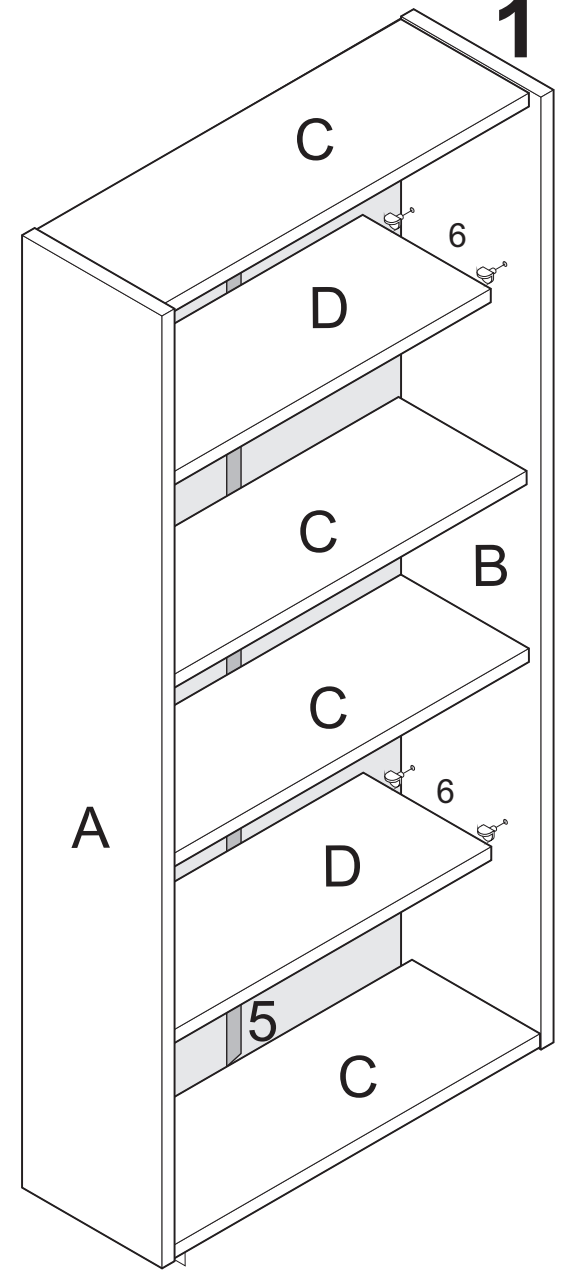
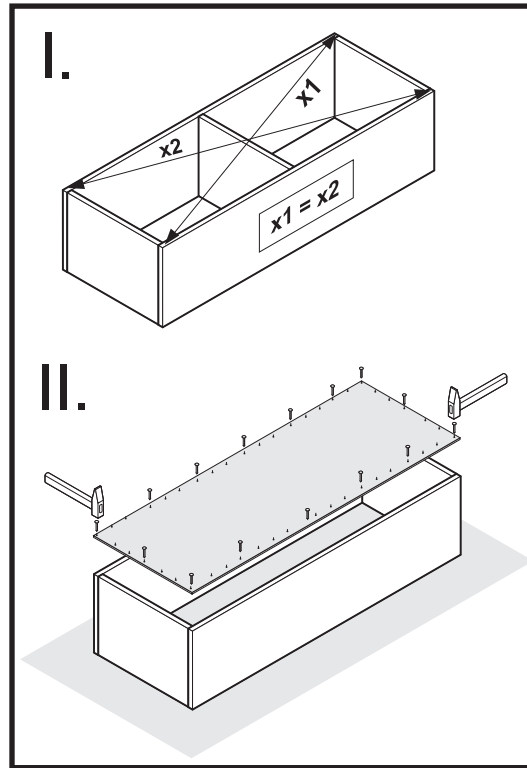
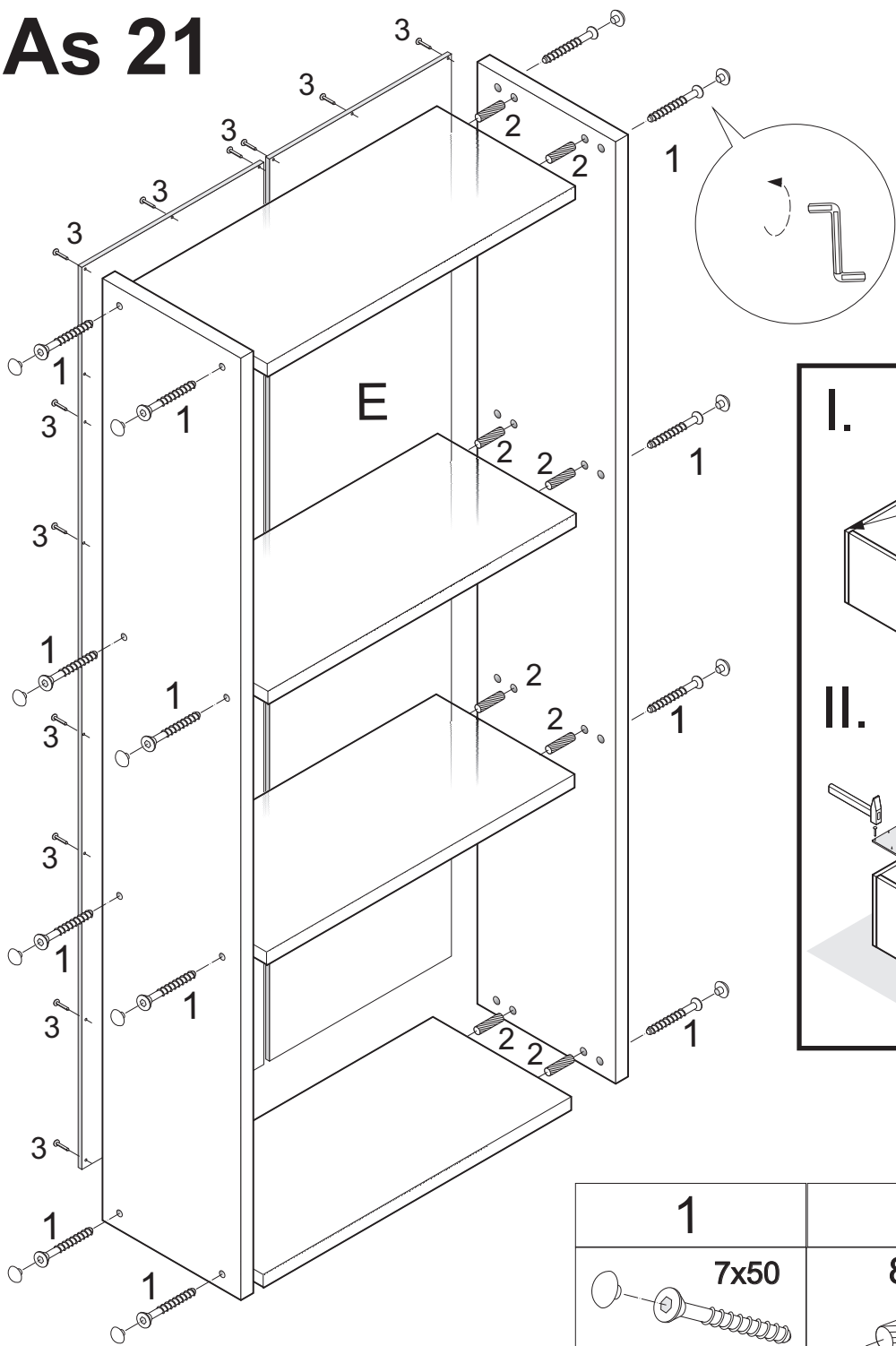


As 21

1 / 2



1	2	3	4	5	6
<p>7x50</p>	<p>8x35</p>				

As 21

