


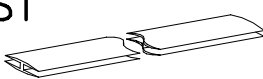
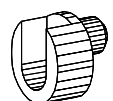
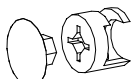
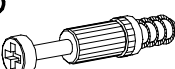

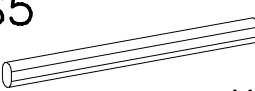
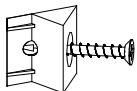


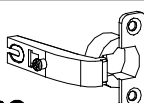
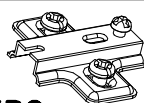
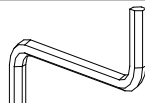
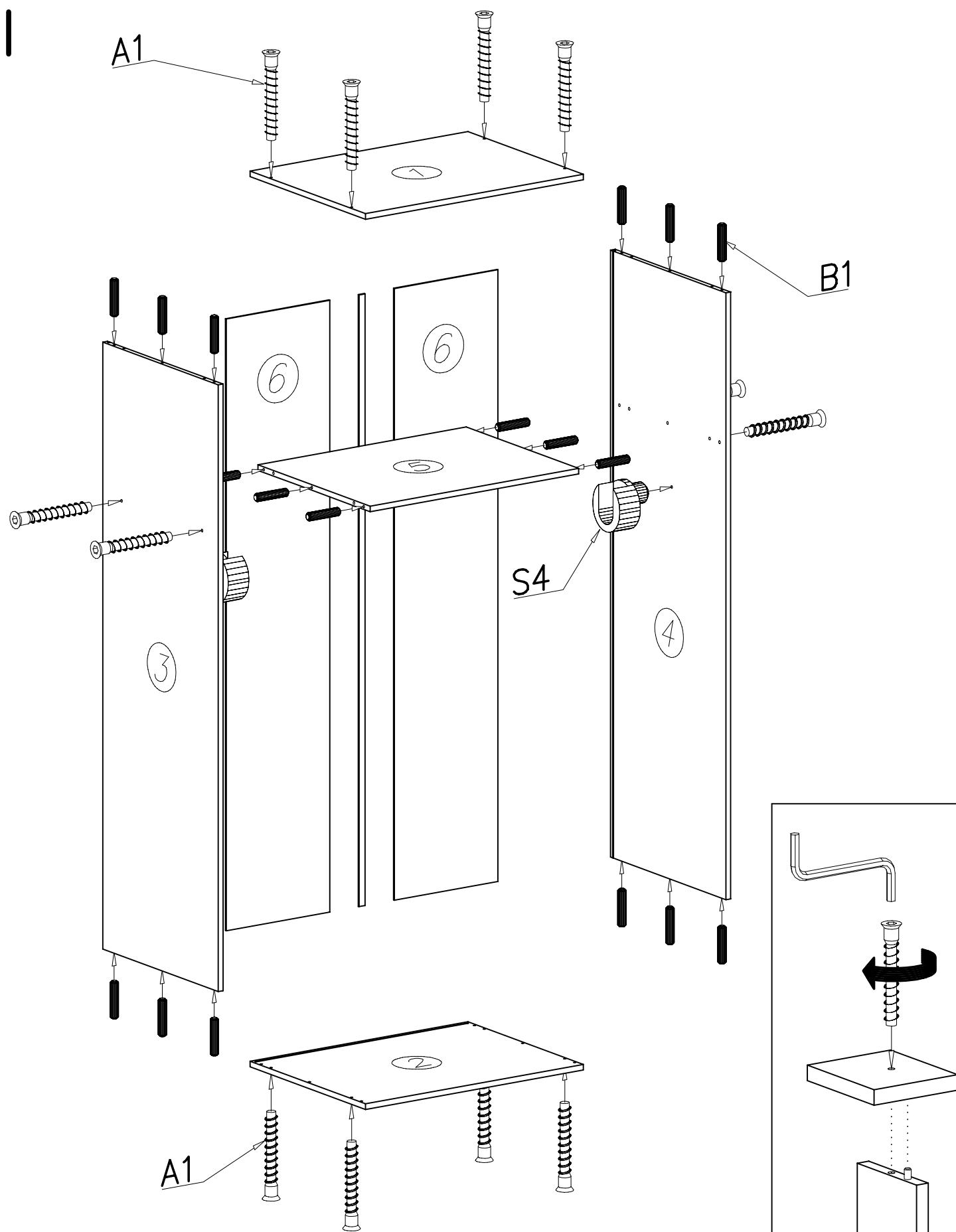
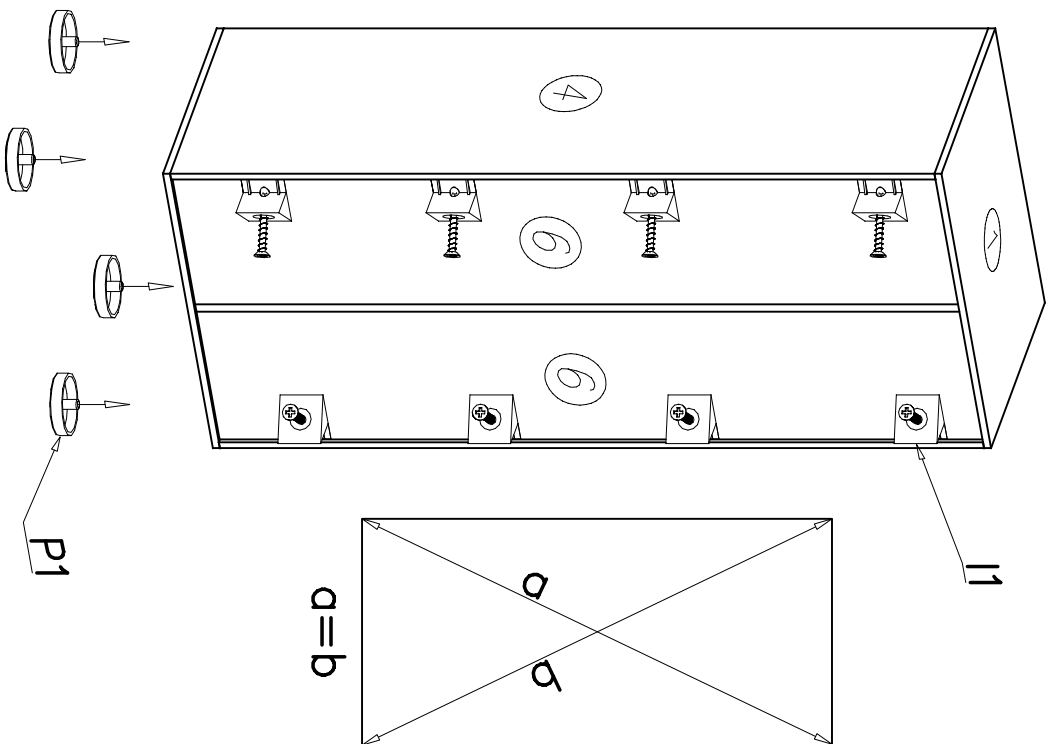


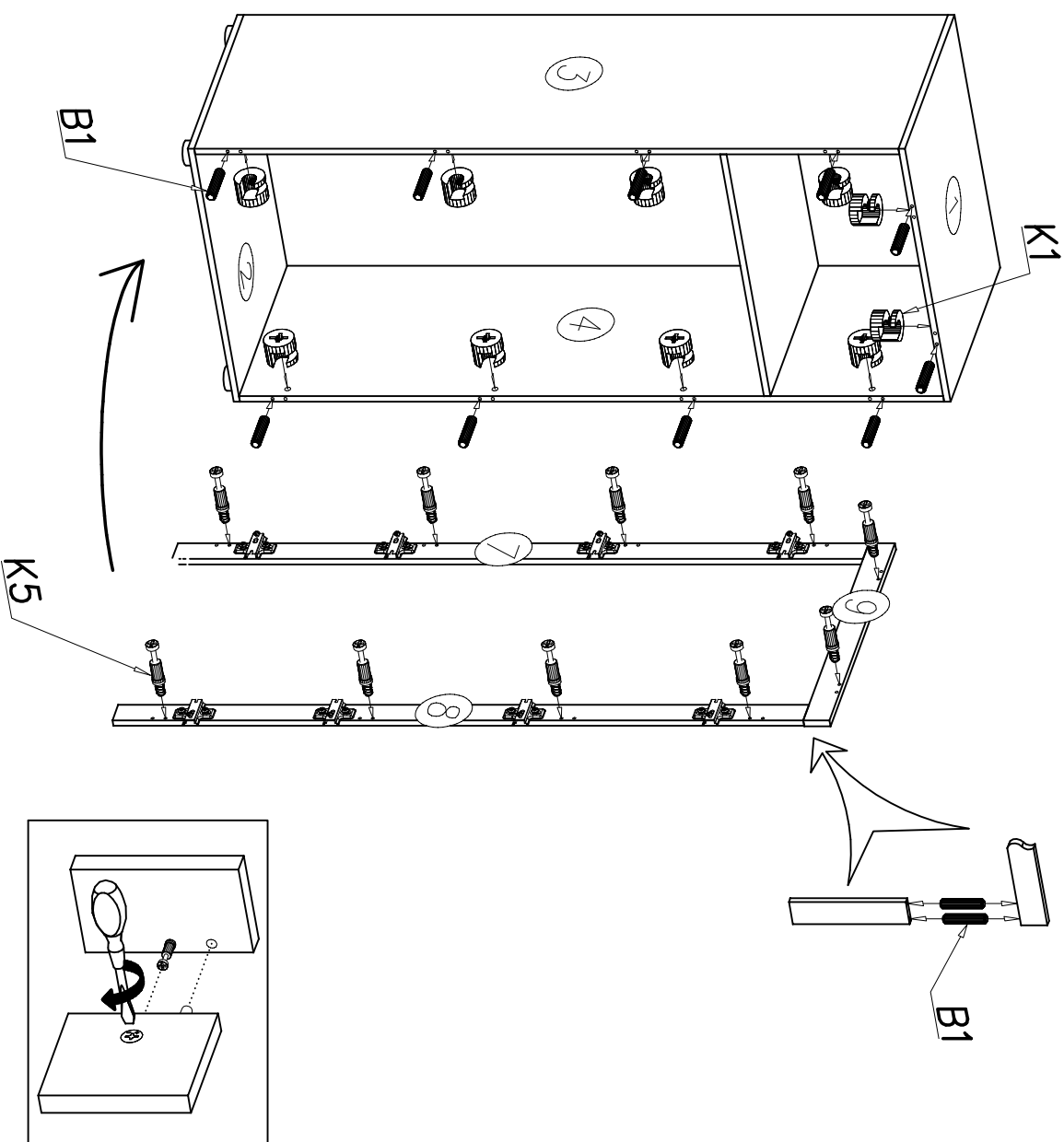
| | | | | |
|--|---|--|---|--|
| G5  4 x 13 x16 | A1  ø7 x 50 x12 | E16  96mm x2 | S1  x1 | S4  x2 |
| K1  ø15 x 12 x10 | K5  x10 | P1  x4 | S5  x1 | I1  x8 |
| G16  4 x 27 x4 | B1  ø8 x 35 x32 | C5  Z35R0 x8 | D5  PZ35R0 x8 | W2  x1 |



II



III



IV

