

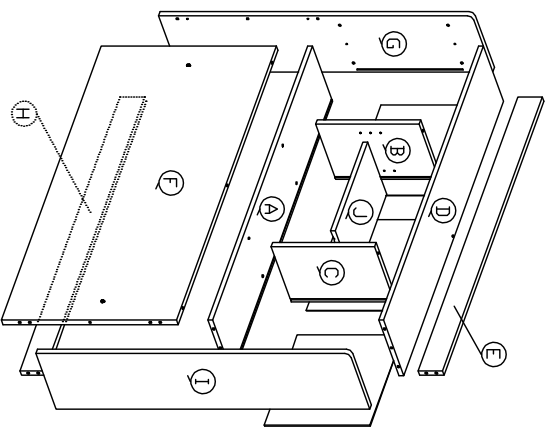
NÁVOD NA MONTÁŽ



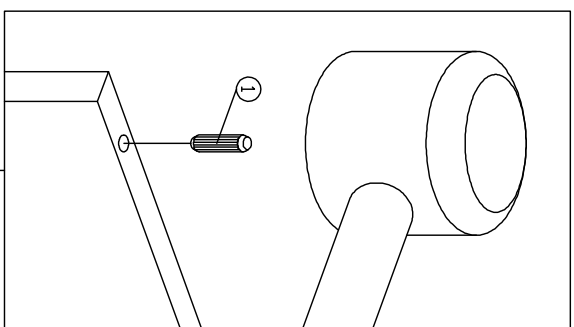
Model : FP - B02

| | | | | | | | | | |
|---|------|---|-----|---|------------|---|---------|---|-----|
| 1 | | 2 | | 3 | | 4 | | 5 | |
| | 1X32 | | 1X4 | | 3 a 3 b | | 10 Sada | | 1X6 |
| | | | | | | | 1X6 | | 1X6 |

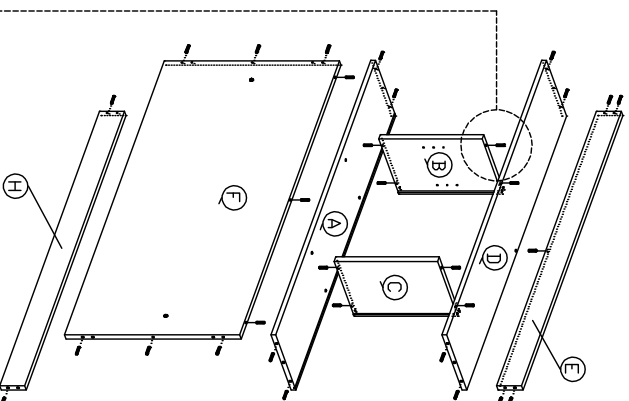
KOMPONENTY



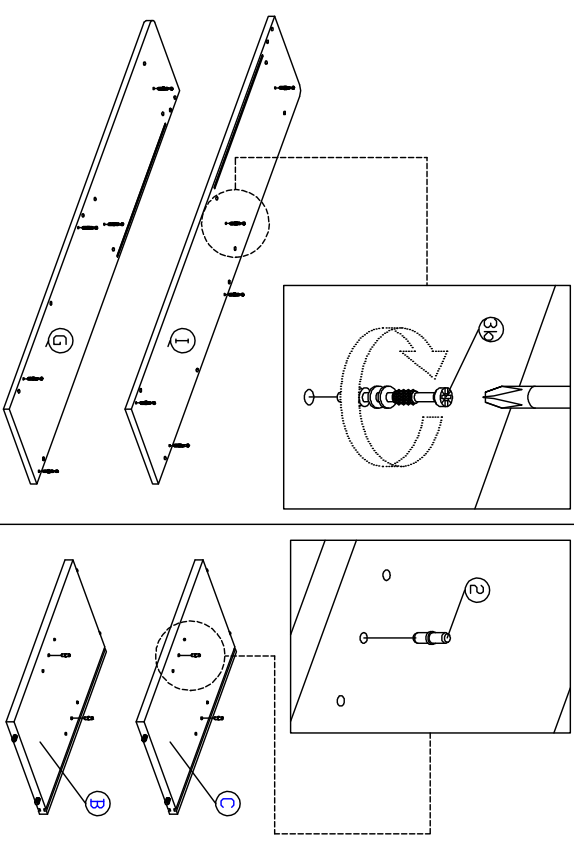
Krok 1



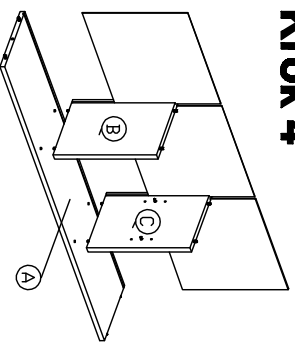
Krok 2



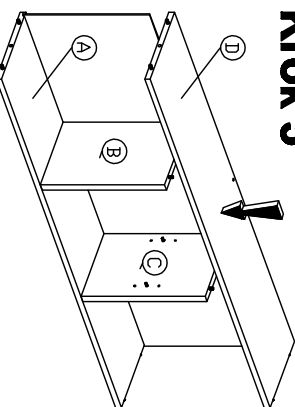
Krok 3



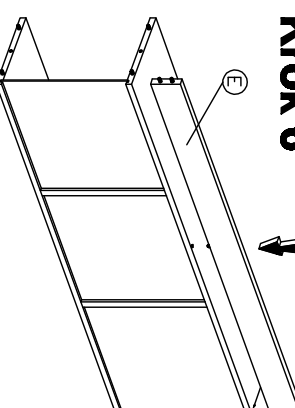
Krok 4



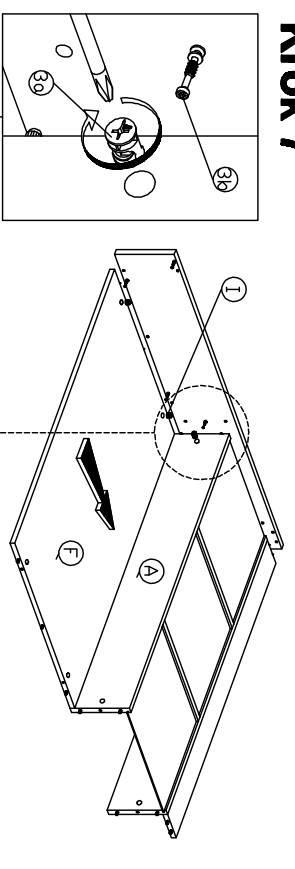
Krok 5



Krok 6



Krok 7






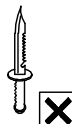


| | | | | | | | |
|-------------------------------------|--------------------------|-------------------------------------|------------|-------------------------------------|-------|-------------------------------------|----------------------|
| <input checked="" type="checkbox"/> | | <input checked="" type="checkbox"/> | | <input checked="" type="checkbox"/> | | <input checked="" type="checkbox"/> | |
| | měkčou suchou handričkou | | chemickími | | teplo | | uživatelem suché |
| | | | | | | | opatrně zpracovávané |
| | | | | | | | nůž |

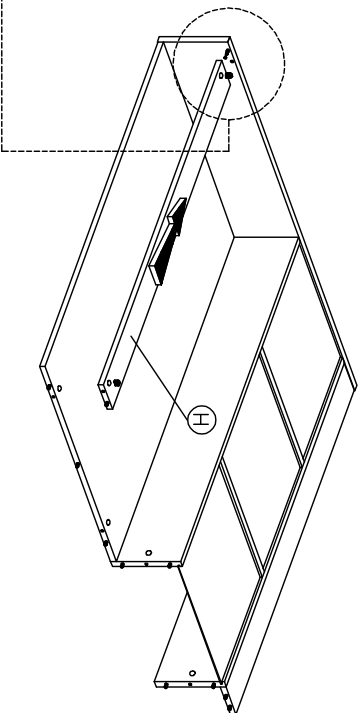
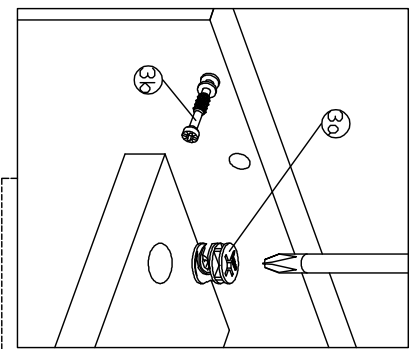
NÁVOD NA MONTÁŽ



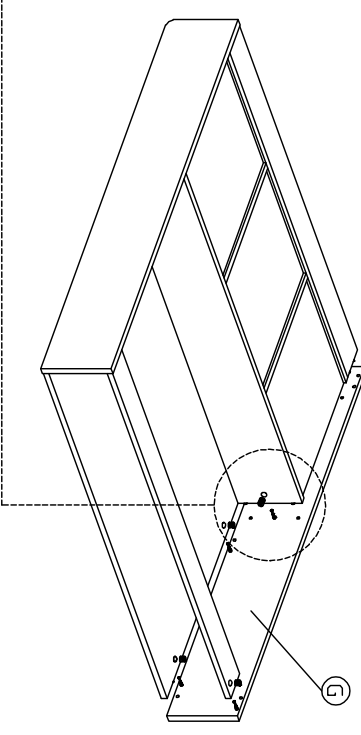
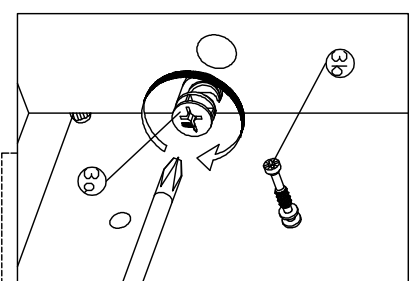
Model : FP - B02

| | | | | | | | | | | | | | | | | | |
|---------------------------------------------------------------------------------------|-------------------------------------|-------------------------------------|---------------------------------------------------------------------------------------|--------------------------|------------------|---------------------------------------------------------------------------------------|-------------------------------------|--------------|---------------------------------------------------------------------------------------|-------------------------------------|------------------------|---------------------------------------------------------------------------------------|-------------------------------------|----------------------------------|---------------------------------------------------------------------------------------|--------------------------|------------|
|  | <input checked="" type="checkbox"/> | měkrou sáčhou handrickou |  | <input type="checkbox"/> | chemickéj |  | <input checked="" type="checkbox"/> | teplo |  | <input checked="" type="checkbox"/> | uchovávať suché |  | <input checked="" type="checkbox"/> | opatrné zaobchádzanie |  | <input type="checkbox"/> | nož |
|---------------------------------------------------------------------------------------|-------------------------------------|-------------------------------------|---------------------------------------------------------------------------------------|--------------------------|------------------|---------------------------------------------------------------------------------------|-------------------------------------|--------------|---------------------------------------------------------------------------------------|-------------------------------------|------------------------|---------------------------------------------------------------------------------------|-------------------------------------|----------------------------------|---------------------------------------------------------------------------------------|--------------------------|------------|

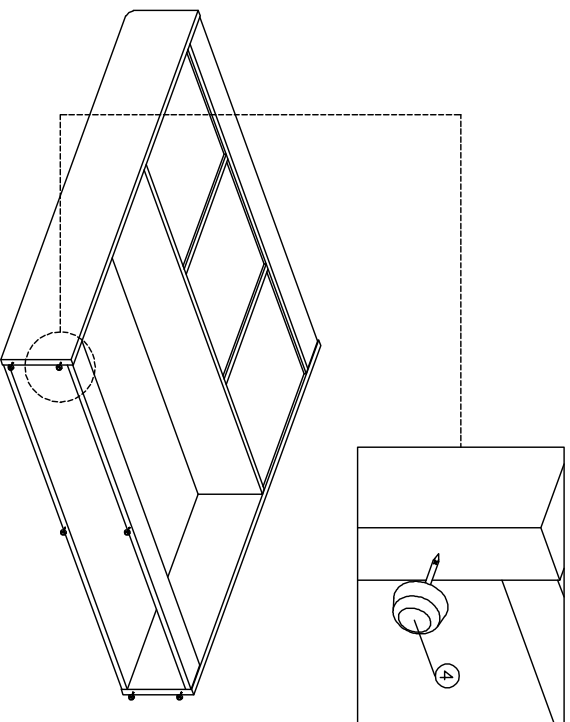
Krok 8



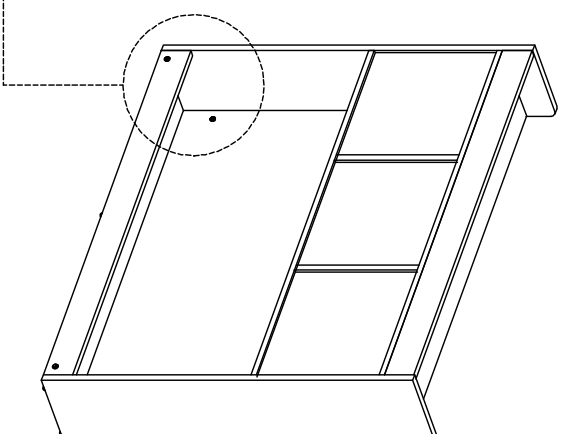
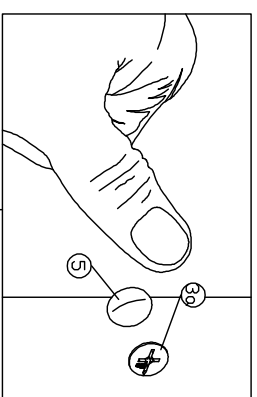
Krok 9



Krok 10



Krok 11



Krok 12

