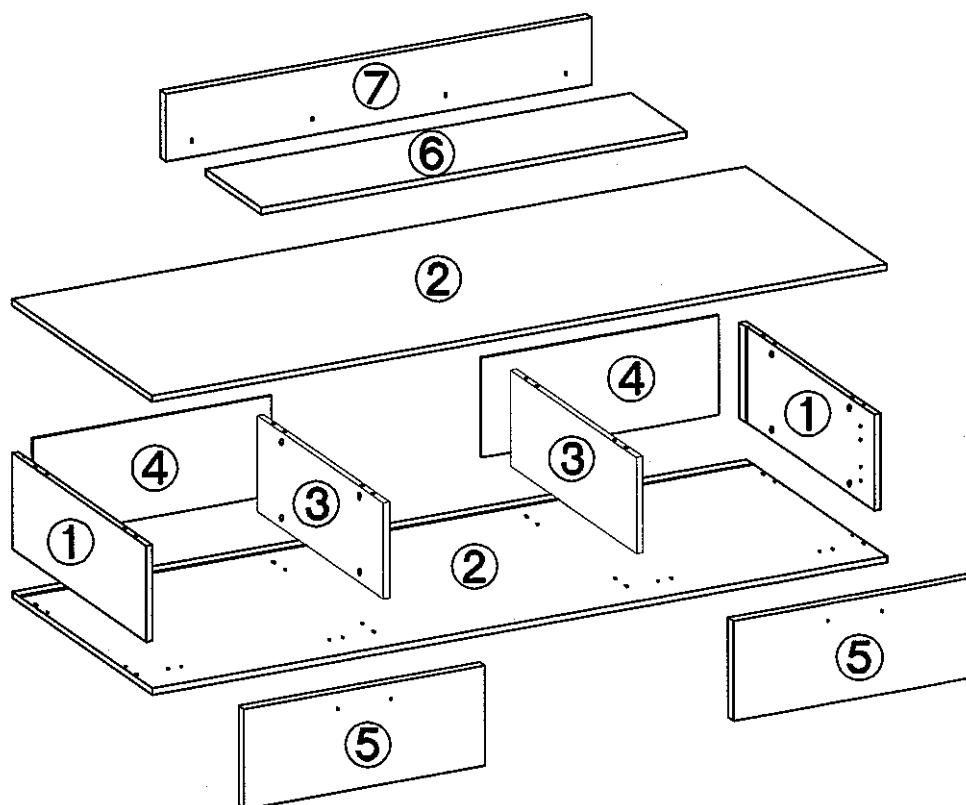
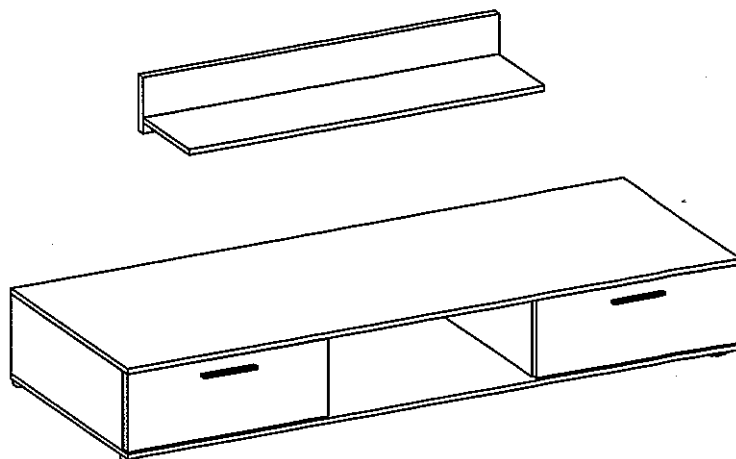


SALESA

Typ 318



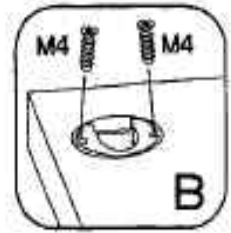
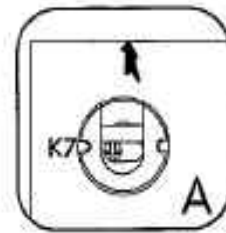
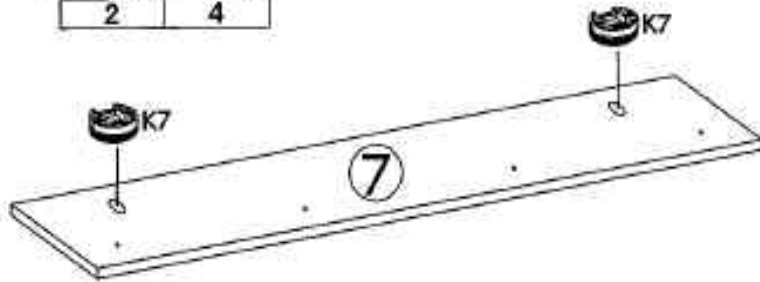
1B	L-128mm	4.0x30mm
	2	4

2B	H-0	135/16mm	3.5x13mm
	4	4	8

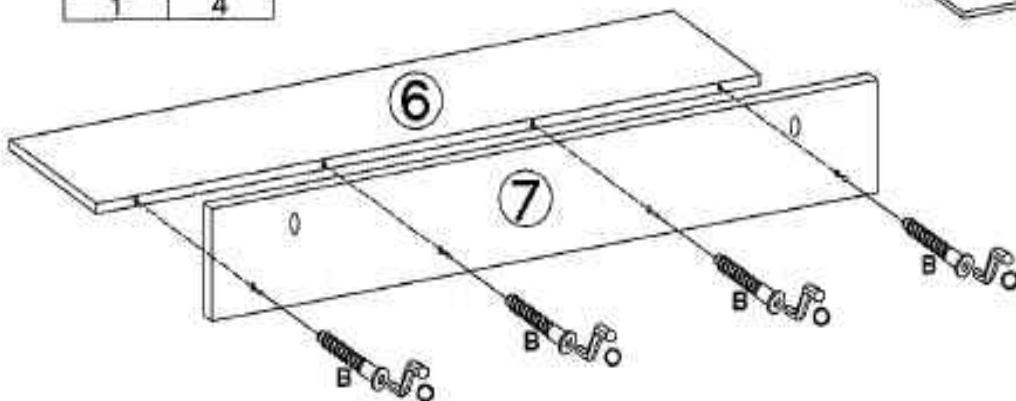
3B		6.3x9mm		6.4 x 50mm	5/45mm	10x50mm	15/12mm	18x30mm	L-20mm	4.0x25mm
	2	4	1	4	2	2	16	16	16	6

F10	3.5x13mm				3.0x16mm		
	6	6	2	4	16	10	4

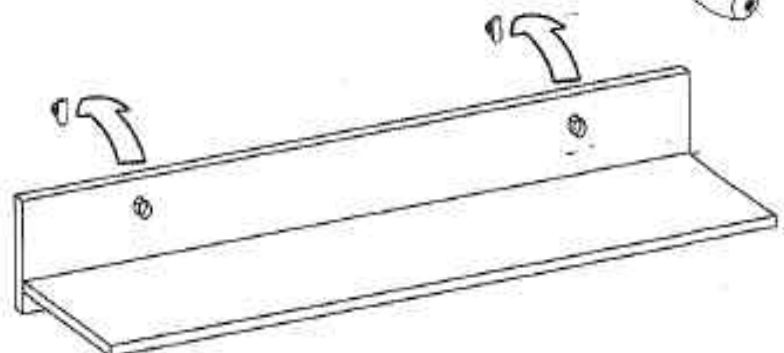
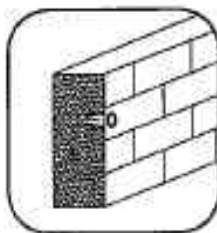
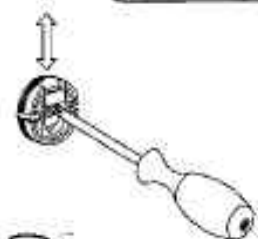
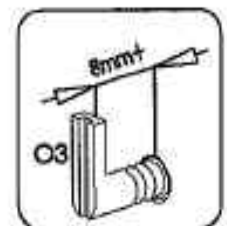
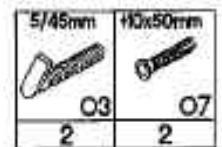
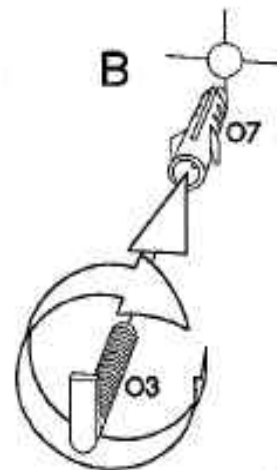
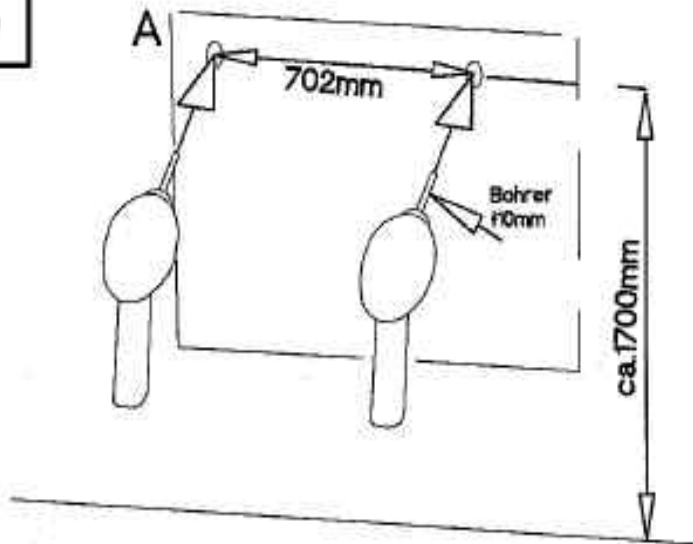
1






2



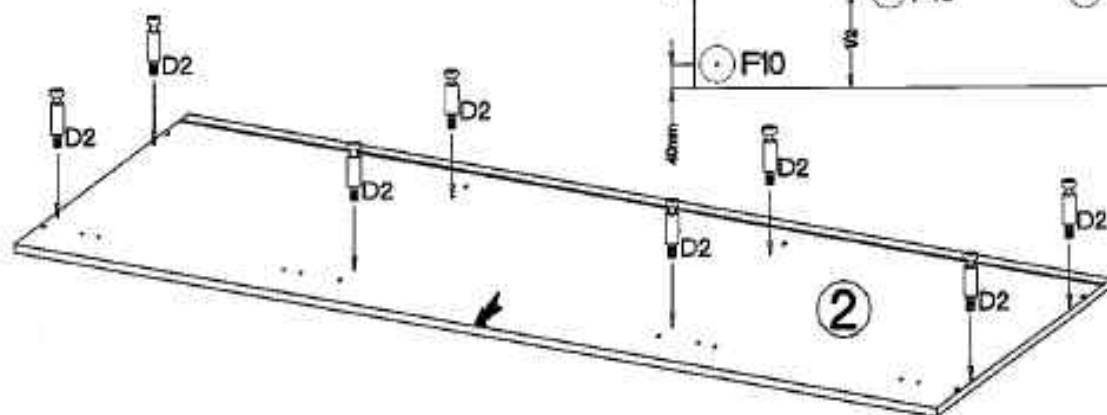
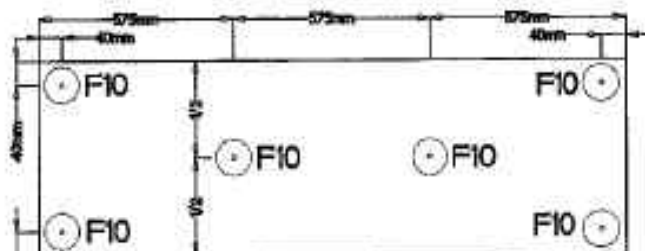
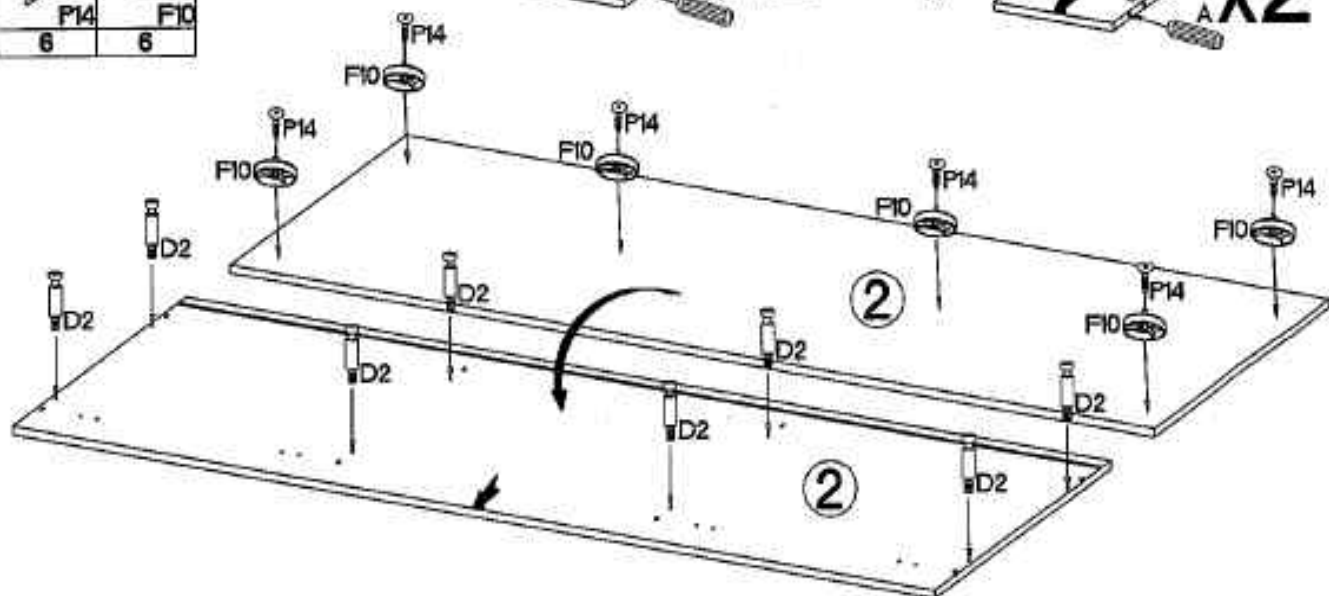
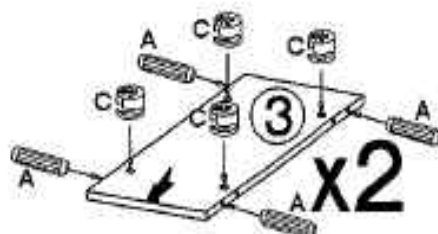
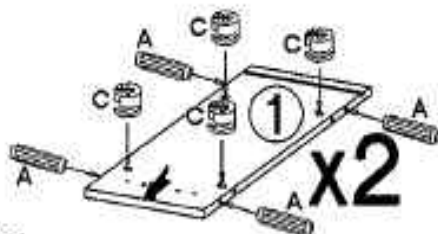
3



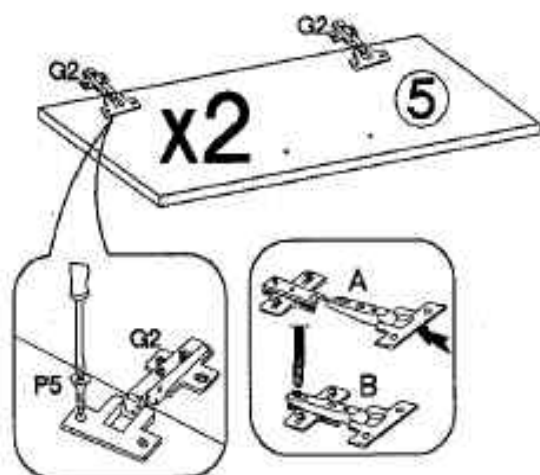
4





 4x15mm C	 4x30mm A	 L-20mm D2
16	16	16

 14.0x25mm P14	 F10
6	6

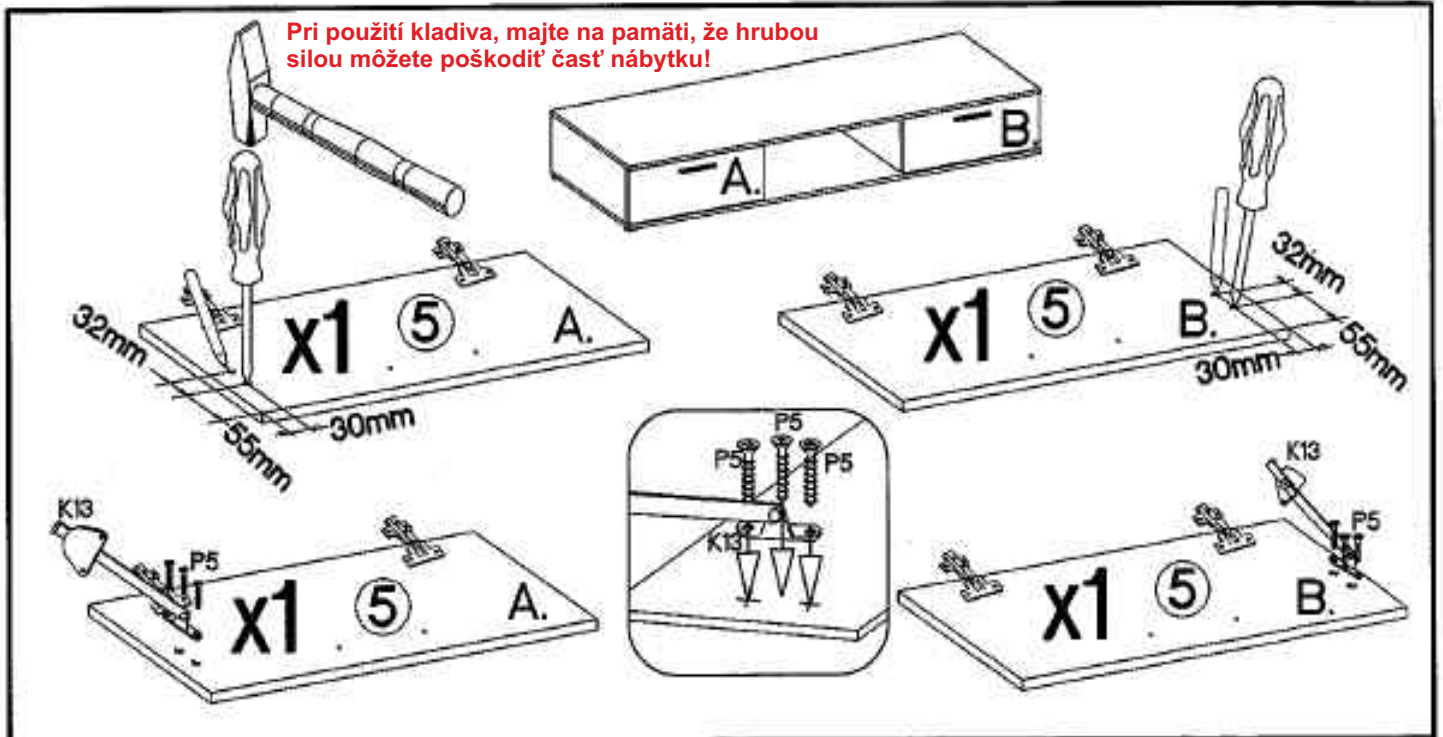


5

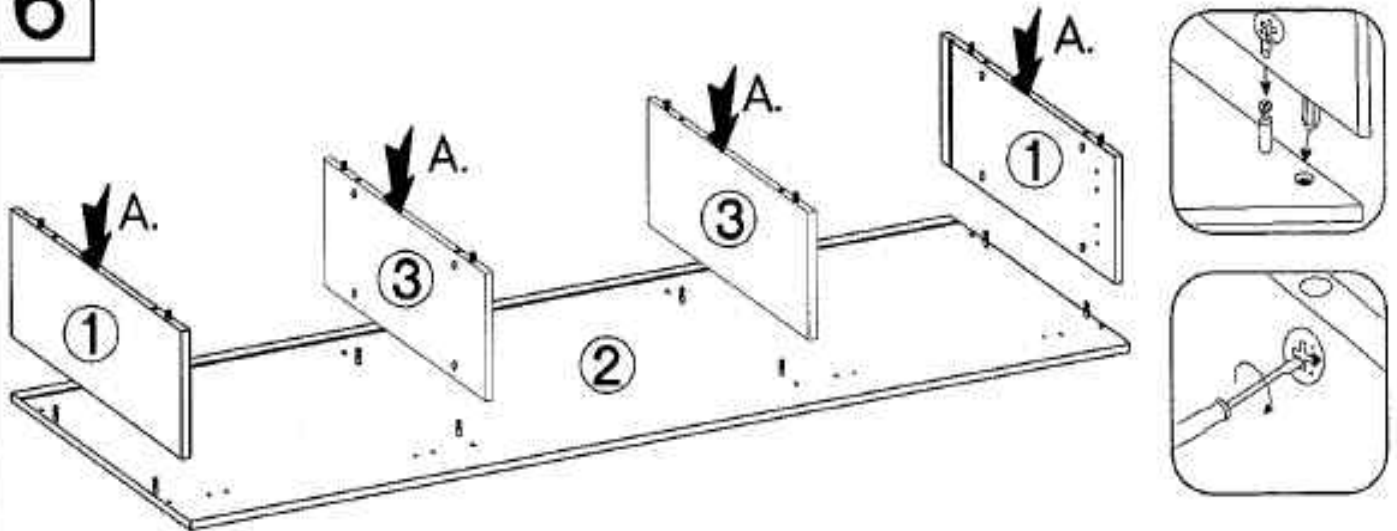


 H	 135/16mm G2	 13.5x30mm P5	 K13
4	4	14	2

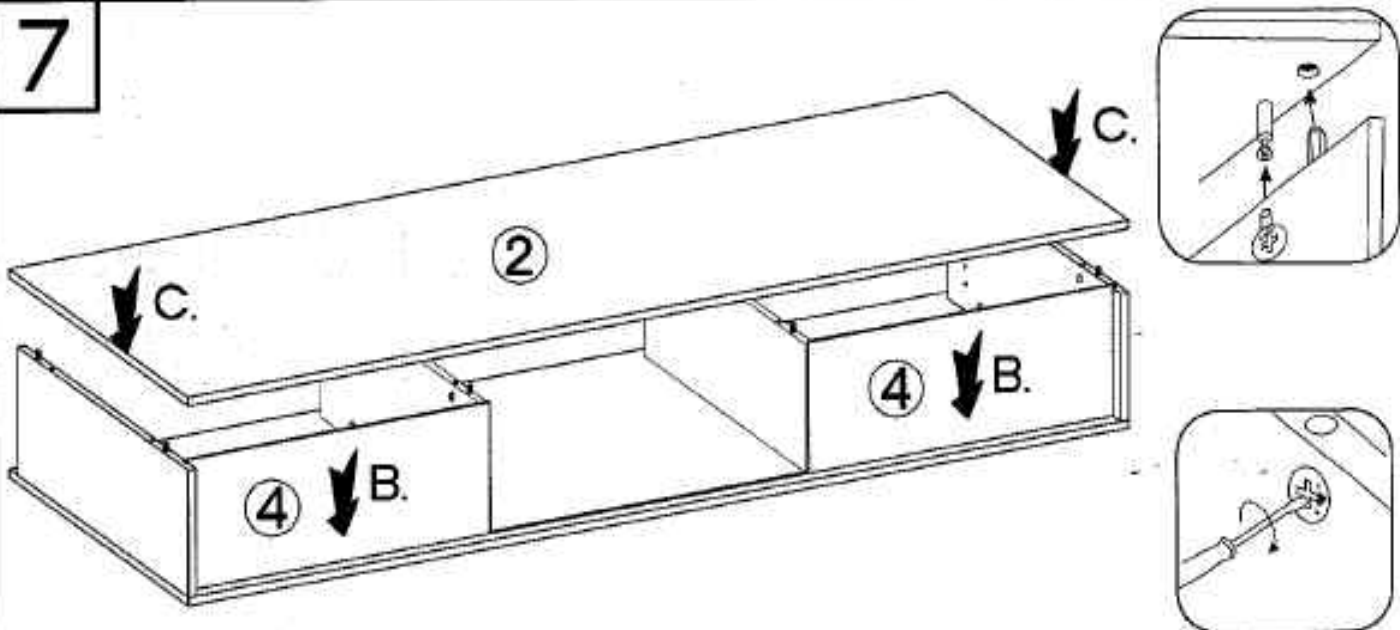
Pri použití kladiva, majte na paměti, že hrubou silou můžete poškodit část nábytku!





6

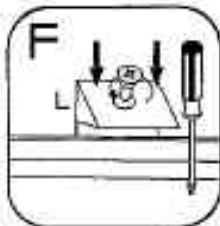
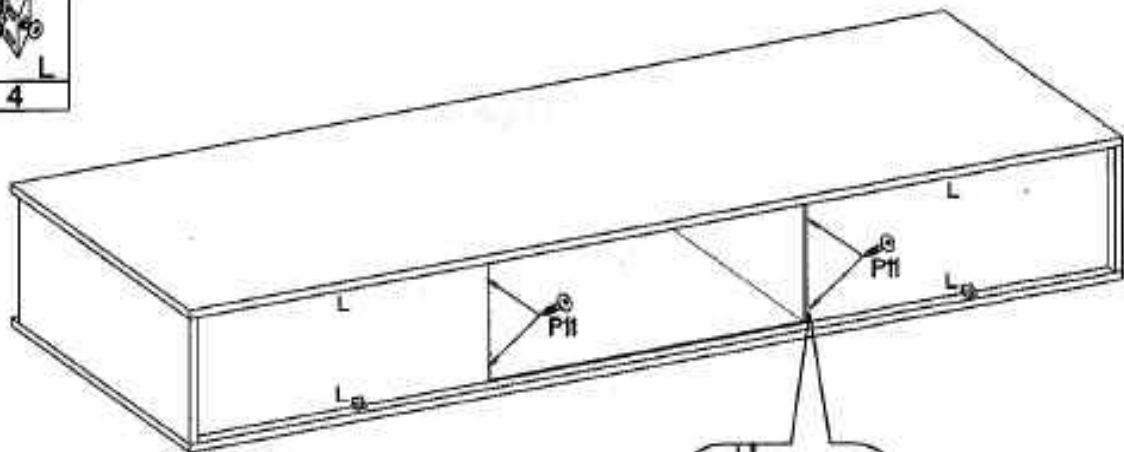
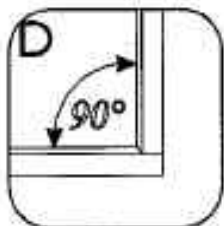


7



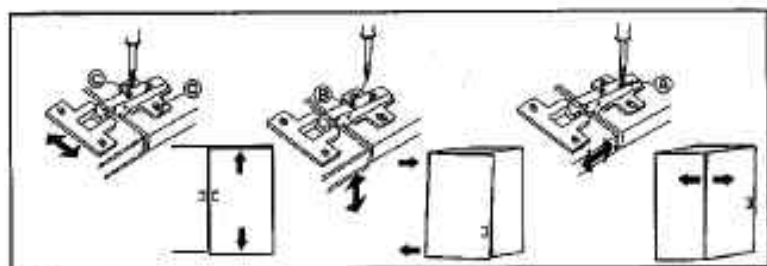
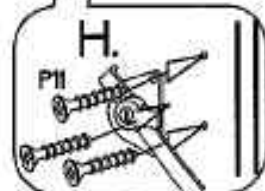
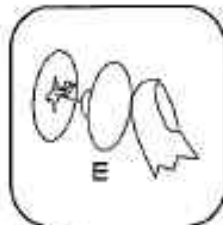
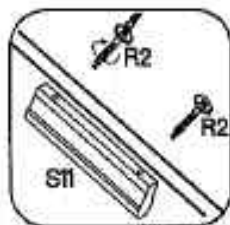
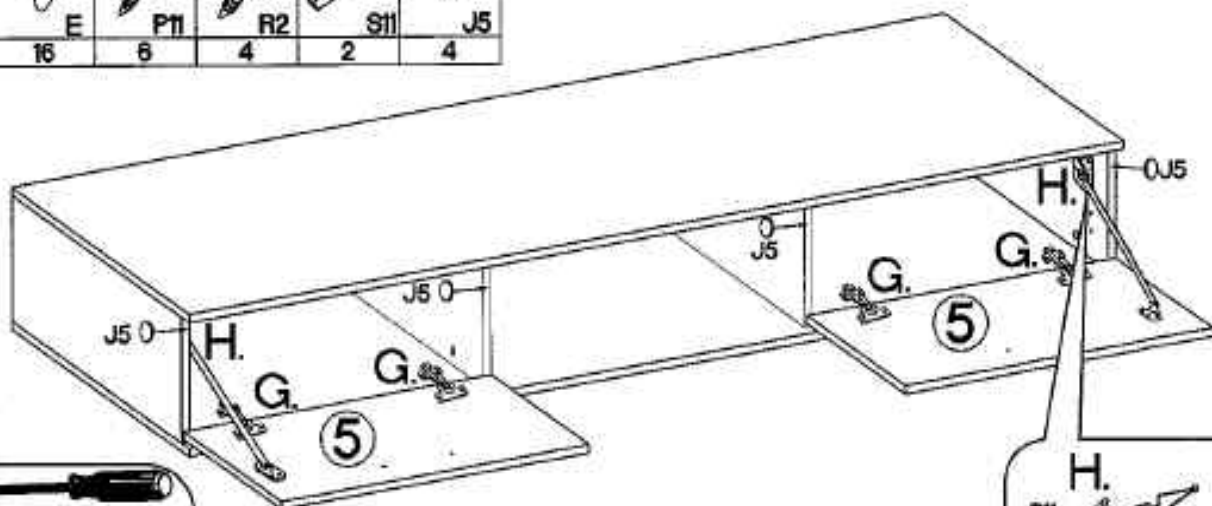
8

	
P11	L
4	4



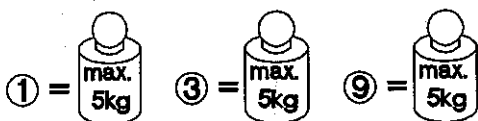
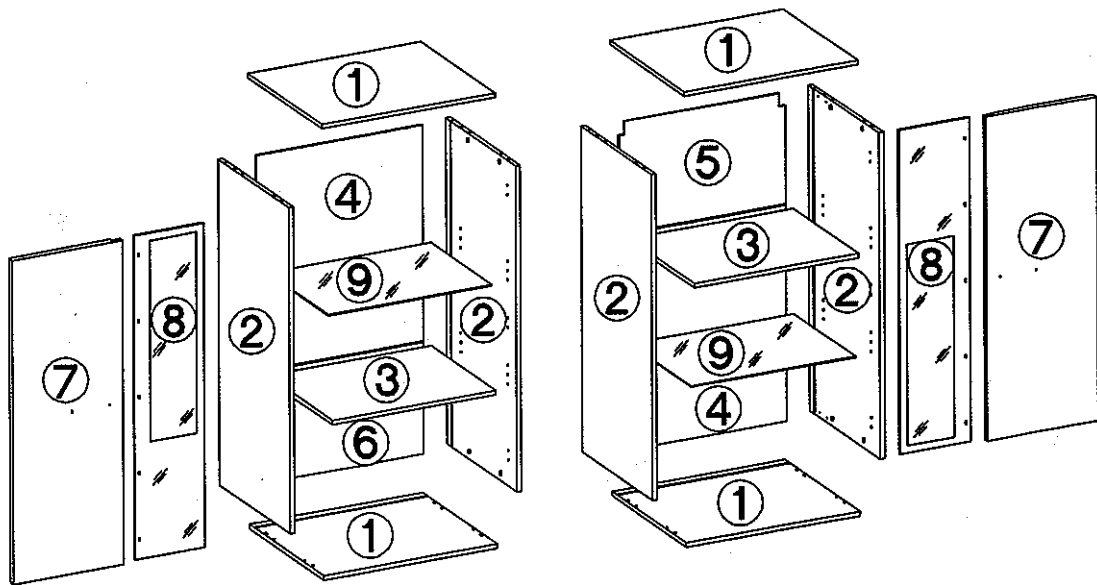
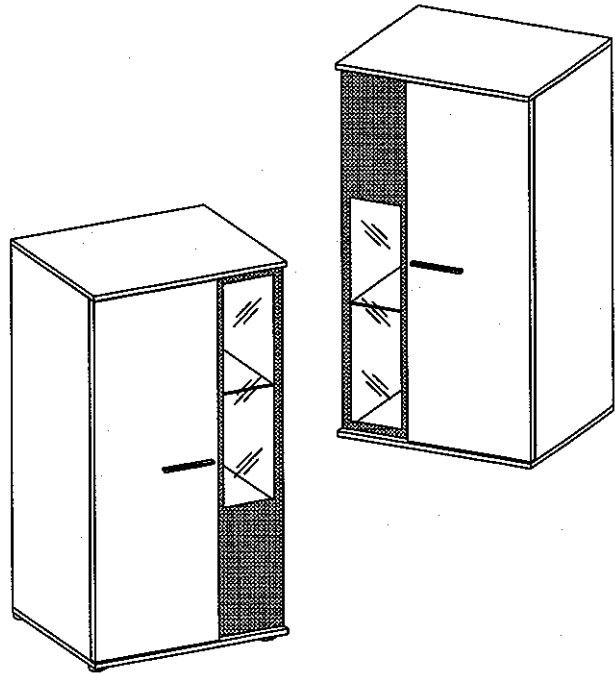
9

				
E	P11	R2	S11	J5
16	6	4	2	4



SALESA

Typ 031



 1B	L=128mm S11 2		t4.0x30mm R2 4		 2B	H=0 H 6		t35/0mm G 6		t3.5x13mm P5 12		 J5 4									
	t15/12mm C 24		t8x30mm A 16			L=20mm D2 24		t4.0x25mm P14 4		 F10 4			 J7 10		 J15 10		t4.0x12mm R5 10		0,05 O11 1		 L 12
t3.0x20mm P7 8		 L2 8		 E 24		t5/16mm J12 8		 K 2		t4.0x30mm P8 4		t3.5x13mm P5 1		 L9 1		t10x50mm O7 5		t5.0x60mm P12 4		 K16 2	

1

H=0 H	+35/0mm G	+3.5x13mm P5
6	6	6
J7	J15	+4.0x12mm R5
10	10	10
O1		
1		

x2

1h

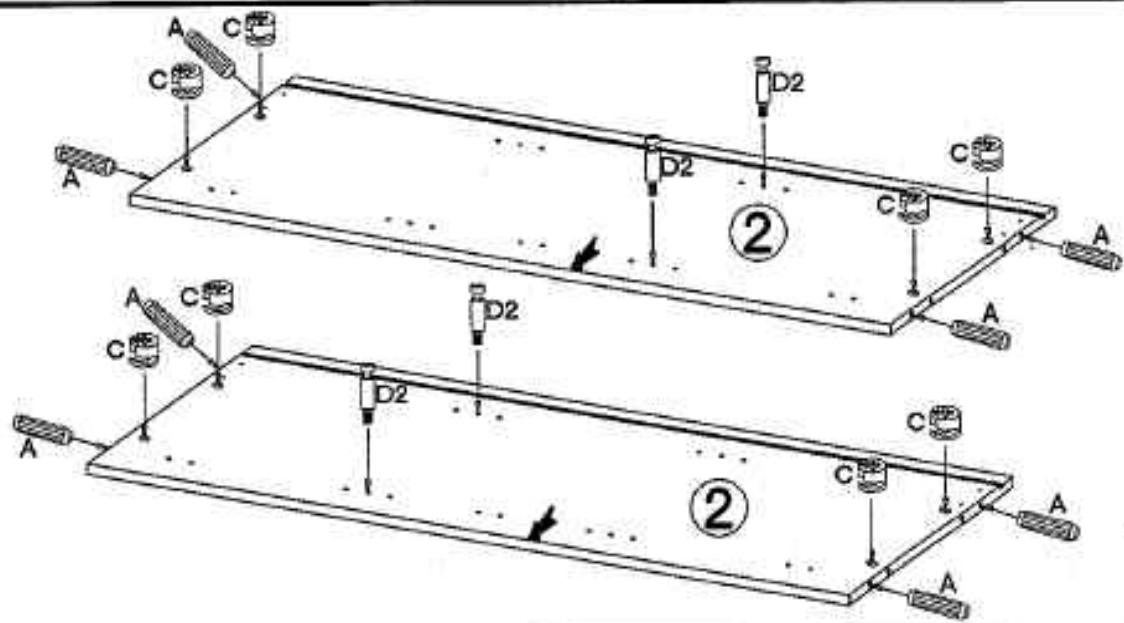
FARBE

x2

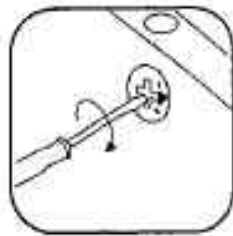
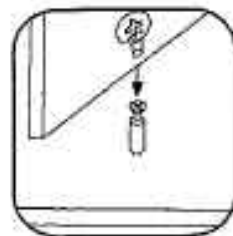
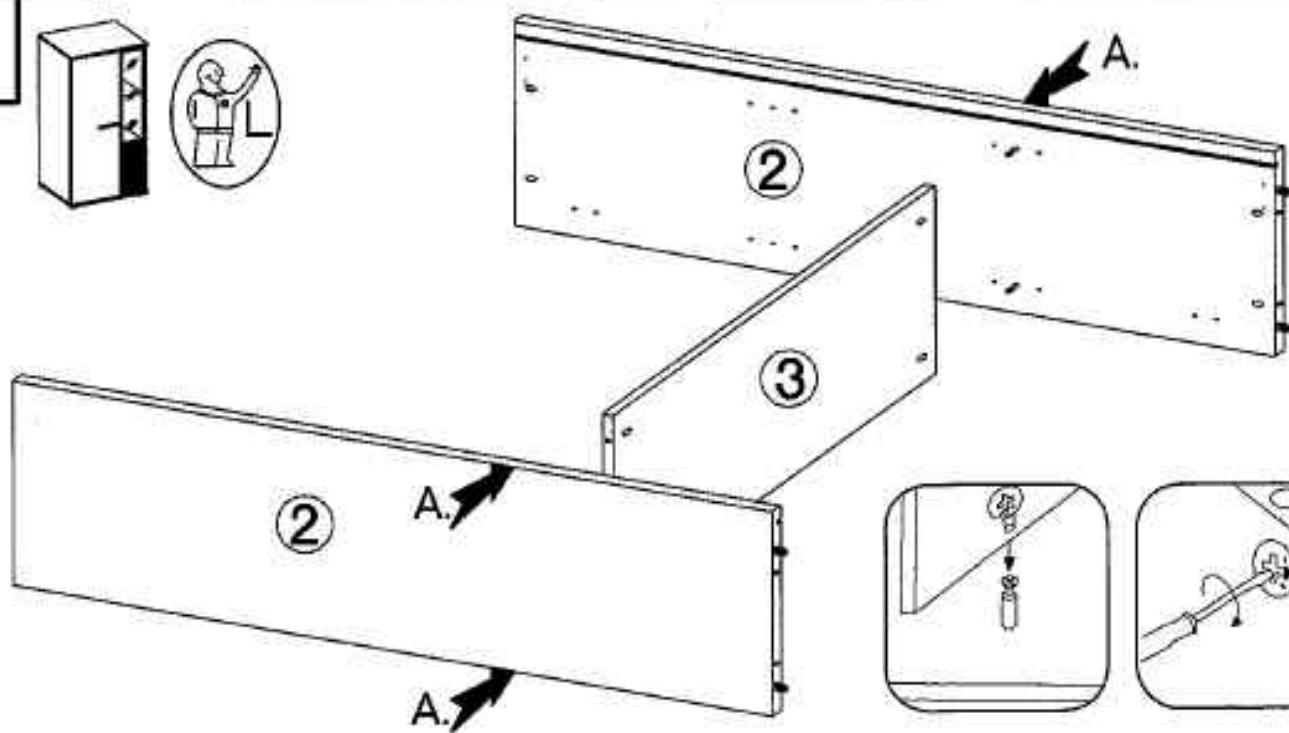
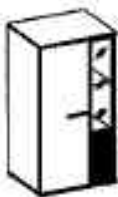
2

+15/12mm C	+8x30mm A	L=20mm D2	+4.0x25mm P14	F10
12	8	12	4	4

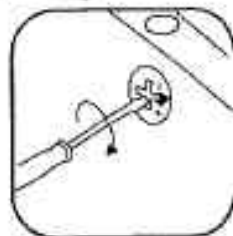
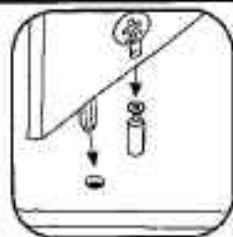
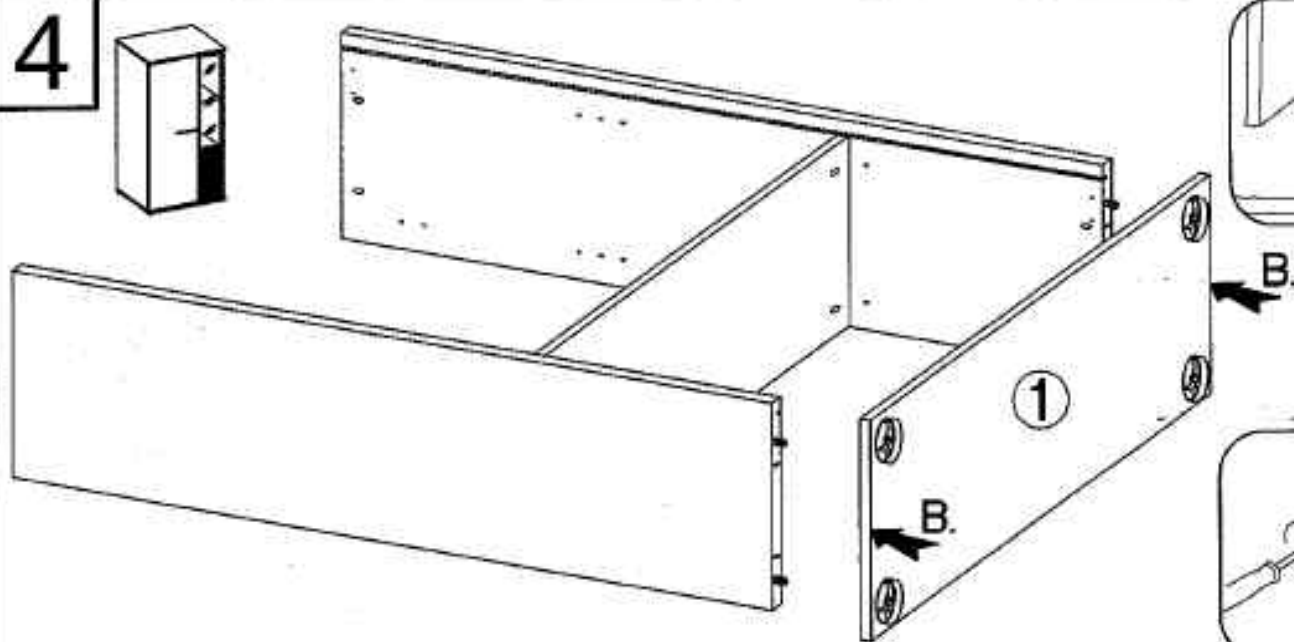
40mm	40mm
F10	F10
40mm	40mm
F10	F10



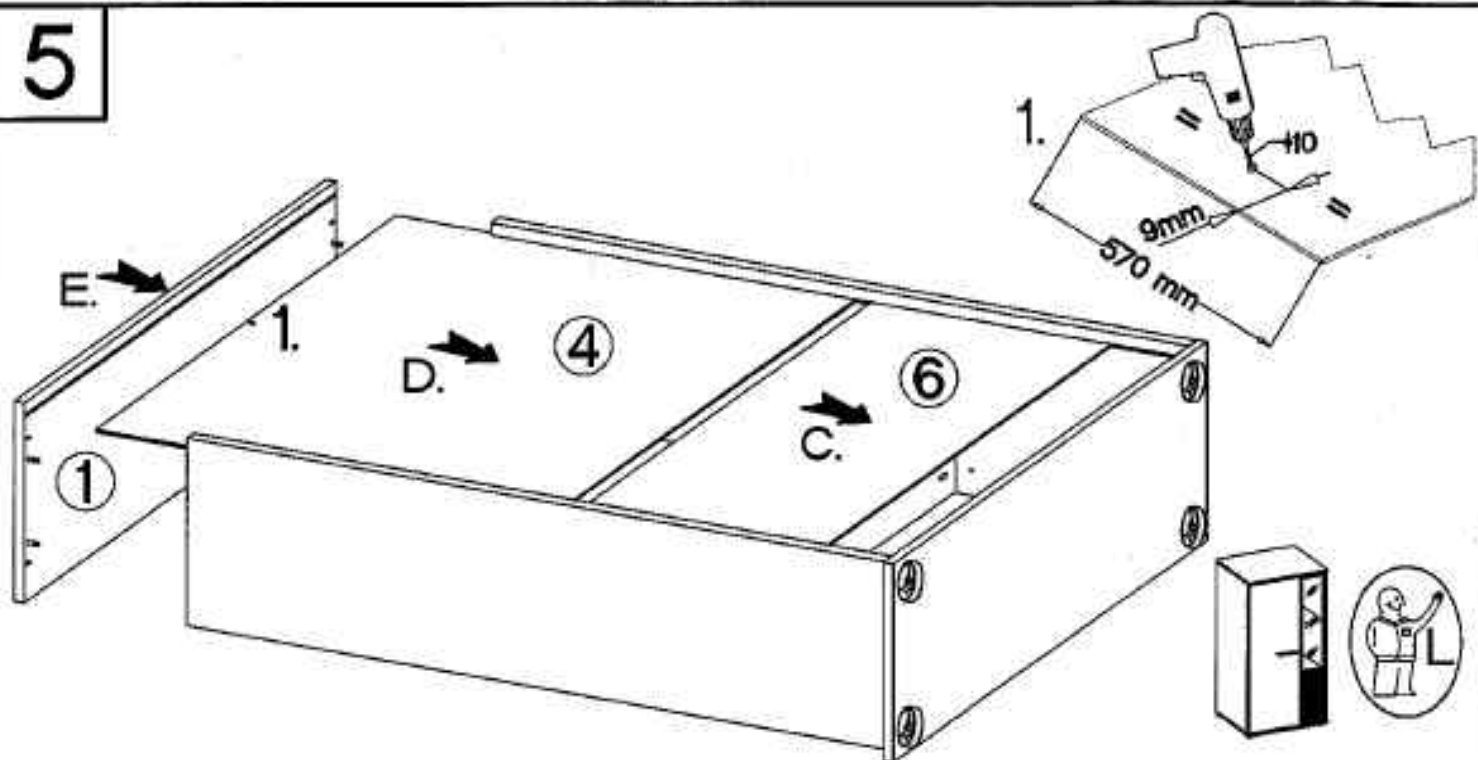
3



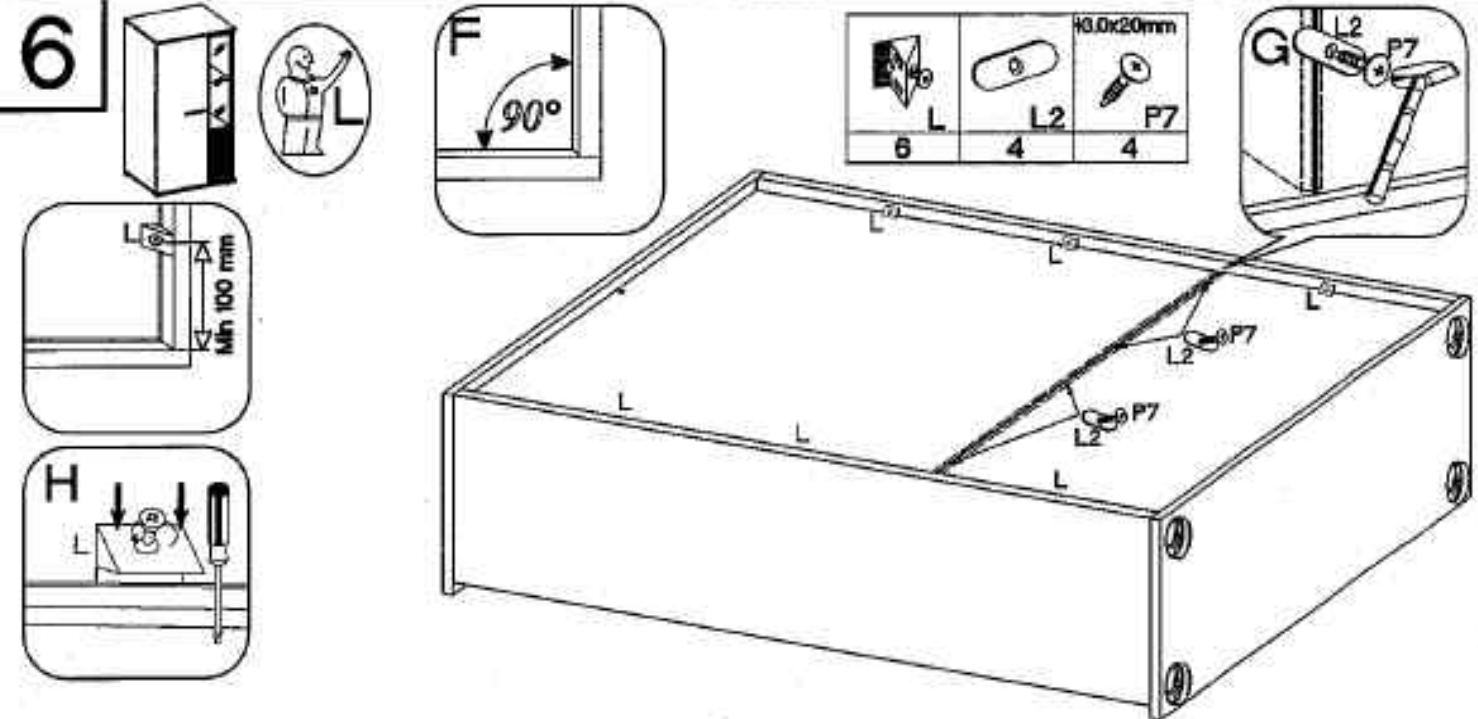
4



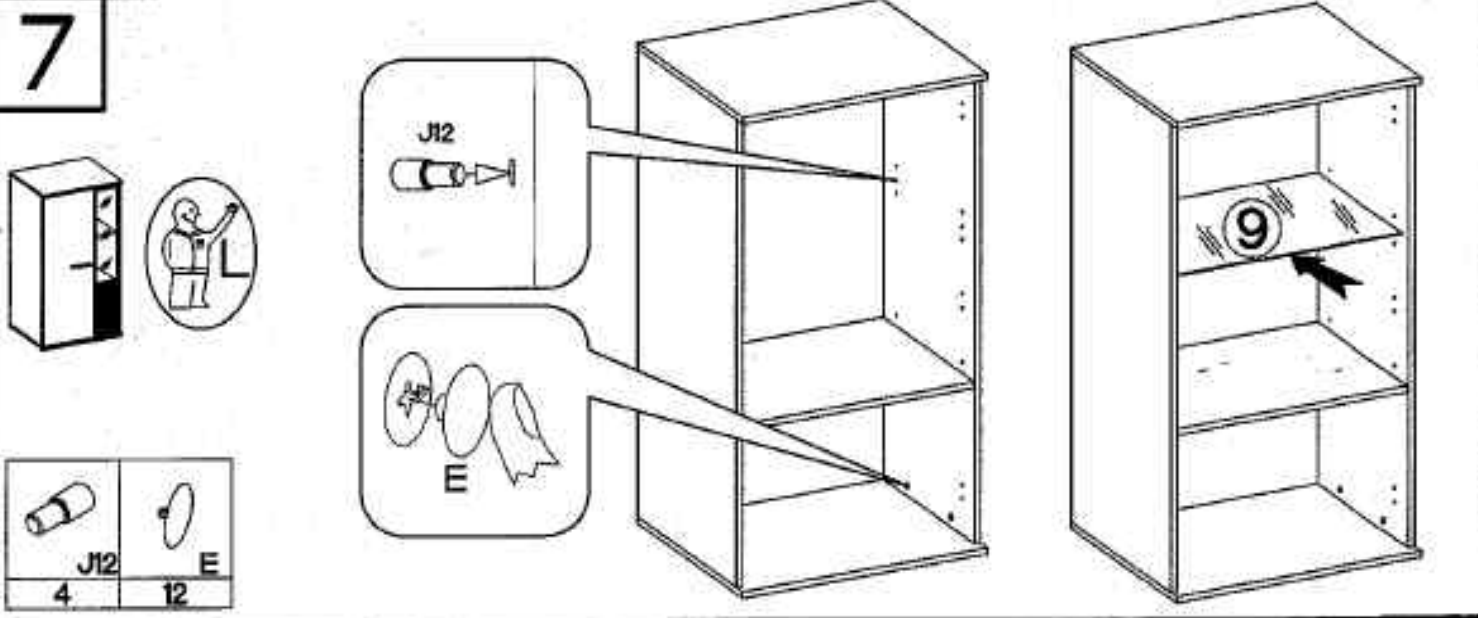
5



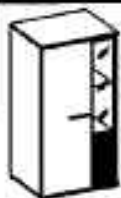
6



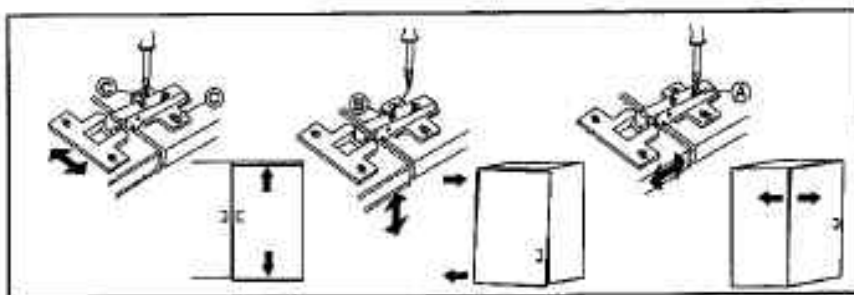
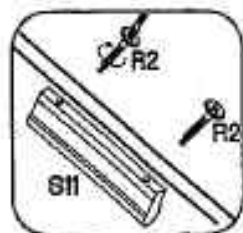
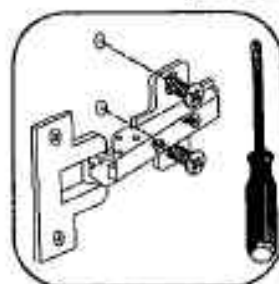
7



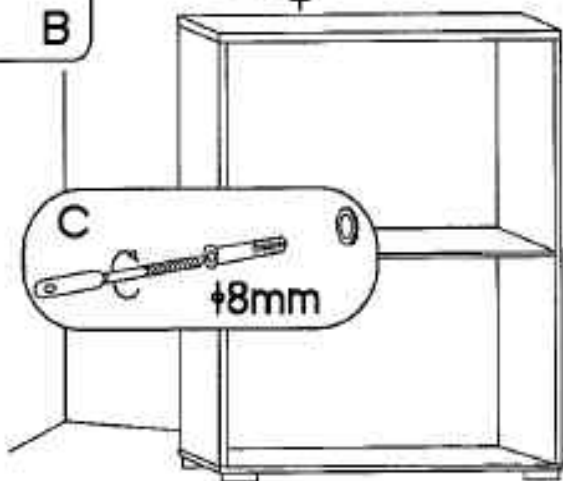
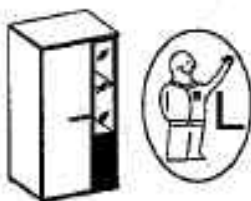
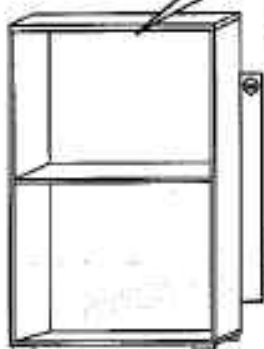
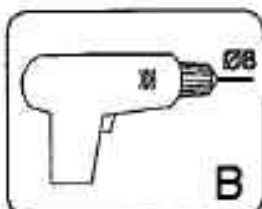
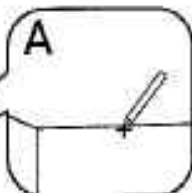
8



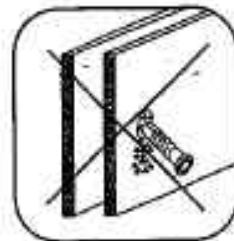
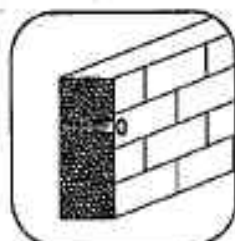
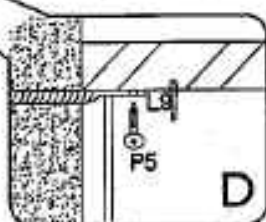
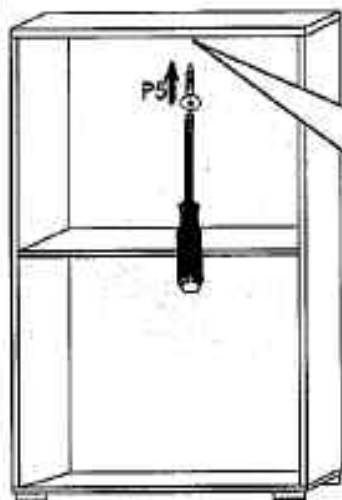
J5	R2	S11
2	2	1



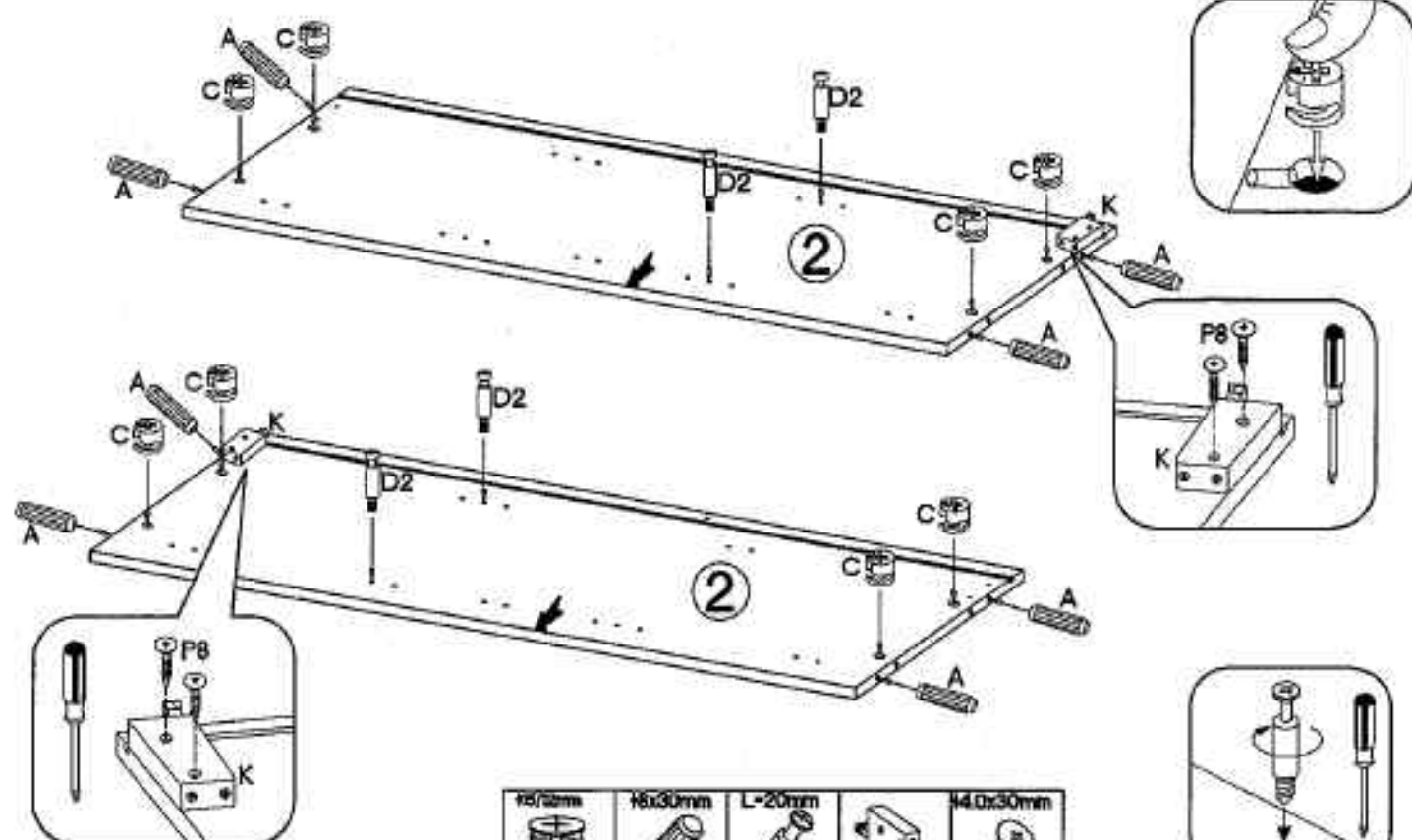
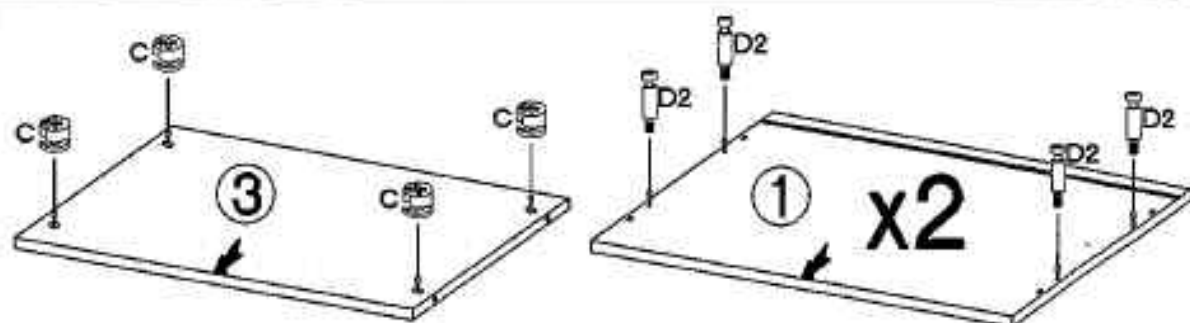
9



L9	P5	O7
1	1	1

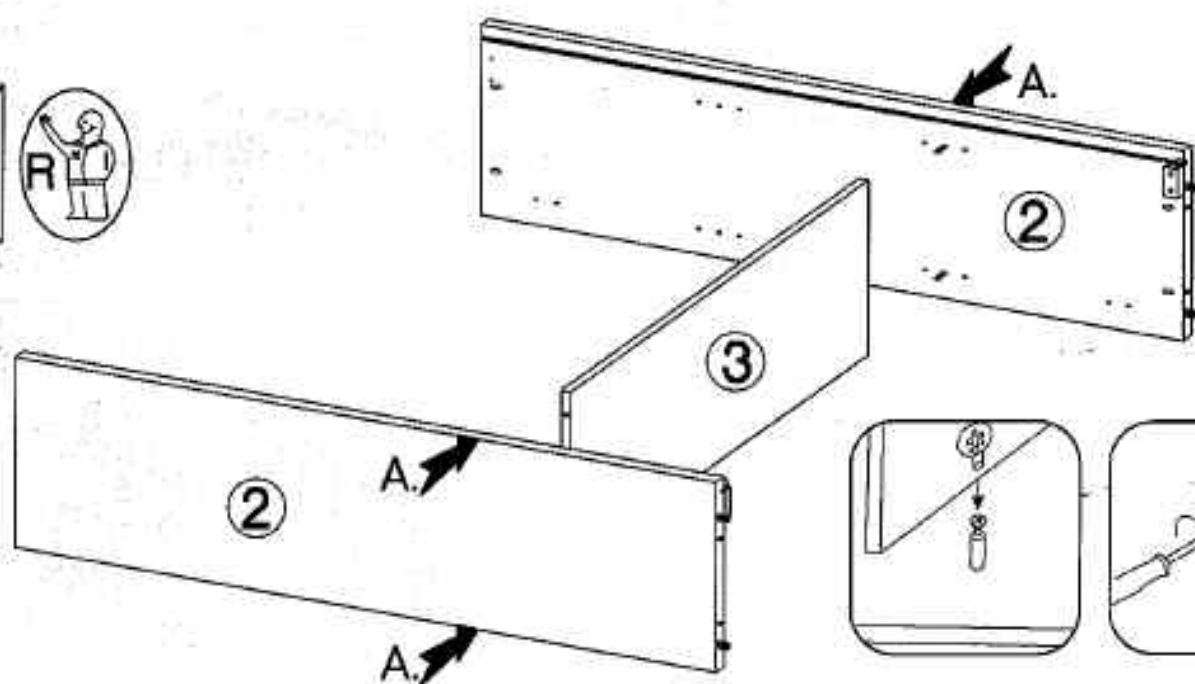
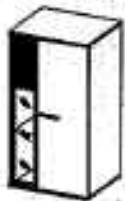


10

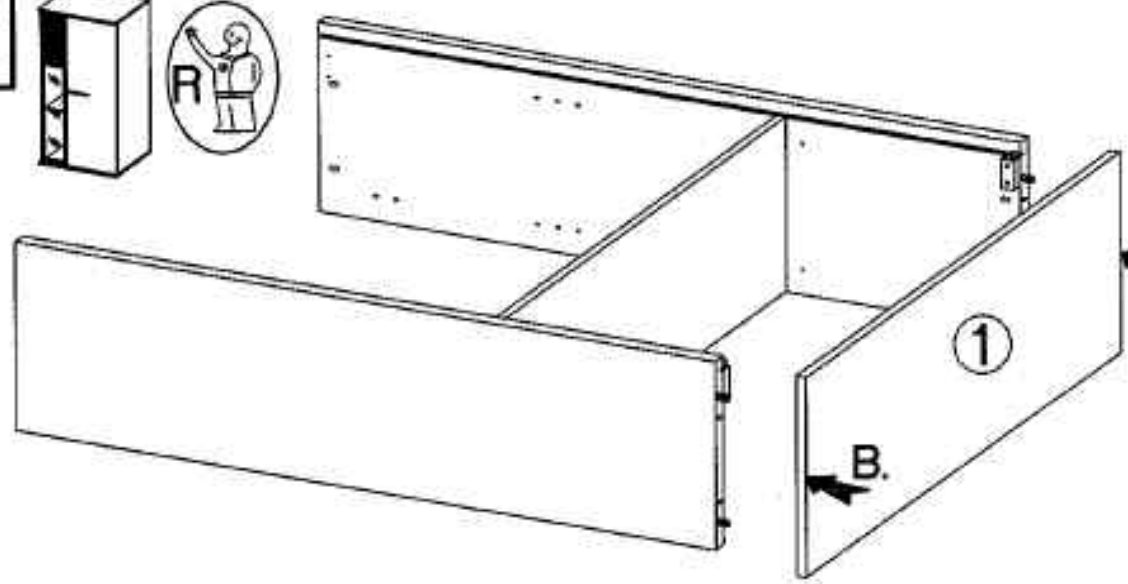
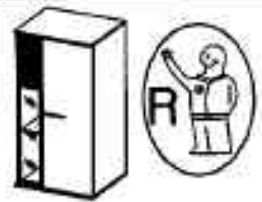


16/25mm	16x30mm	L-20mm		14.0x30mm
C	A	D2	K	P8
12	8	12	2	4

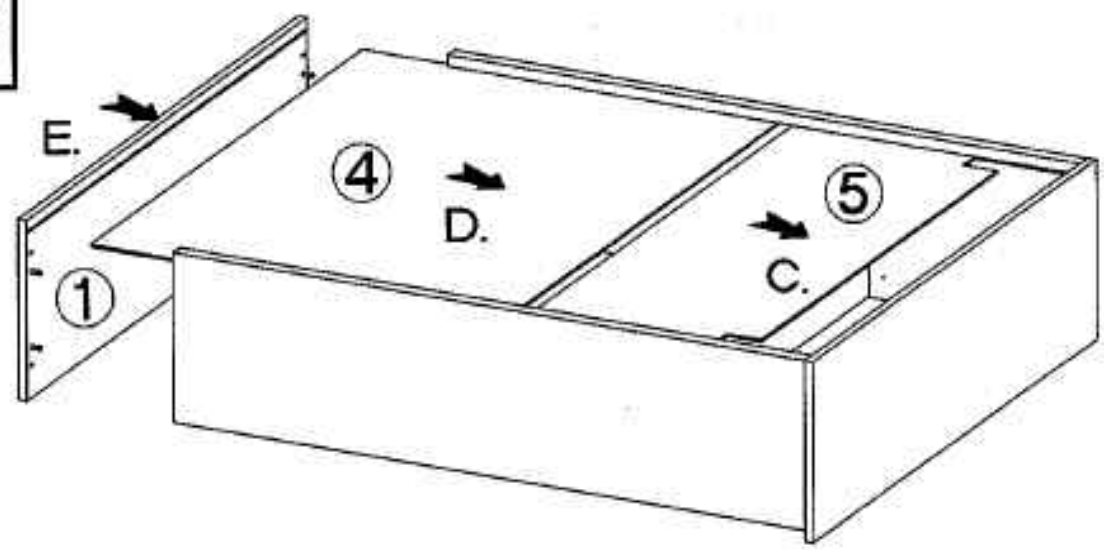
11



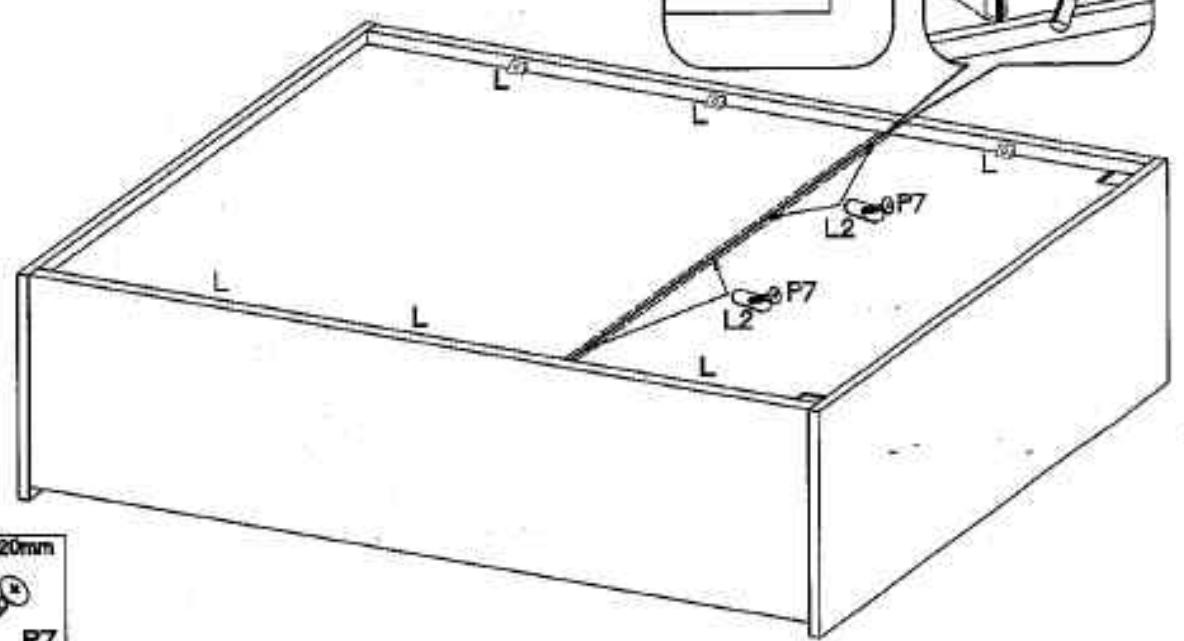
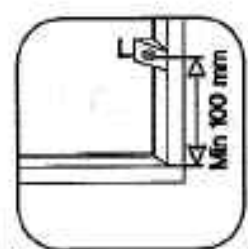
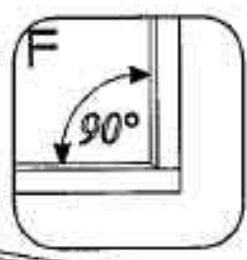
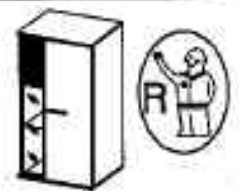
12



13

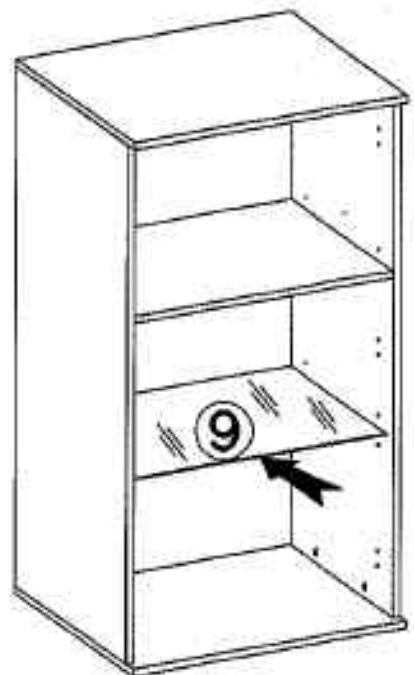
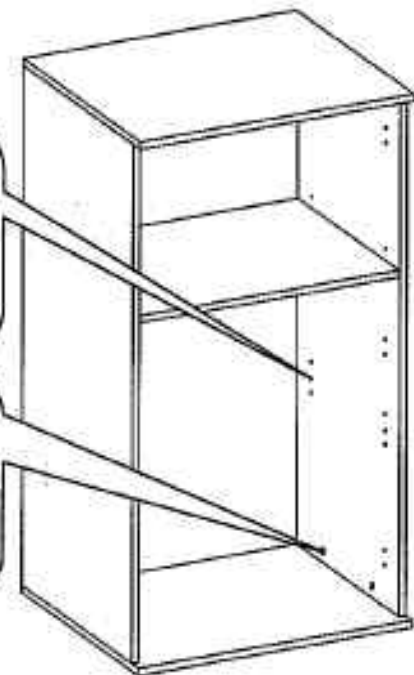
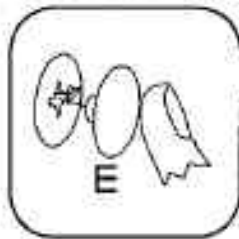
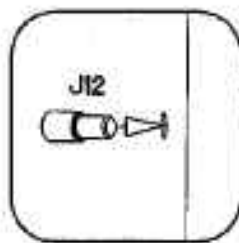


14



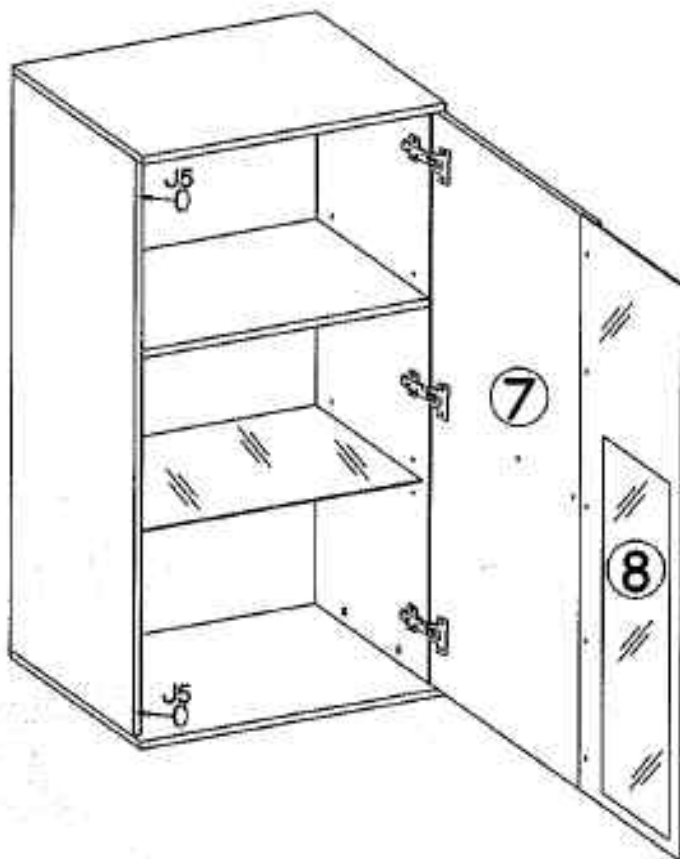
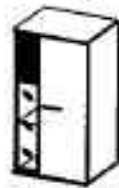
			3.0x20mm
6	4	4	

15

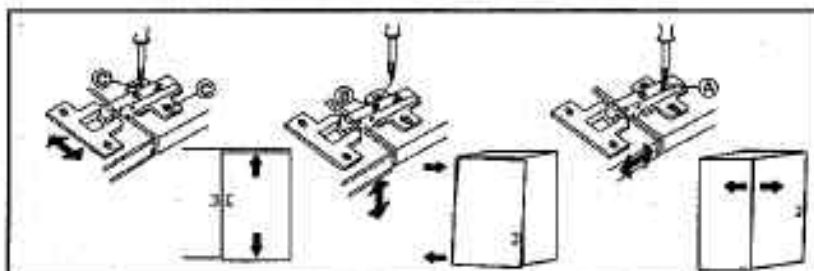
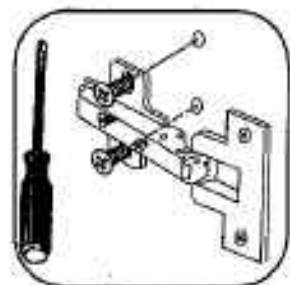





J12	E
4	12

16



J5	R2	S11
2	2	1



 5,0x60mm P12	 10x50mm O7	 K16
4	4	2

