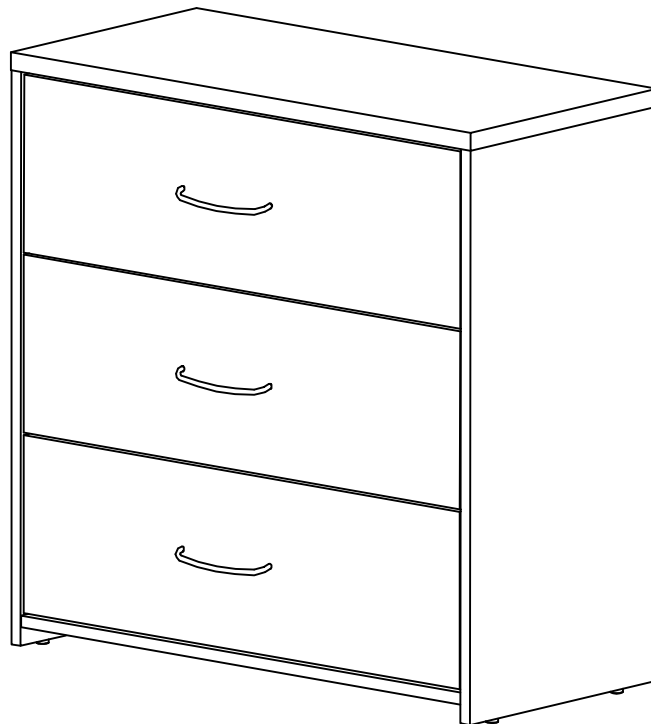
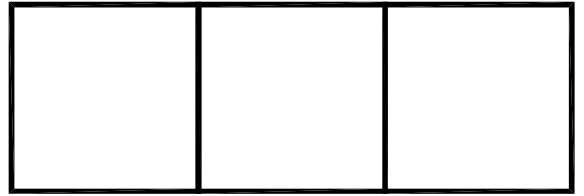
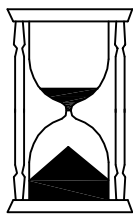


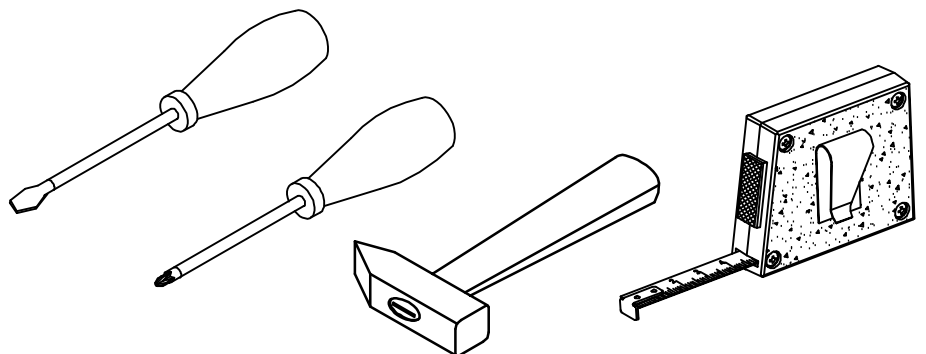
Nikolas



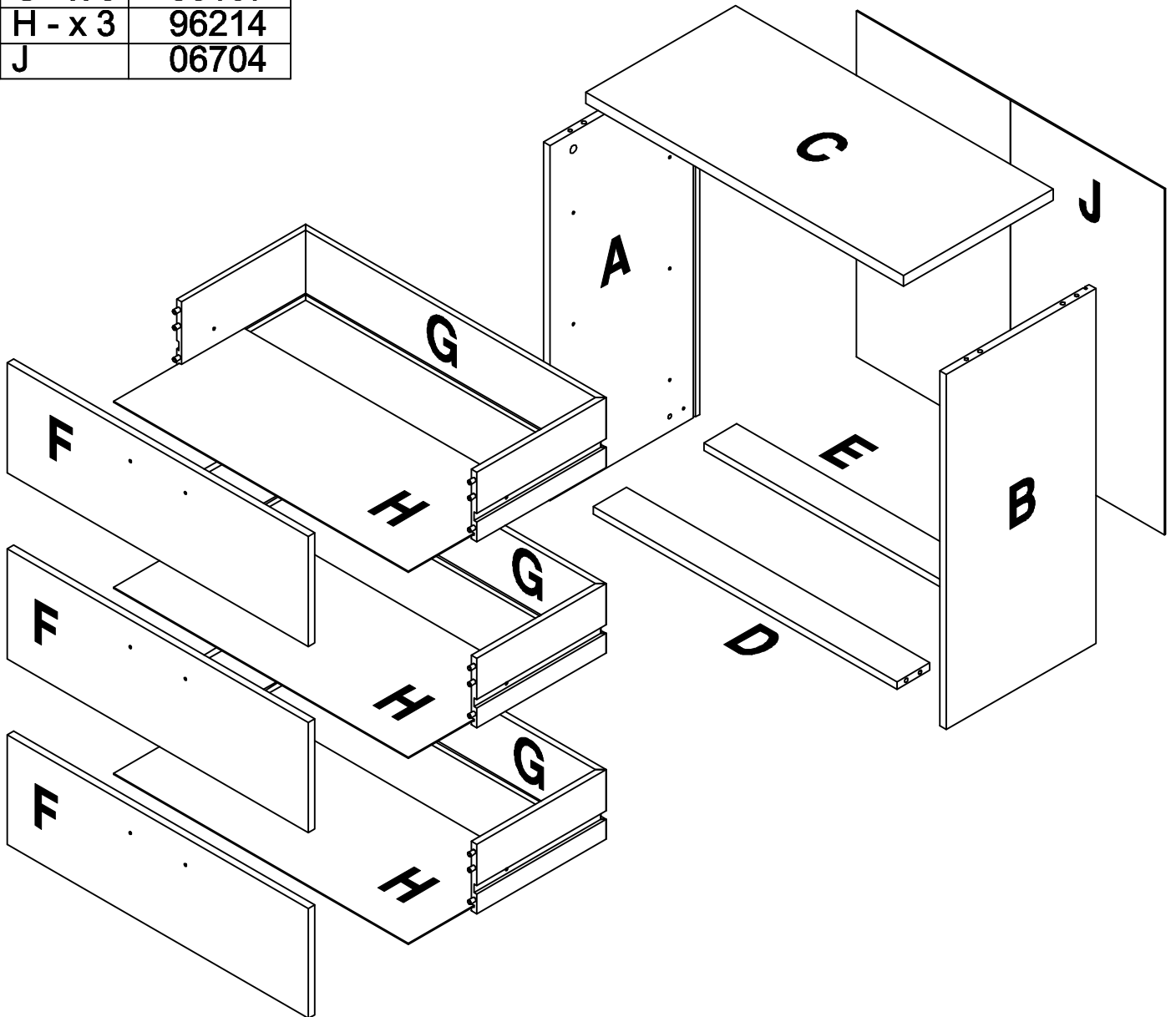
NIKK23




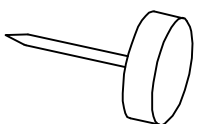
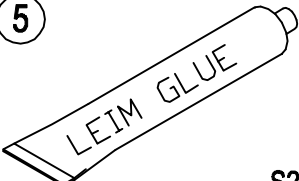
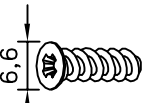


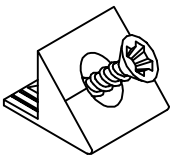


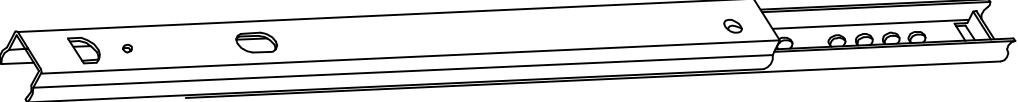
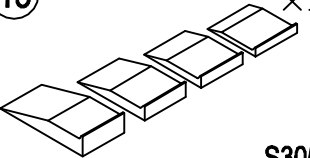

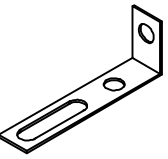




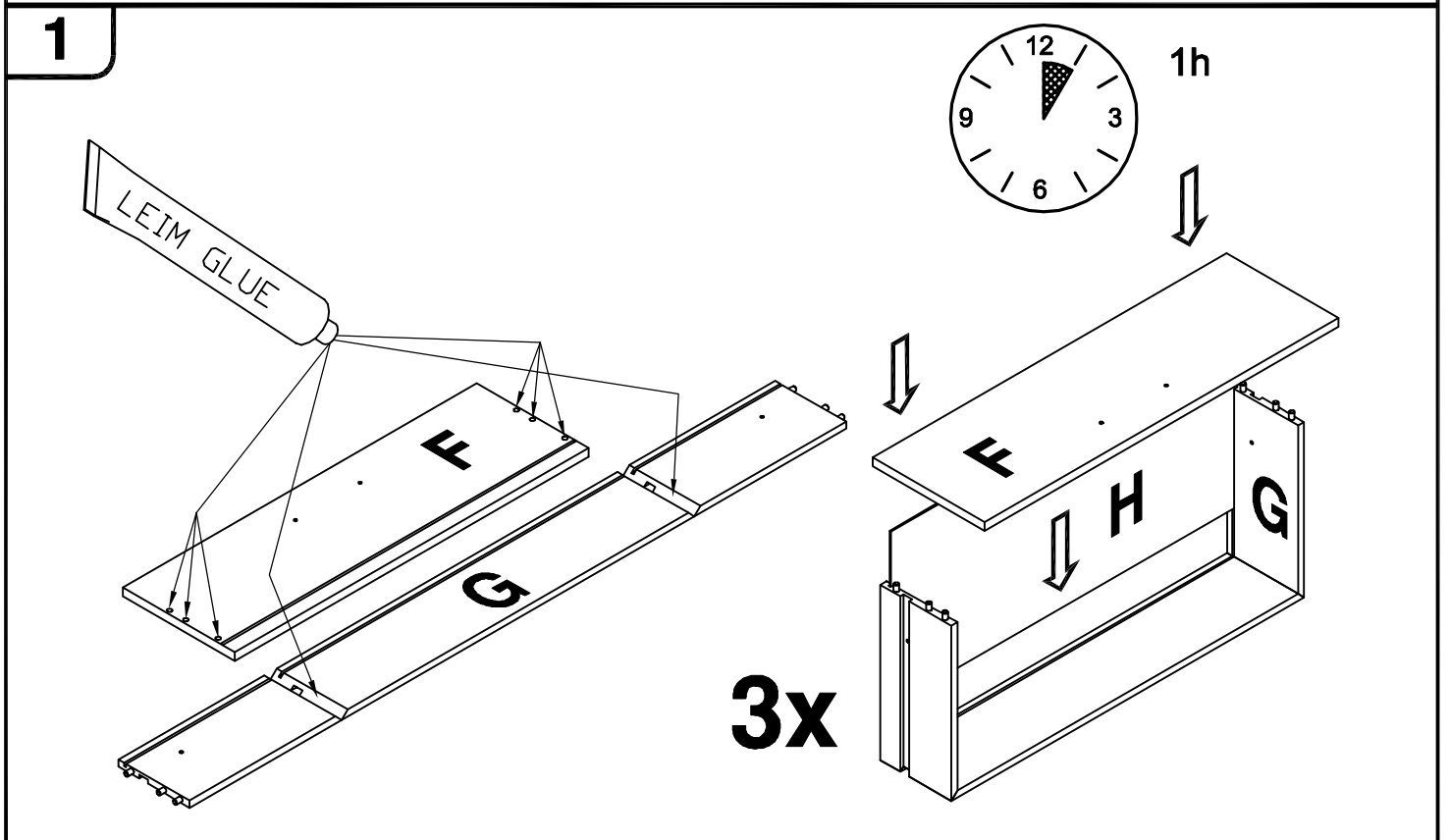
60 MIN



NIKK23	
A	19907
B	19908
C	39669
D	56659
E	56660
F - x 3	76414
G - x 3	86167
H - x 3	96214
J	06704

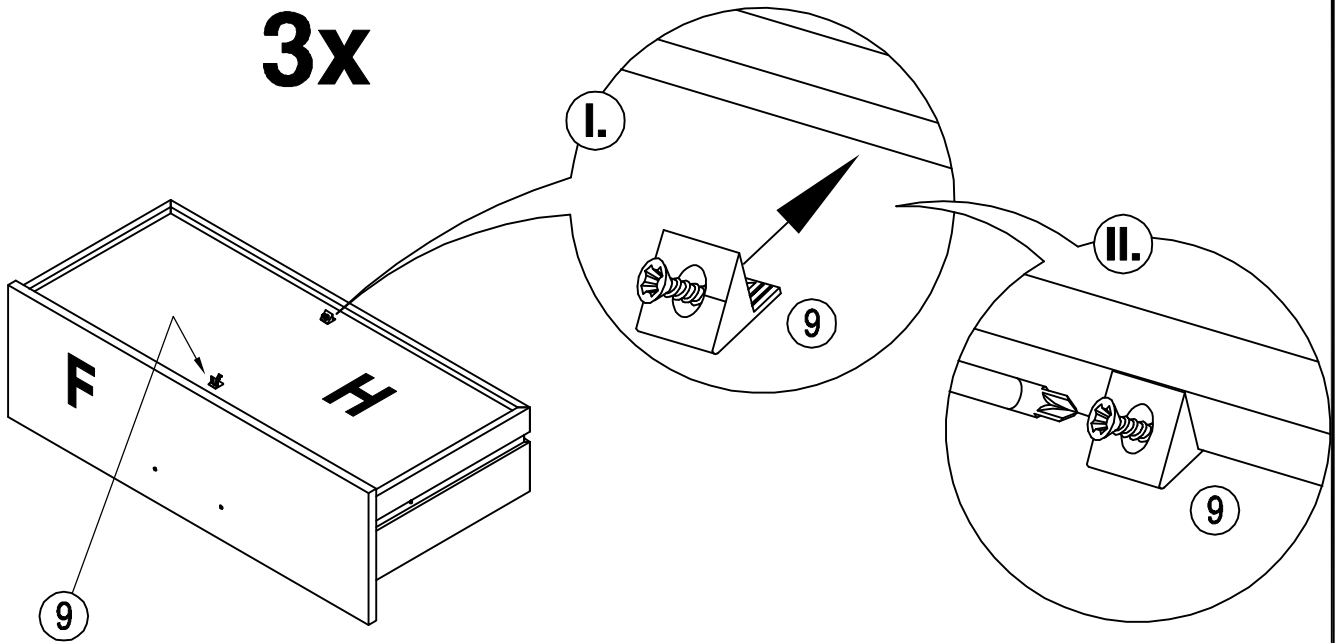


<p>① ×8  $\varnothing 8 \times 28$ S70969</p>	<p>② ×8  S30211</p>	<p>③ ×8  S30212</p>	<p>④ ×4  S30558</p>
<p>⑤ ×1  S20553</p>	<p>⑥ ×12  $\varnothing 6,3 \times 11$ S30115</p>	<p>⑦ ×6 M6x9  S30142</p>	<p>⑧ ×6  $\varnothing 4 \times 27$ S30174</p>
<p>⑨ ×12  S30978</p>	<p>⑩ ×6 $\varnothing 1,6 \times 30$  S31299</p>	<p>⑪ ×3  S35704</p>	
<p>⑫ ×6  L-278 S30051</p>			<p>⑬ ×1  S30577</p>
<p>⑭ ×2 $\varnothing 4 \times 15$  S31298</p>	<p>⑮ ×1  S30231</p>	<p>⑯ ×1 $\varnothing 8 \times 40$  S30442</p>	<p>⑰ ×1 $\varnothing 5 \times 50/95$  S32624</p>

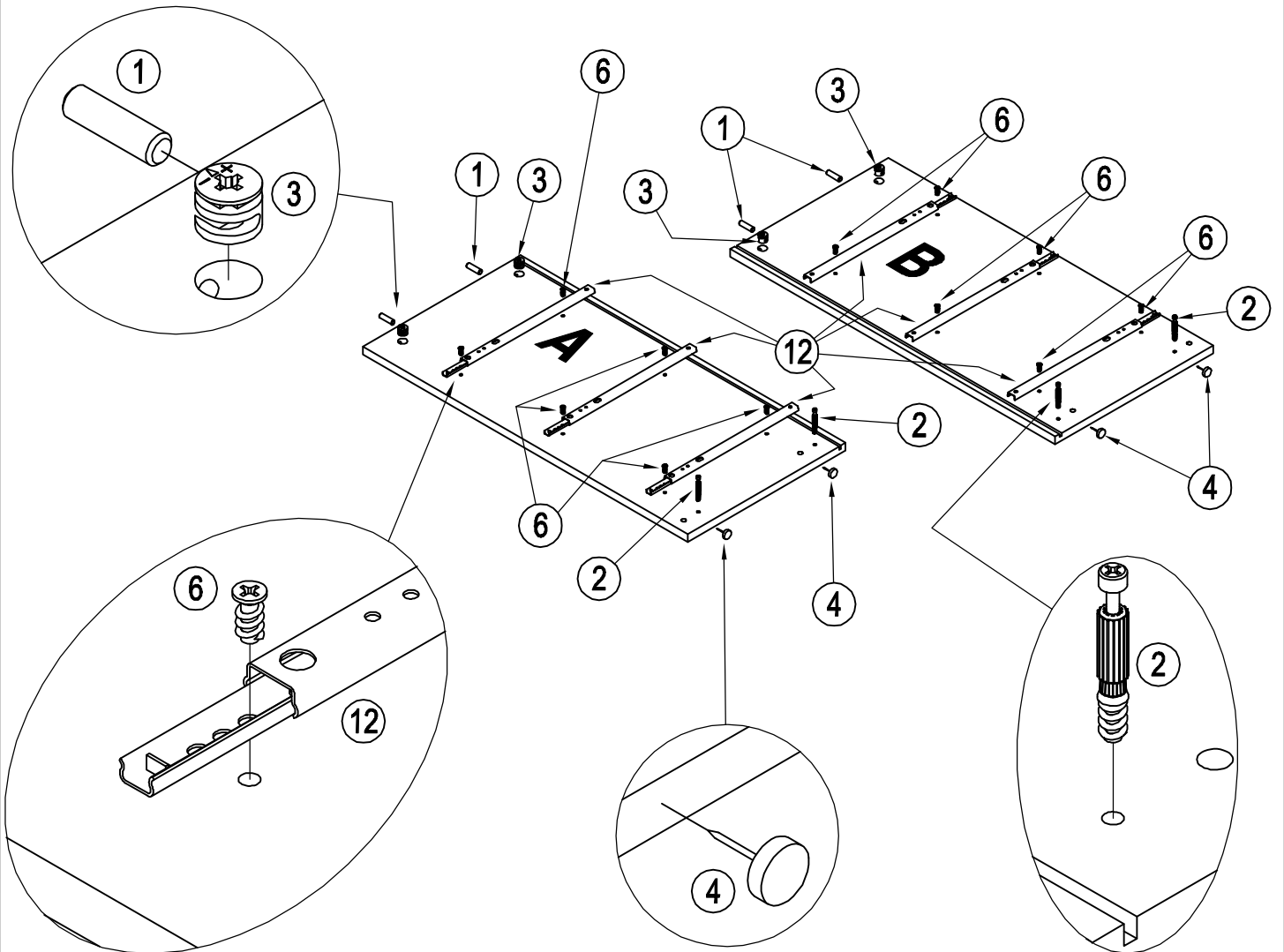


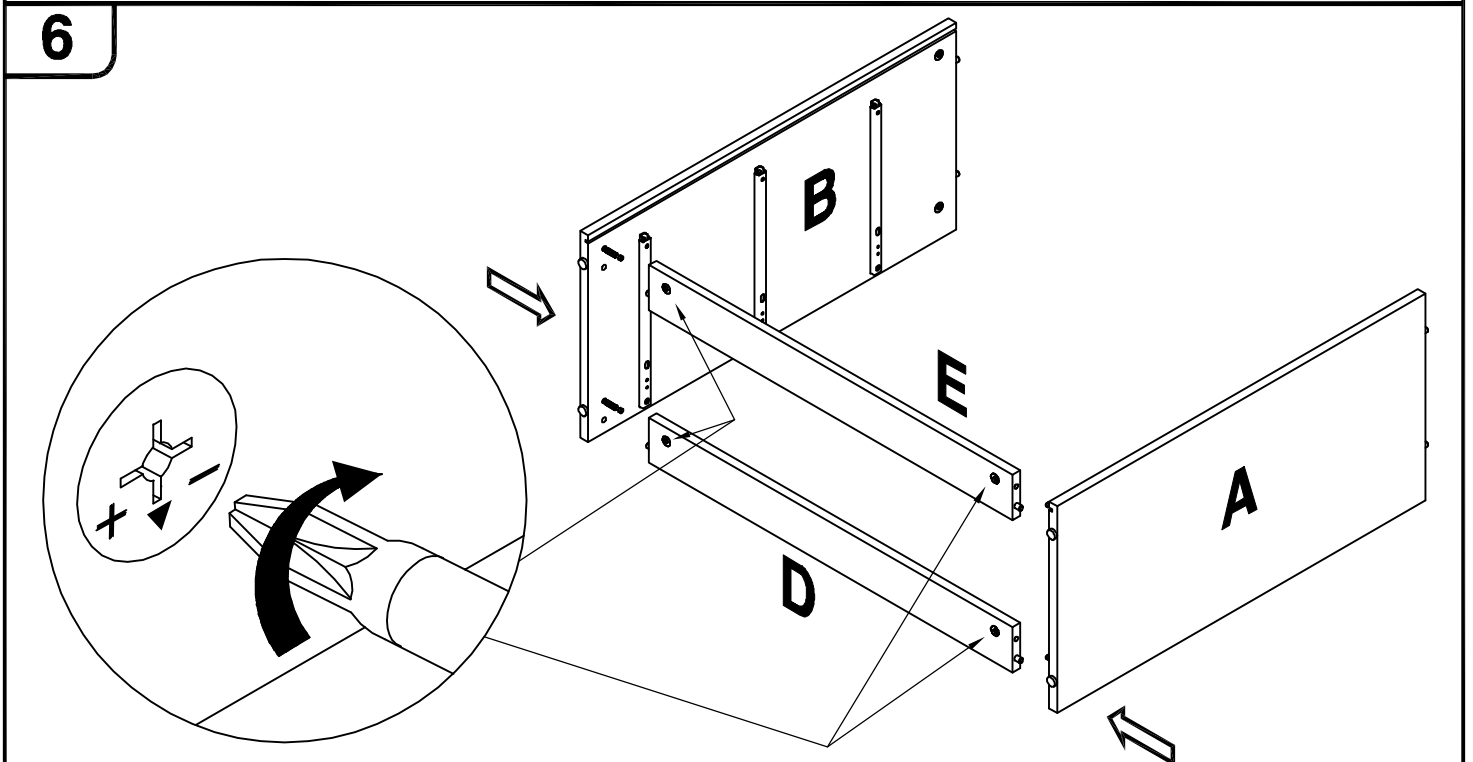
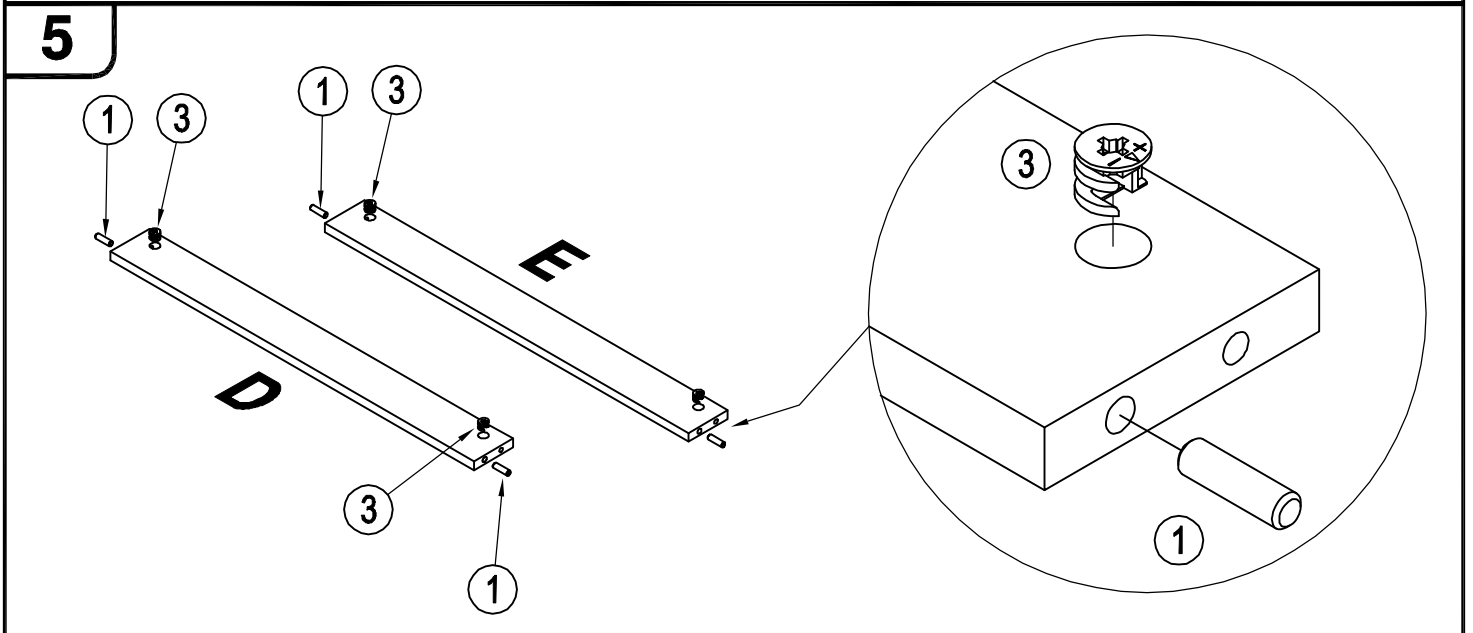
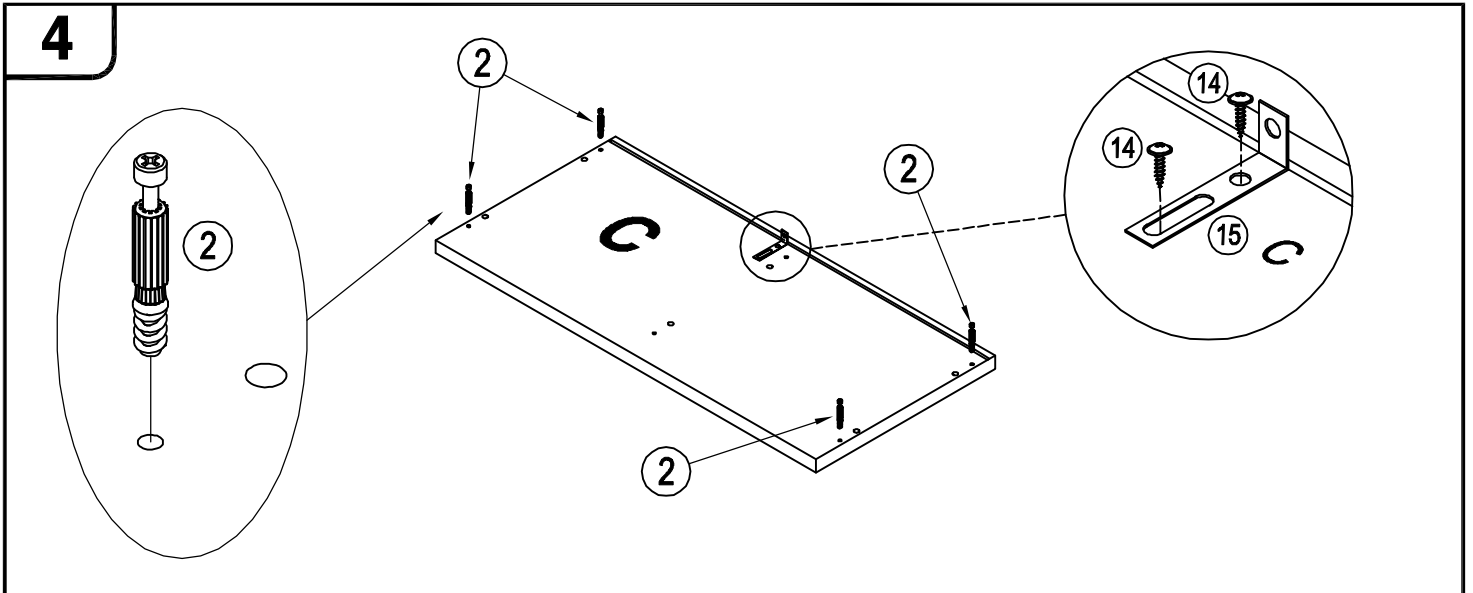
2

3x

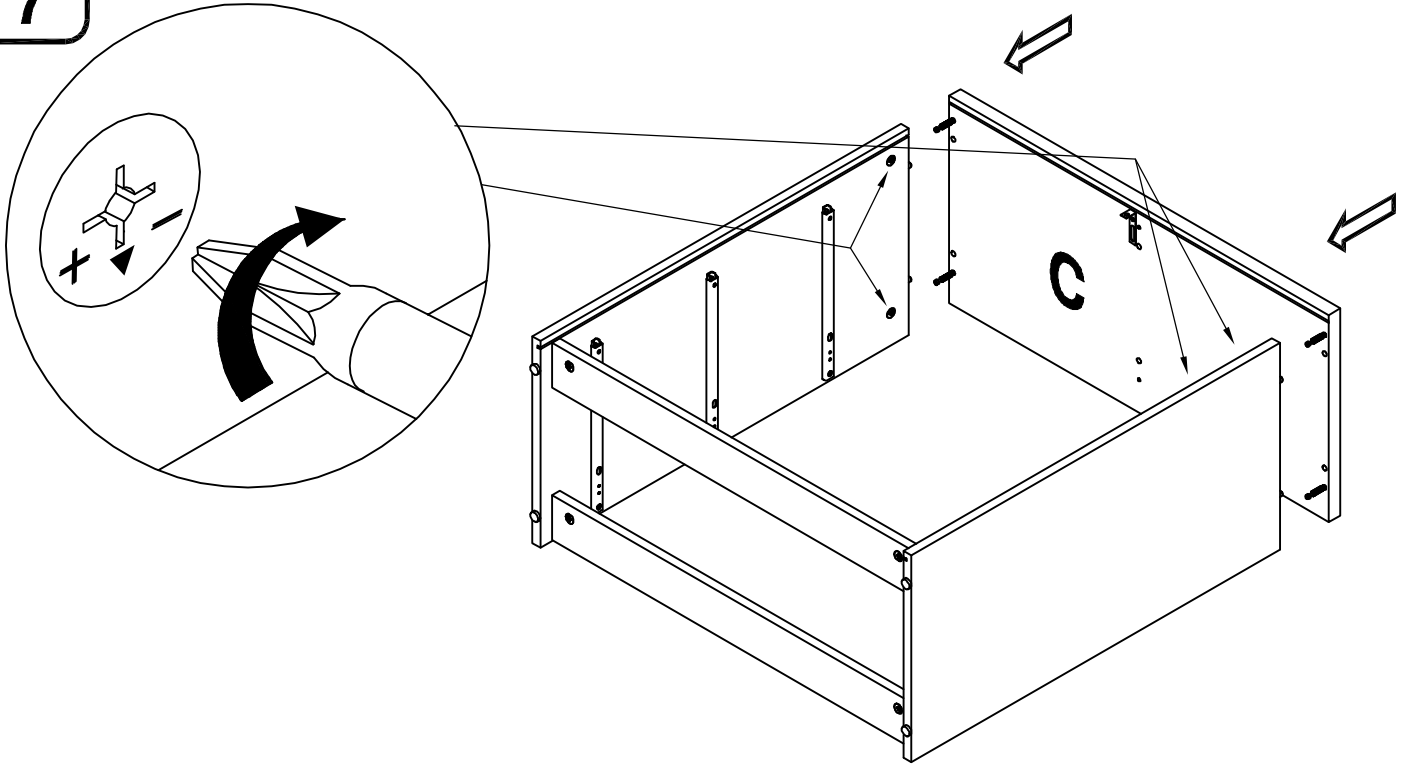


3

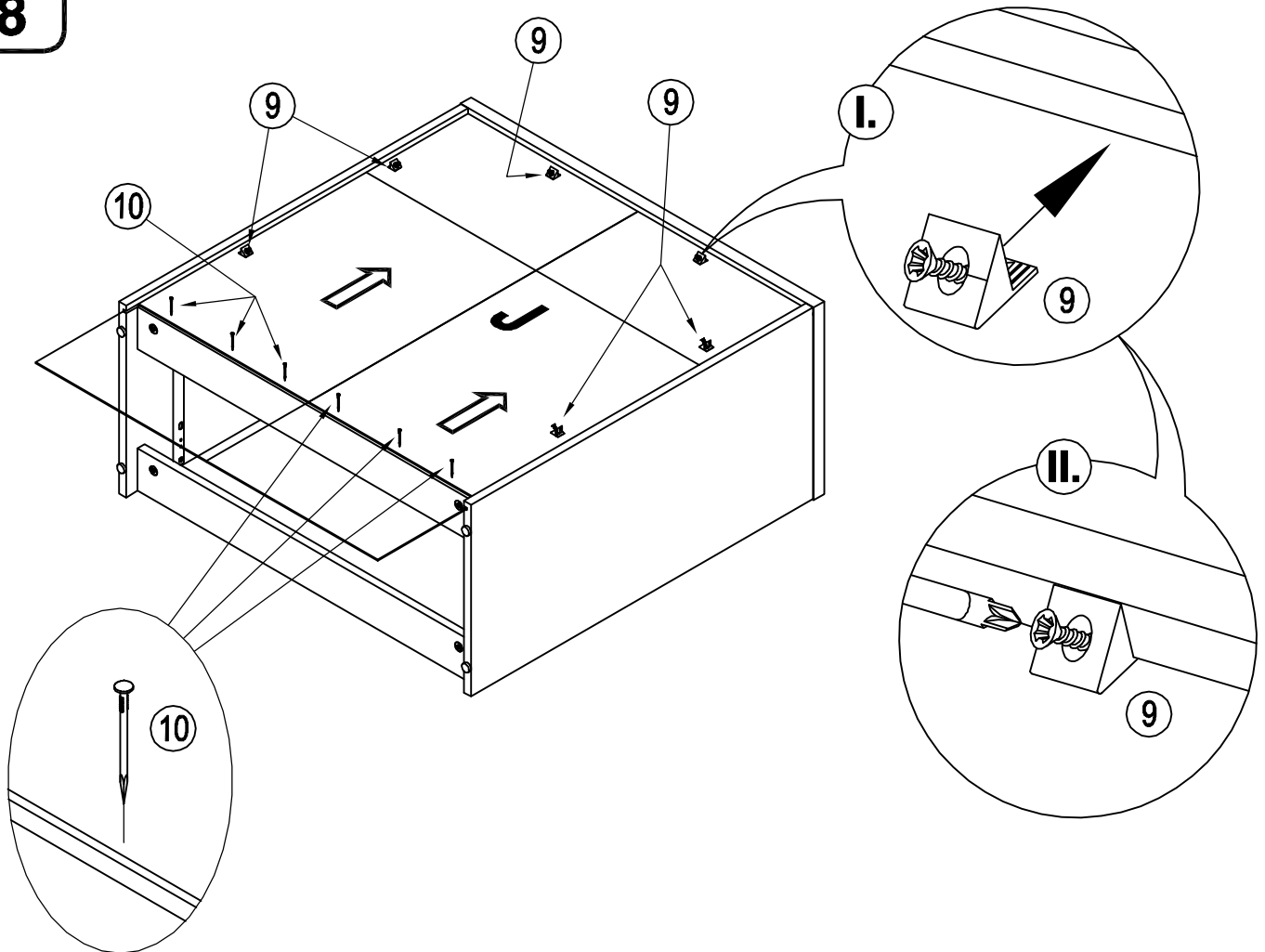




7



8



9

