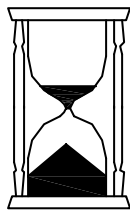
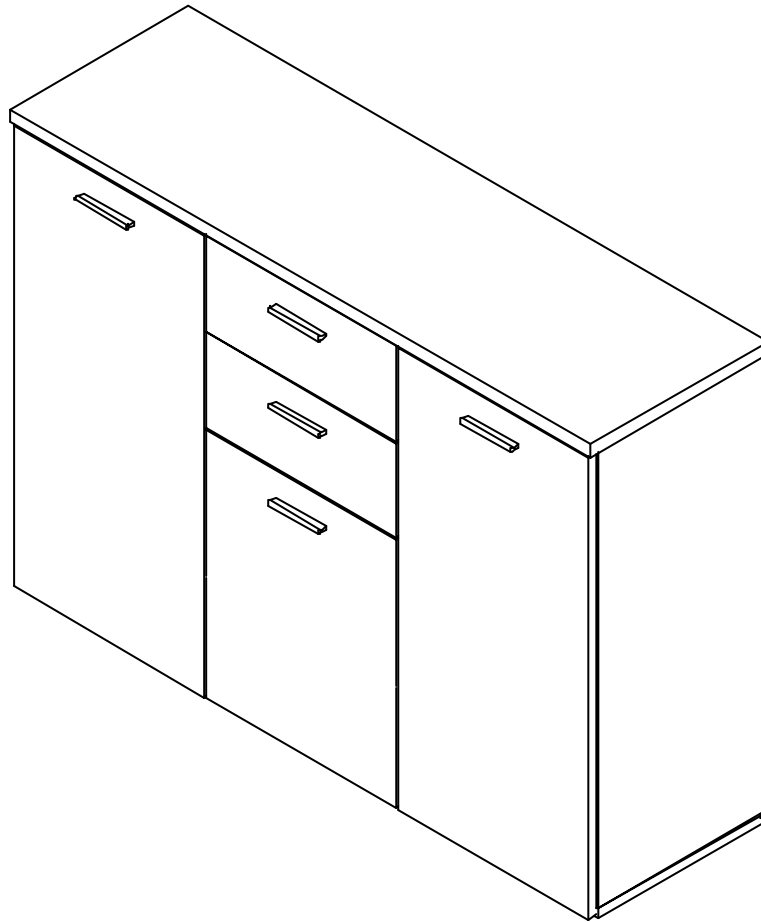
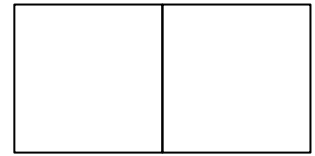
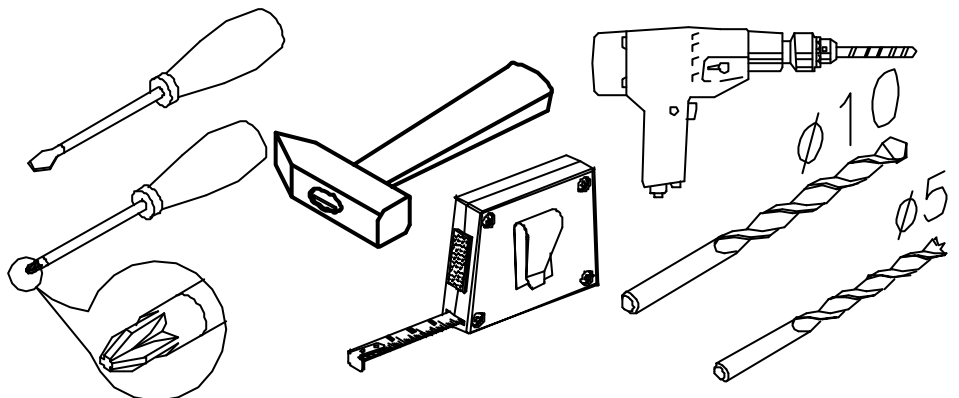


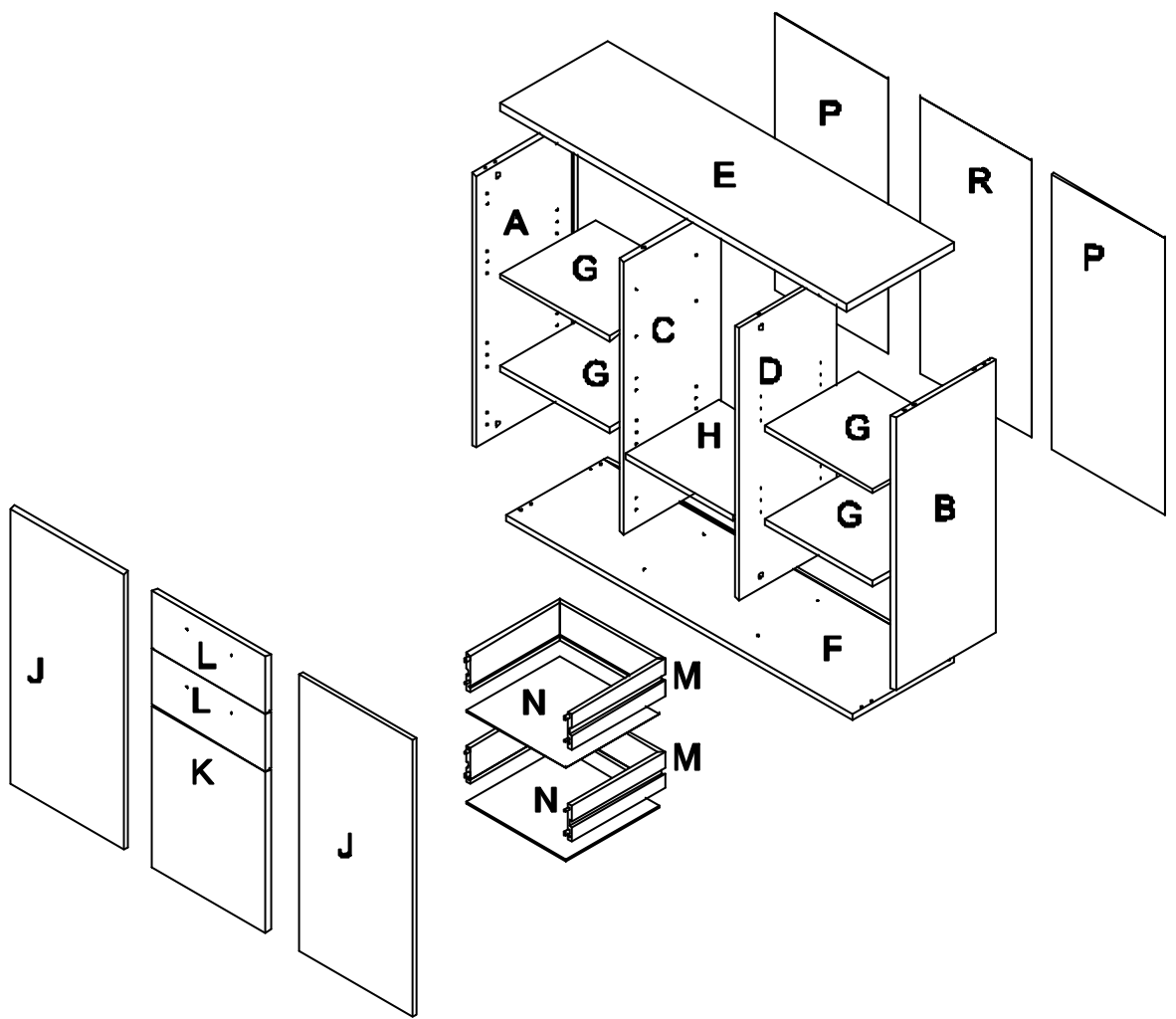
Mandy CSRK 25



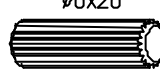

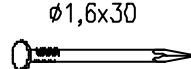
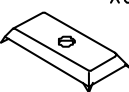

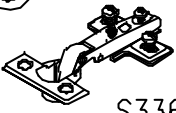

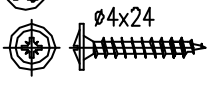
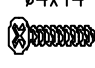
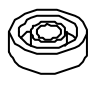





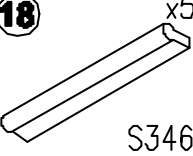
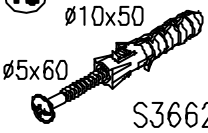
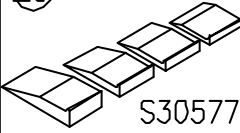
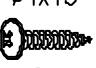
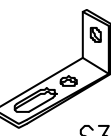


60 MIN

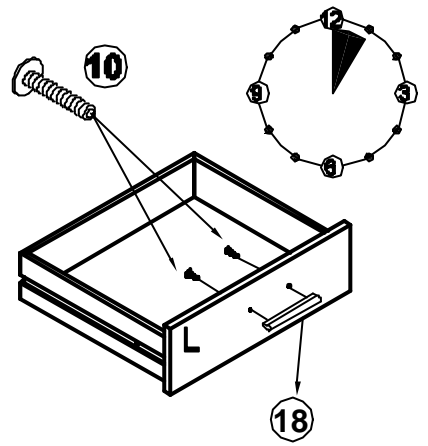
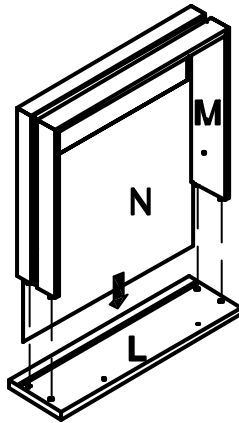
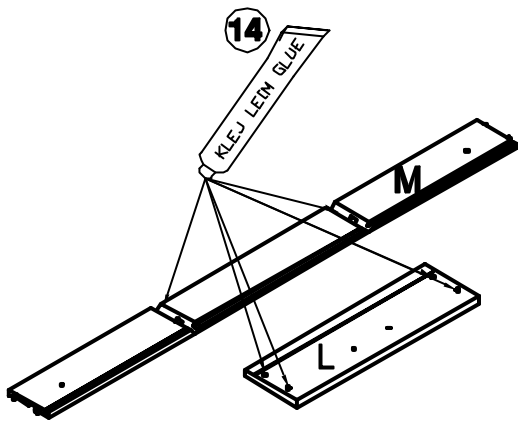


A	128054
B	128055
C	128188
D	128189
E	32109
F	31999
G x4	40427
H	40627
J x2	61137
K	61138
L x2	70698
M x2	8668
N x2	90154
P x2	01126
R	01127



1  x16 S30212	2  x16 S30211	3  ø8x28 x8 S70969	4  x10 S30978	5  ø1,6x30 x8 S31299	6  x8 S30312
7  ø4,9x16 x20 S30337	8  x2 S33680	9  x6 S32382	10  ø4x24 x16 S34654	11  ø4x14 x12 S34701	12  x8 S34626
13  M4x9 x4 S30142	14  KLEJ LEIM GLUED x1 S20557	15  x4 S33844	16  ø6,3x18 x8 S33529	17  x4 S30051	
18  x5 S34661	19  ø10x50 x1 ø5x60 S36628	20  x1 S30577	21  ø4x15 x2 S31298	22  x1 S30231	

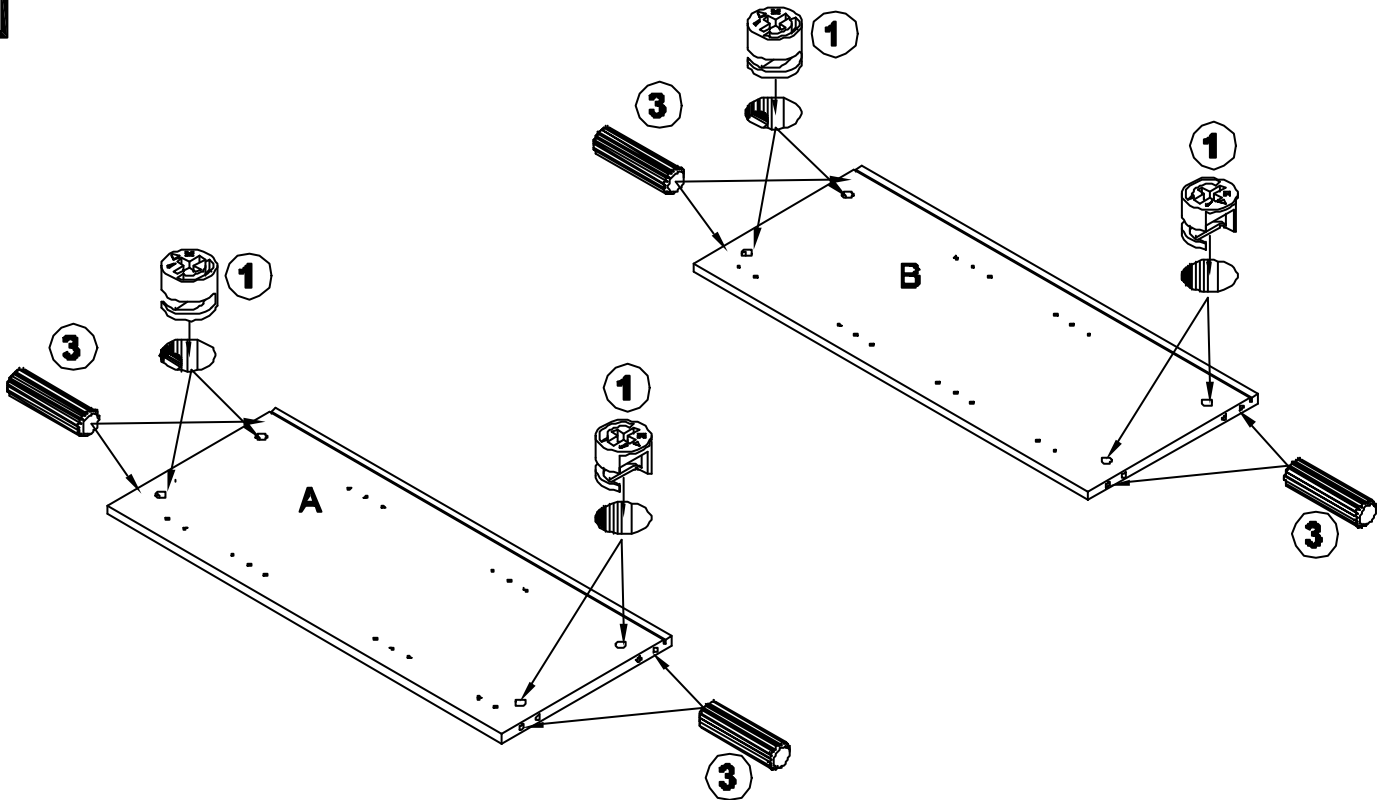
1

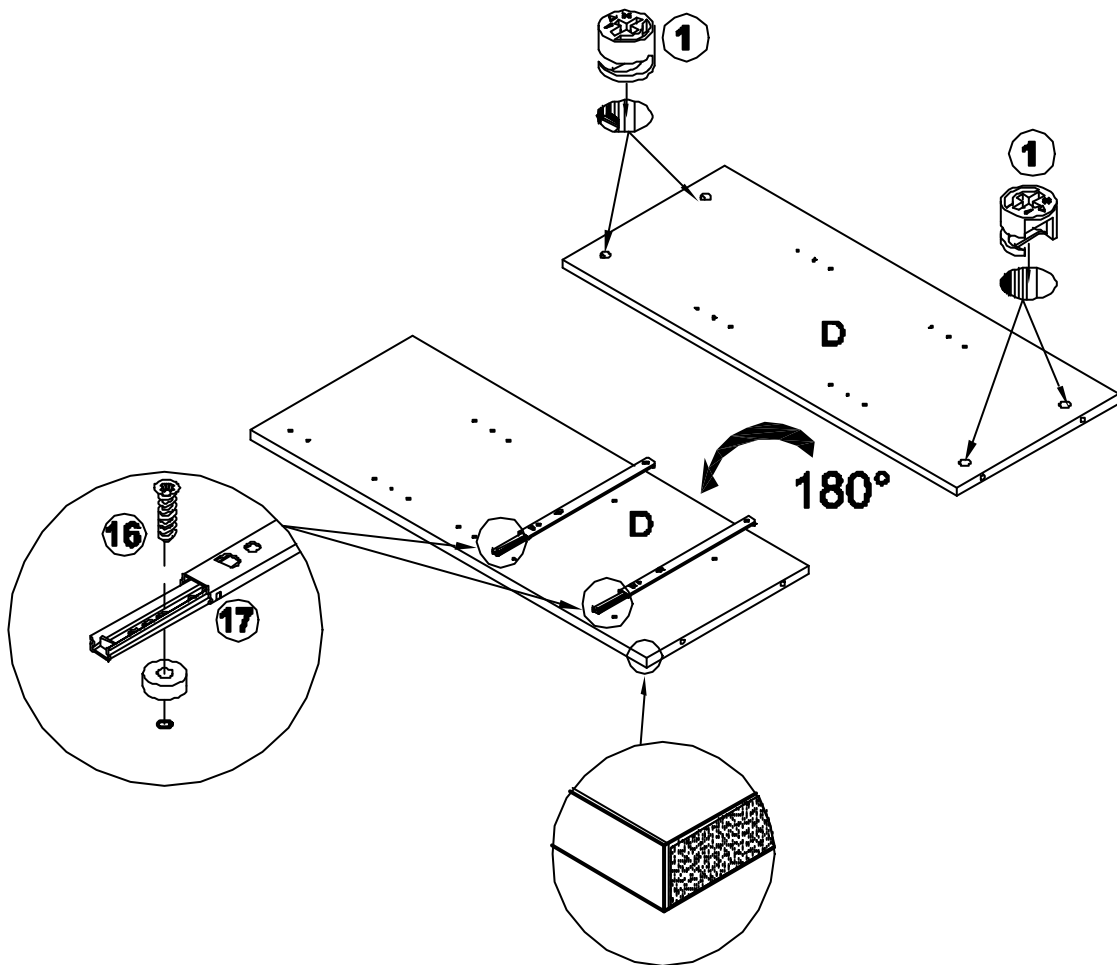
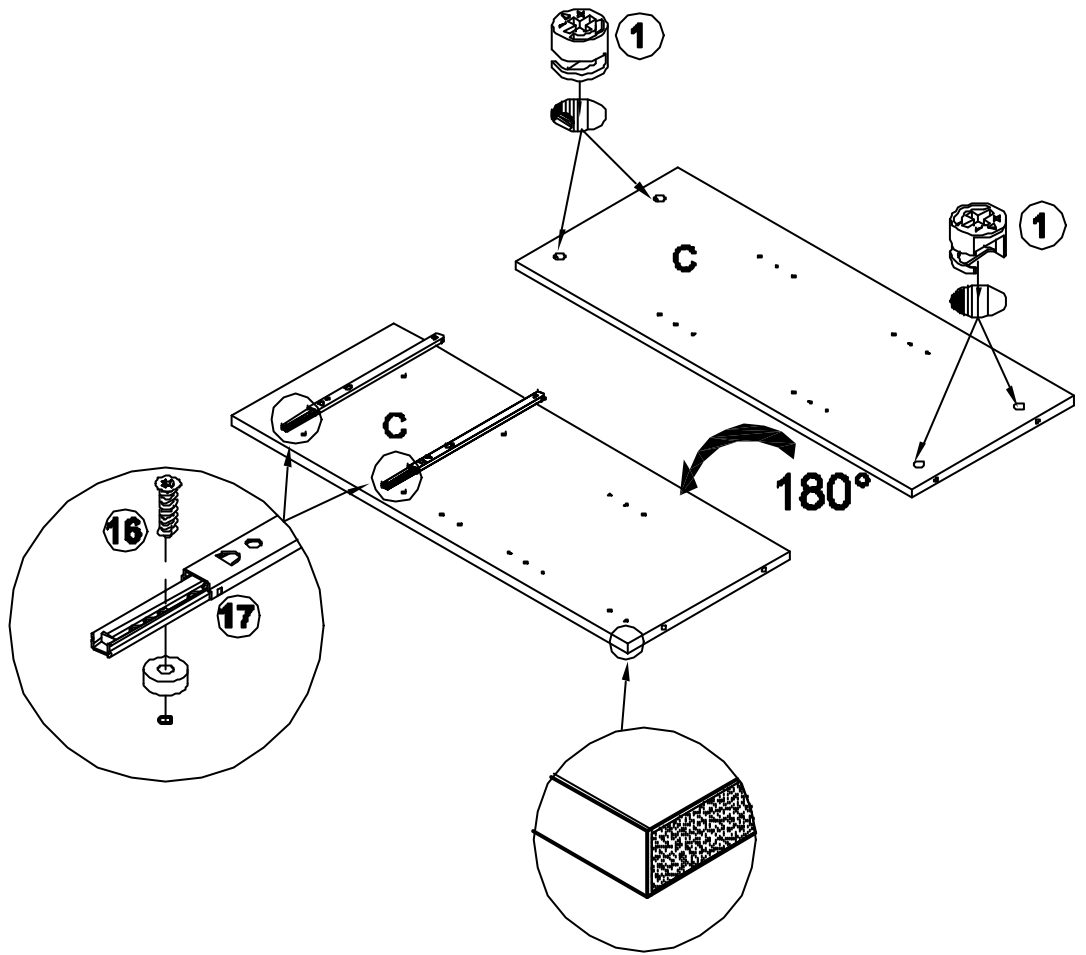


1h

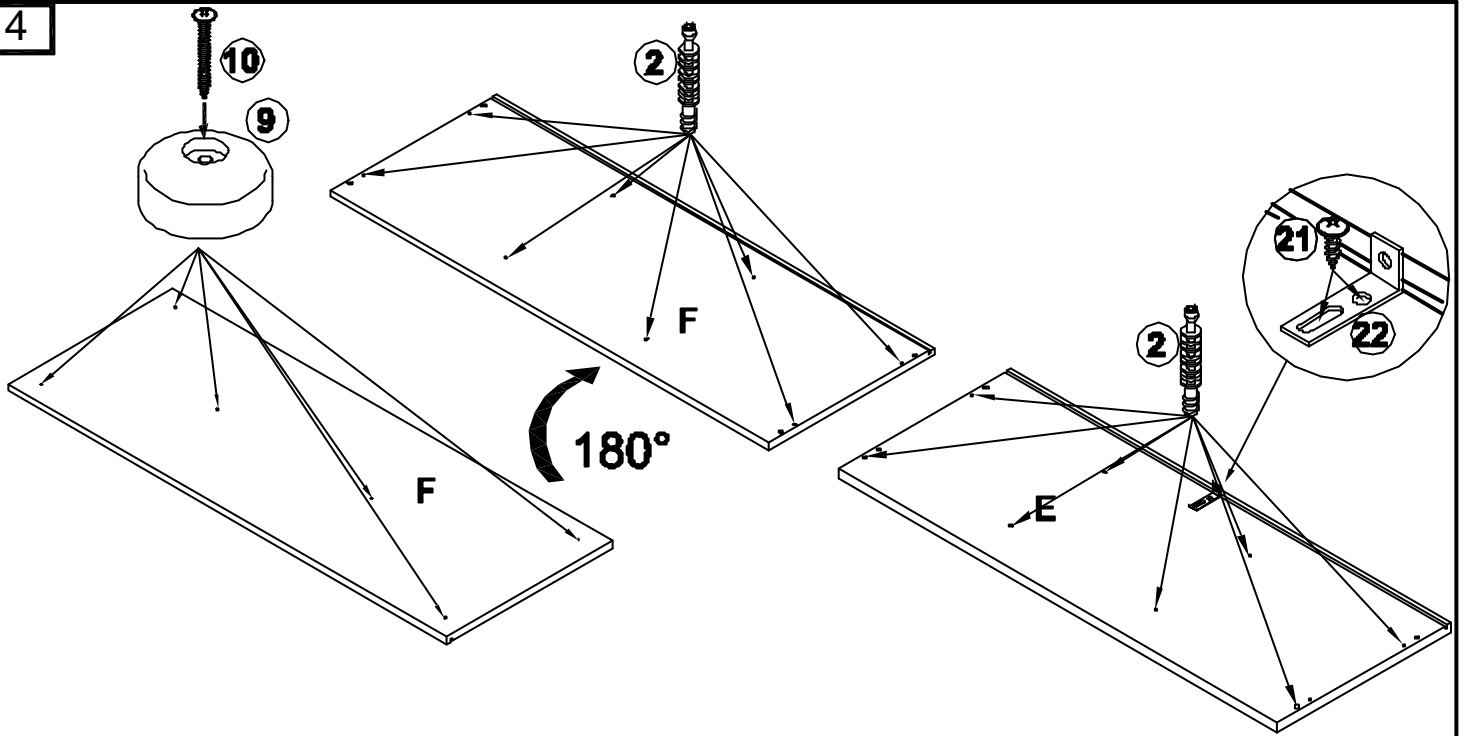
x2

2

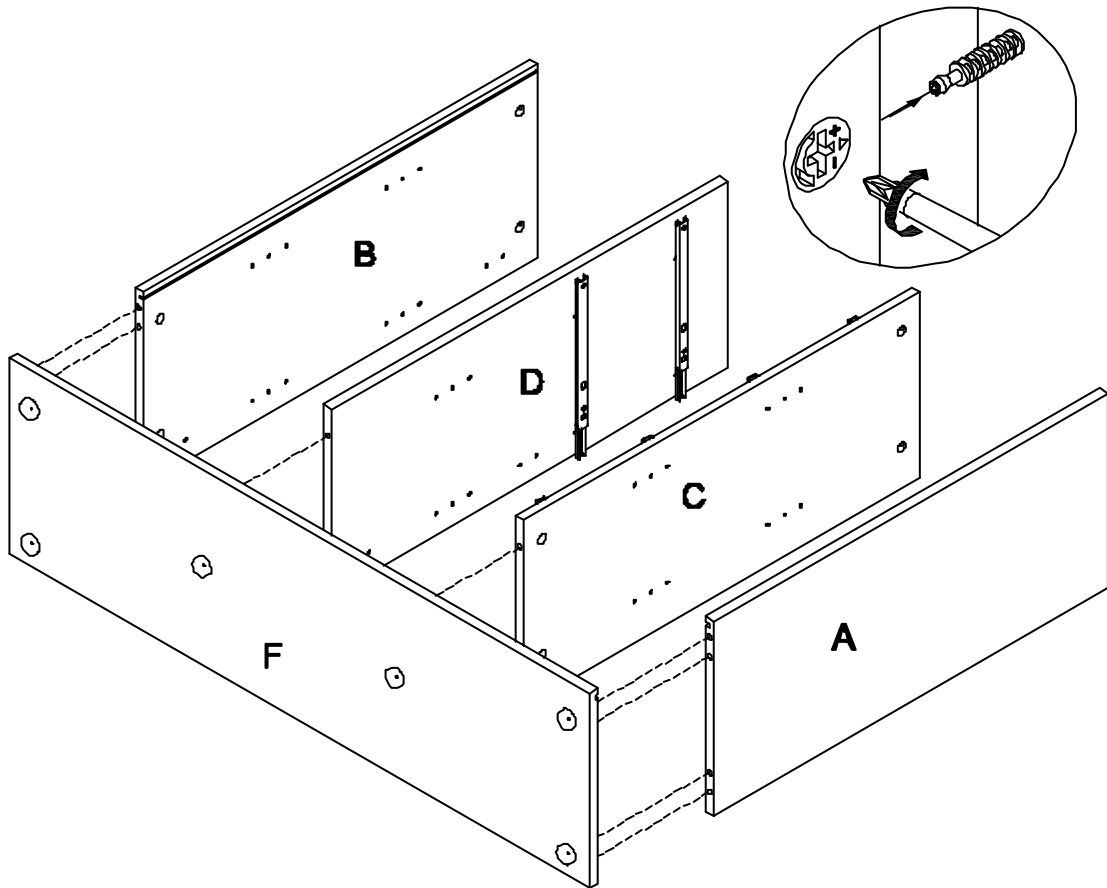




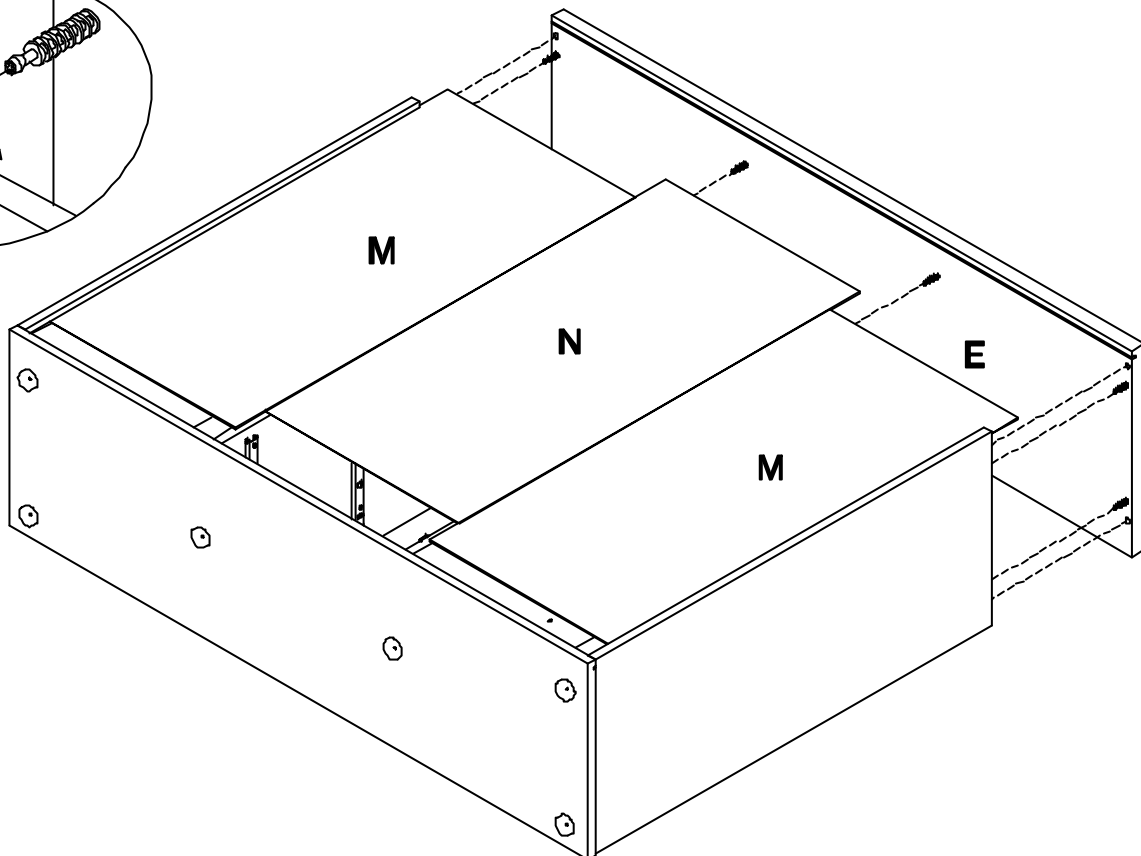
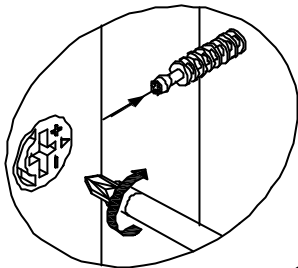
4



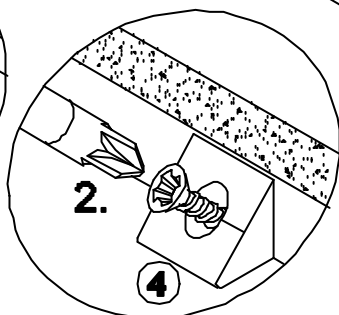
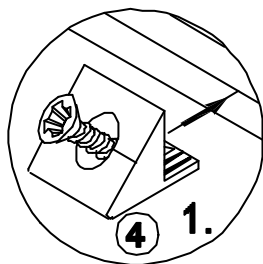
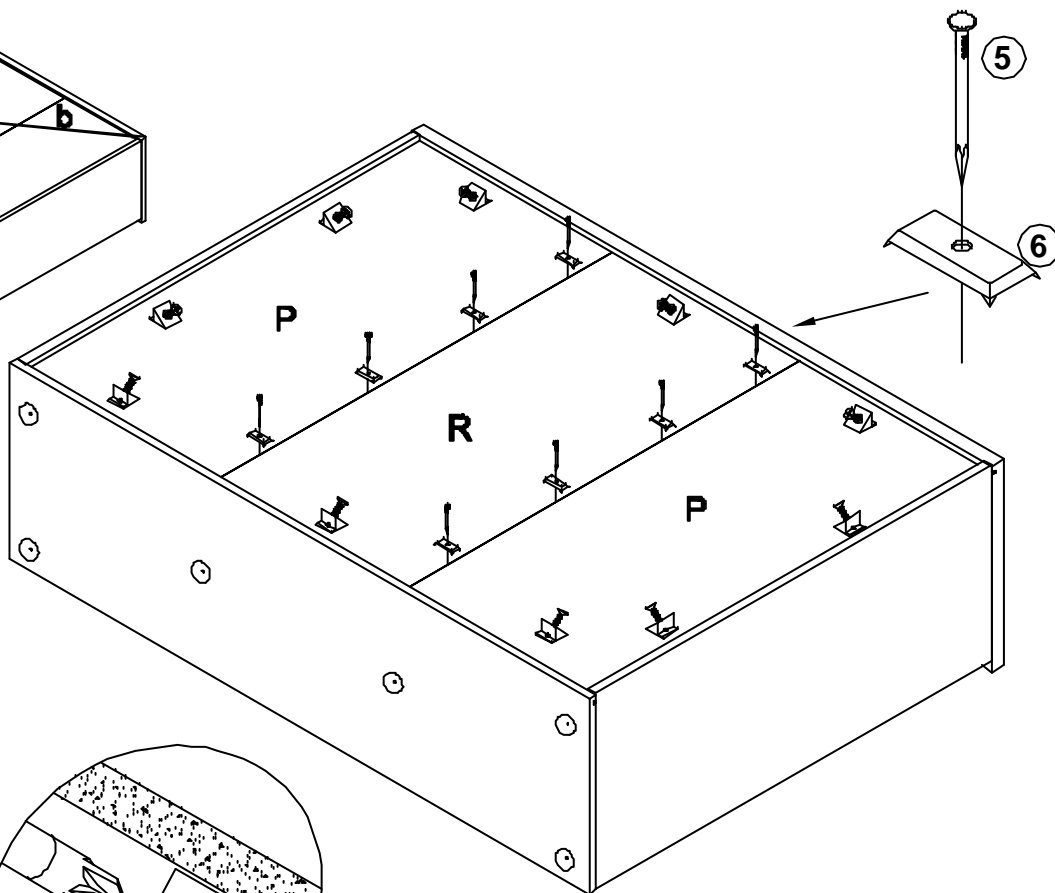
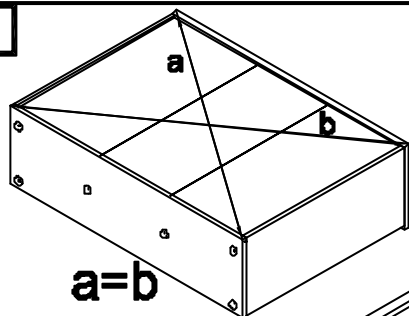
5



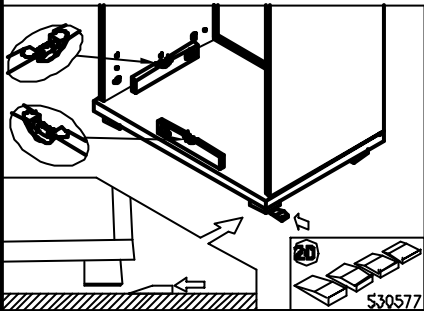
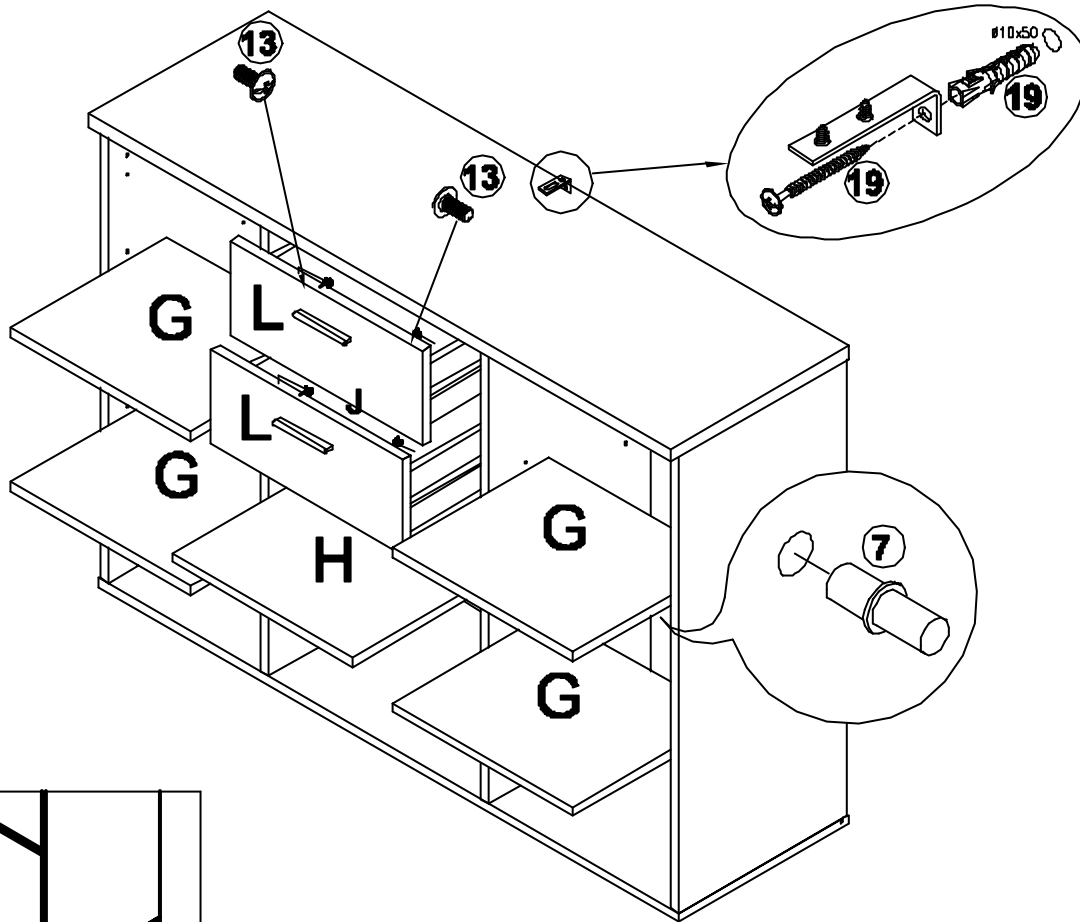
6



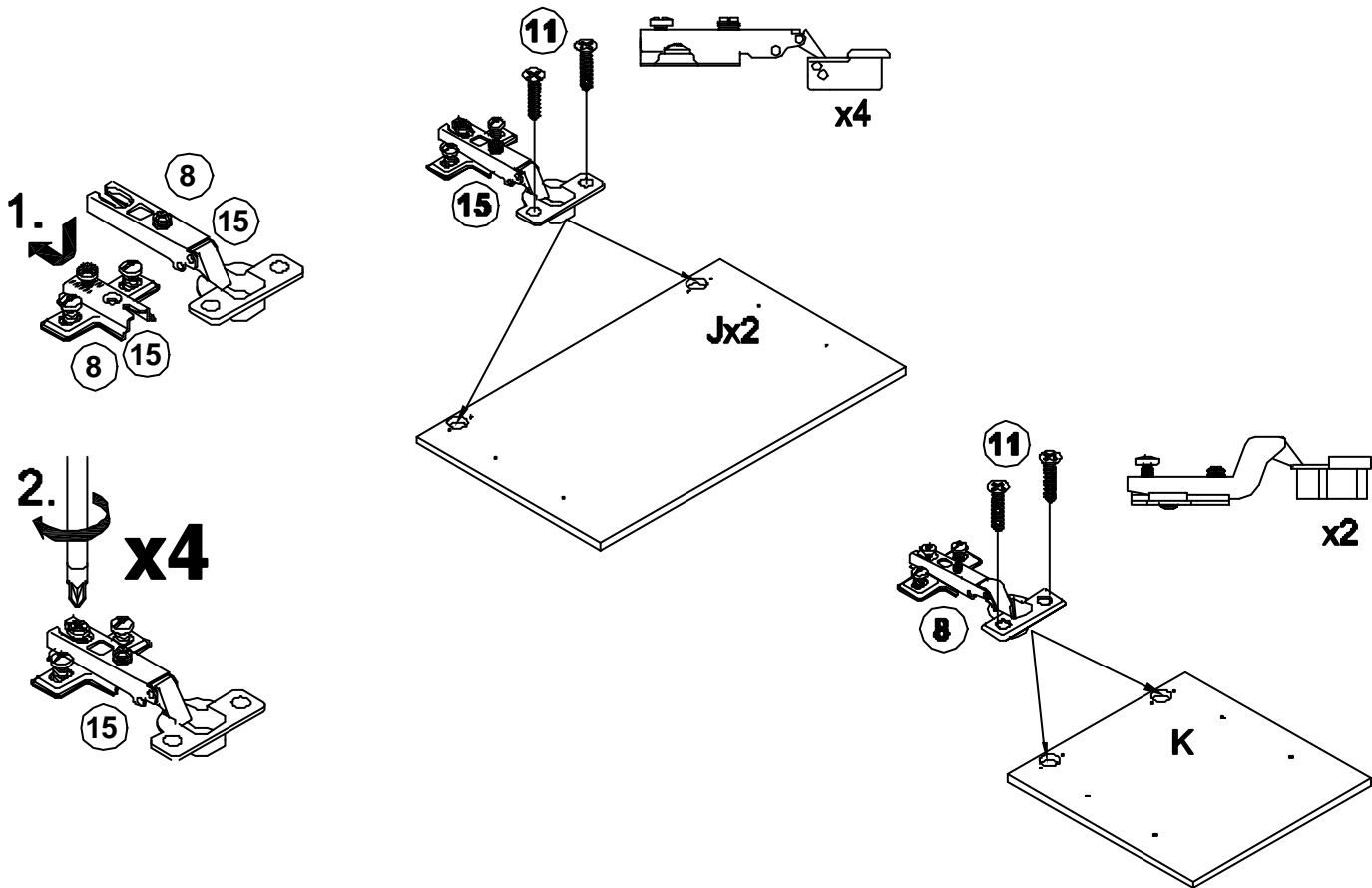
7



8



9



10

