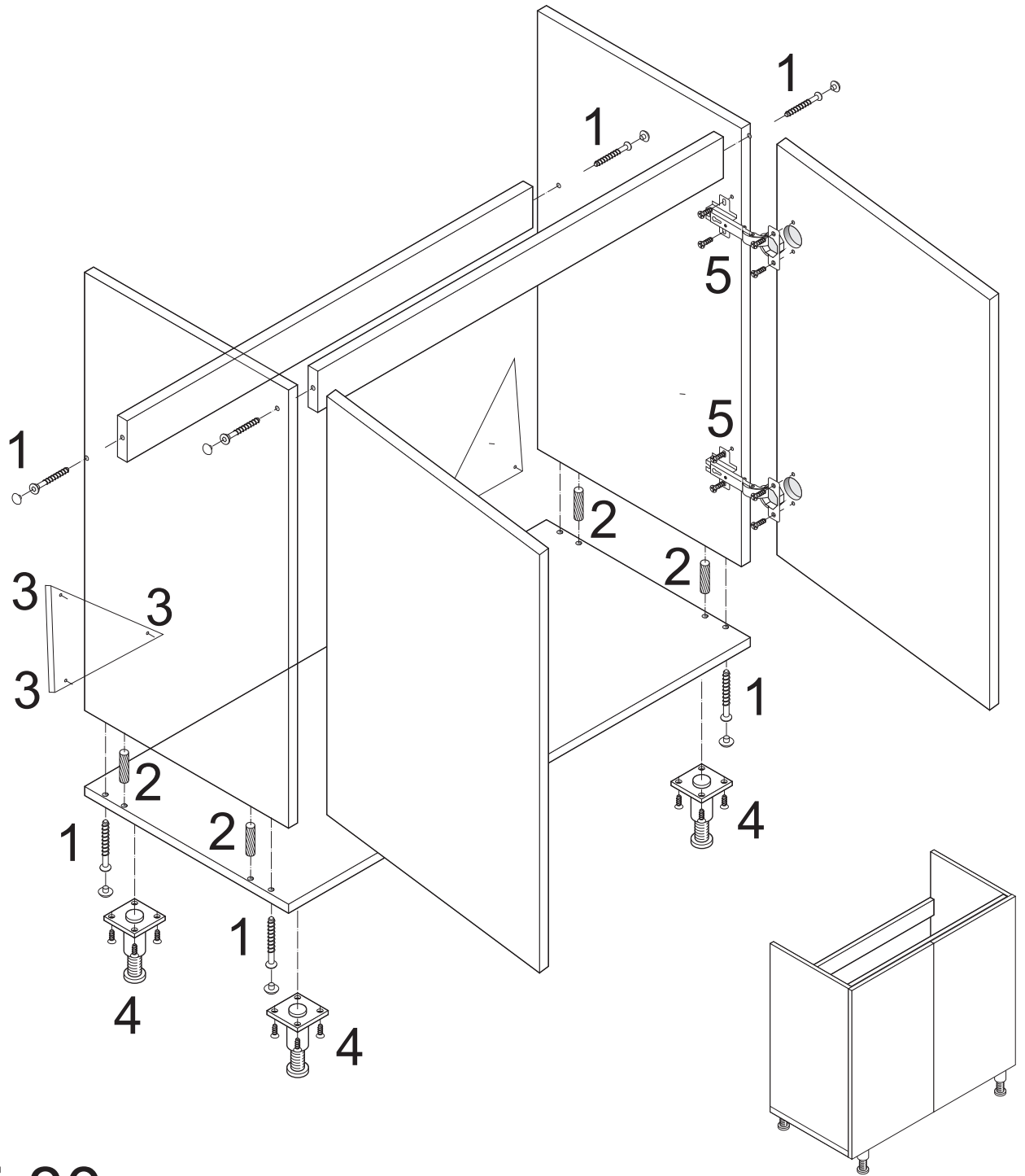


SOMMA IV

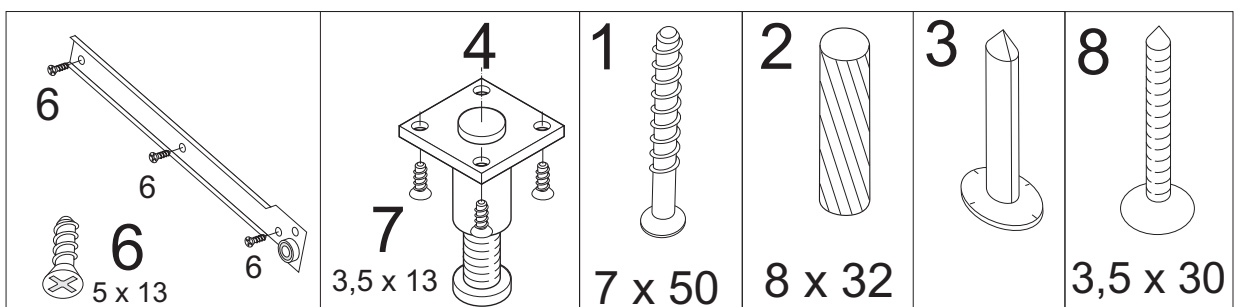
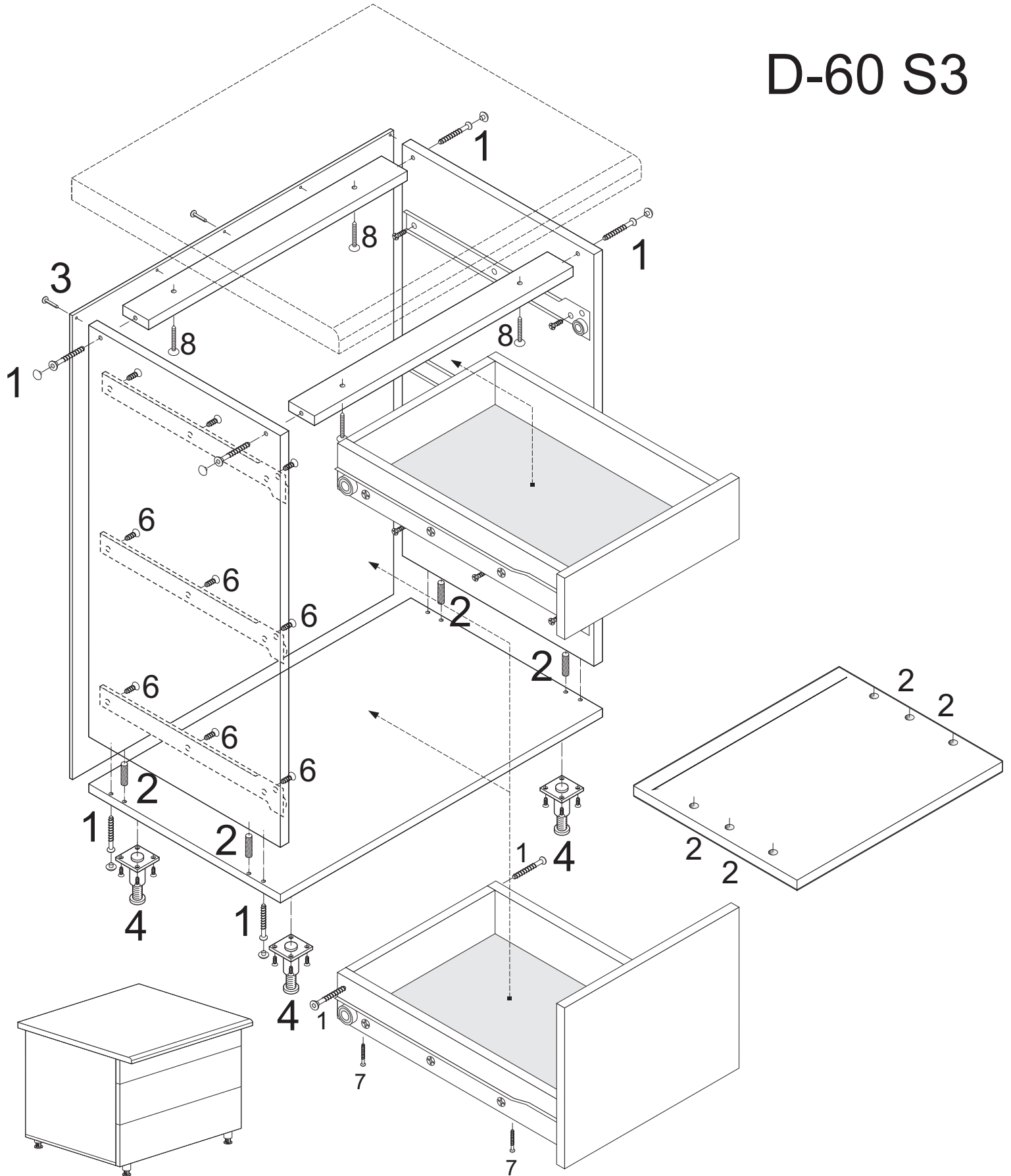


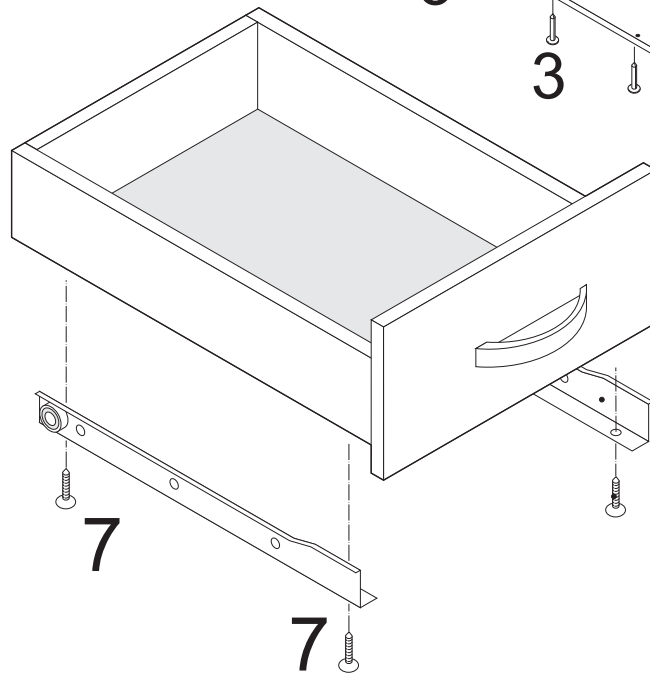
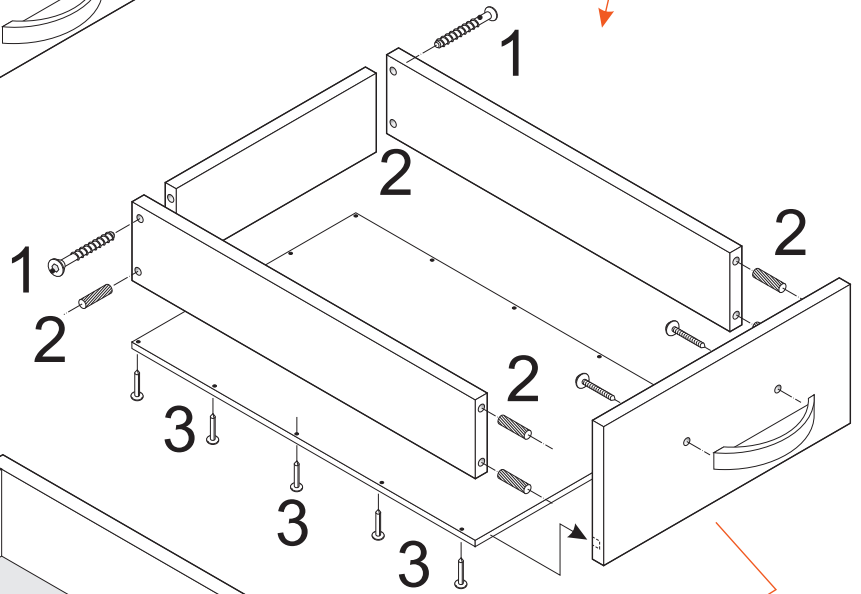
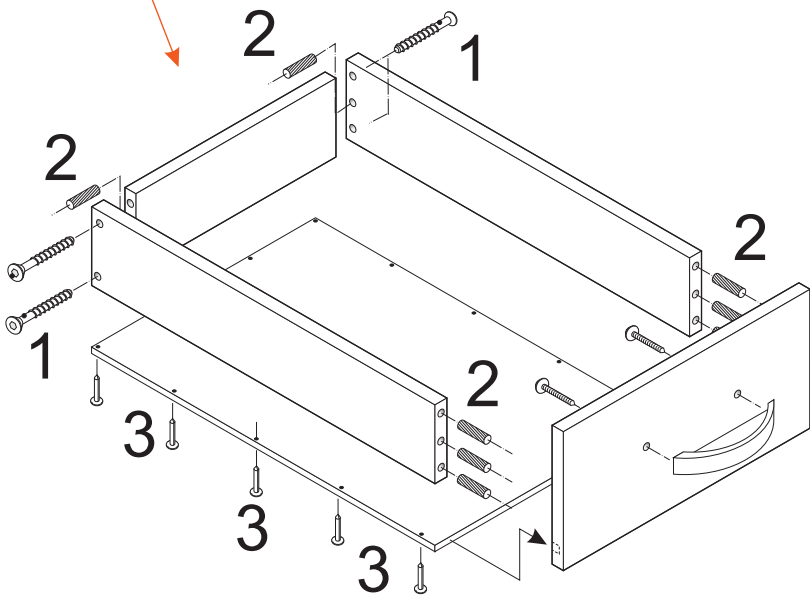
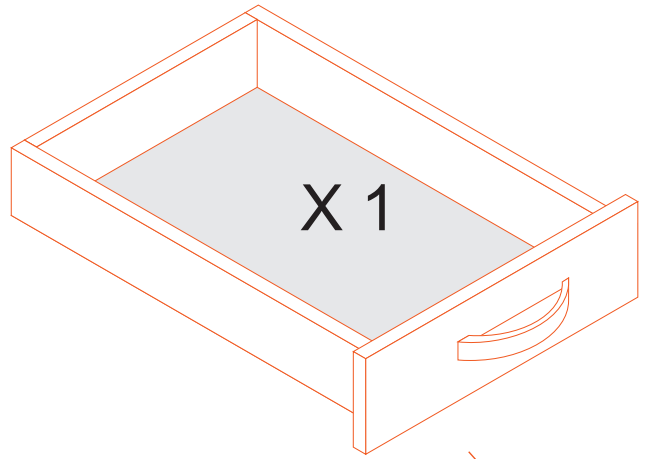
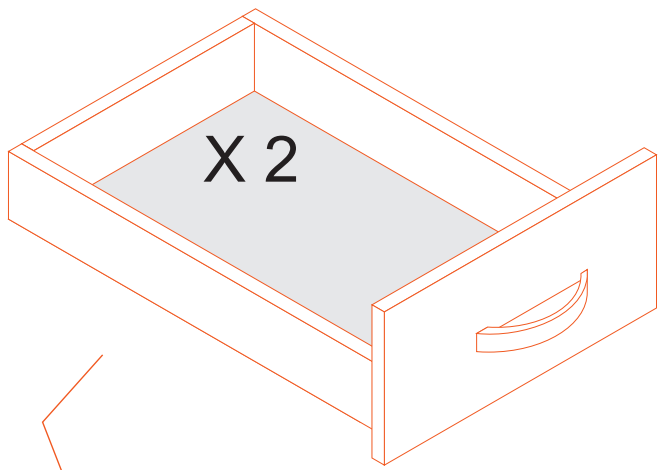


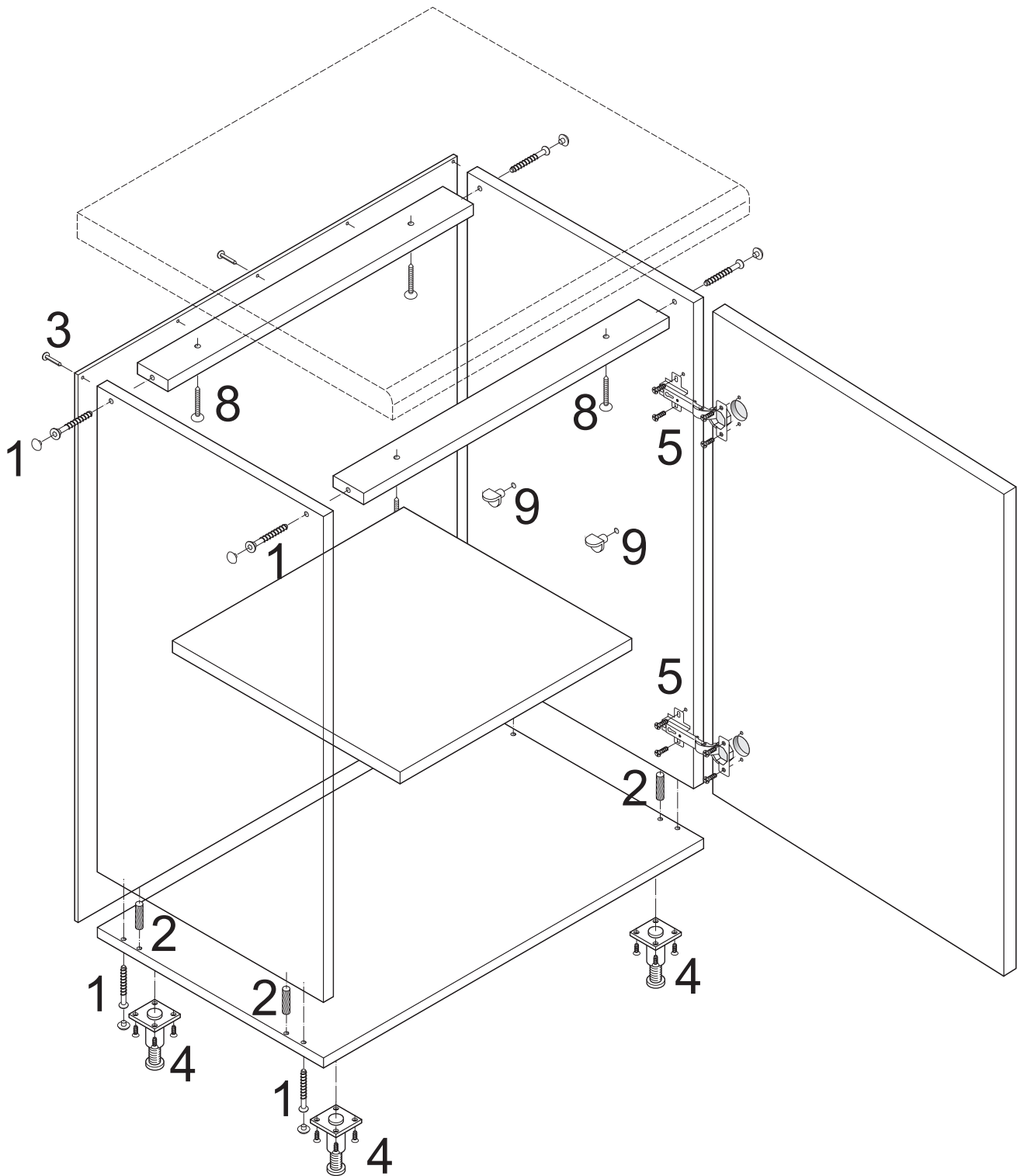
DZ-80

<p>4 x 30</p>	<p>5 x 13 6</p>	<p>7 3,5 x 13</p>	<p>1 7 x 50</p>	<p>2 8 x 32</p>	<p>3</p>
---------------	------------------------	------------------------------	----------------------------	----------------------------	-----------------

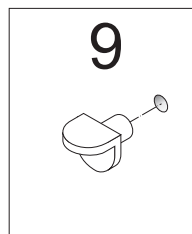
D-60 S3



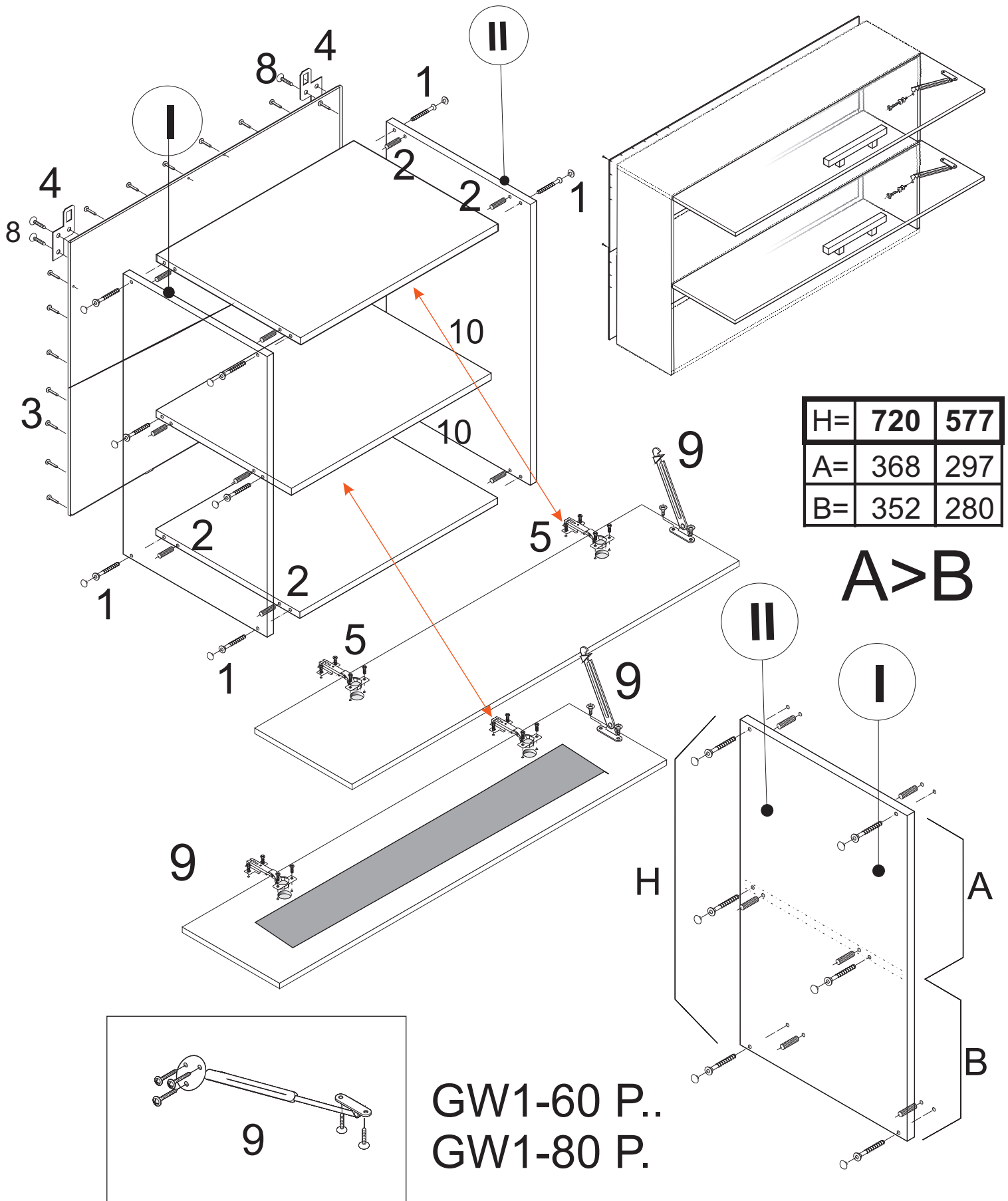




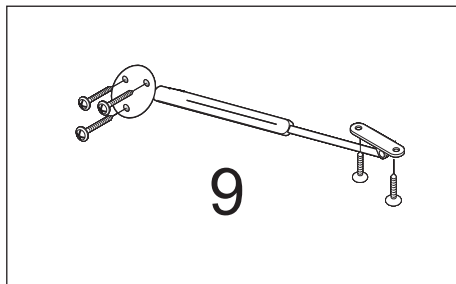
D-40



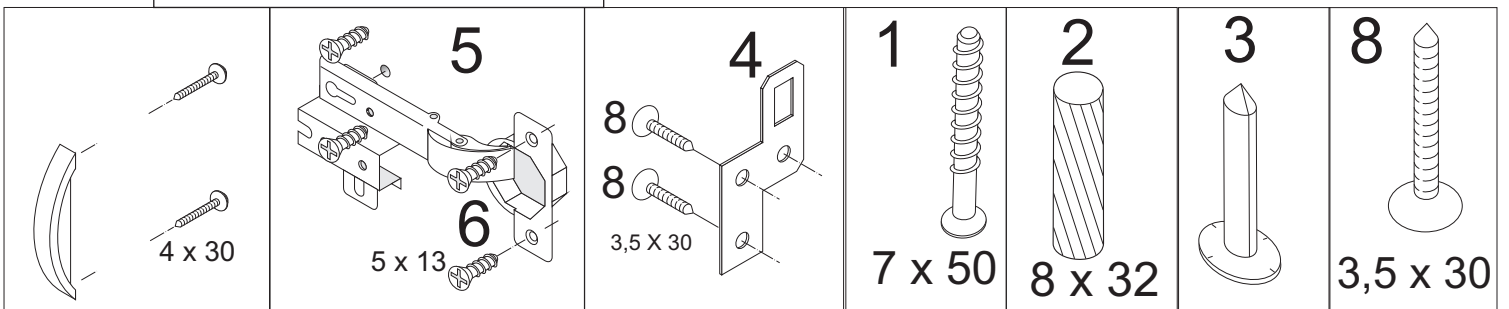
<p>4 x 30</p>	<p>5 x 13</p>	<p>3,5 x 13</p>	<p>7 x 50</p>	<p>8 x 32</p>		<p>3,5 x 30</p>
---------------	---------------	-----------------	---------------	---------------	--	-----------------

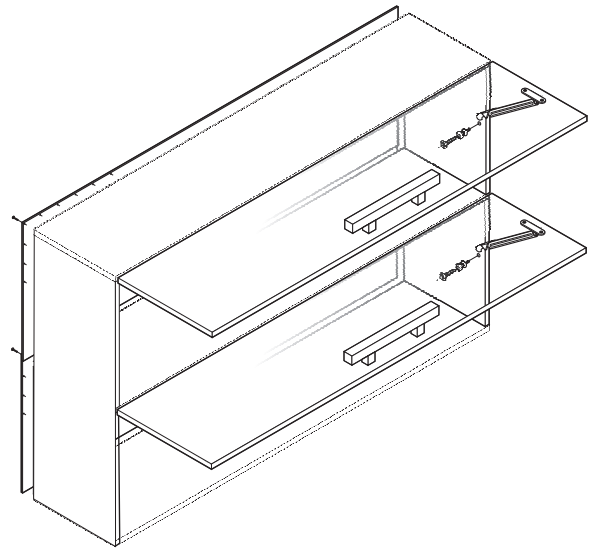
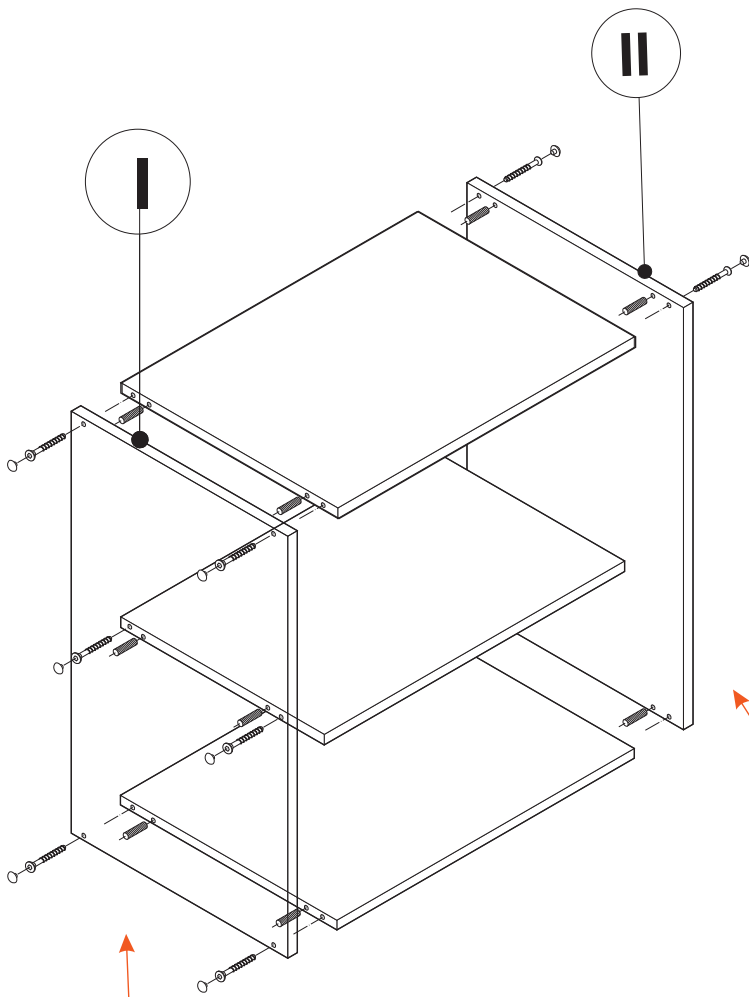


H=	720	577
A=	368	297
B=	352	280



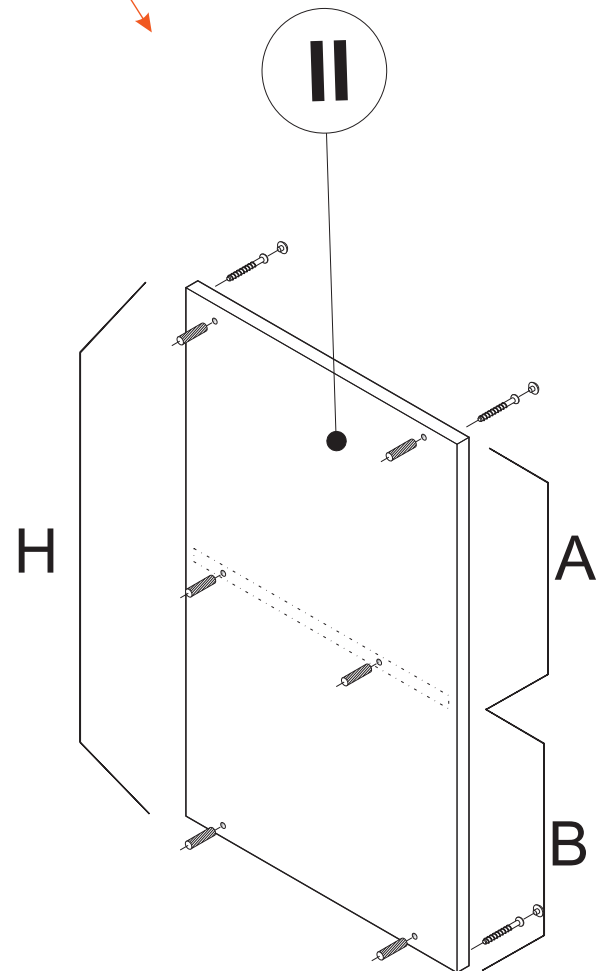
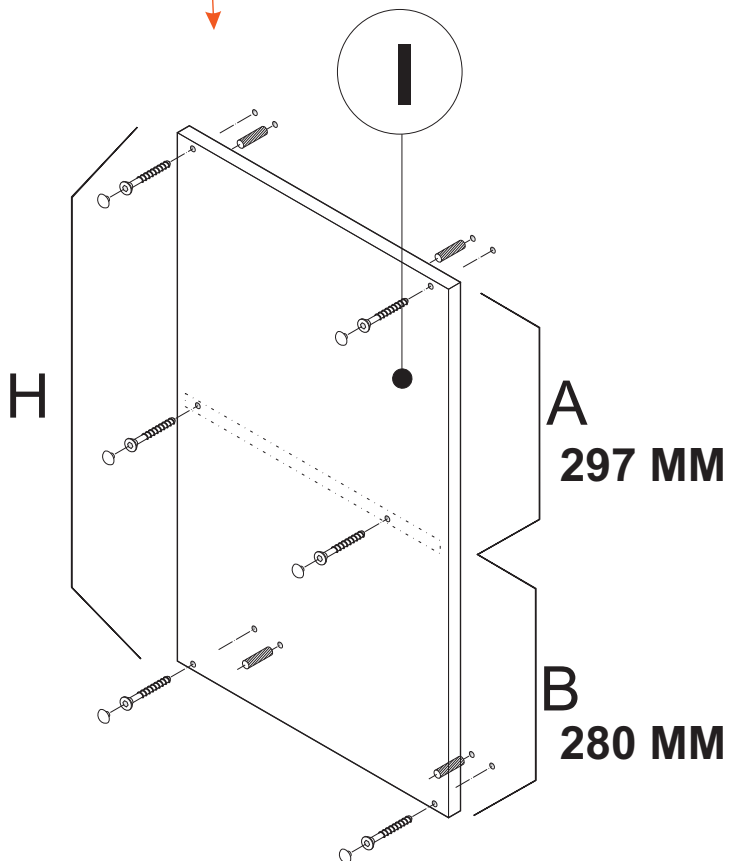
GW1-60 P..
GW1-80 P.

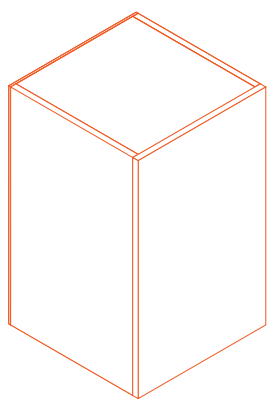
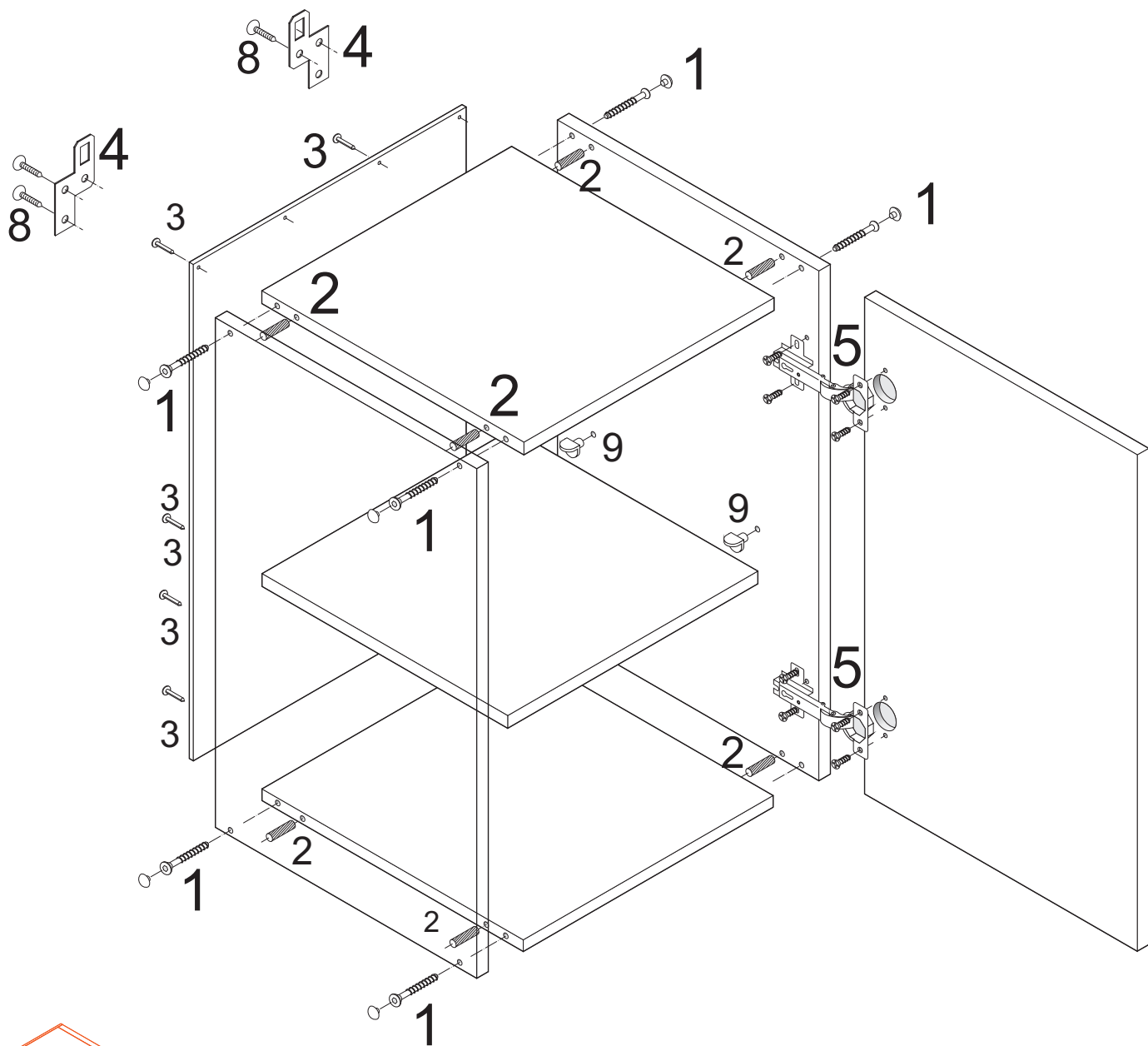




H=	720	577
A=	368	297
B=	352	280

A > B

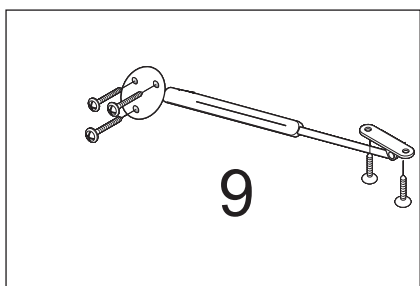
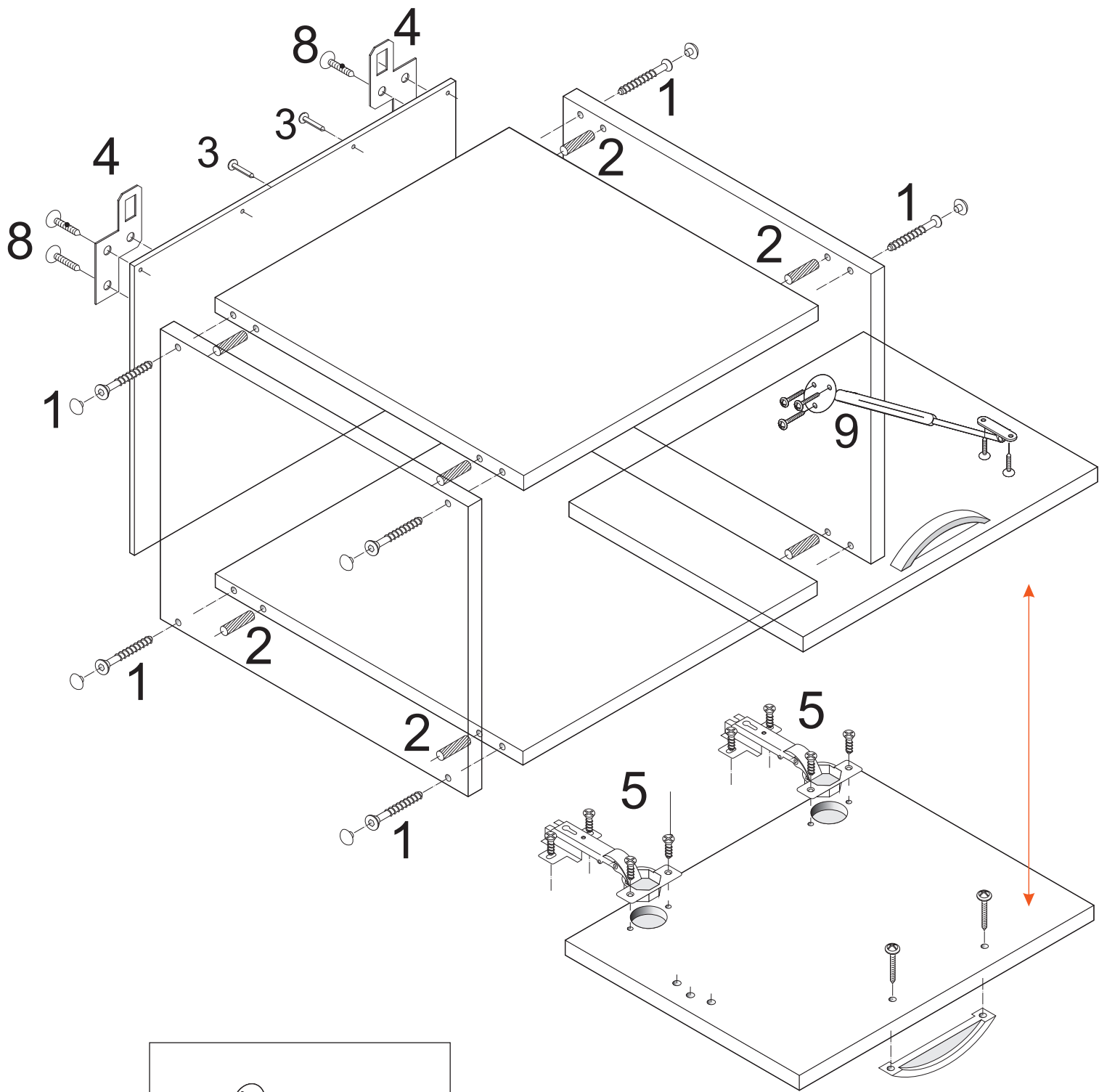




G-40



<p>4 x 30</p>	<p>5 x 13 6</p>	<p>8 8 3,5 X 30</p>	<p>1</p> <p>7 x 50</p>	<p>2</p> <p>8 x 32</p>	<p>3</p>	<p>8</p> <p>3,5 x 30</p>
---------------	------------------------	---------------------	-------------------------------	-------------------------------	-----------------	---------------------------------



OG-60

<p>4 x 30</p>	<p>5 x 13</p>	<p>3,5 X 30</p>	<p>7 x 50</p>	<p>8 x 32</p>		<p>3,5 x 30</p>
---------------	---------------	-----------------	---------------	---------------	--	-----------------