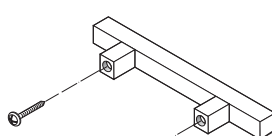
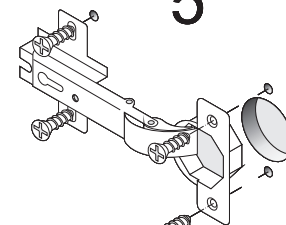
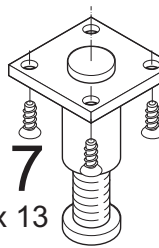
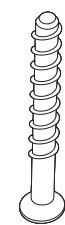

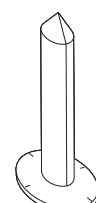
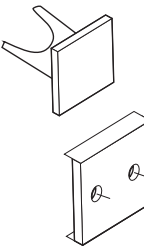
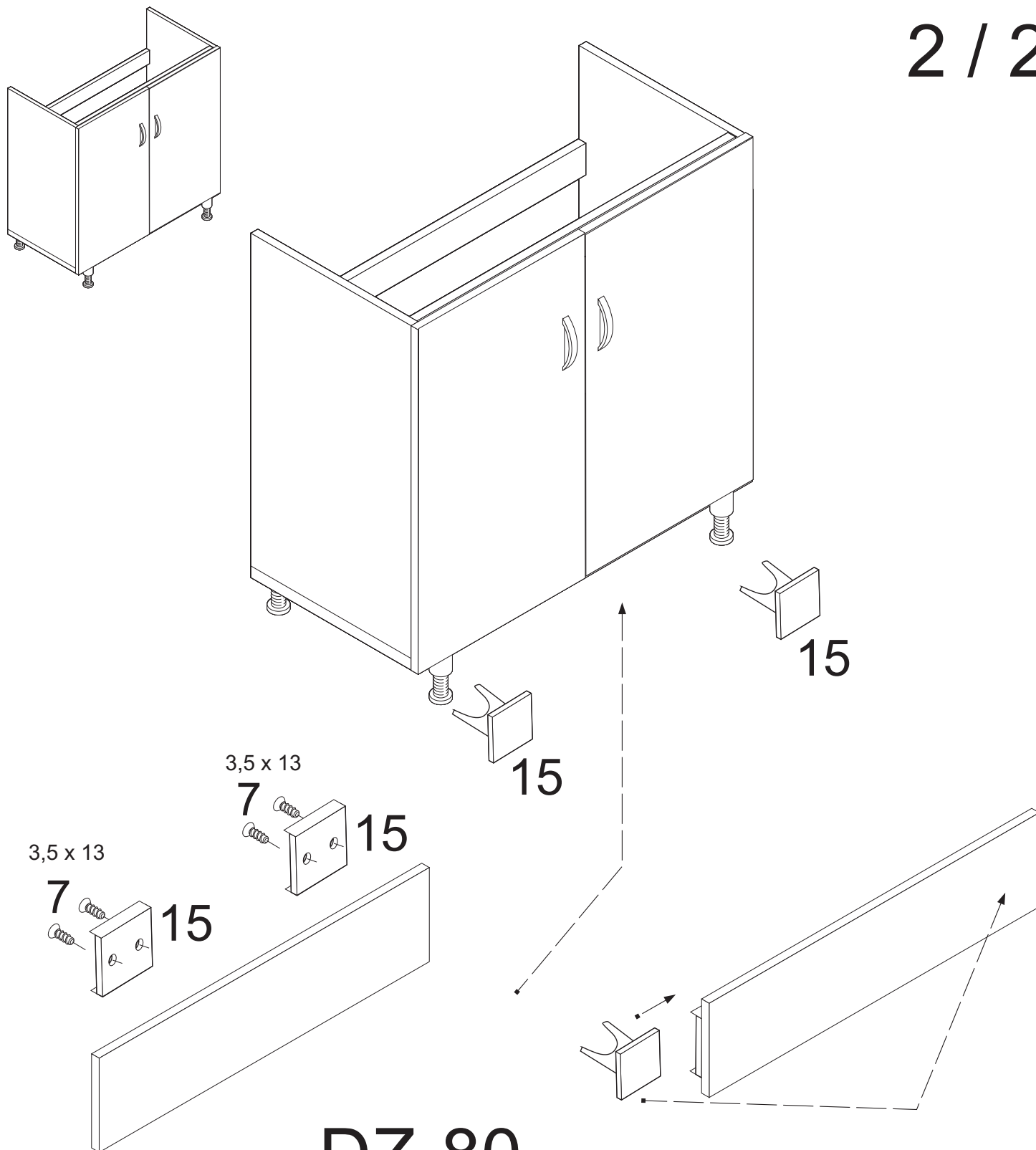
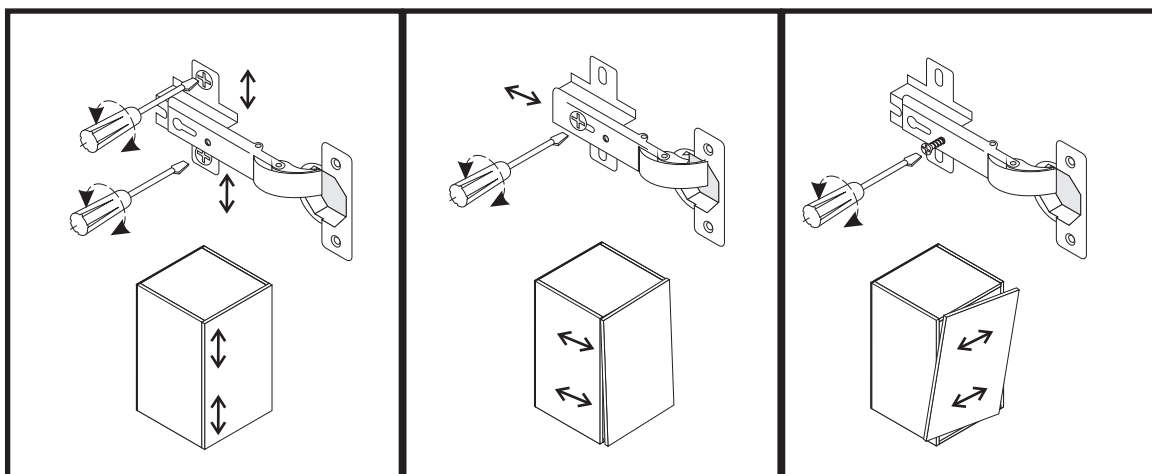


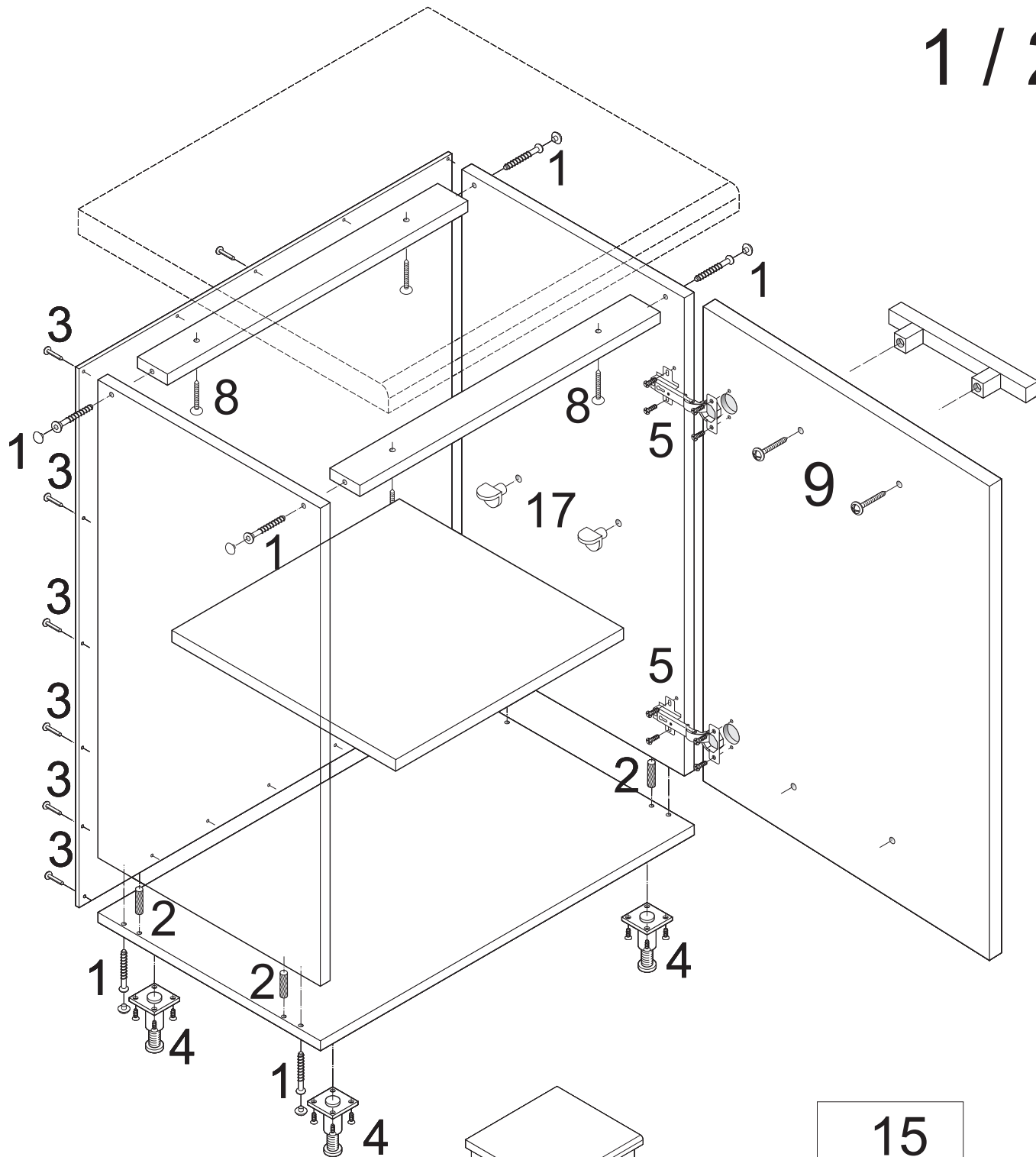
DZ-80

 <p>9</p> <p>4 x 30</p>	 <p>5</p> <p>6 5 x 13</p>	 <p>4</p> <p>7 3,5 x 13</p>	 <p>1</p> <p>7 x 50</p>	 <p>2</p> <p>8 x 32</p>	 <p>3</p>	 <p>15</p>
---	--	--	---	--	--	---

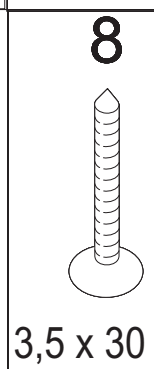
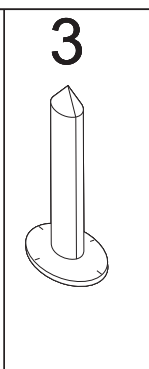
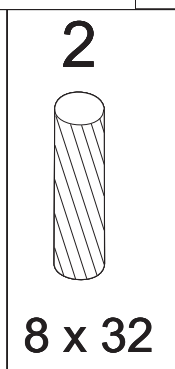
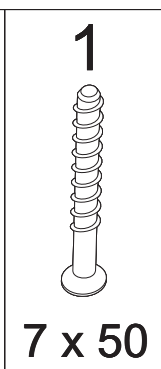
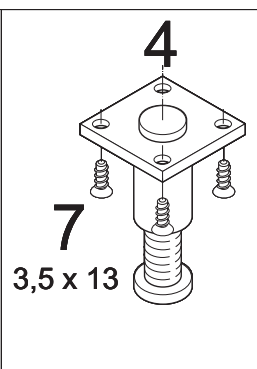
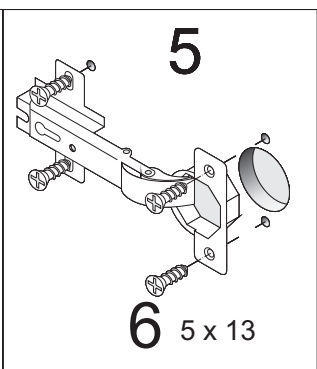
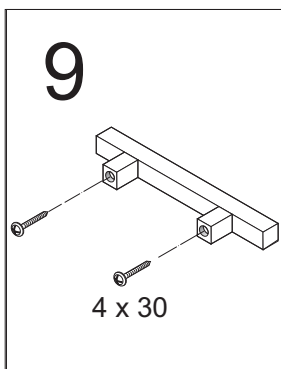
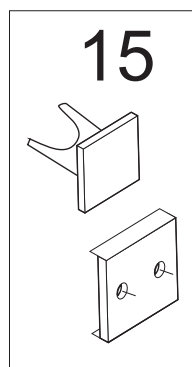


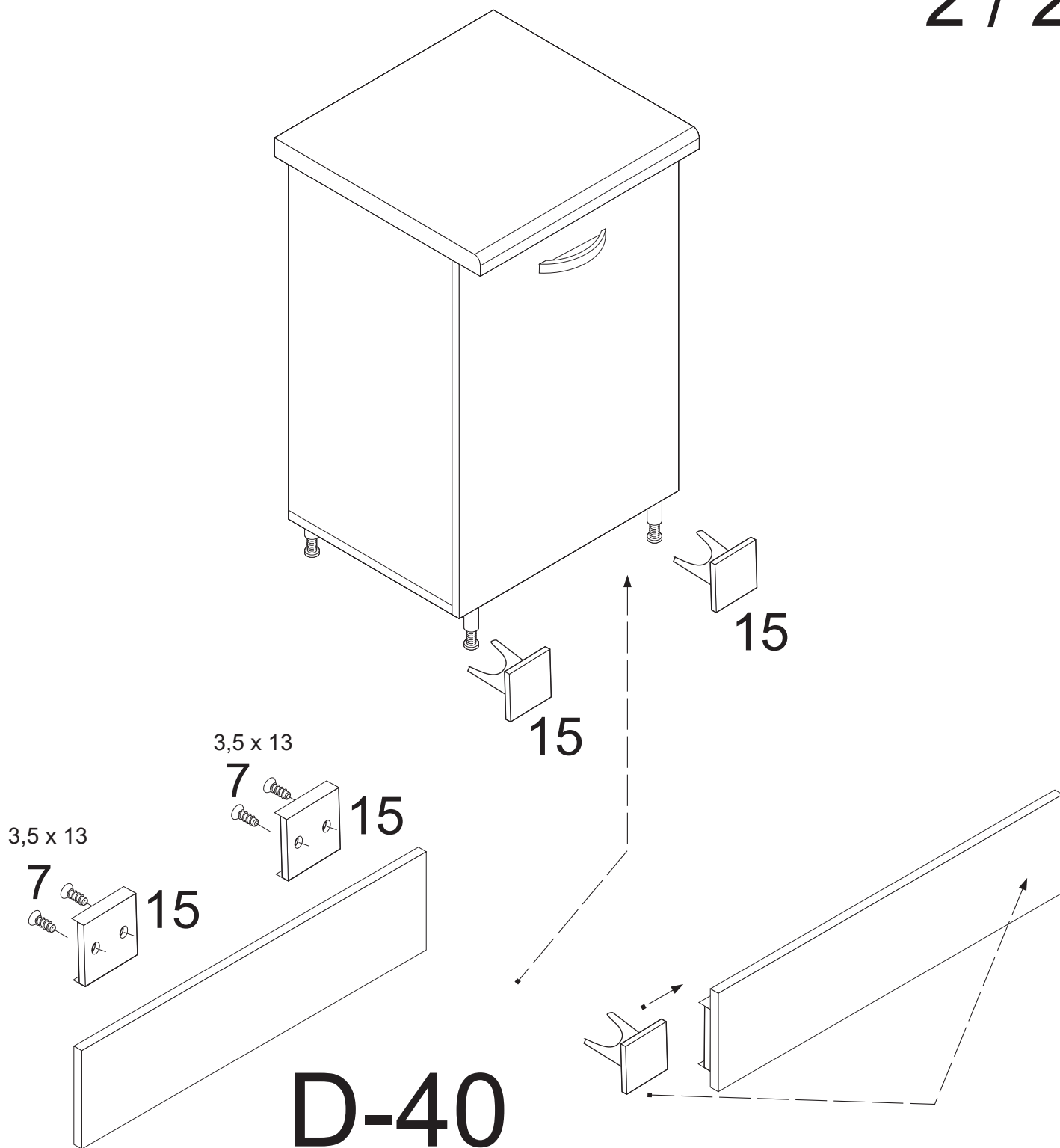
DZ-80



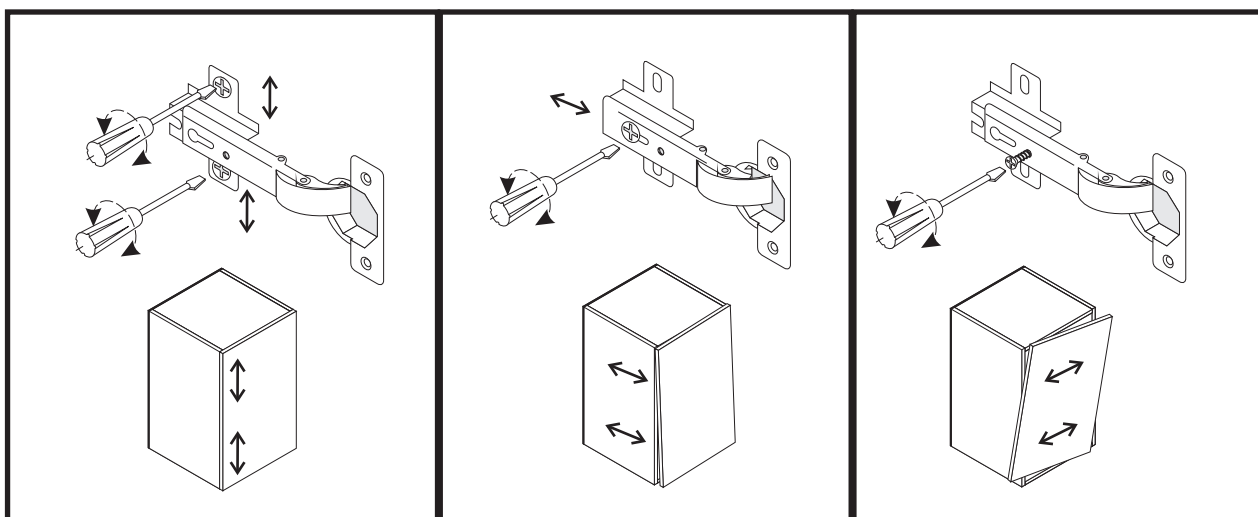


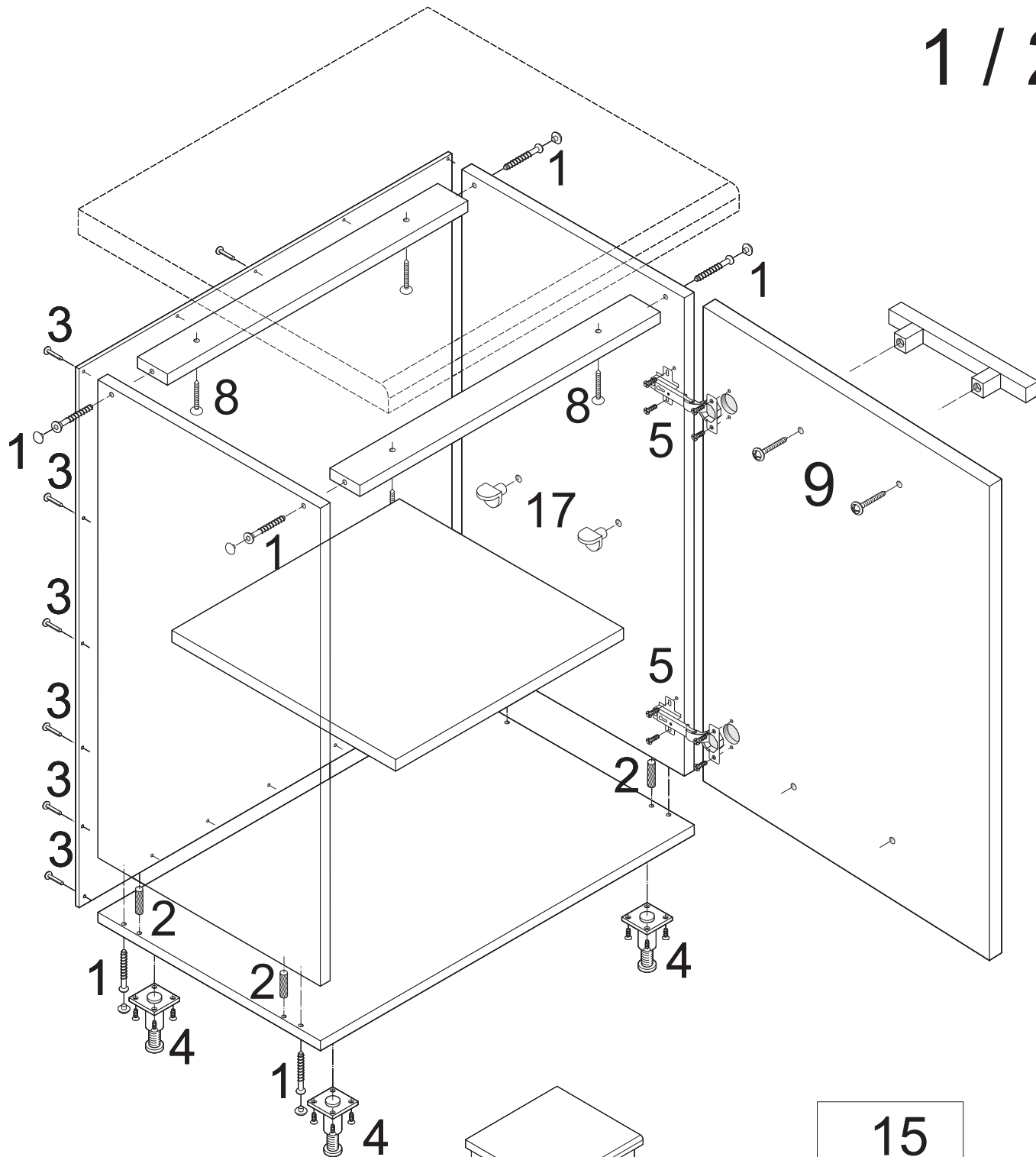
D-40



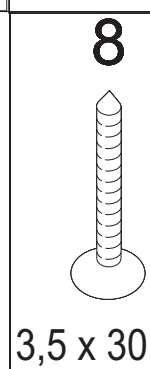
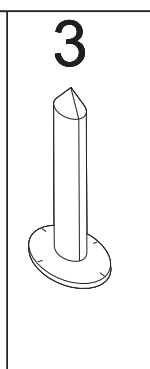
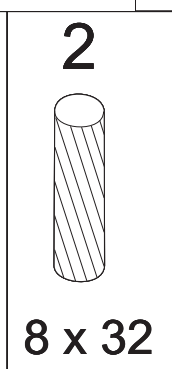
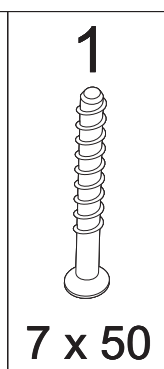
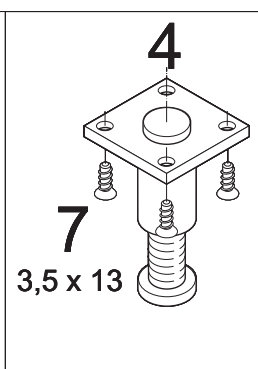
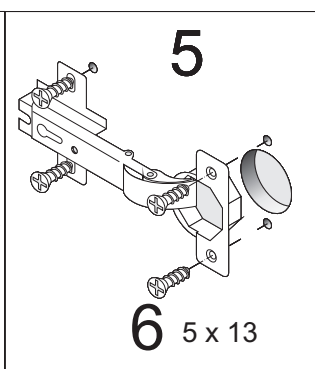
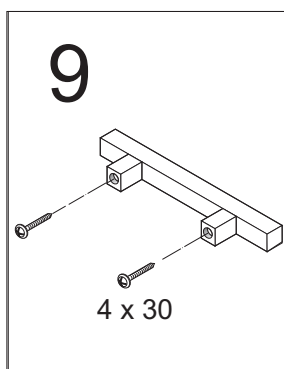
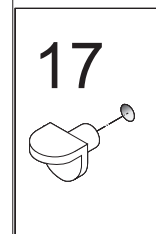
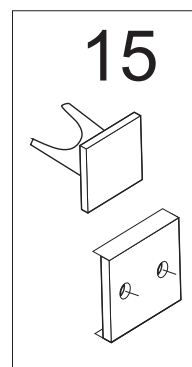
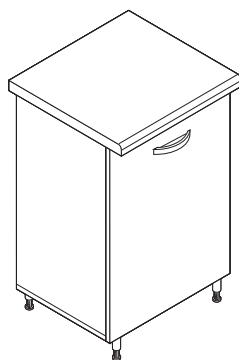


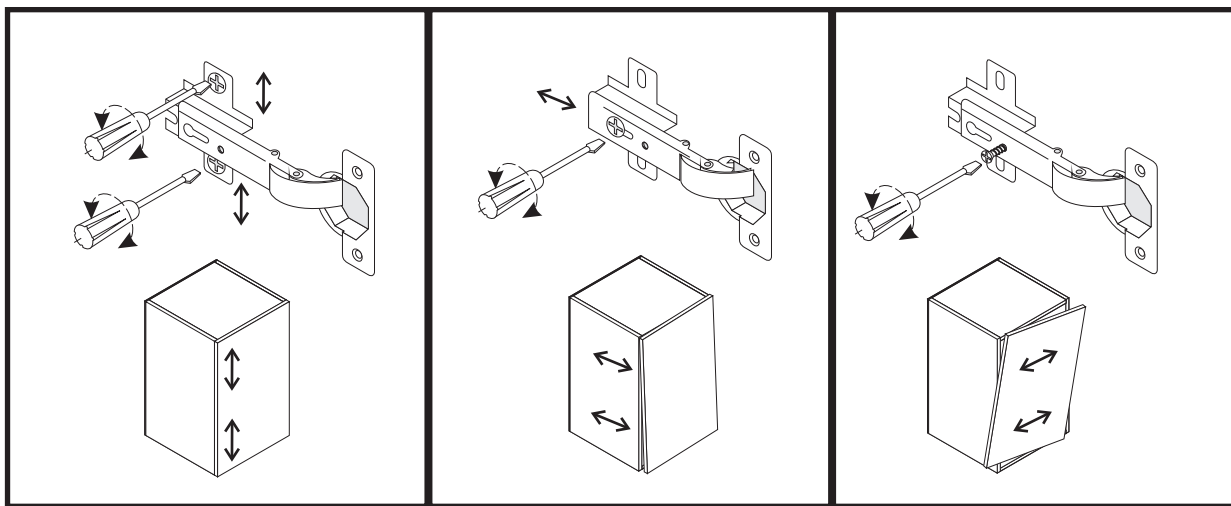
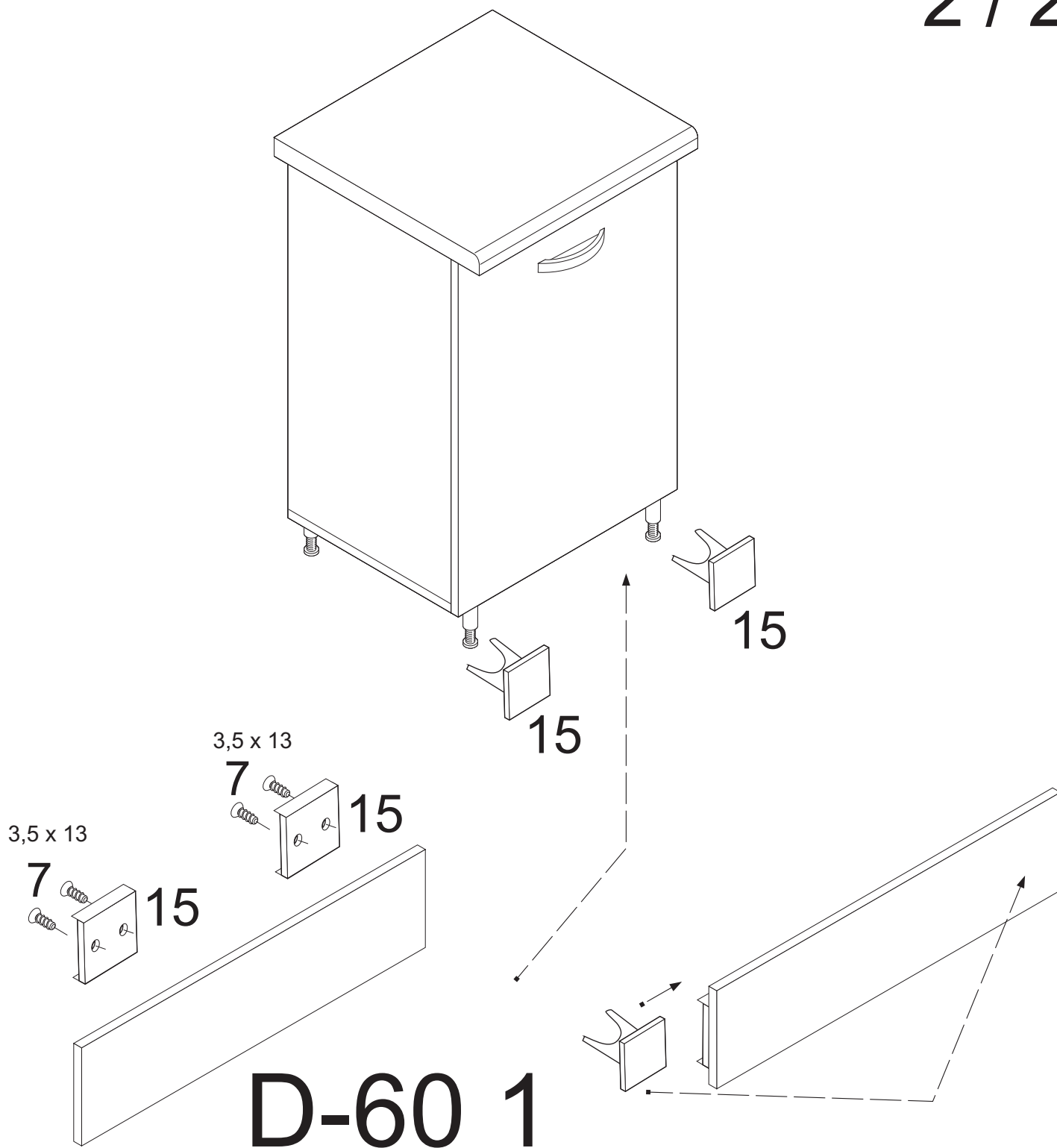
D-40

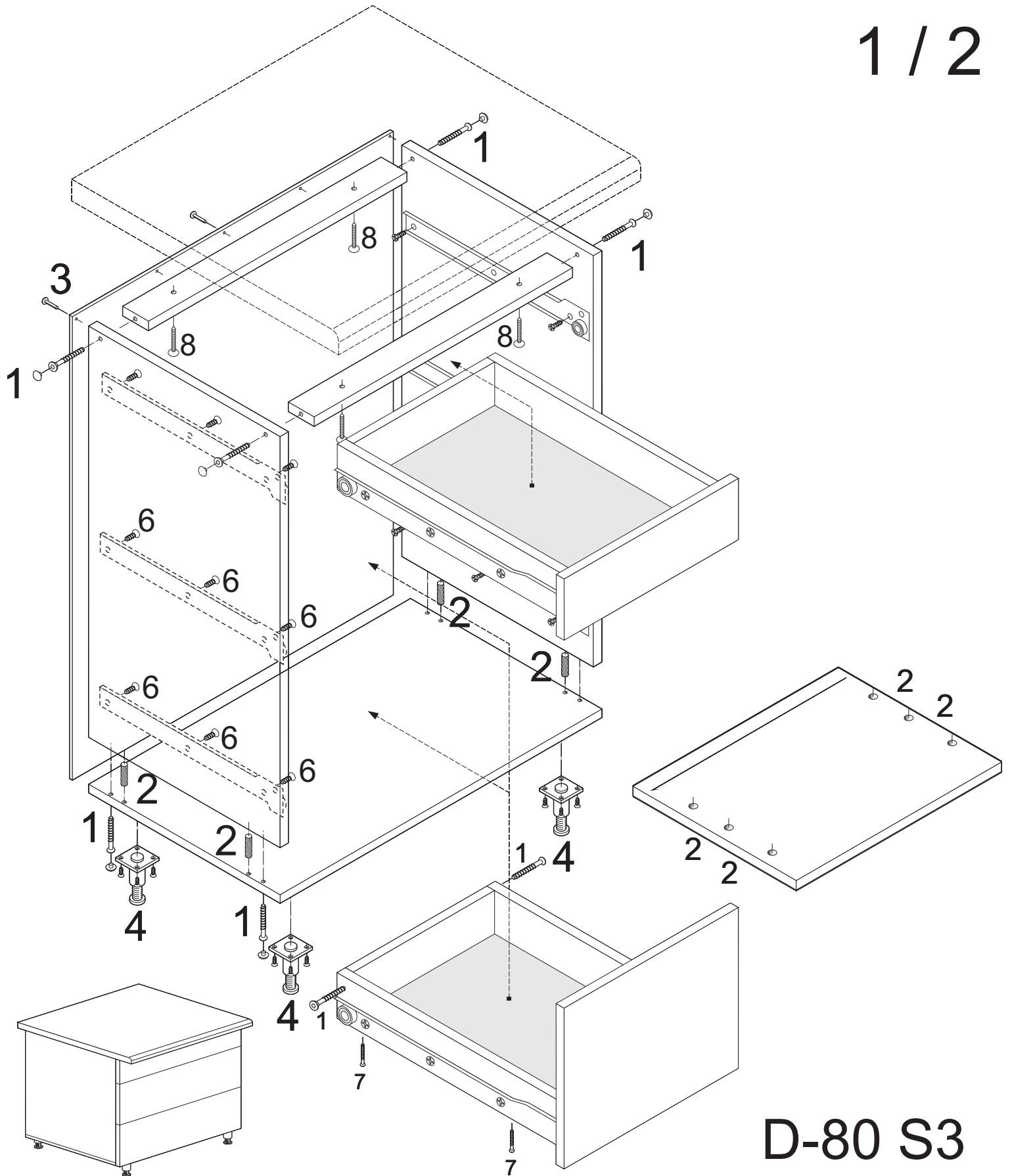





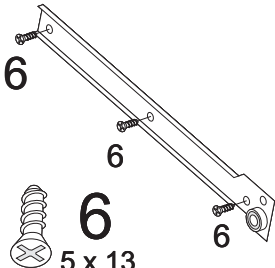
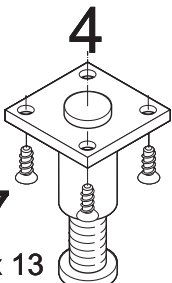

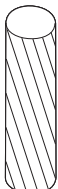
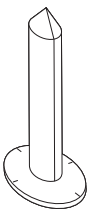
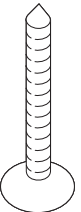
D-60 1

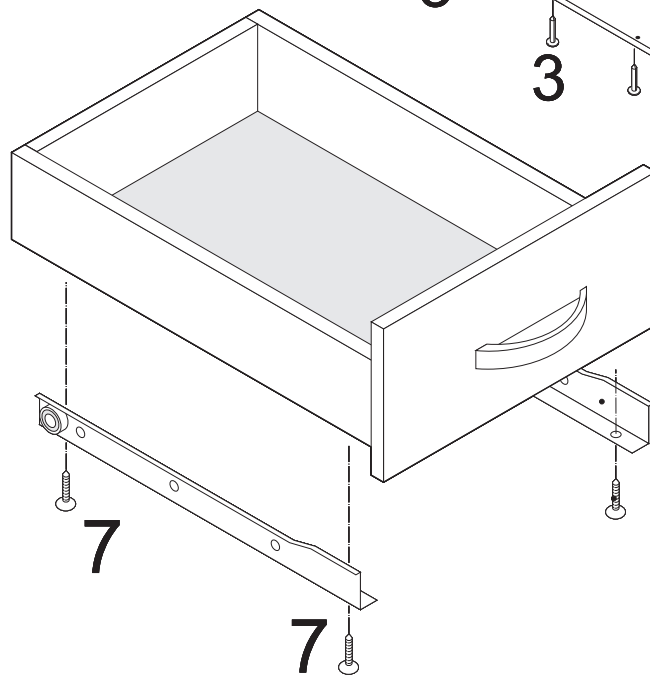
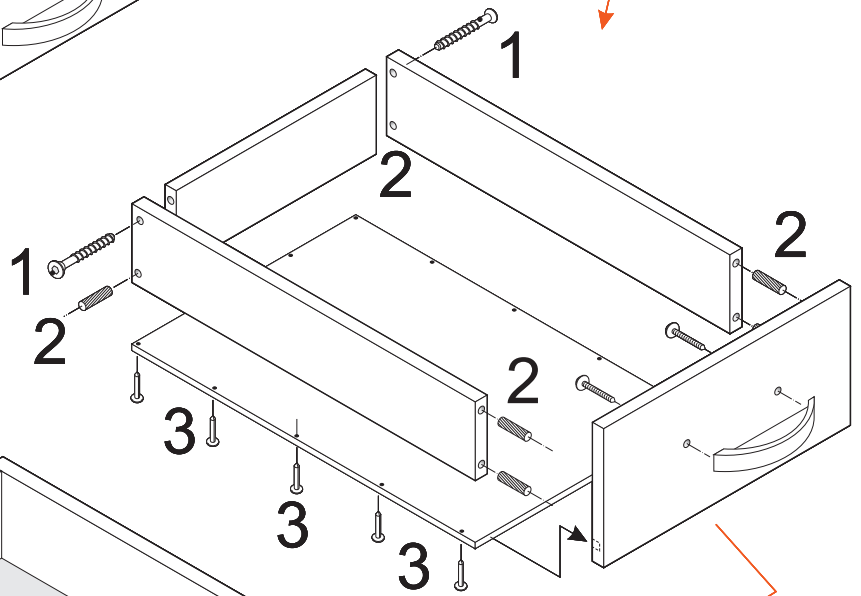
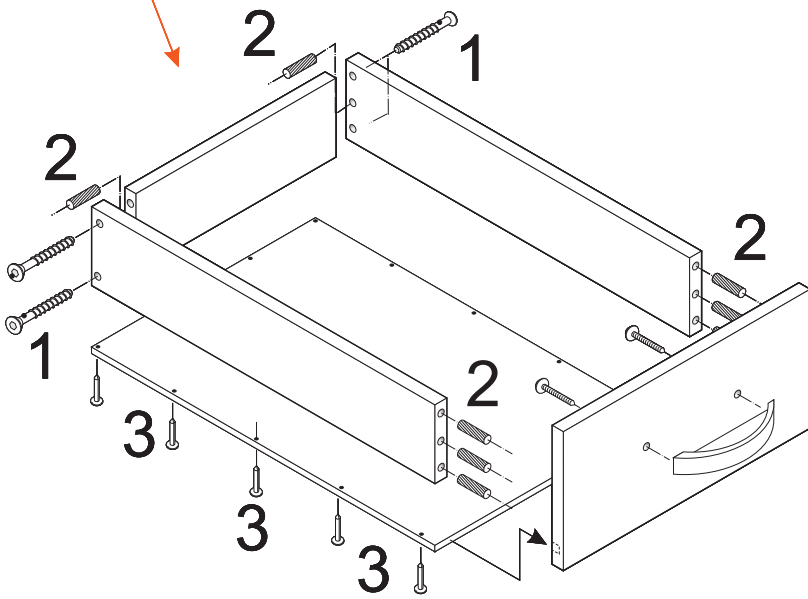
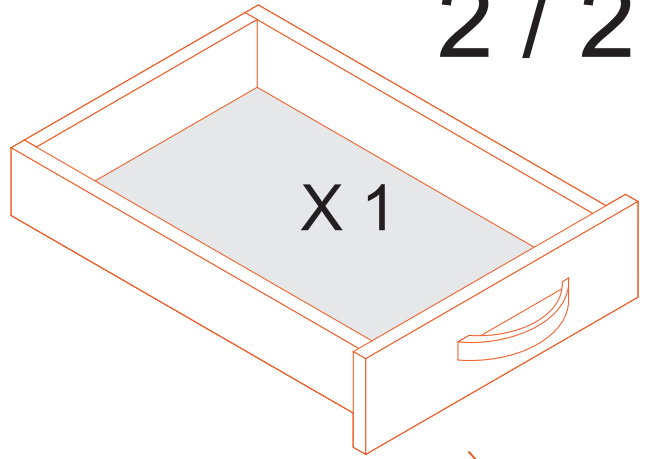
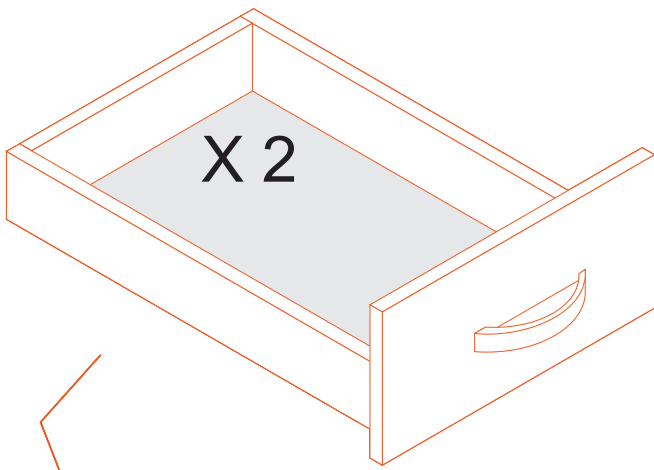


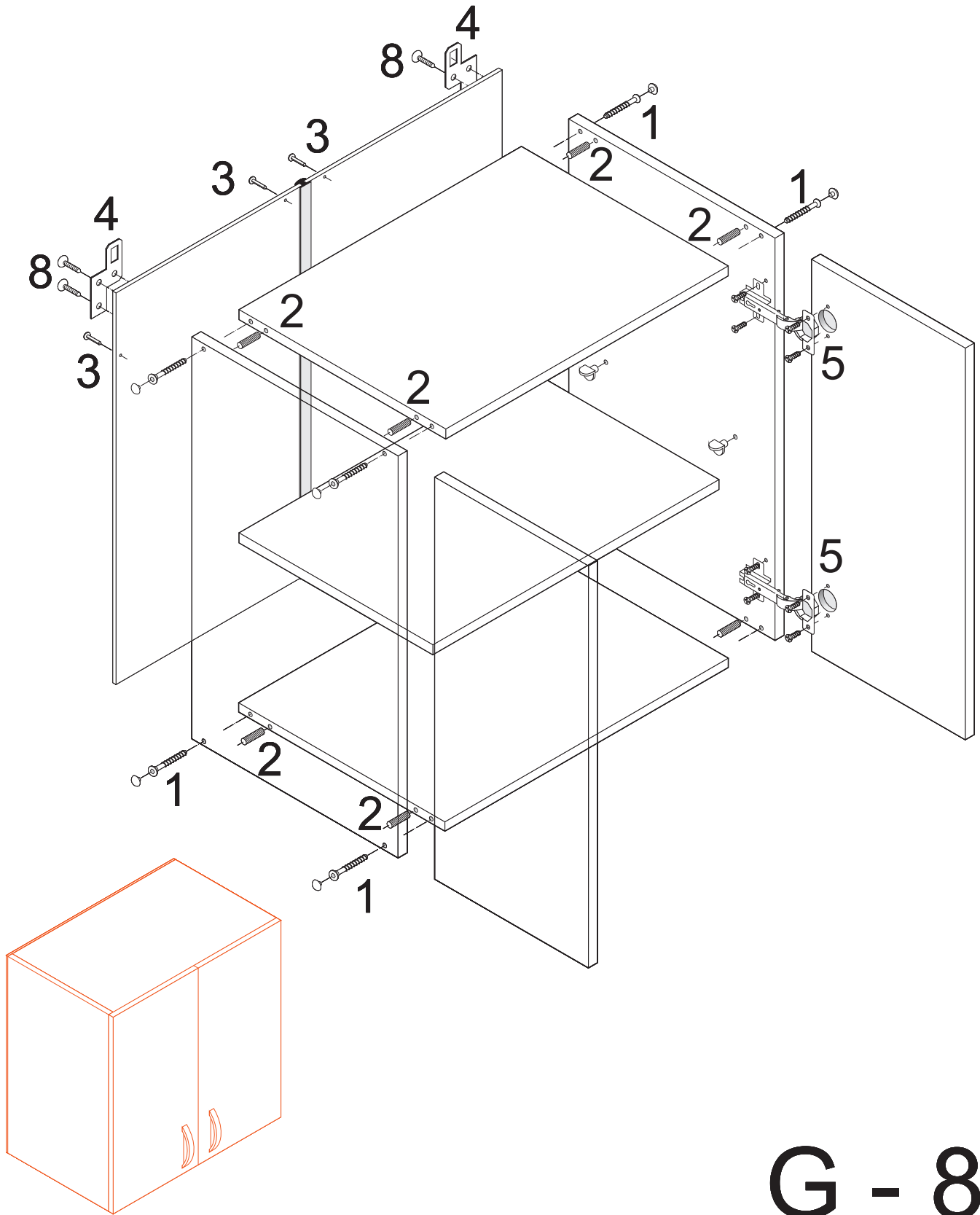




D-80 S3

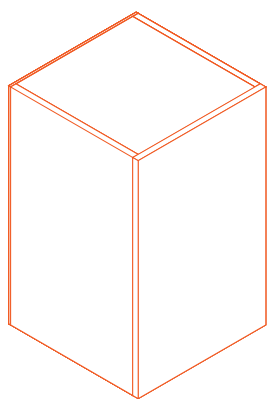
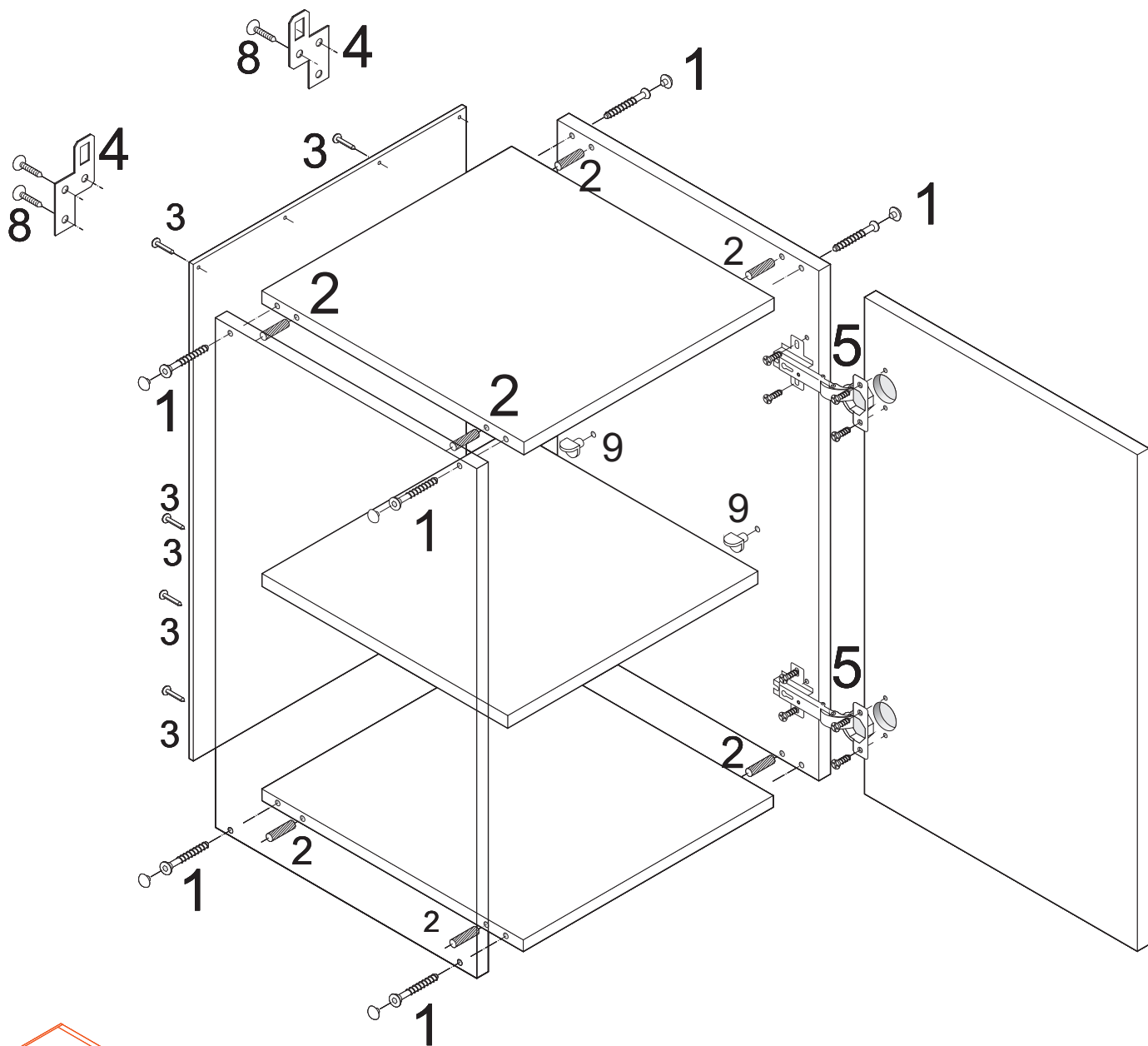
 <p>4 x 30</p>	 <p>6 5 x 13 6</p>	 <p>4 7 3,5 x 13</p>	 <p>1 7 x 50</p>	 <p>2 8 x 32</p>	 <p>3</p>	 <p>8 3,5 x 30</p>
---	---	---	--	---	--	---



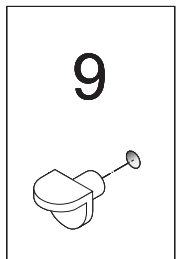


G - 80

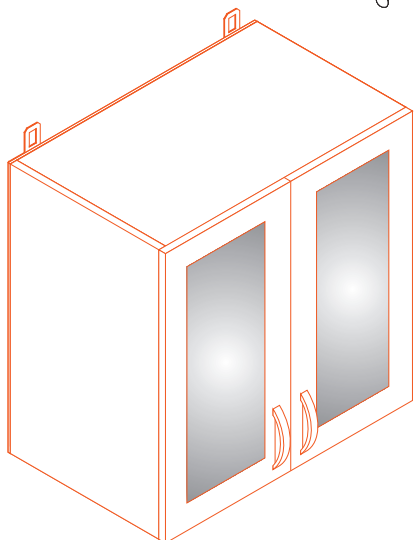
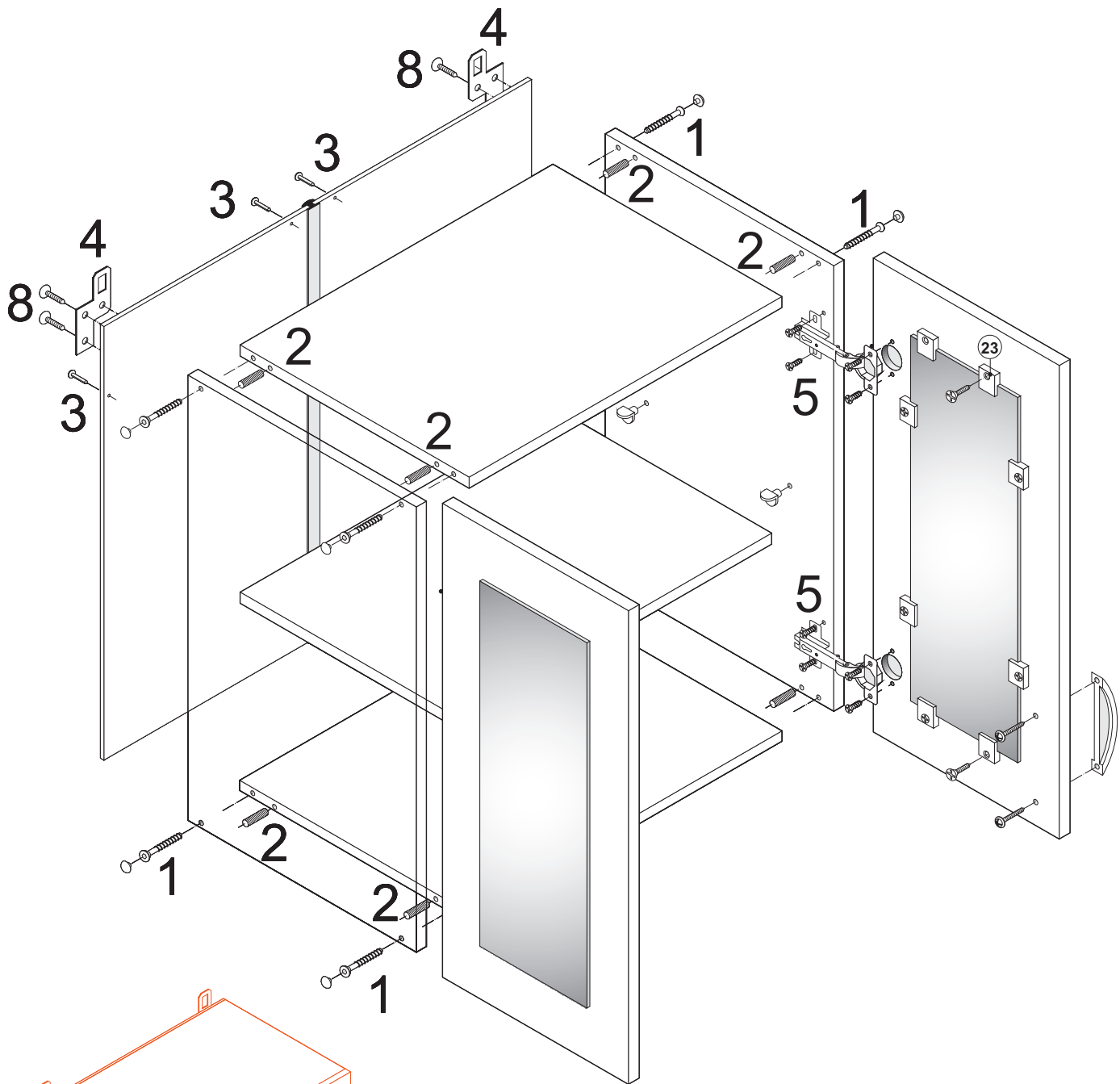
<p>4 x 30</p>	<p>5 x 13</p> <p>6</p>	<p>8</p> <p>8</p> <p>3,5 X 30</p> <p>4</p>	<p>1</p> <p>7 x 50</p>	<p>2</p> <p>8 x 32</p>	<p>3</p>	<p>8</p> <p>3,5 x 30</p>
---------------	------------------------	--	------------------------	------------------------	----------	--------------------------



G-40 + G-60 1



<p>4 x 30</p>	<p>5 x 13 6</p>	<p>4 8 8 3,5 X 30</p>	<p>1 7 x 50</p>	<p>2 8 x 32</p>	<p>3</p>	<p>8 3,5 x 30</p>
---------------	------------------------	--	----------------------------	----------------------------	-----------------	------------------------------



GW - 80

<p>4 x 30</p>	<p>5 x 13 6</p>	<p>4</p> <p>8 x 3,5 X 30</p>	<p>1</p> <p>7 x 50</p>	<p>2</p> <p>8 x 32</p>	<p>3</p>	<p>8</p> <p>3,5 x 30</p>
---------------	------------------------	-------------------------------------	-------------------------------	-------------------------------	-----------------	---------------------------------