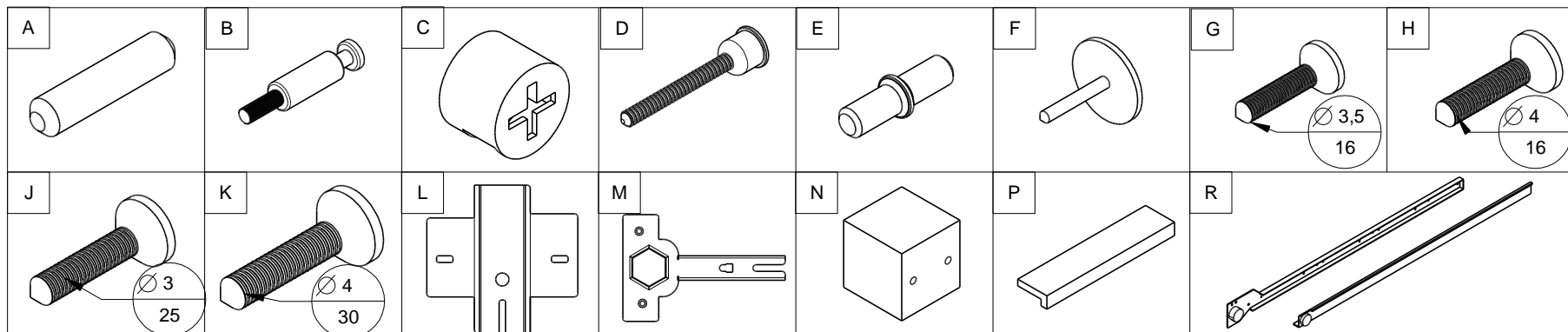
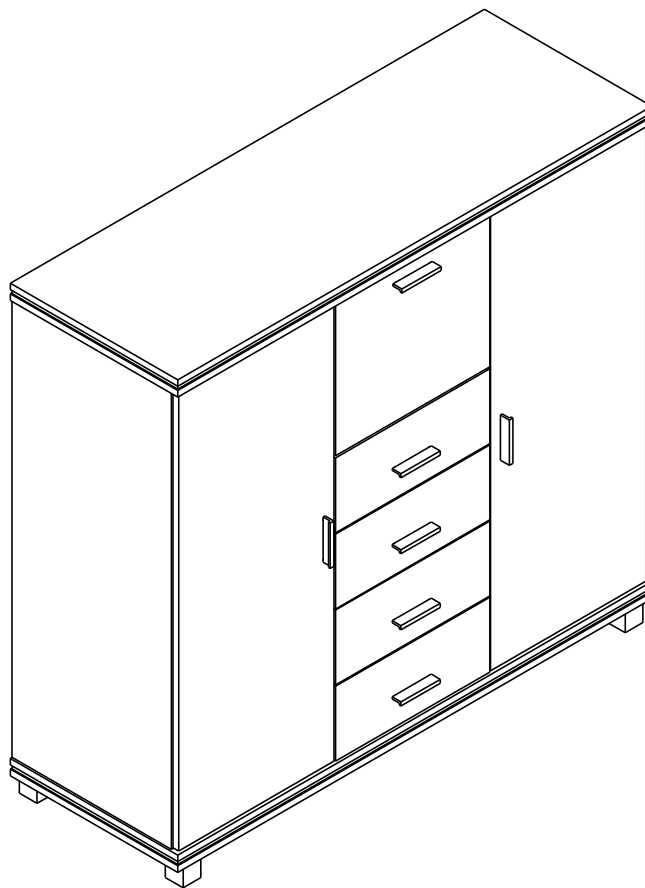
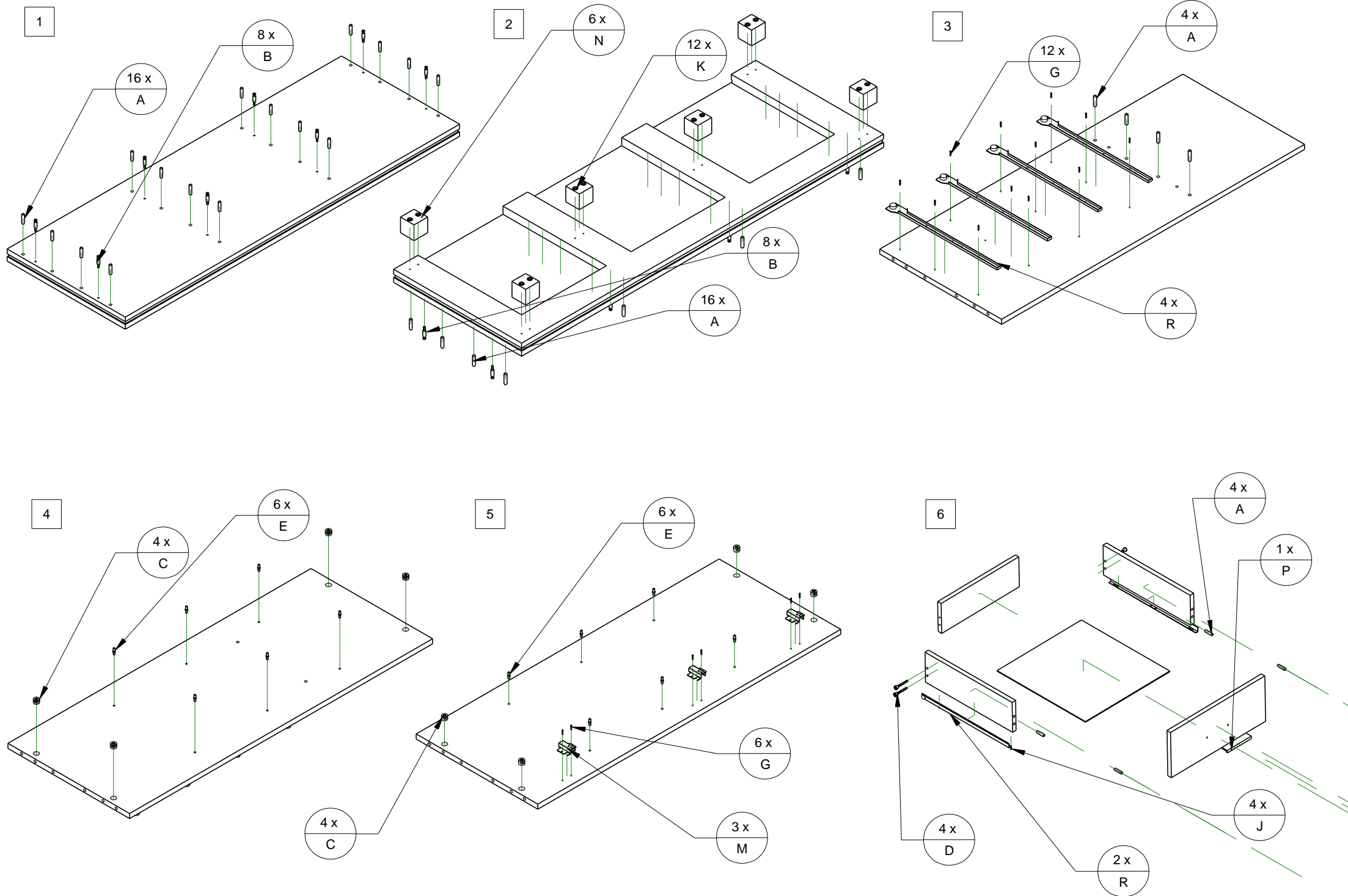
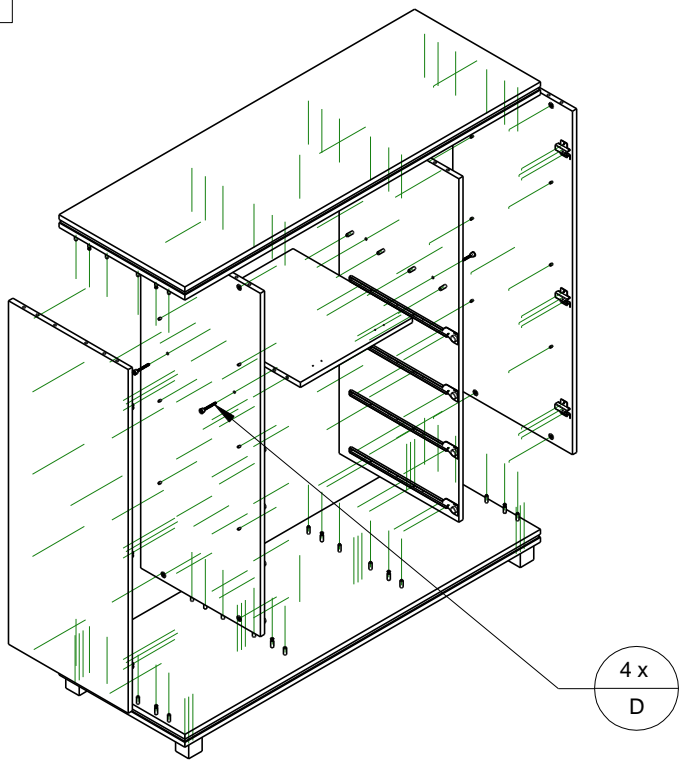


# CARLA 11 KOMODA CK2W4SB



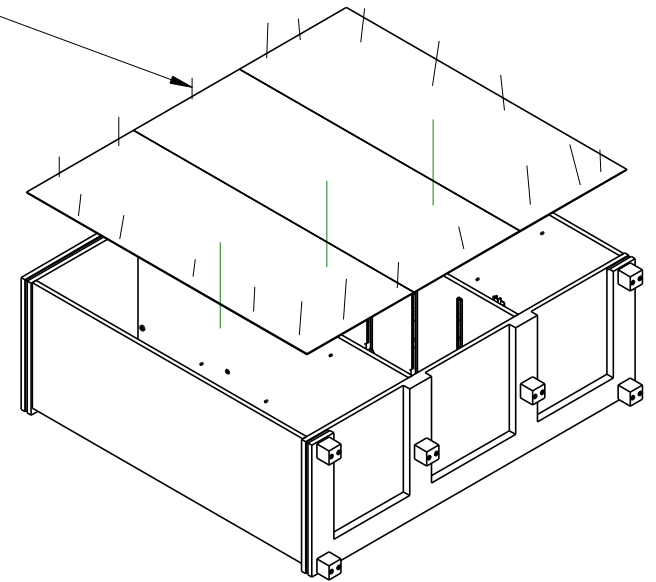
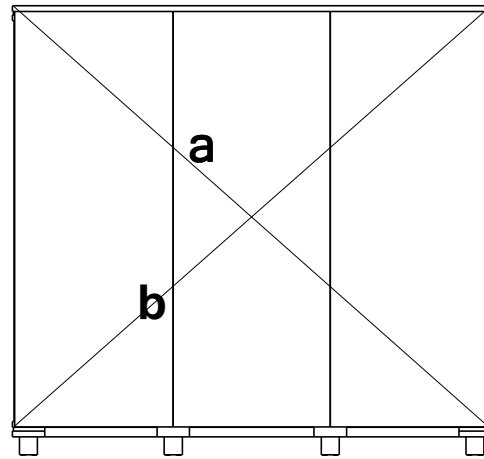


7

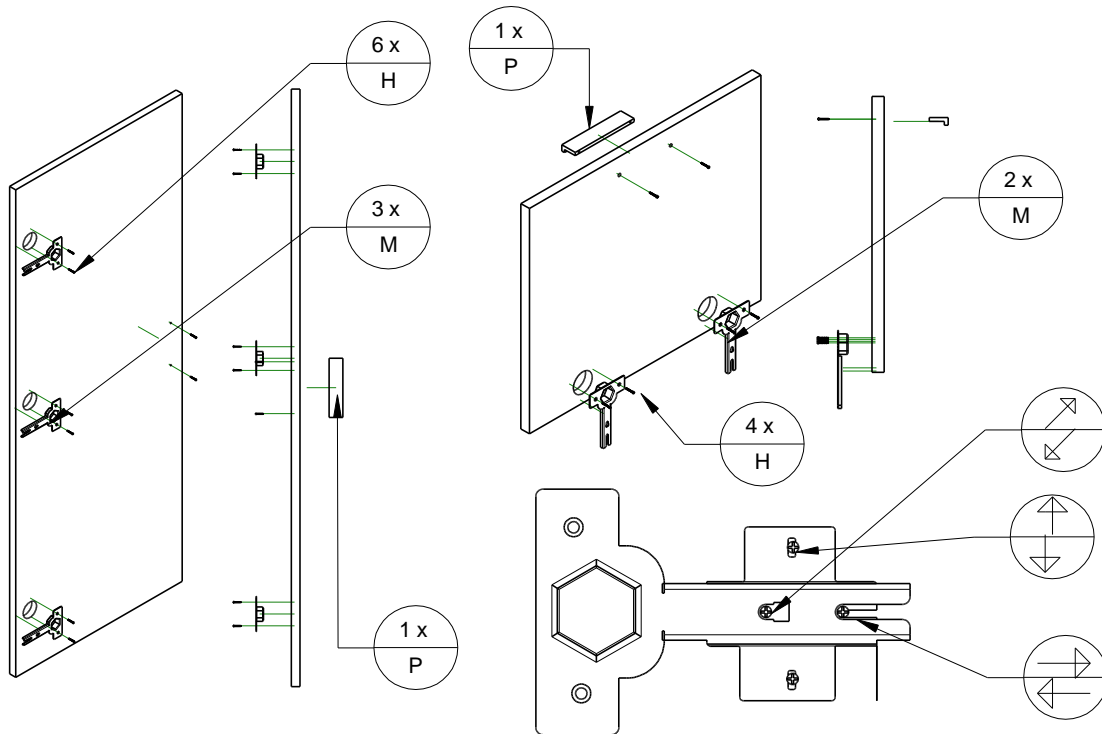


8

**a=b !**  $\frac{120 \times}{F}$



9



10

