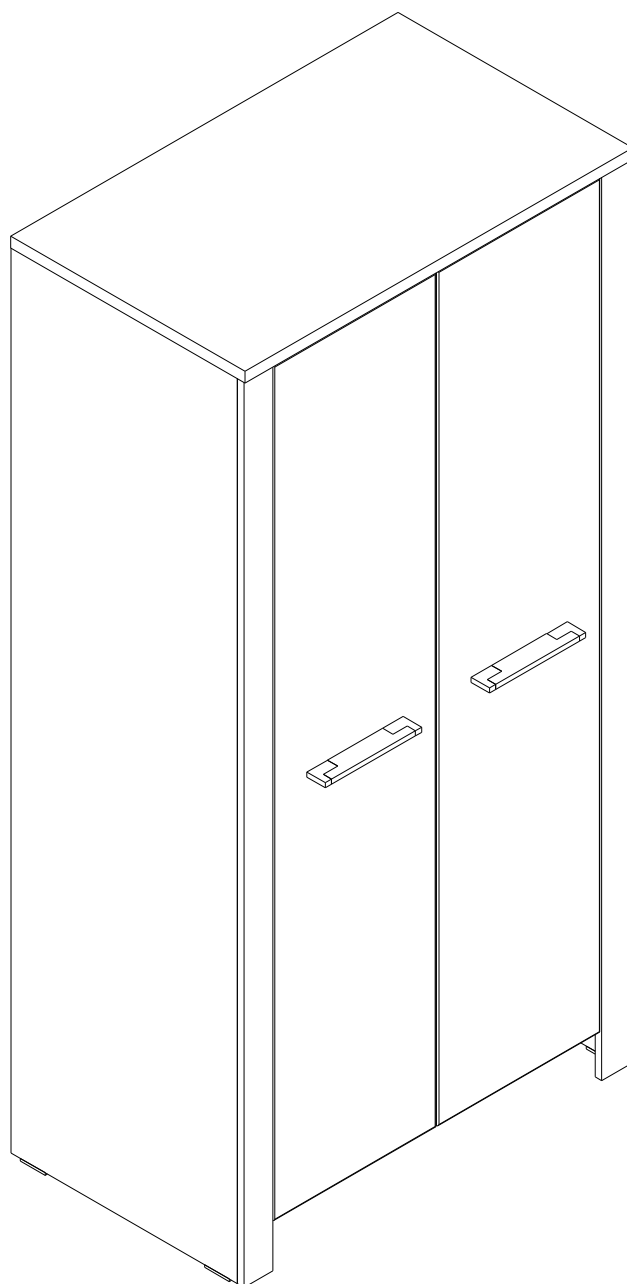
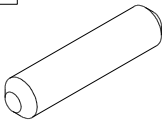
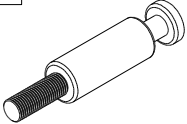
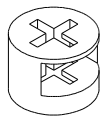
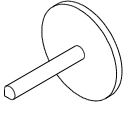
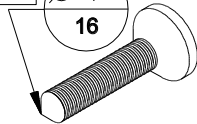
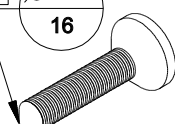
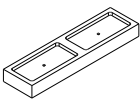
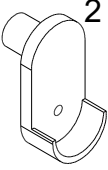
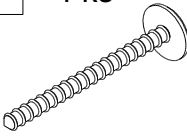
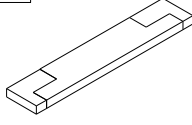
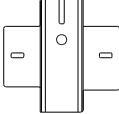
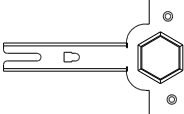
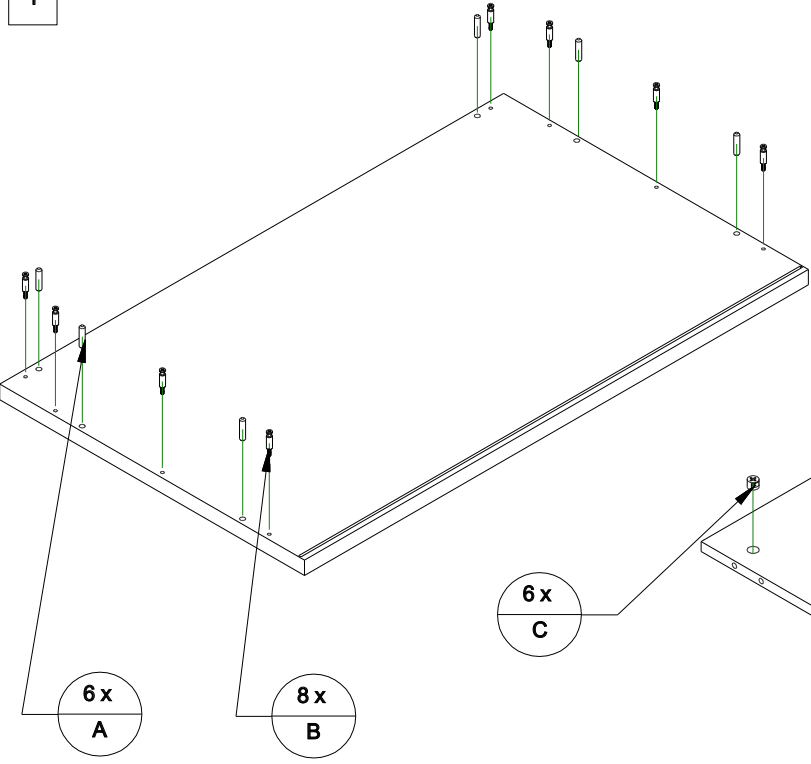


BIANCA TYP 1 - SKRINA 2D

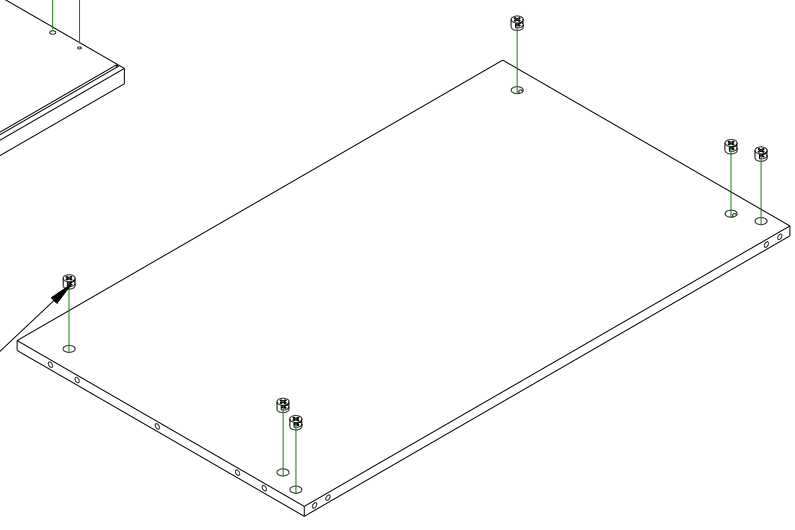


A	28 ks	B	28 ks	C	28 ks	D	28 ks	E	$\varnothing 3,5$ 14 ks 16	F	$\varnothing 4$ 12 ks 16
											
G	4 ks	H	2 ks	J	4 ks	K	2 ks	L	6 ks	M	6 ks
											

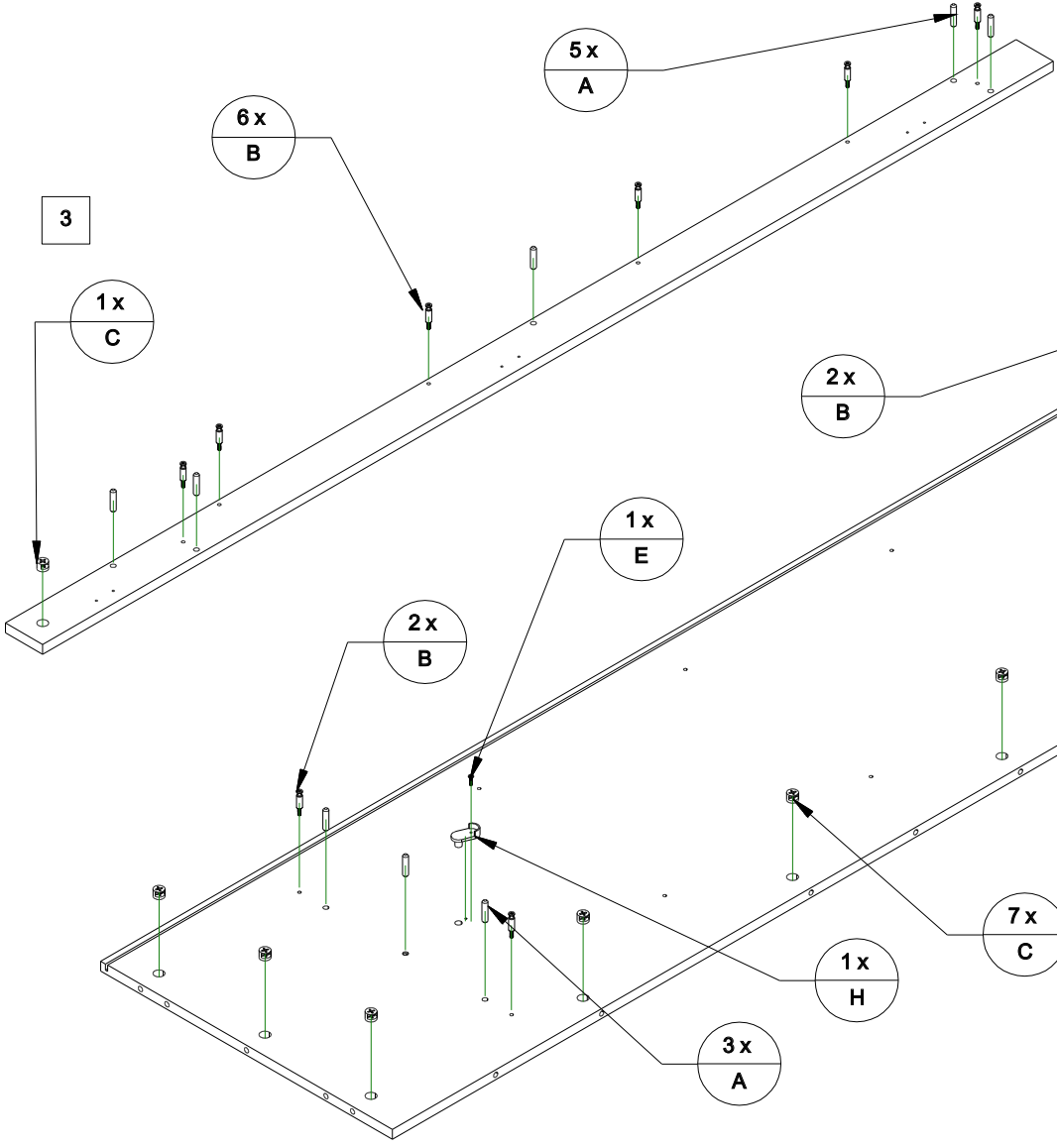
1



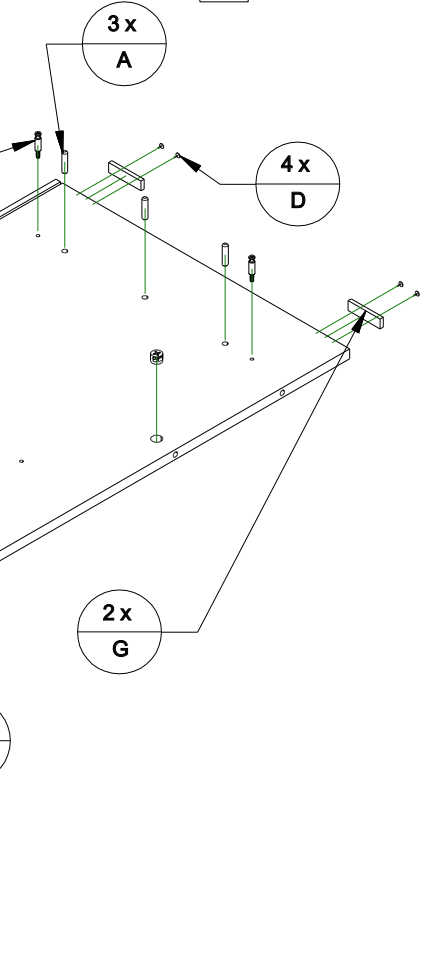
2



3



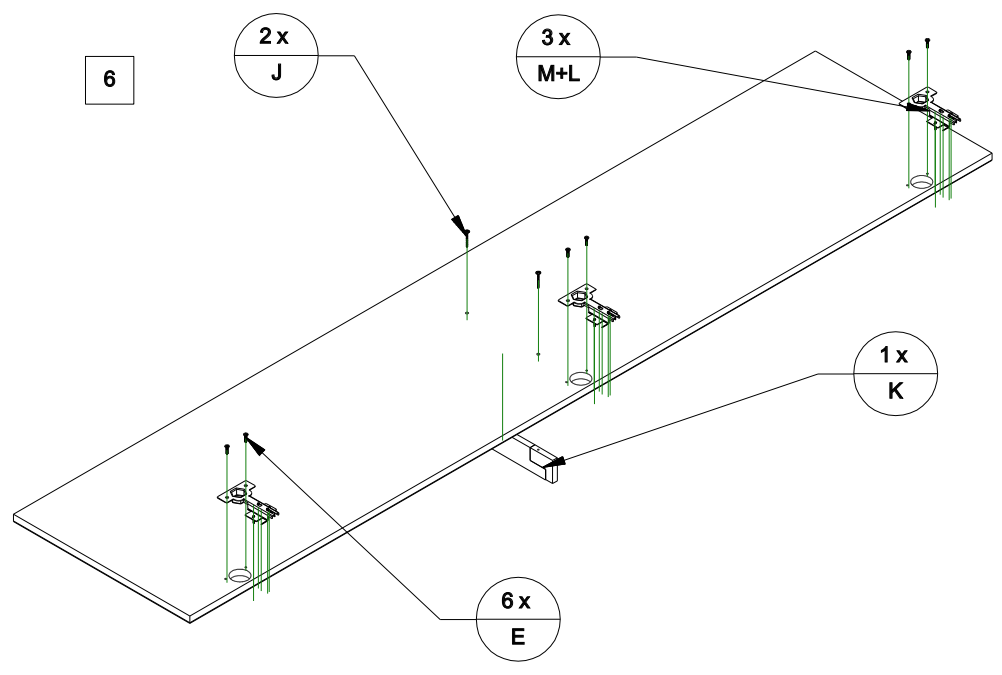
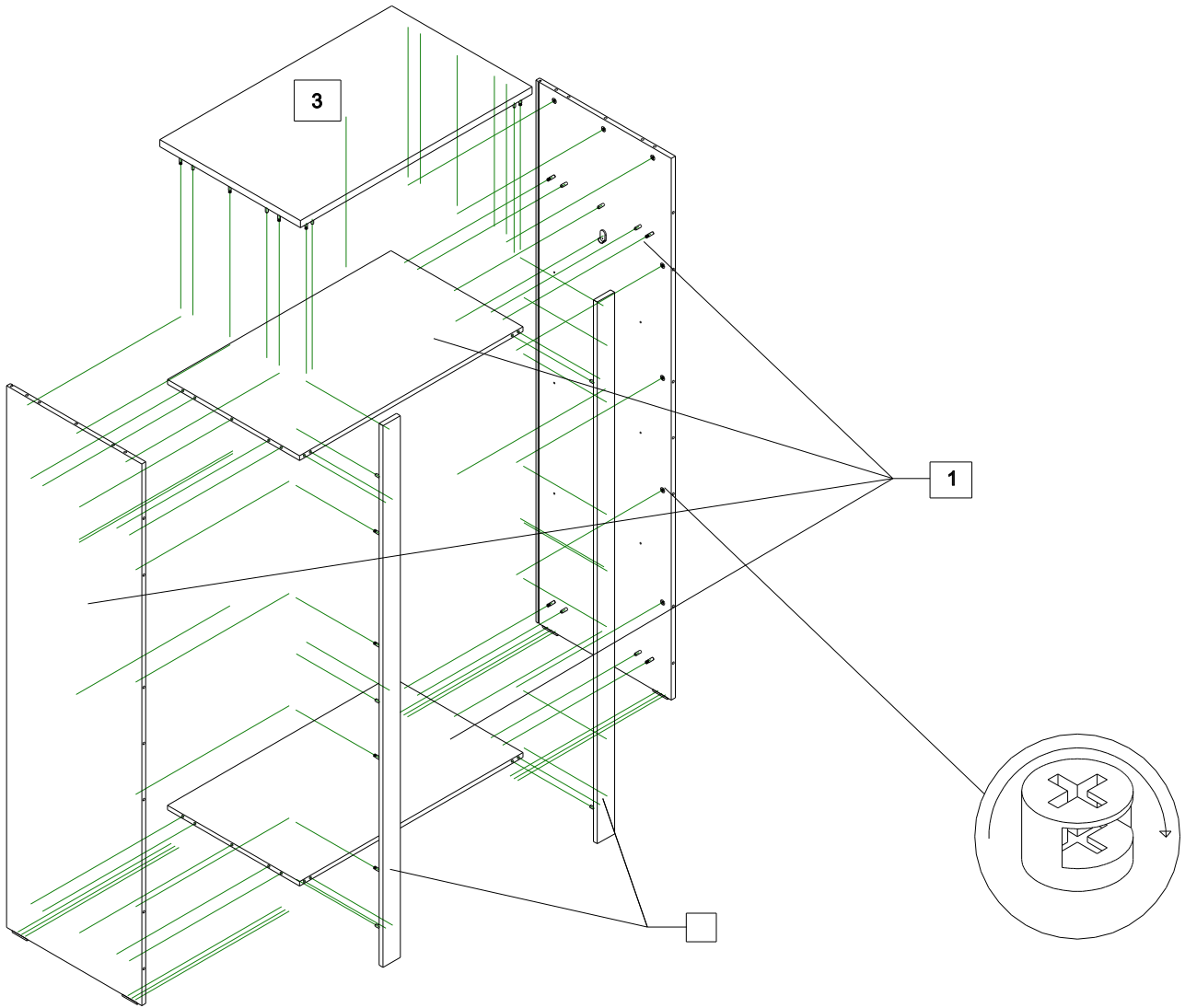
4



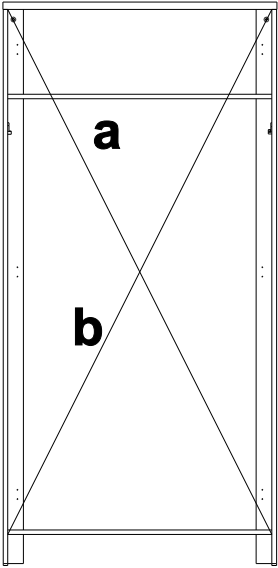
1x H

3x A

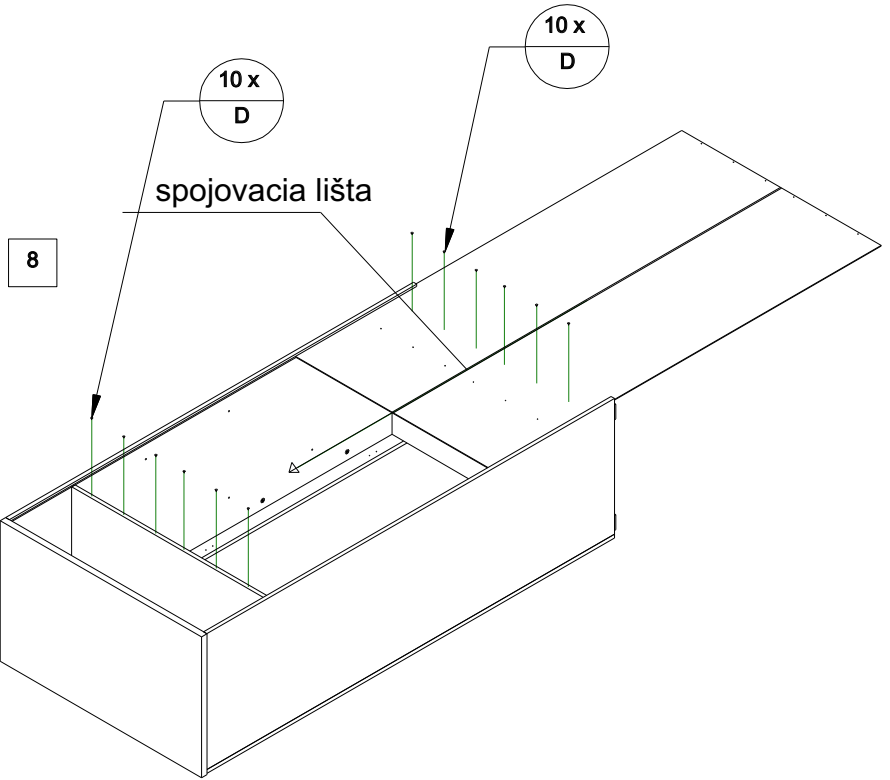
5



7



a=b !



9

