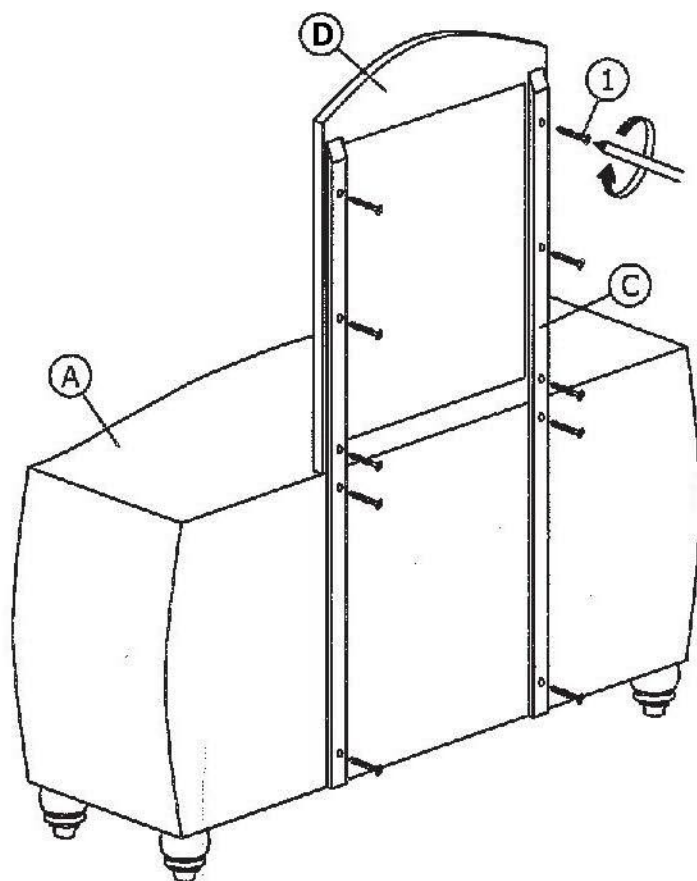


A	1 PC
D	1 PC
C	2 PCS

1	M4 x 32mm		10 PCS
---	-----------	---	--------

1



2

