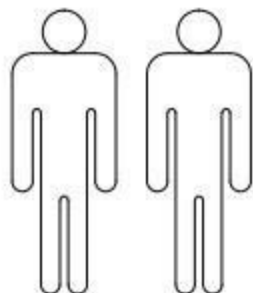


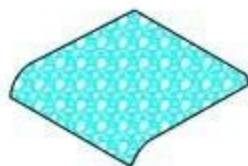
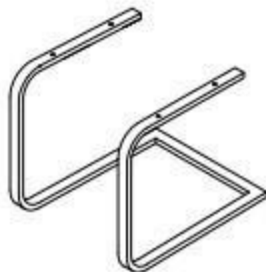
H334



1

2

3



1	1x
2	1x
3	1x

A



M6x30mm

4x

B



M6x12mm

4x

C



Ø18*Ø6.5mm

4x

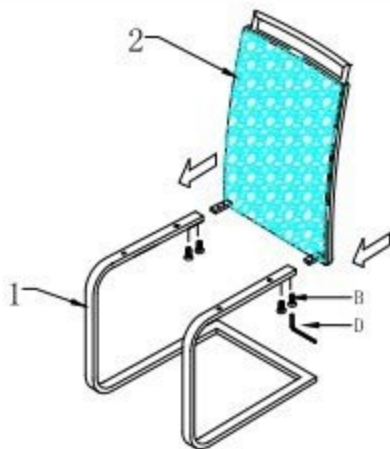
D



4mm

1x

1.



H334

2.



3.

