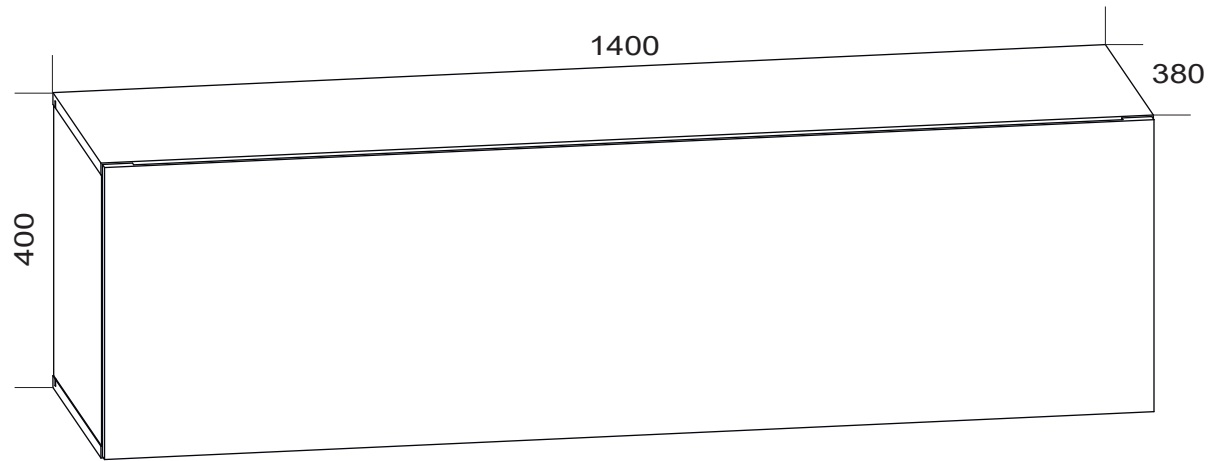
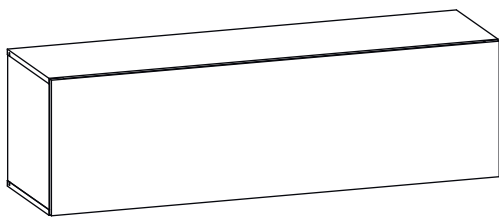


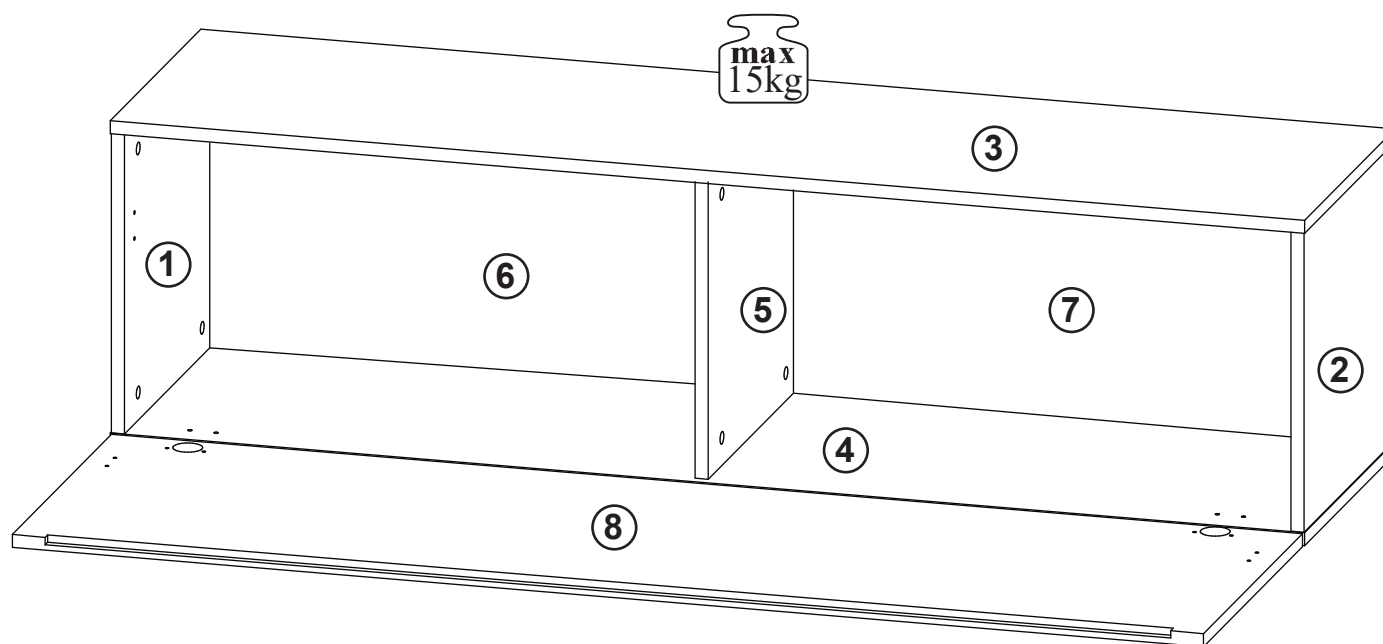
**30 min**



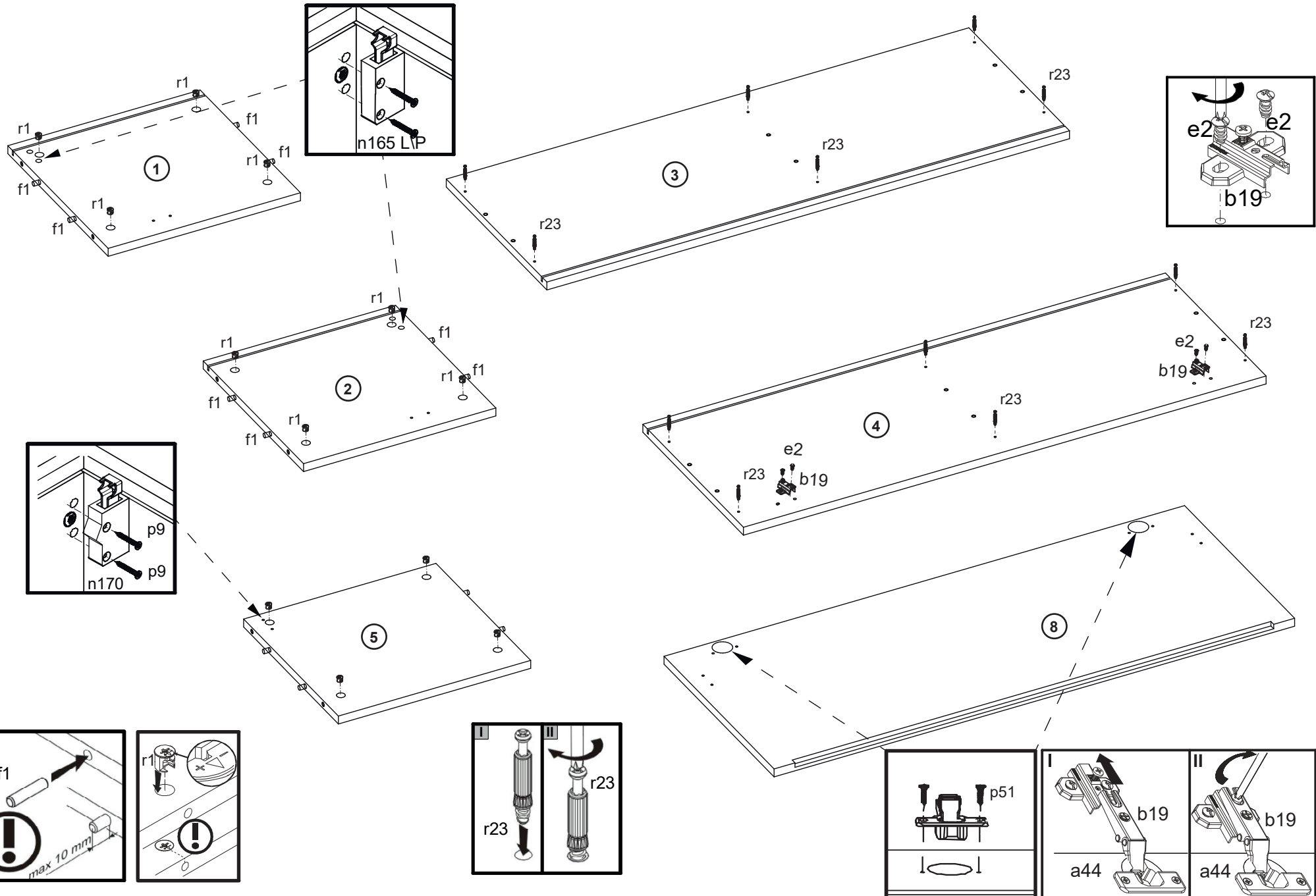
- |                  |                  |                        |                      |                        |                       |                |               |               |                          |                         |                          |              |
|------------------|------------------|------------------------|----------------------|------------------------|-----------------------|----------------|---------------|---------------|--------------------------|-------------------------|--------------------------|--------------|
| 1x<br><br>n165/P | 1x<br><br>n165/L | 3x<br><br>b3           | 16x<br><br>l2        | 2x<br><br>L-236 m3     | 2x<br><br>φ4x30 mm p9 | 1x<br><br>n170 | 2x<br><br>a44 | 1x<br><br>b19 | 4x<br><br>φ3.5x16 mm p51 | 19x<br><br>φ3x16 mm p55 | 4x<br><br>φ 6.3x13 mm e2 | 3x<br><br>J1 |
| 12x<br><br>ds    | 12x<br><br>s2    | 12x<br><br>φ15x12mm r1 | 12x<br><br>30/11 r23 | 12x<br><br>φ8x30 mm f1 |                       |                |               |               |                          |                         |                          |              |



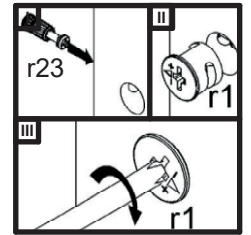
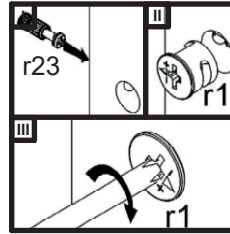
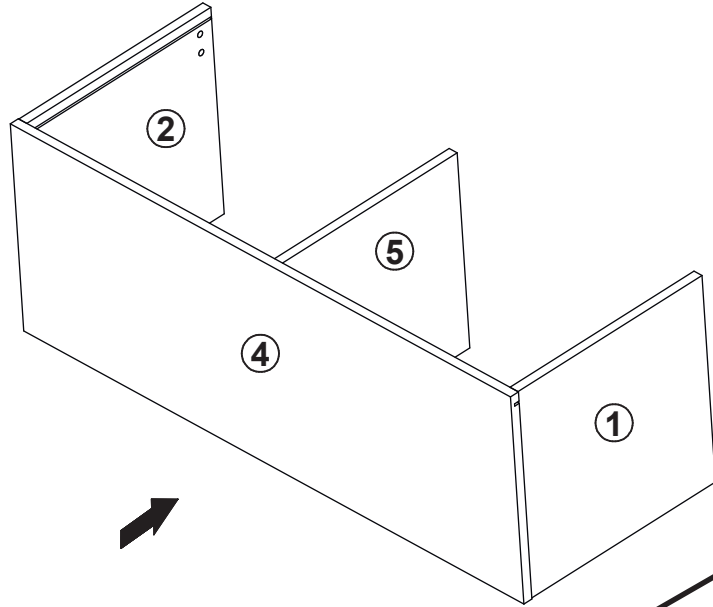
A	B	C	(mm)	Colli
1	001	368	361	1/1
2	002	368	361	1/1
3	003	1400	362	1/1
4	004	1400	362	1/1
5	005	368	341	1/1
6	006	382	690	1/1
7	007	382	690	1/1
8	008	1396	396	1/1



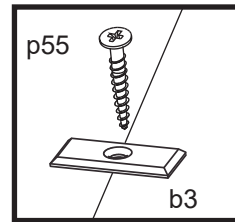
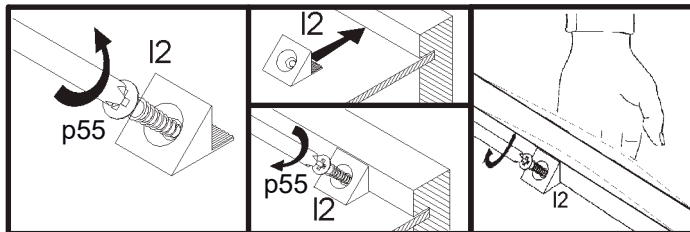
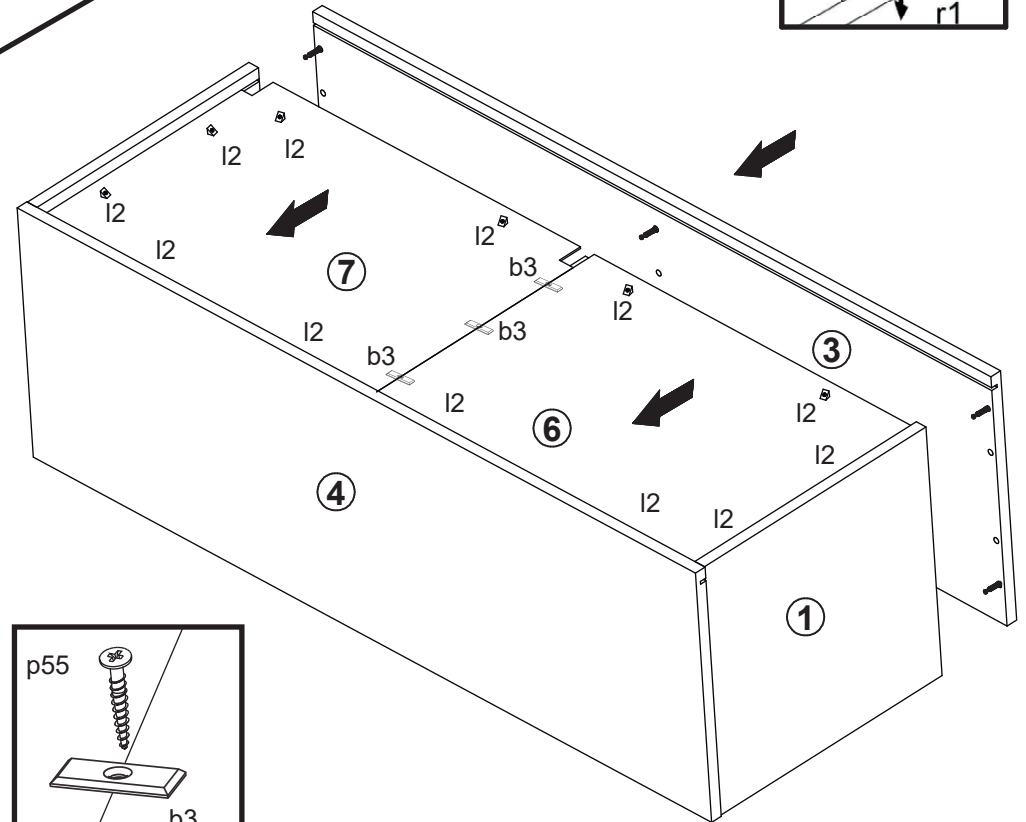
# 1



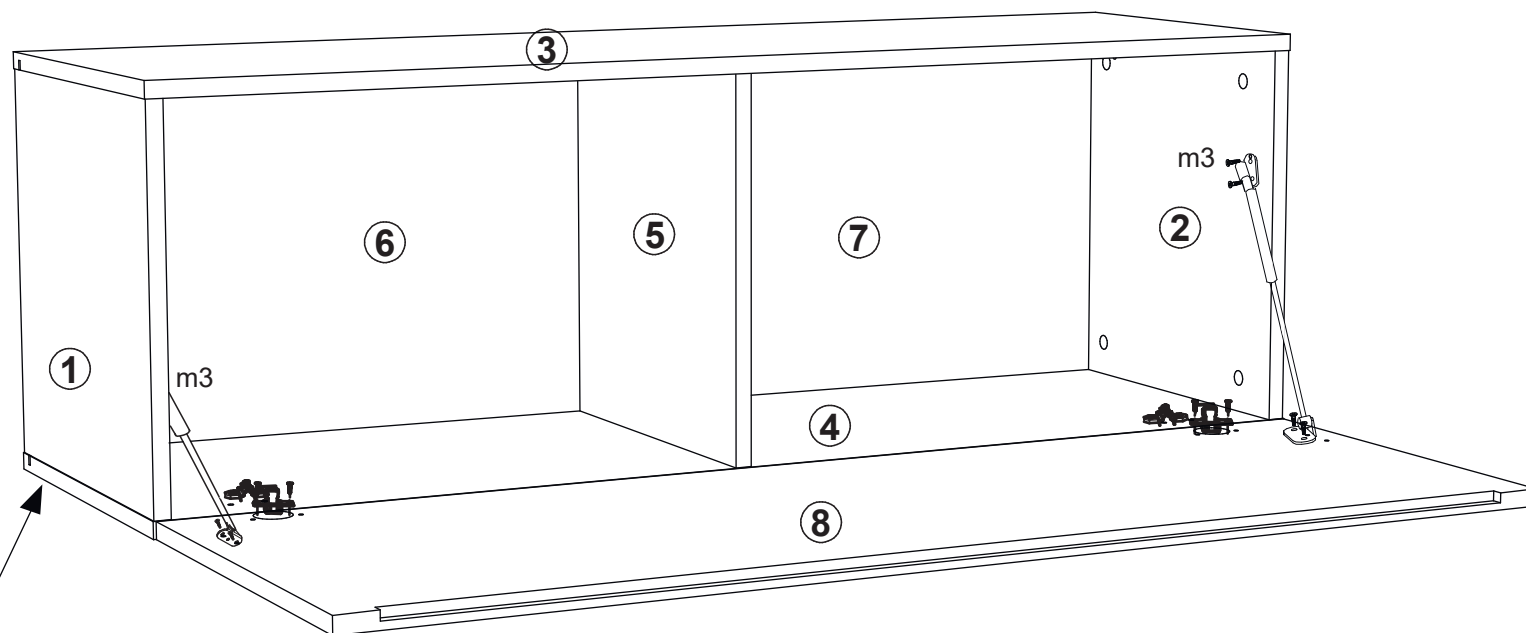
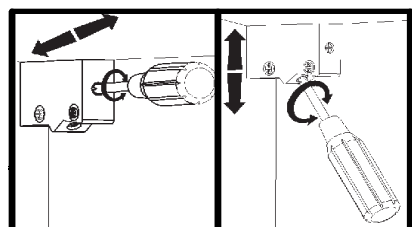
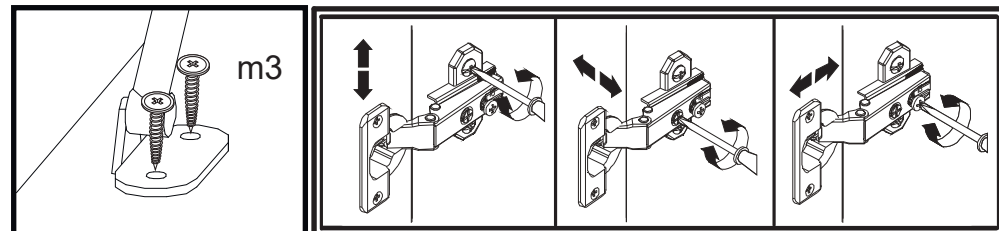
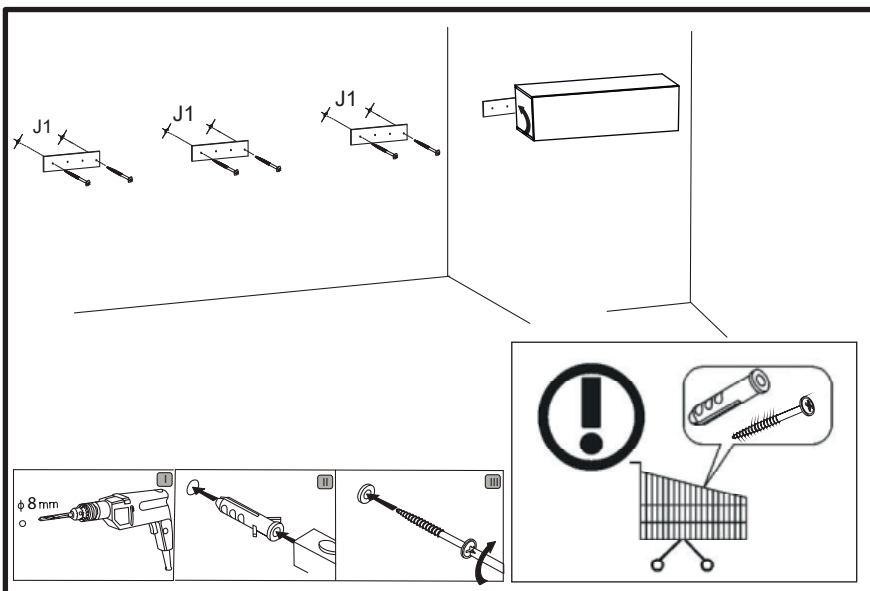
2



3



4



LED (opcja) O1\*