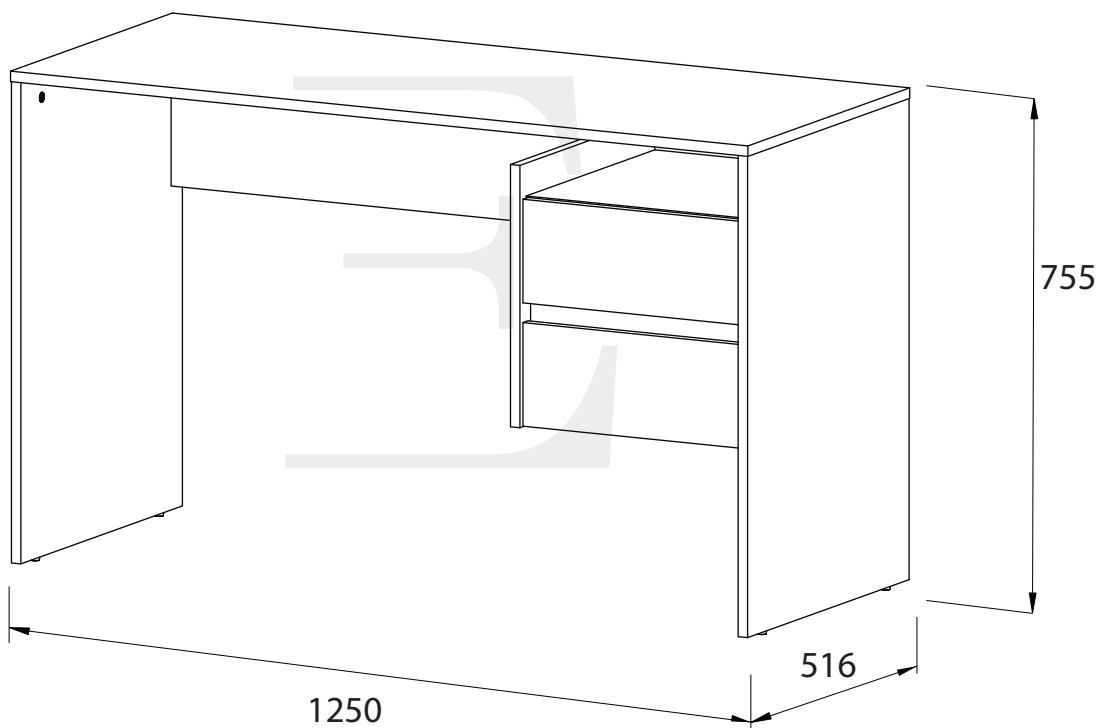
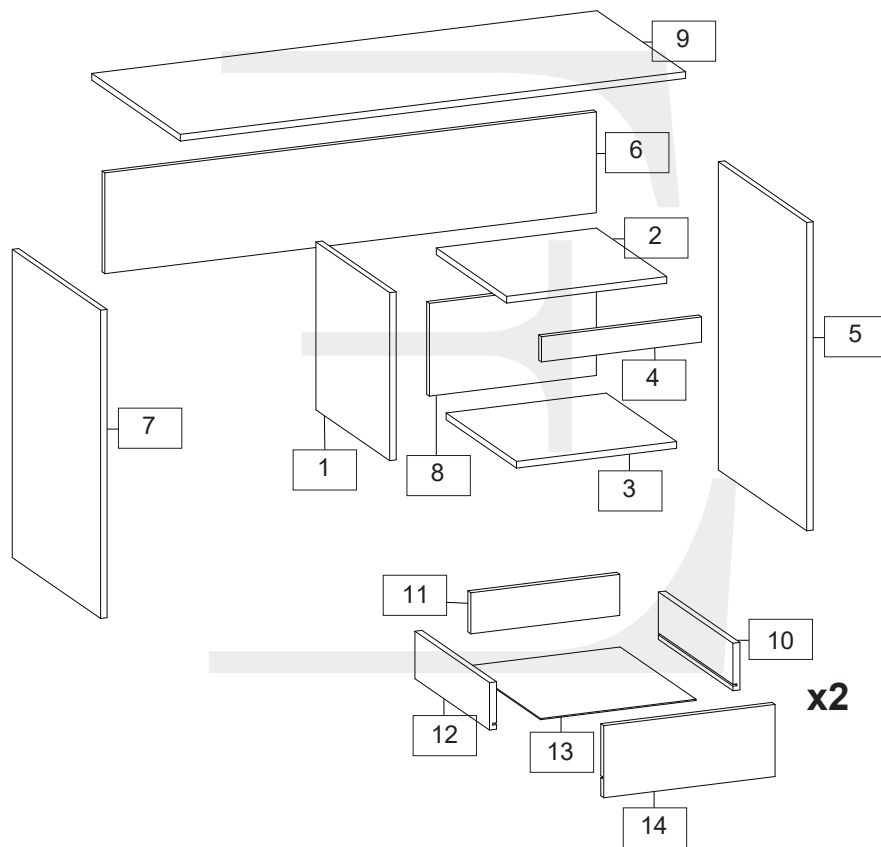


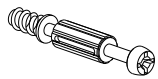
PACA 3

- | | | | |
|----|-----------------------------|----|--------------------------|
| GB | Assembly instructions | D | Installationsanleitung |
| F | Instructions d'installation | IT | Istruzioni di montaggio |
| NL | Montagehandleiding | SE | Monteringsanvisningar |
| SK | Montážny návod | ES | Instrucciones de montaje |





1	400x430
2	396x410
3	396x410
4	396x60
5	734x515
6	1216x240
7	734x515
8	413x221
9	1250x516
10	400x104
11	339x90
12	400x104
13	354x407
14	390x410



31x r16

Ø15



31x r1



26x s2

Ø8x30



20x f1

Ø4x16

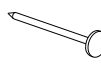


8x g1



2x s3

Ø1,2x20

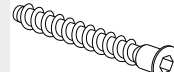


2x e2



2x N1

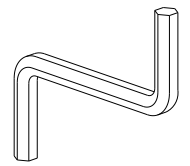
Ø6,4x50



16x e1



12x s1



1x Z1

Ø3x16

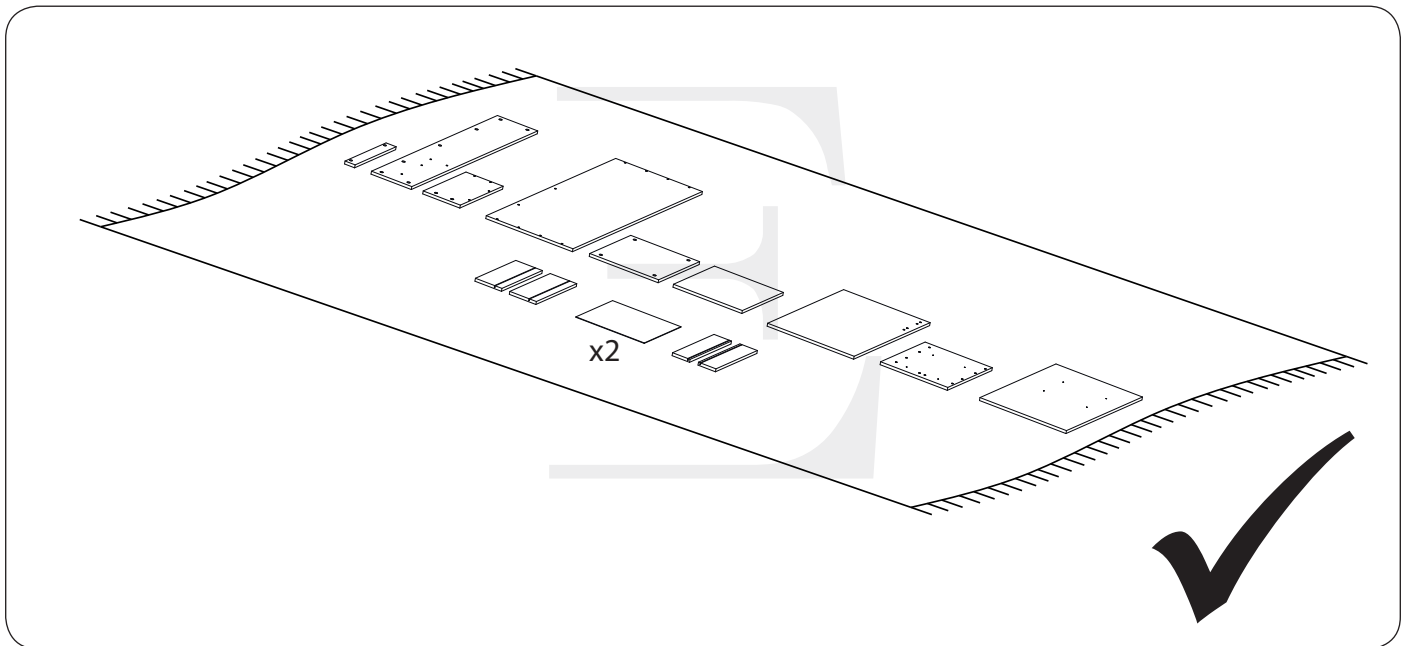
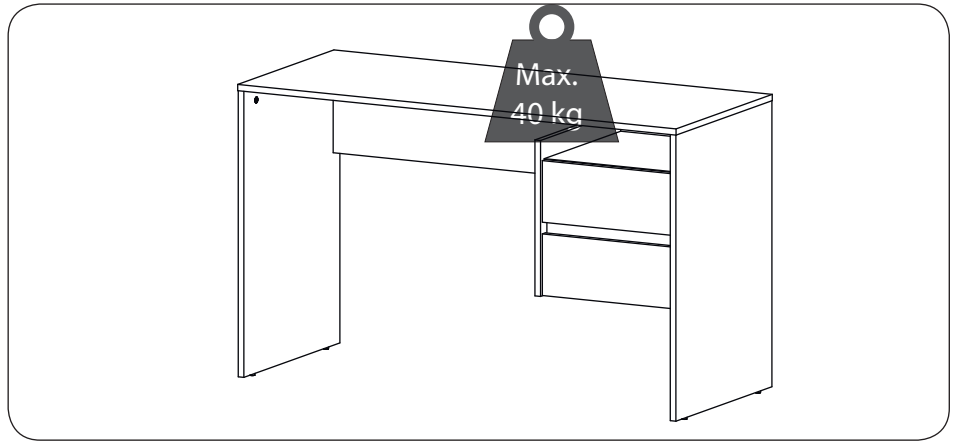
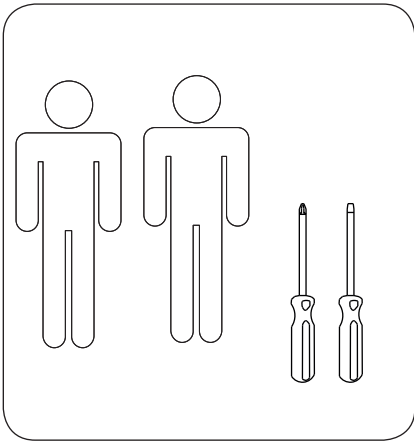


8x g2

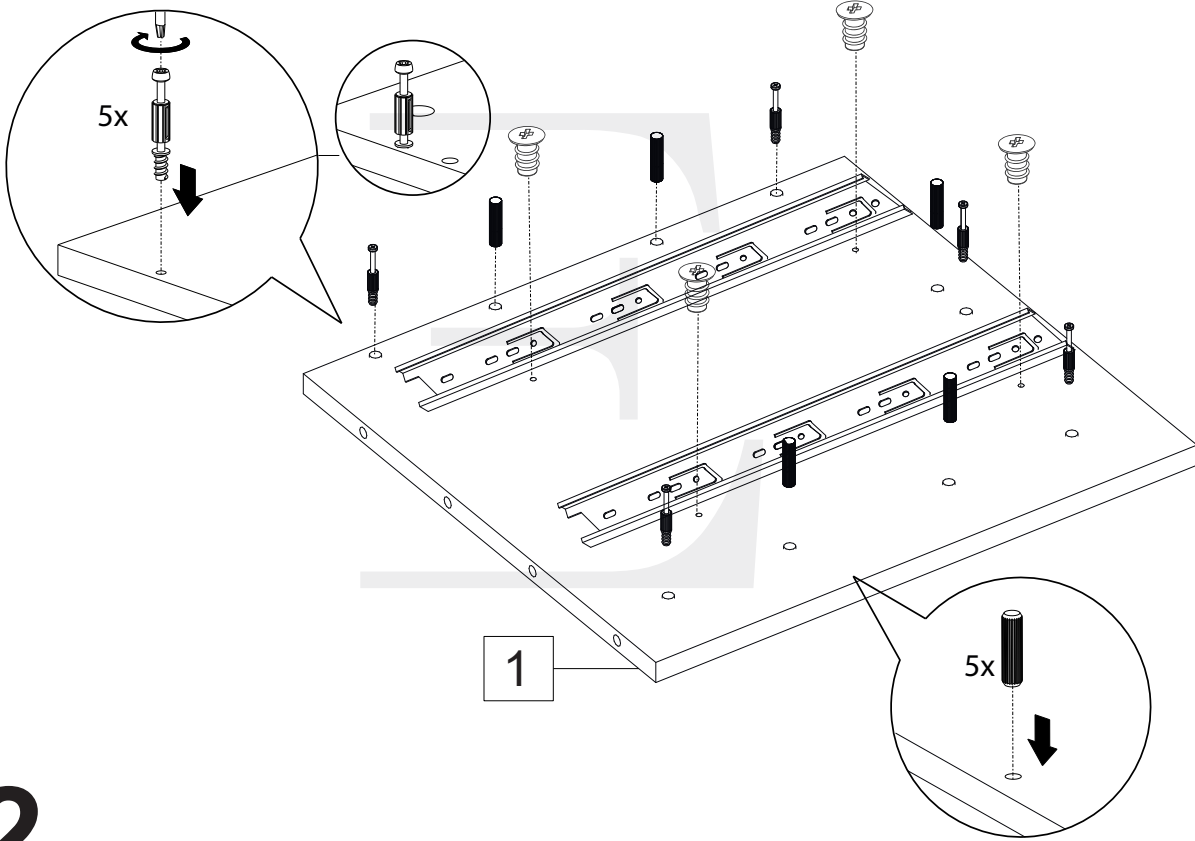
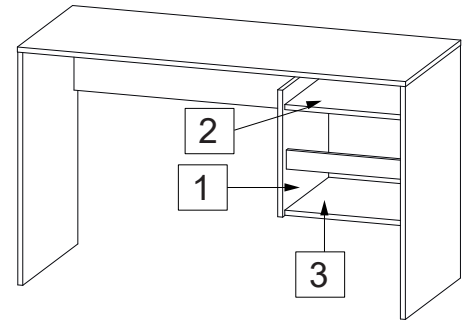
Ø3x16



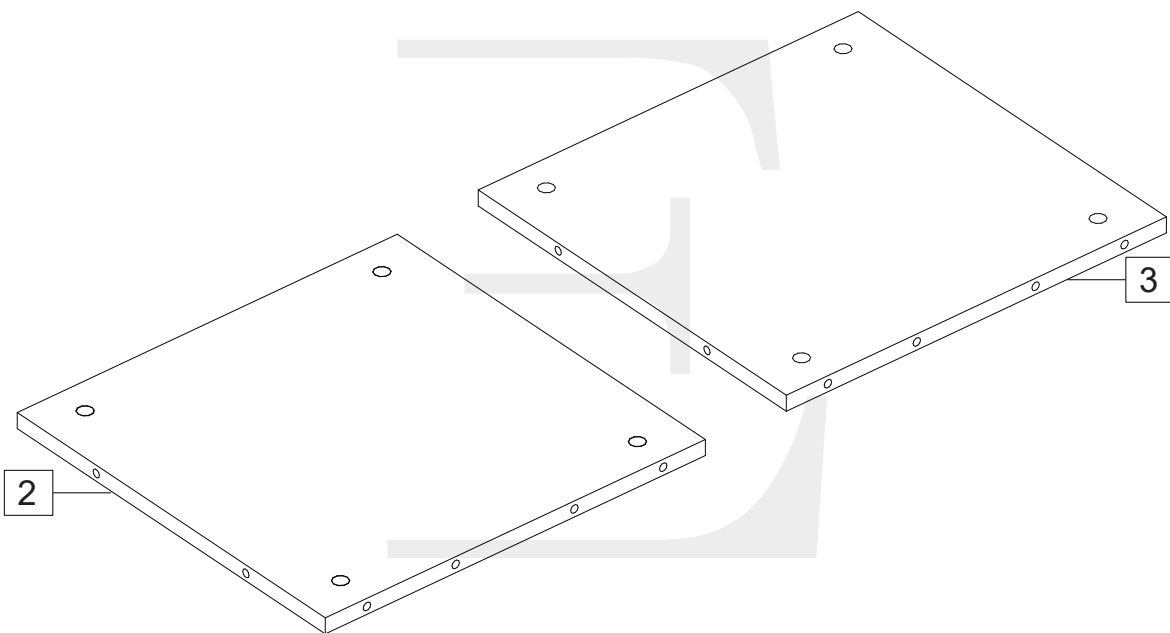
8x g3



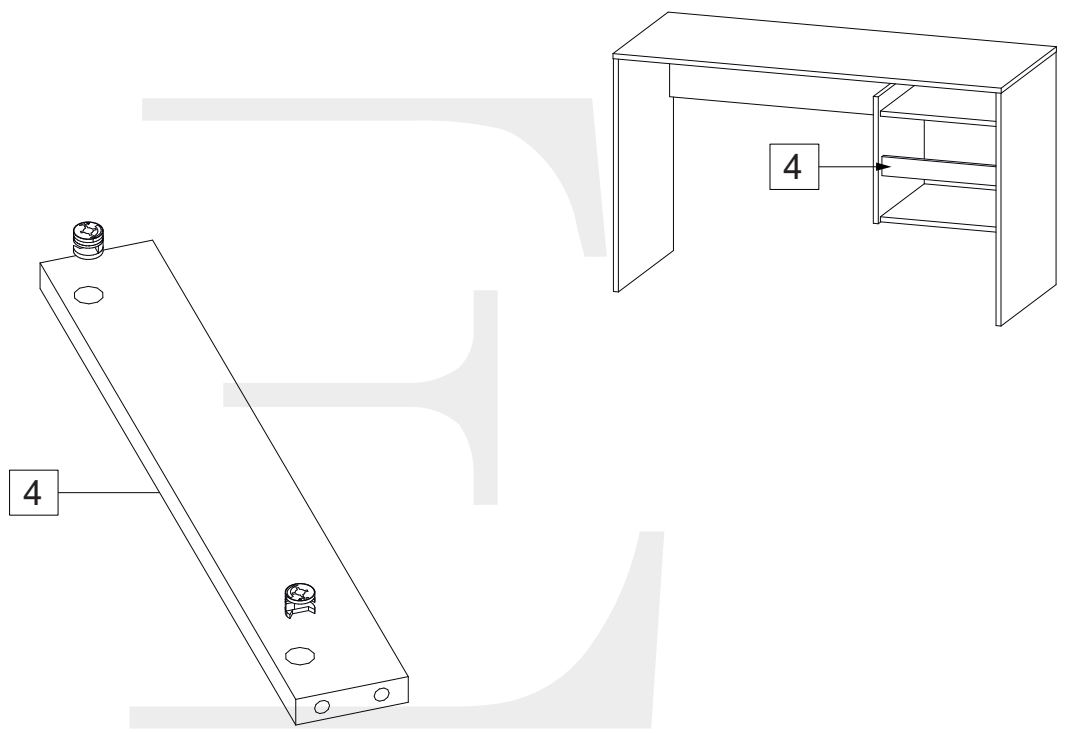
1



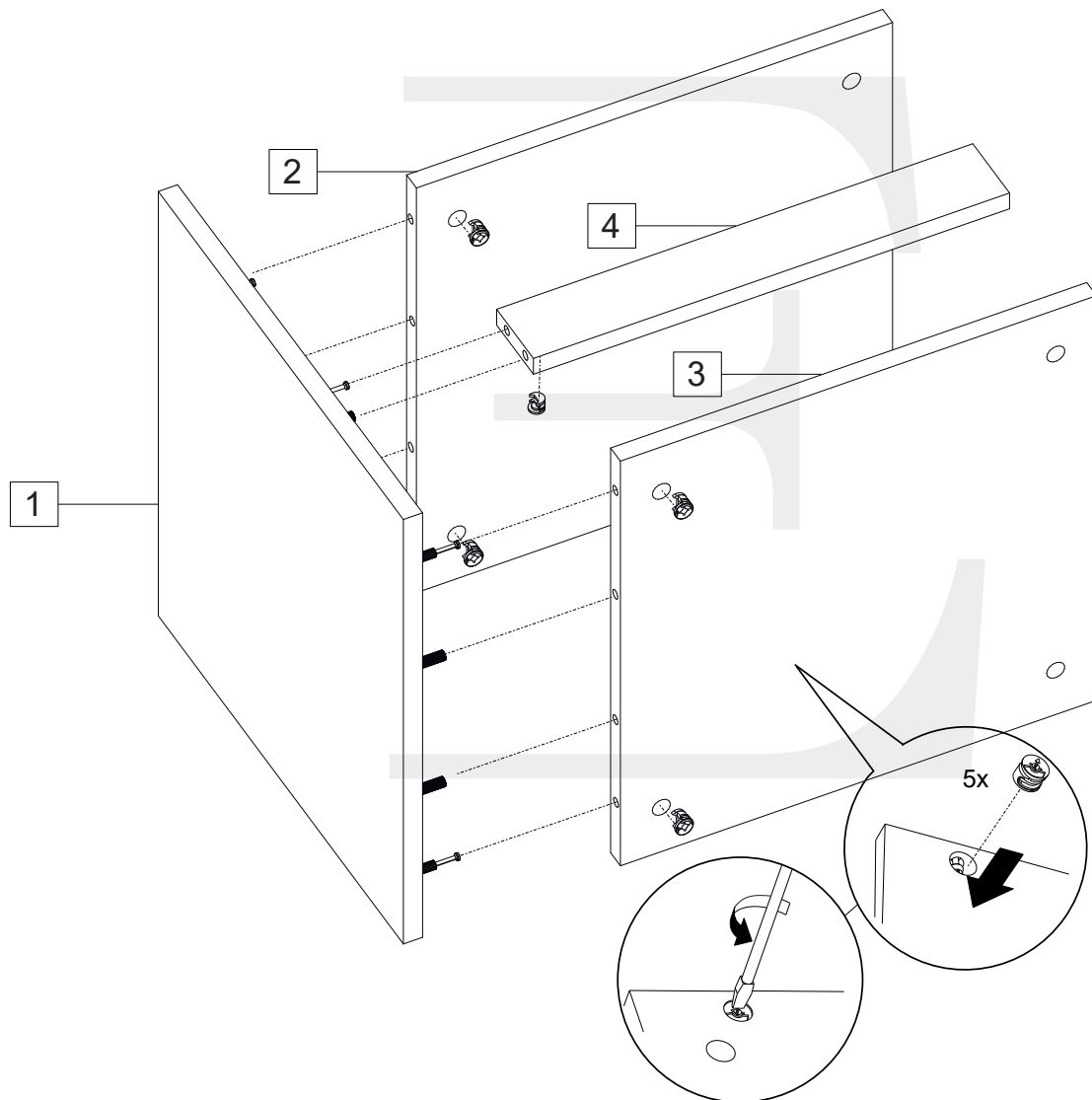
2



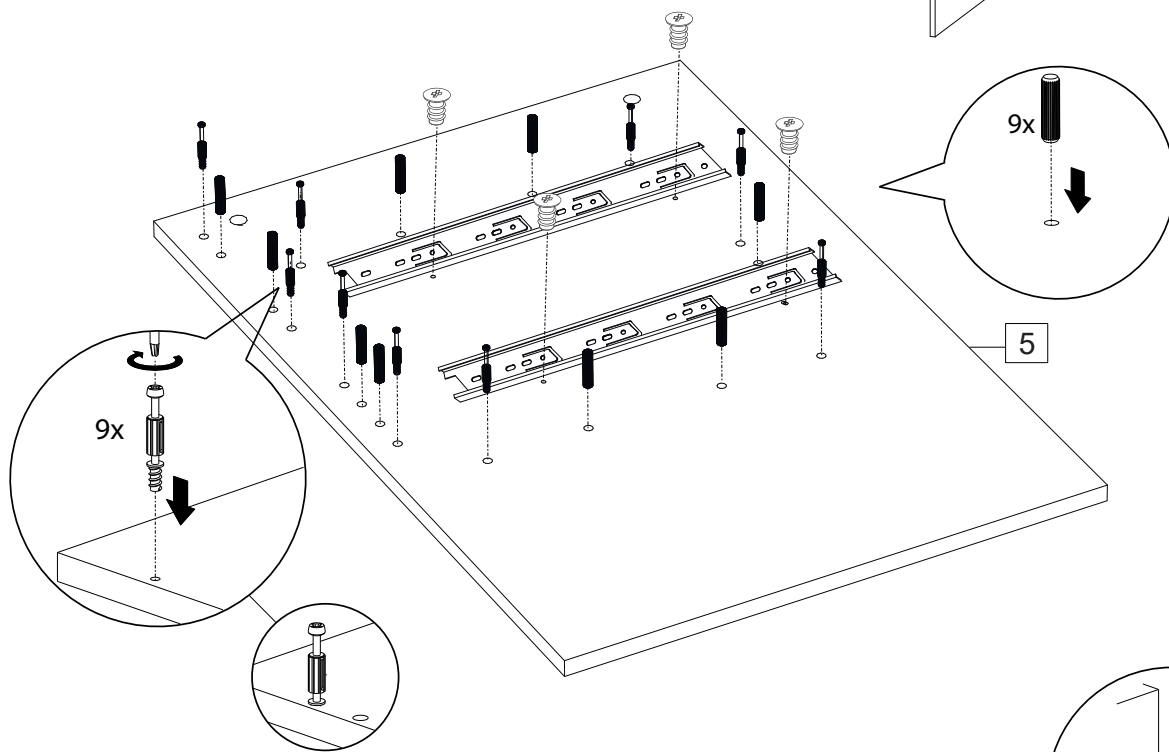
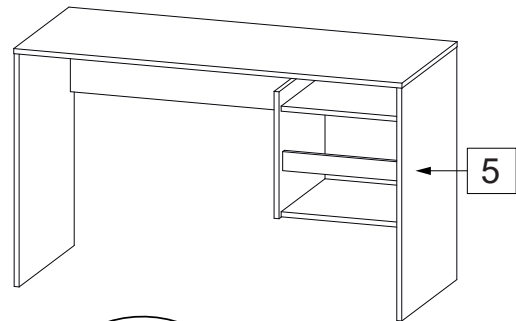
3



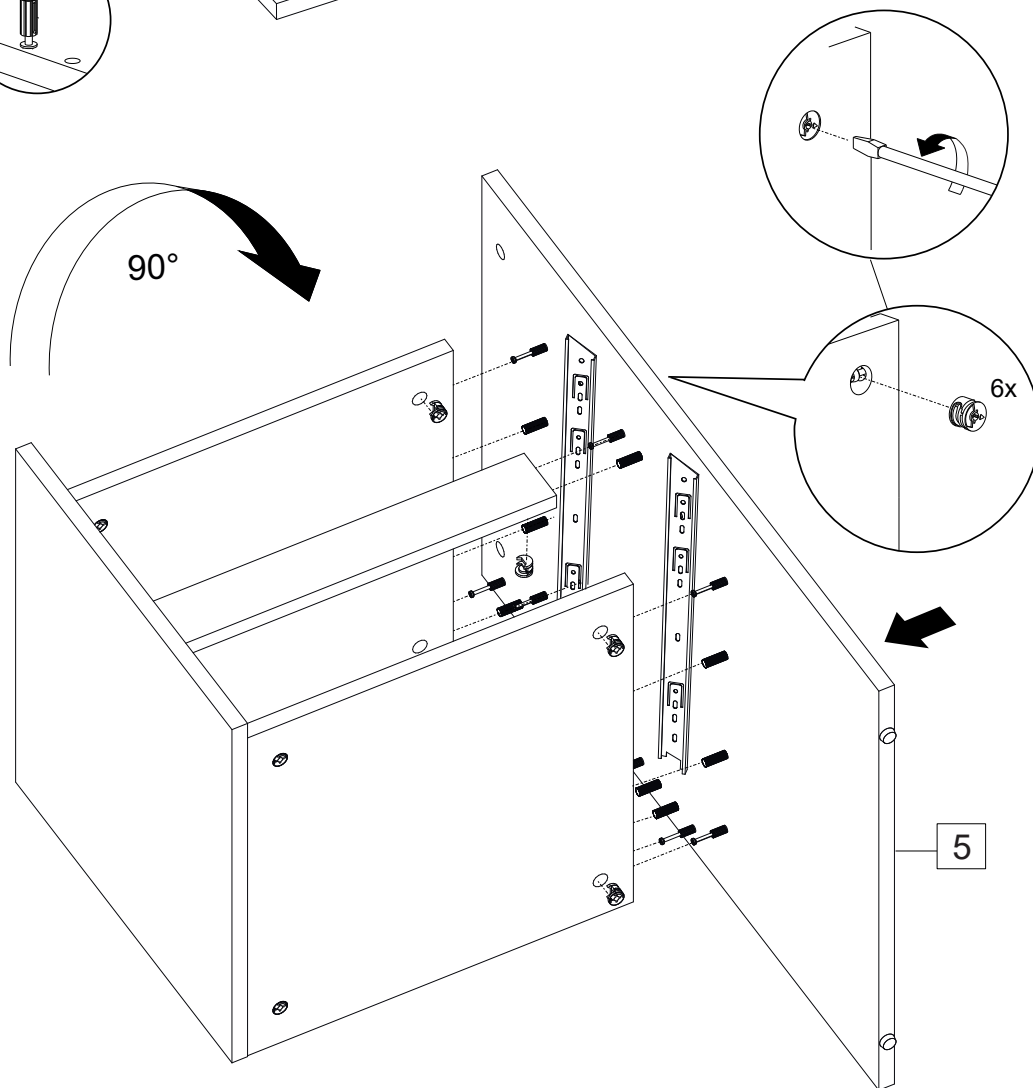
4



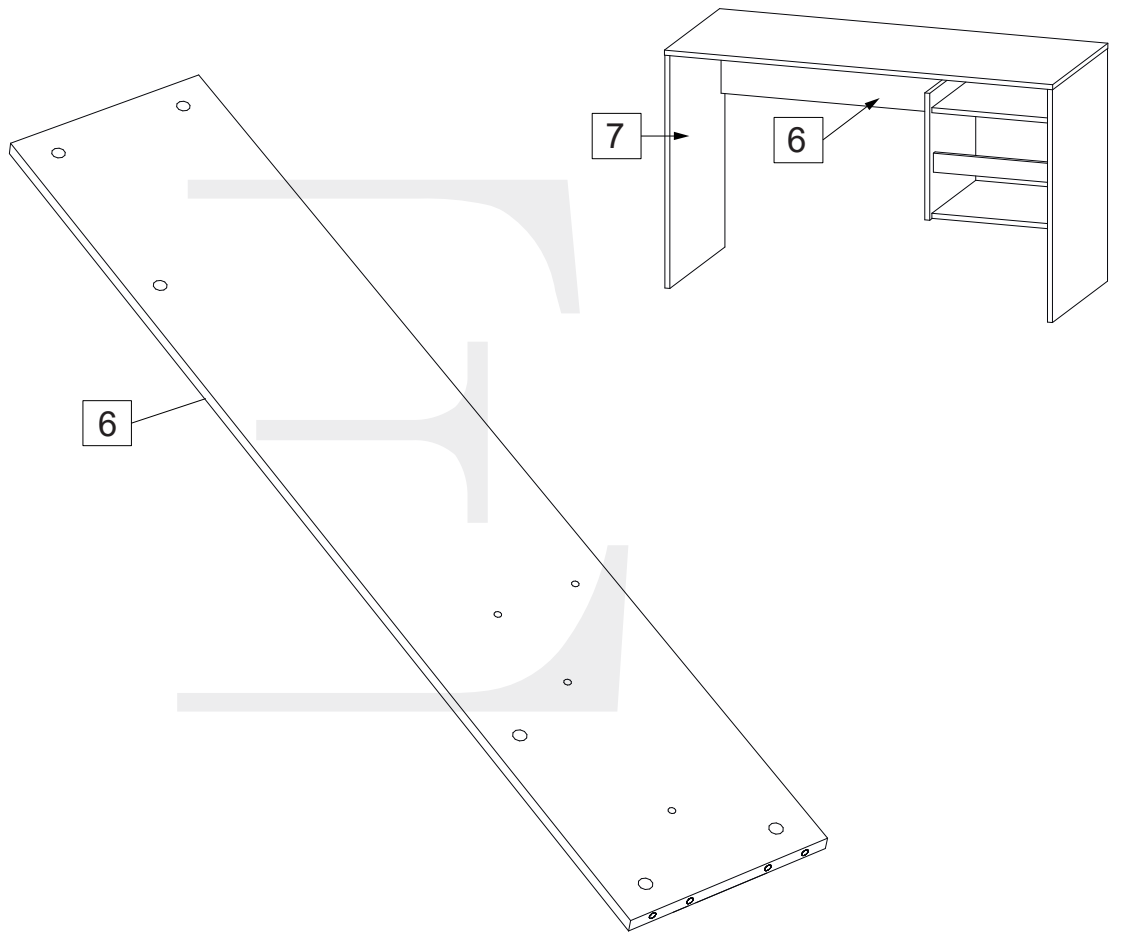
5



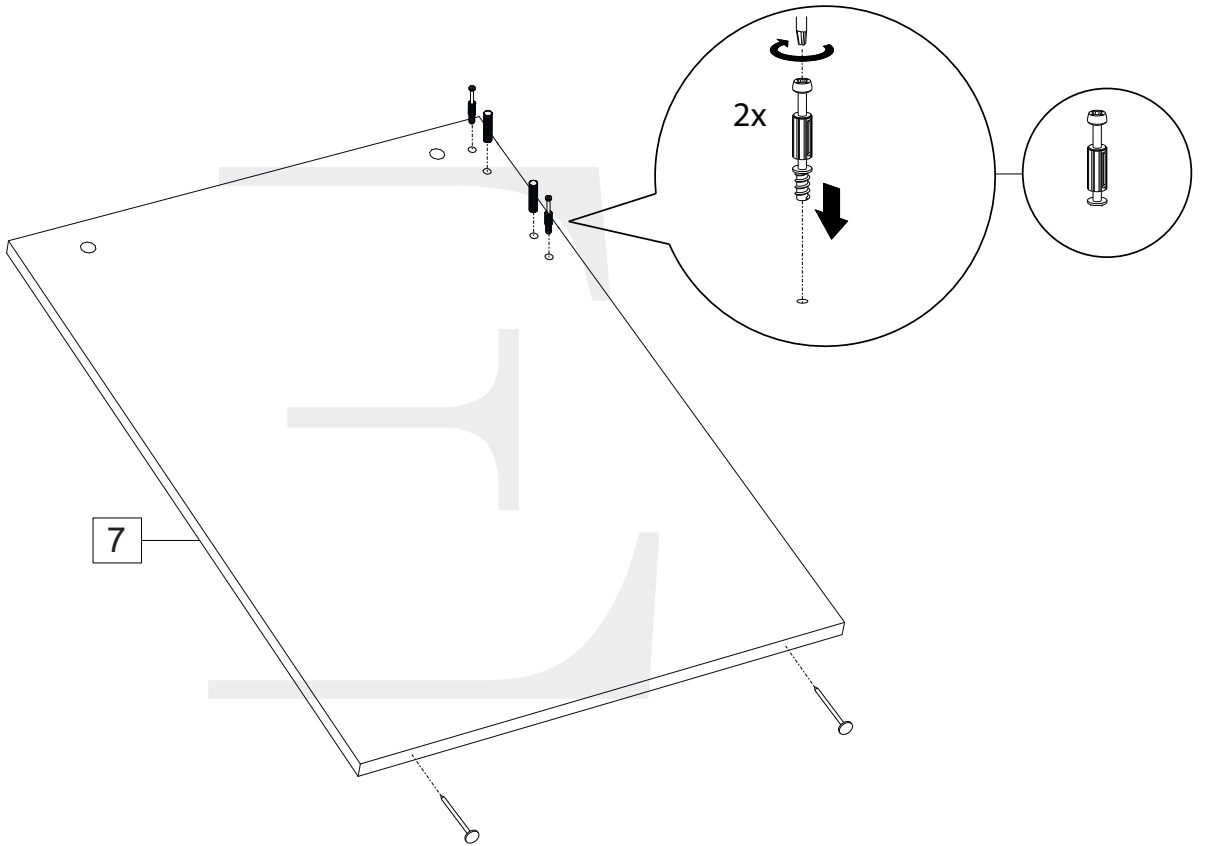
6



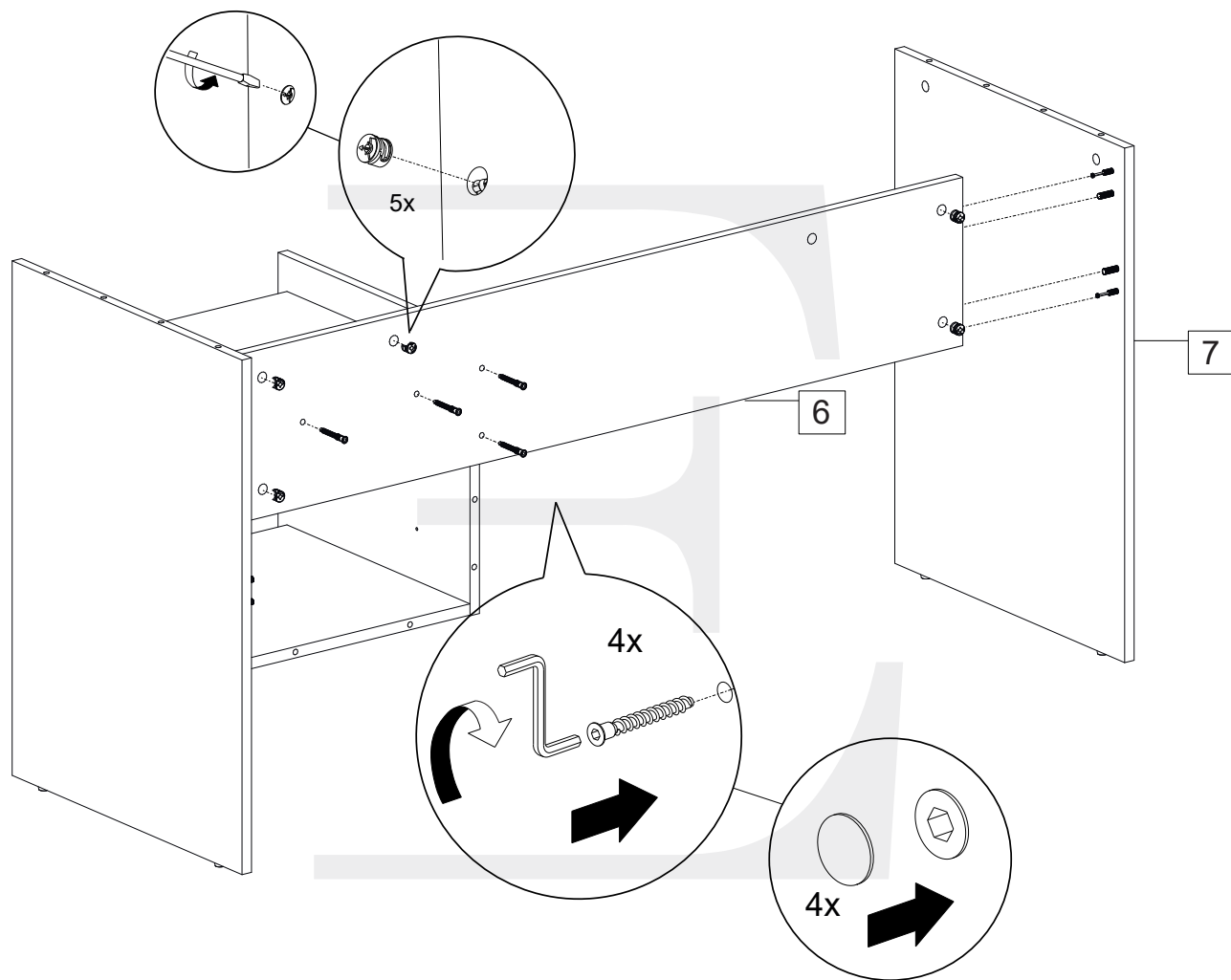
7



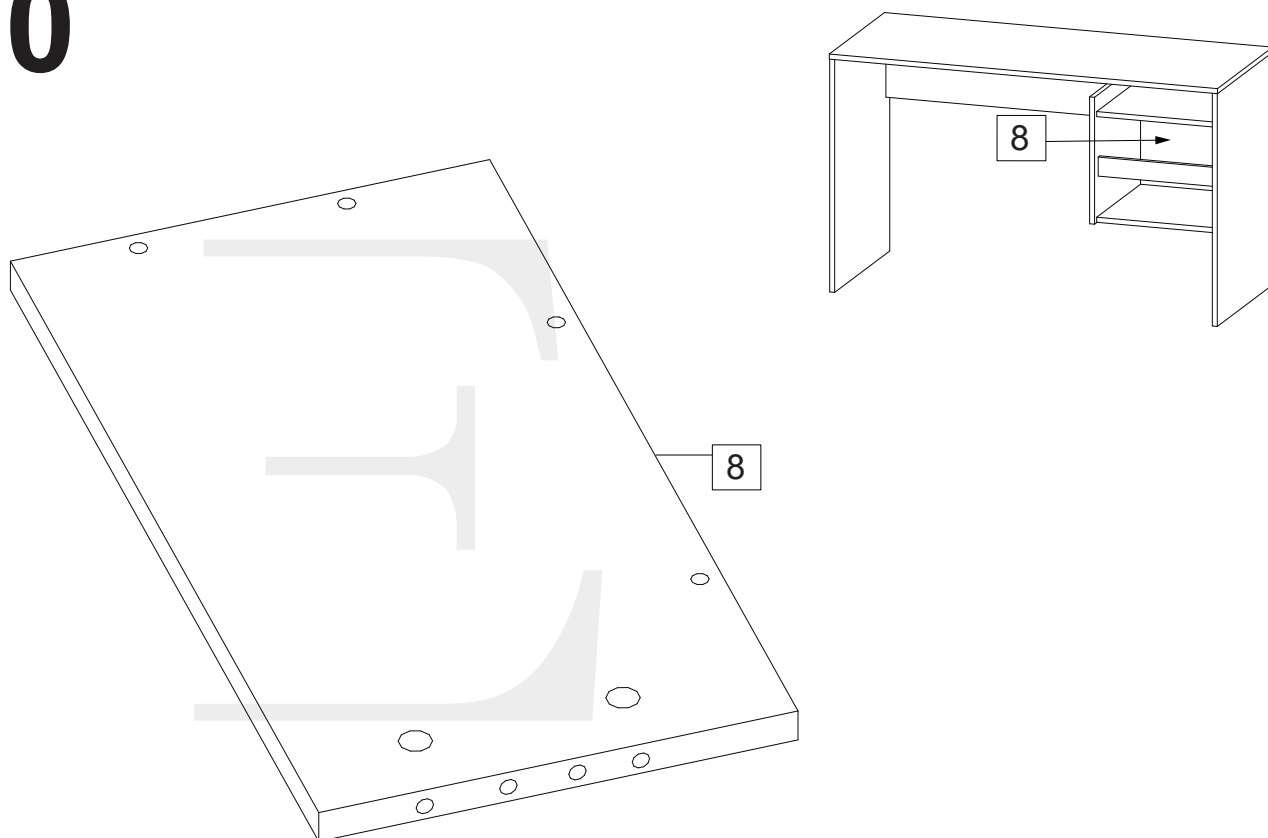
8



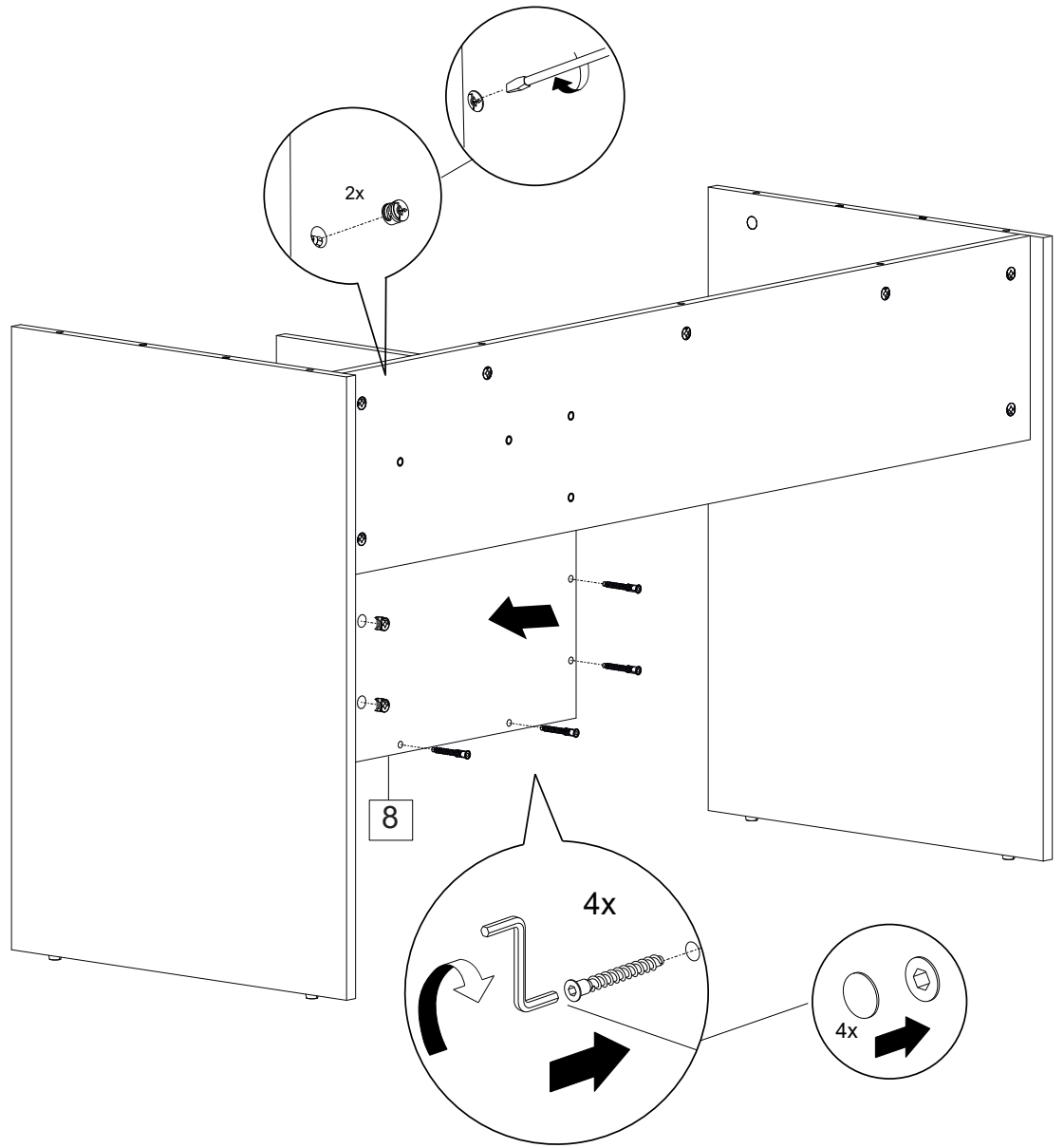
9



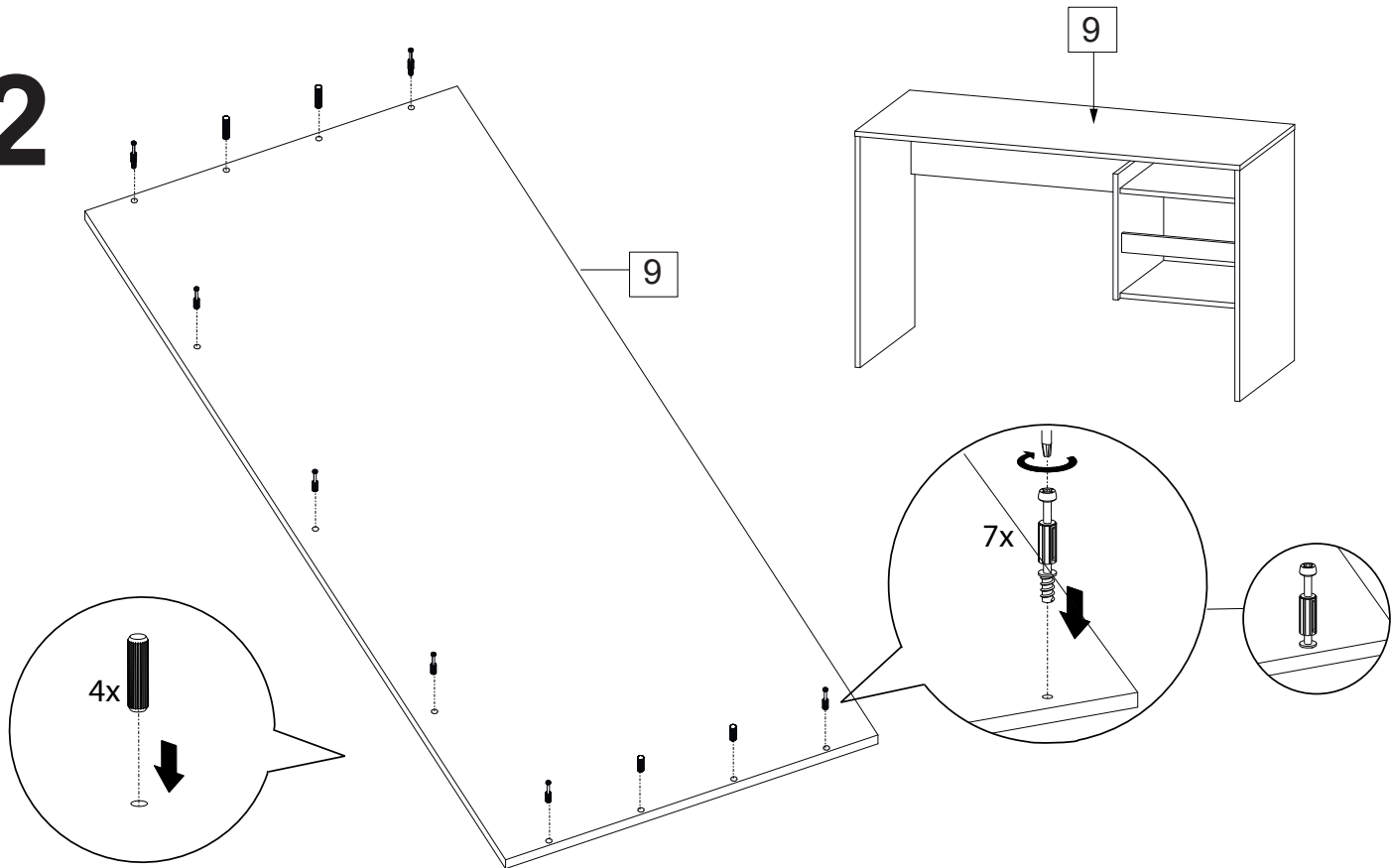
10



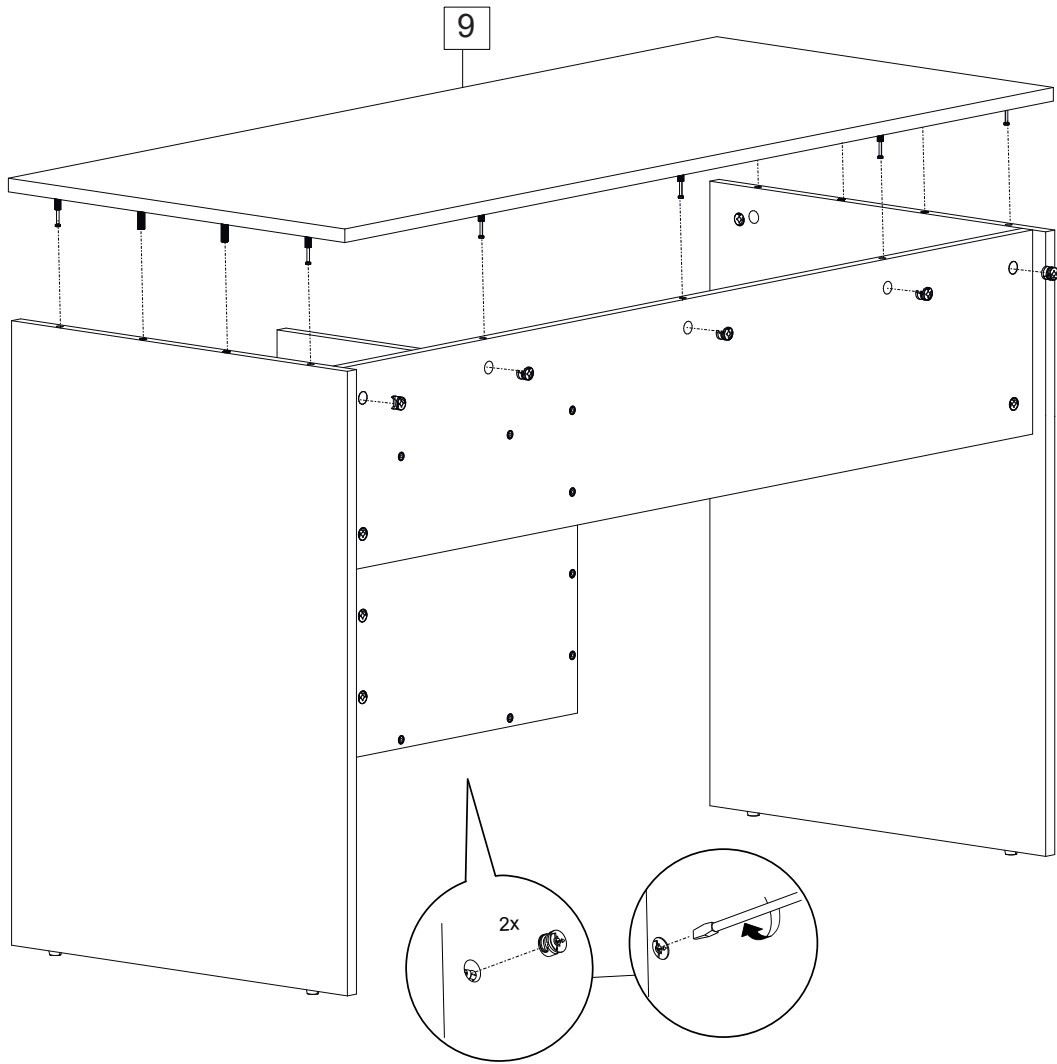
11



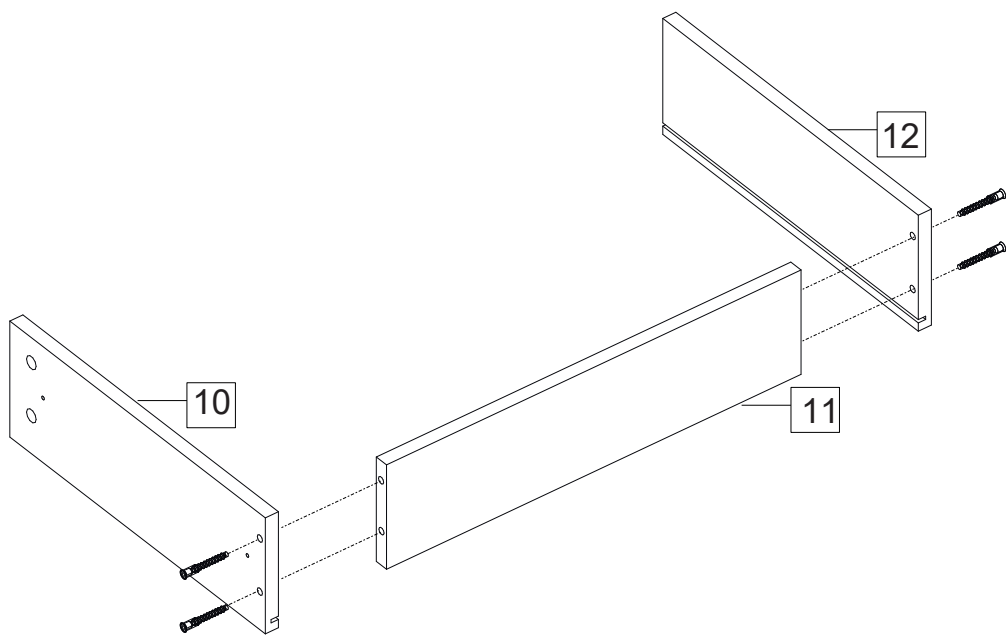
12



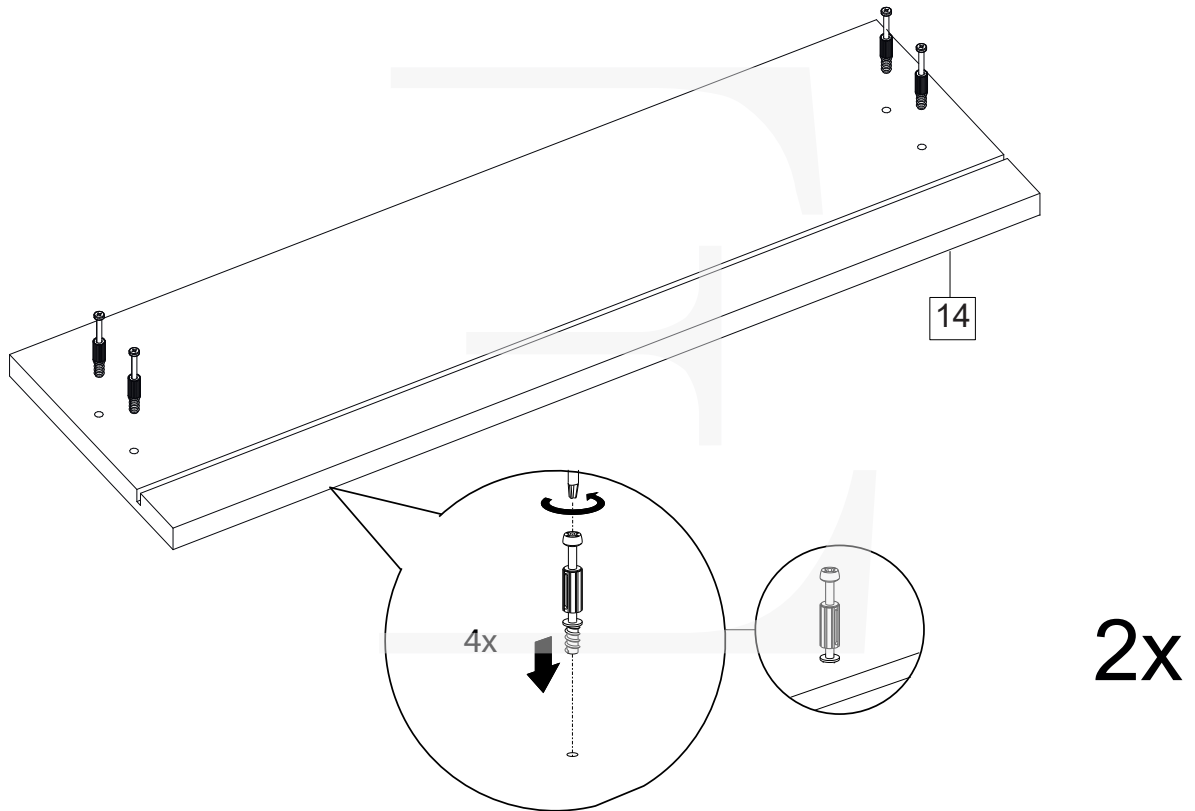
13



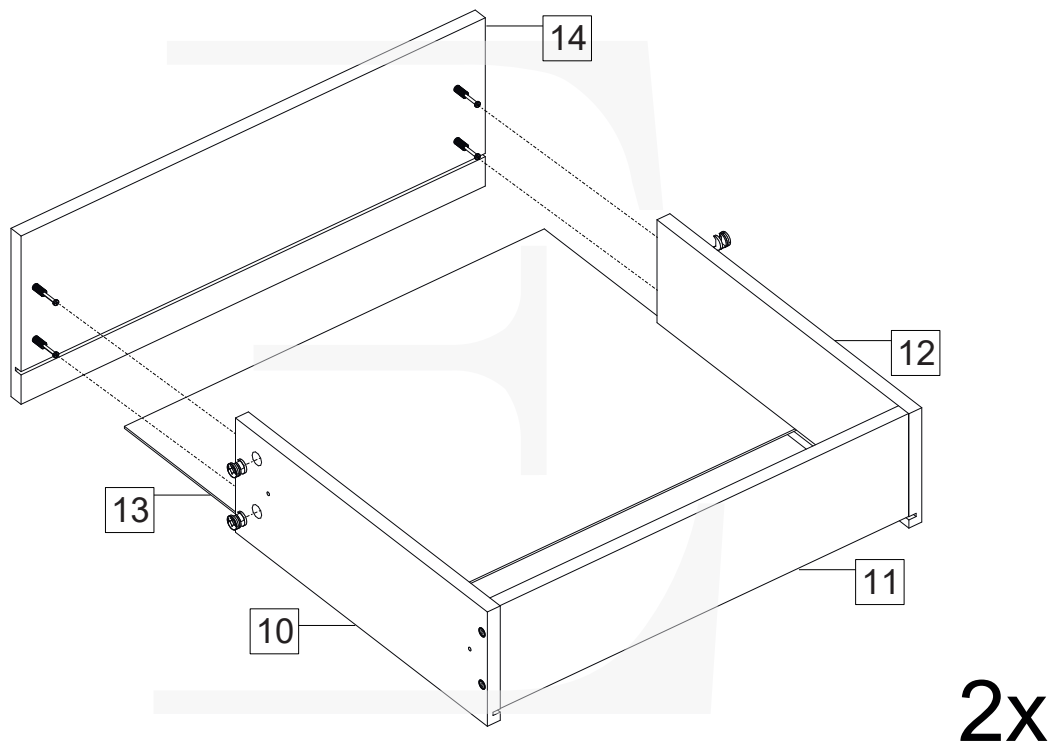
14



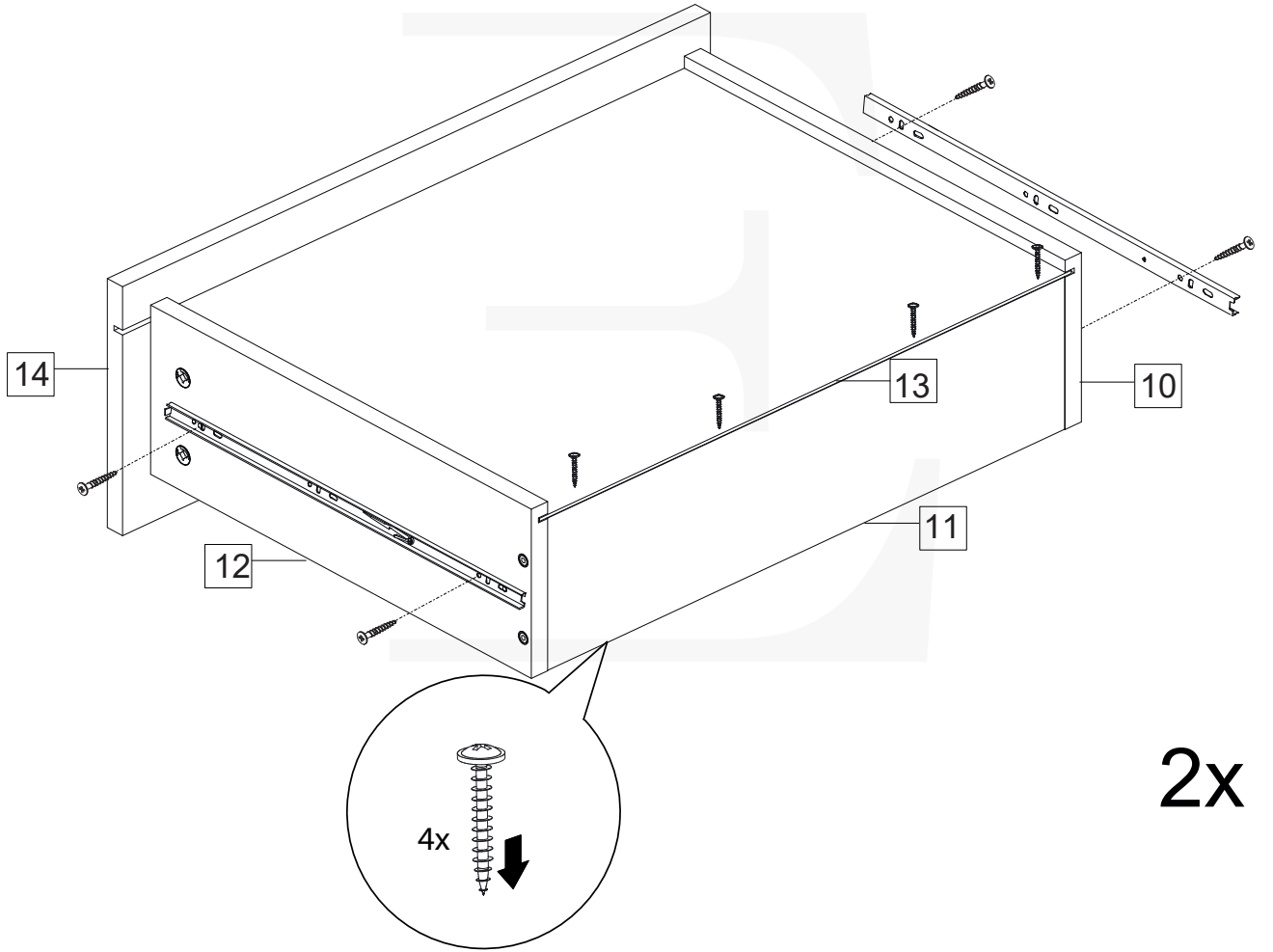
15



16



17



18

