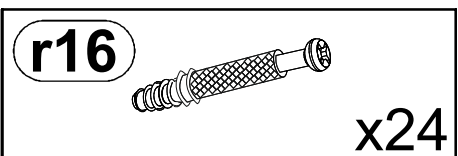
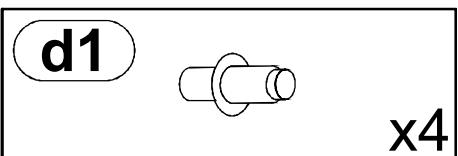
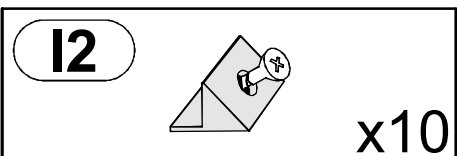
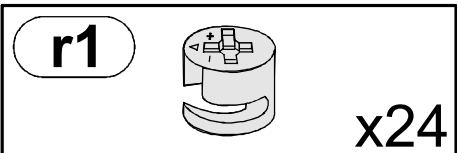
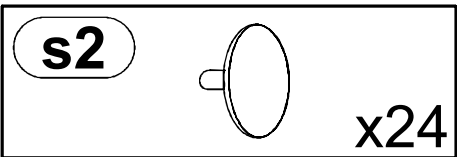
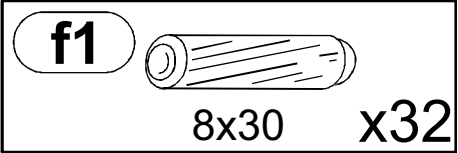
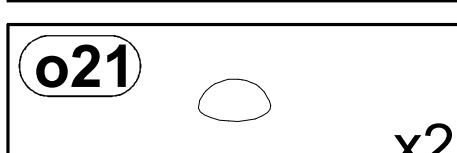
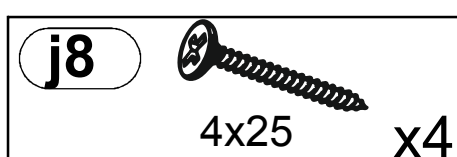
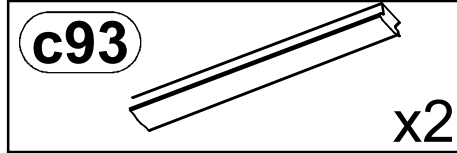
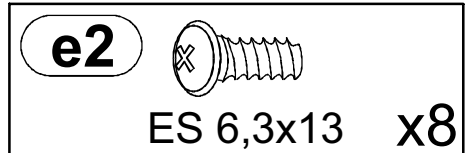
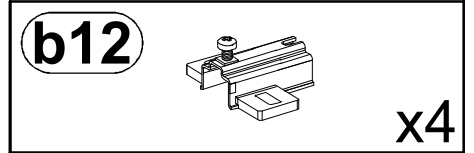
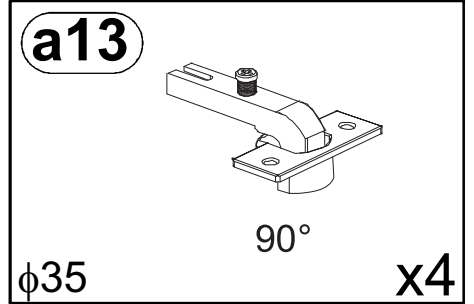
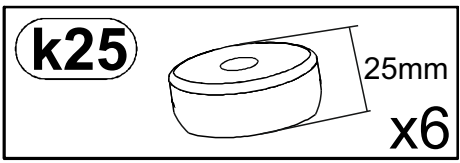
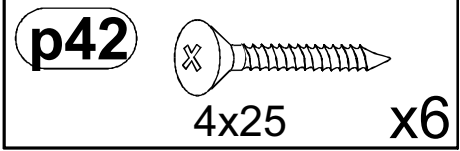
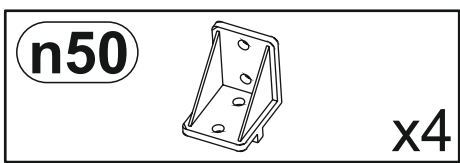
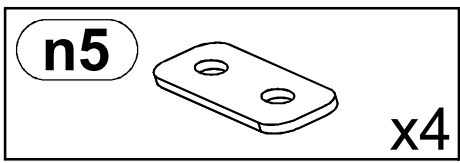
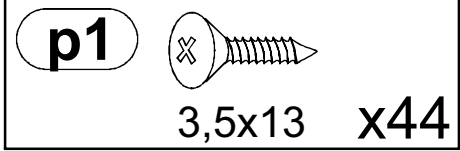


B12**B13****B14**

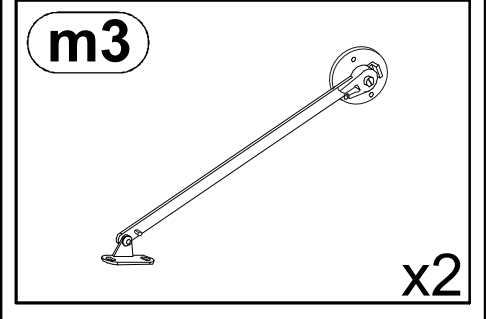
B15



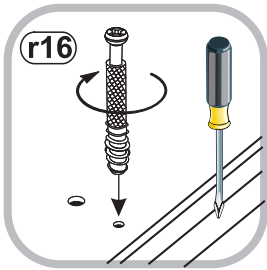
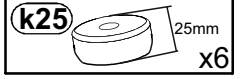
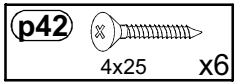
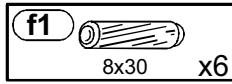
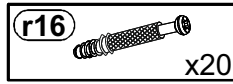
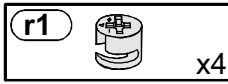
B16



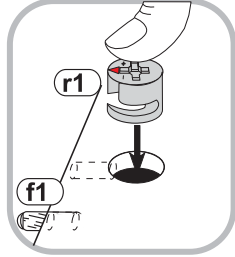
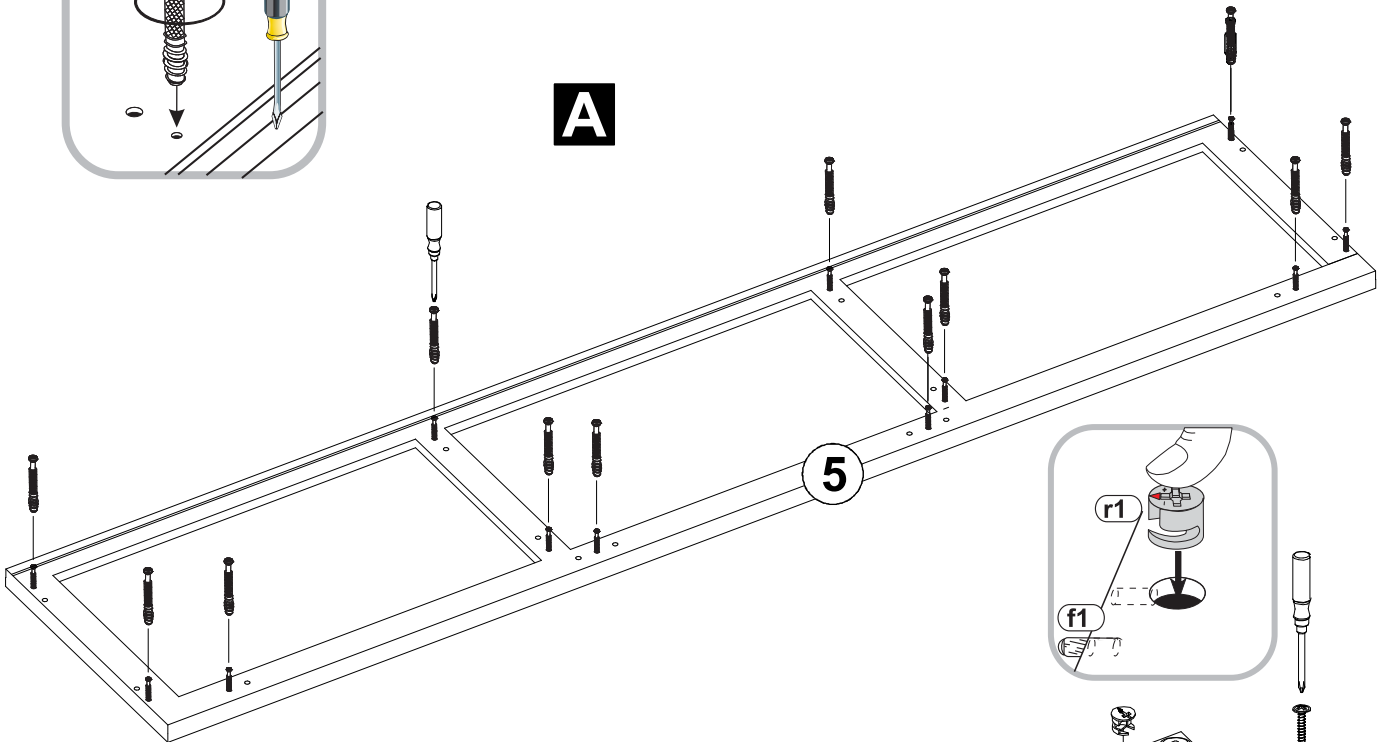
B17



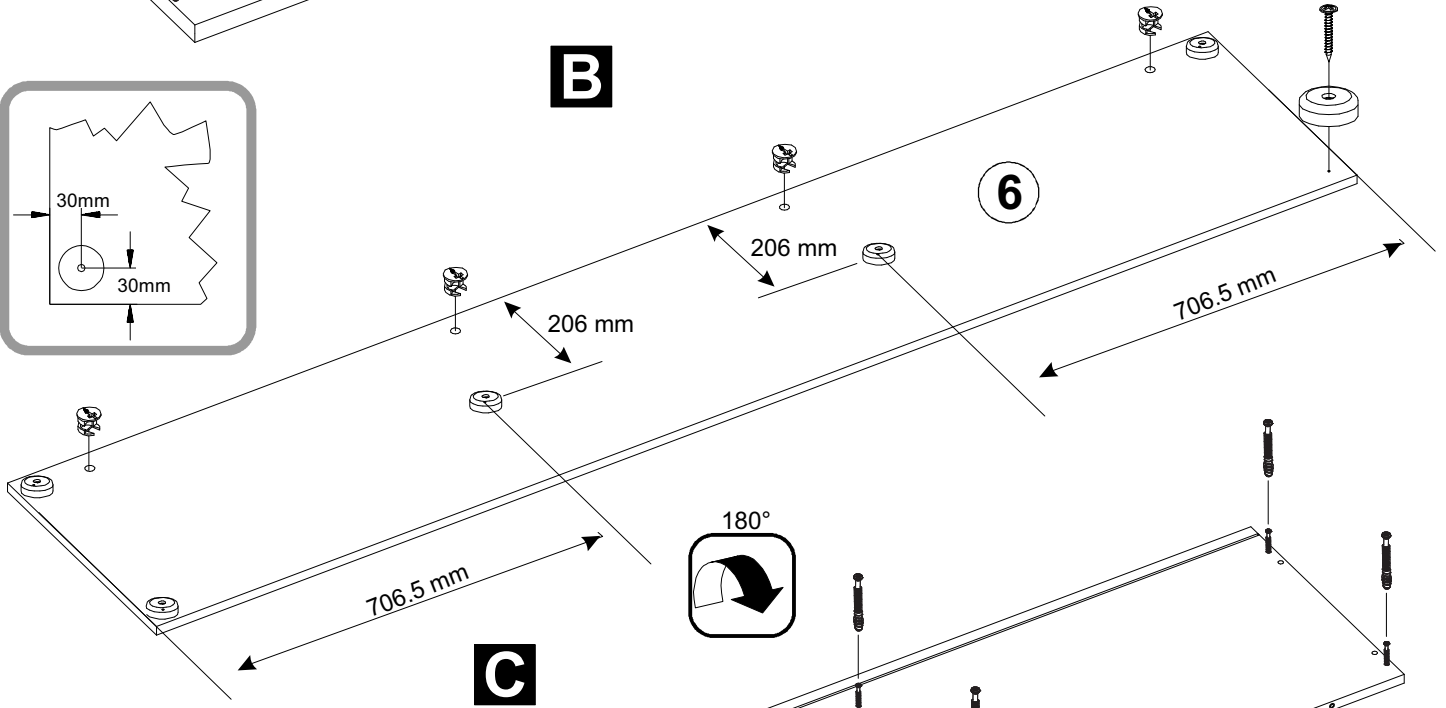
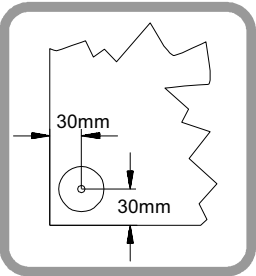
1



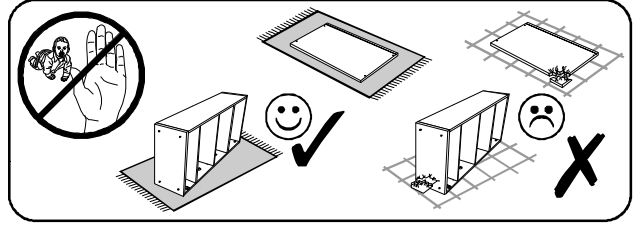
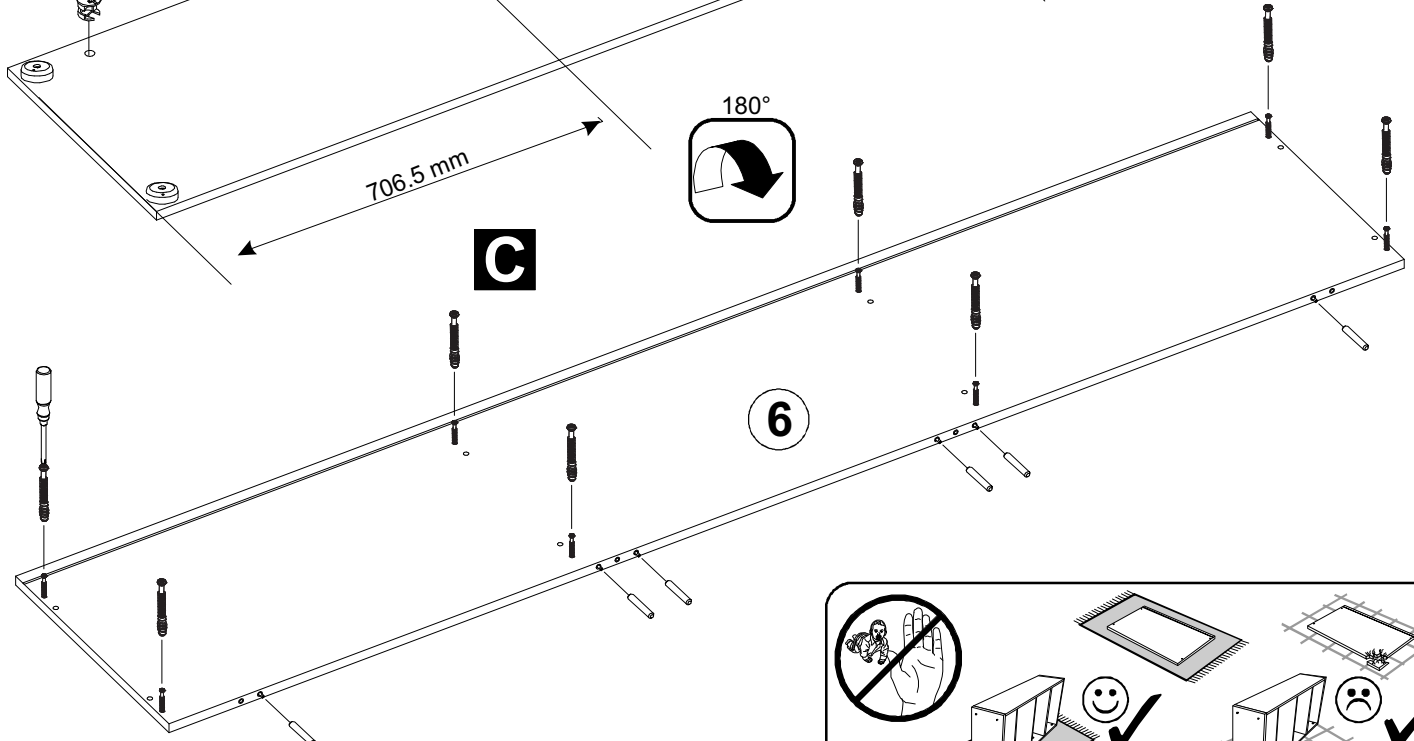
A



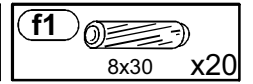
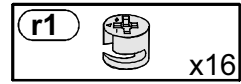
B



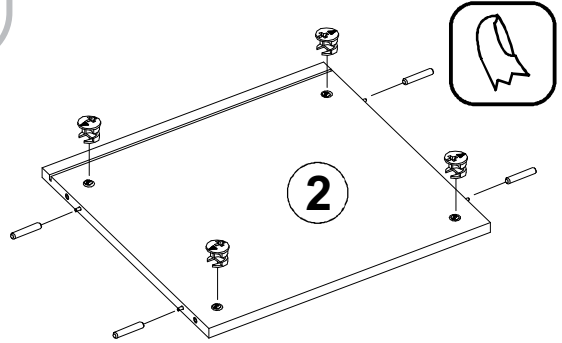
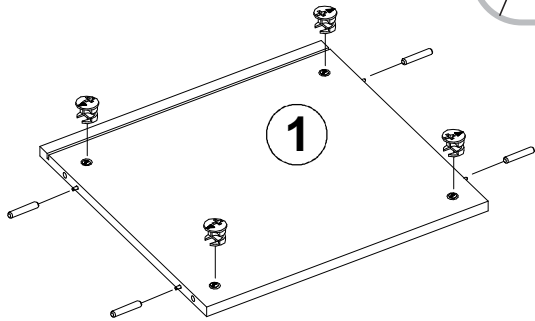
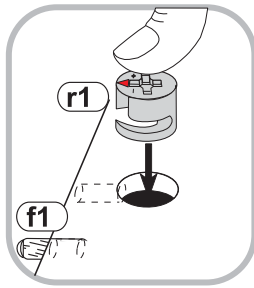
C



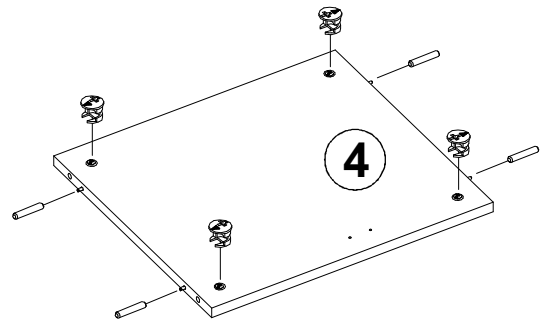
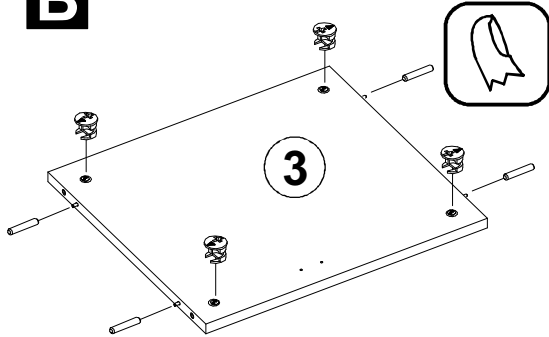
2



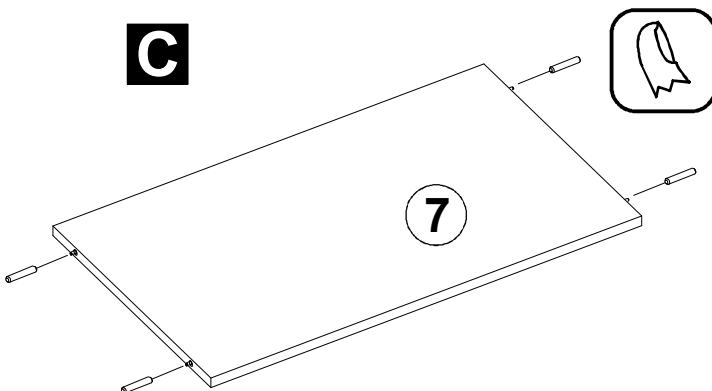
A



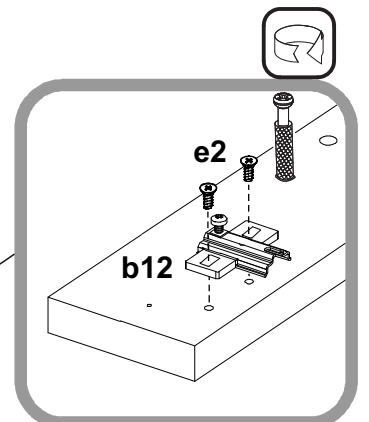
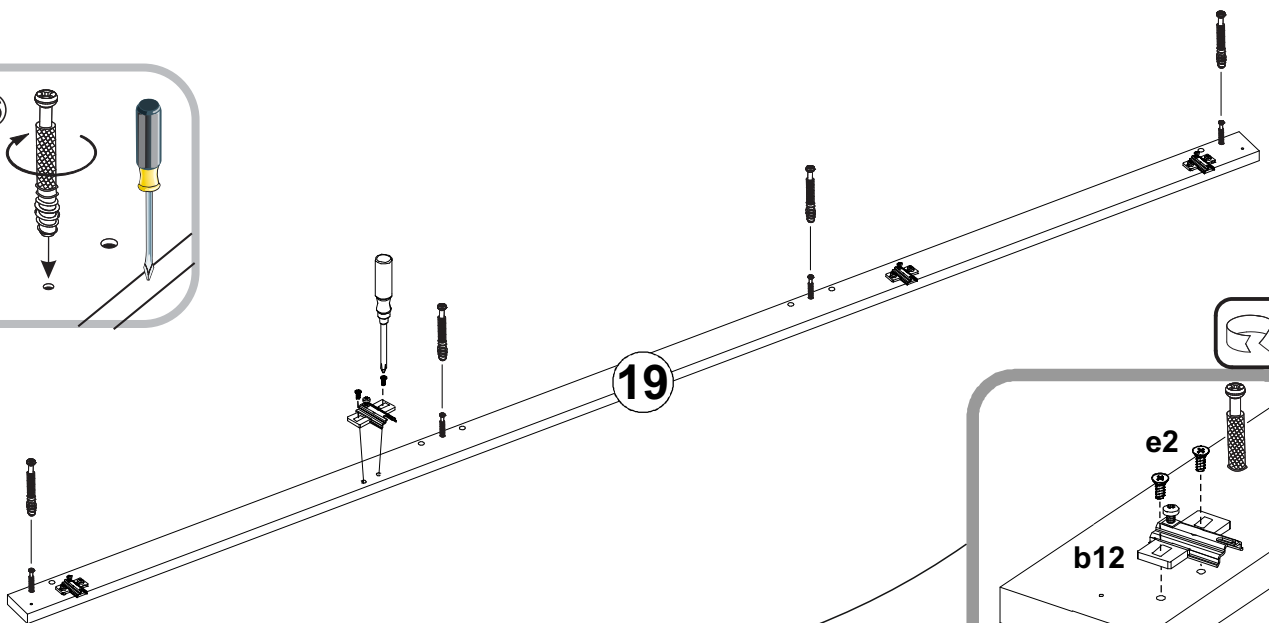
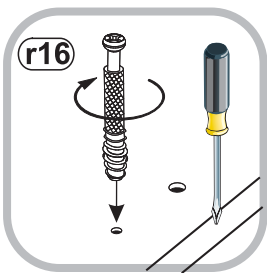
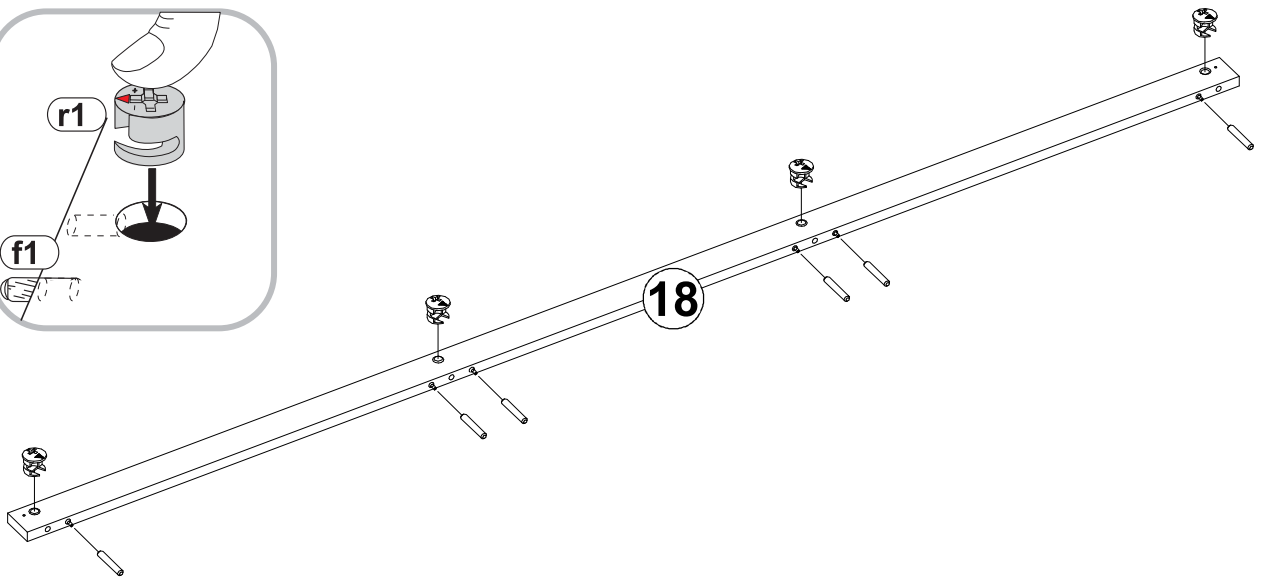
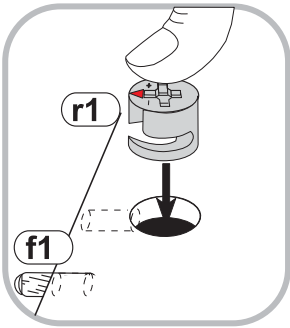
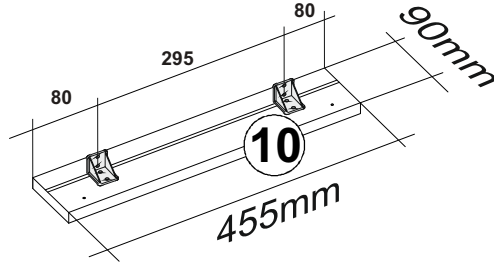
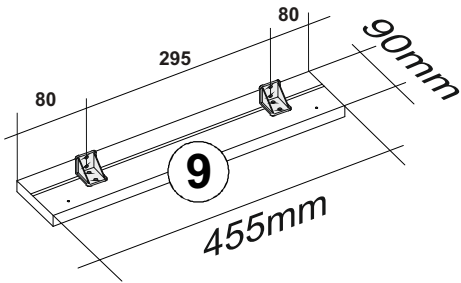
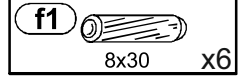
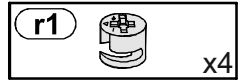
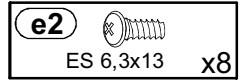
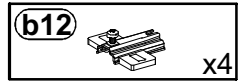
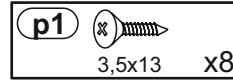
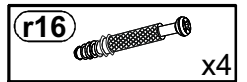
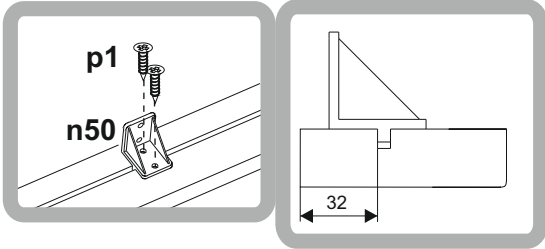
B



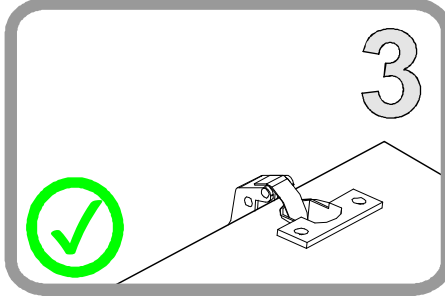
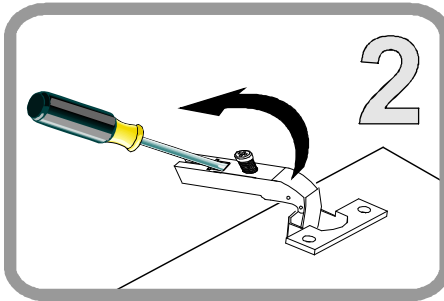
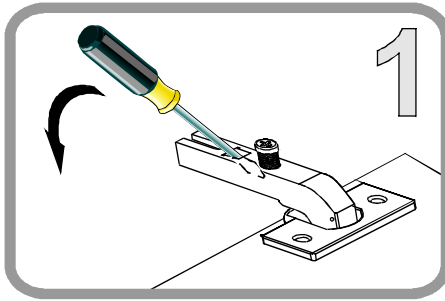
C

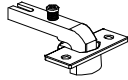
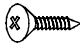
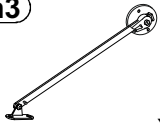



3

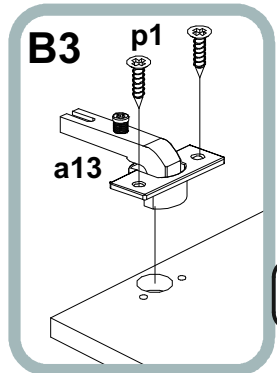
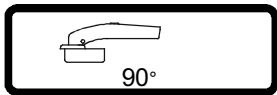
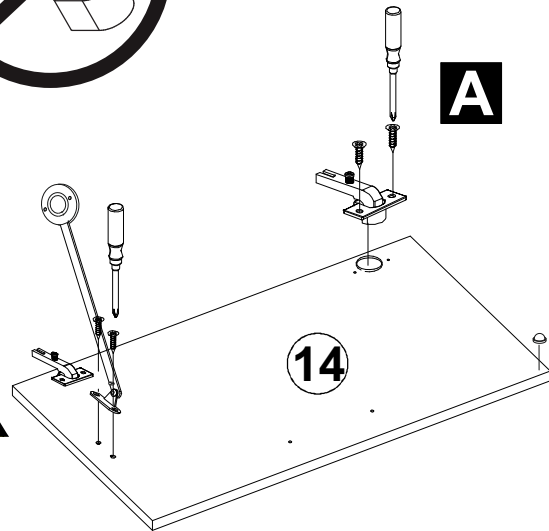


4

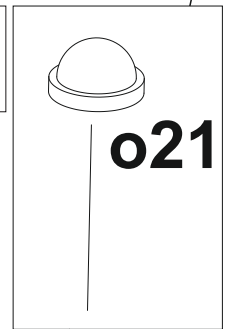


- a13**  $\phi 35$ 90° x4
- p1**  3,5x13 x12
- m3**  x2
- o21**  x2

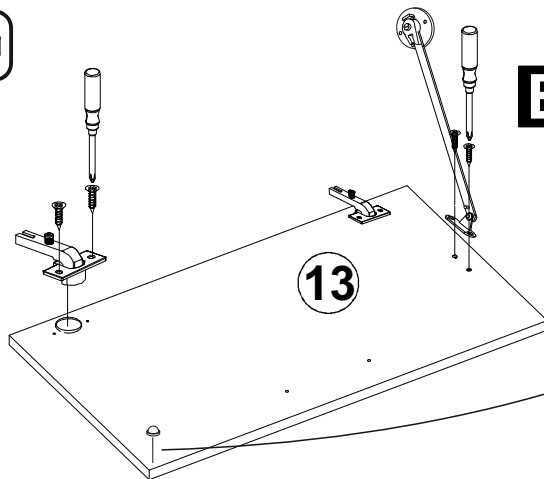
A



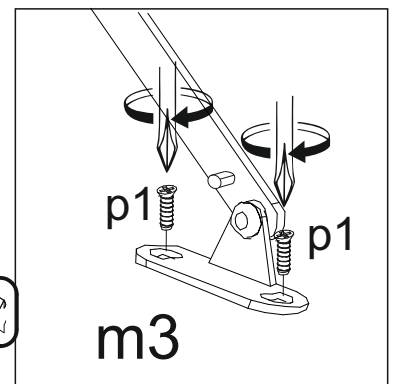
14



B



13



p1

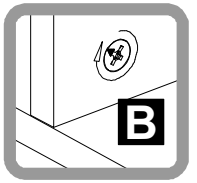
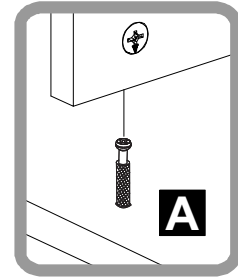
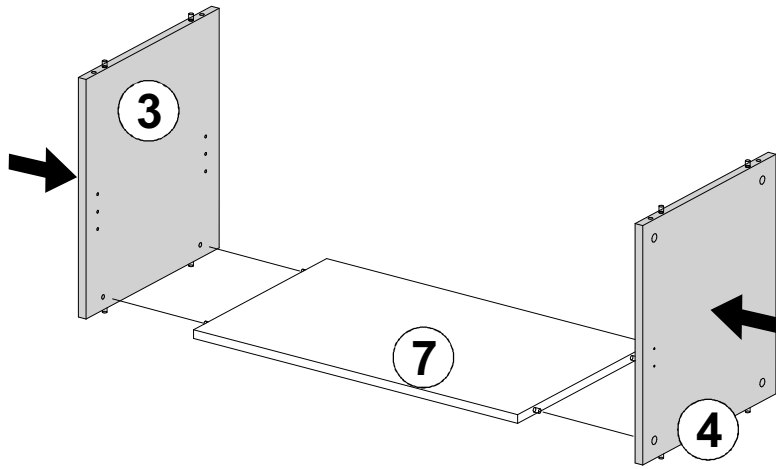
p1

m3

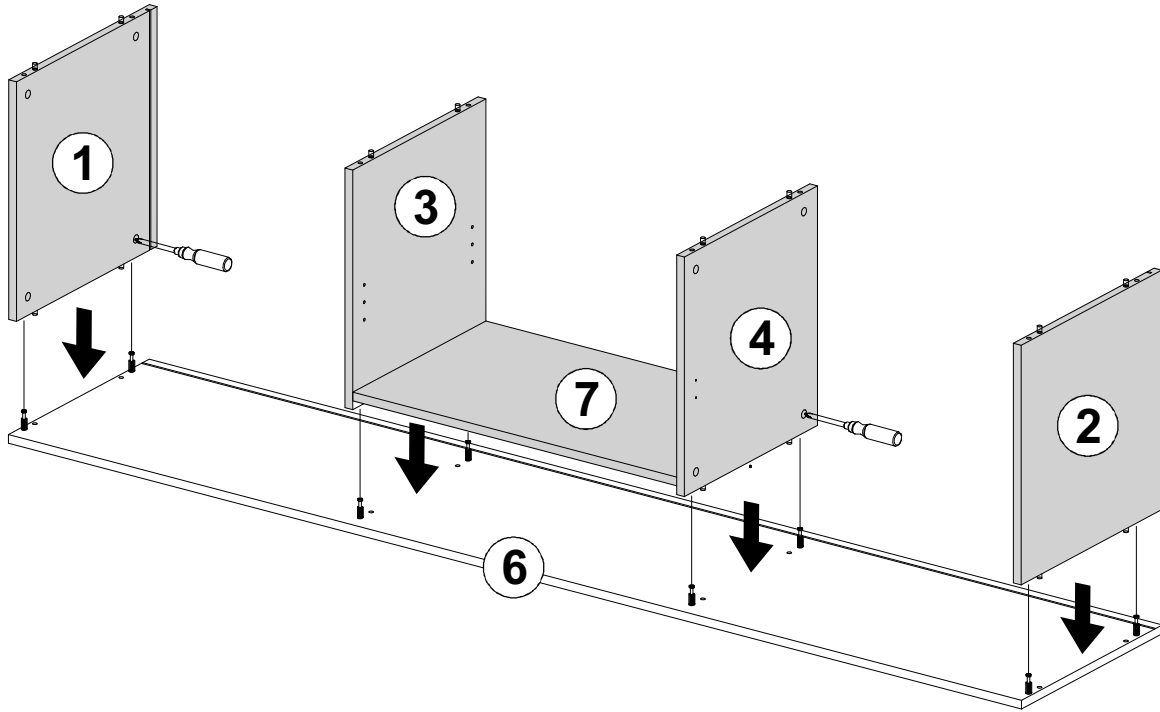


5

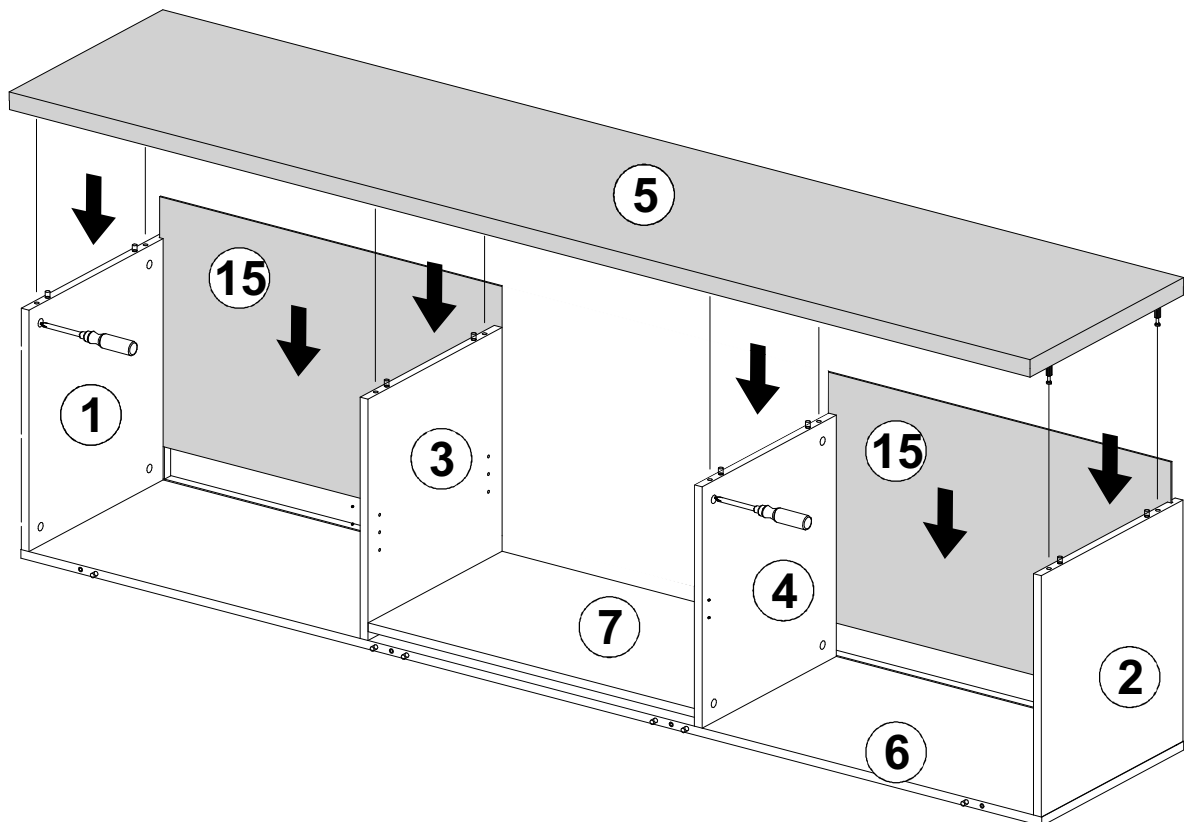
A



B

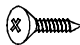


C

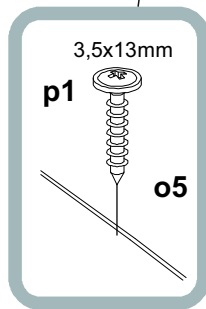
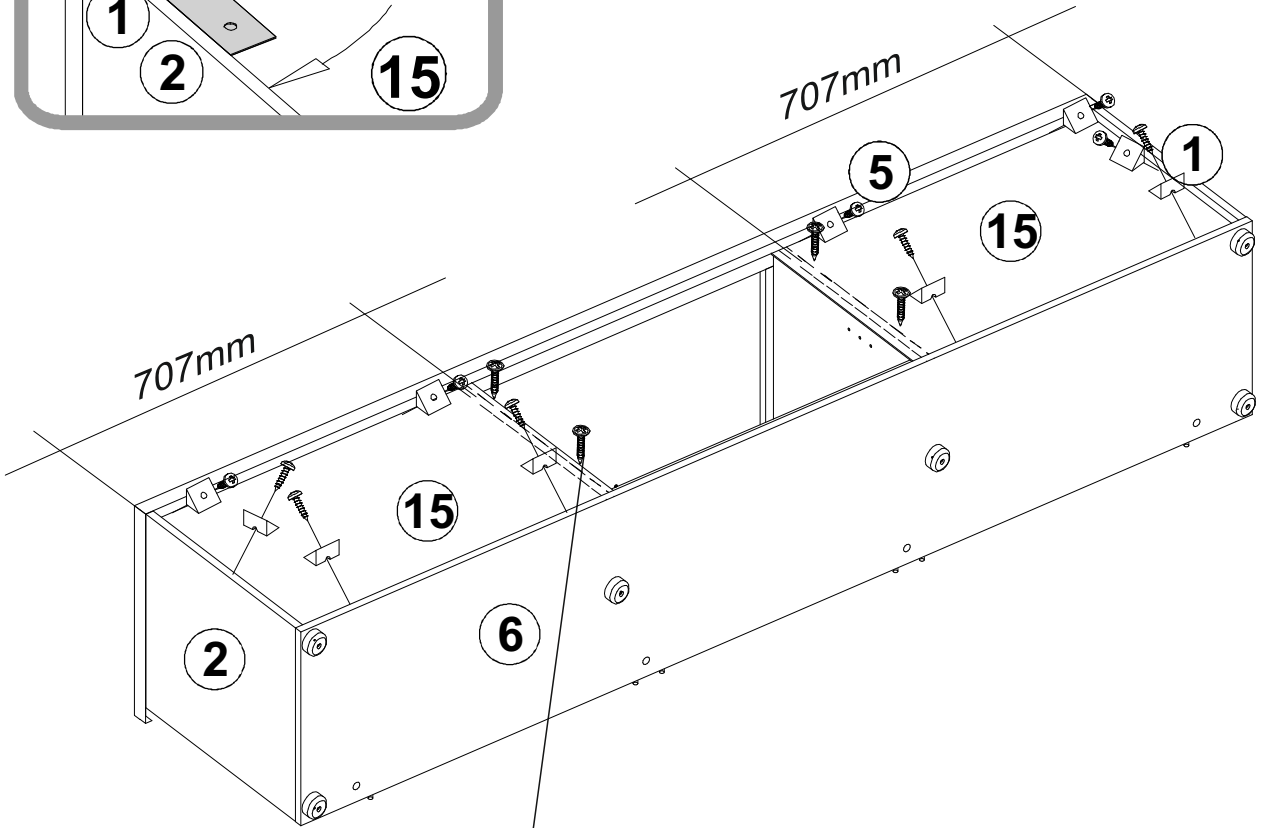
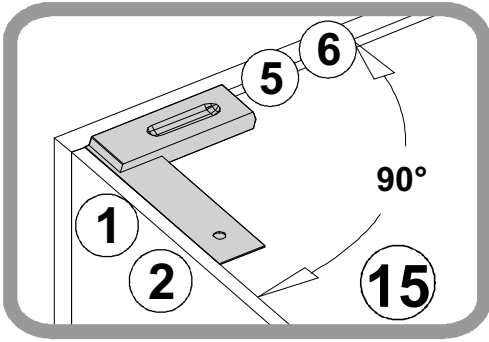


6

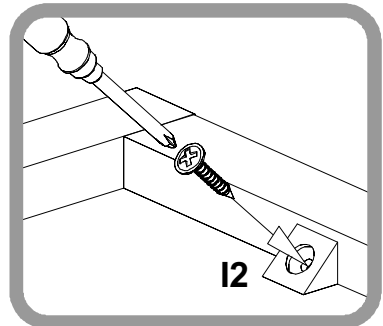
I2  x10

p1  3,5x13 x4


A

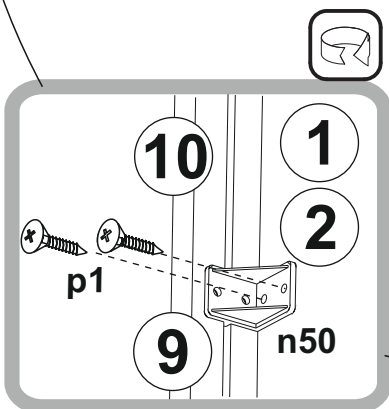
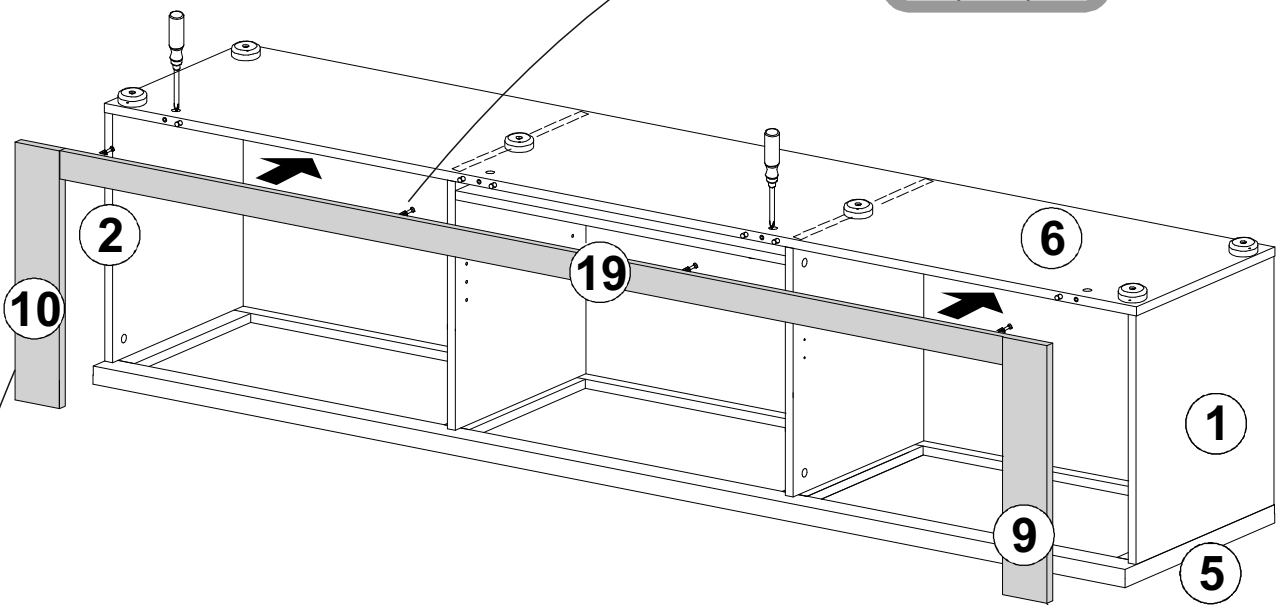
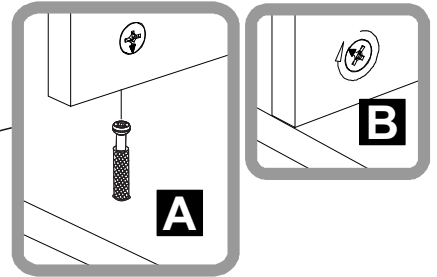


B



7

p1  3,5x13 x8

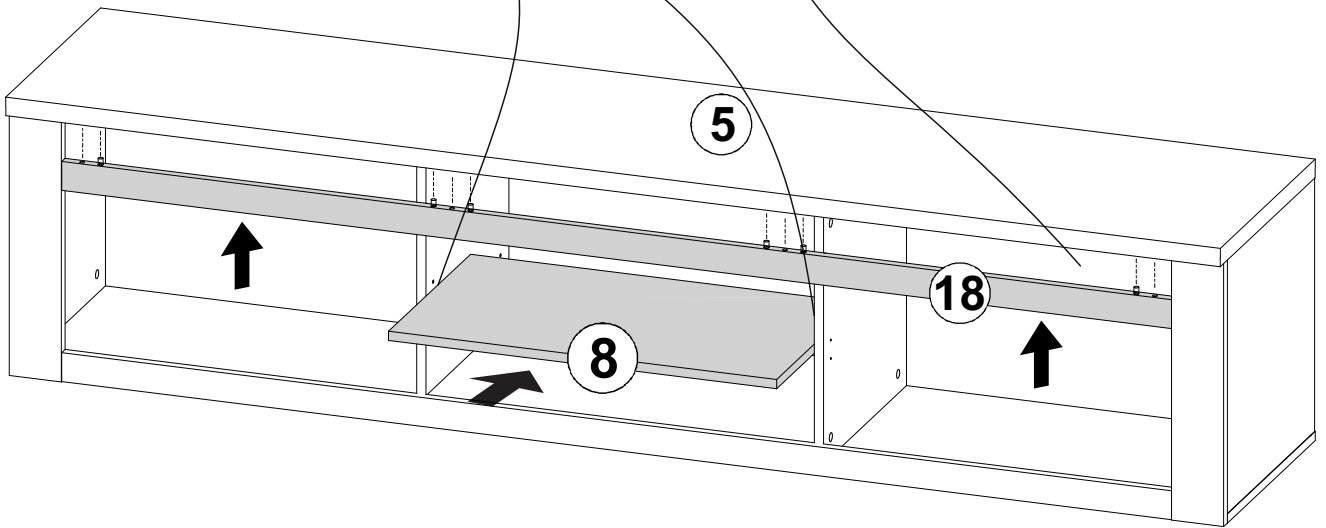
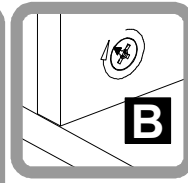
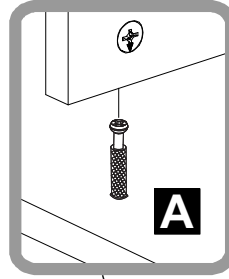
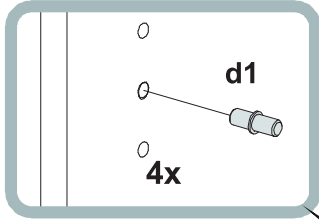


8

d1



x4



9

n5



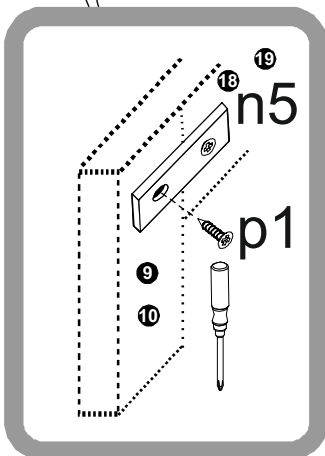
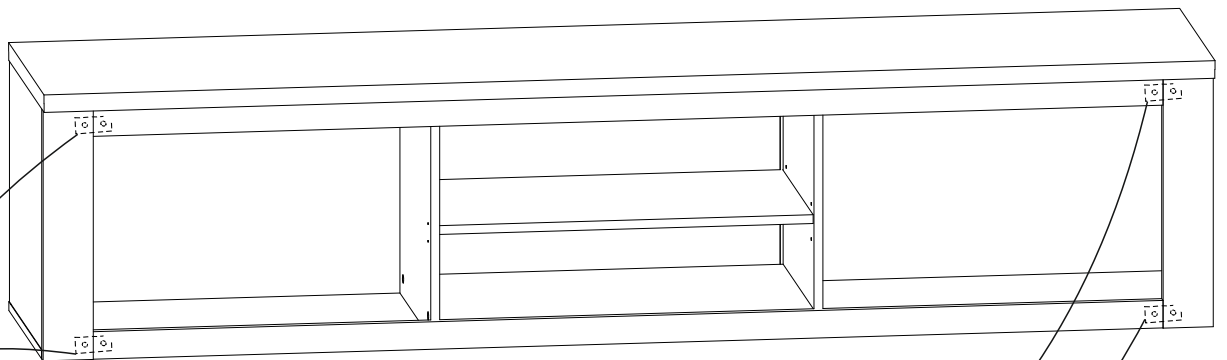
x4

p1

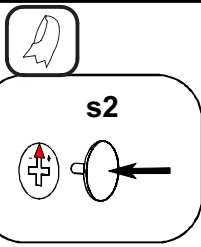


3,5x13

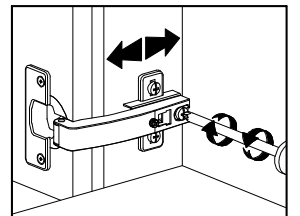
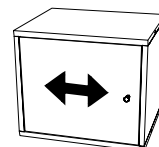
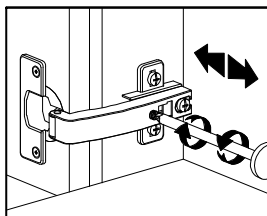
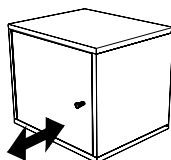
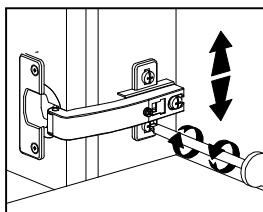
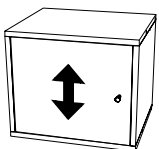
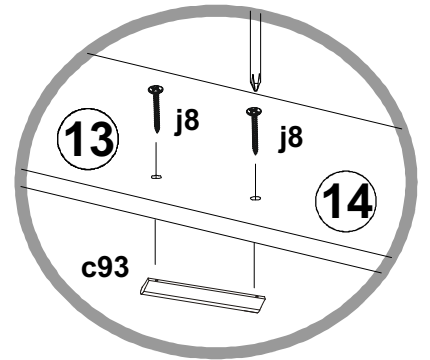
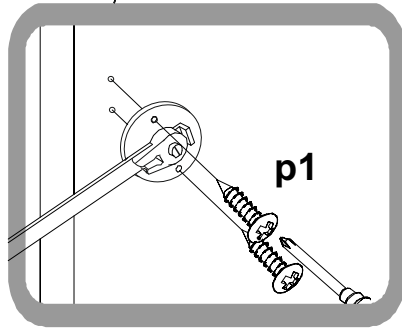
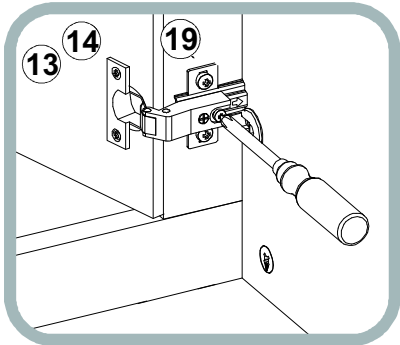
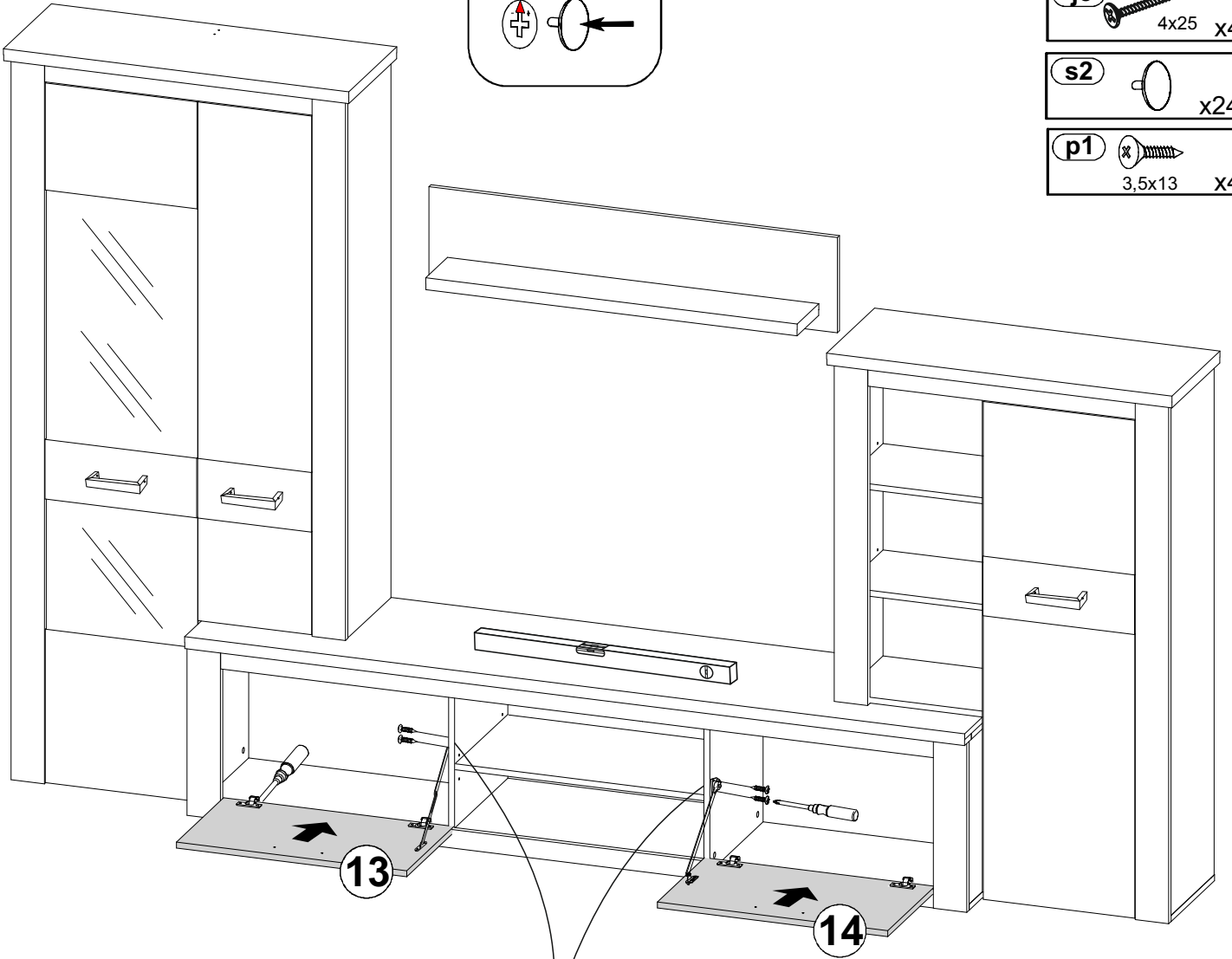
x8

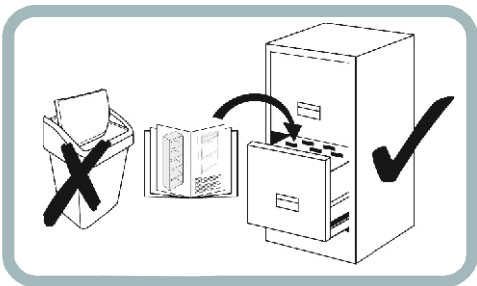
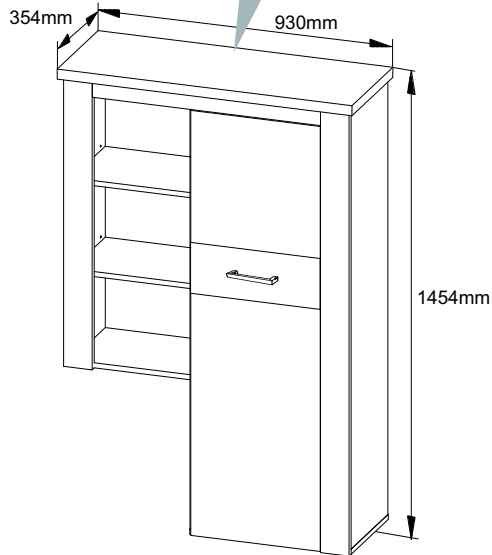
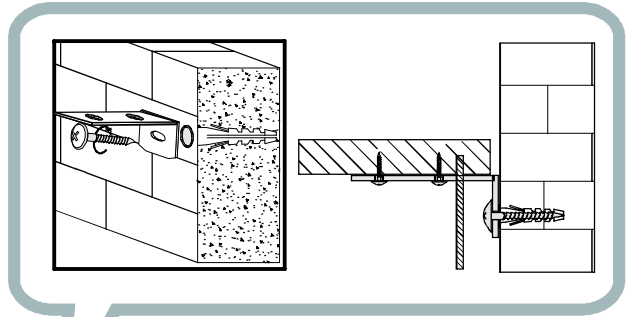
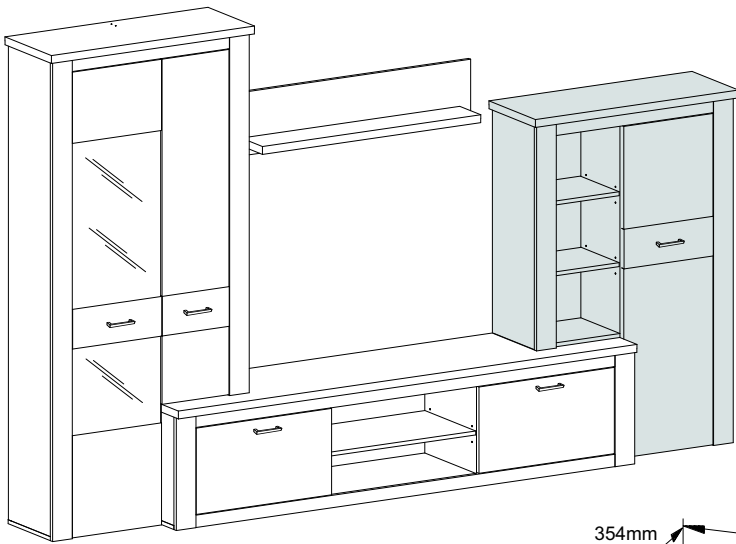
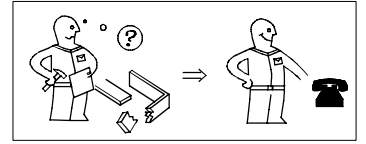
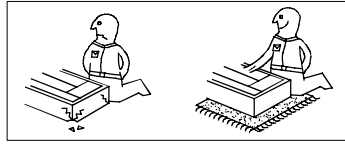
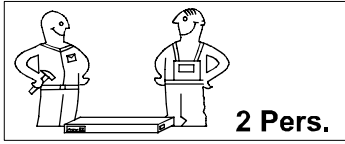


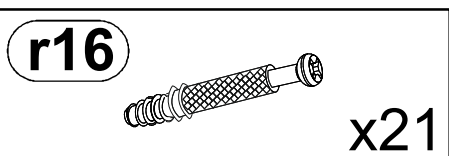
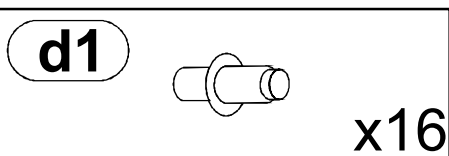
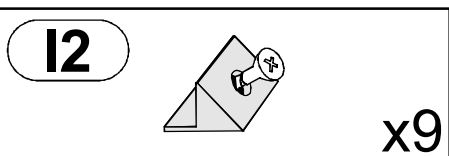
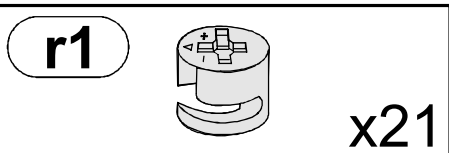
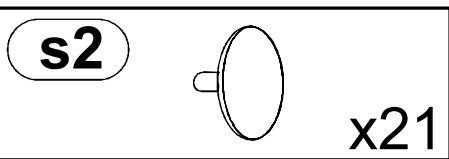
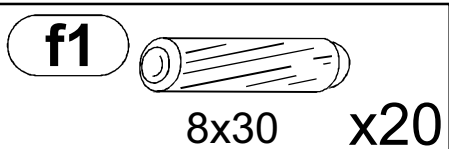
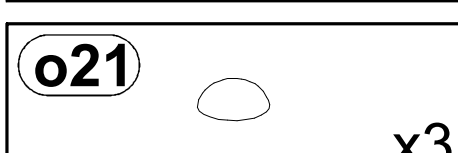
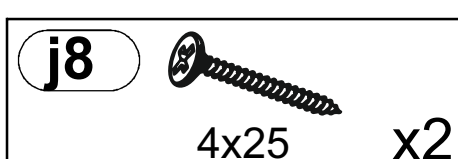
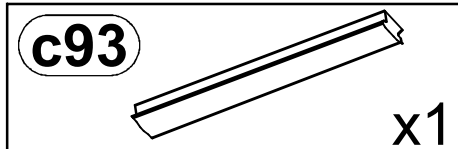
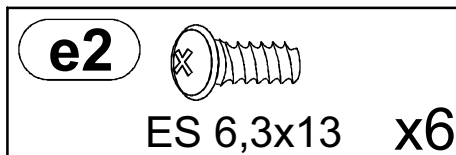
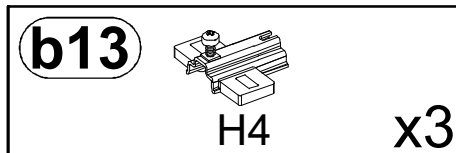
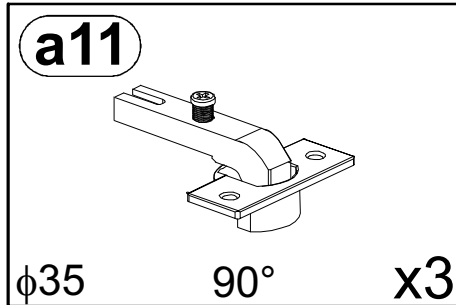
10



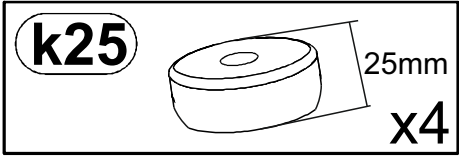
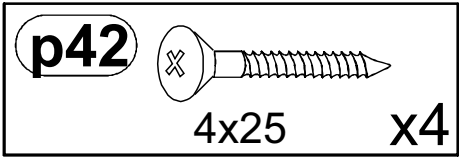
- c93** x2
- j8** 4x25 x4
- s2** x24
- p1** 3,5x13 x4



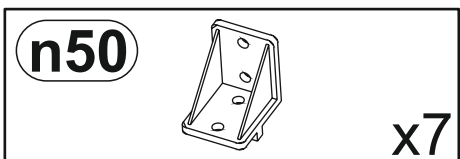
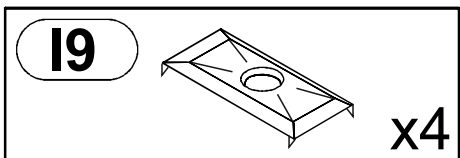
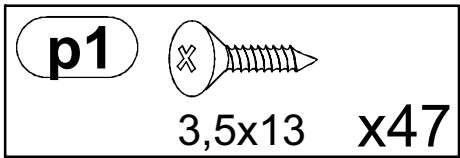
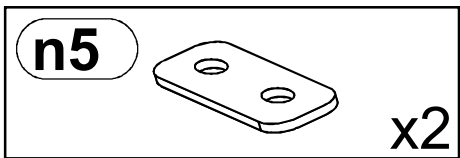


B1**B2****B3**

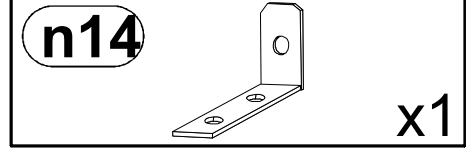
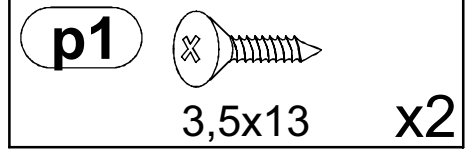
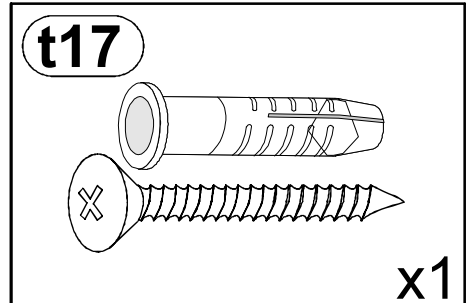
B4



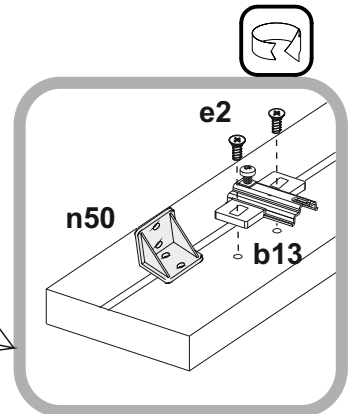
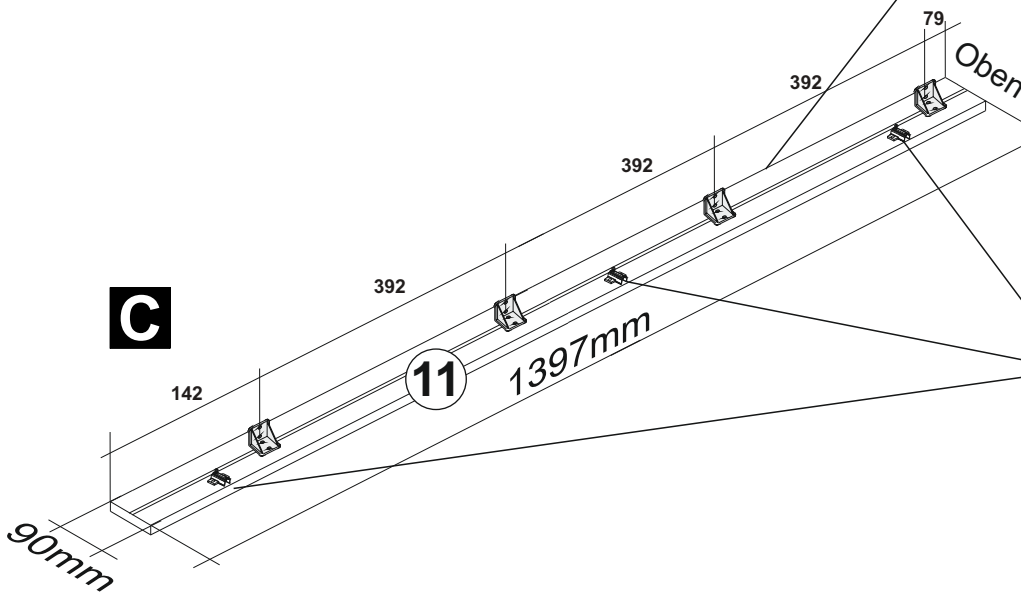
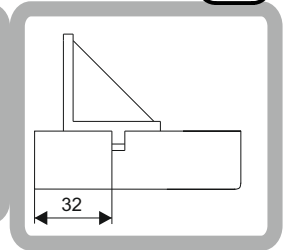
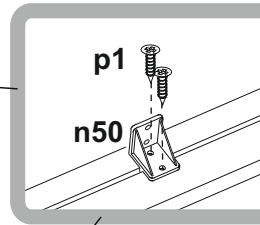
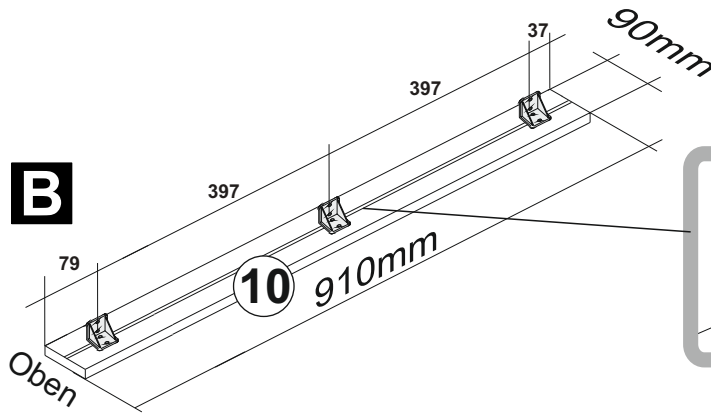
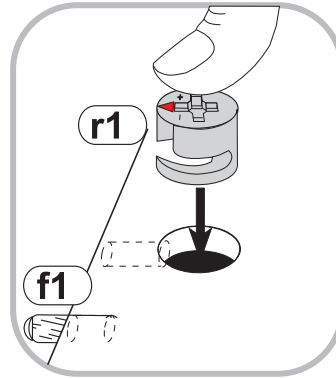
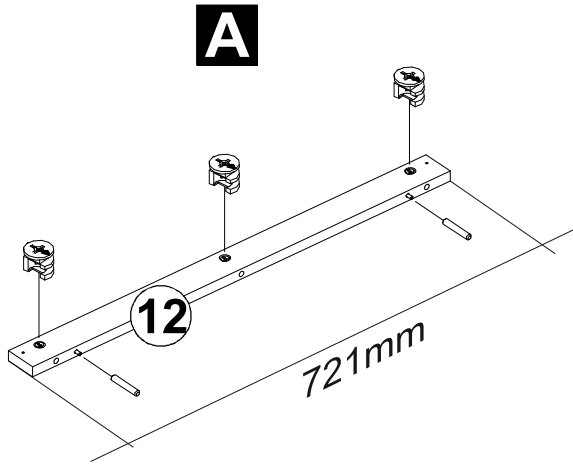
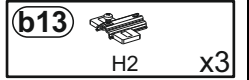
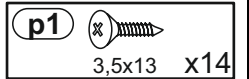
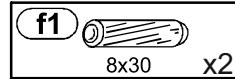
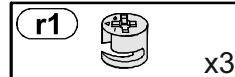
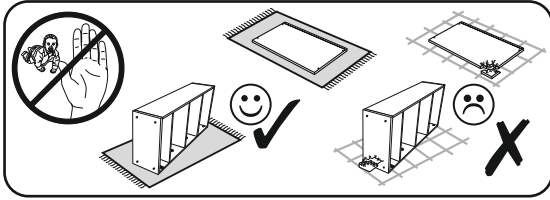
B5



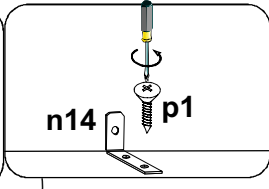
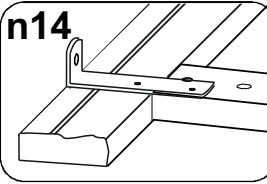
B6



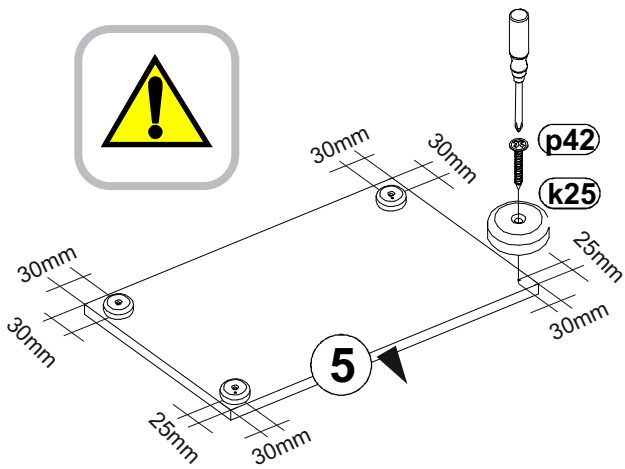
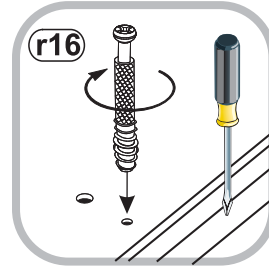
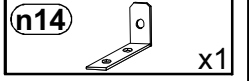
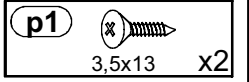
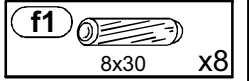
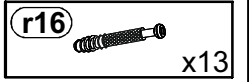
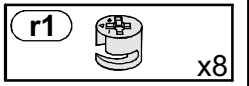
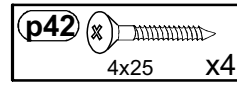
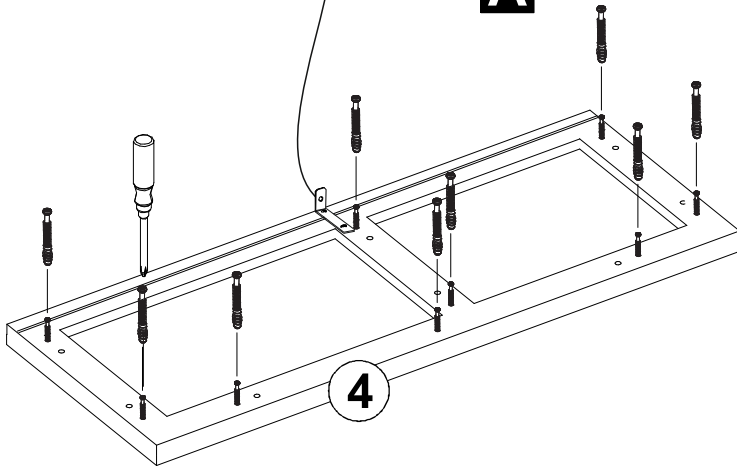
1



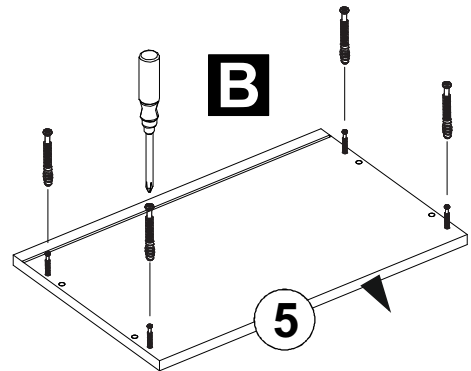
2



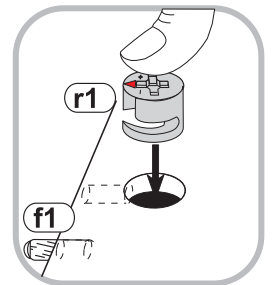
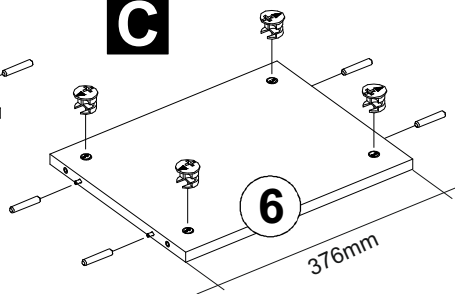
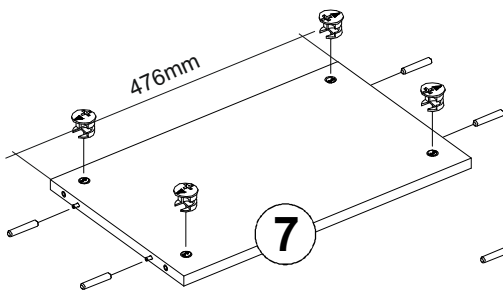
A



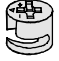
B




C

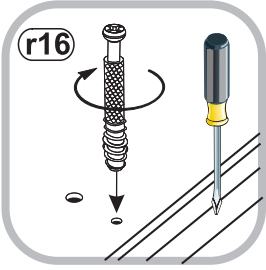


3

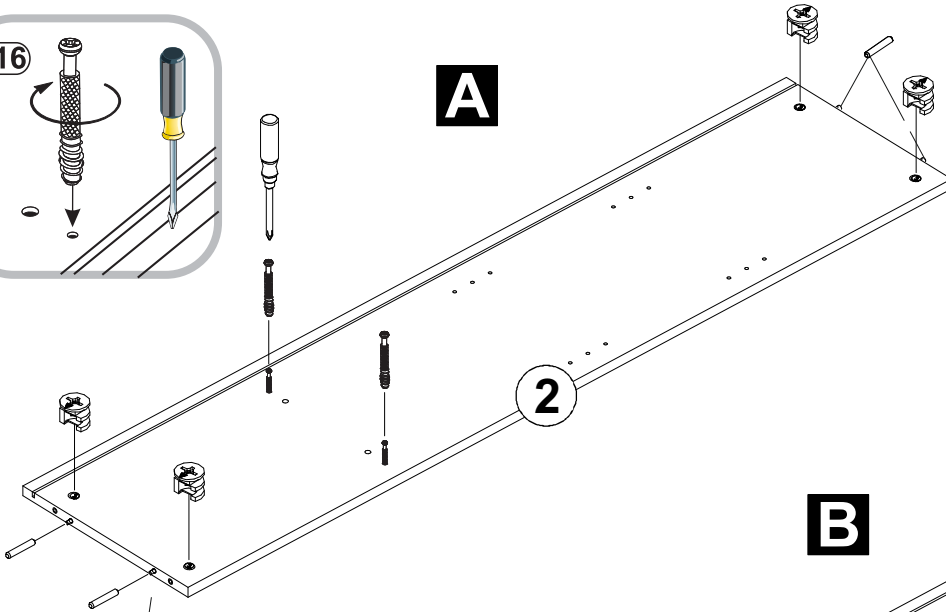
r1  x10

r16  x8

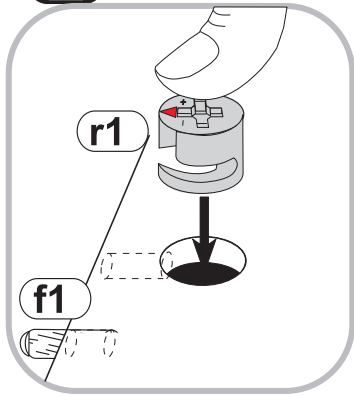
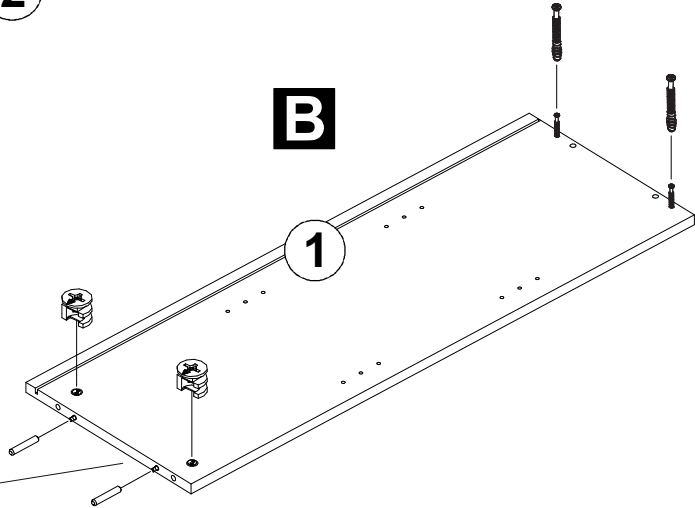
f1  8x30 x10



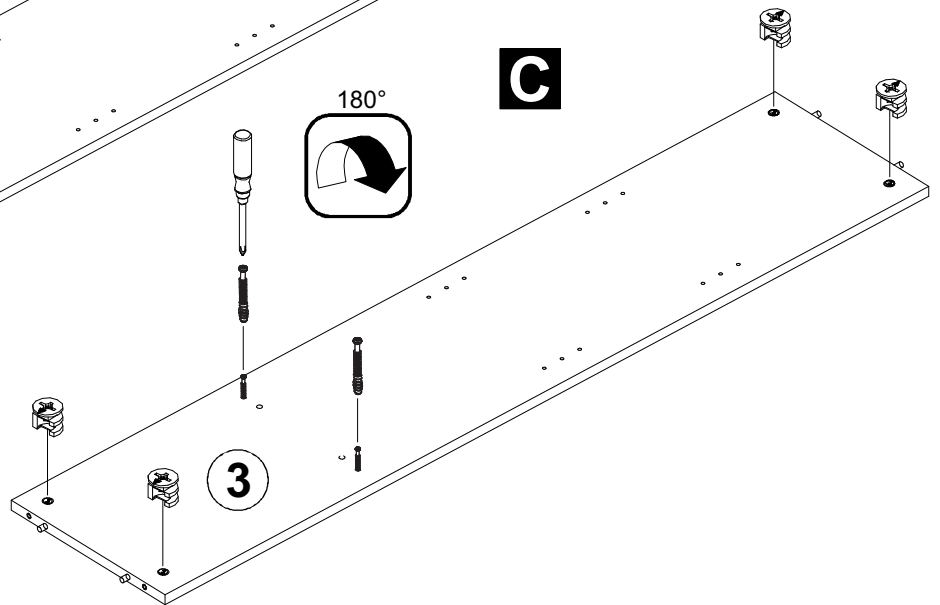
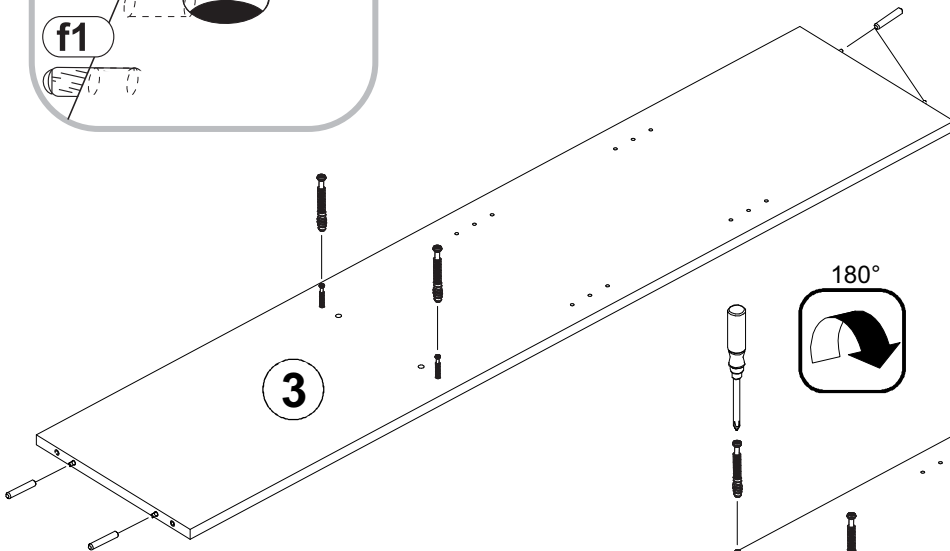
A



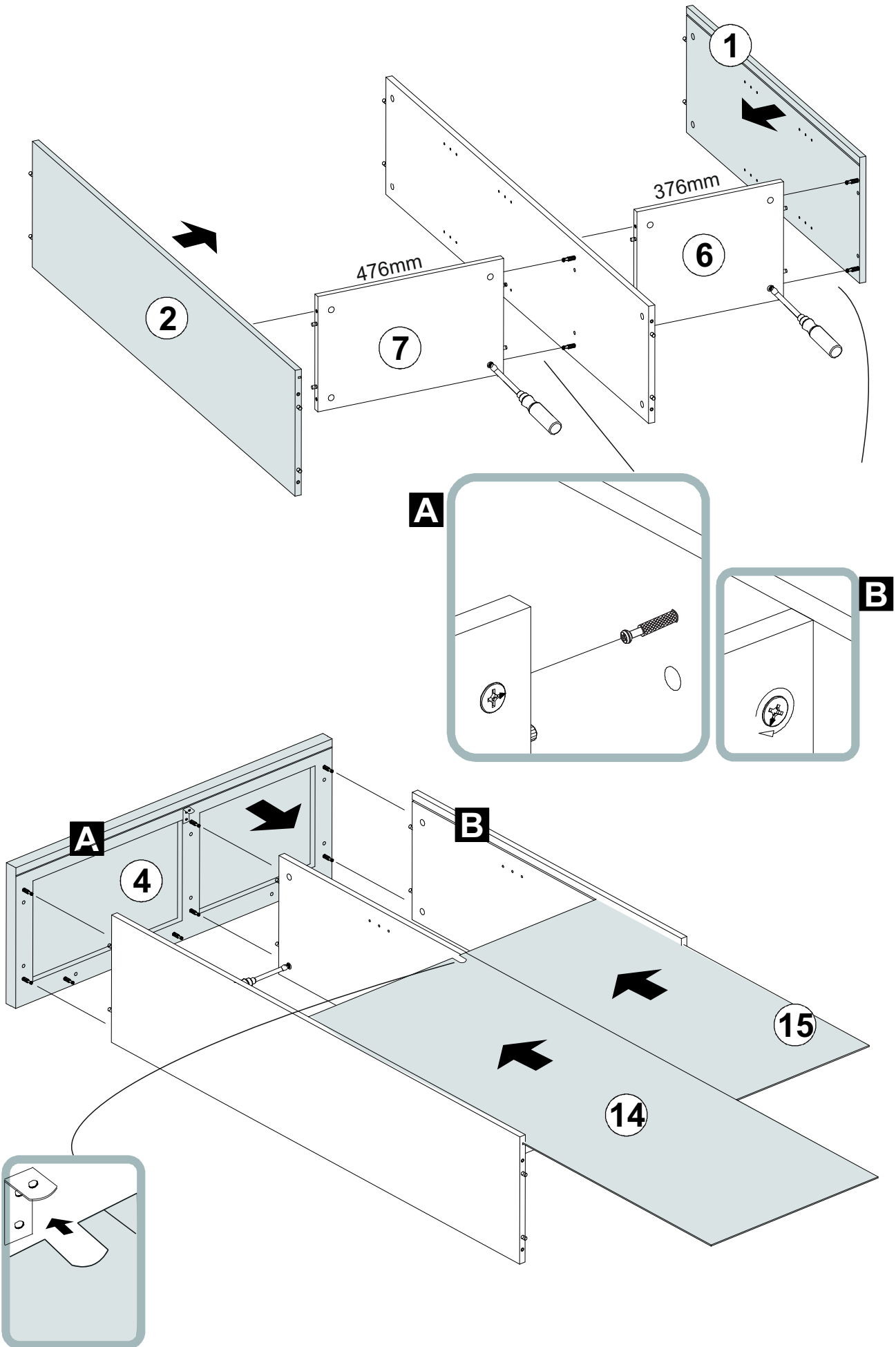
B



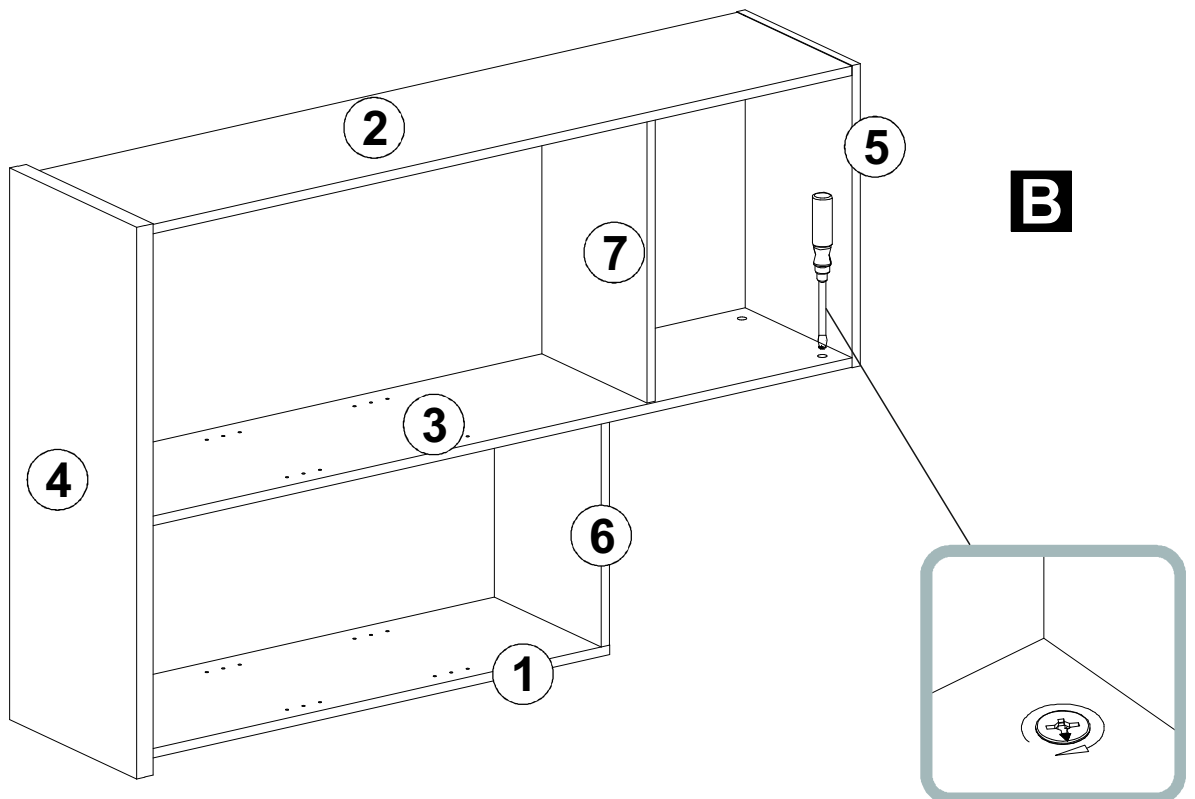
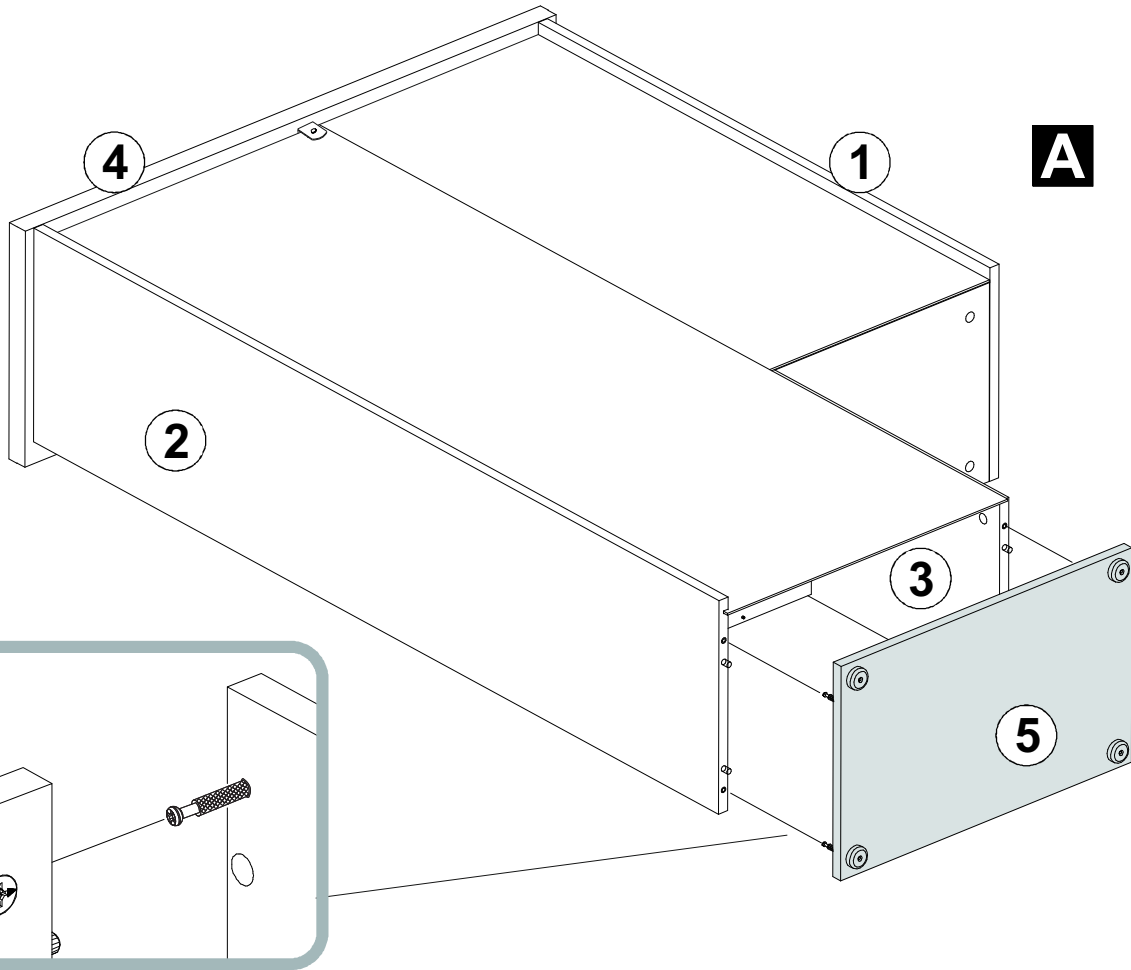
C



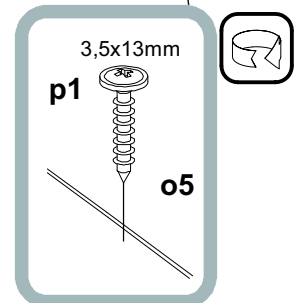
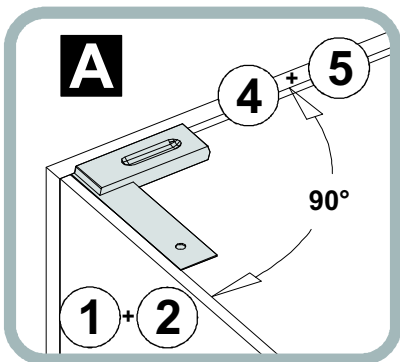
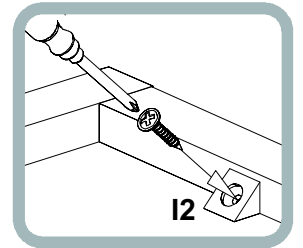
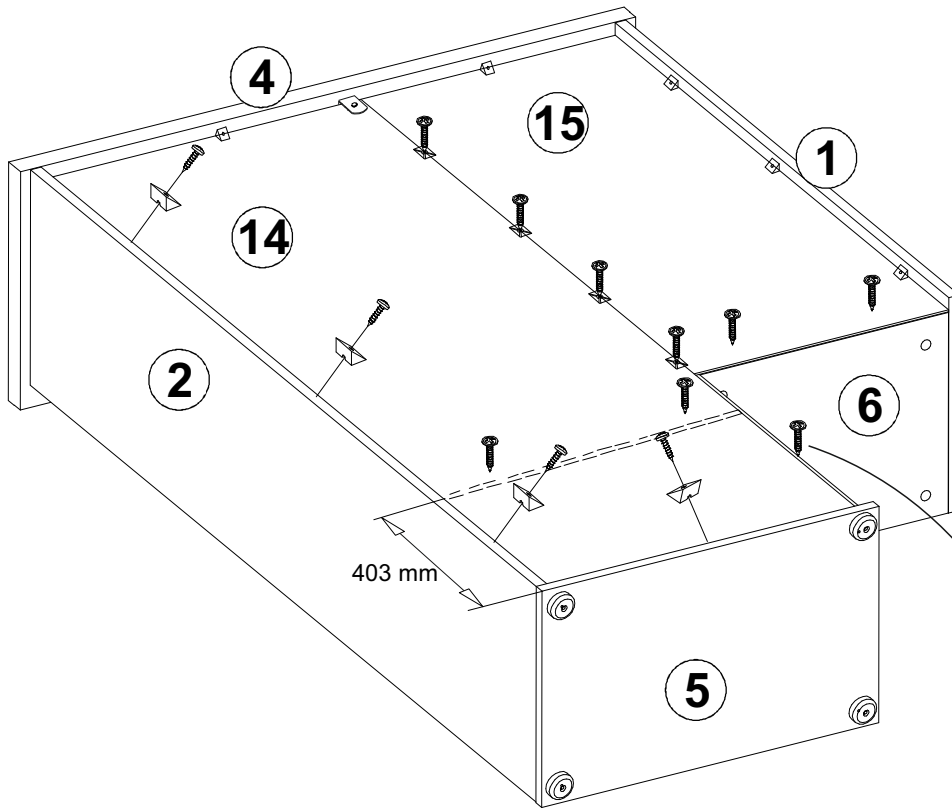
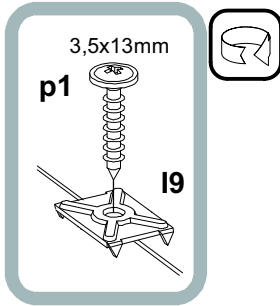
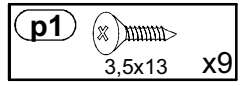
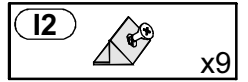
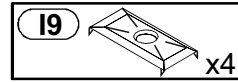
4

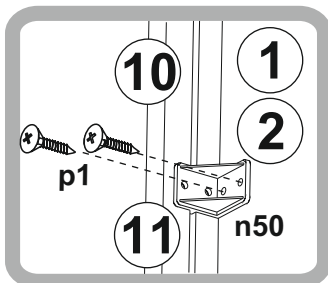
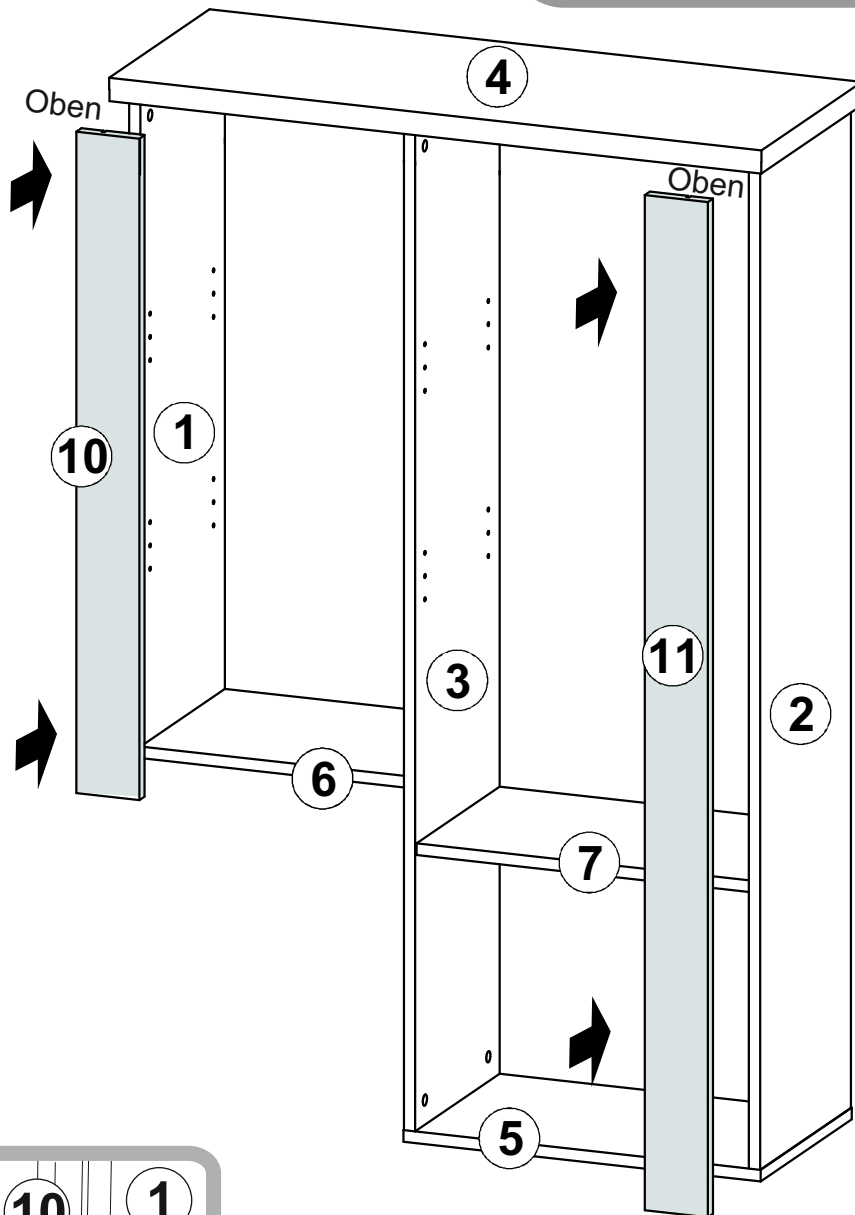
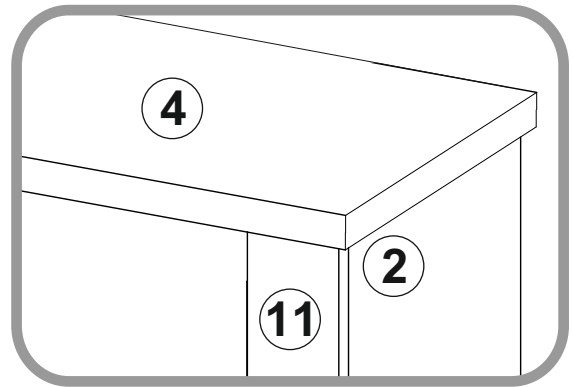


5



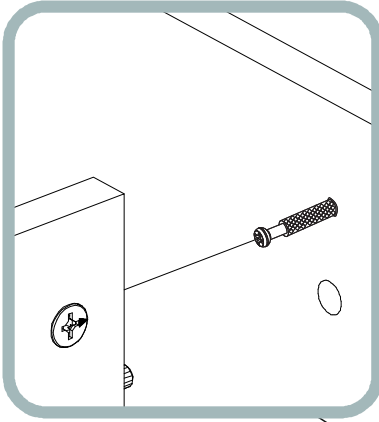
6



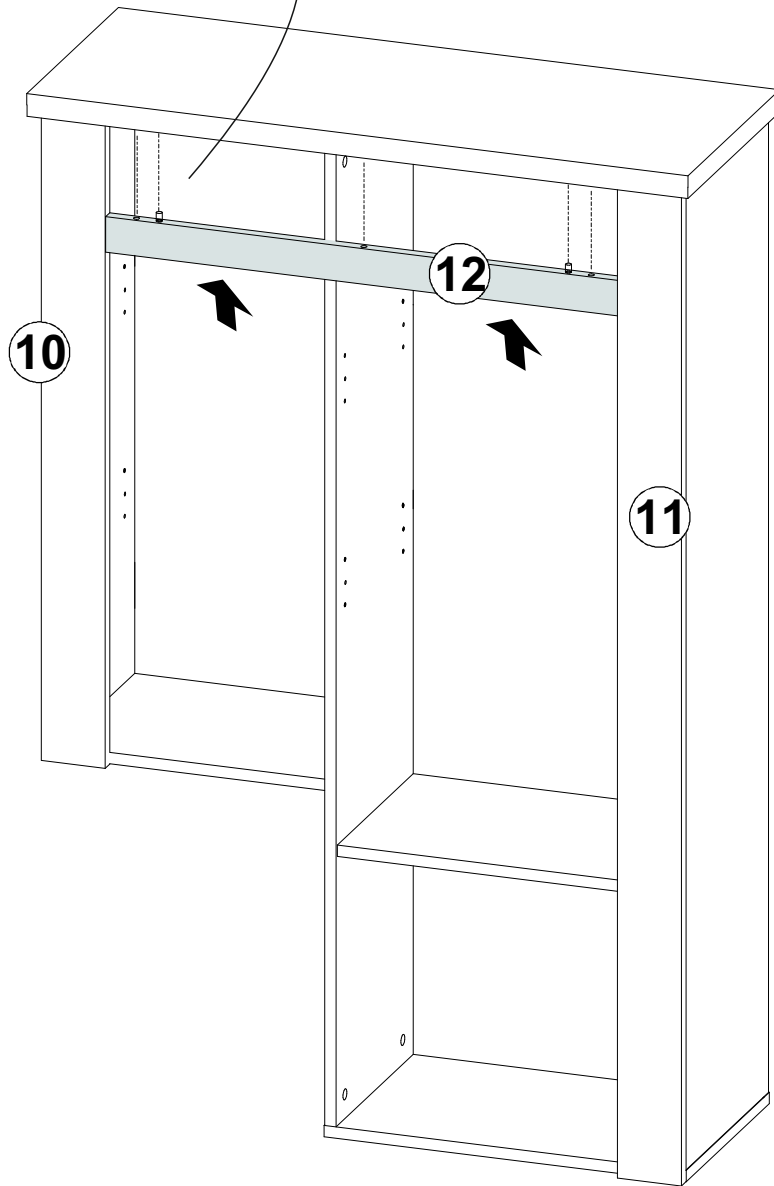
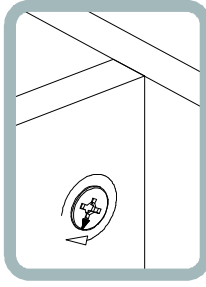


8

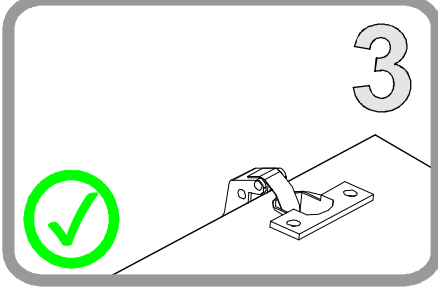
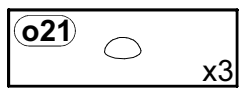
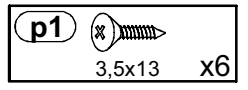
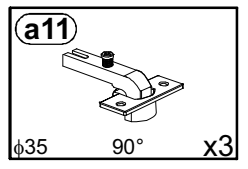
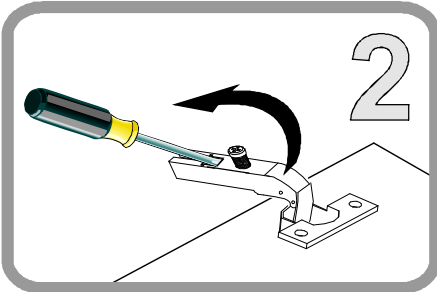
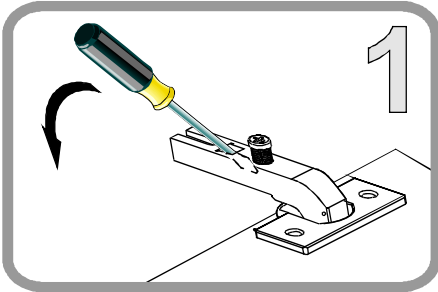
A



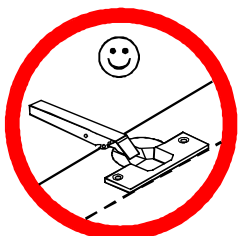
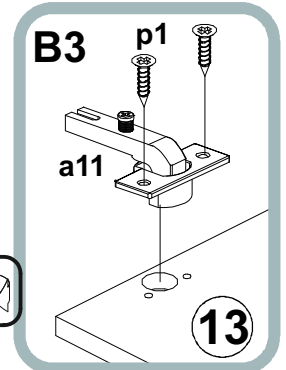
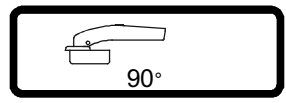
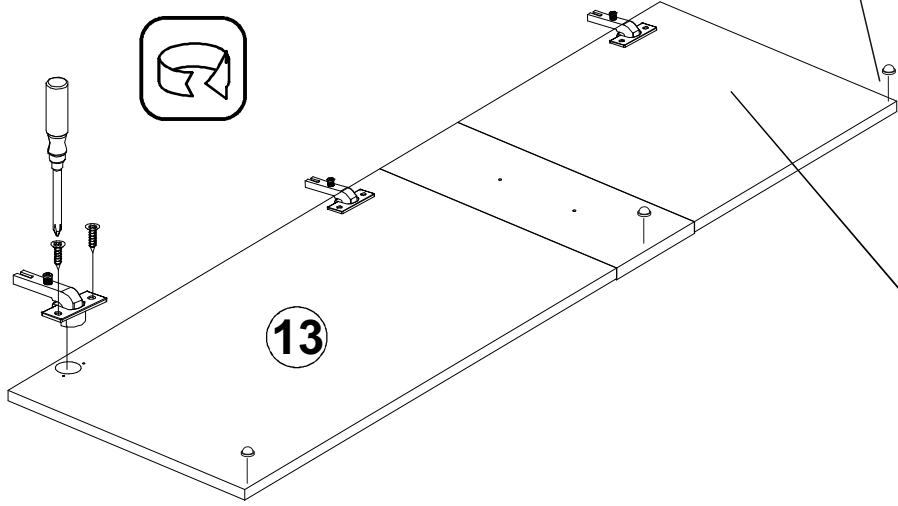
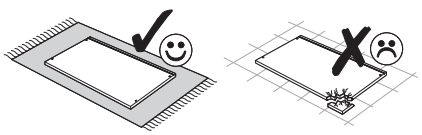
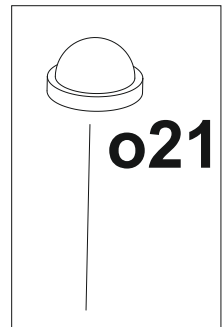
B



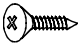
9




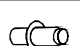
A

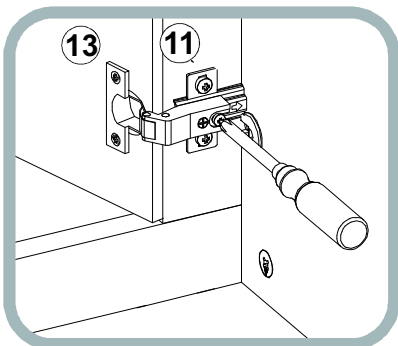
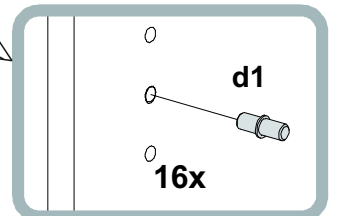
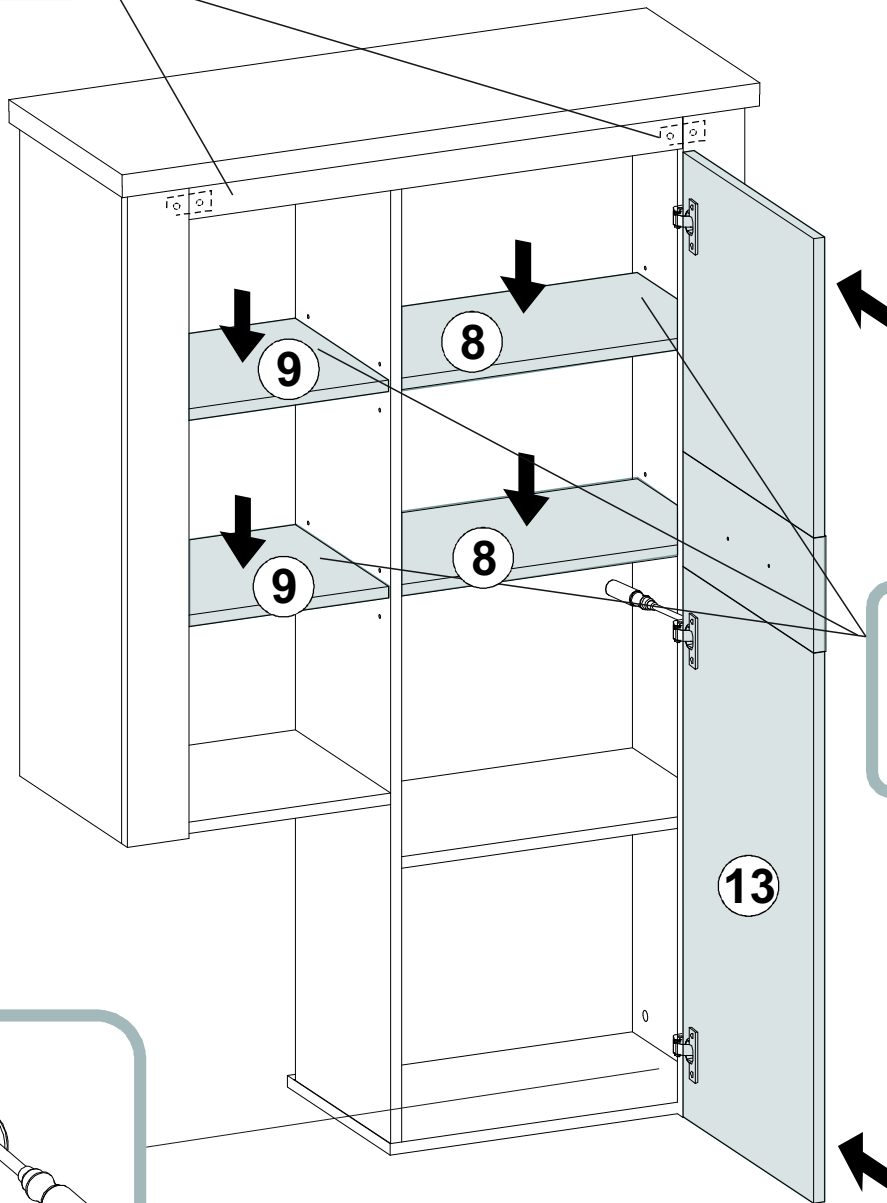
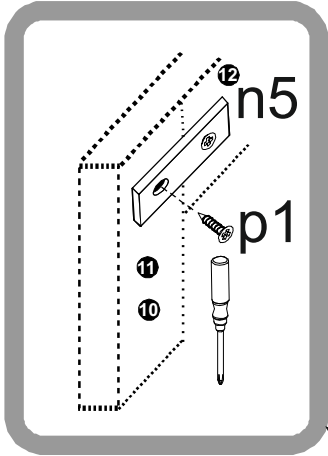


10

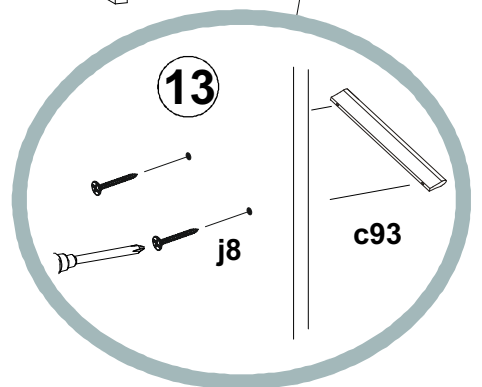
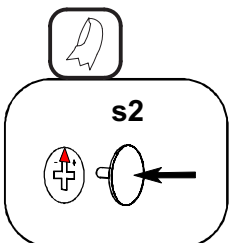
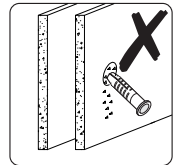
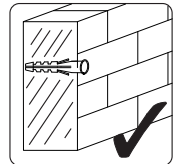
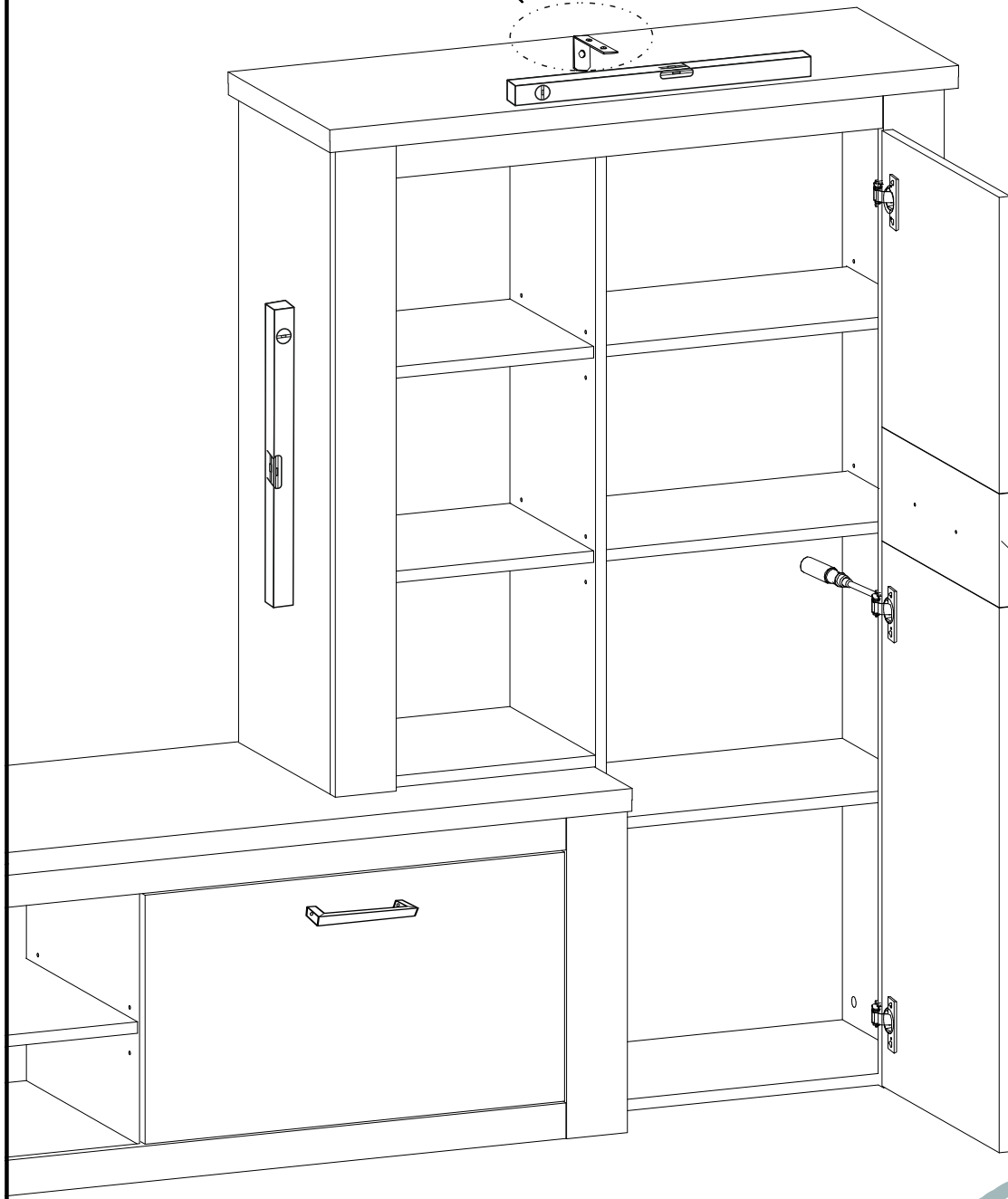
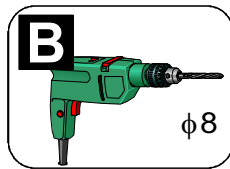
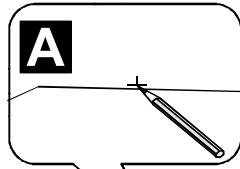
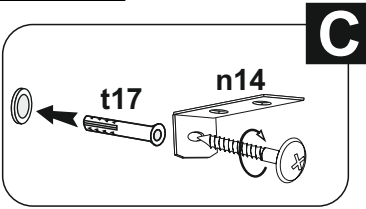
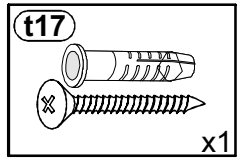
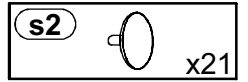
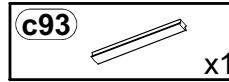
p1  3,5x13 x4

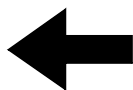
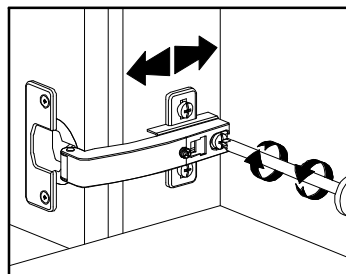
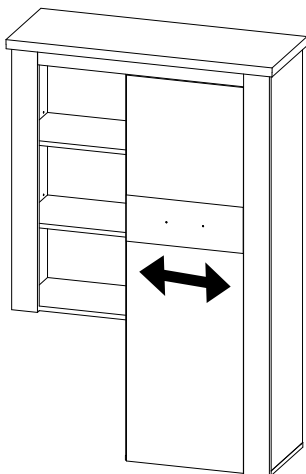
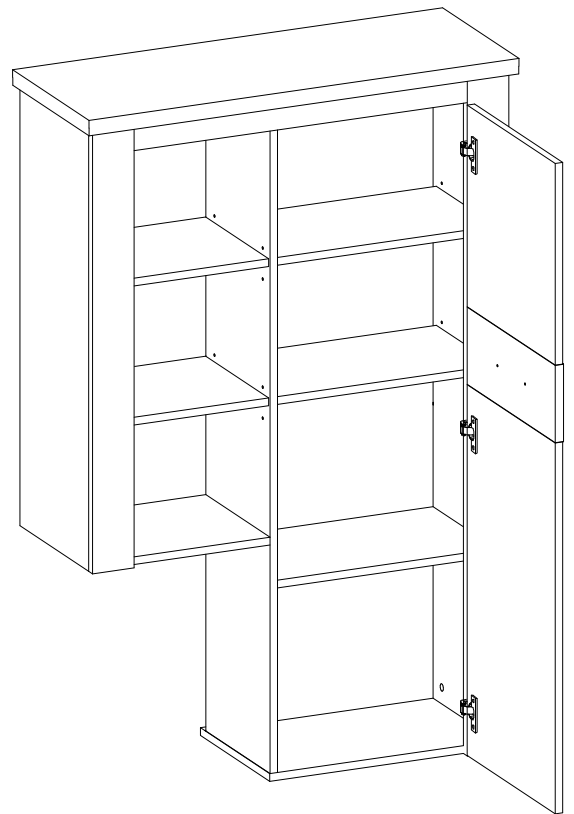
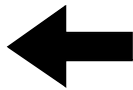
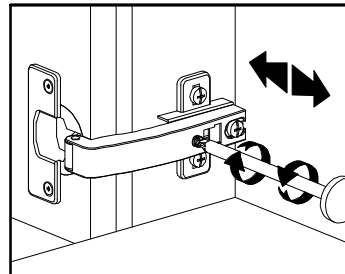
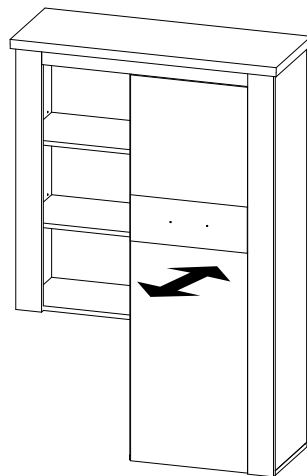
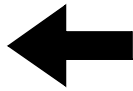
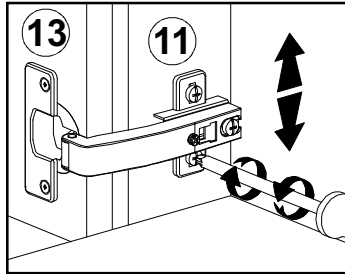
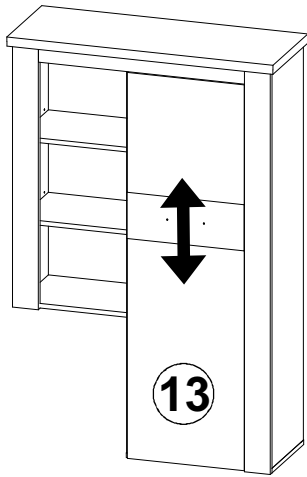
n5  x2

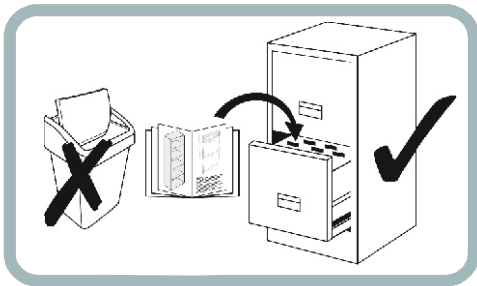
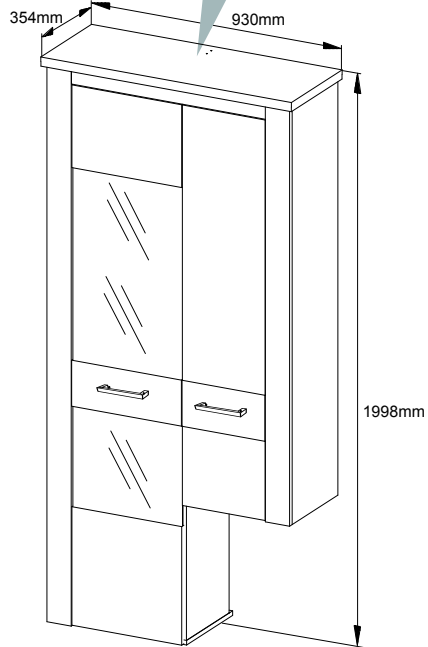
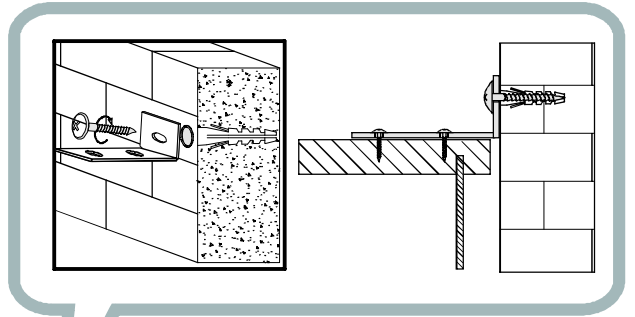
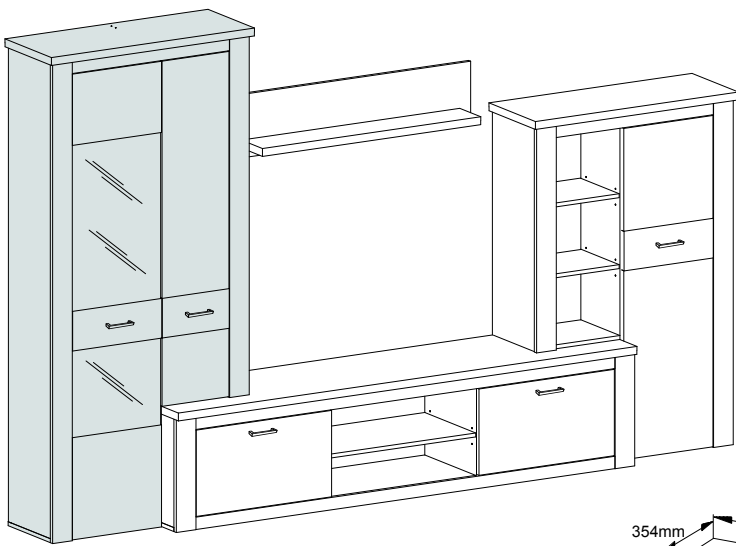
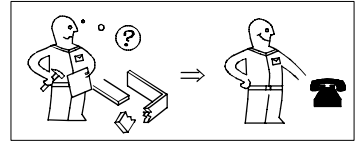
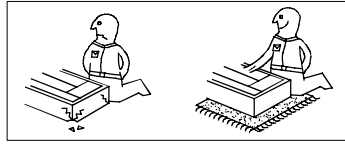
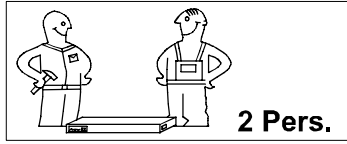
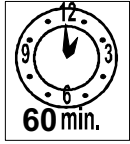
d1  x16



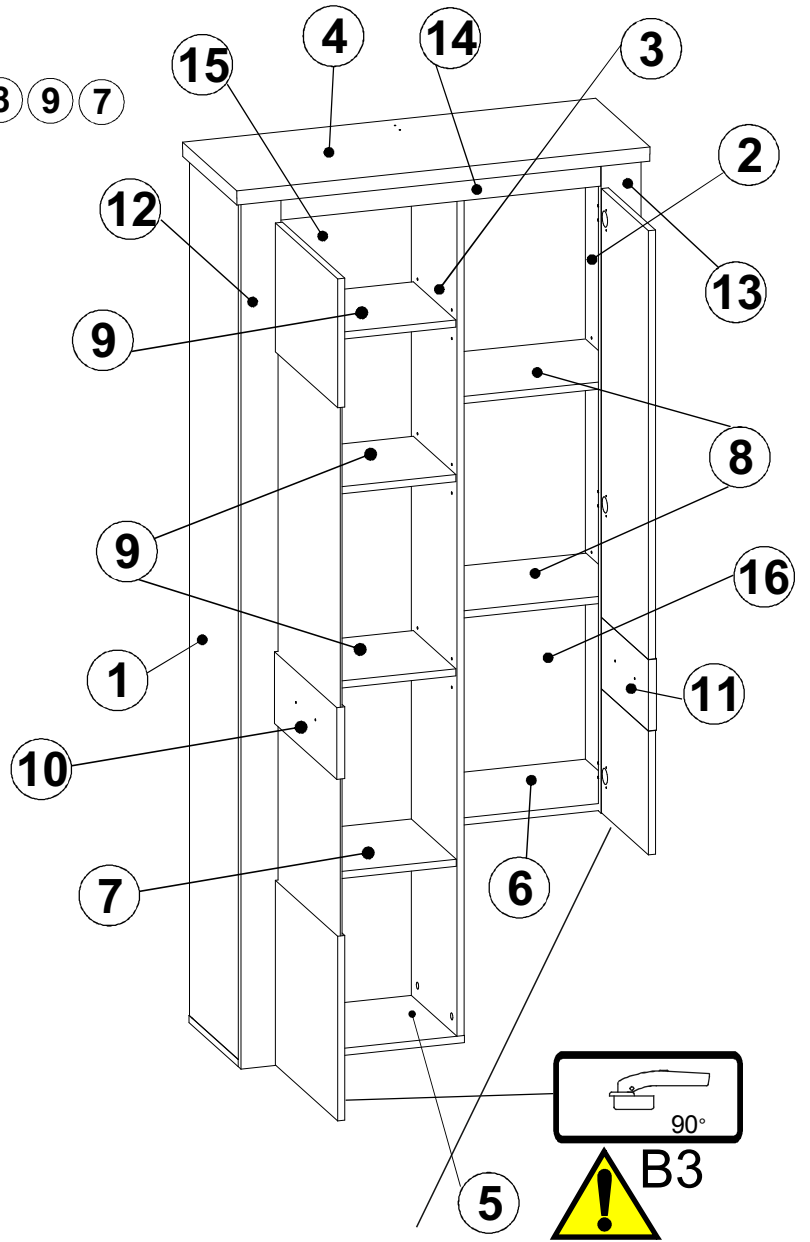
11

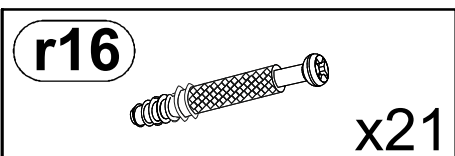
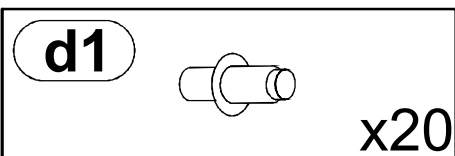
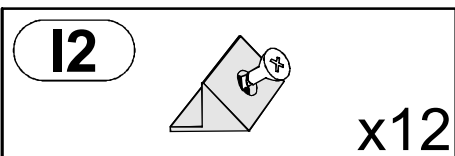
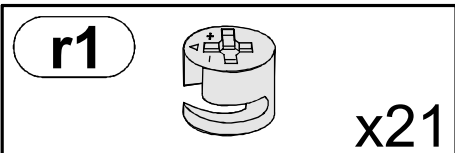
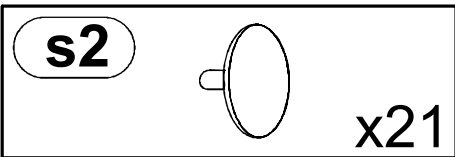
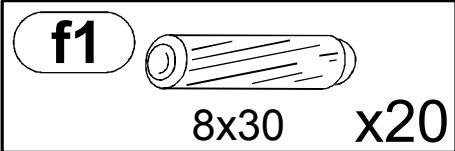
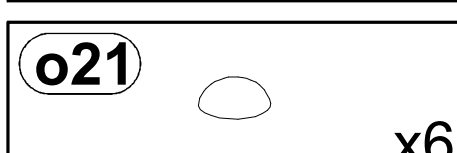
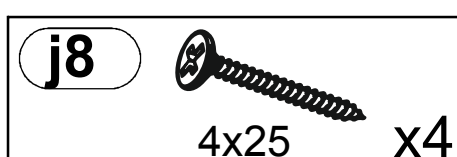
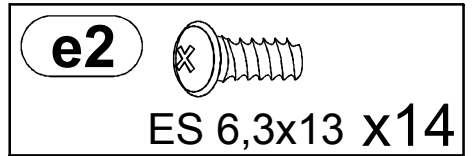
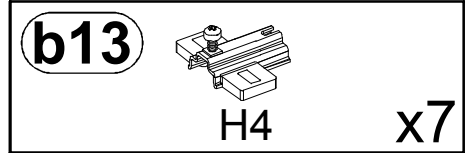
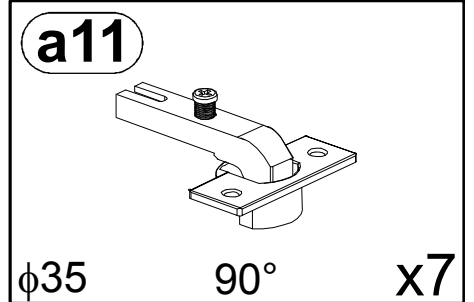




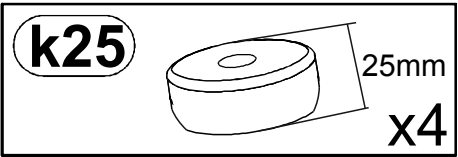
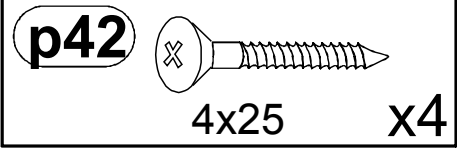


ax.

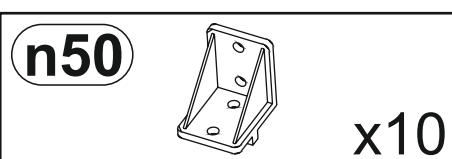
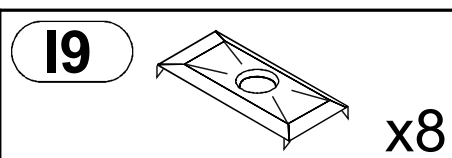
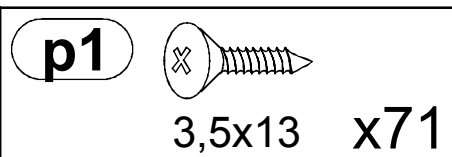
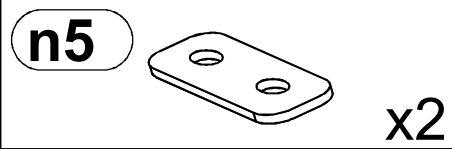


B1**B2****B3**

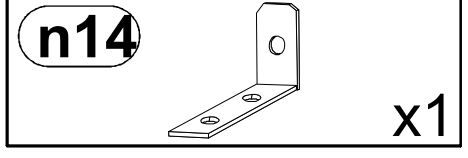
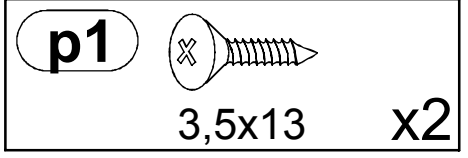
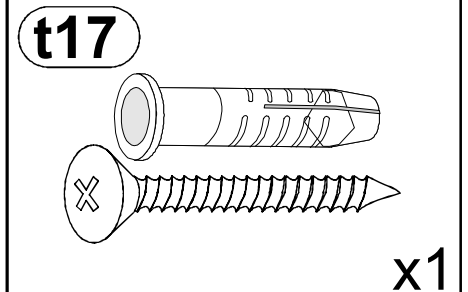
B4

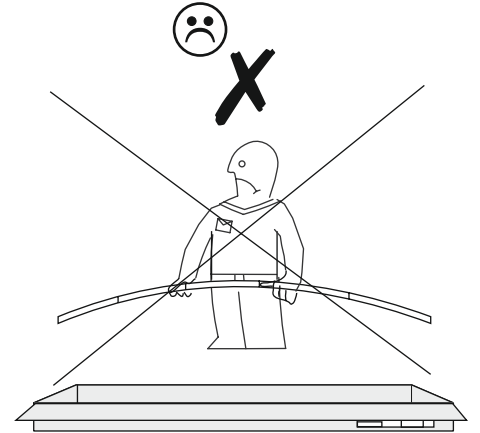
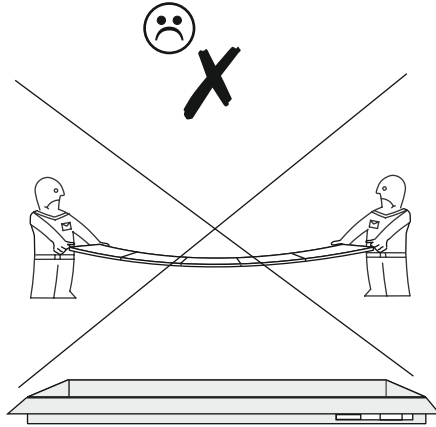
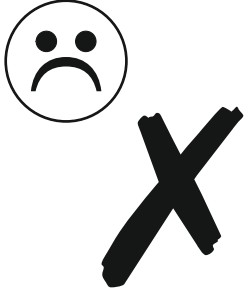


B5

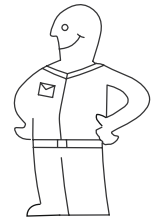
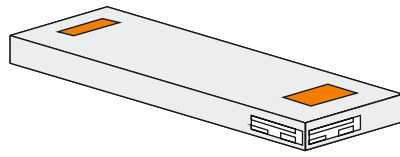


B6

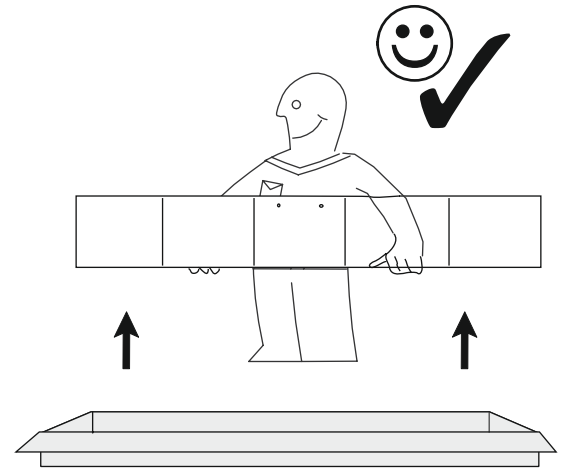
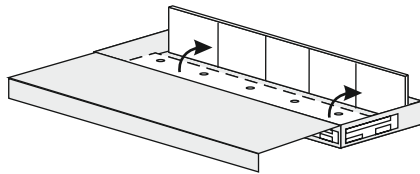




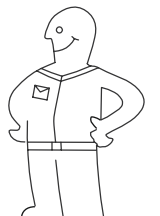
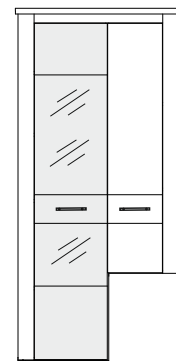
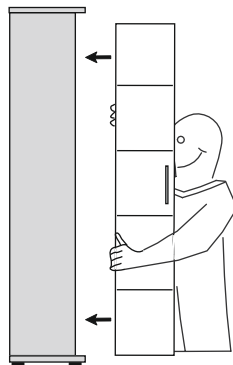
1



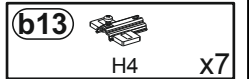
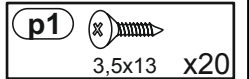
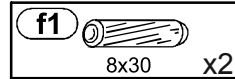
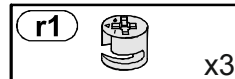
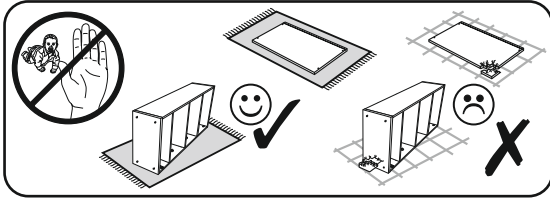
2



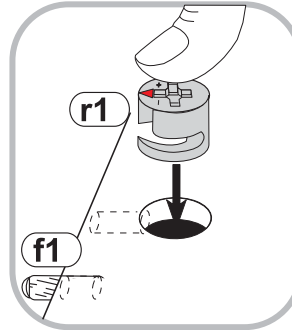
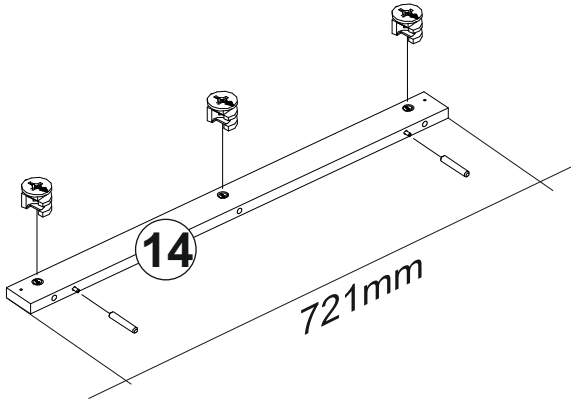
3



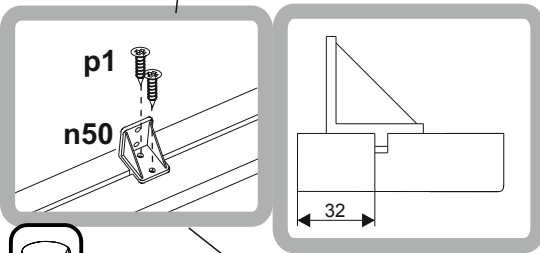
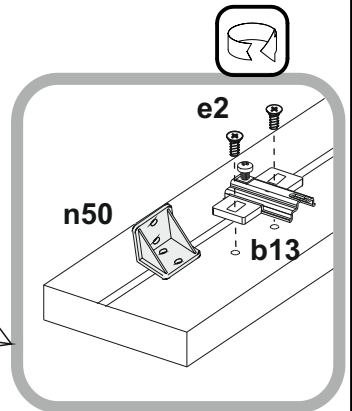
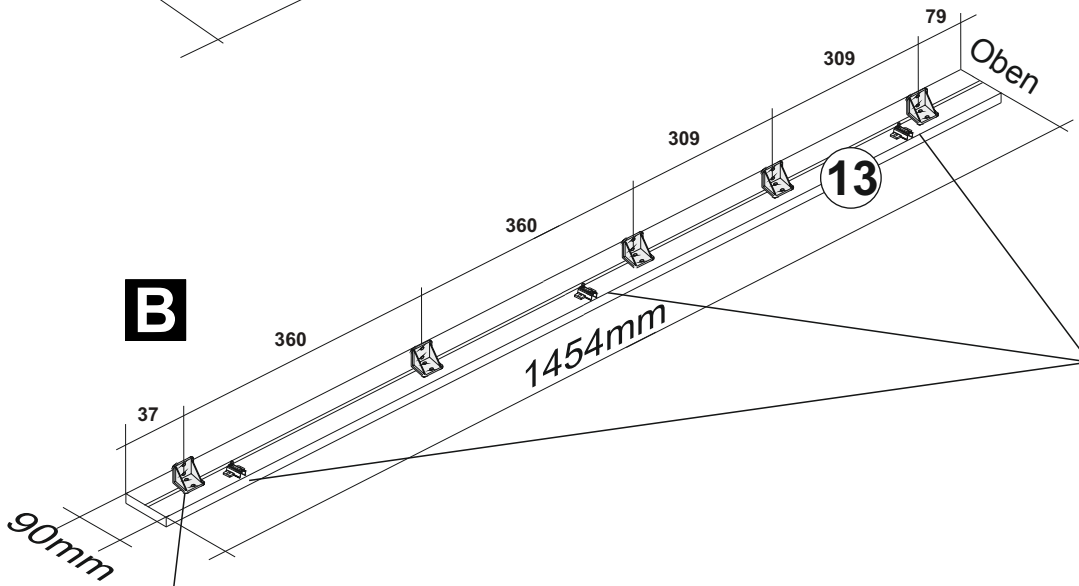
1



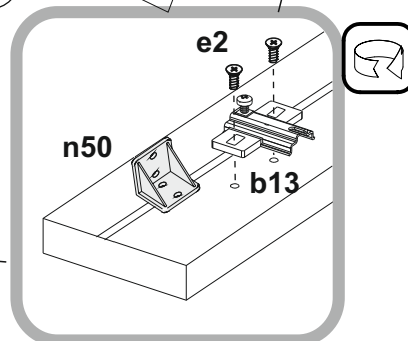
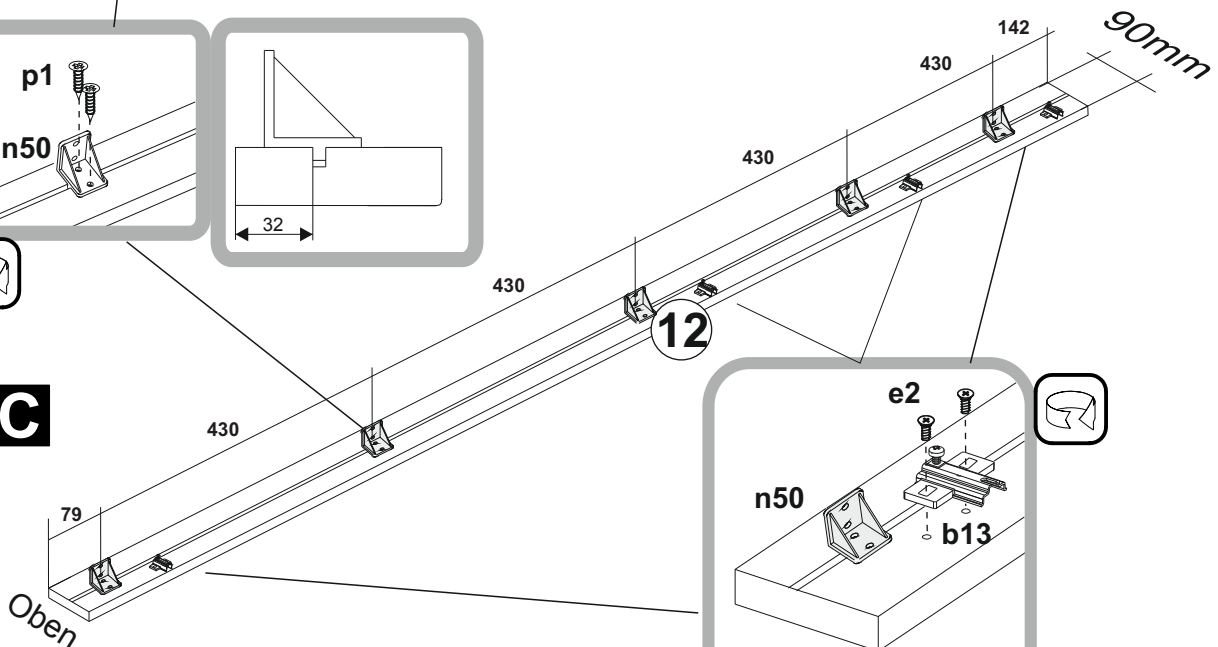
A



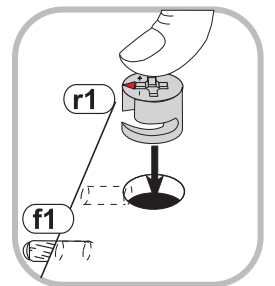
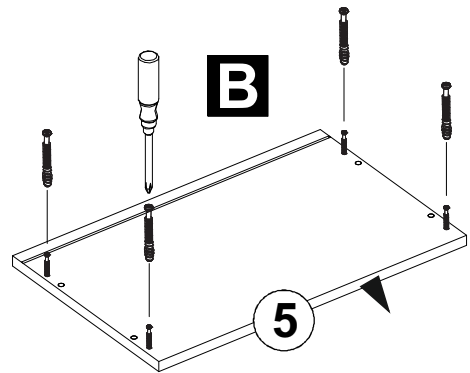
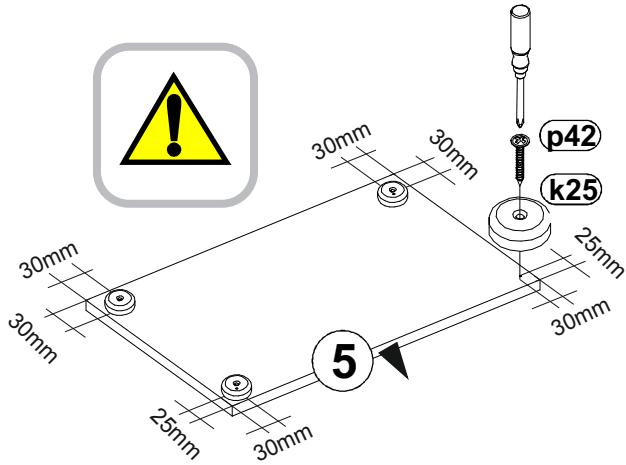
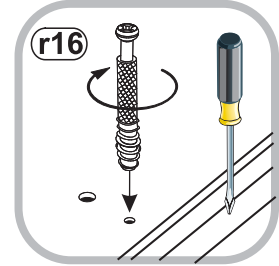
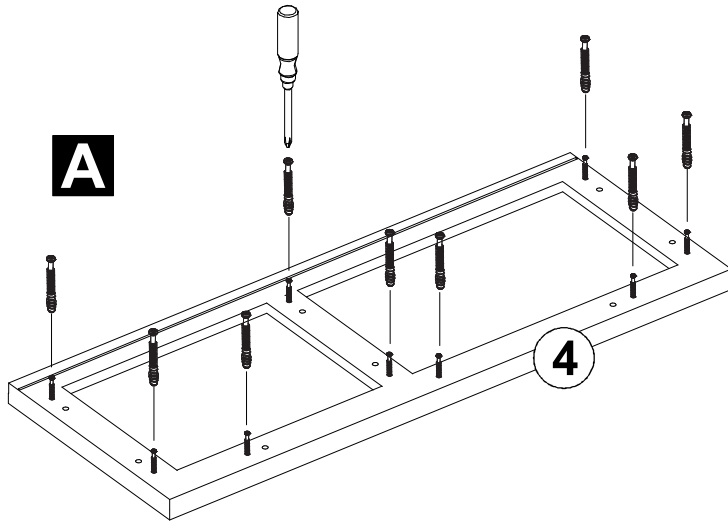
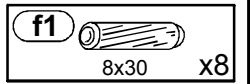
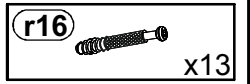
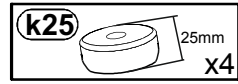
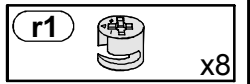
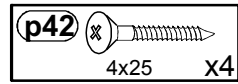
B



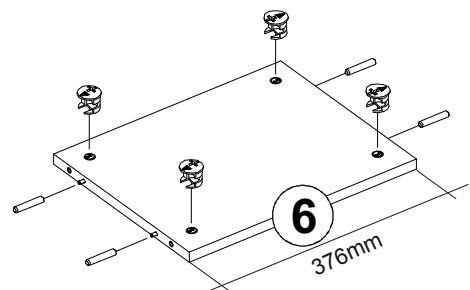
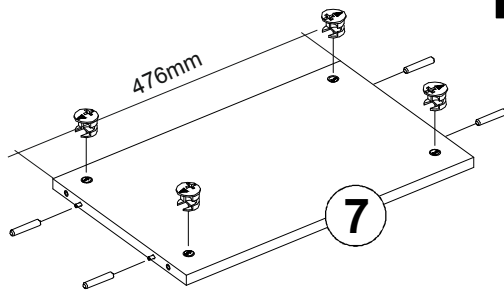
C



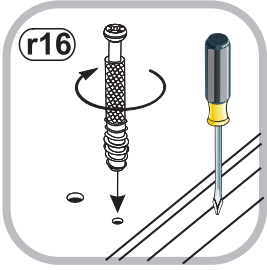
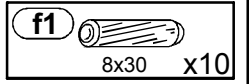
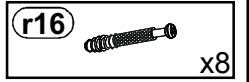
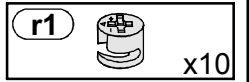
2



C



3



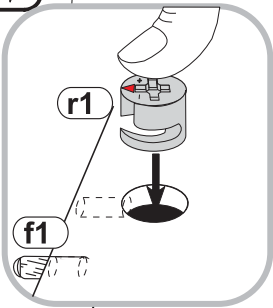
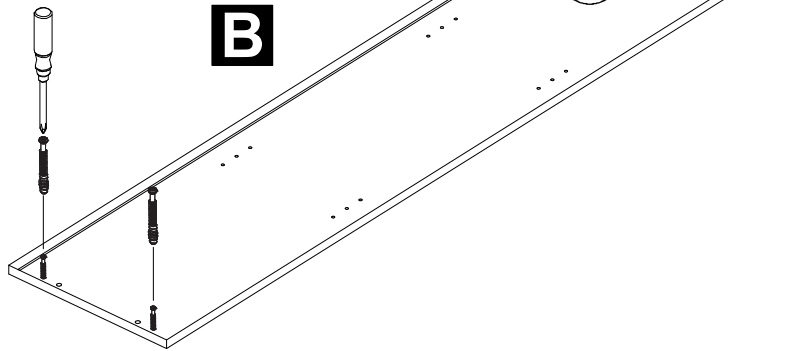
A

1



B

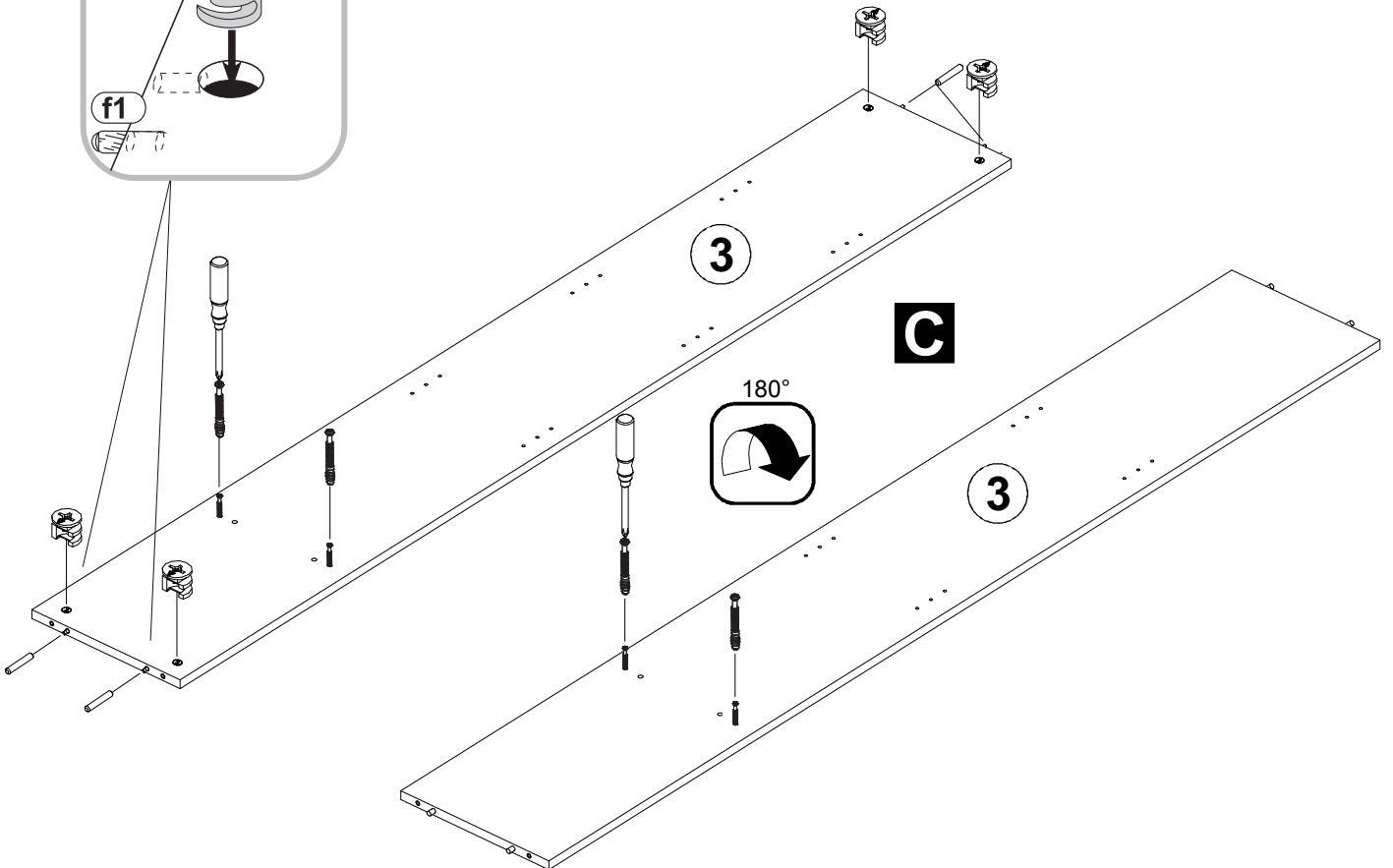
2



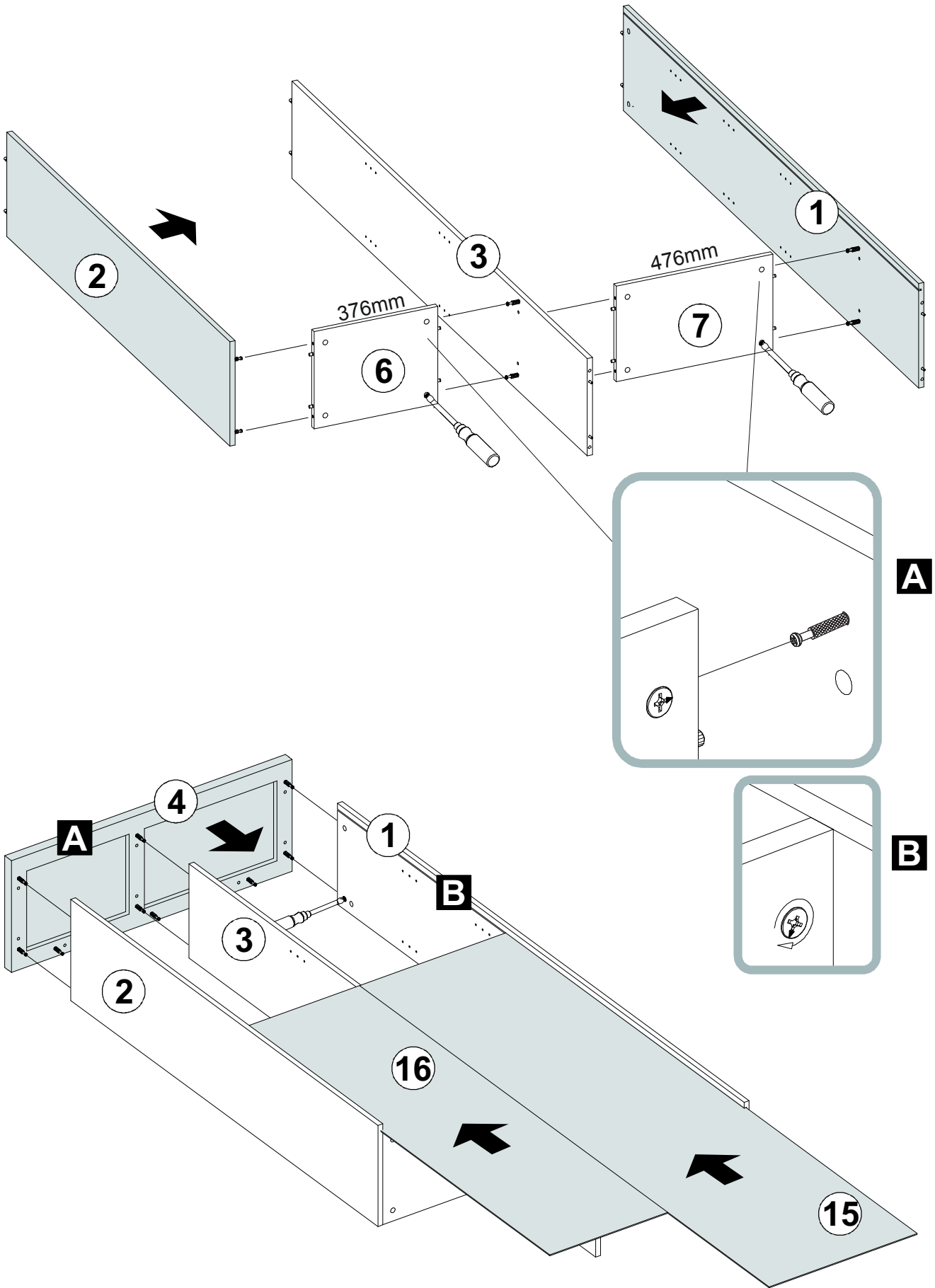
3

C

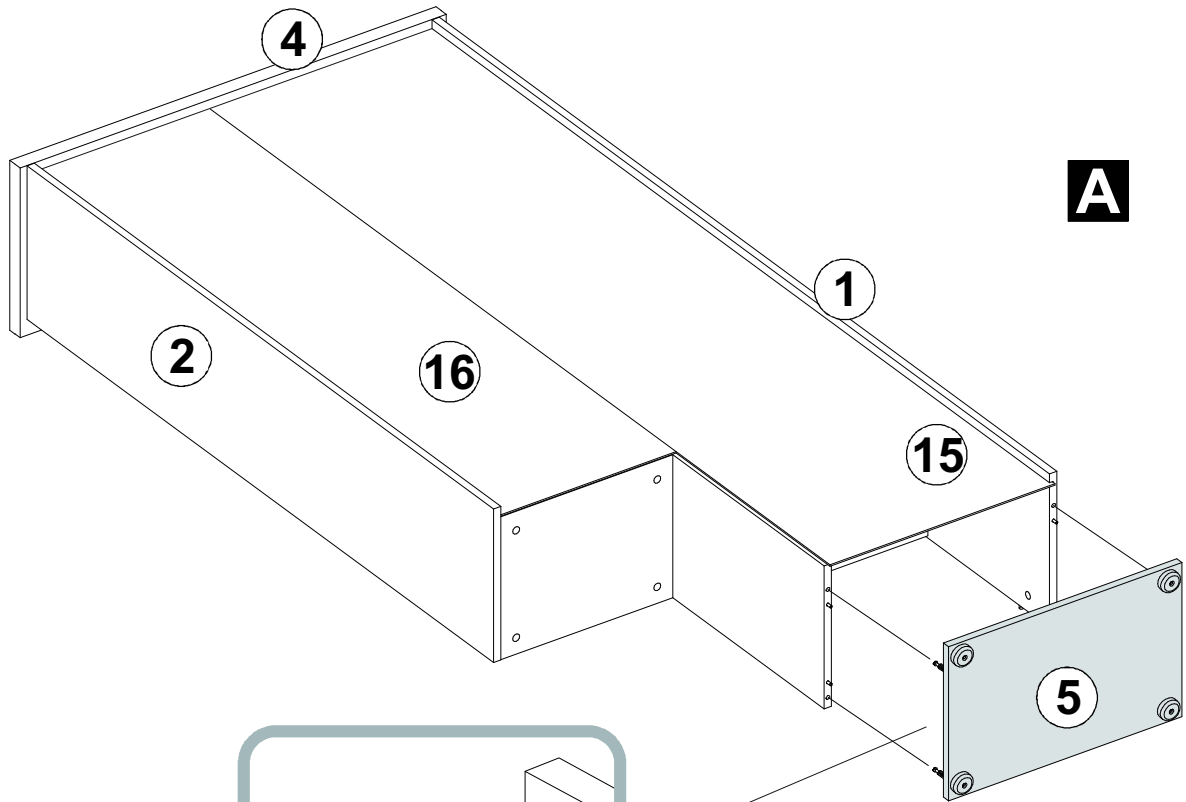
3



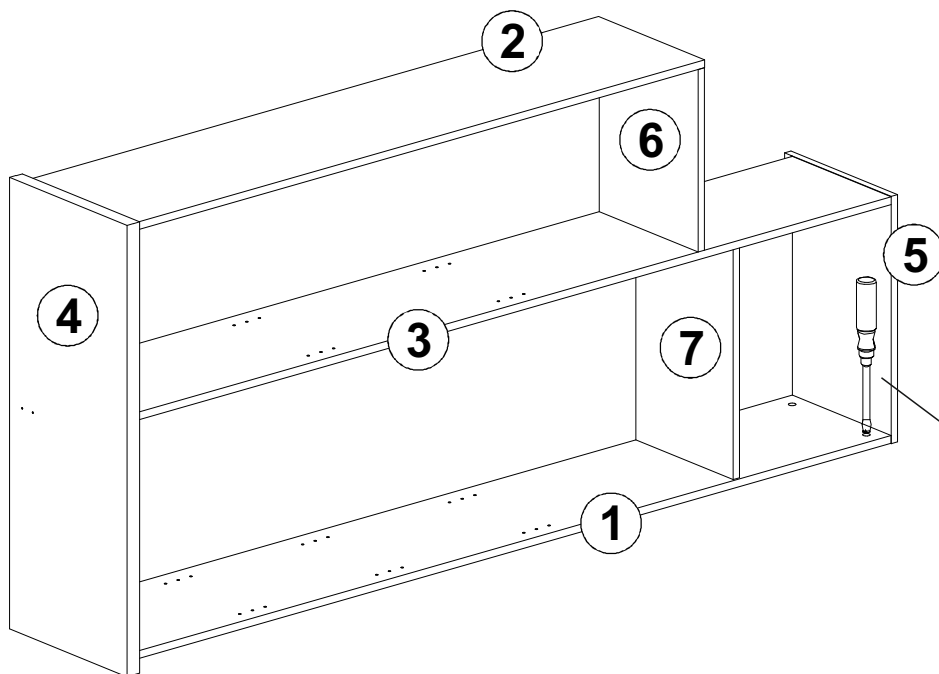
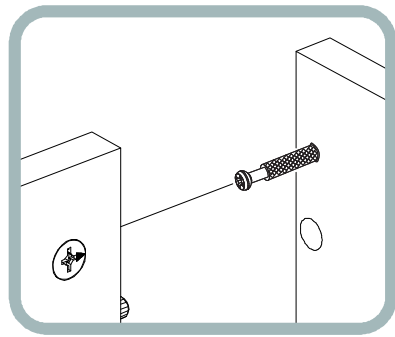
4



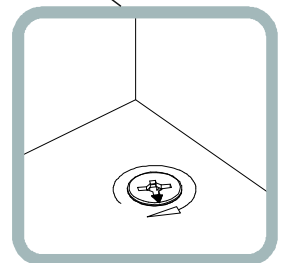
5



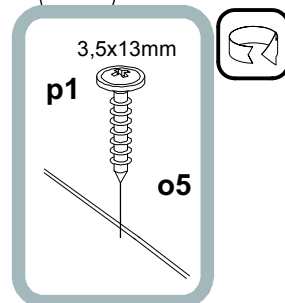
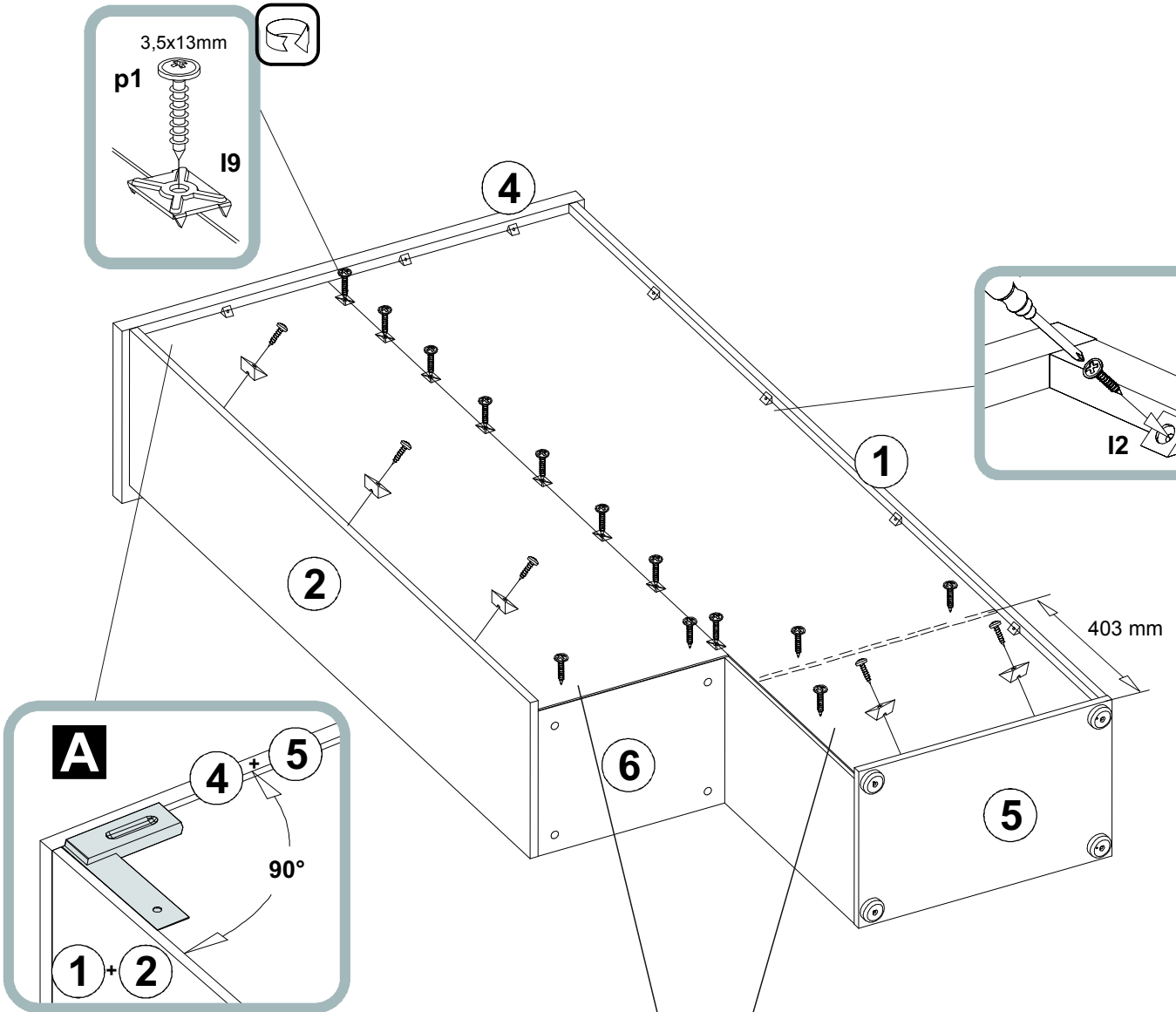
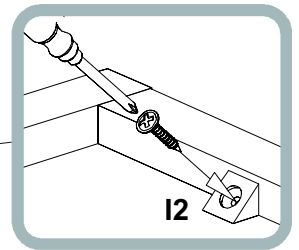
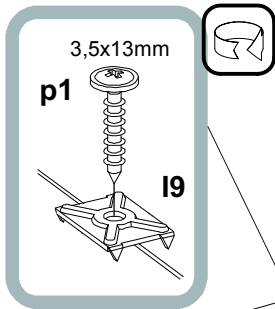
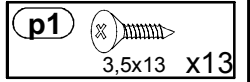
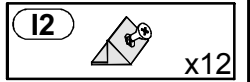
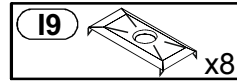
A



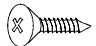
B

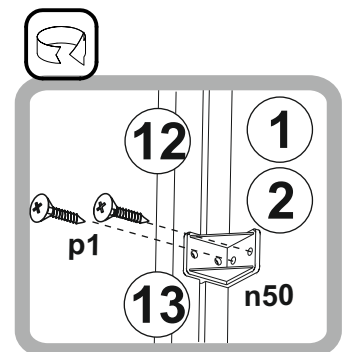
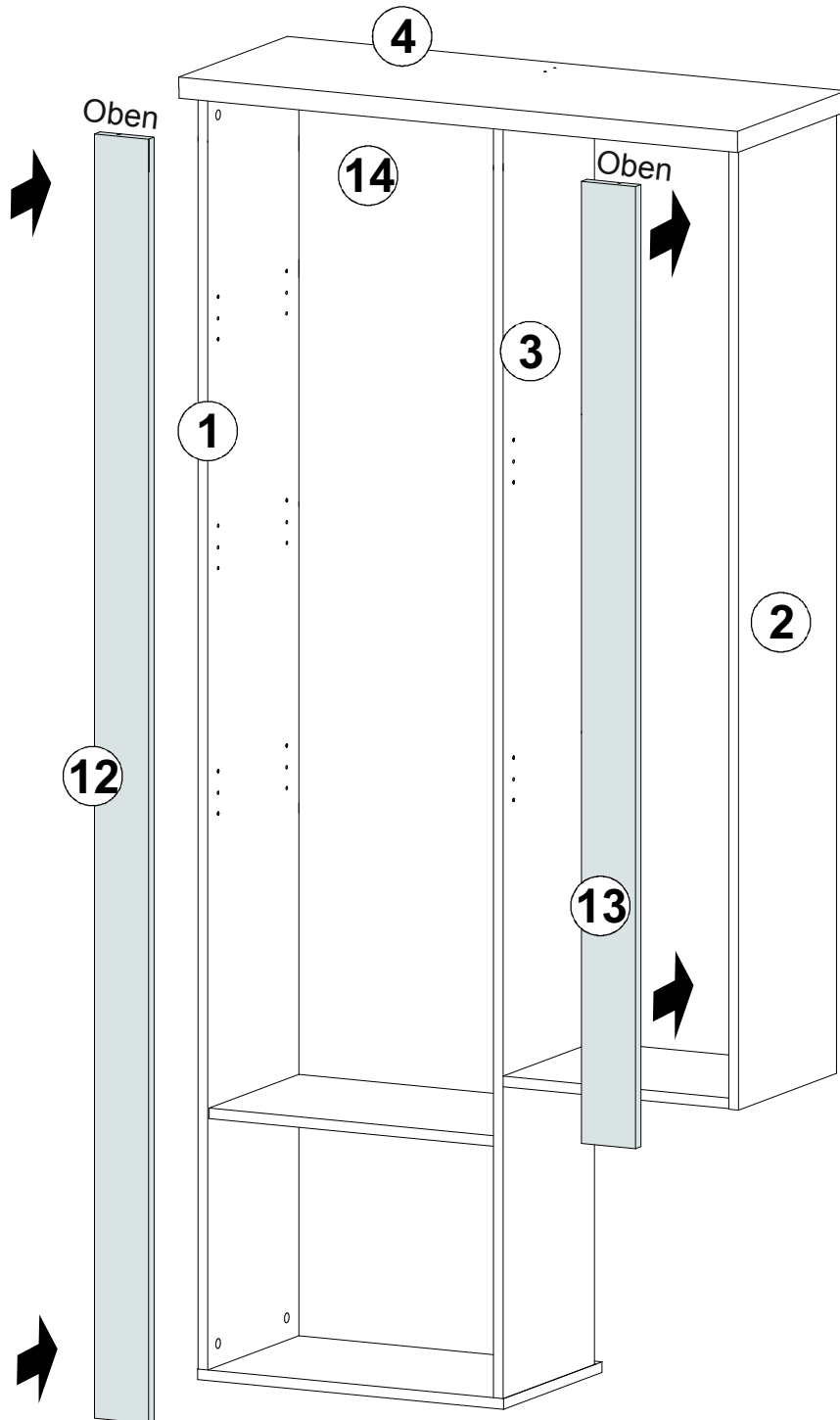
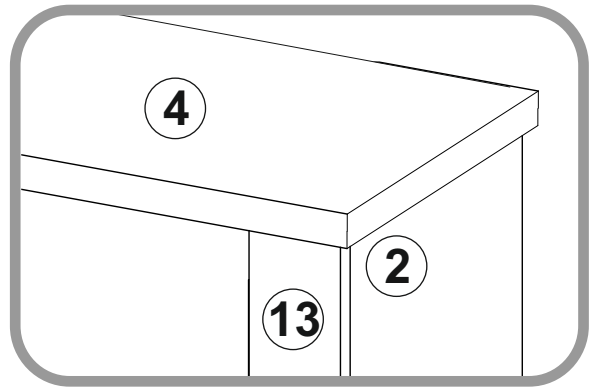


6

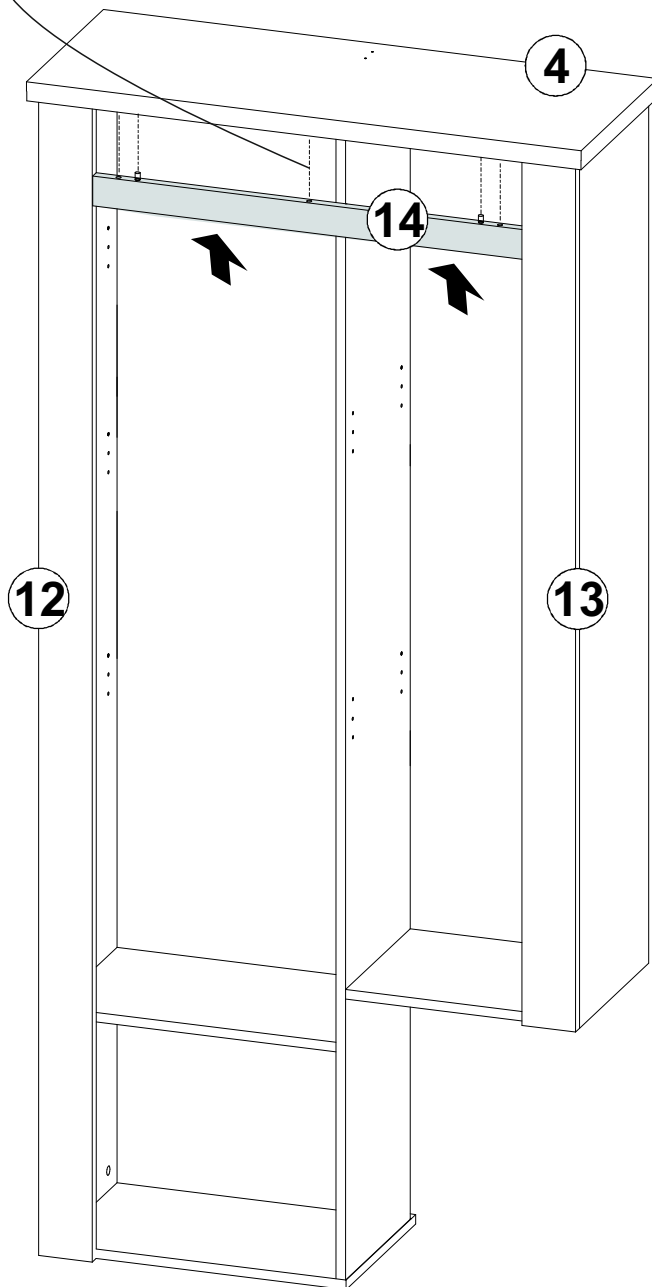
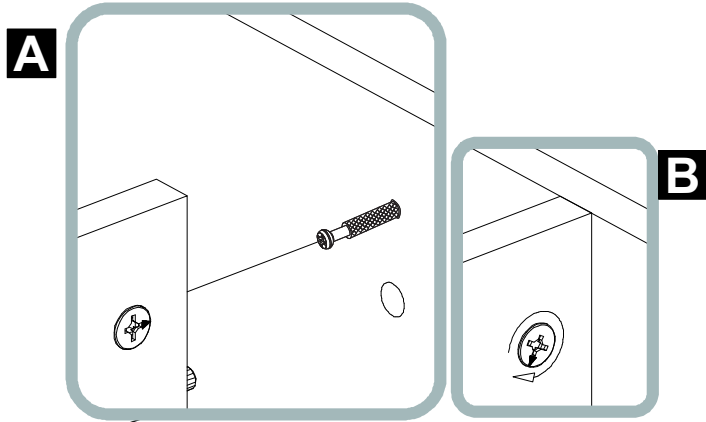


7

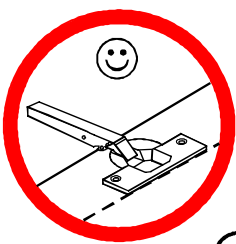
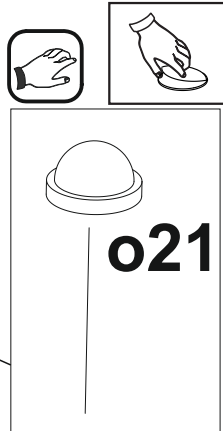
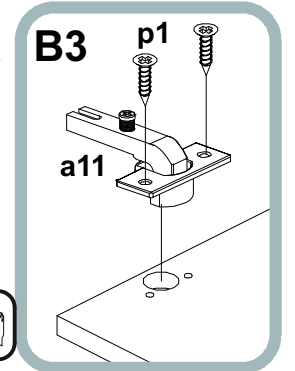
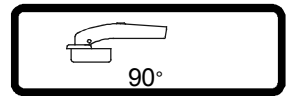
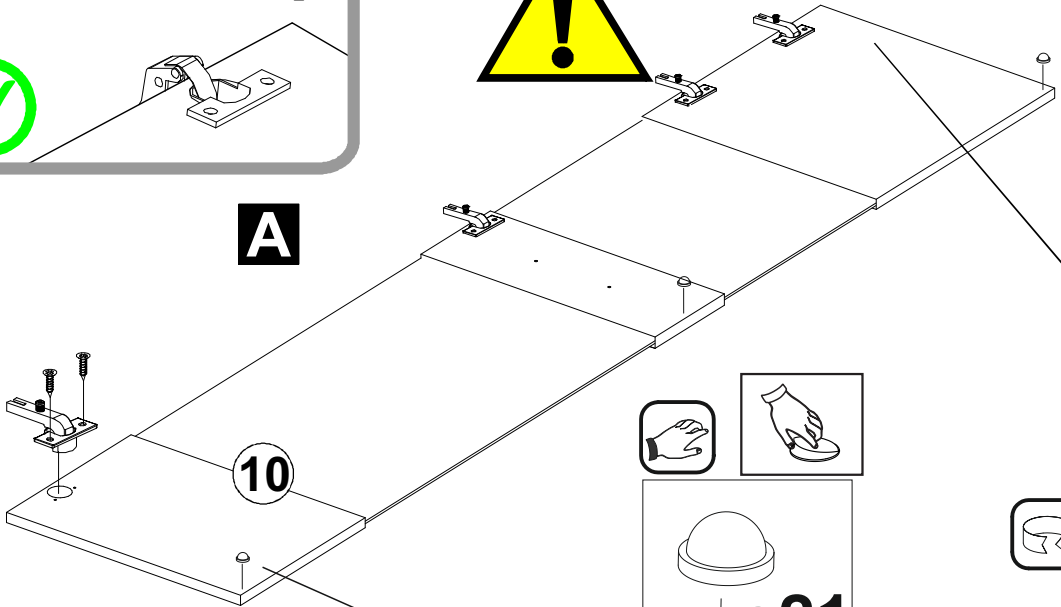
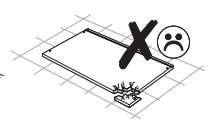
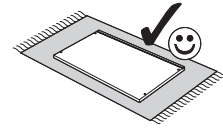
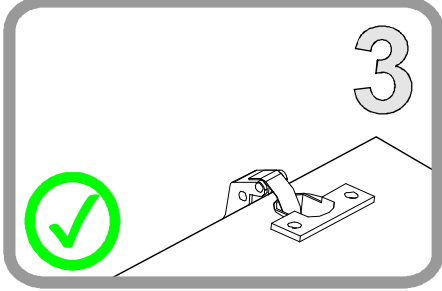
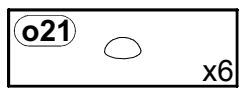
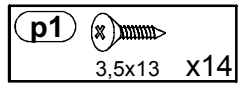
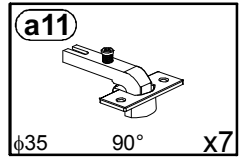
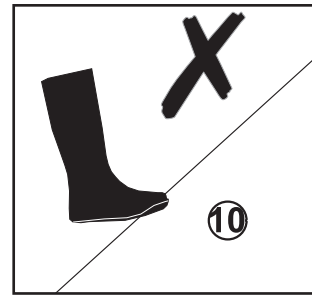
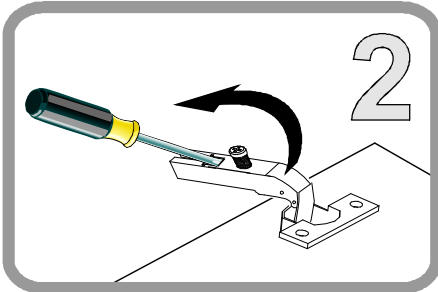
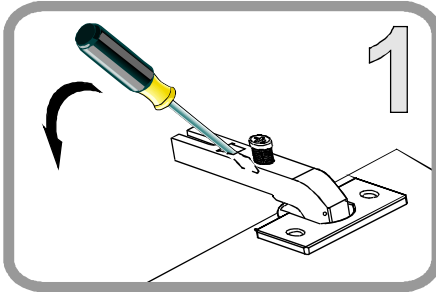
p1  3,5x13 x26



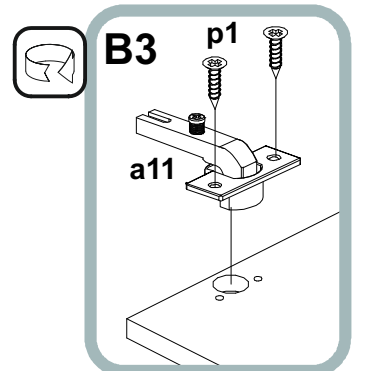
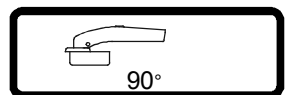
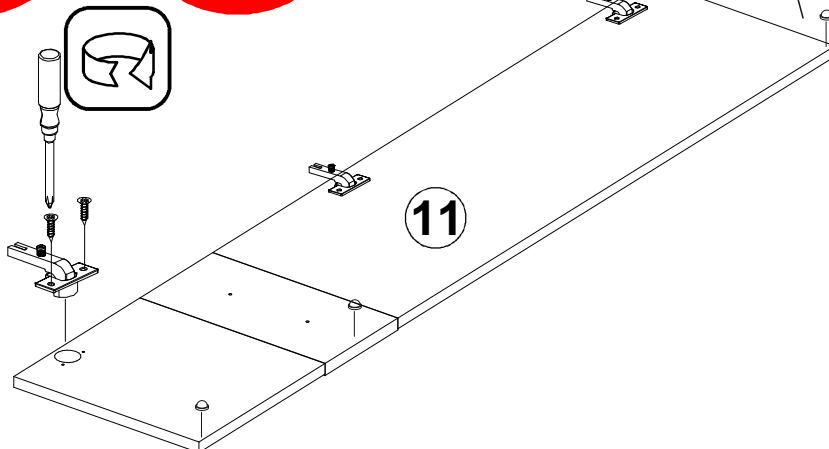
8



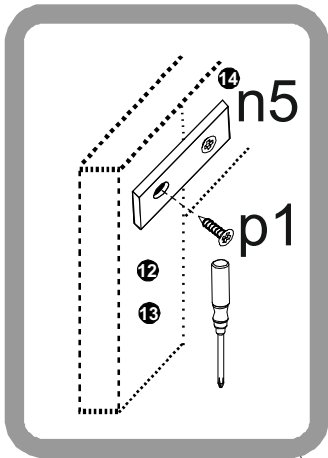
9

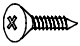



B

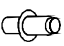


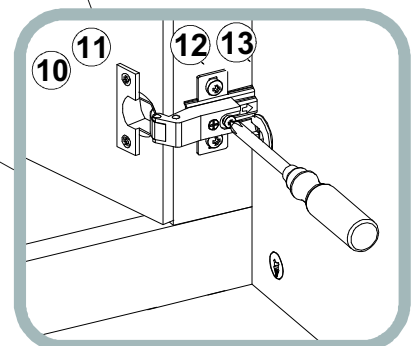
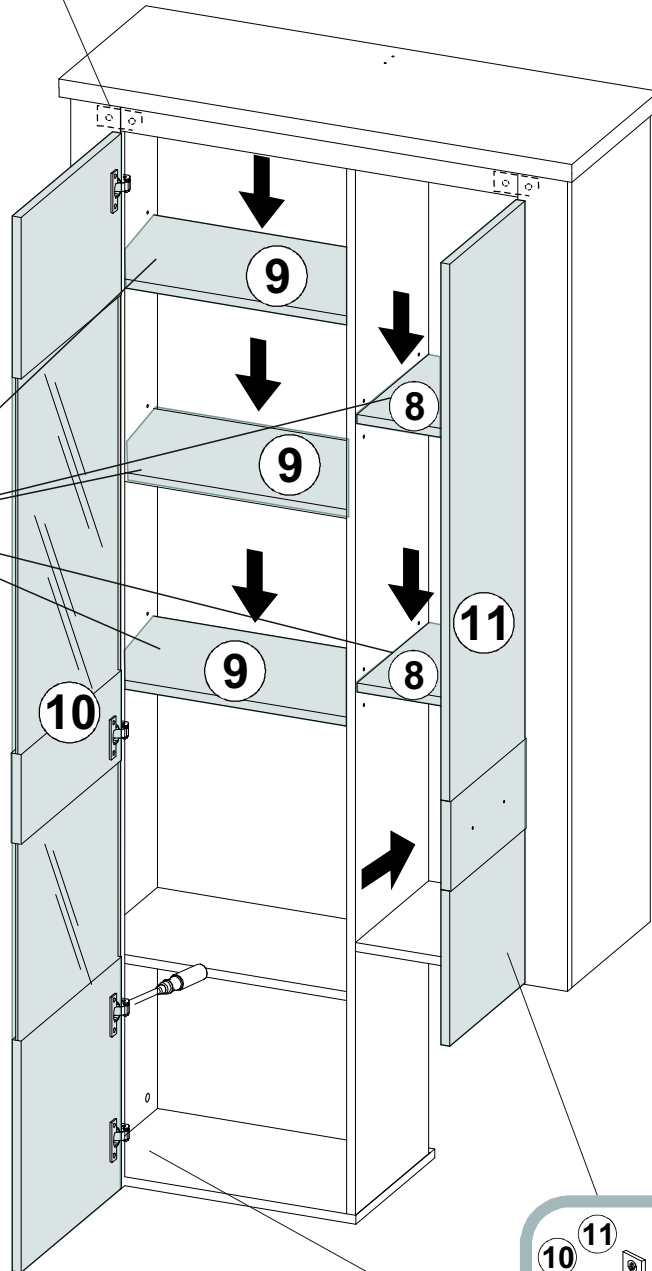
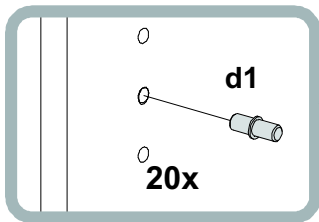
10



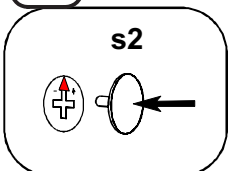
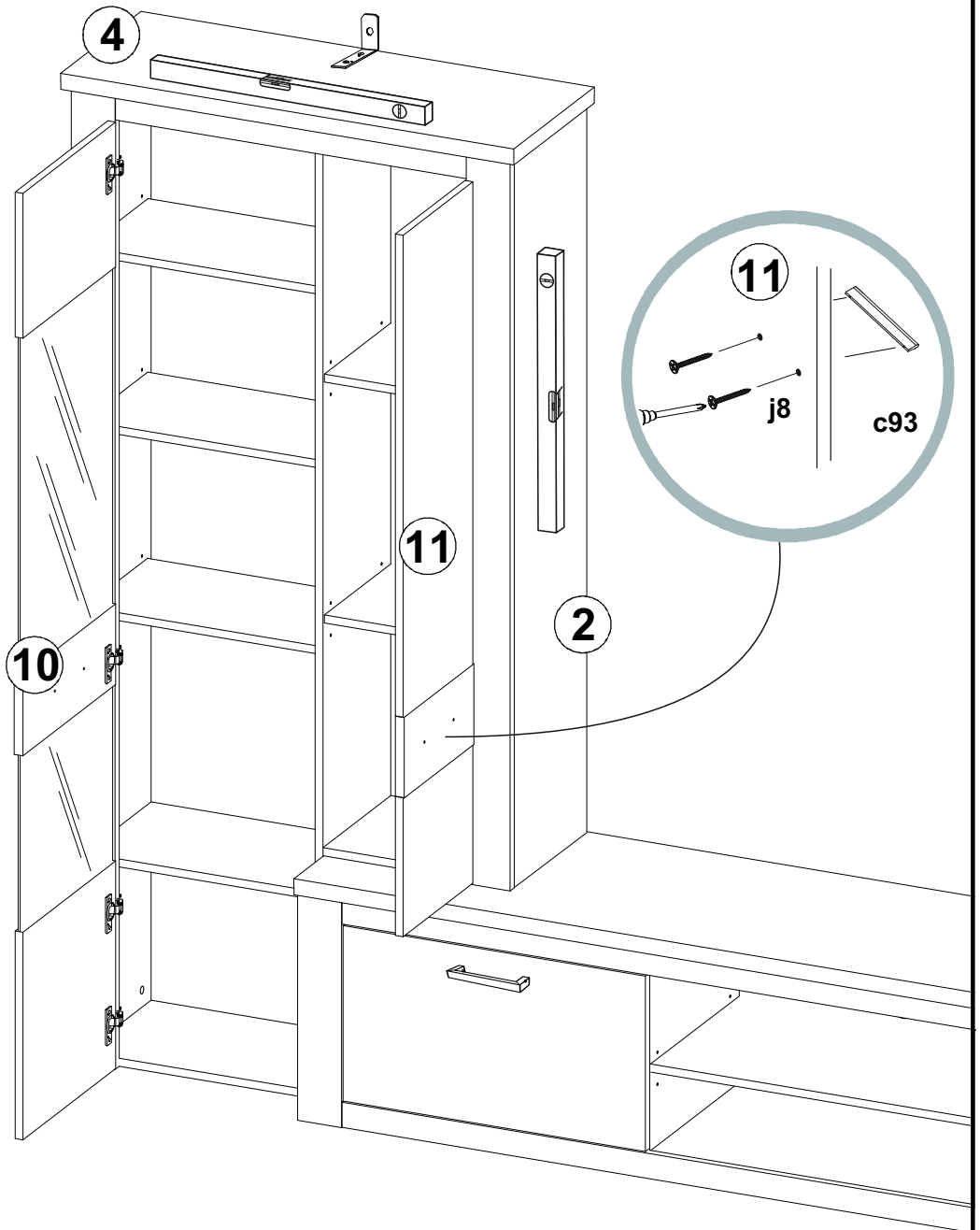
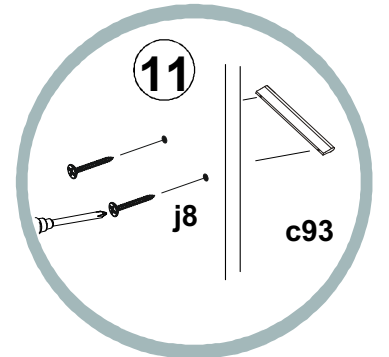
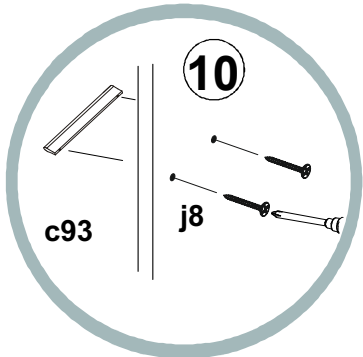
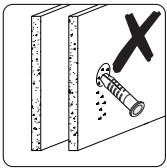
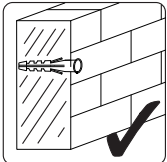
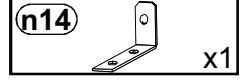
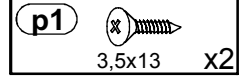
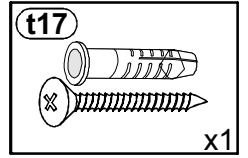
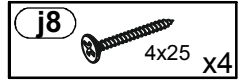
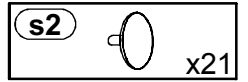
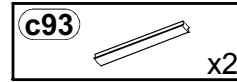
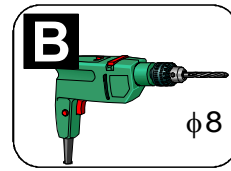
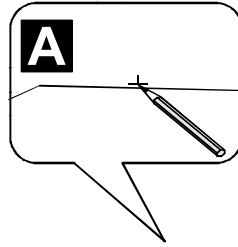
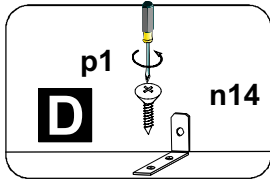
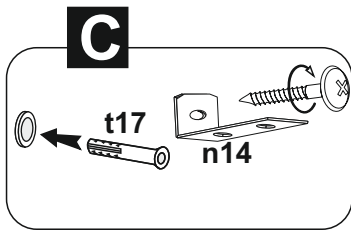
p1  3,5x13 x4

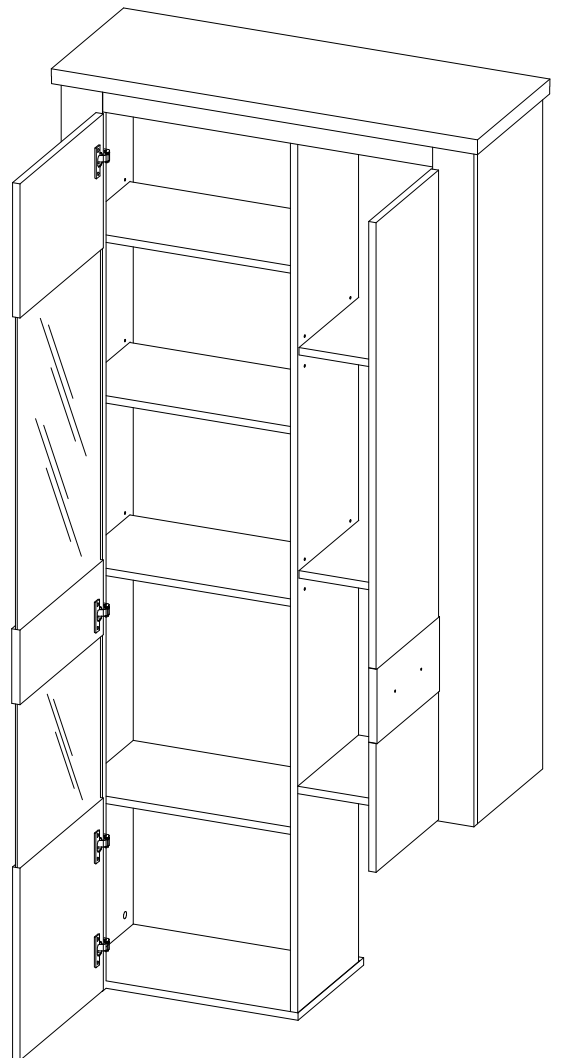
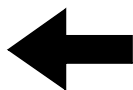
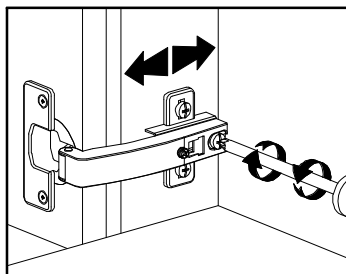
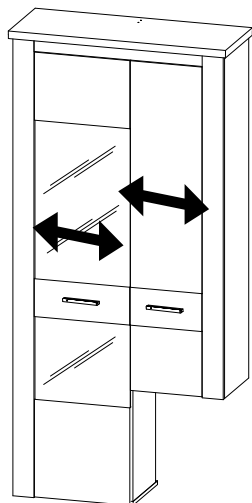
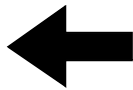
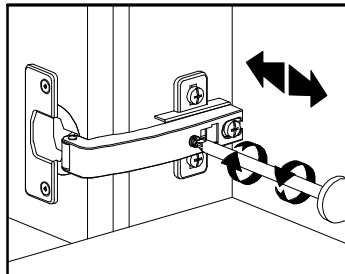
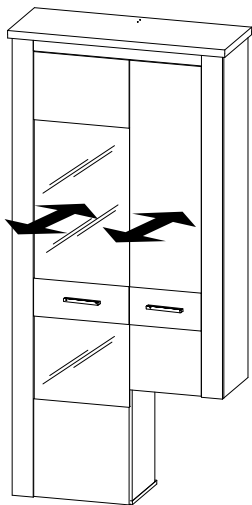
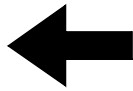
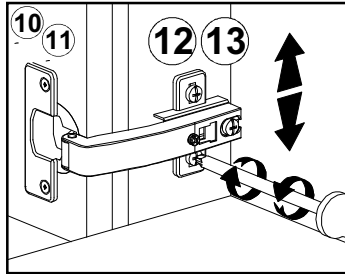
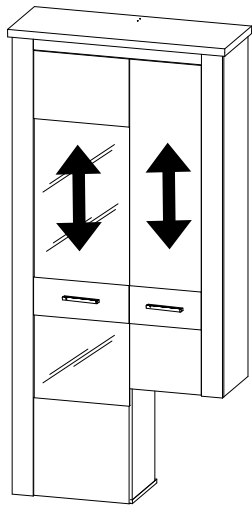
n5  x2

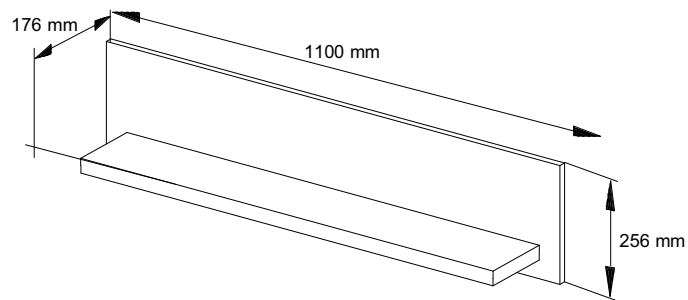
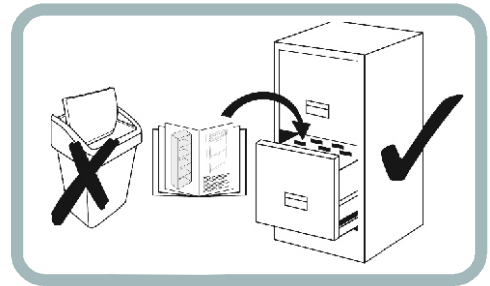
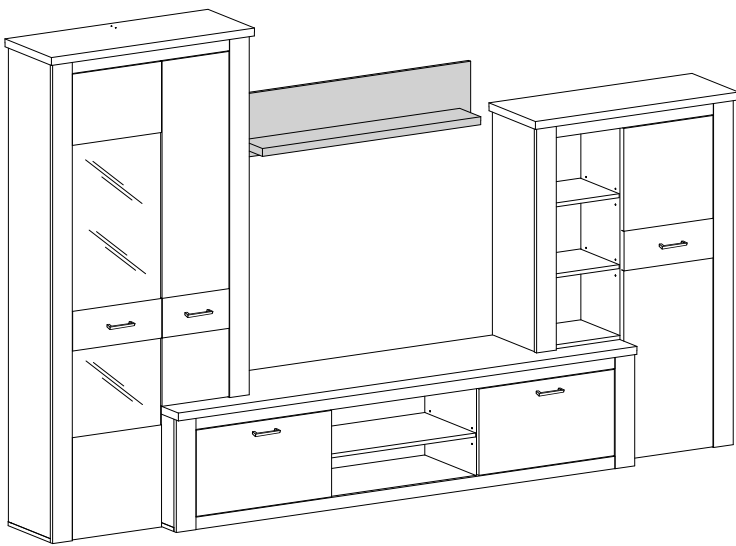
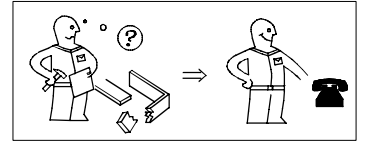
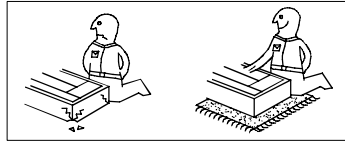
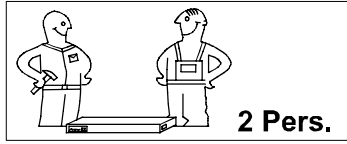
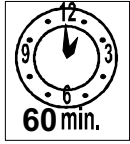
d1  x20



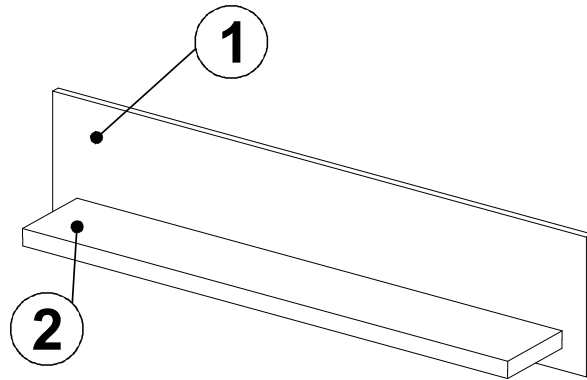
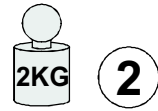
11







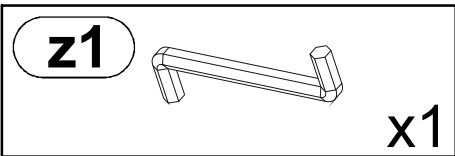
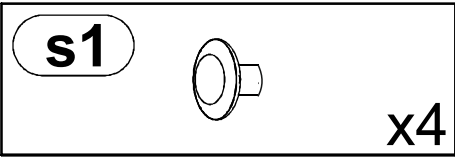
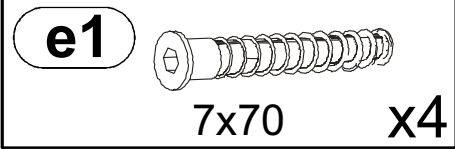
max.



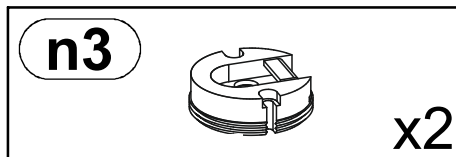
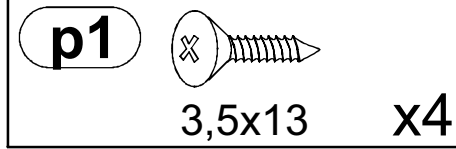
C 1/1



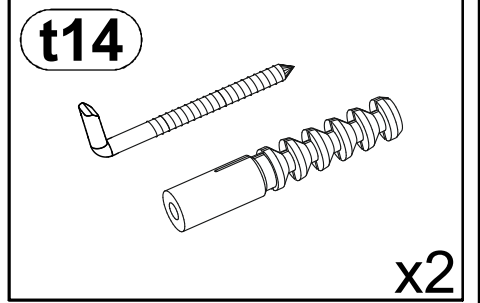
B17



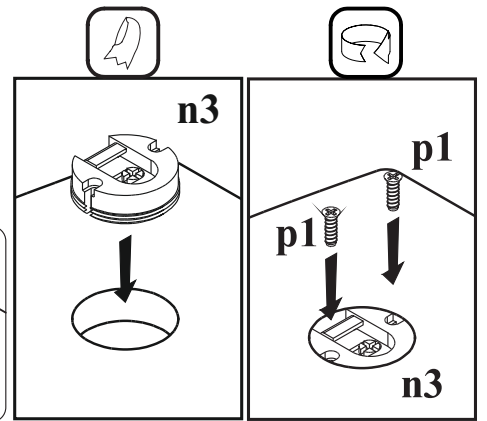
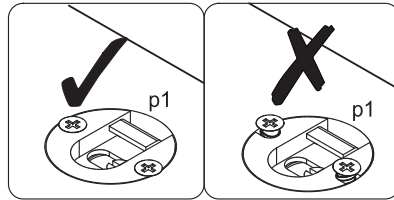
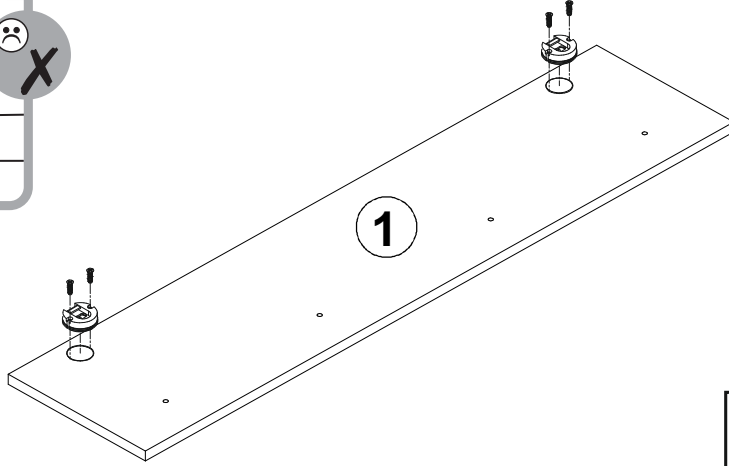
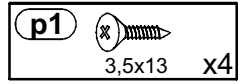
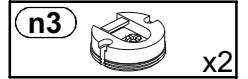
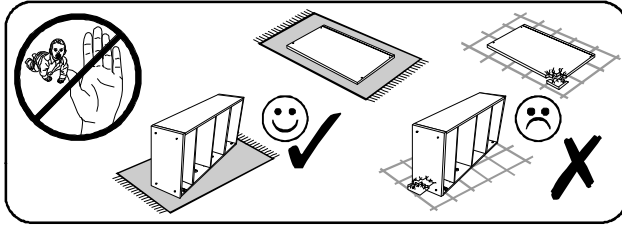
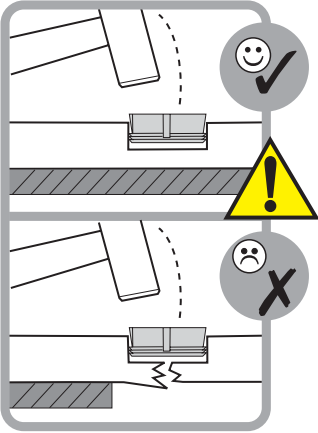
B18



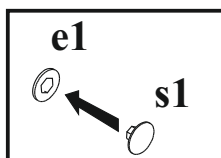
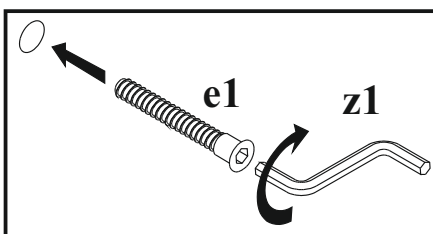
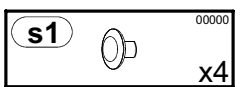
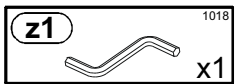
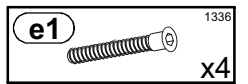
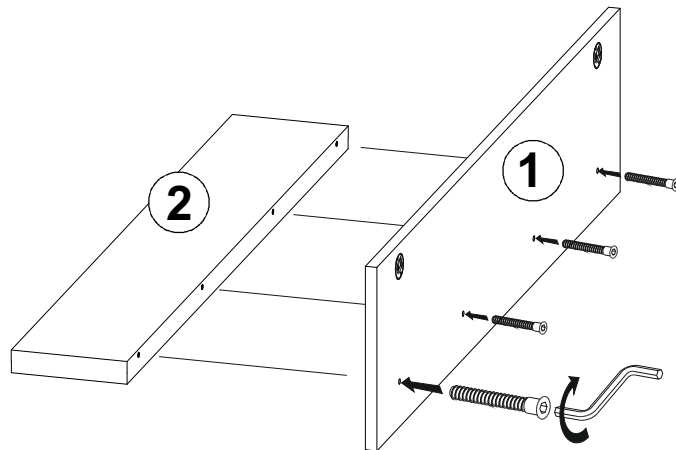
B19



1



2



3

