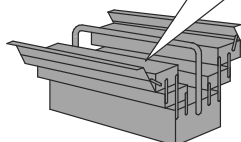
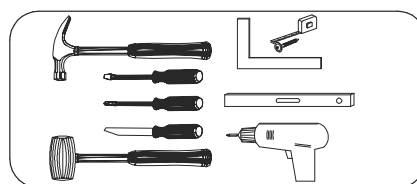
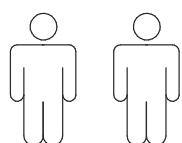
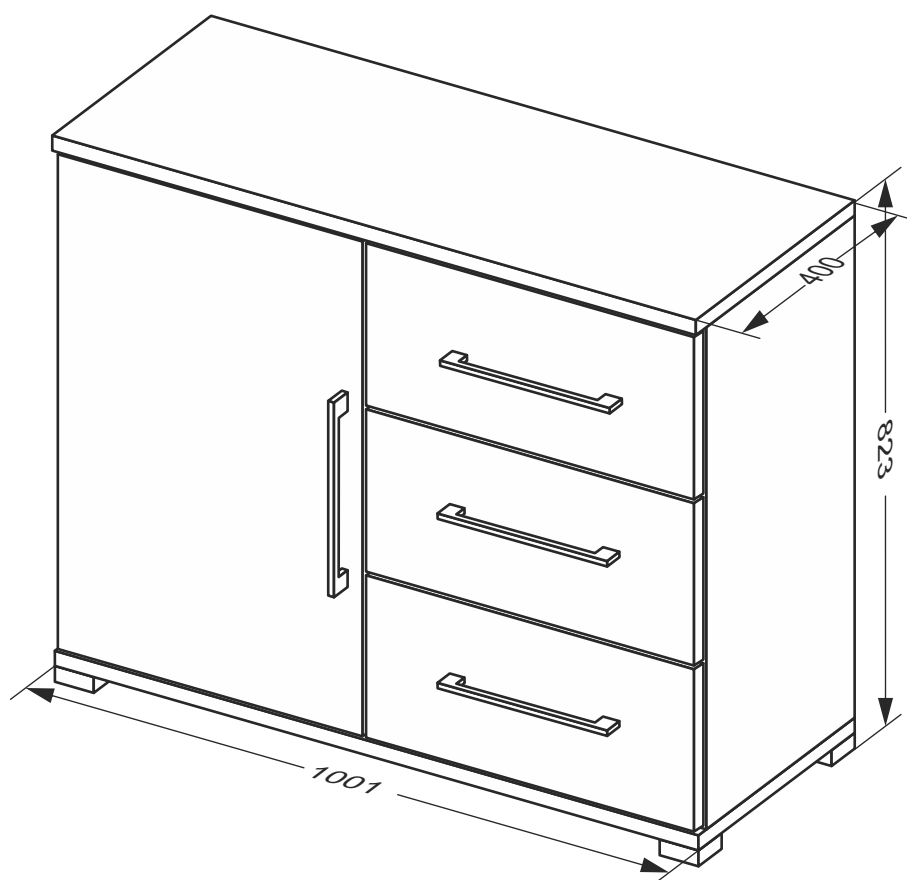


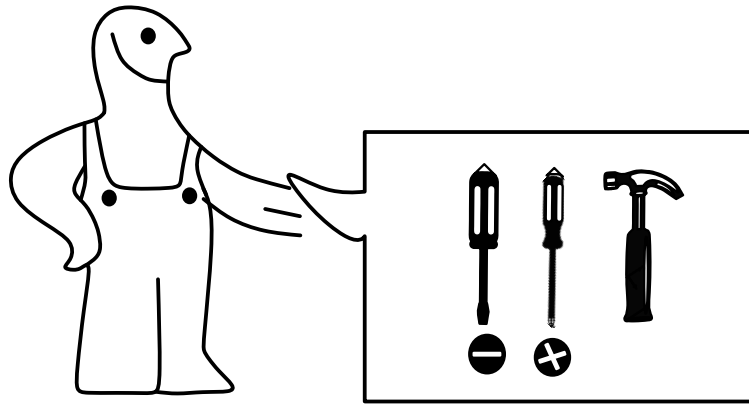


# BABYLON\_B17

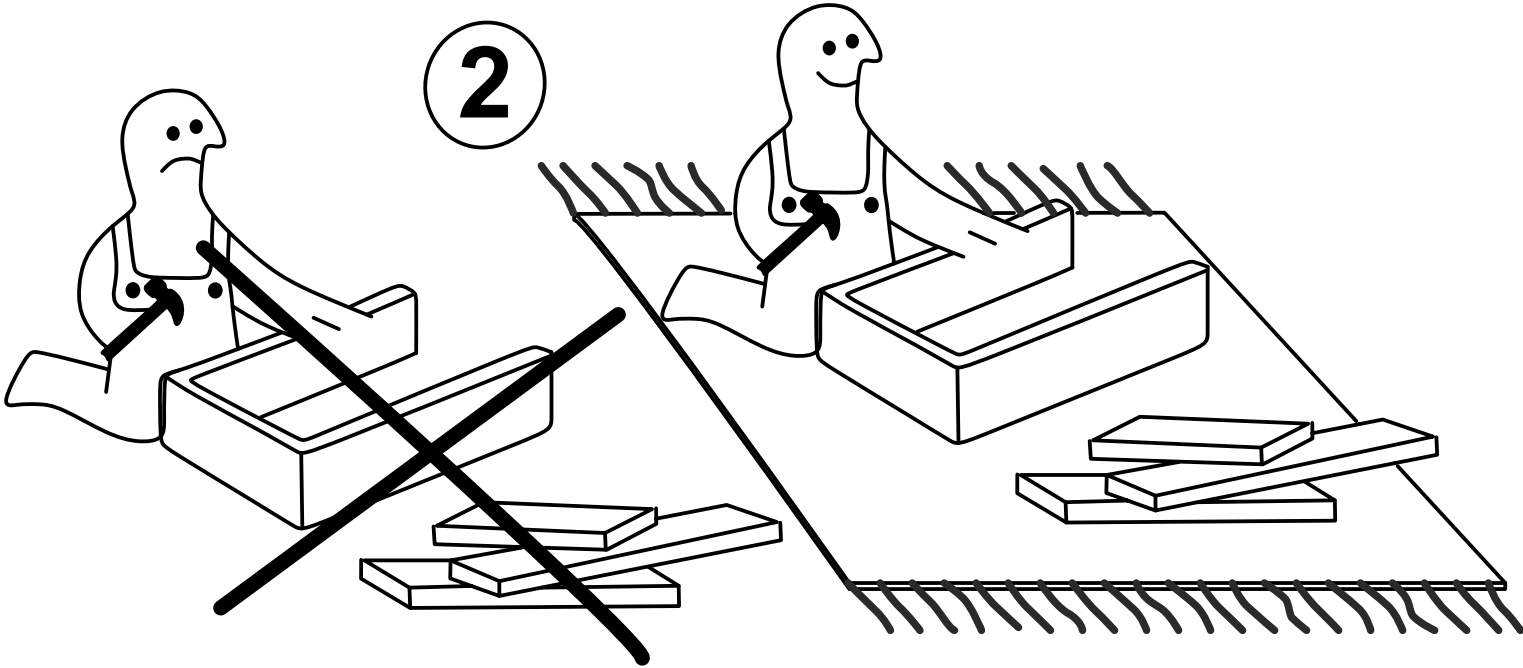
---



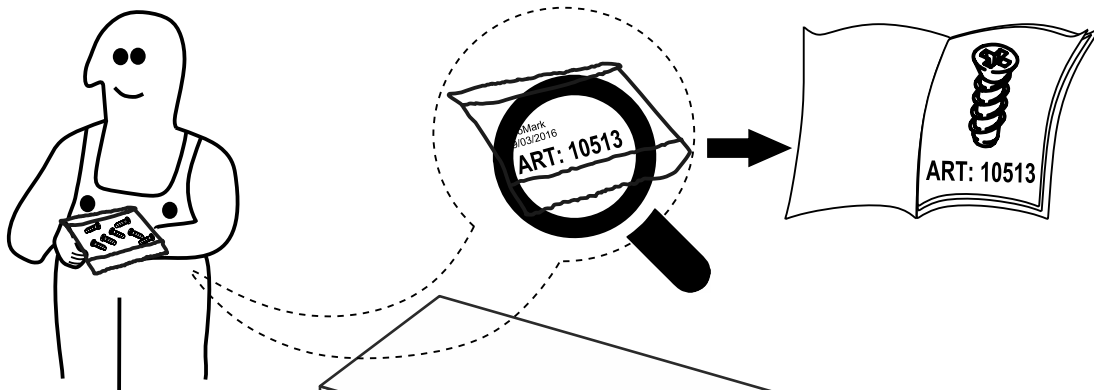
1



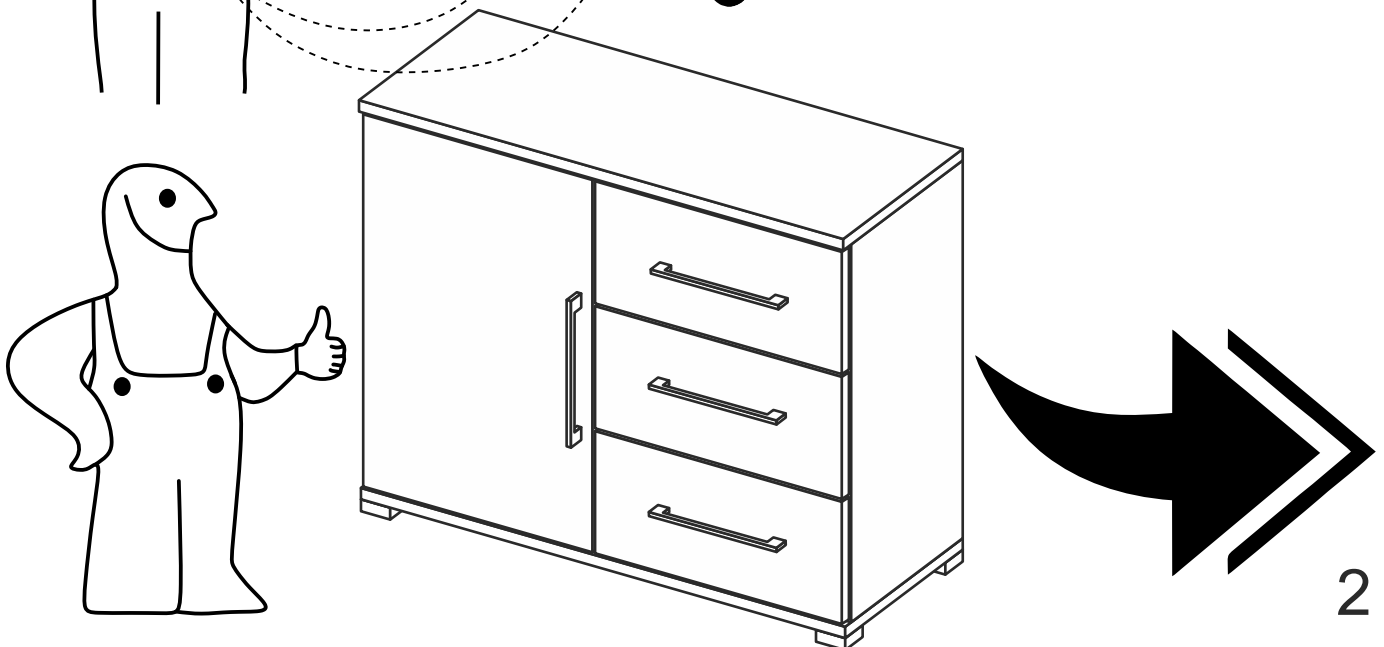
2

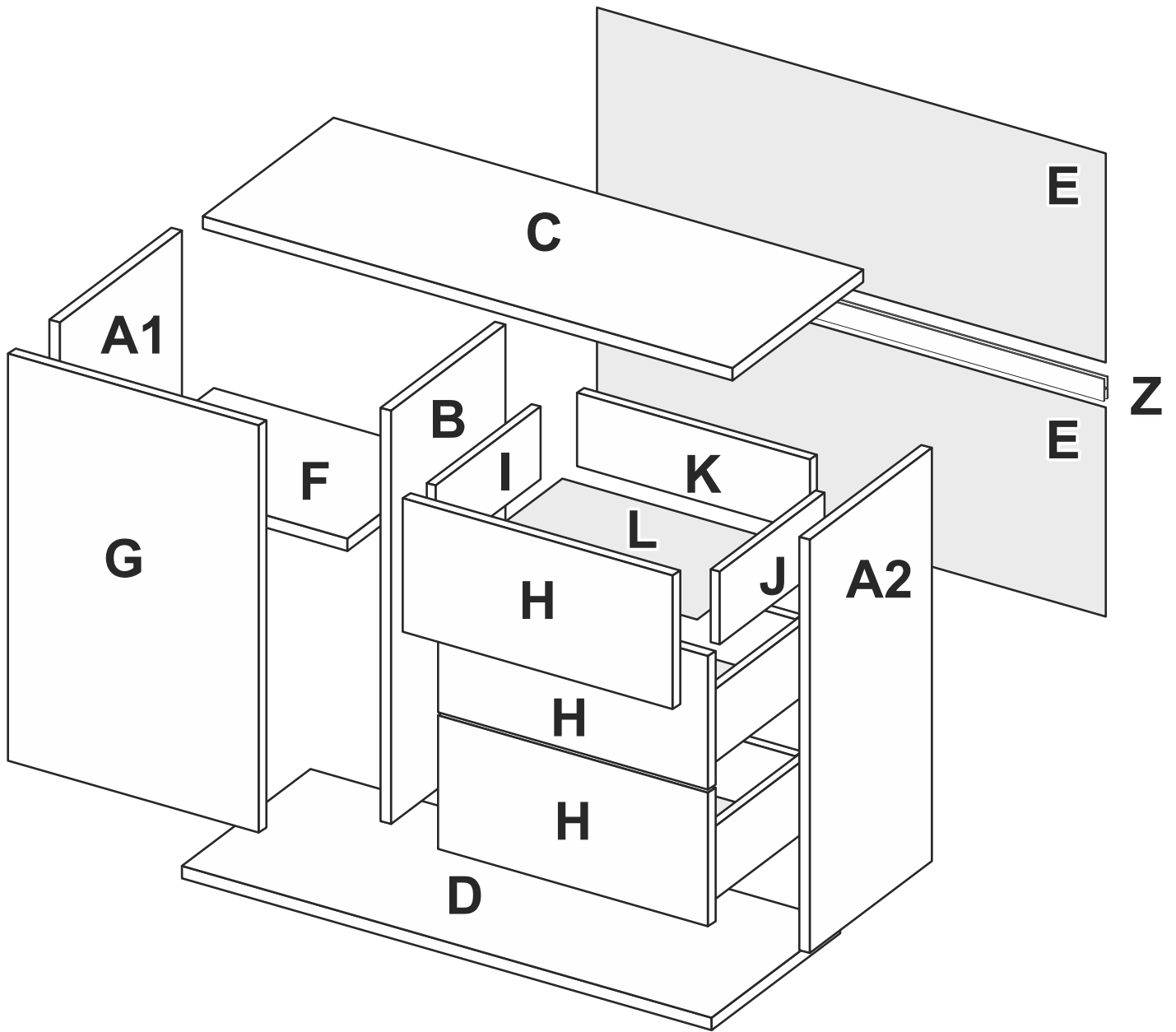


3

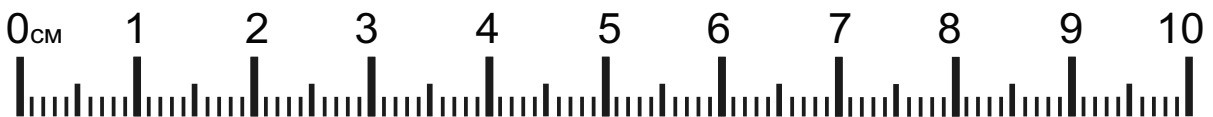
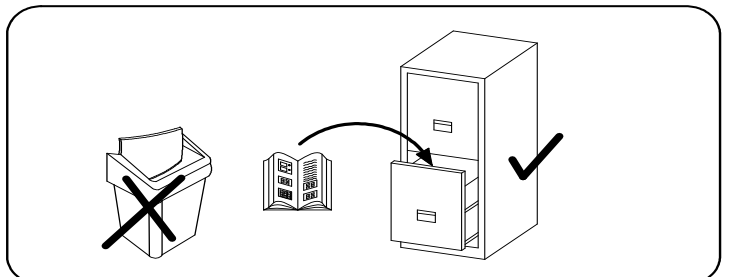
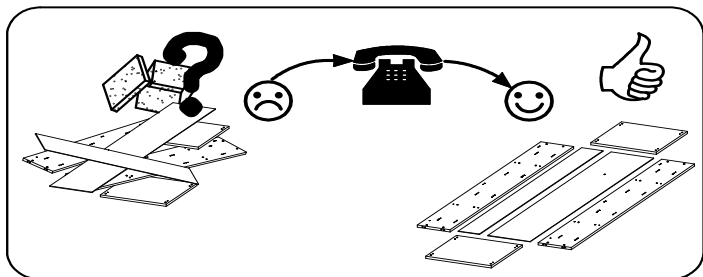
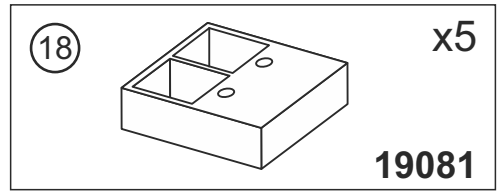
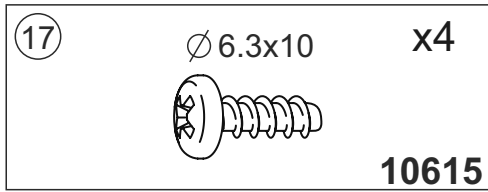
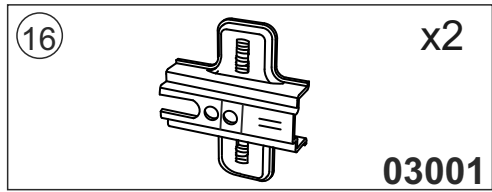
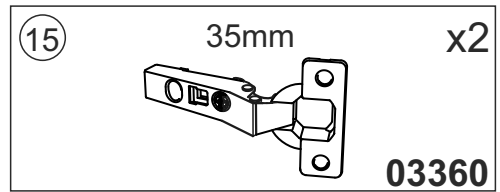
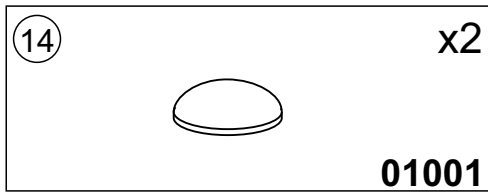
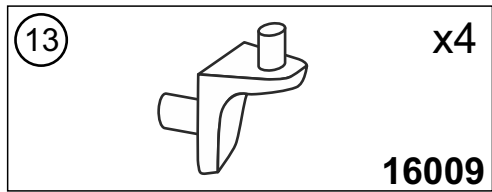
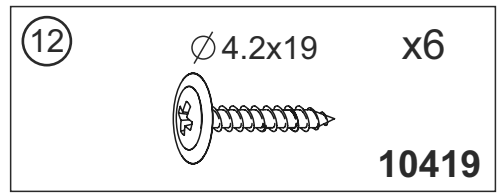
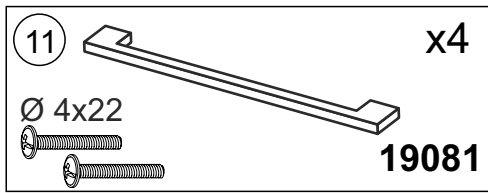
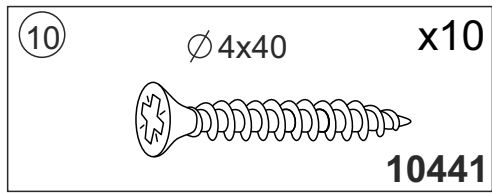
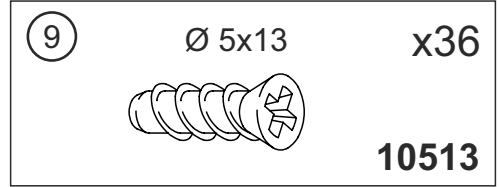
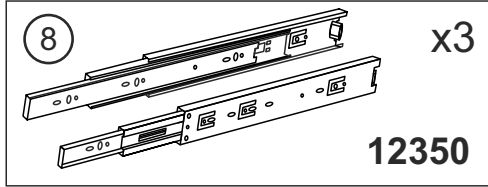
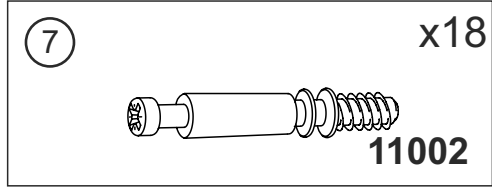
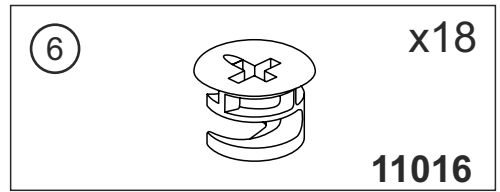
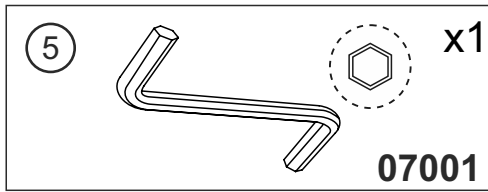
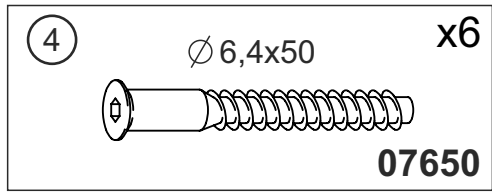
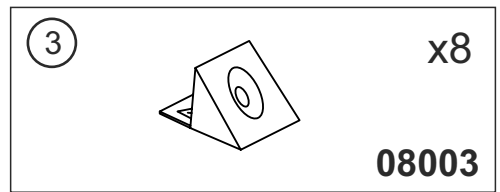
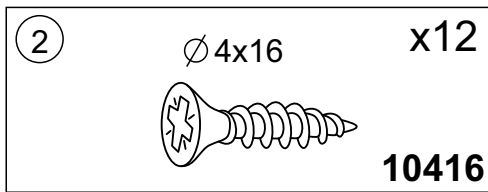
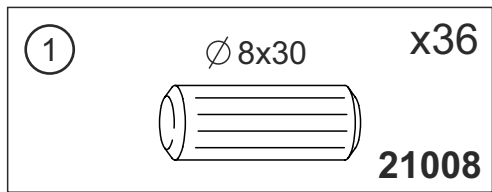


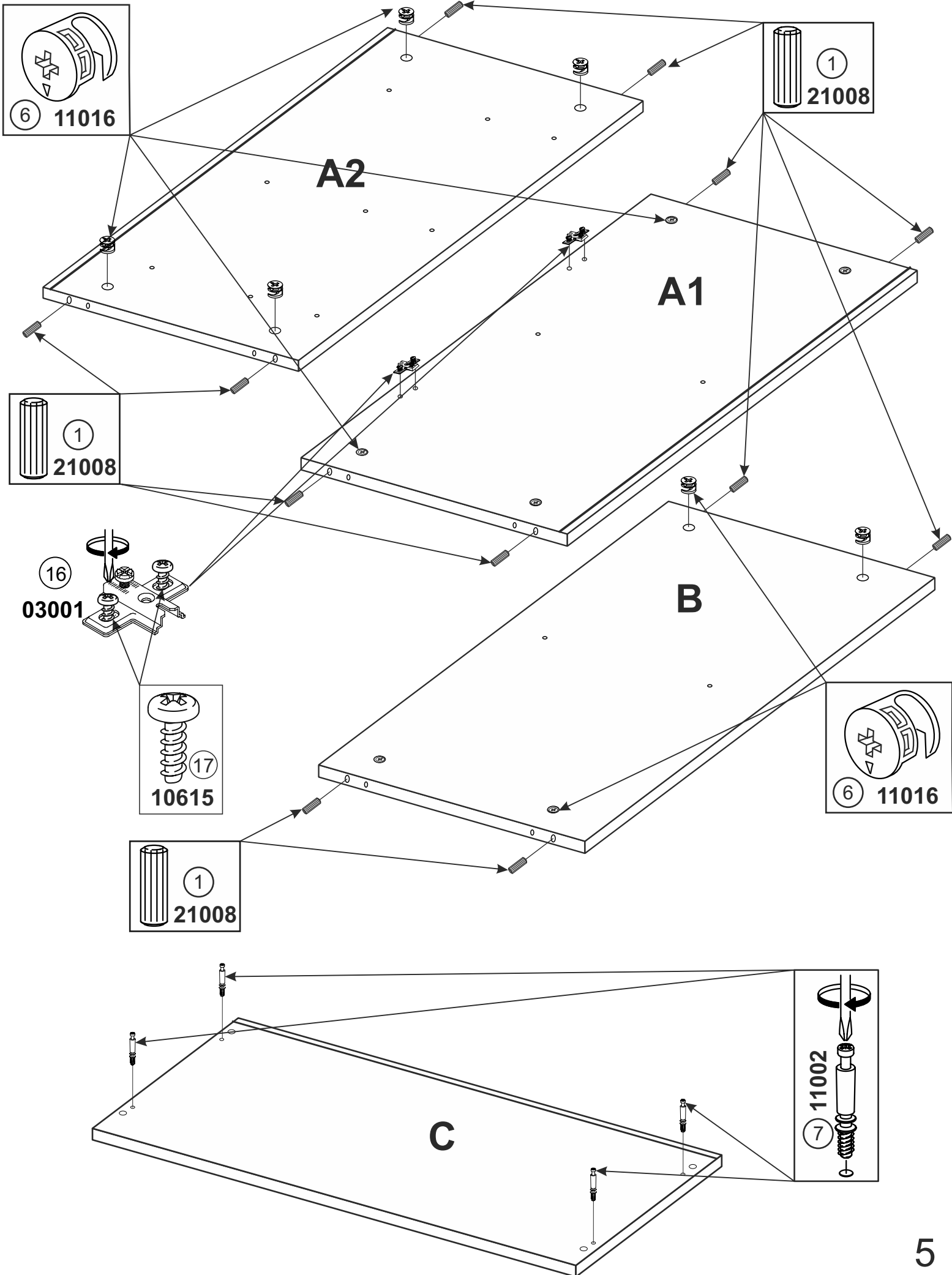
4

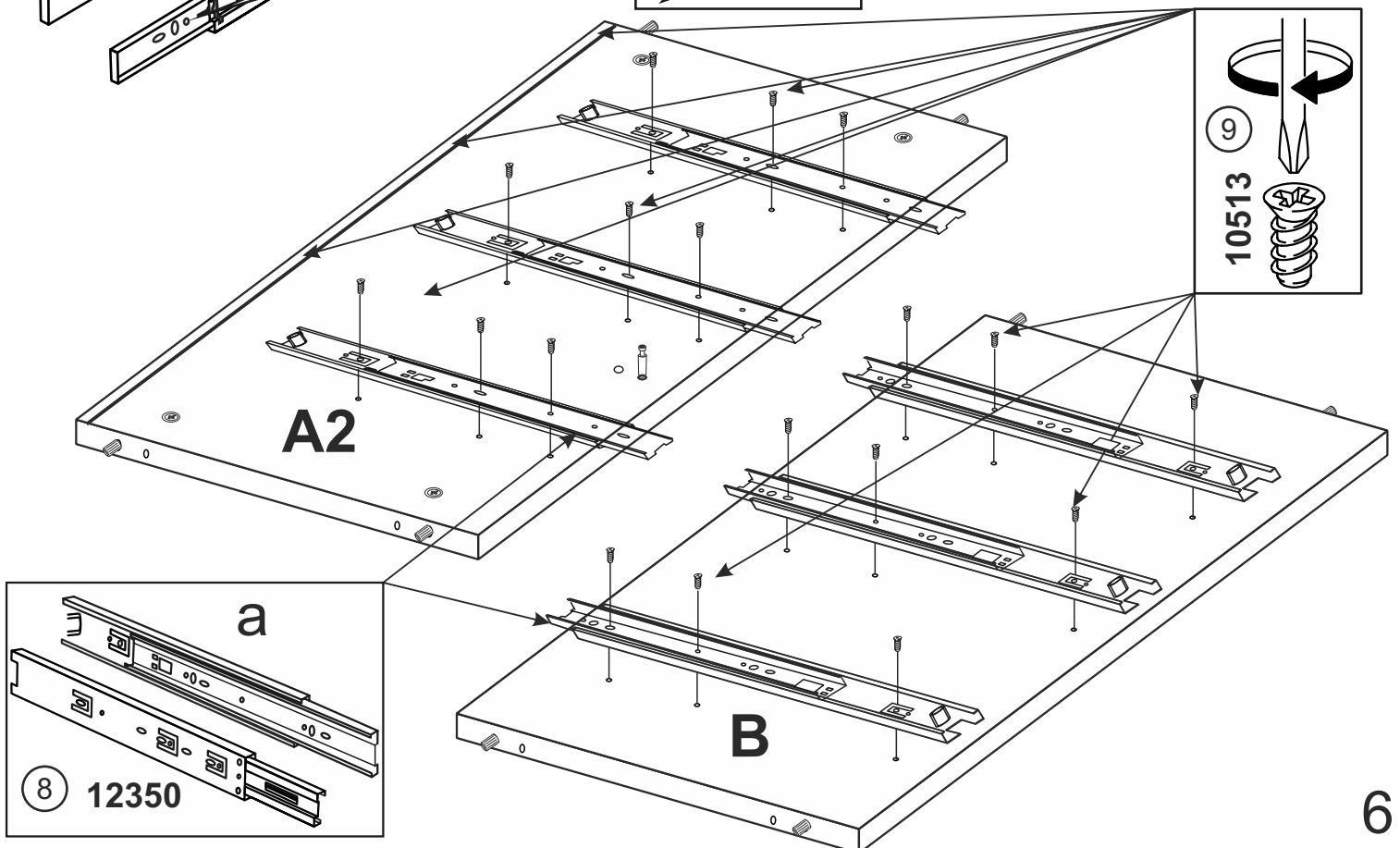
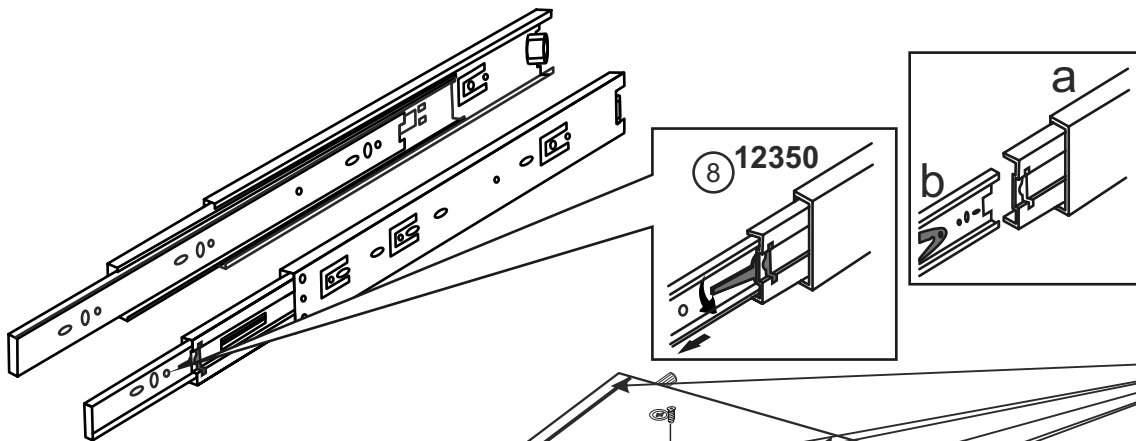
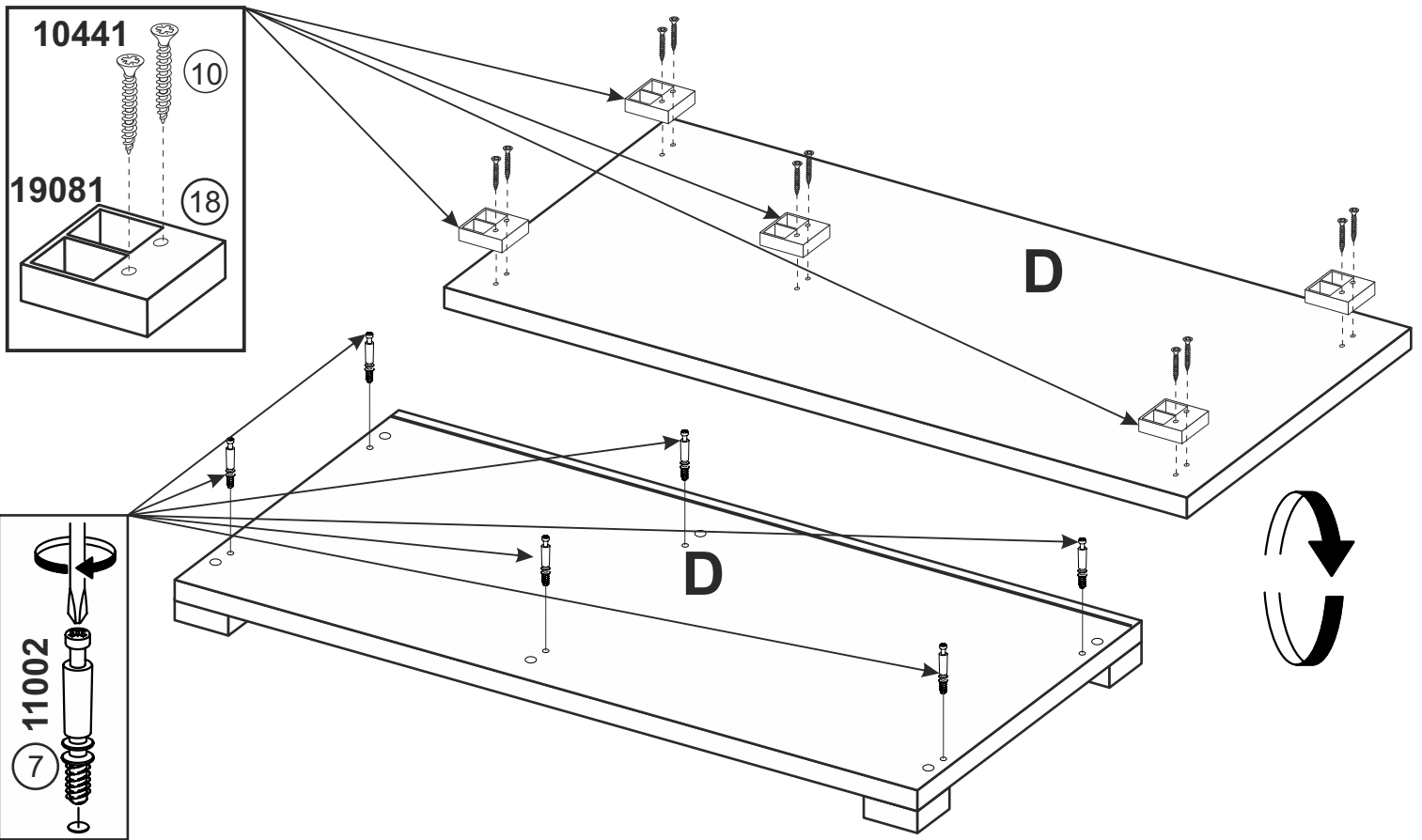


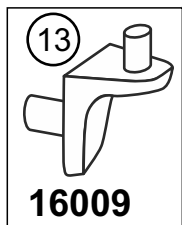
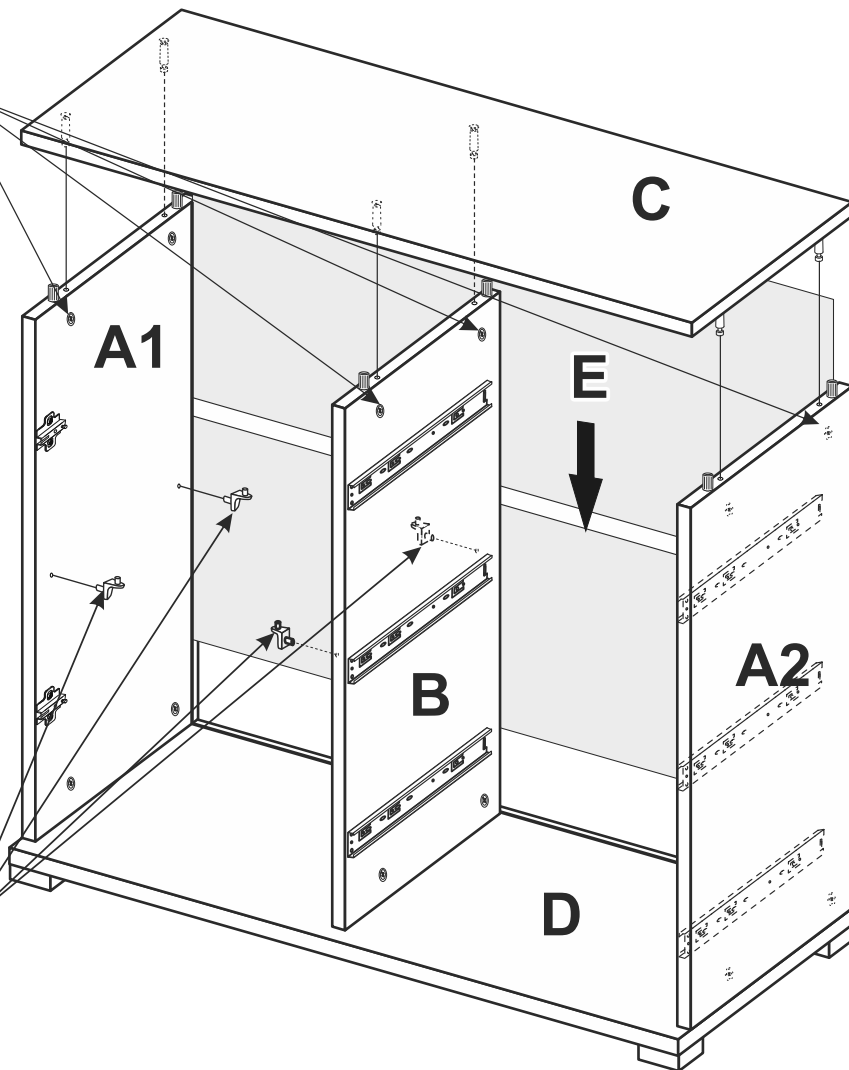
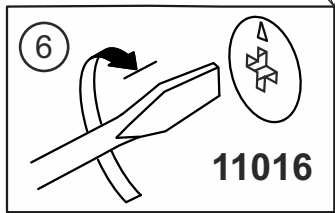
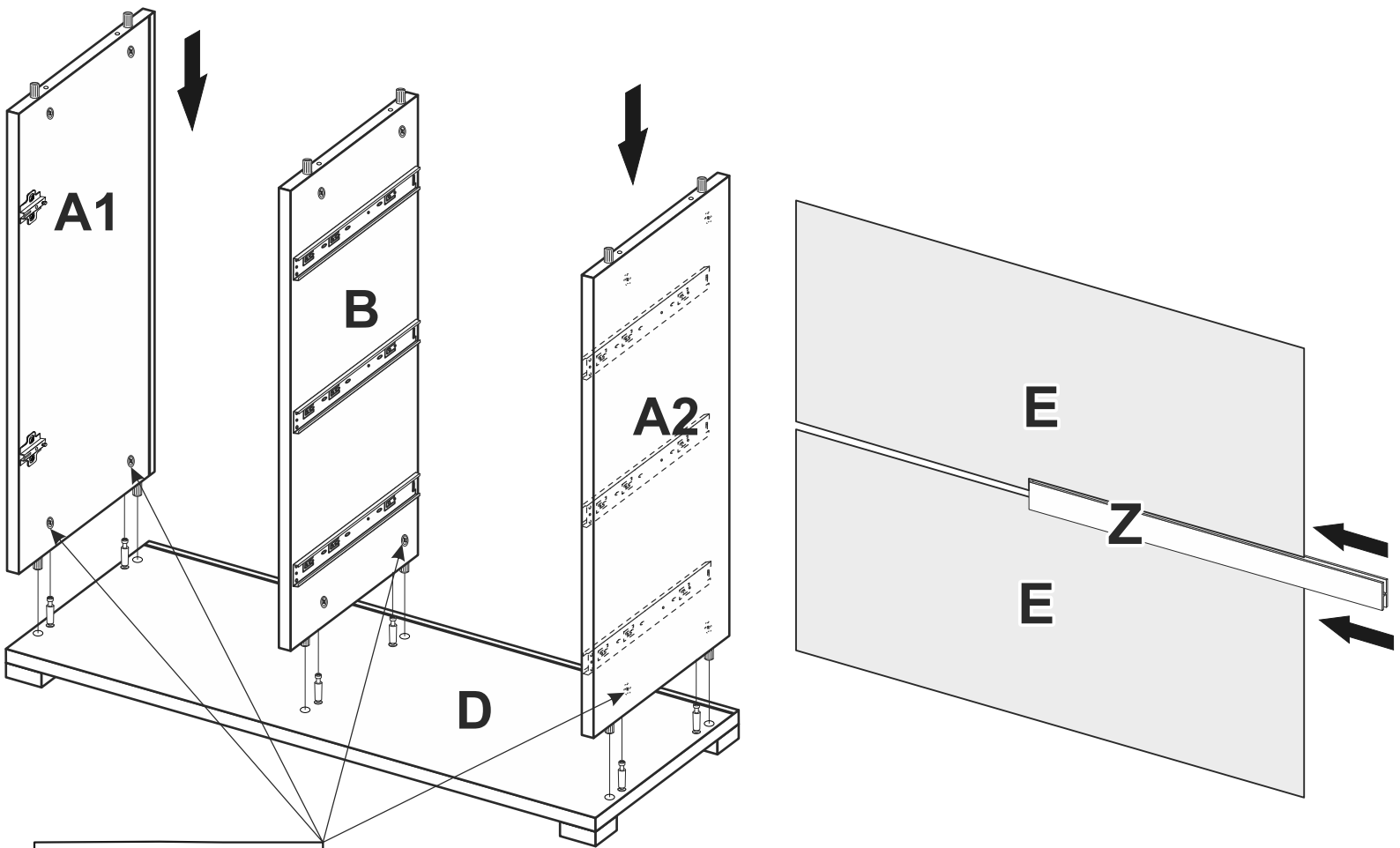


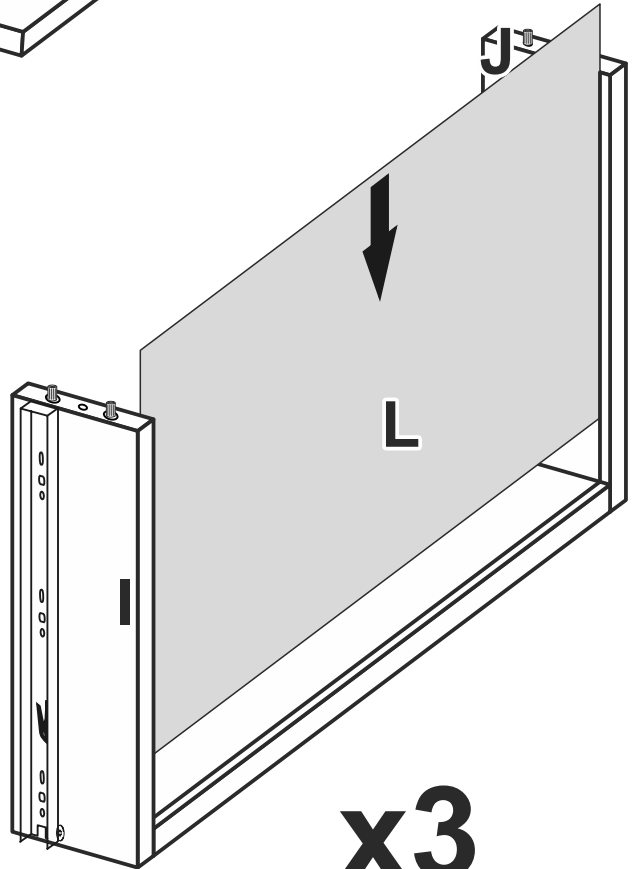
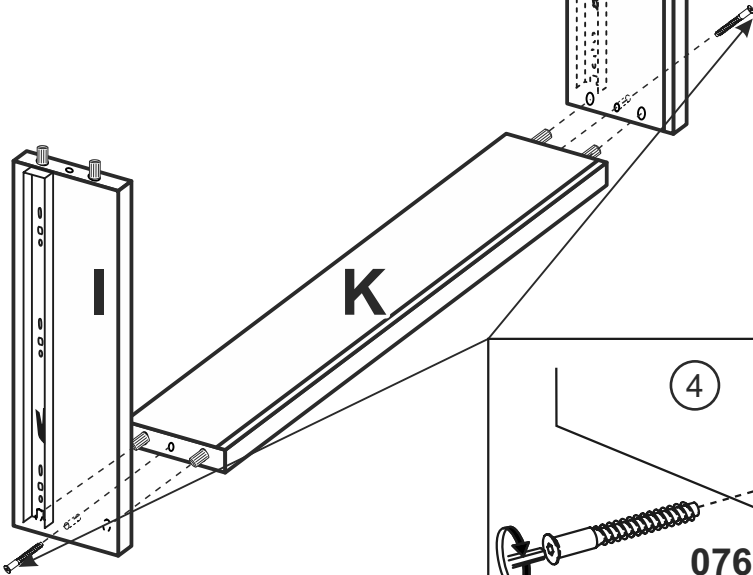
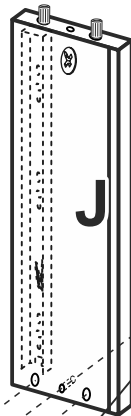
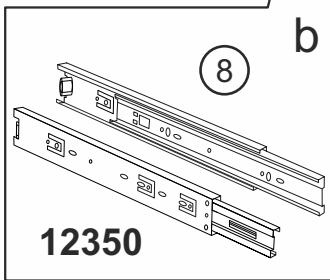
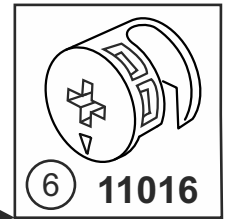
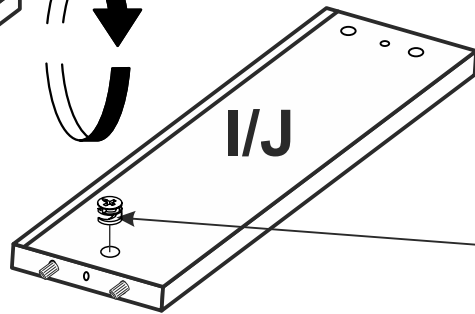
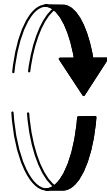
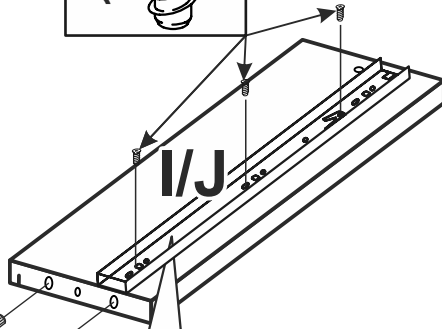
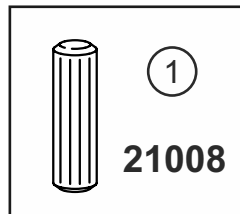
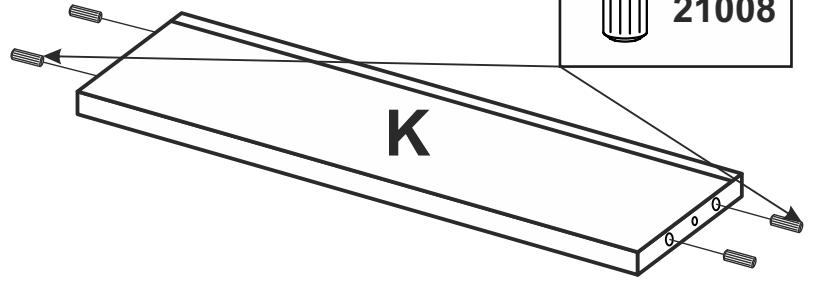
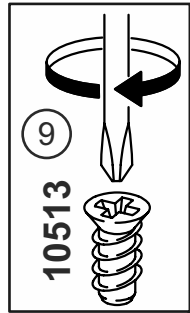
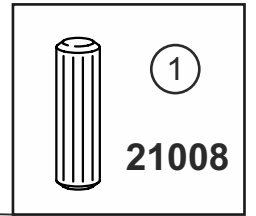
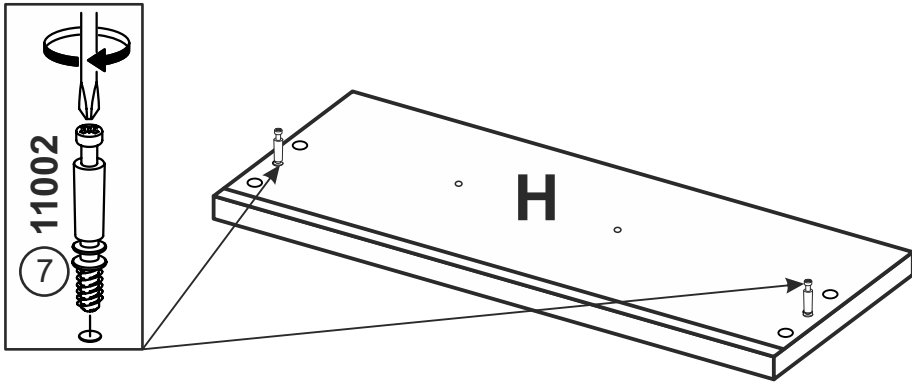
<b>A1</b>	-	754	x	380	x	16	-	x	1	
<b>A2</b>	-	754	x	380	x	16	-	x	1	
<b>B</b>	-	754	x	366	x	16	-	x	1	
<b>C</b>	-	1001	x	400	x	22	-	x	1	
<b>D</b>	-	1001	x	397	x	22	-	x	1	
<b>E</b>	-	980	x	383	x	3	-	x	2	
<b>F</b>	-	434	x	346	x	16	-	x	1	
<b>G</b>	-	453	x	746	x	16	-	x	1	
<b>H</b>	-	537	x	246	x	16	-	x	3	
<b>I</b>	-	350	x	136	x	16	-	x	3	
<b>J</b>	-	350	x	136	x	16	-	x	3	
<b>K</b>	-	460	x	136	x	16	-	x	3	
<b>L</b>	-	472	x	346	x	3	-	x	3	
<b>Z</b>	-	966MM						-	x	1



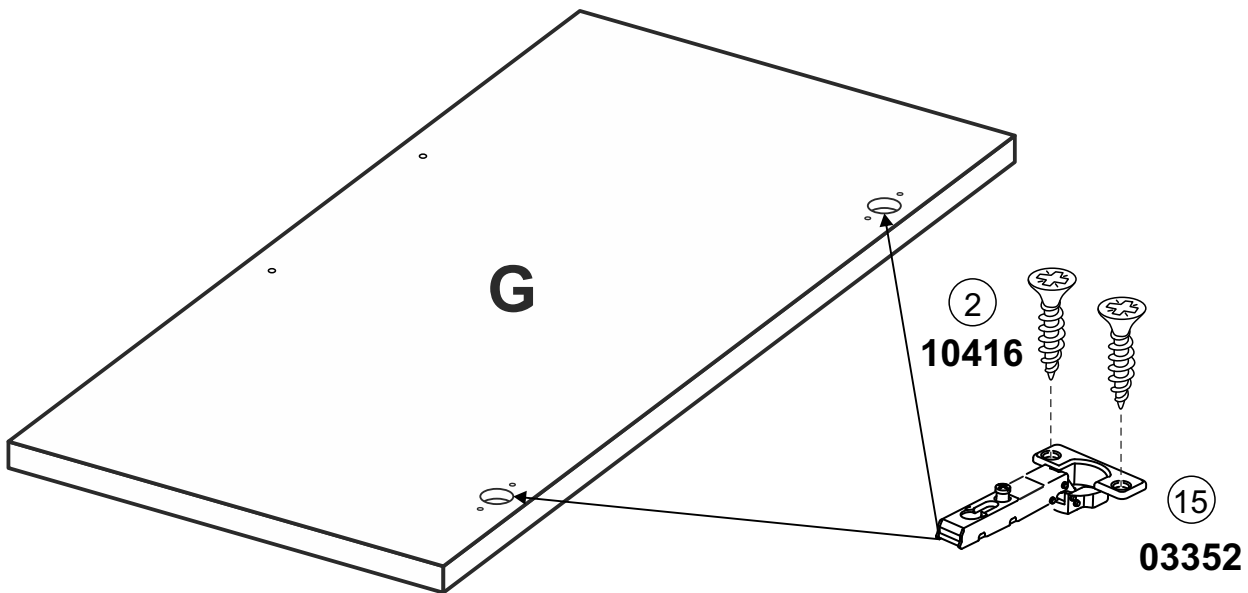
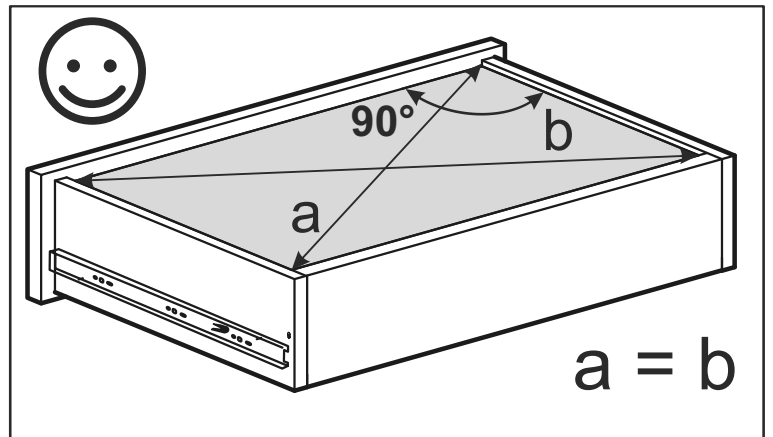
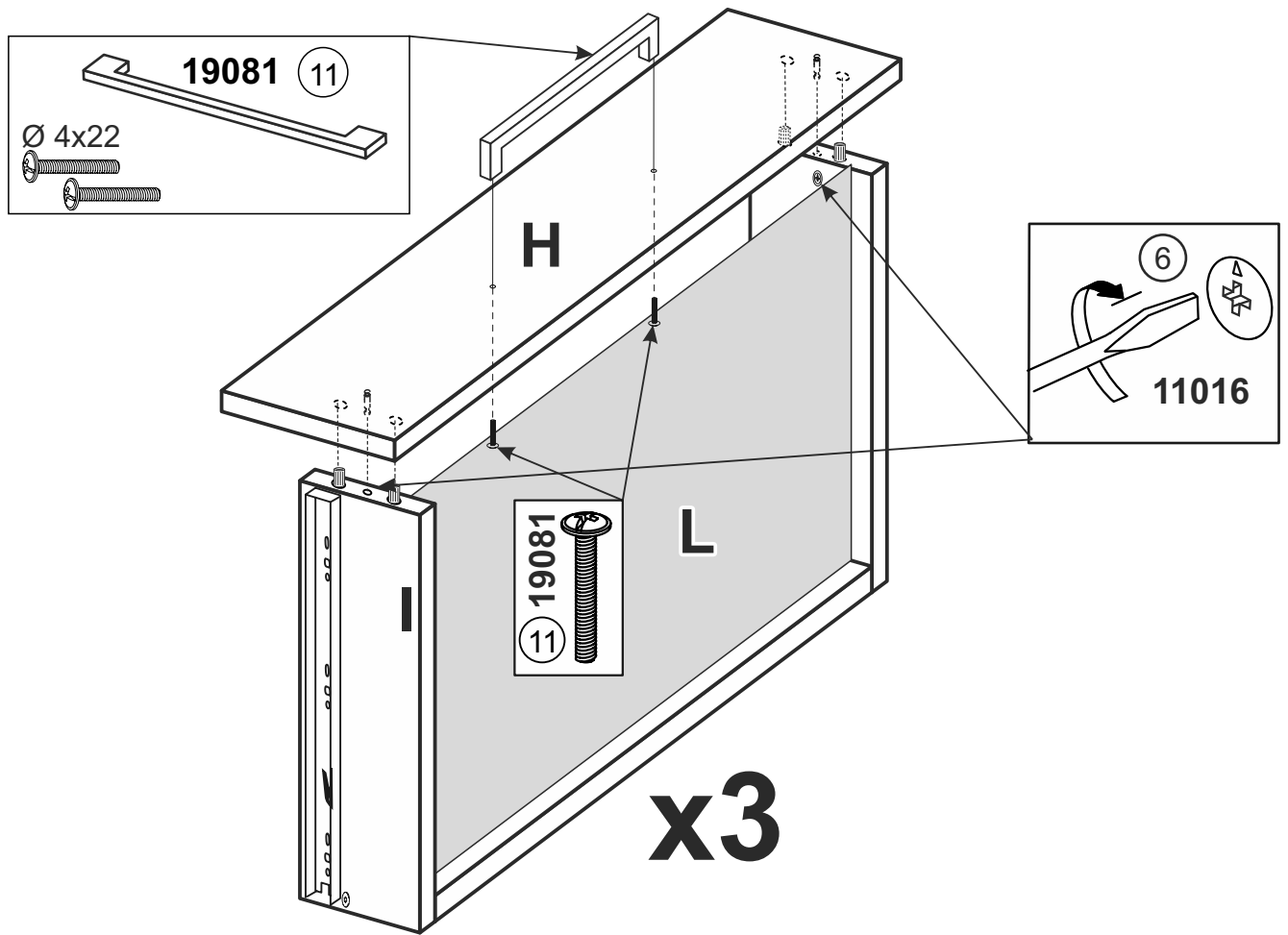


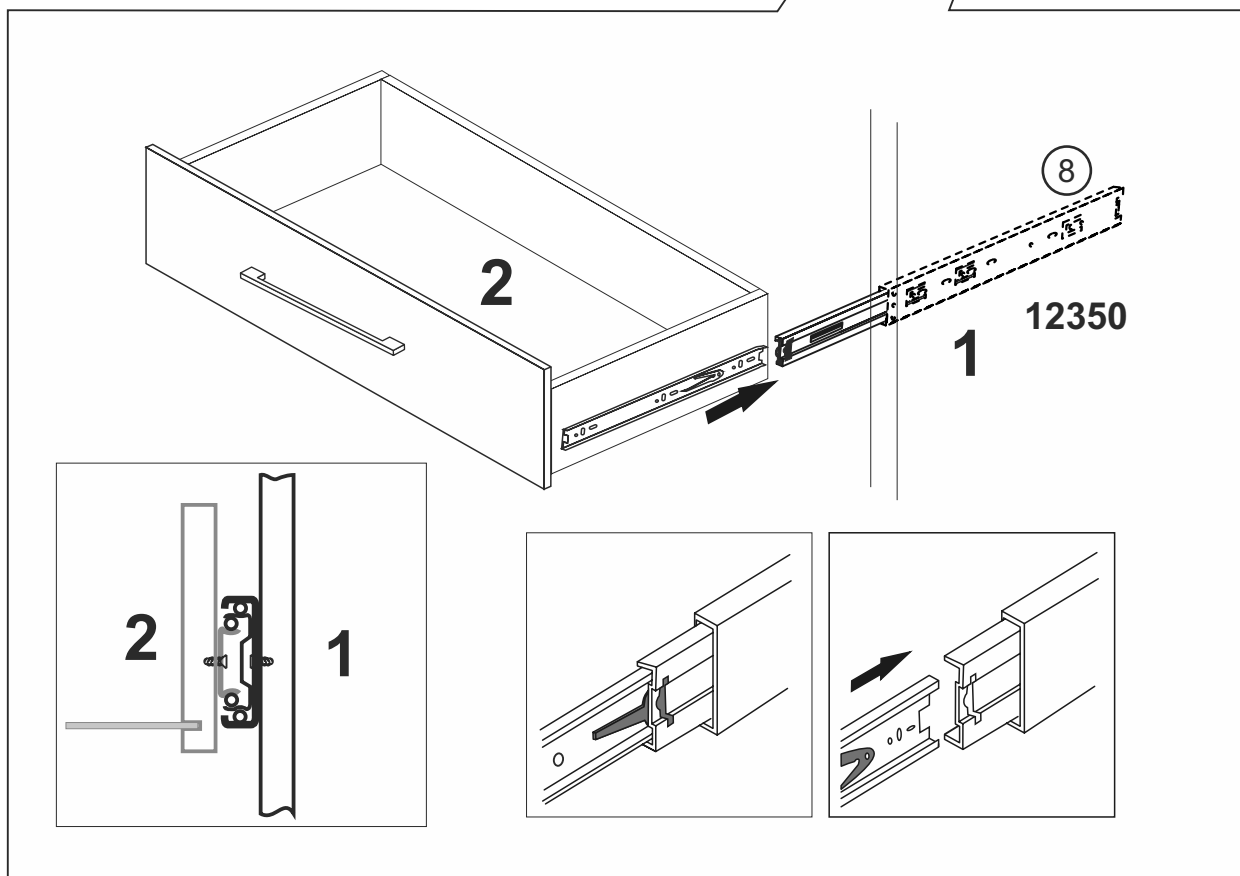
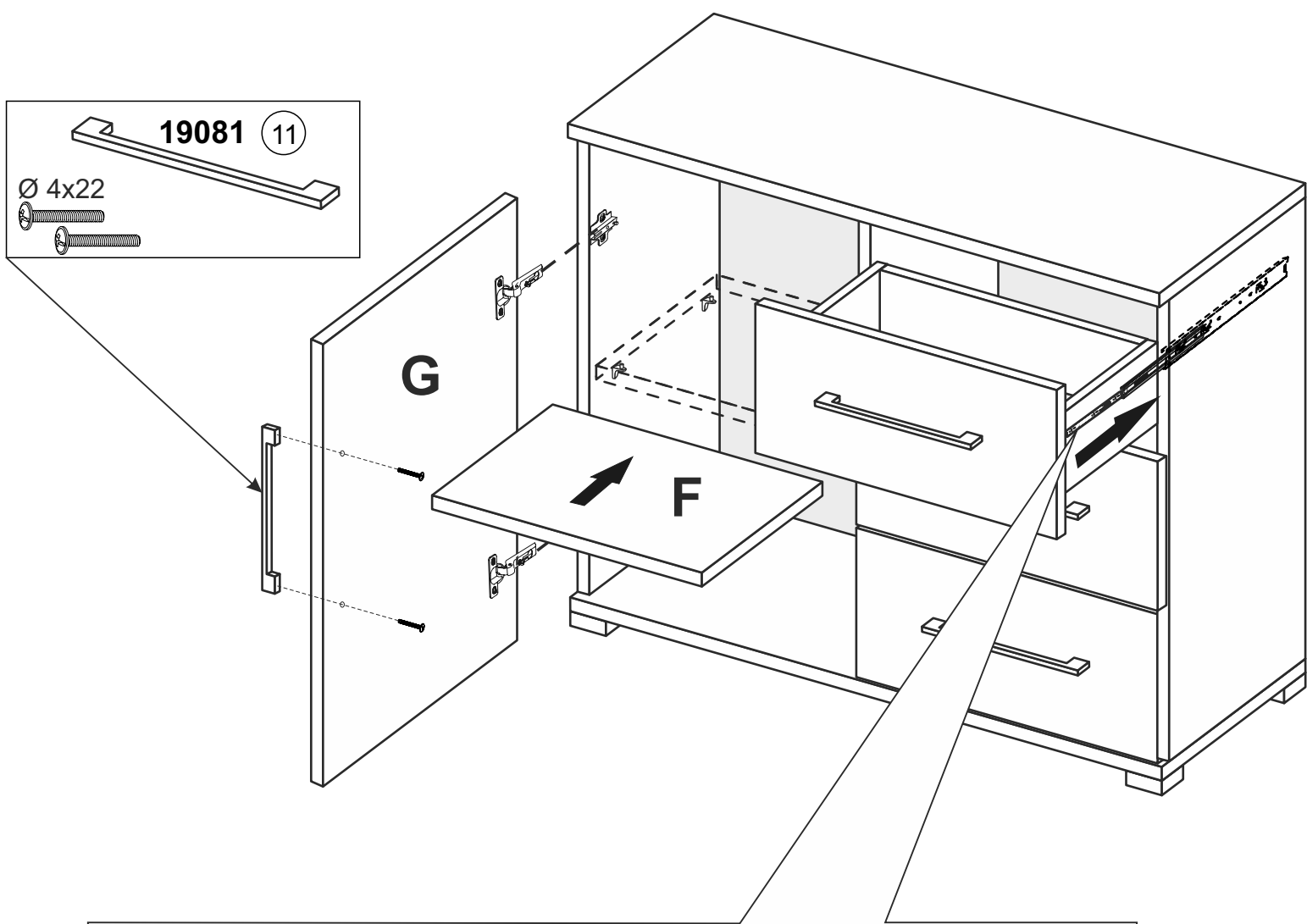
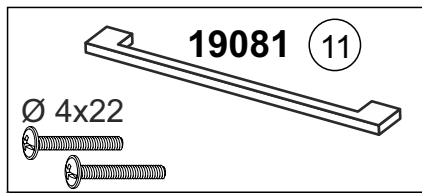




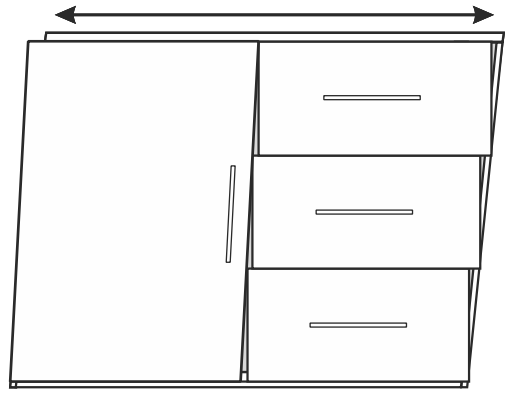
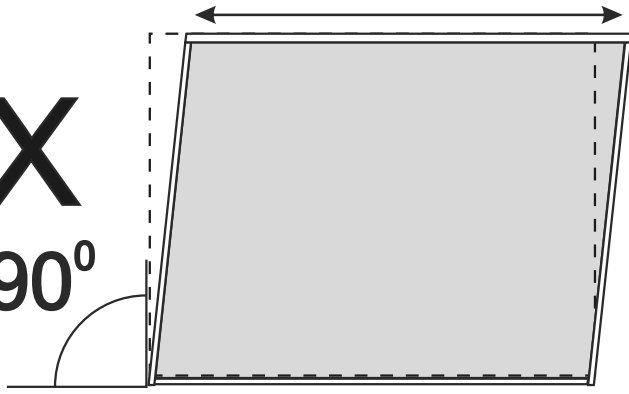








**X**  
**90°**



**✓**  
**90°**

