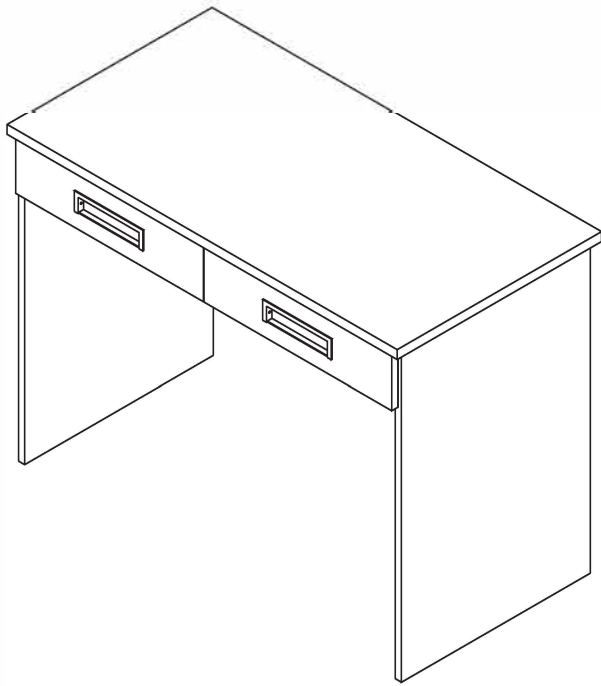
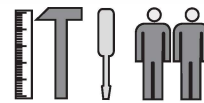




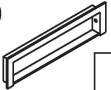




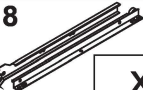


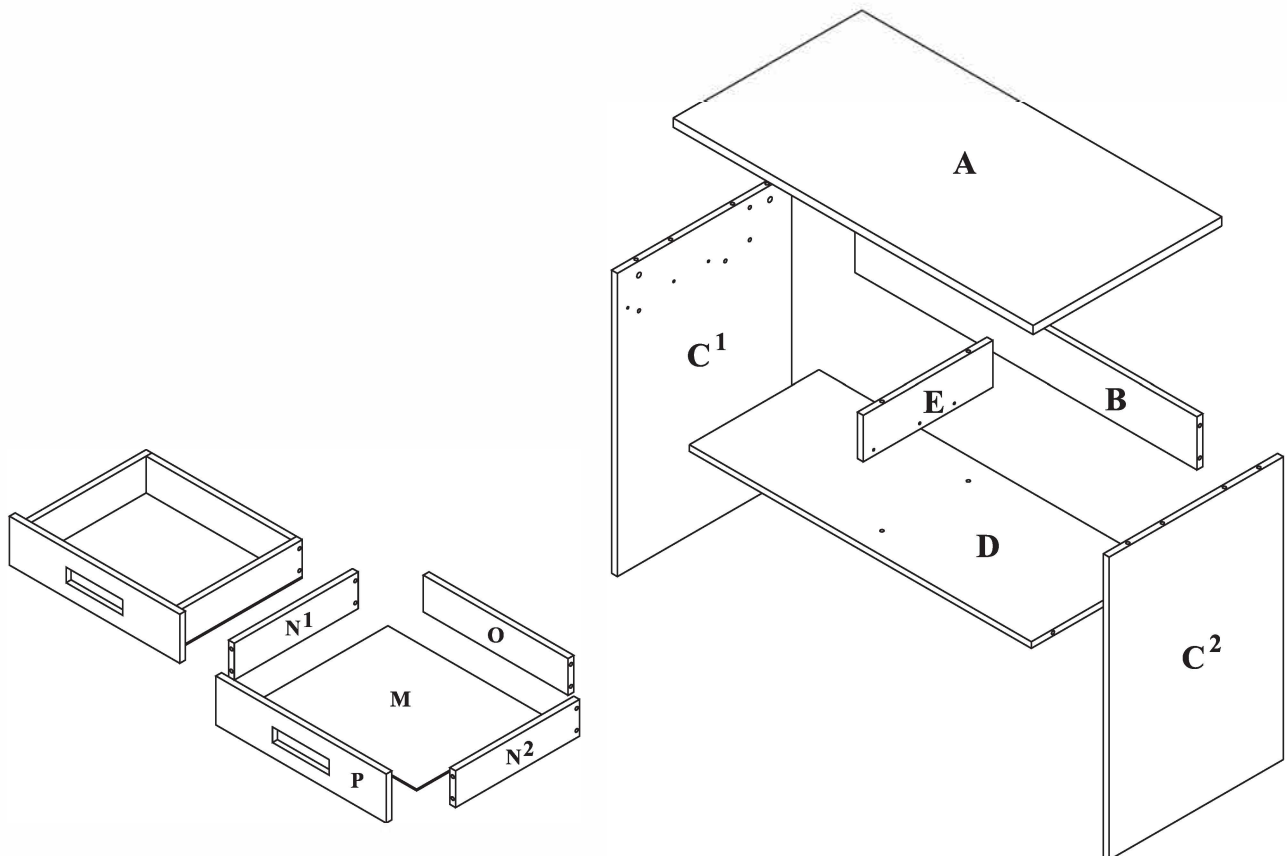
P2

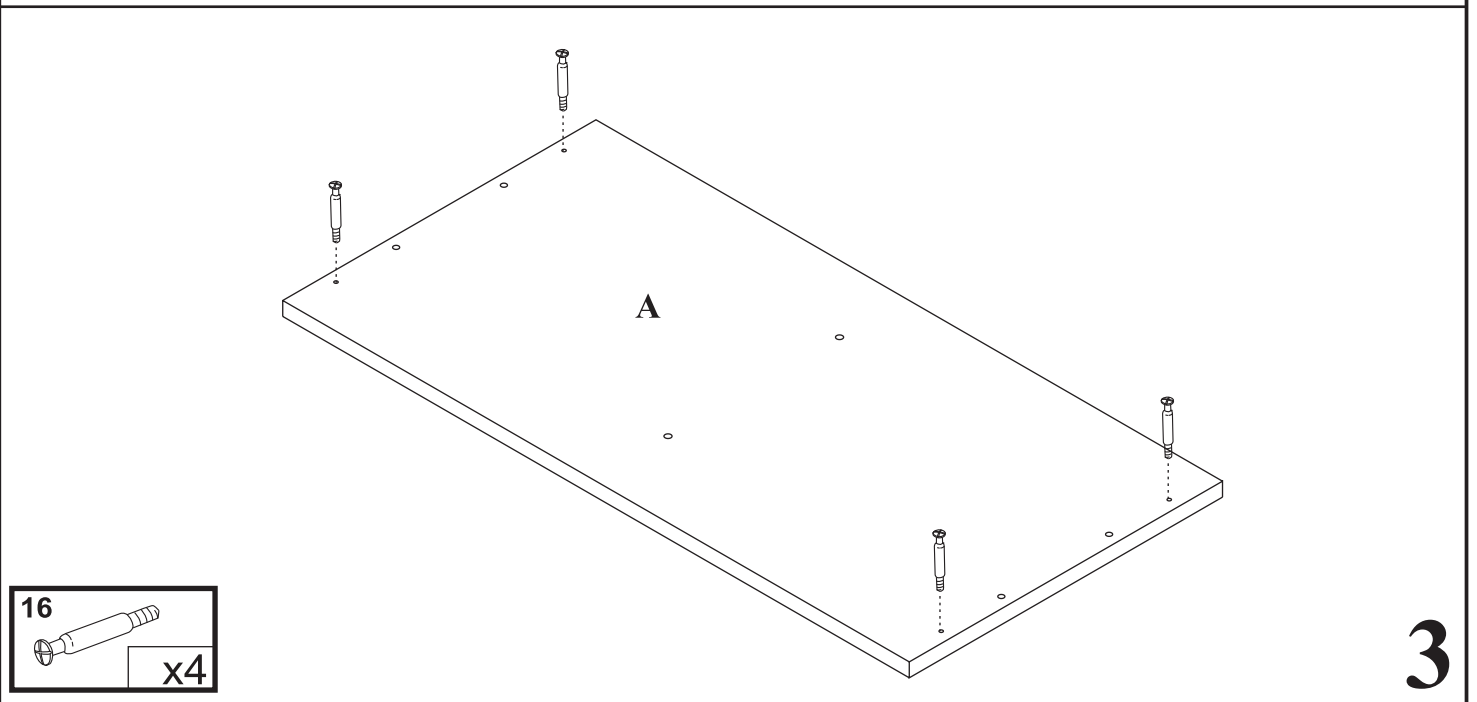
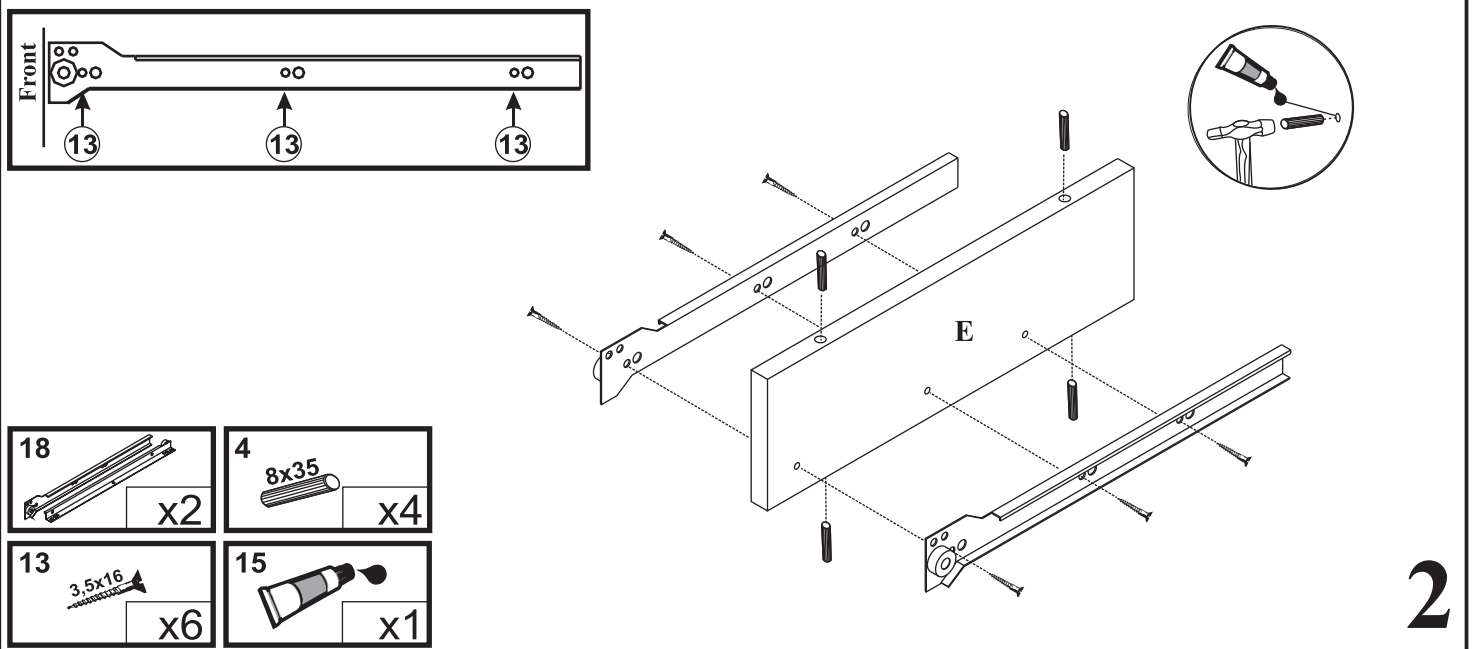
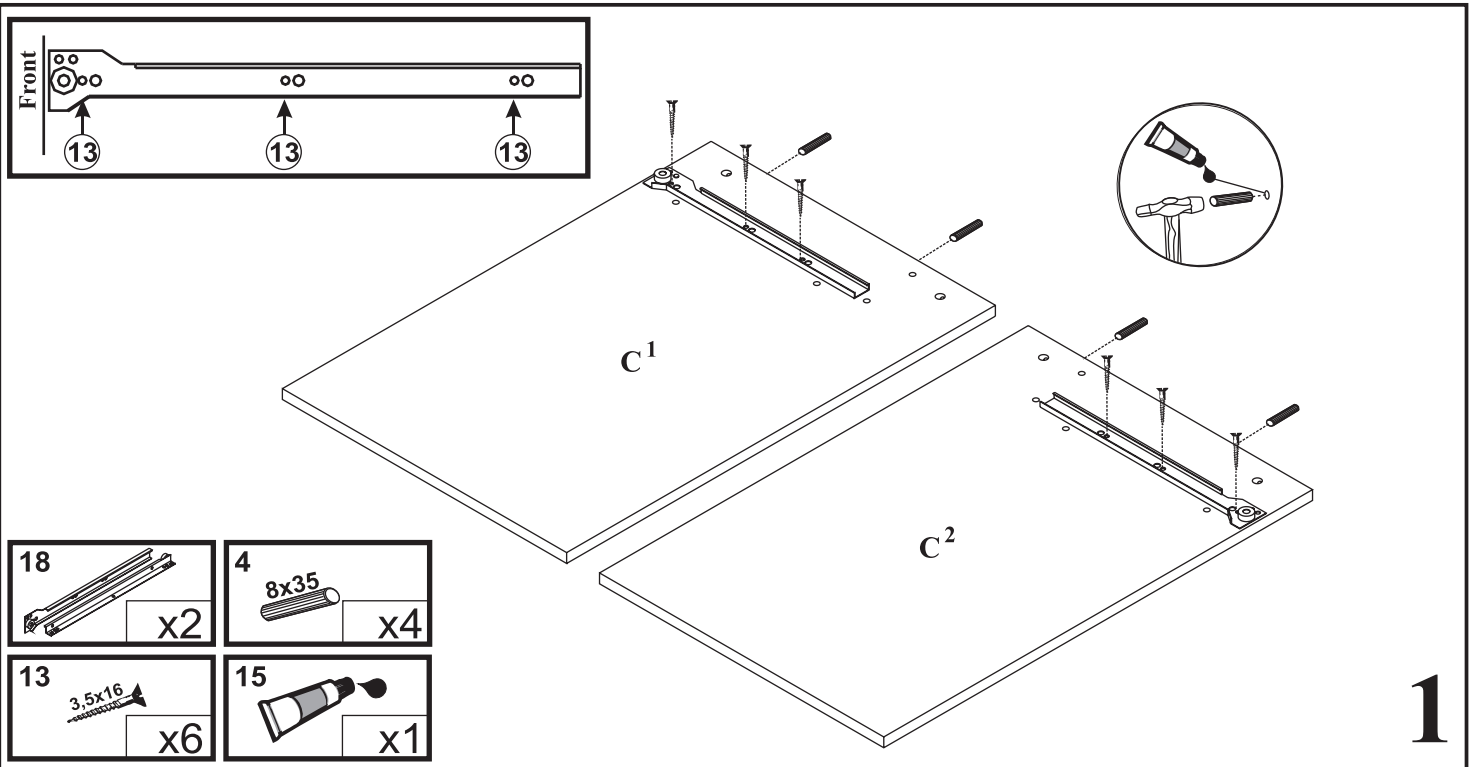


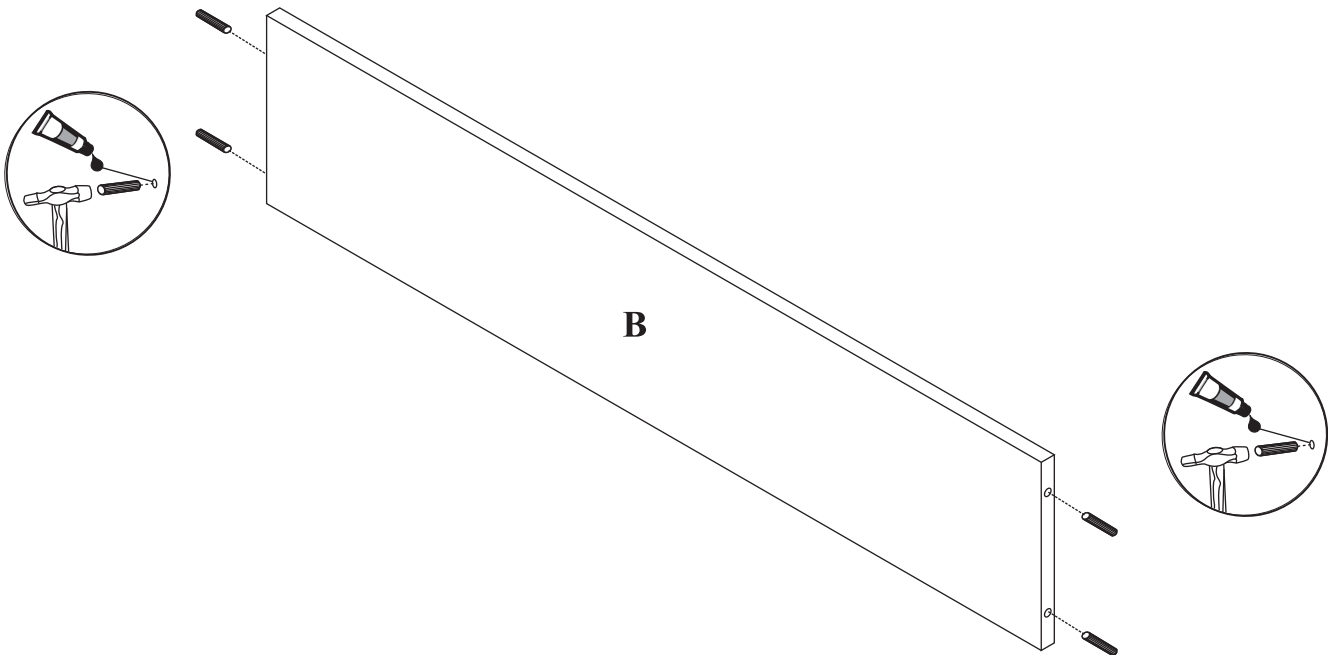
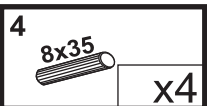
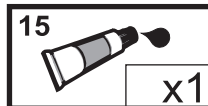
40 min.



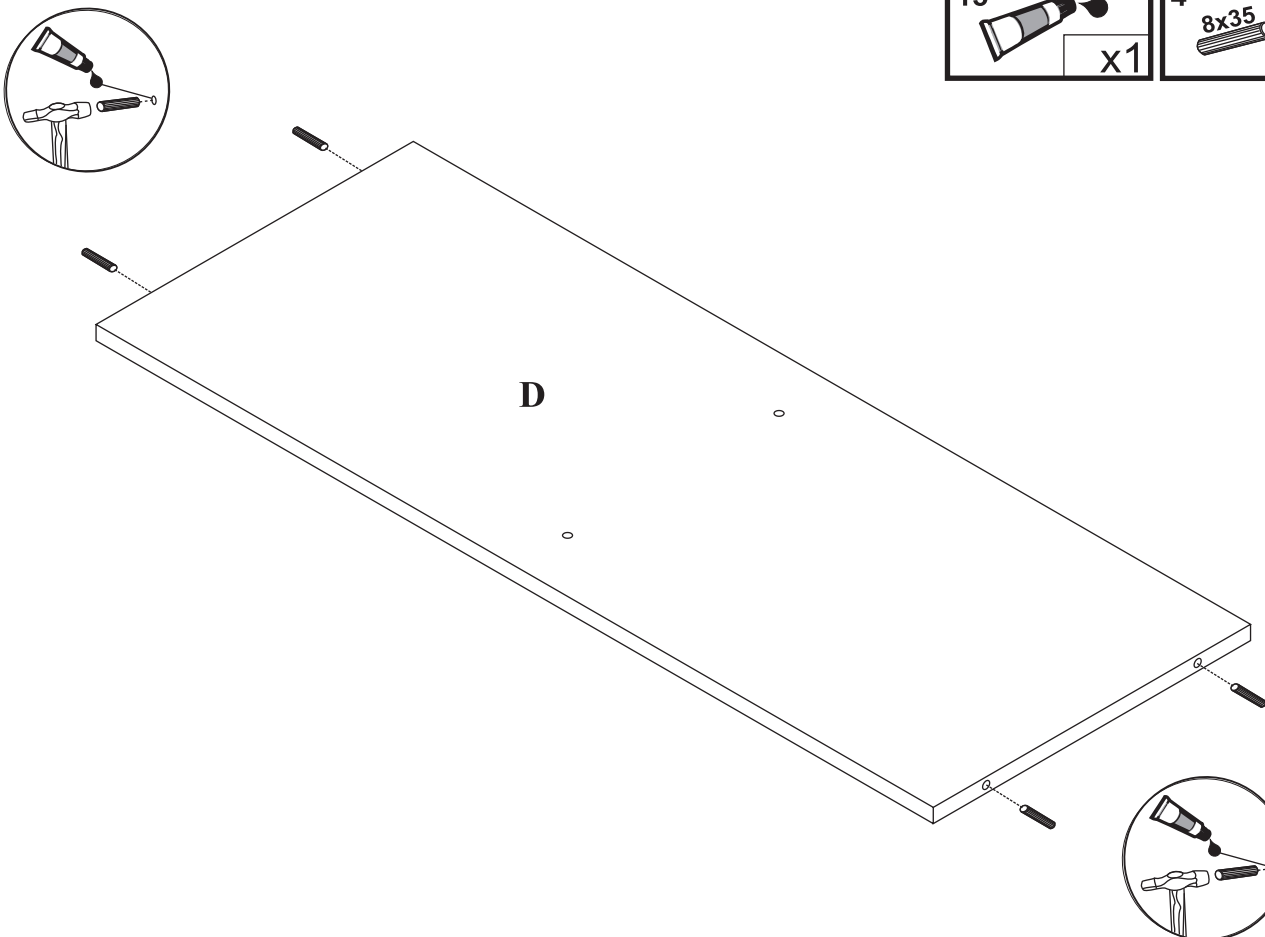
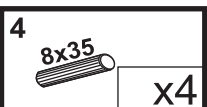
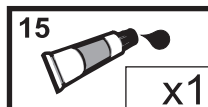
3  x4	4 8x35  x32	6 4x16  x4	8  x30	9  x2
13 3,5x16  x24	15  x1	16  x4	17  x4	18  x4



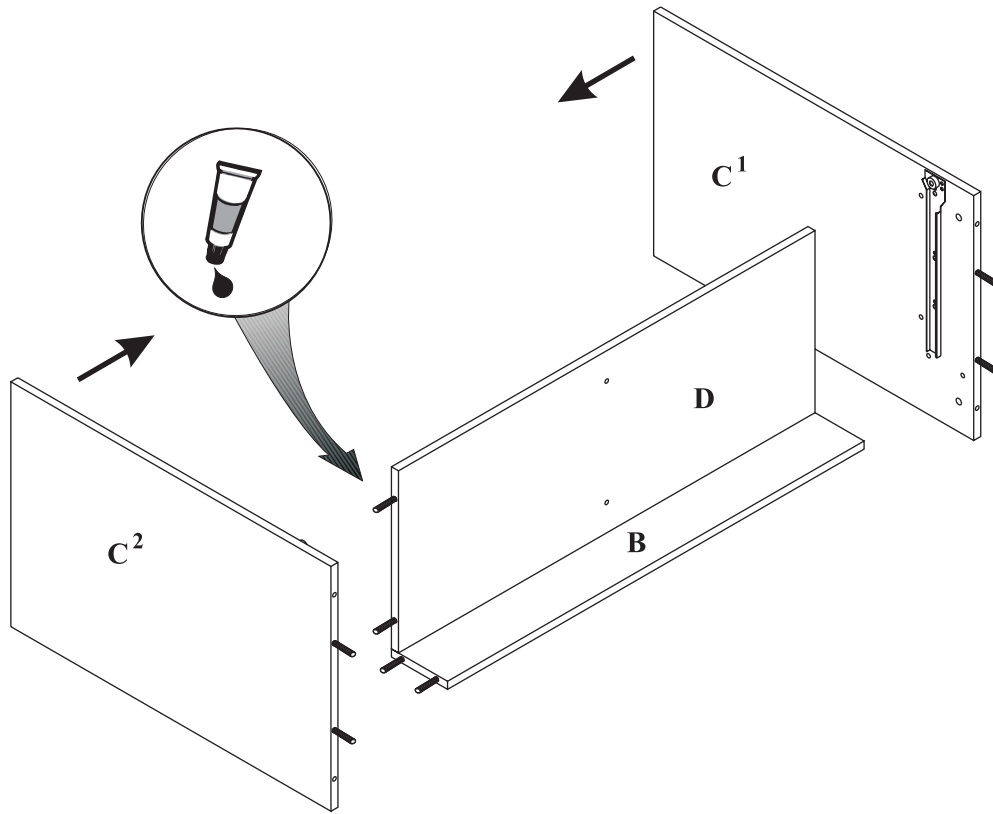
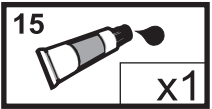




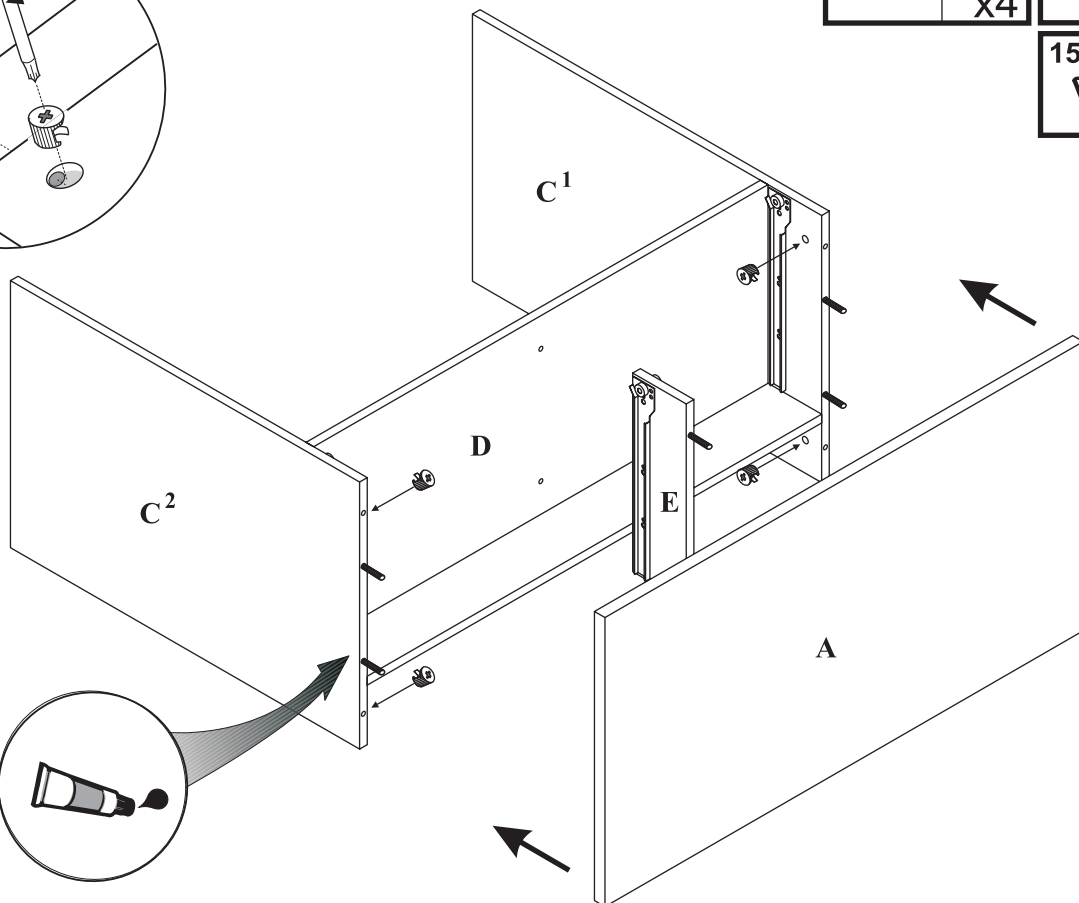
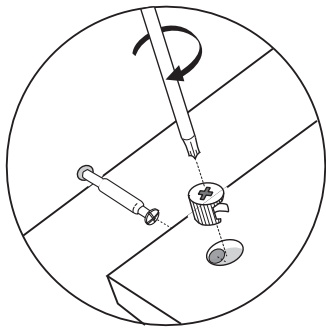
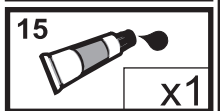
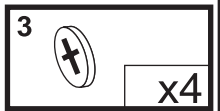
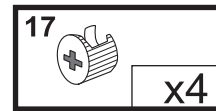
4



5



6



7

