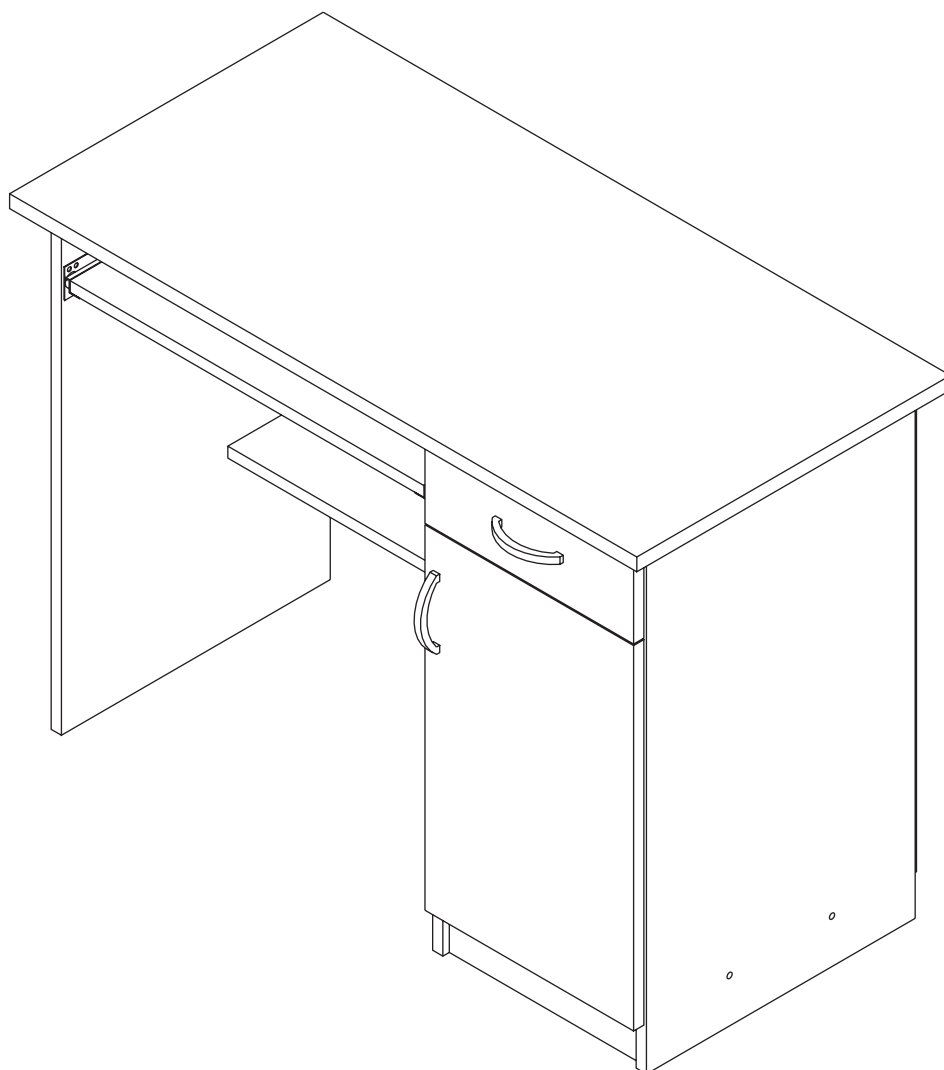
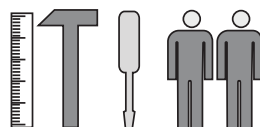


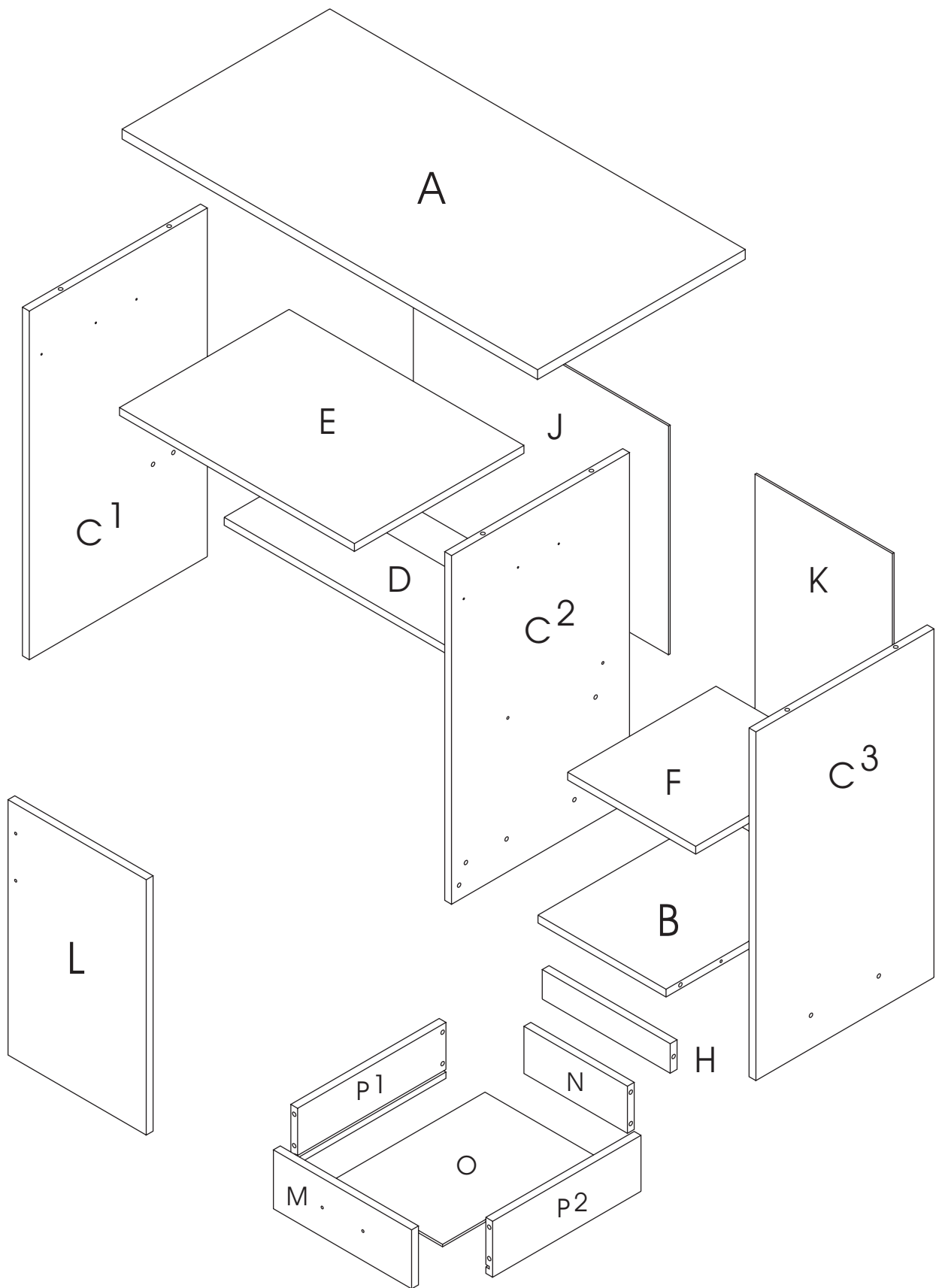
B_01


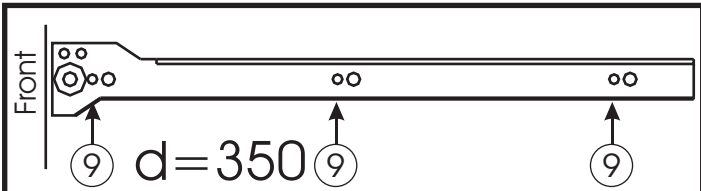
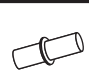

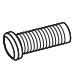


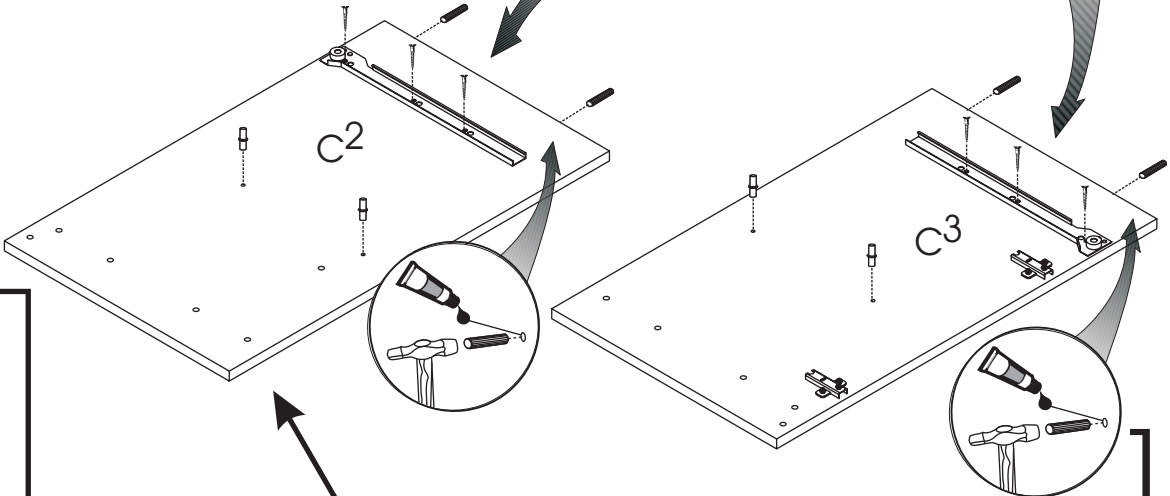
1 8x35 x24	2 x6	3 x6	4 x1	5 x2	6 x4
7 x70	8 x2	9 3,5x16 x28	10 x4	11 d=400 x2	12 x2
13 x2	14 x4	15 d=350 x2			

80 min.

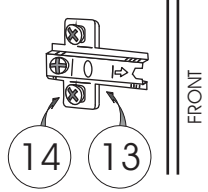




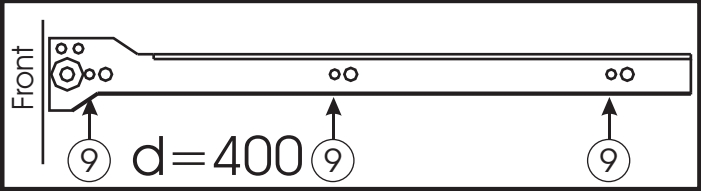

1 8x35 x4	9 3.5x16 x6	5  x1	 <p>Front 9 d=350 9 9</p>
6  x4	15 d=350 x2	13  x2	
14  x4			

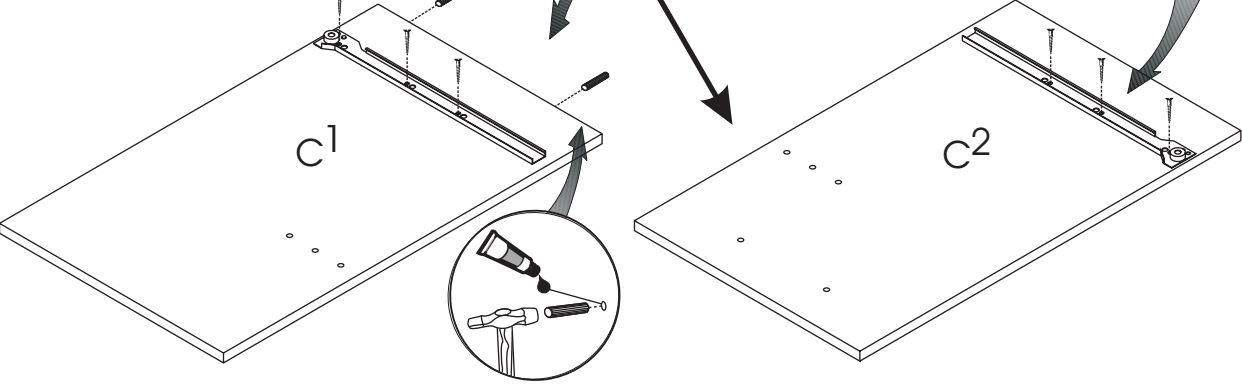


1

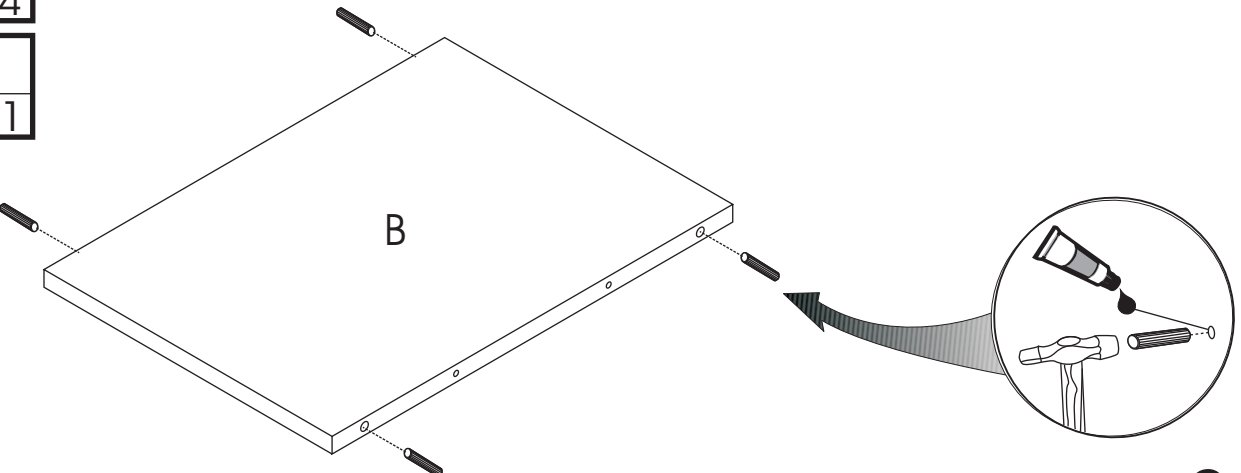



FRONT
14 13

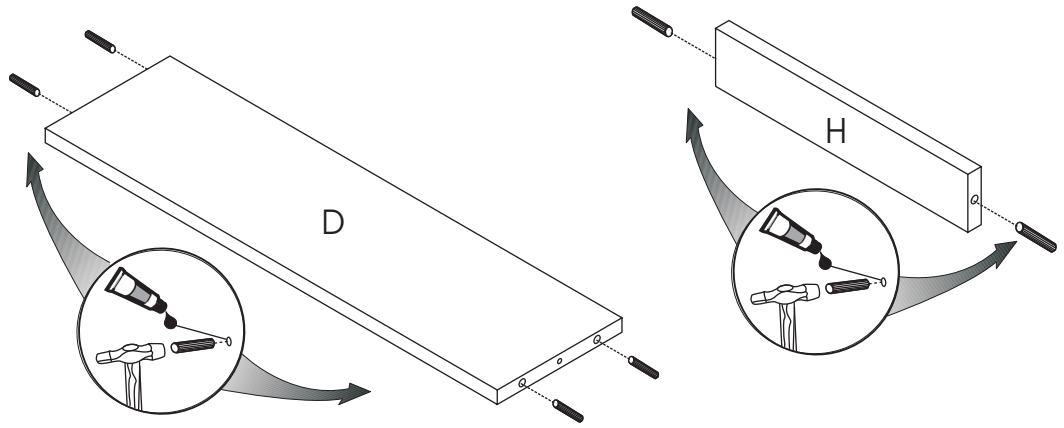
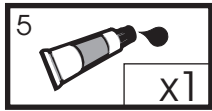
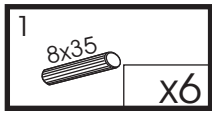
1 8x35 x2	9 3.5x16 x6	 <p>Front 9 d=400 9 9</p>
5  x1	11 d=400 x2	



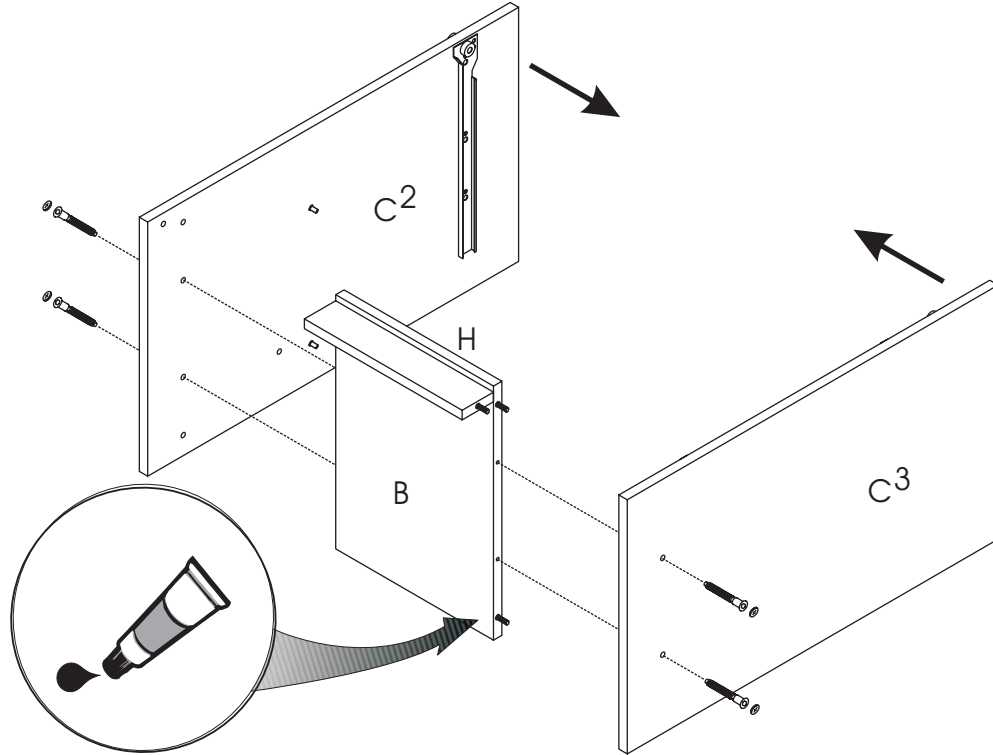
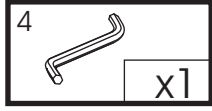
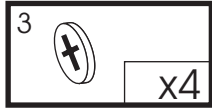
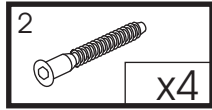
2

1 8x35 x4	
5  x1	

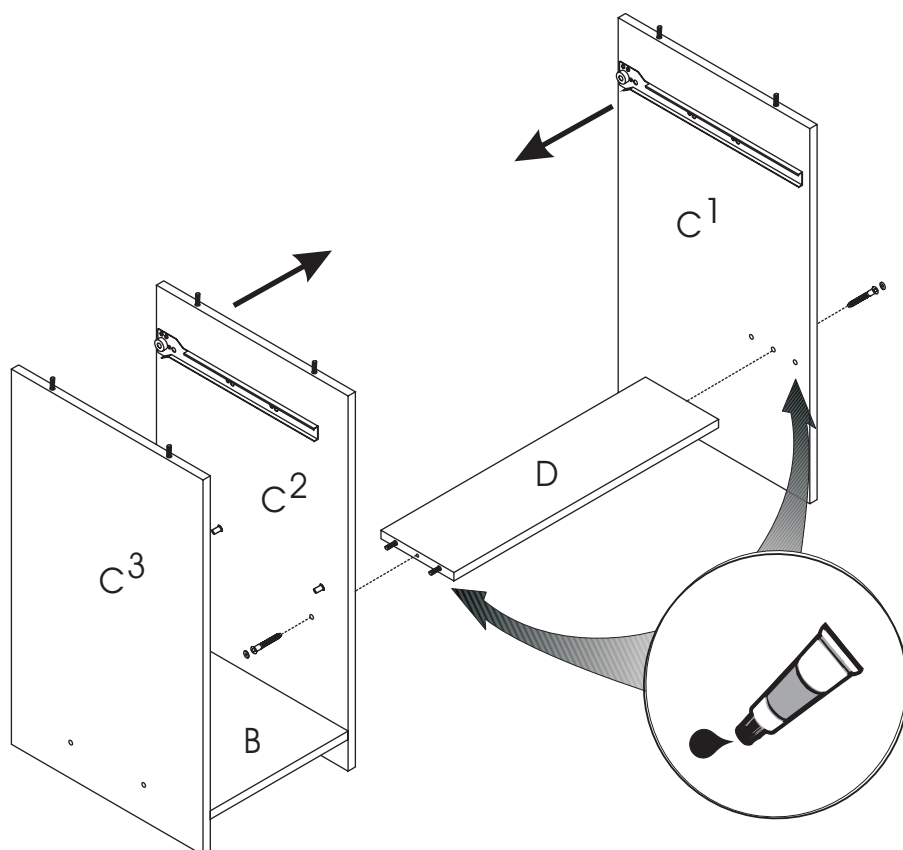
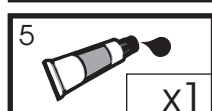
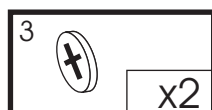
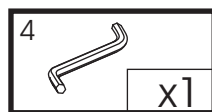
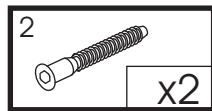
3



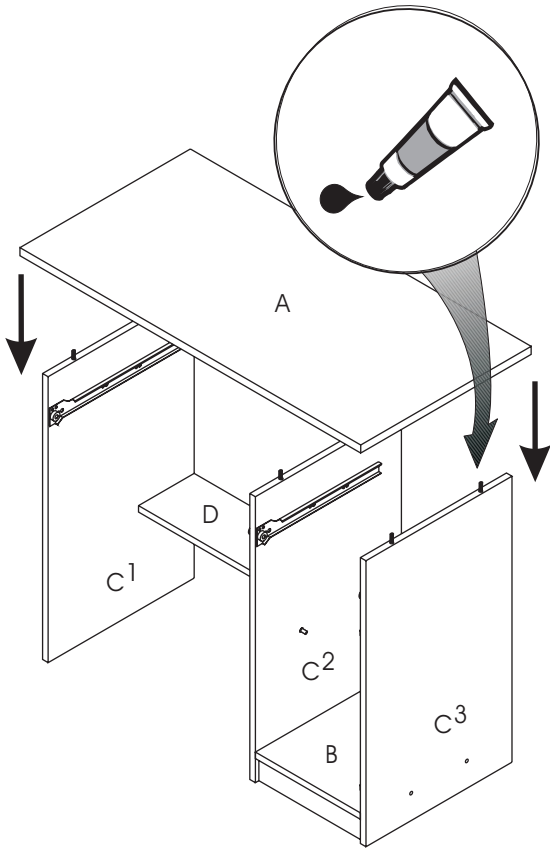
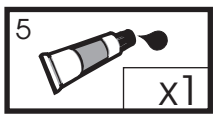
4



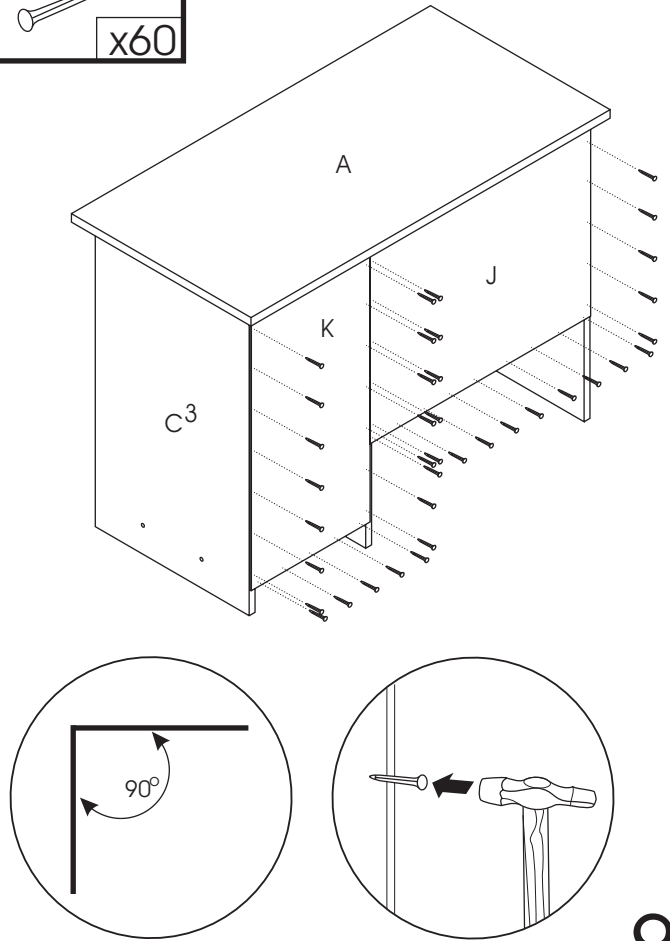
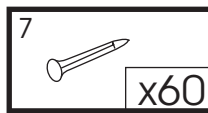
5



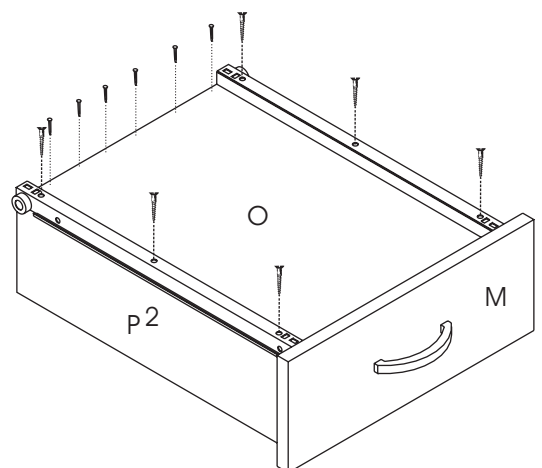
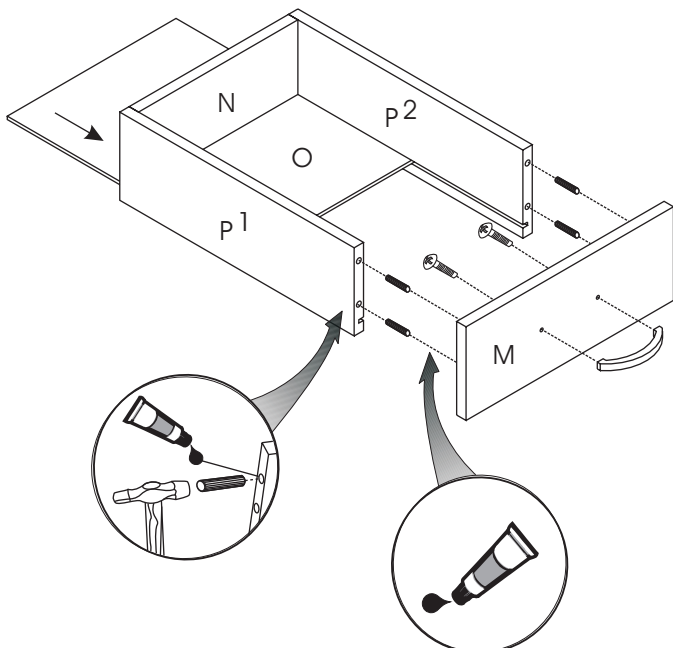
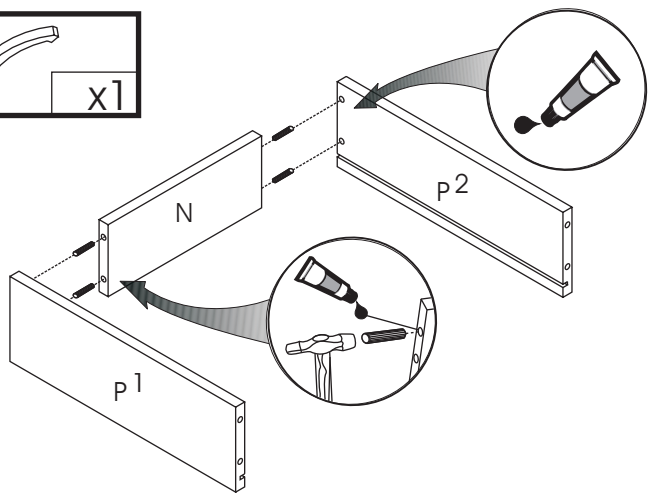
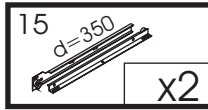
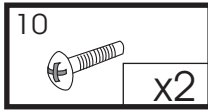
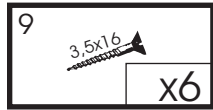
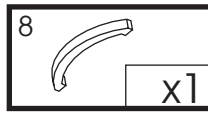
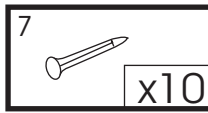
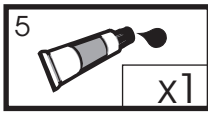
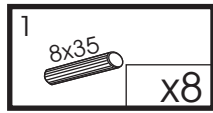
6



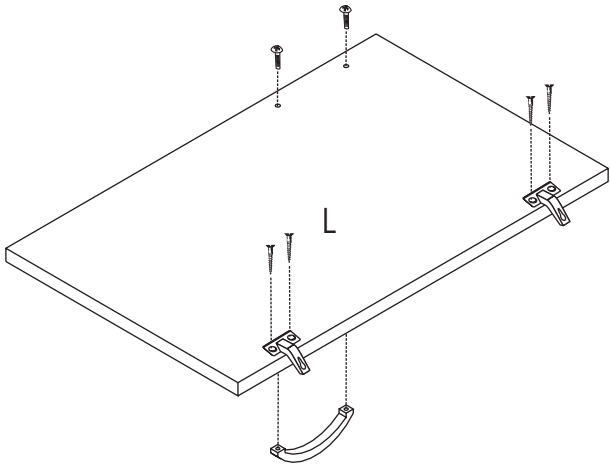
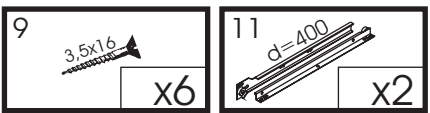
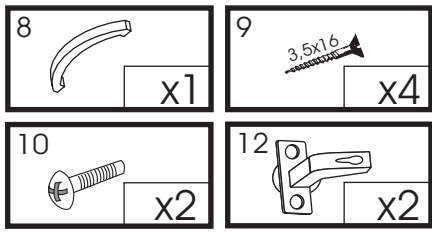
7



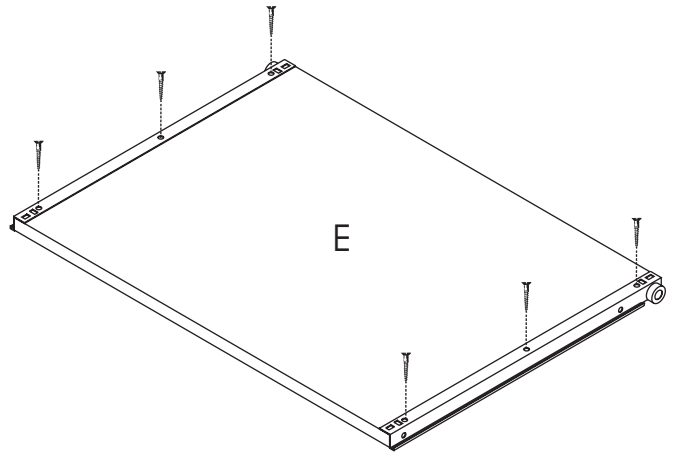
8



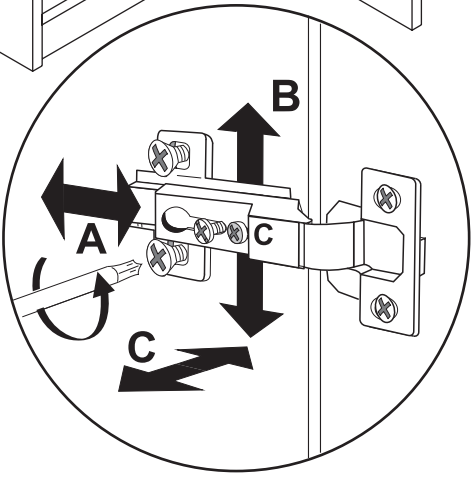
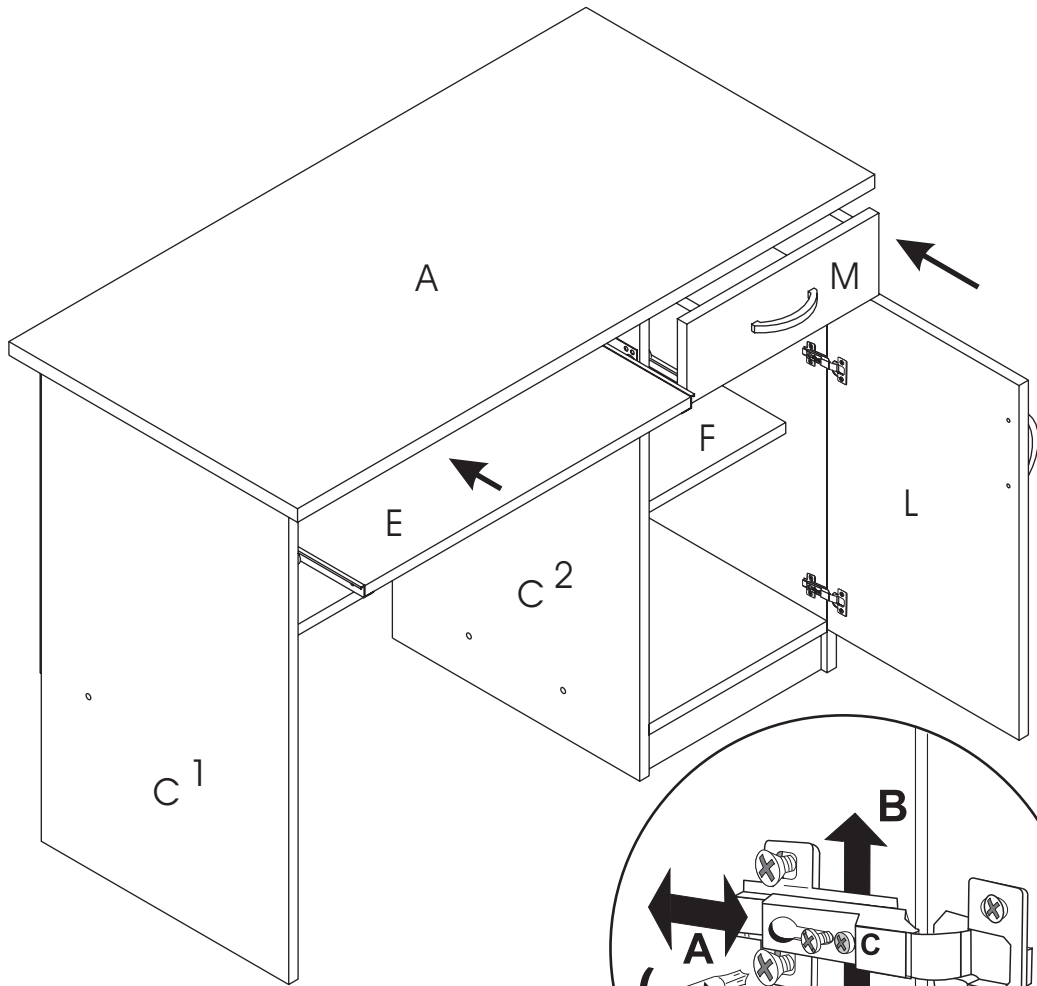
9



10



11



12