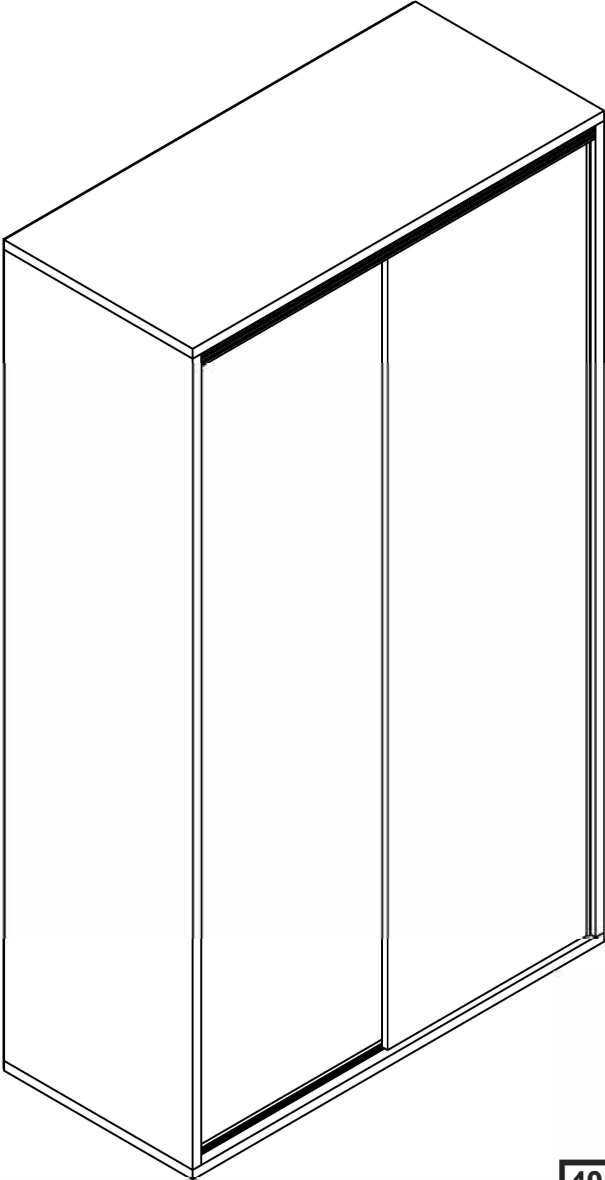







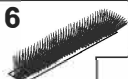












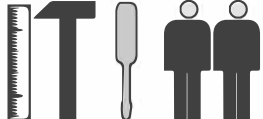


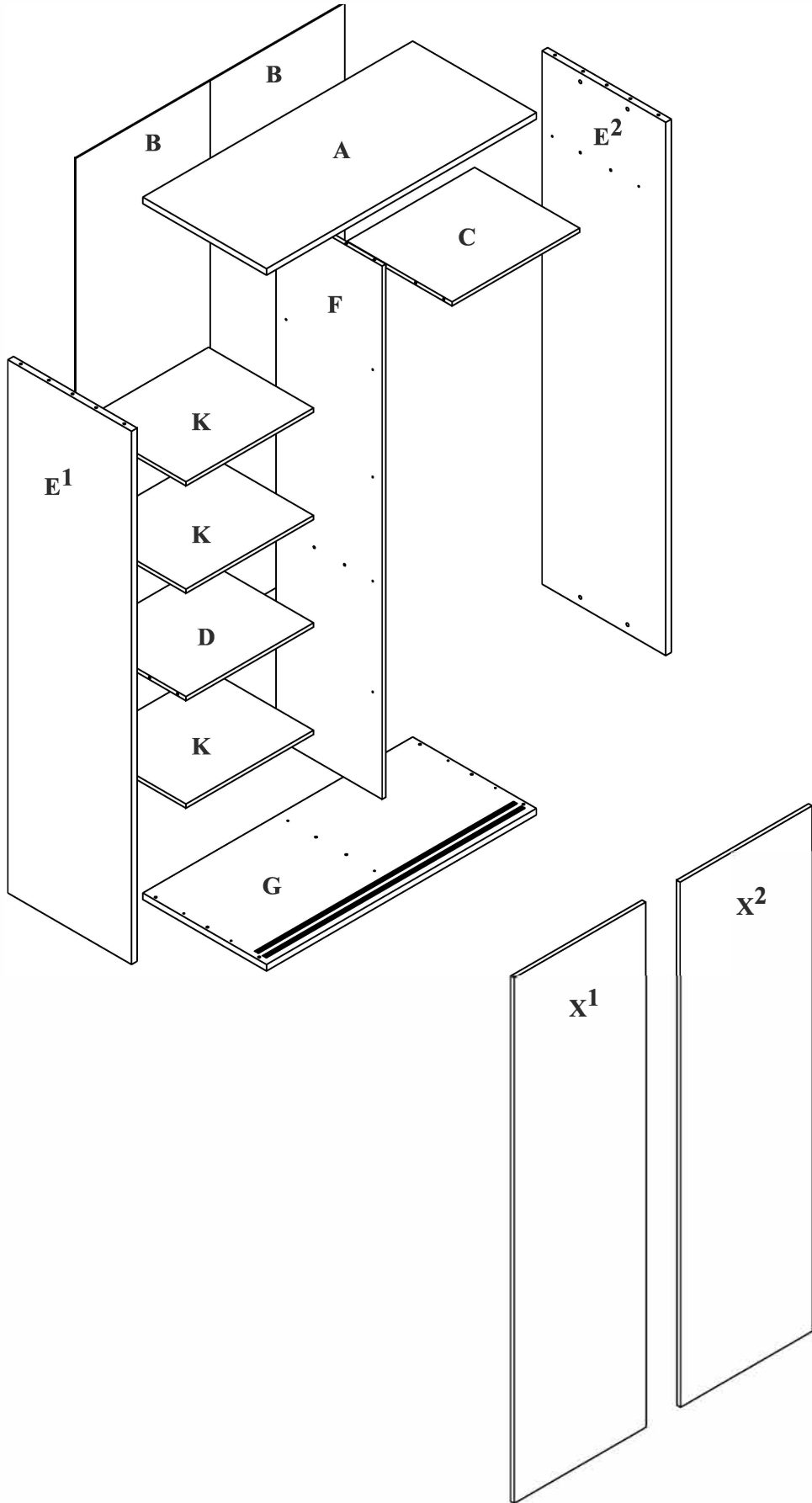
Z10



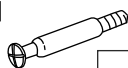

						40  x6	20  4x16 x12
1  x20	2  15x12 x12	3  15x16 x8	4  8x35 x24	9  x12	16  x2		
5  x1	7  x20	6  L=565 x5	8  L=370 x1	10  x80	17  3,5x16 x8		
11  x4	12  x4	13  L=1144 x1	14  x2	15  L=2020 x2	18  3x16 x8		

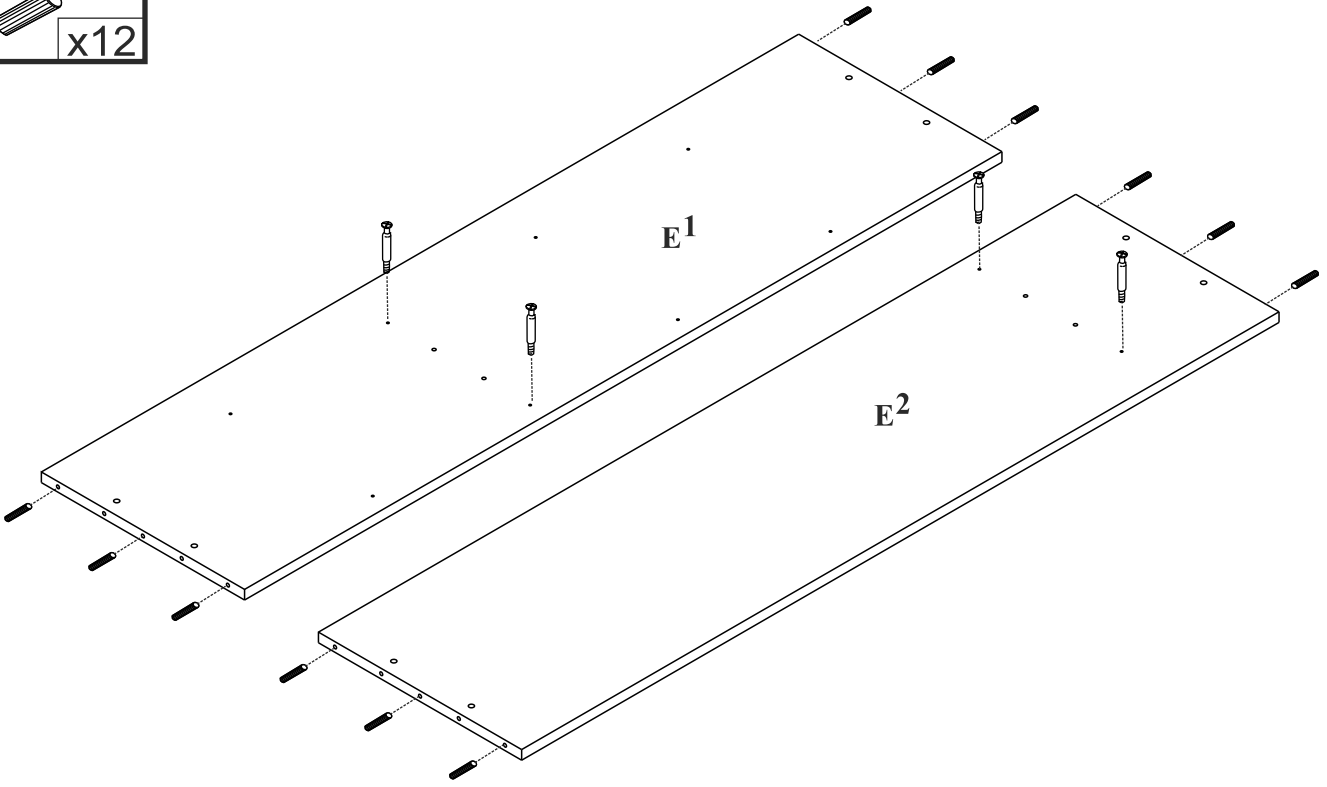
140 min.



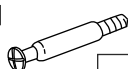



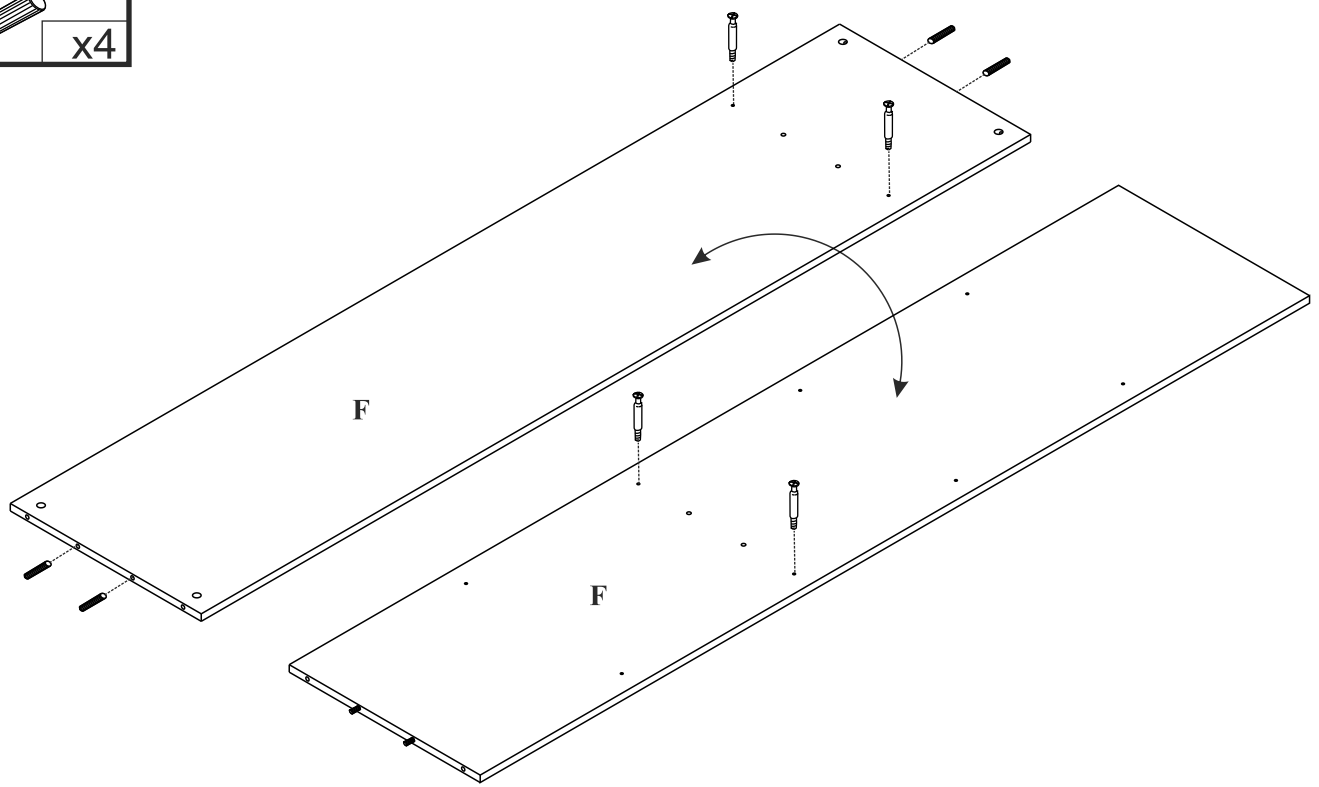
1

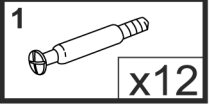
1		x4
4		8x35
		x12



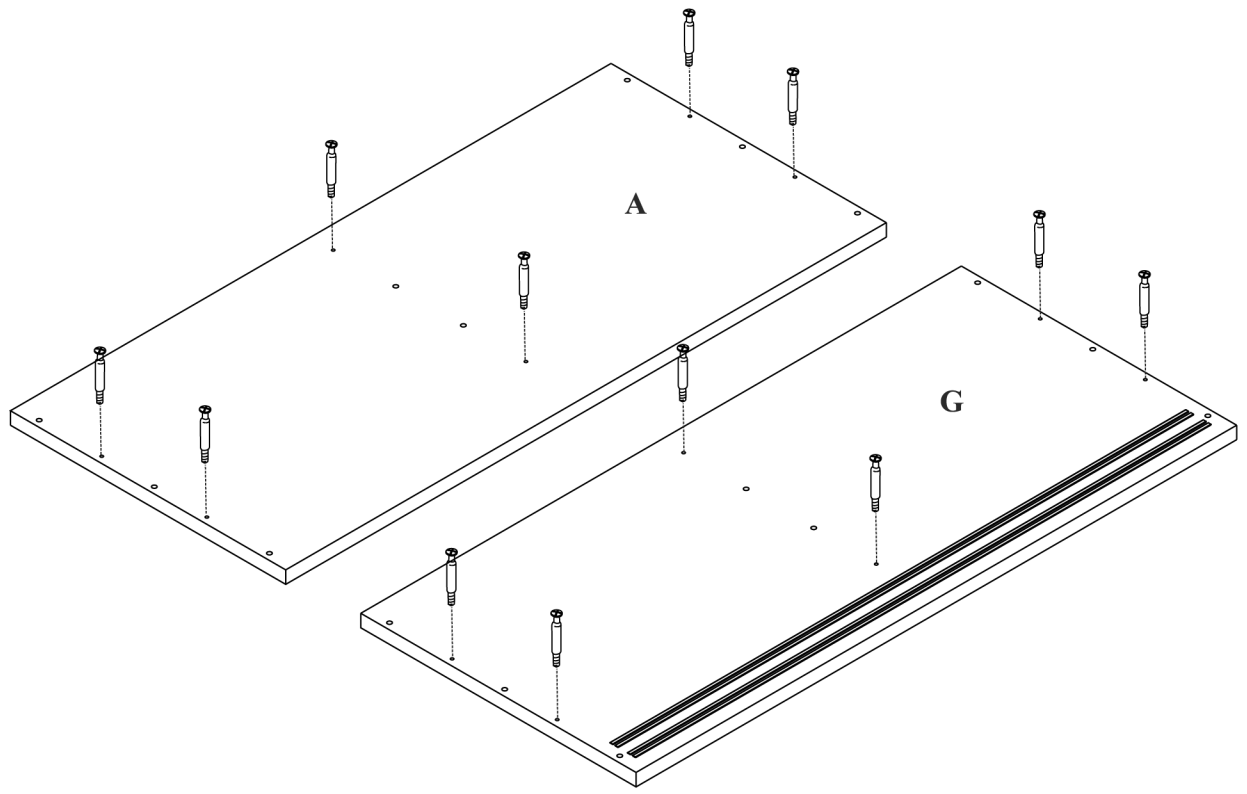
2

1		x4
4		8x35
		x4

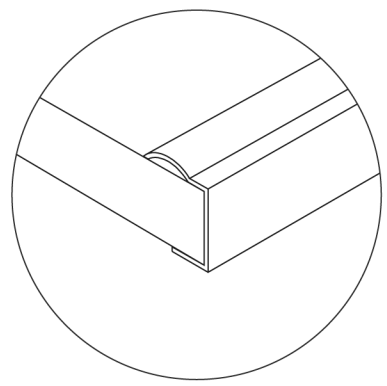
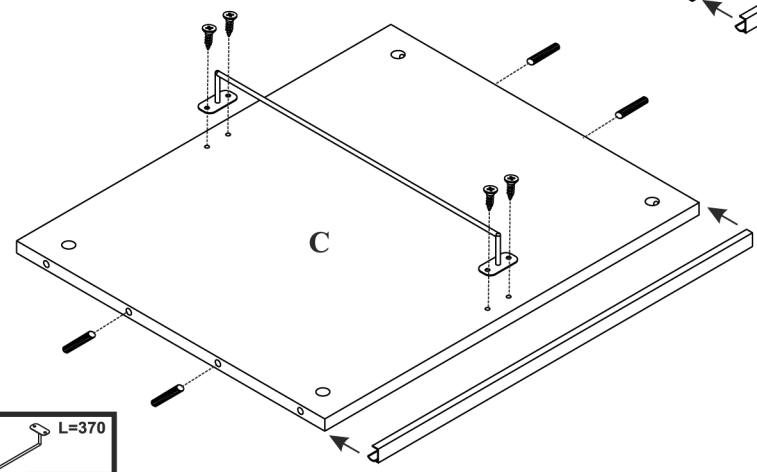
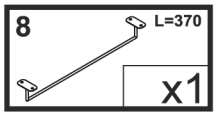
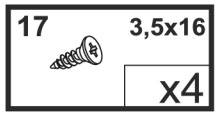
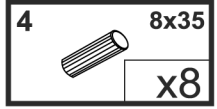
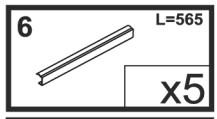
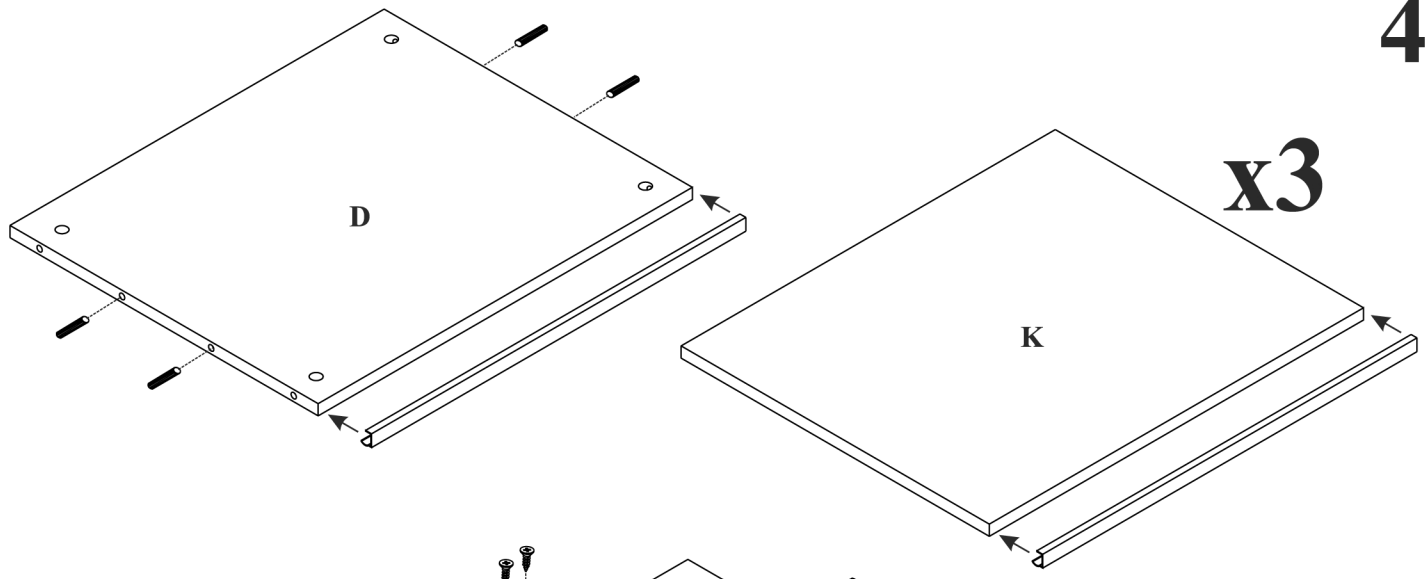




3

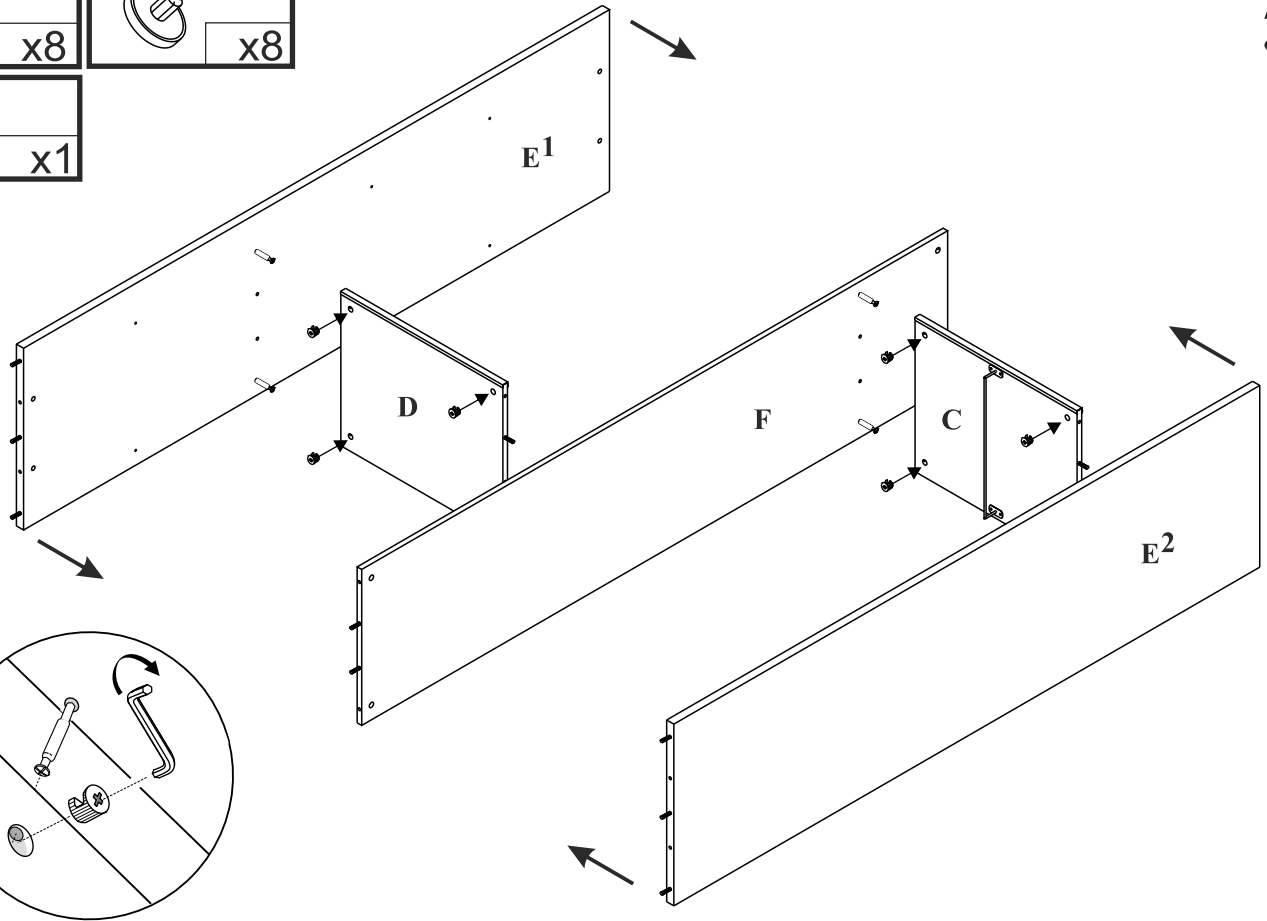


4



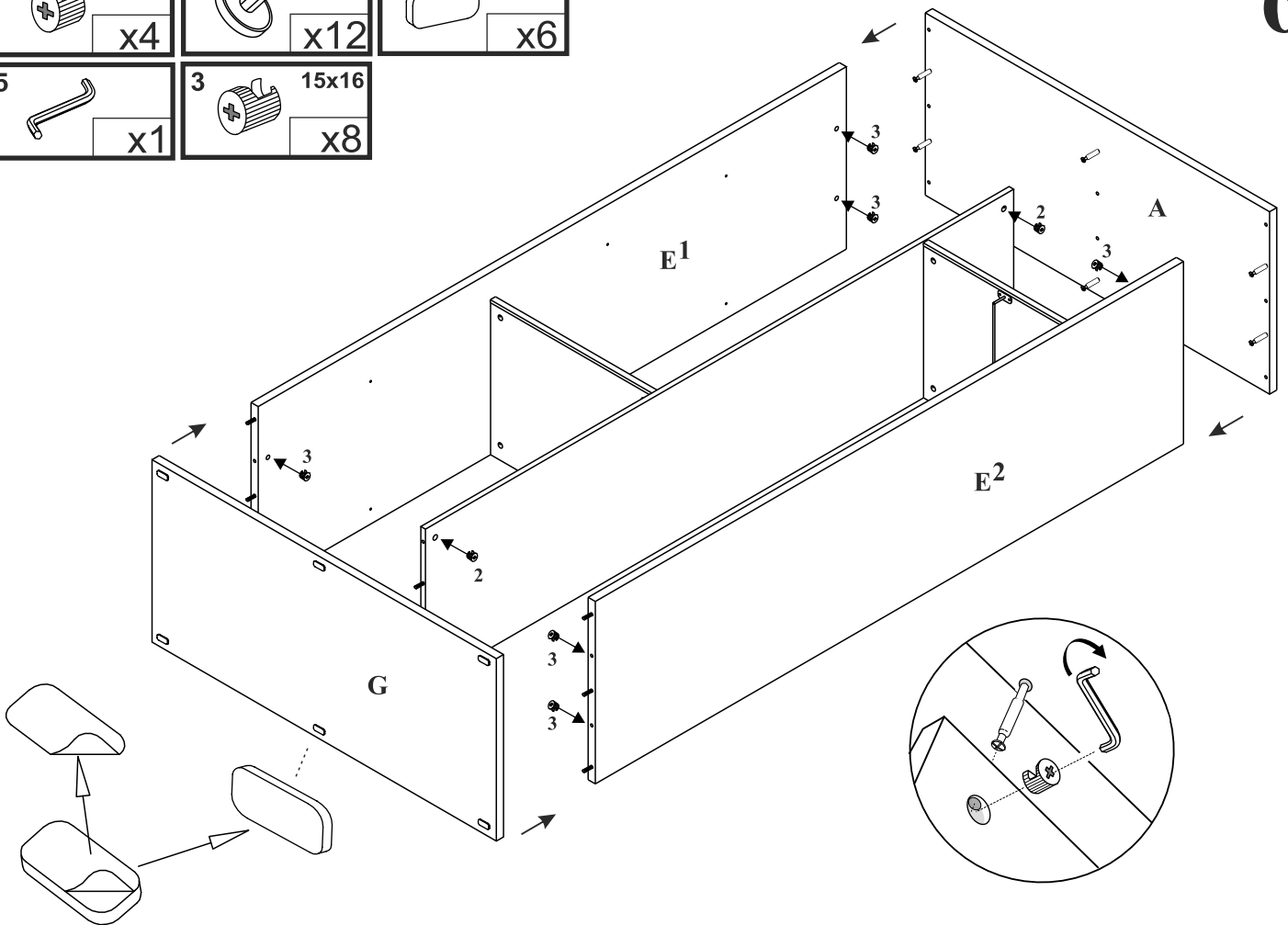
5

- 2 15x12 x8
- 7 x8
- 5 x1

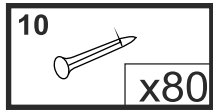
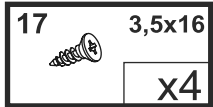
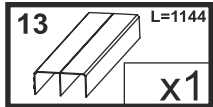
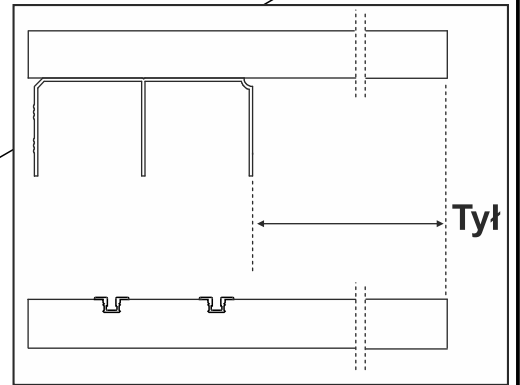
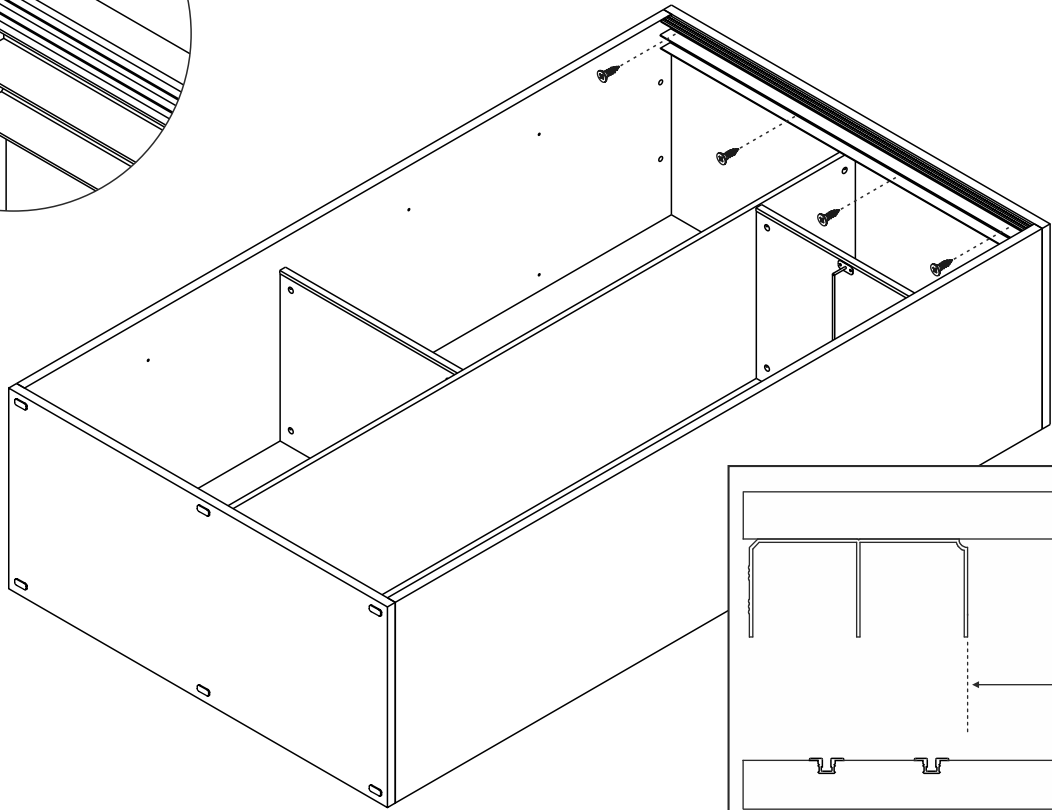
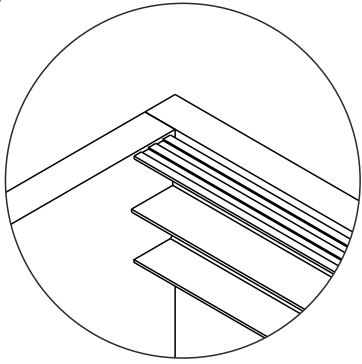


6

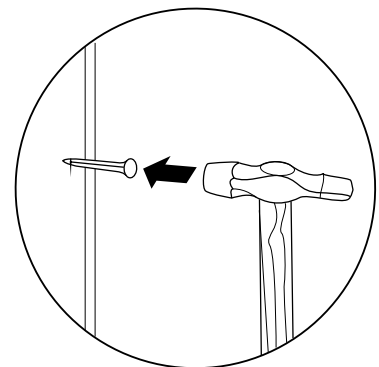
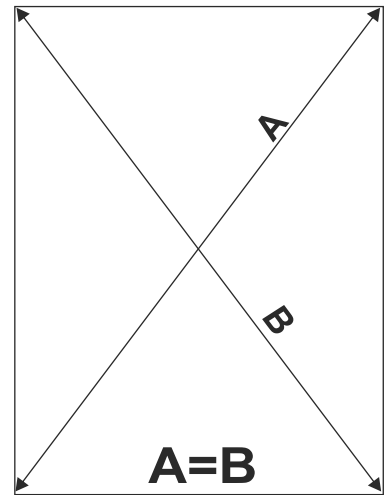
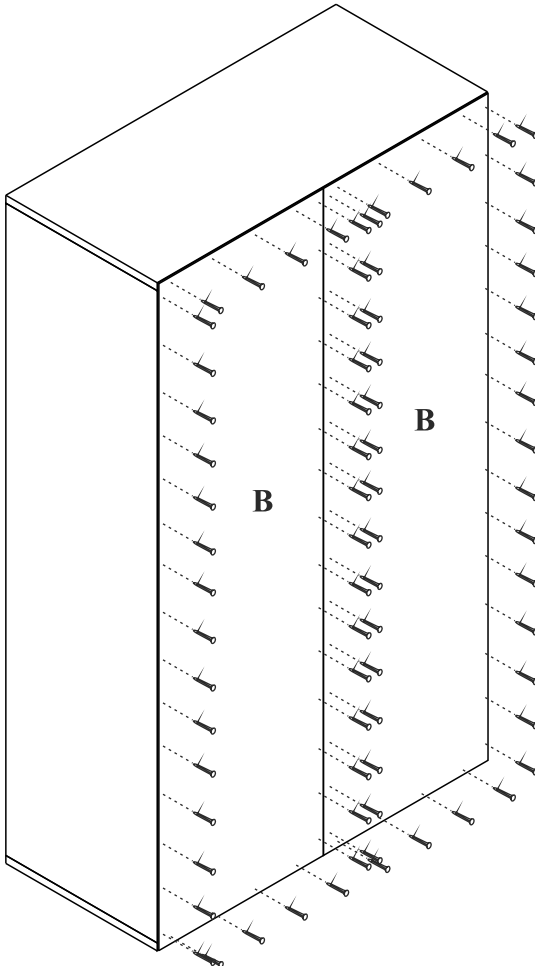
- 2 15x12 x4
- 7 x12
- 40 x6
- 5 x1
- 3 15x16 x8

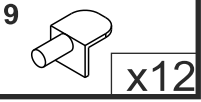


7

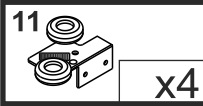
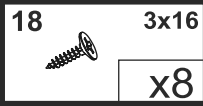
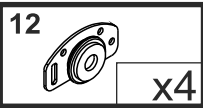
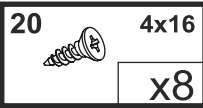
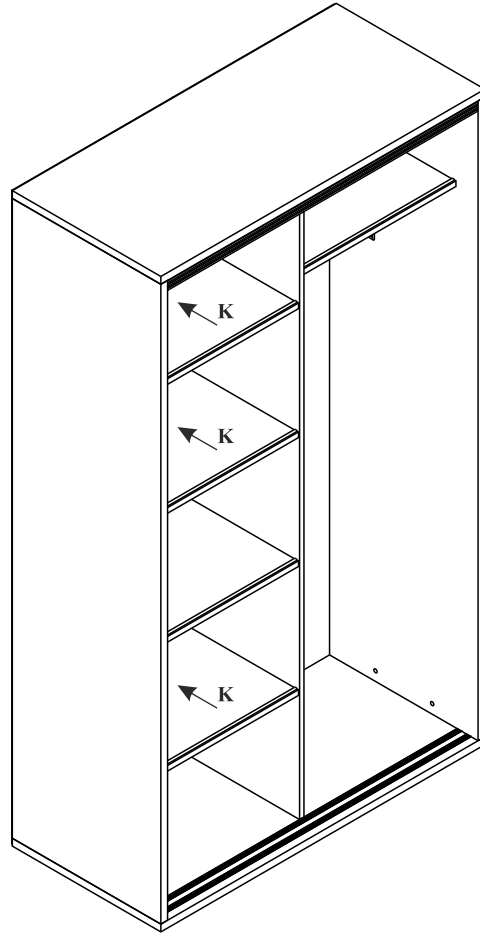
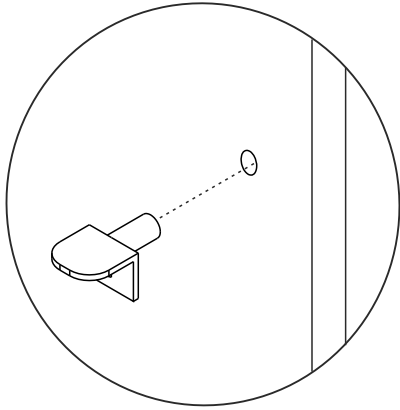


8

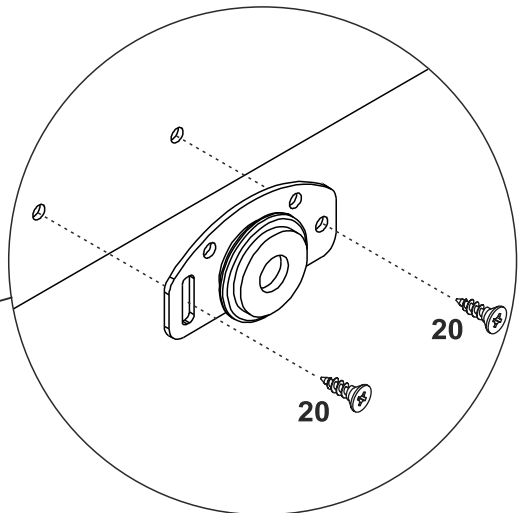
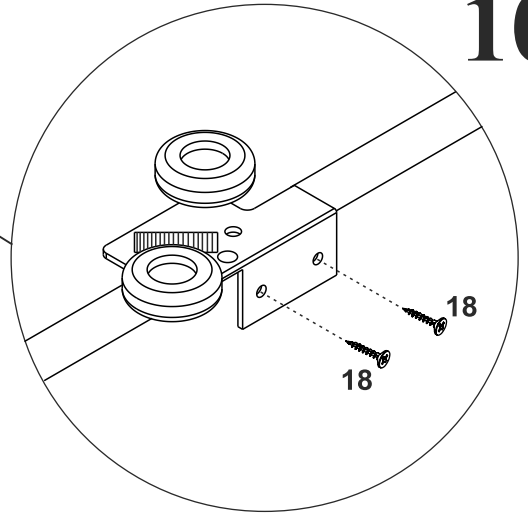
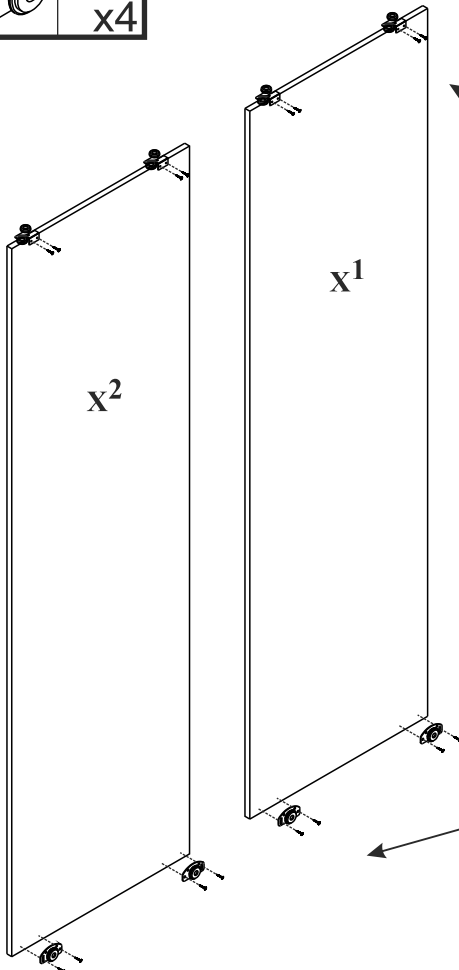




9

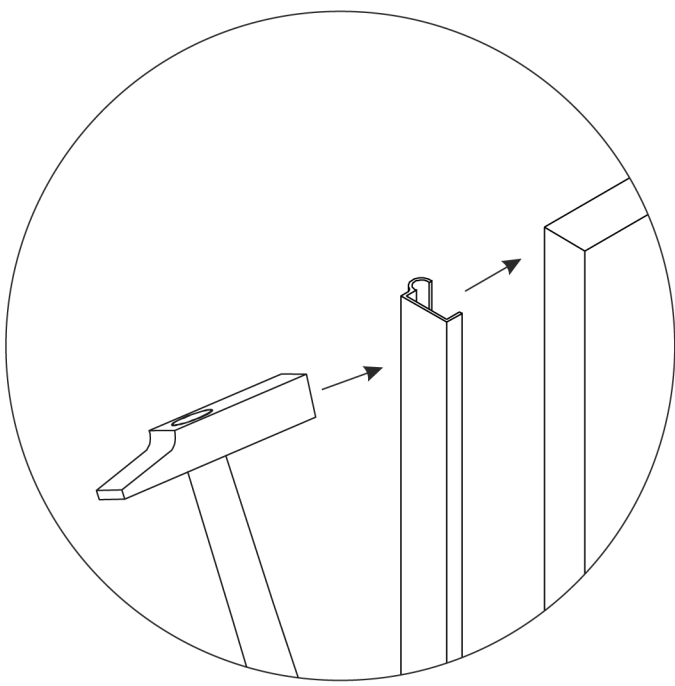
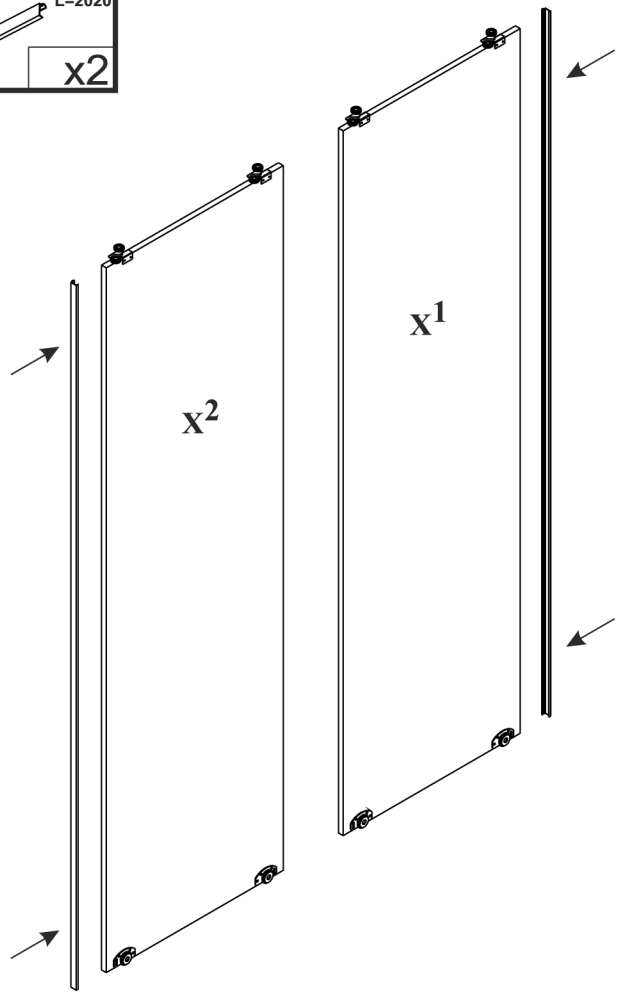


10



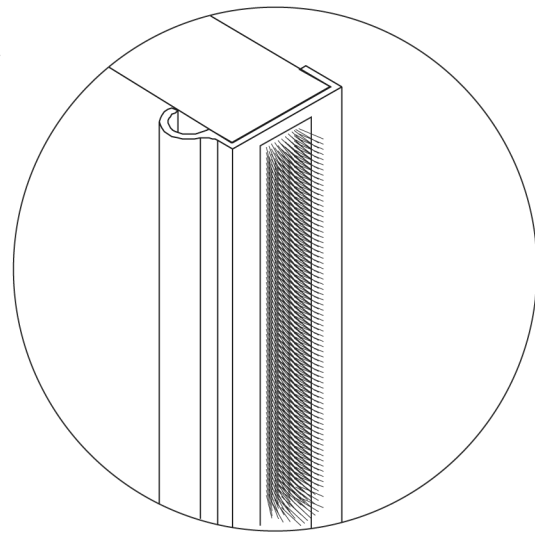
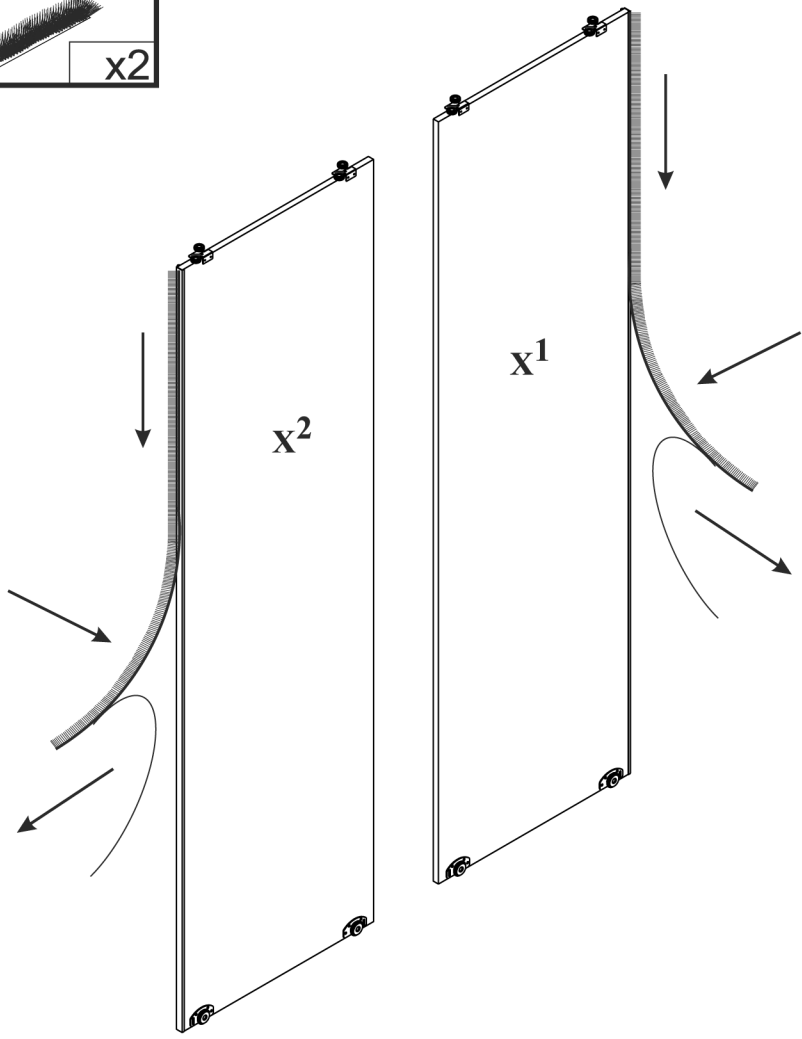
15 L=2020
x2

11

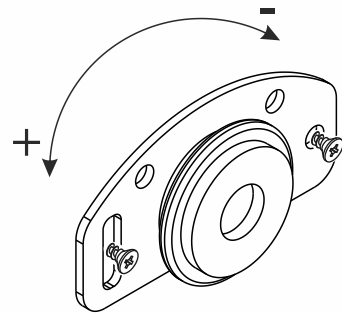
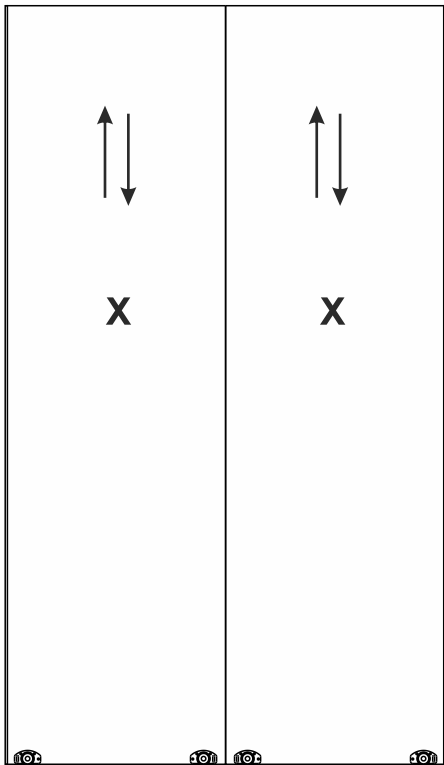
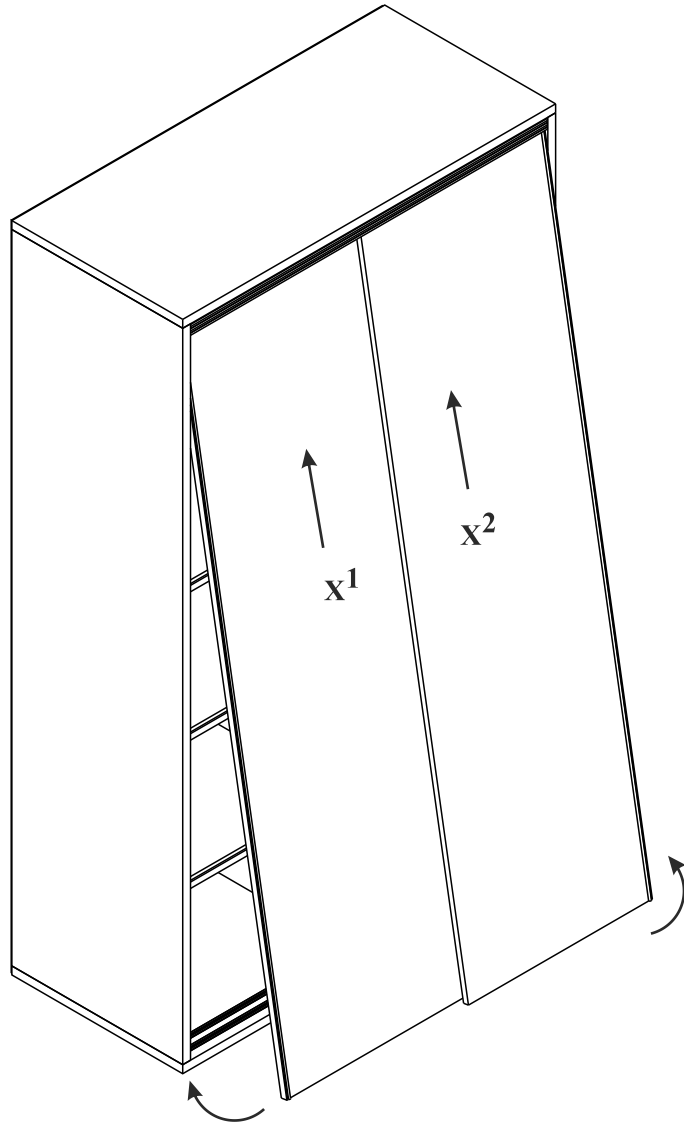


16
x2

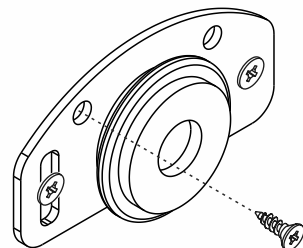
12



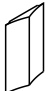
20 4x16
x4



1



2

14  x2

