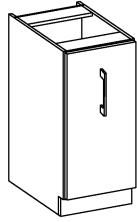
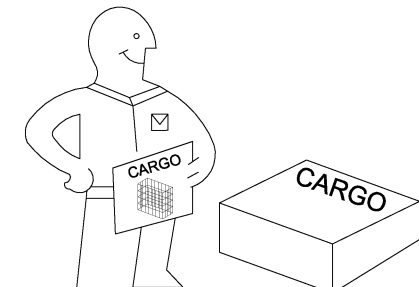
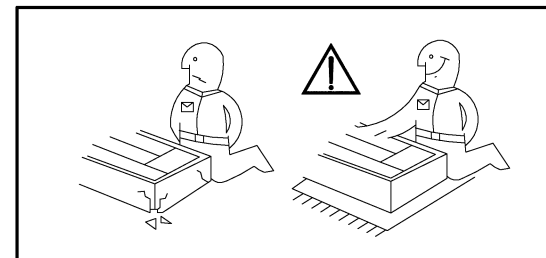
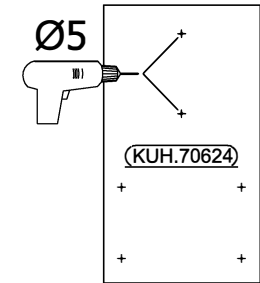
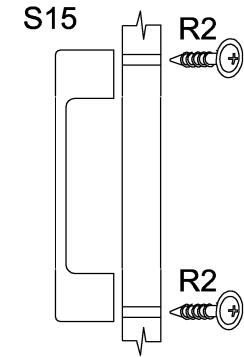
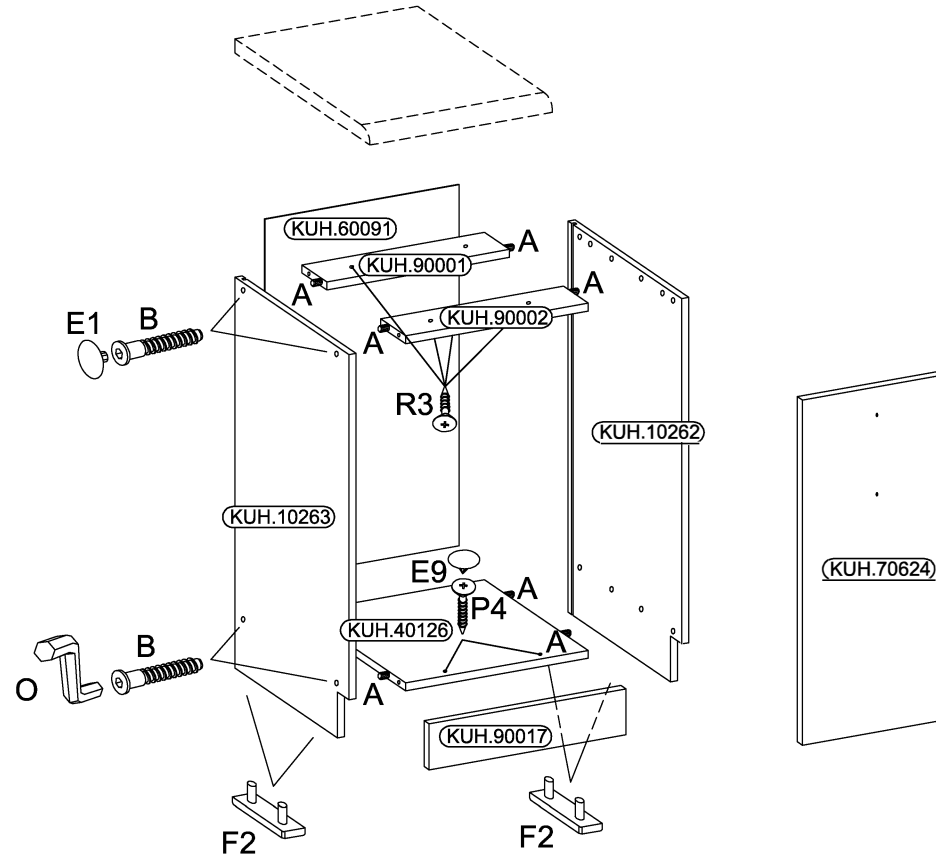
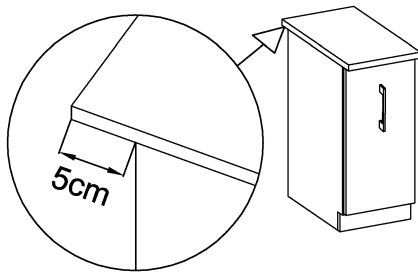
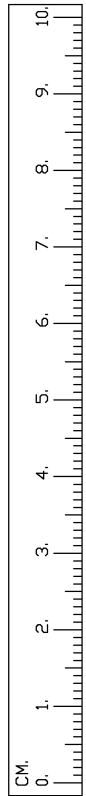
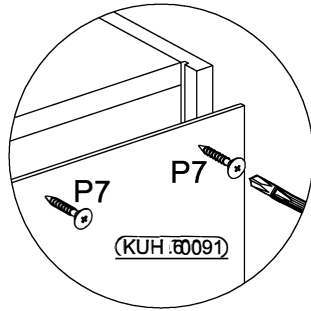
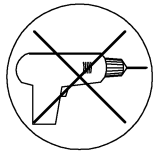
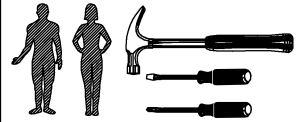


30 D CARGO 88 VIRION

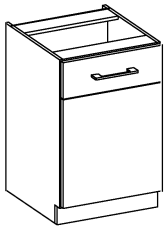




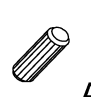
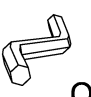
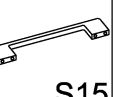



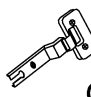
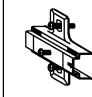
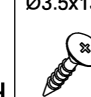
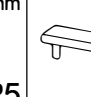





B	E1	A	O	S15	R2	P7	F2	R3	P4	E9
8	8	8	1	1	2	10-15	4	4	2	2

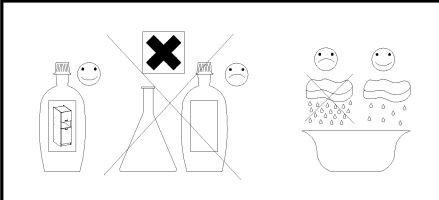
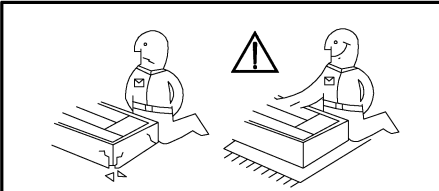
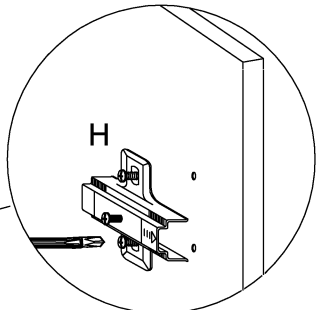
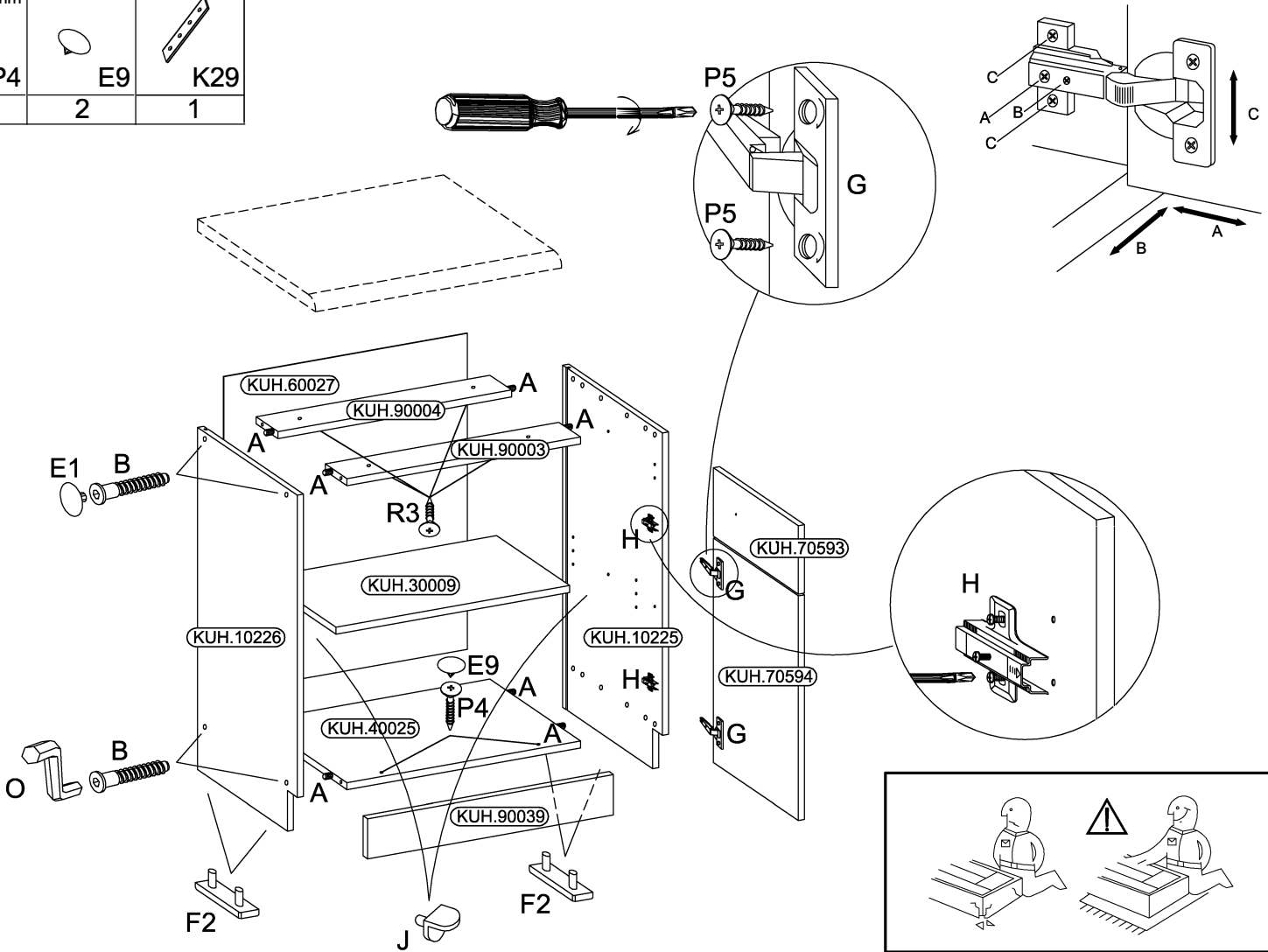
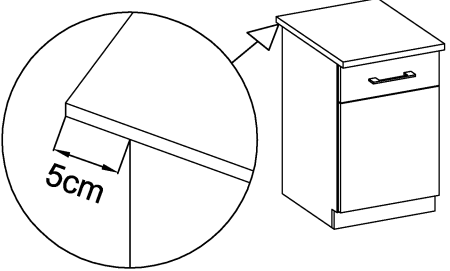
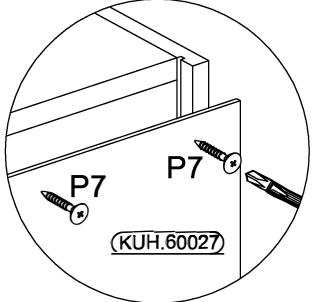
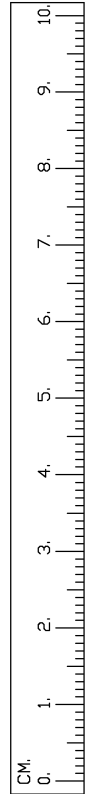
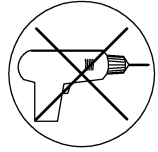
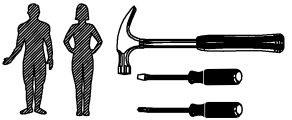


ISM-KUH-00758

40 D 1F 88 VIRION

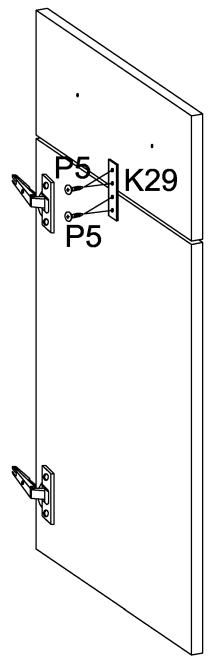
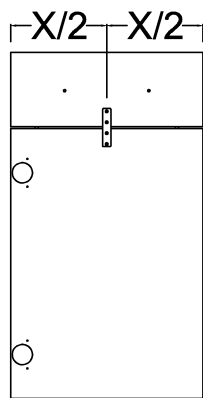
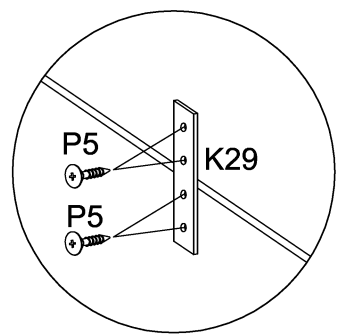
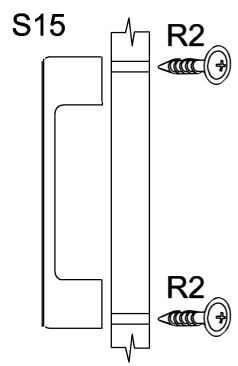
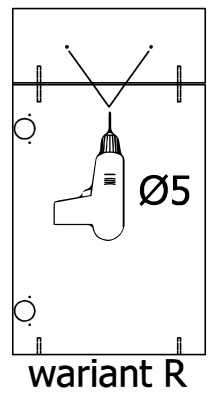
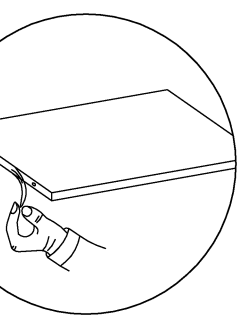
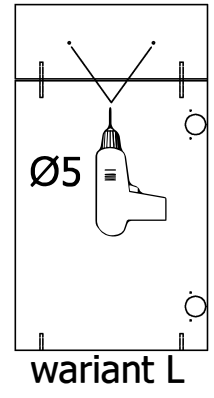
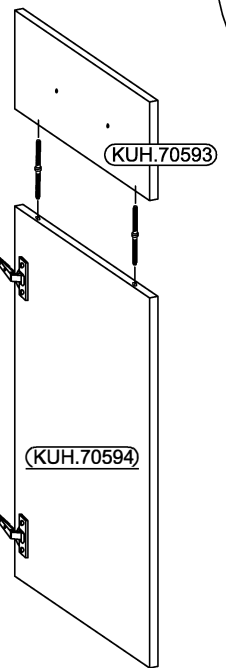
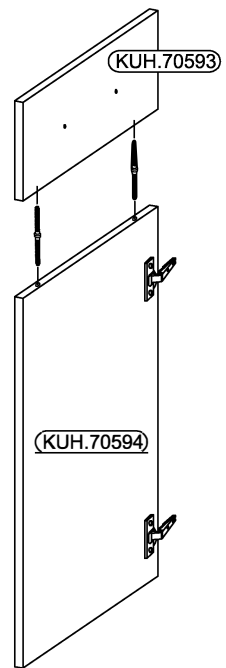
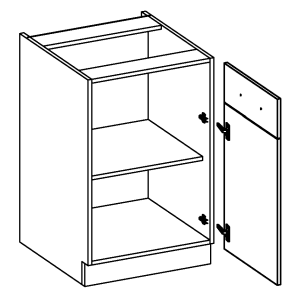
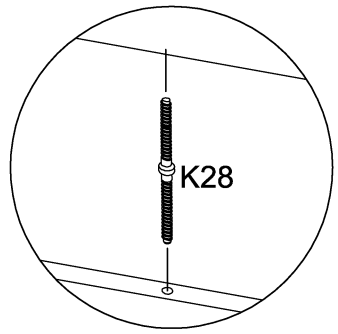
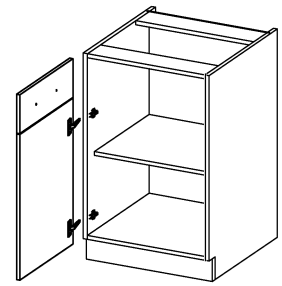
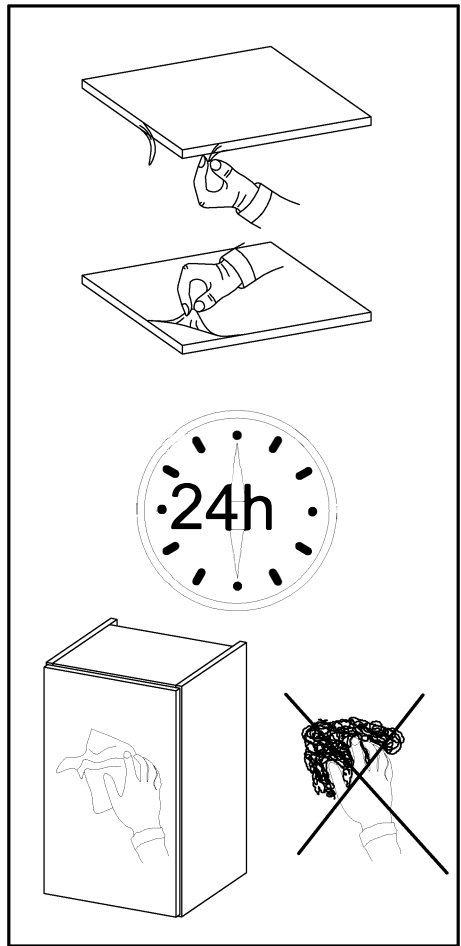
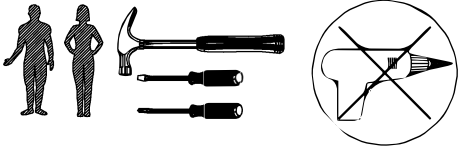
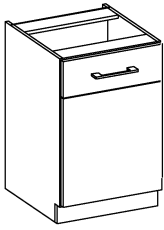


 B	 E1	 A	 O	 S15	 R2	 P7	 J	 G	 H	 P5	 F2	 K28
8	8	8	1	1	2	10-15	4	2	2	8	4	2
 R3	 P4	 E9	 K29									
4	2	2	1									

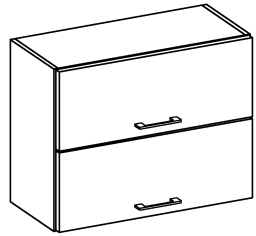









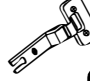



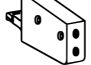

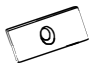
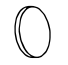
ISM-KUH-00760

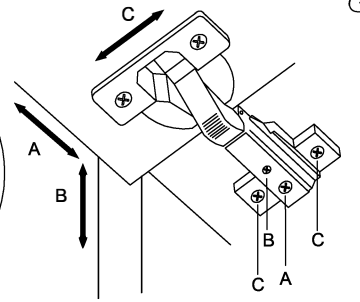
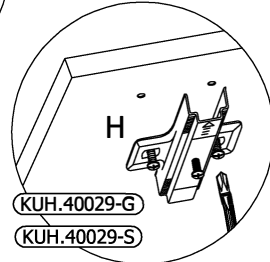
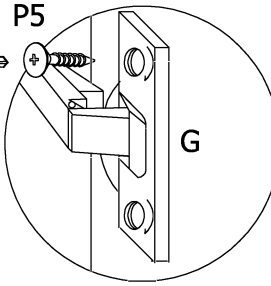
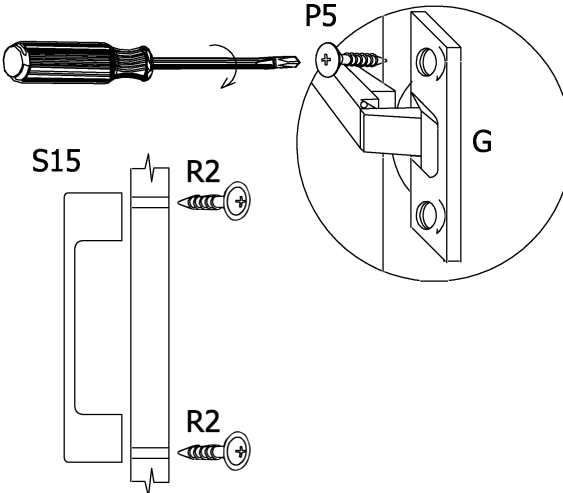
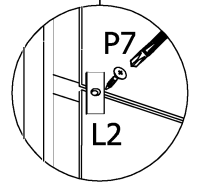
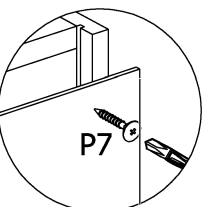
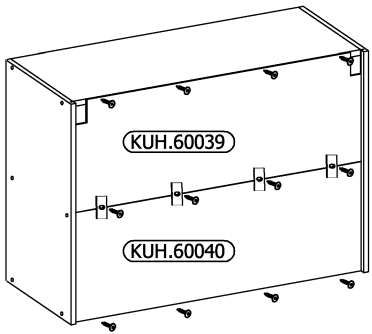
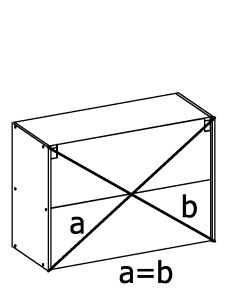
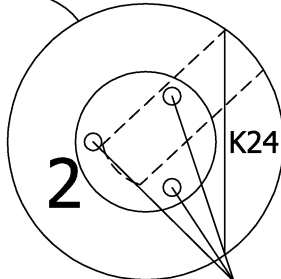
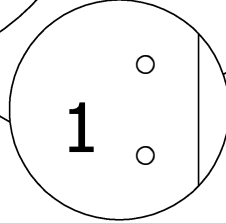
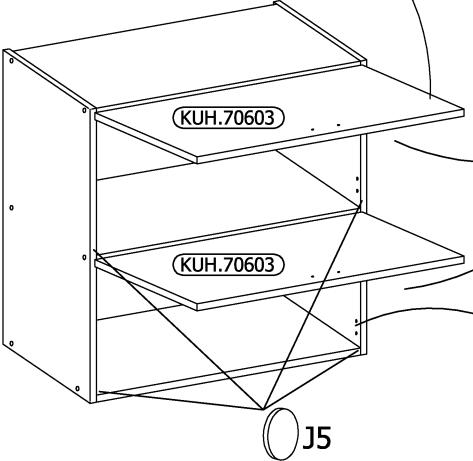
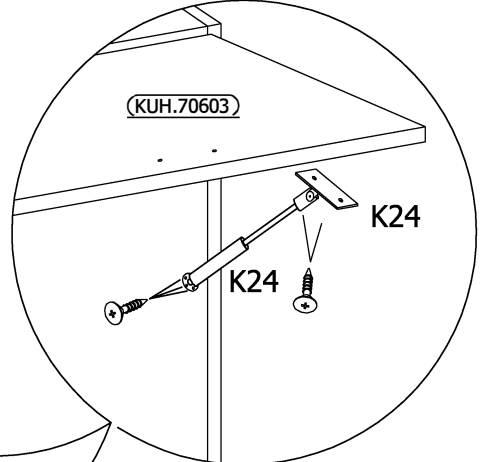
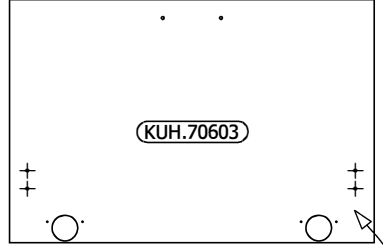
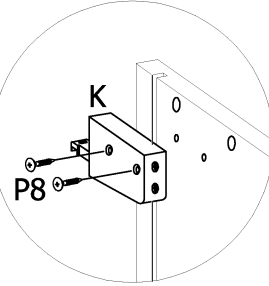
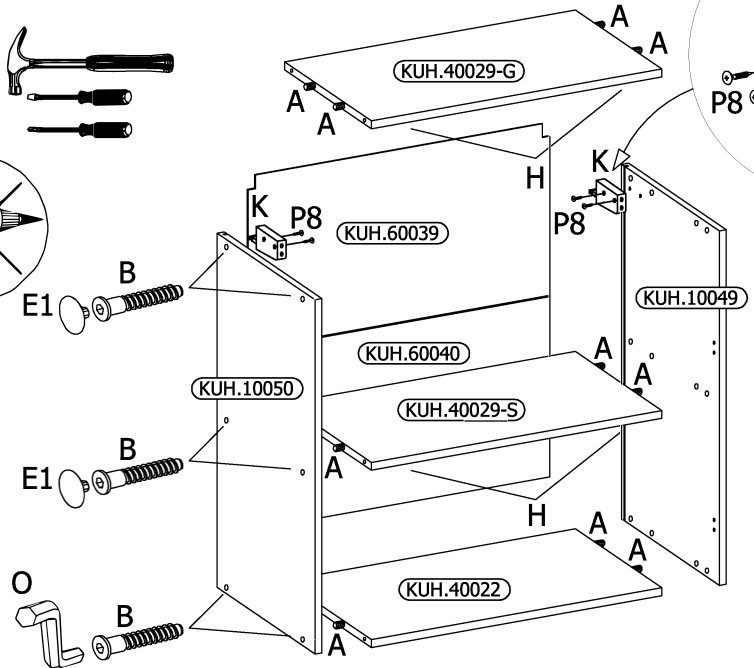
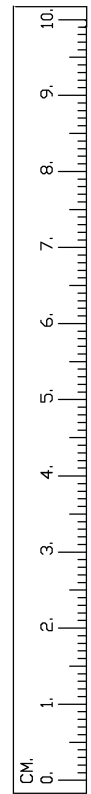
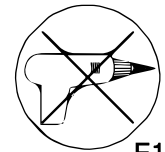
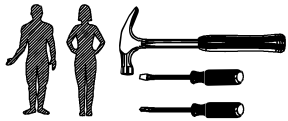
40 D 1F 88 VIRION



80 GU-72 2F VIRION

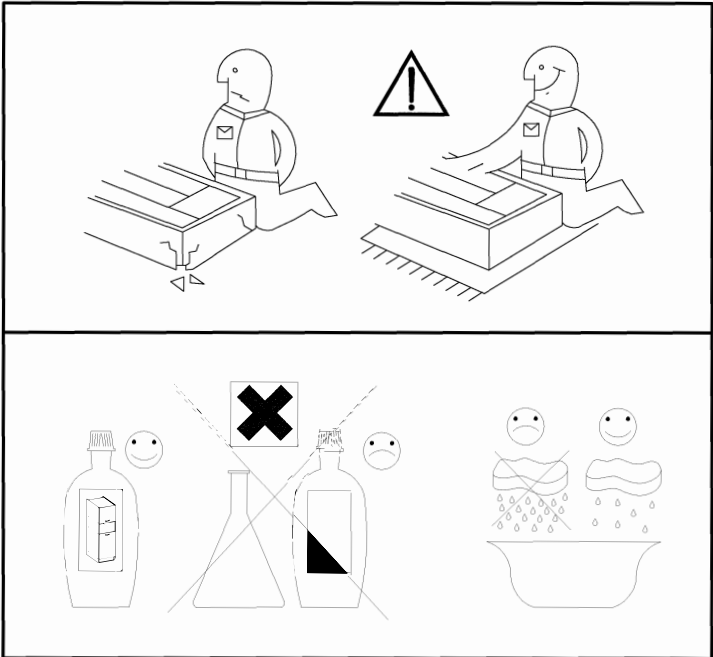
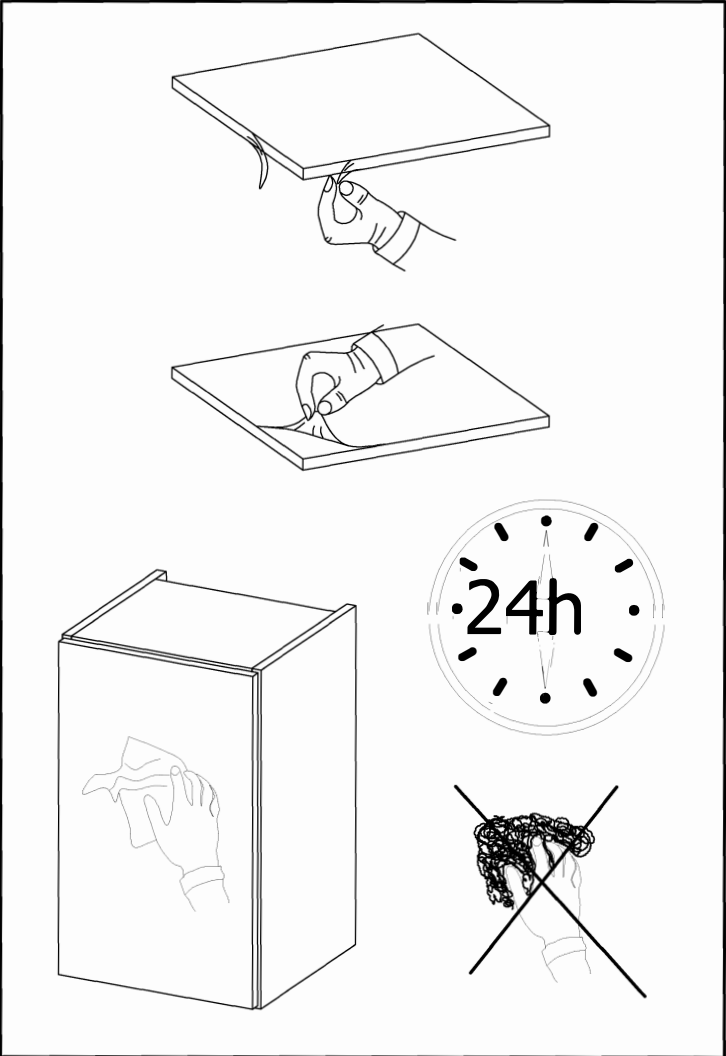
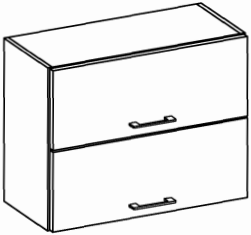


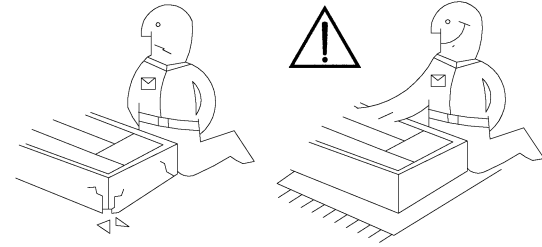
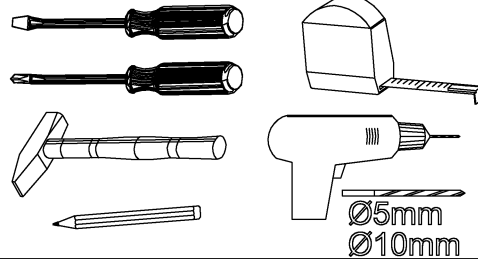
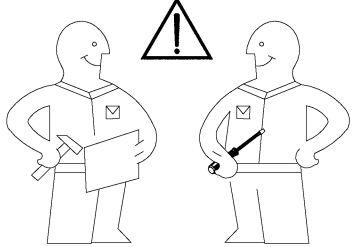
 B	 E1	 A	 O	 S15	 R2	 P7	 G	 H	 P5	 K24	 K	 P8
12	12	12	1	2	4	10-15	4	4	8	4	2	4
 L2	 J5											
4	4											



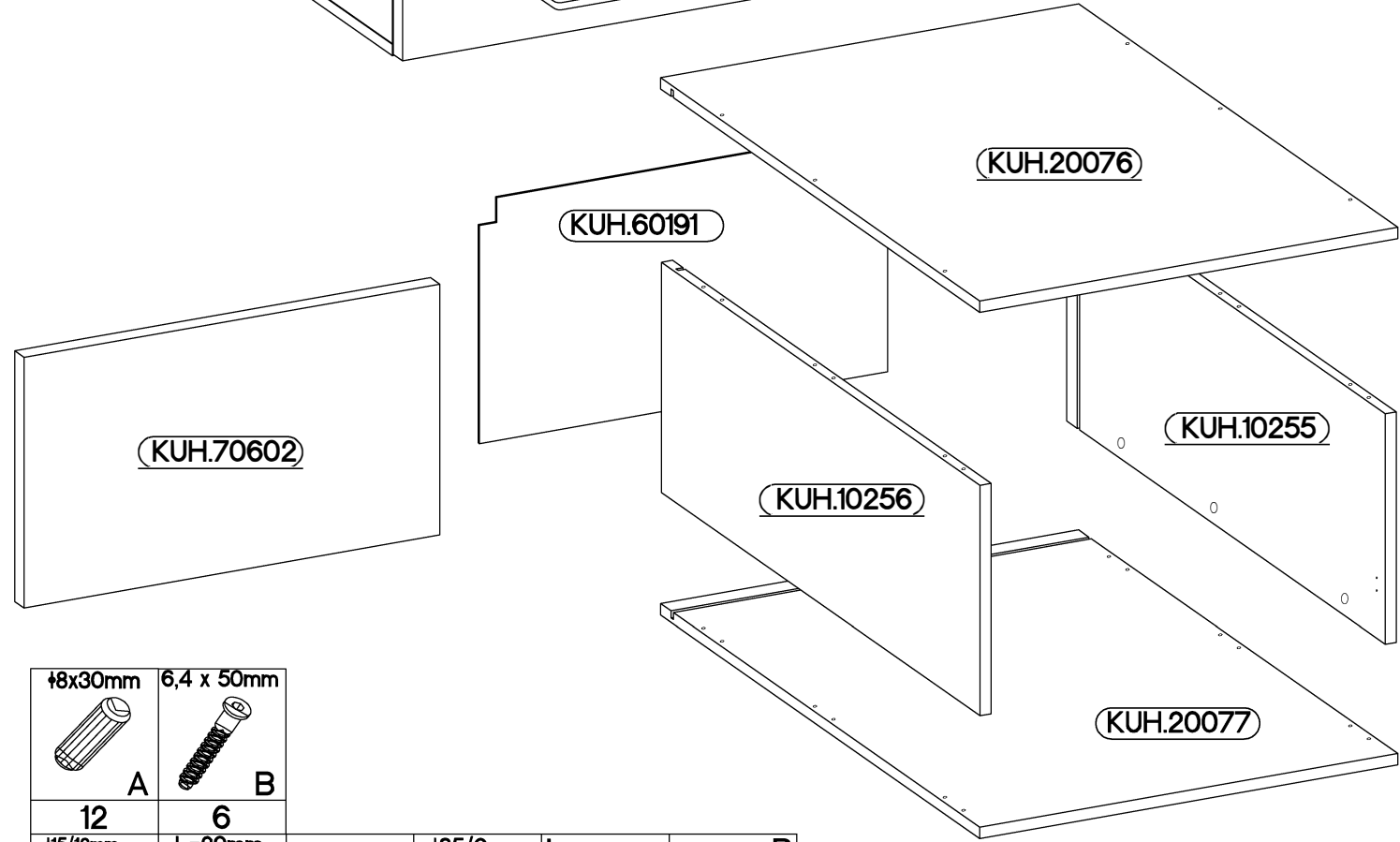
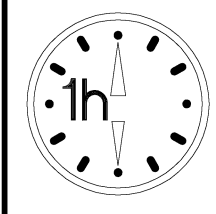
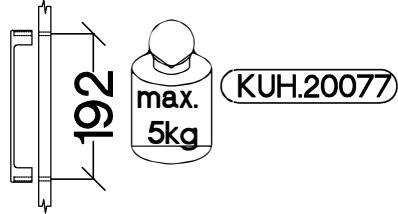
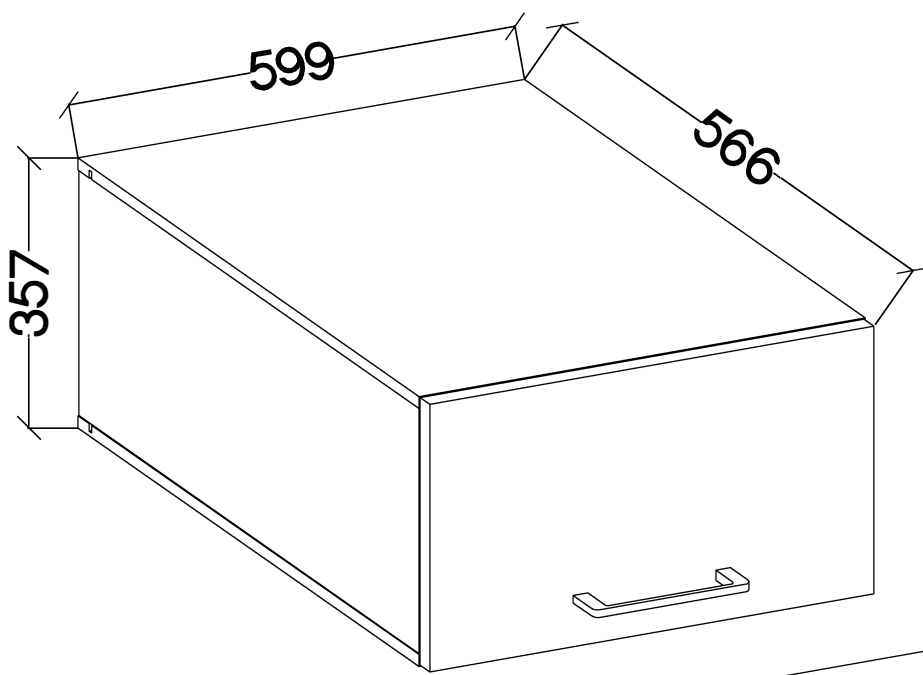
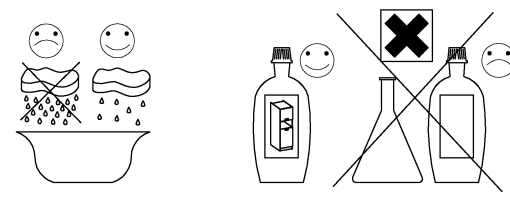
ISM-KUH-00764

80 GU-72 2F VIRION





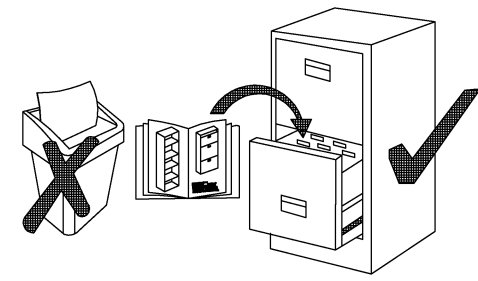
60 NAGU-36 VIRION



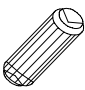
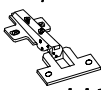

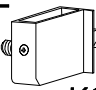
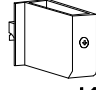
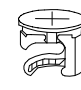

 A 12	 B 6
--------------------	-------------------

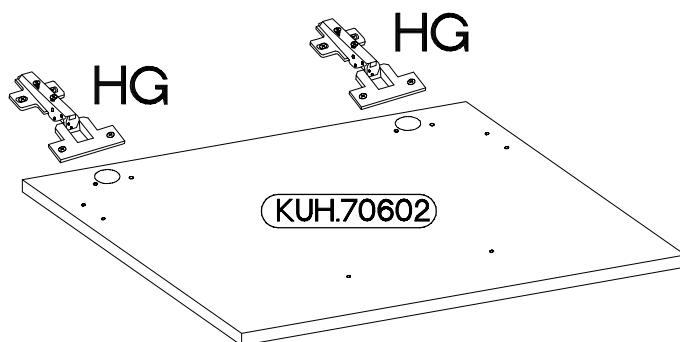
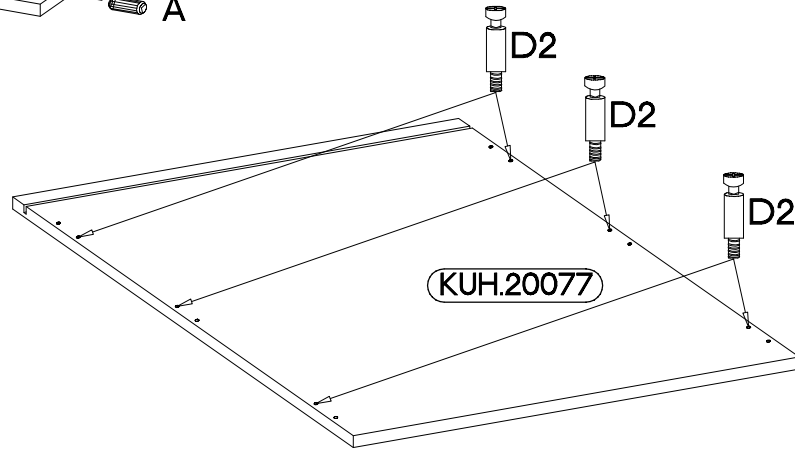
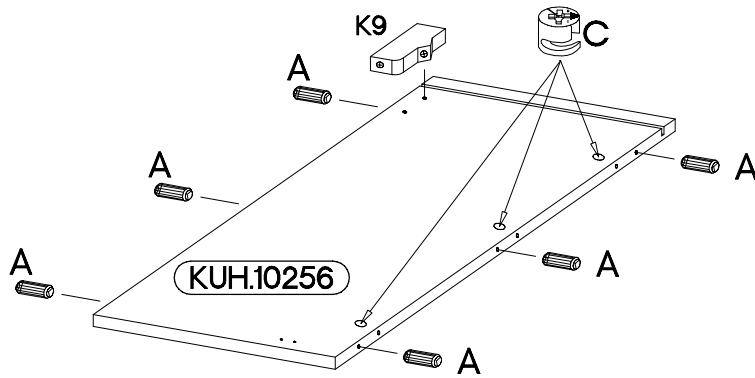
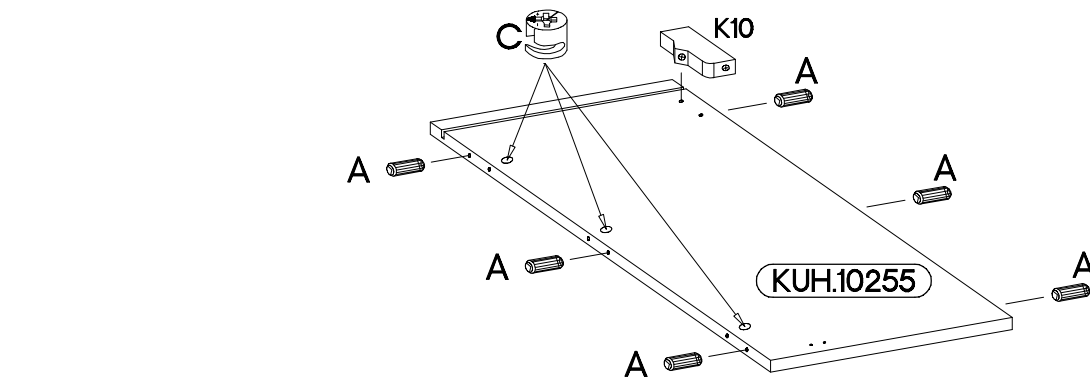
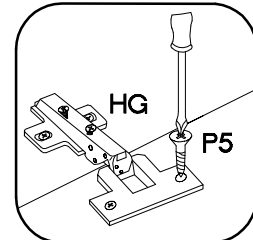
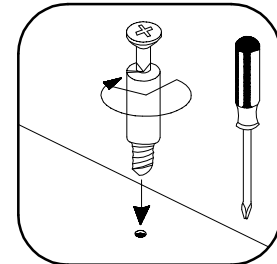
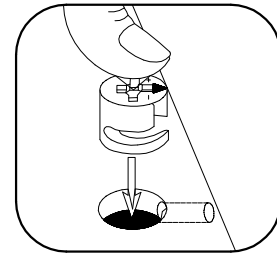
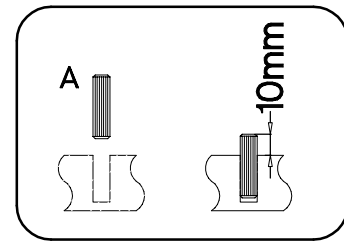
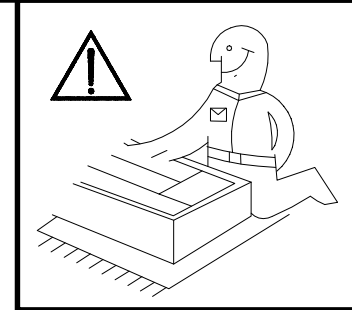
 C 6	 D2 6	 E 6	 HG 2	 K9 1	 K10 1
-------------------	--------------------	-------------------	--------------------	--------------------	---------------------

 K24 2	 L 6	 O 1	 P5 4	 R2 2	 S15 1
---------------------	-------------------	-------------------	--------------------	--------------------	---------------------

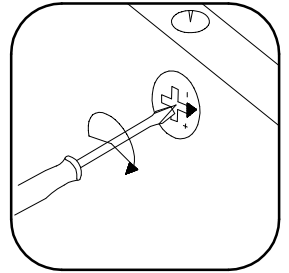
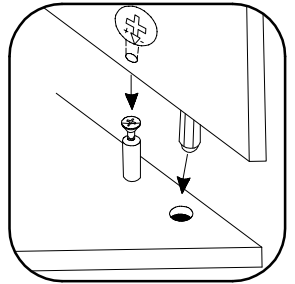
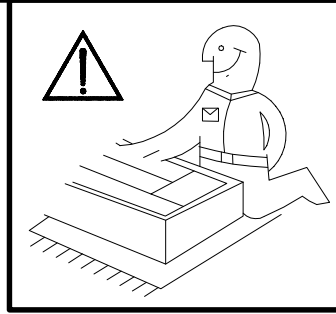
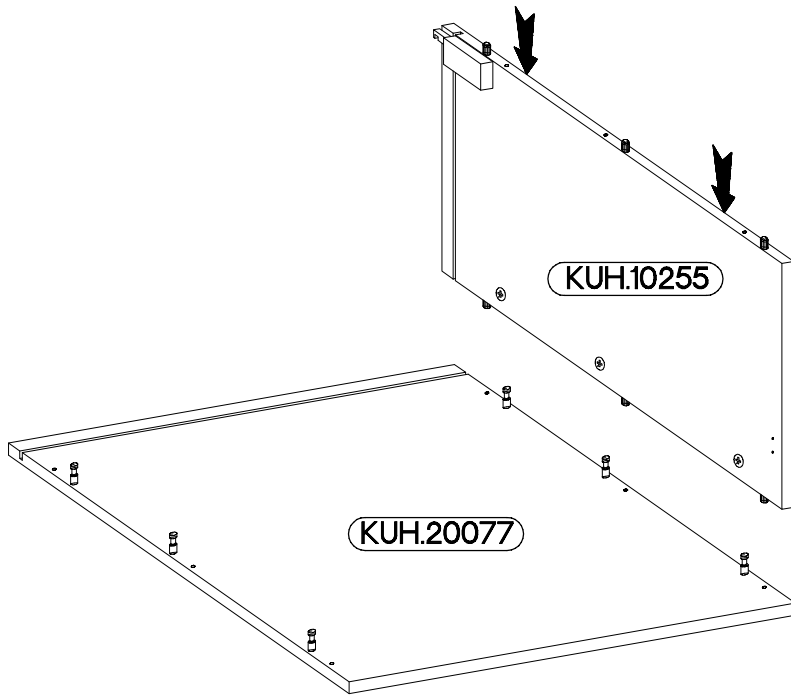


ISM-KUH-00959

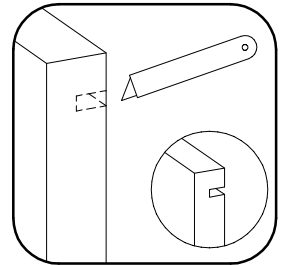
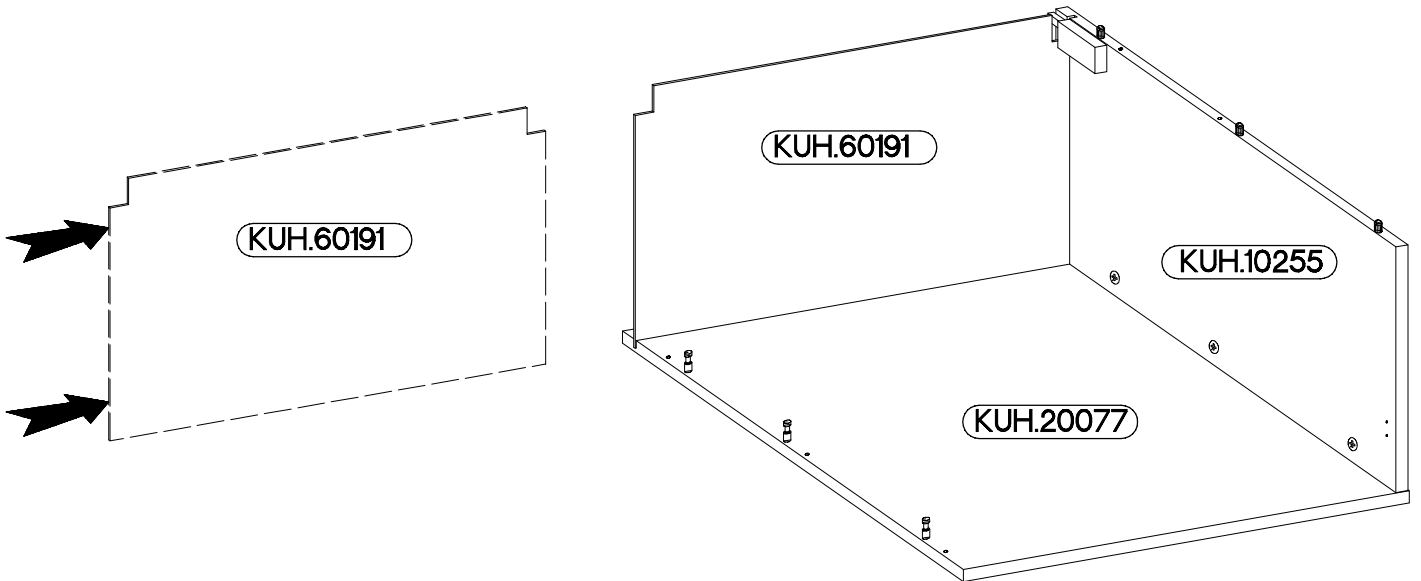
$\varnothing 8 \times 30 \text{mm}$  A 12	$\varnothing 35/0 \text{mm}$  HG 2	$\varnothing 3.5 \times 13 \text{mm}$  P5 4	L  K9 1	R  K10 1	$\varnothing 15/12 \text{mm}$  C 6	L=20mm  D2 6
--	---	--	--	---	---	--



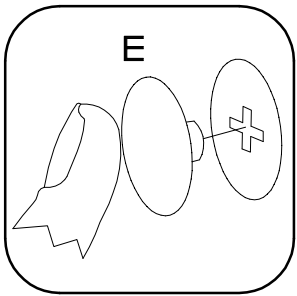
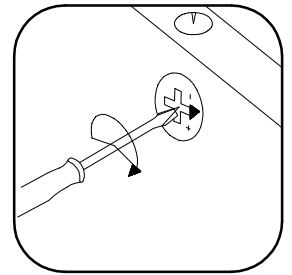
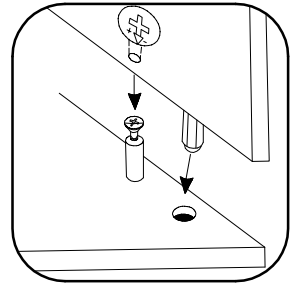
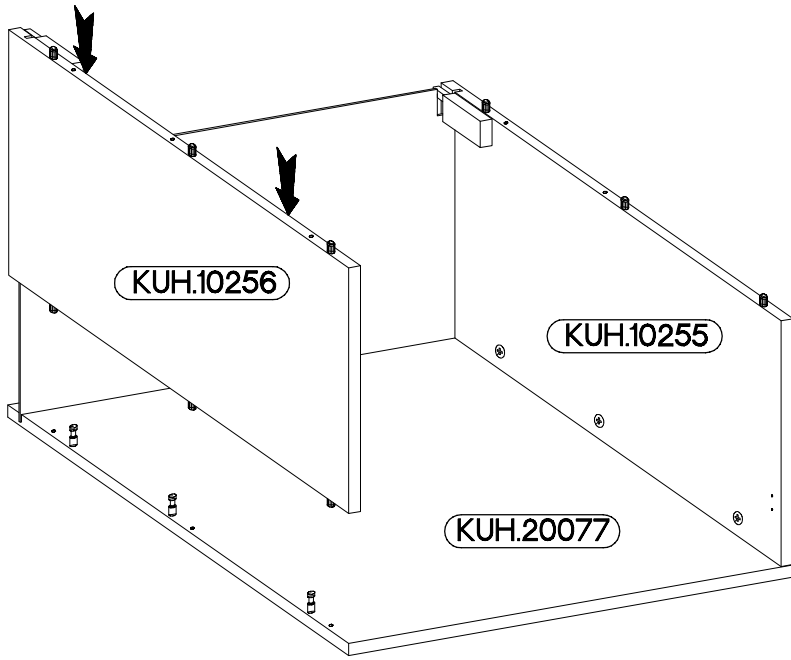
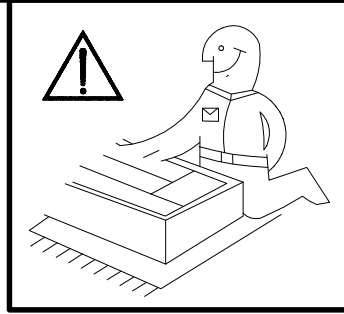
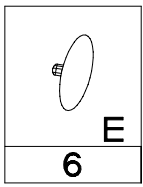
2



3

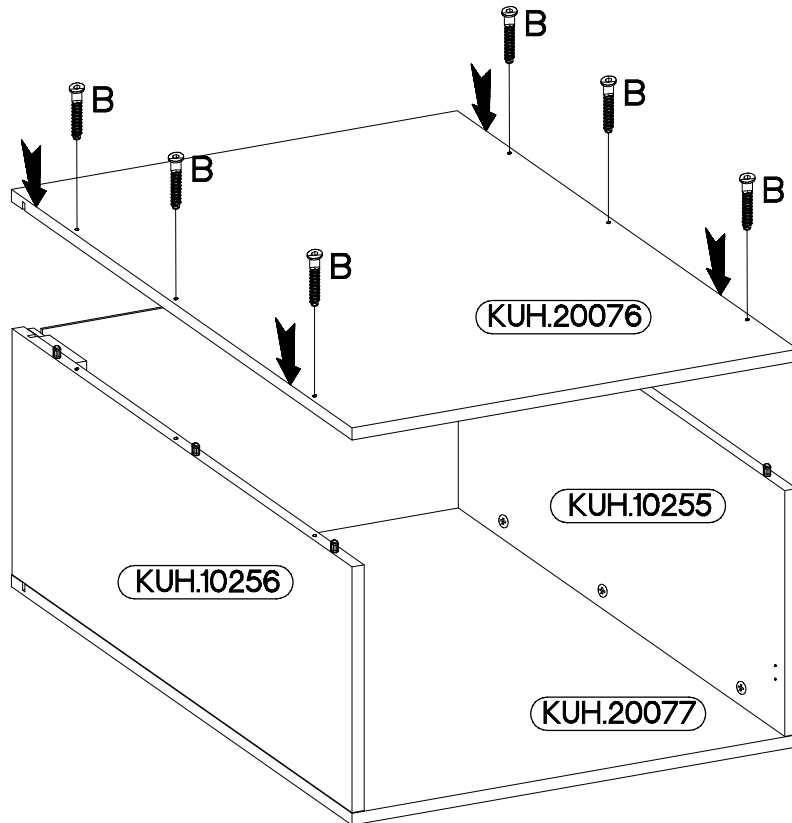
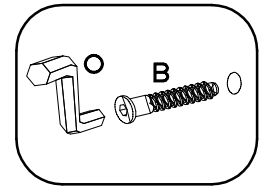
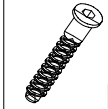


4

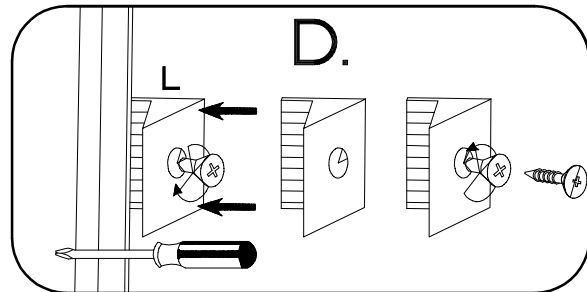
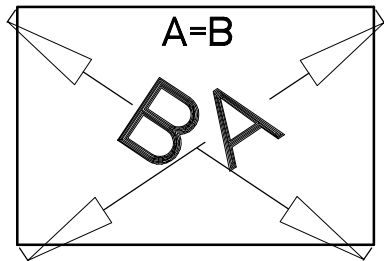
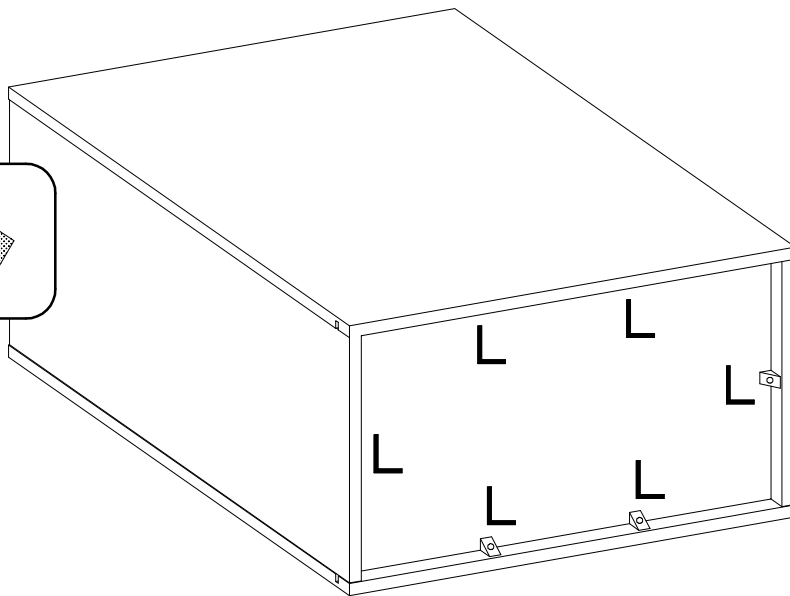
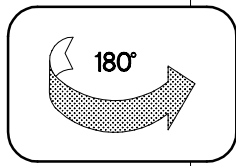
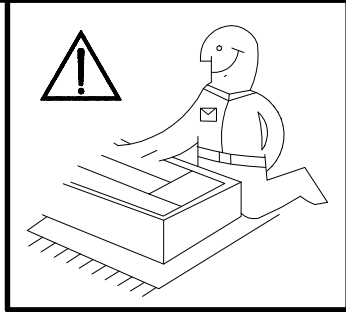
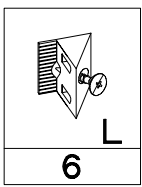


5

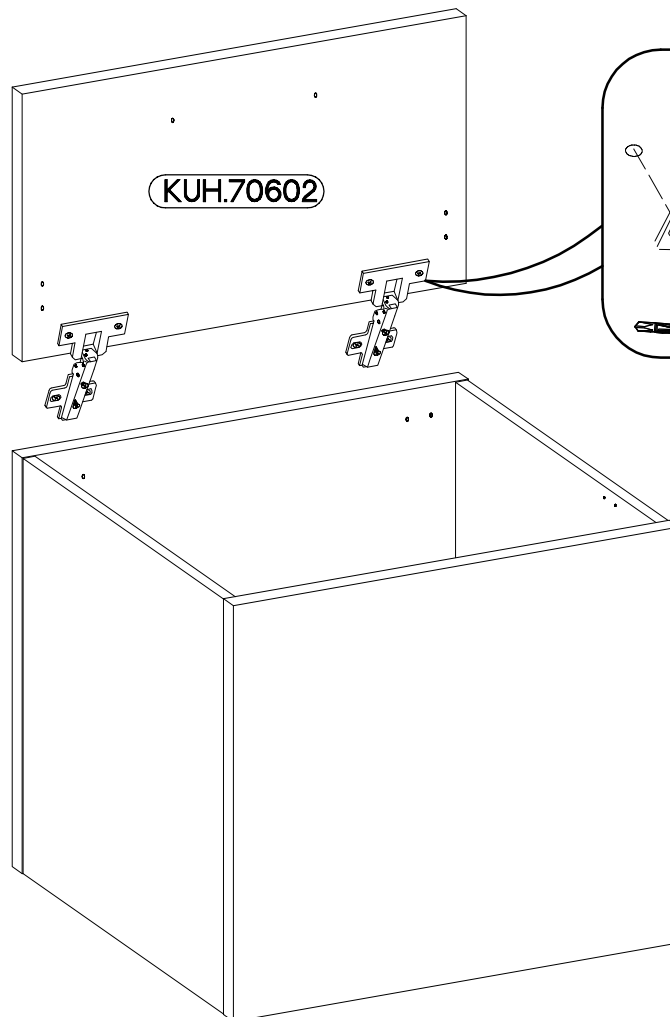
6,4 x 50mm



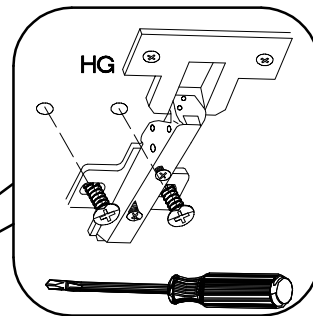
6



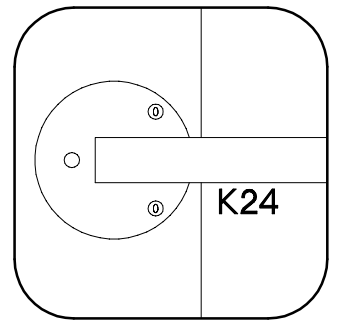
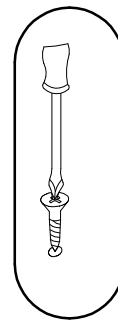
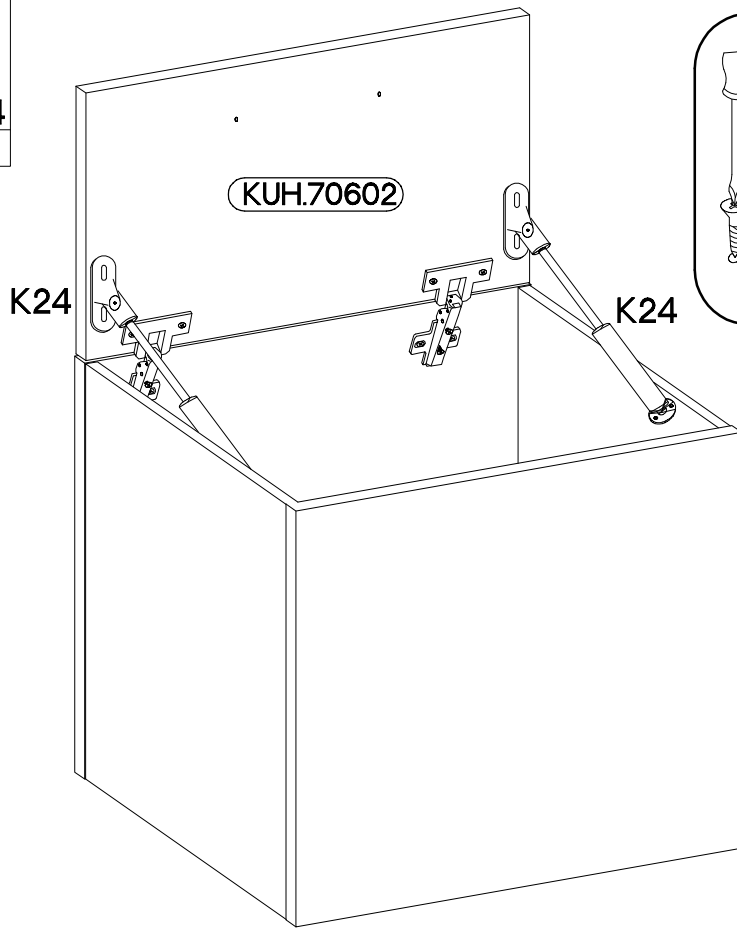
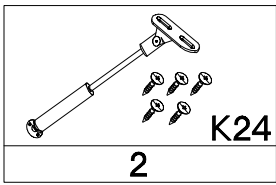
7



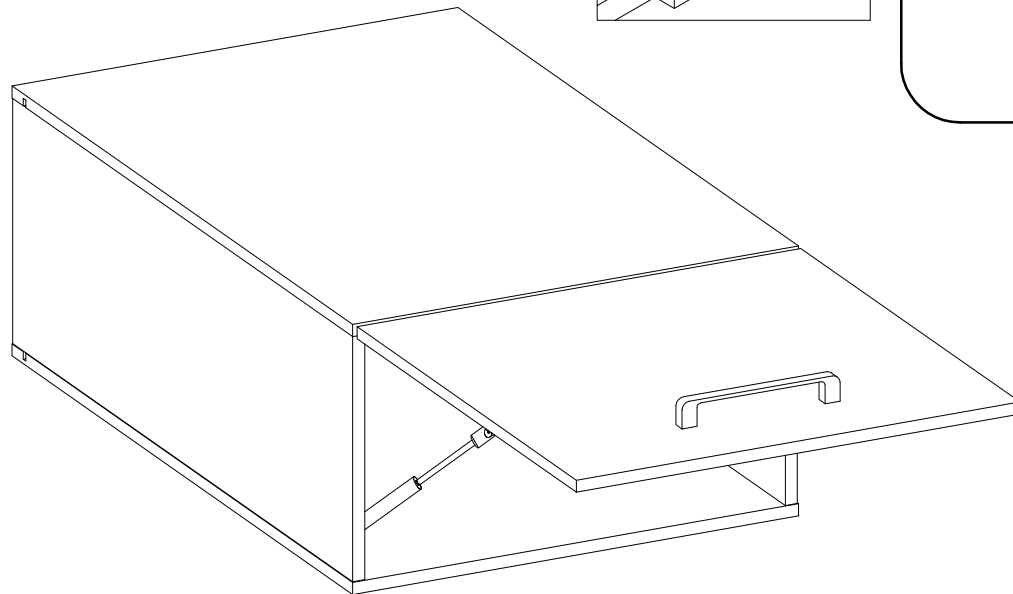
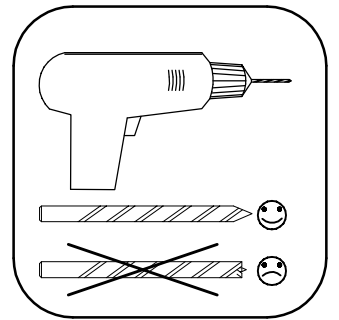
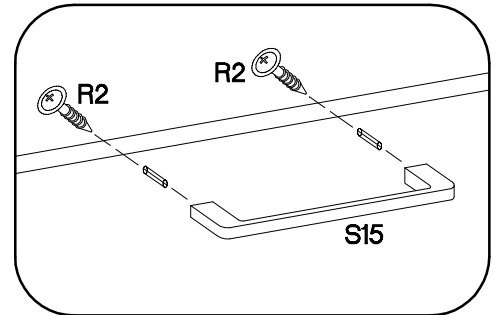
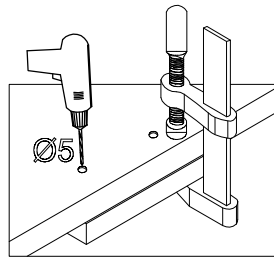
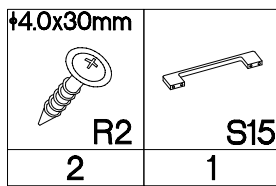
KUH.70602



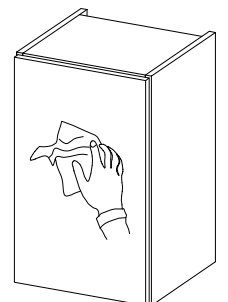
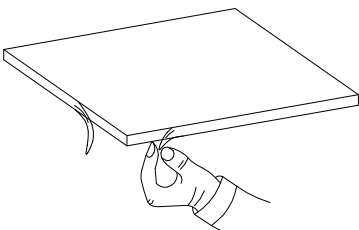
8

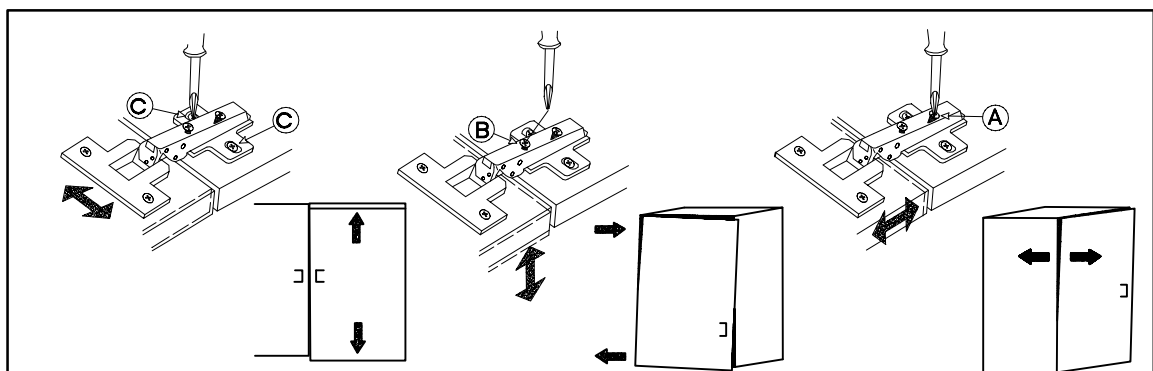
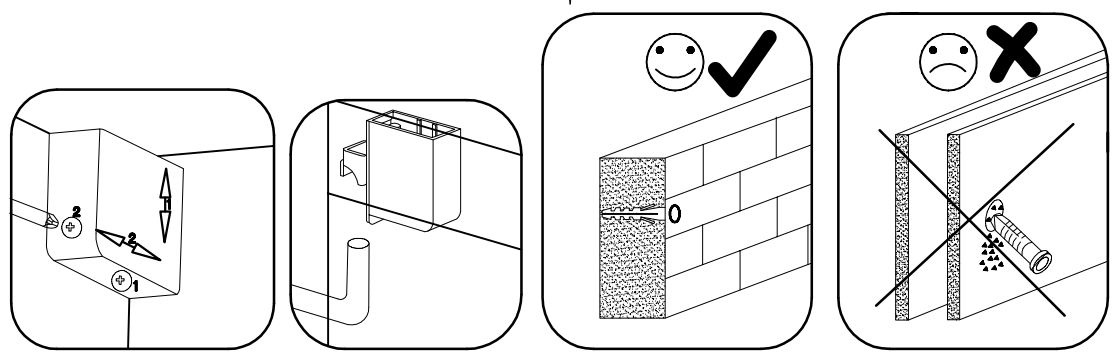
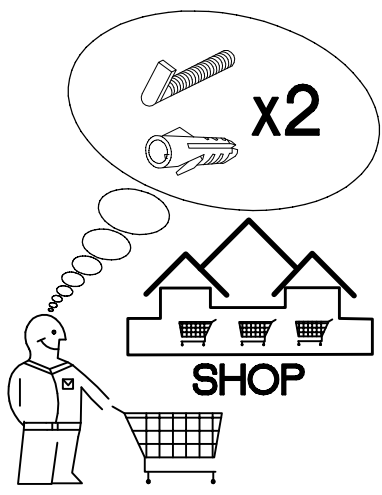
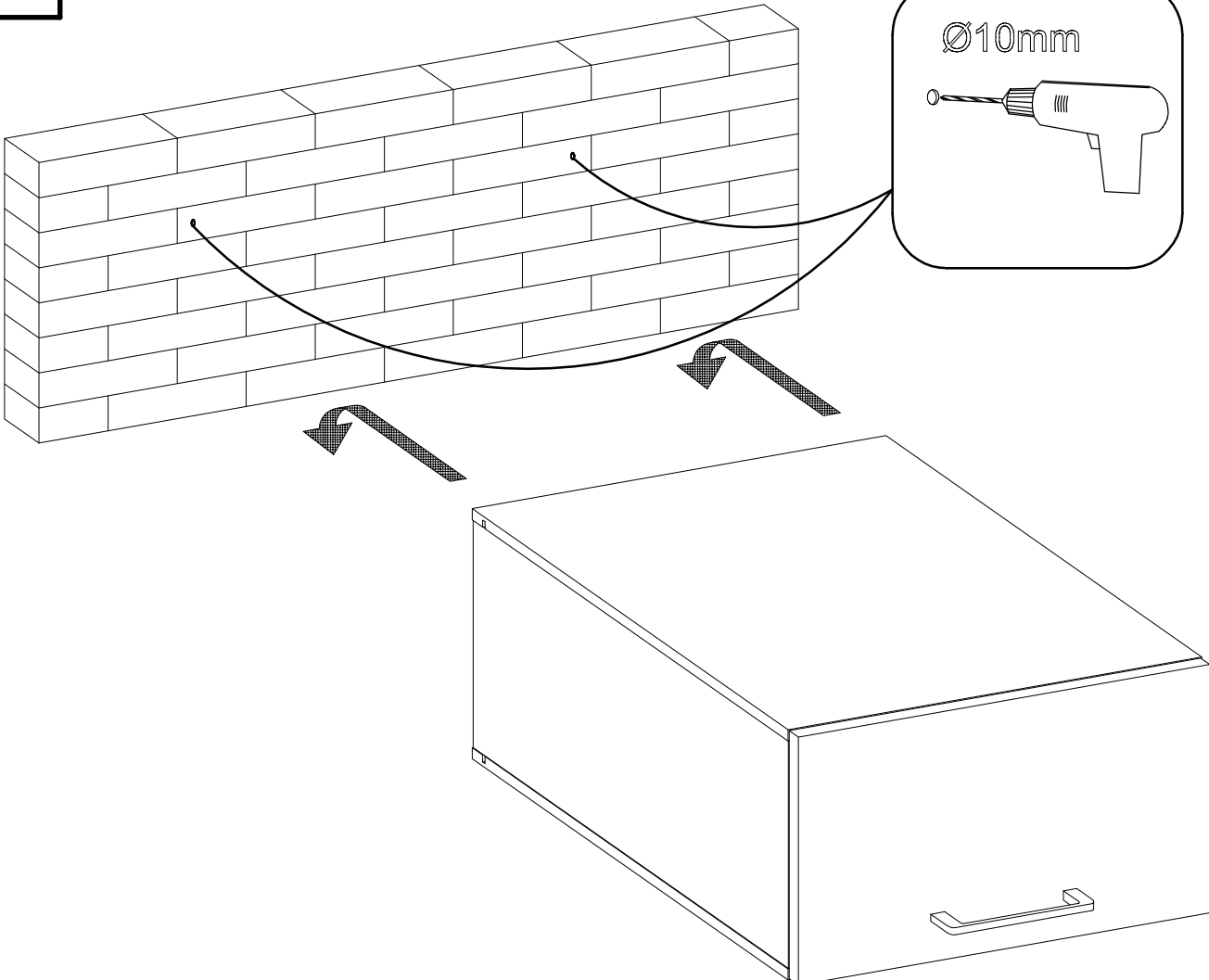


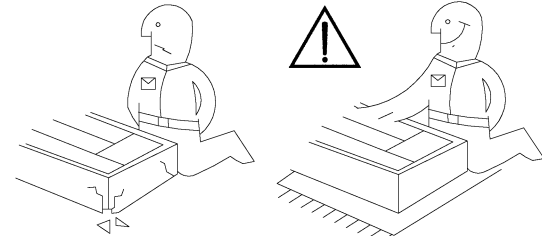
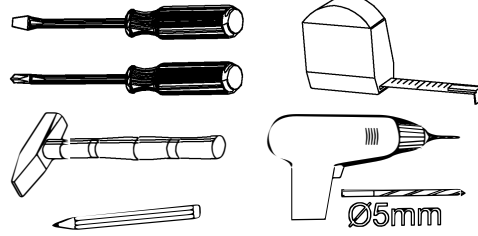
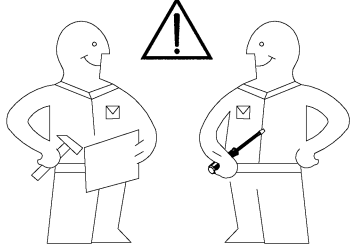
9



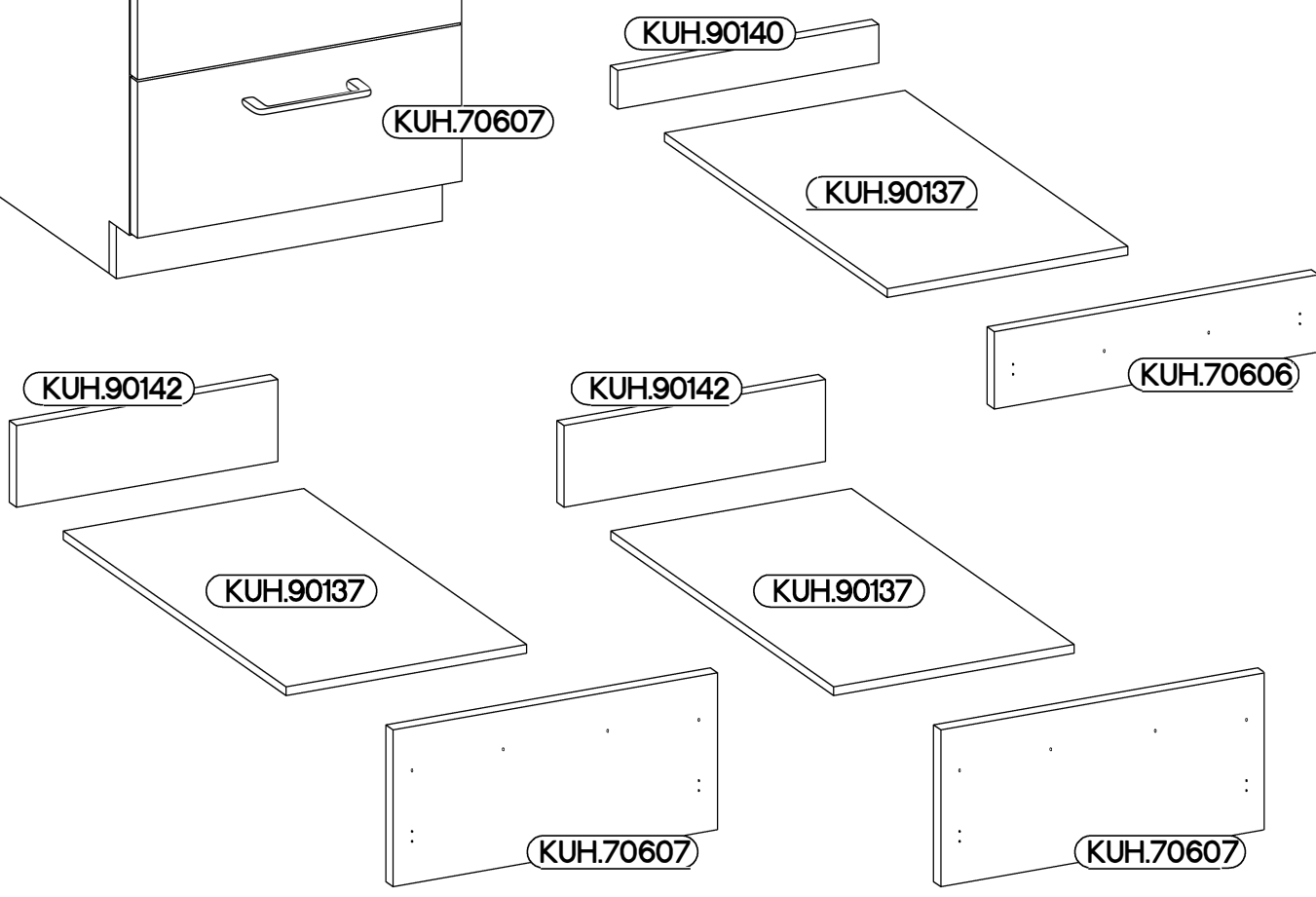
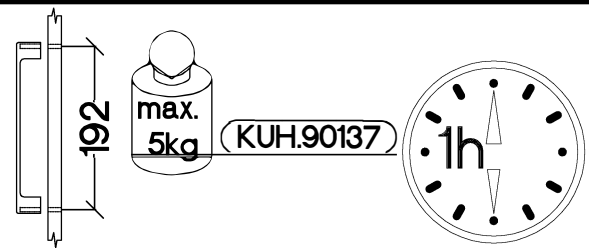
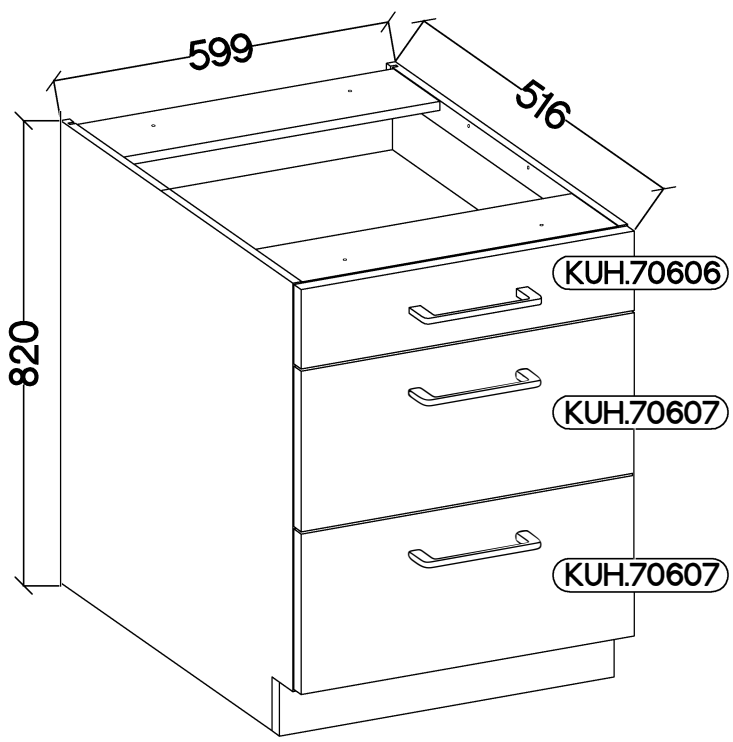
VARIANT HIGH GLOSS



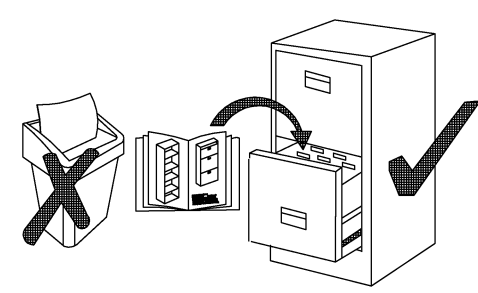




60 D 3S BB Premium Box VIRION

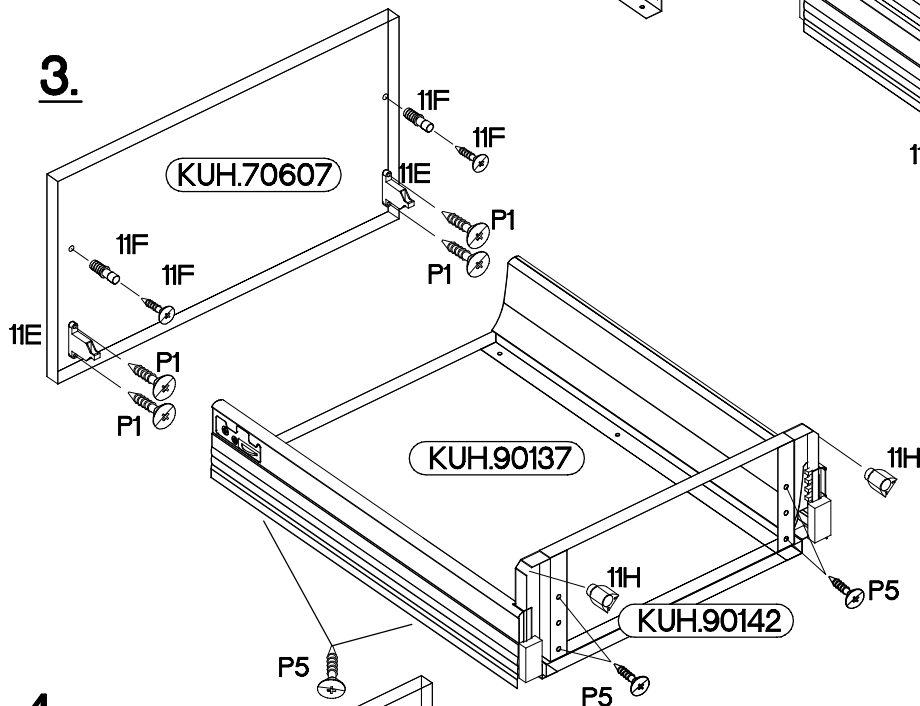
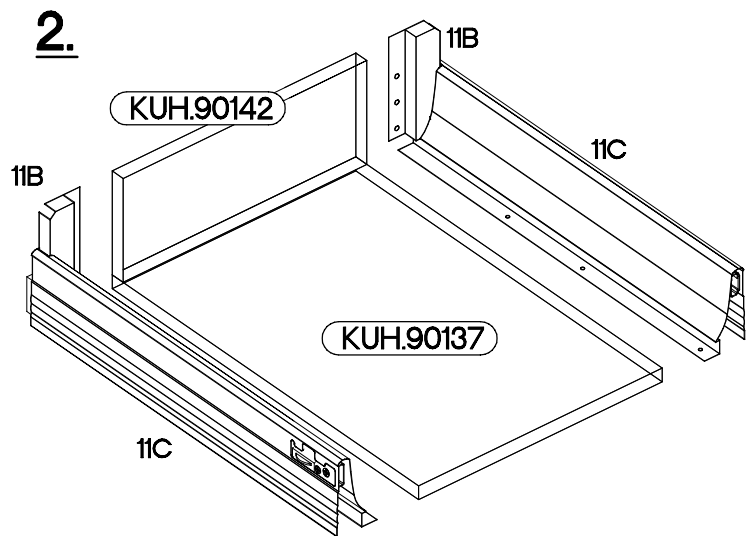
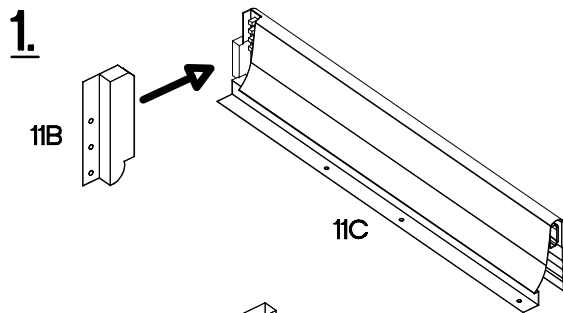


3	2	3	1	6	4
6	4	12	24	24	6
					3

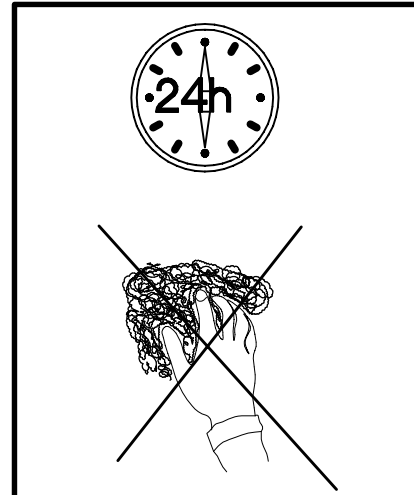
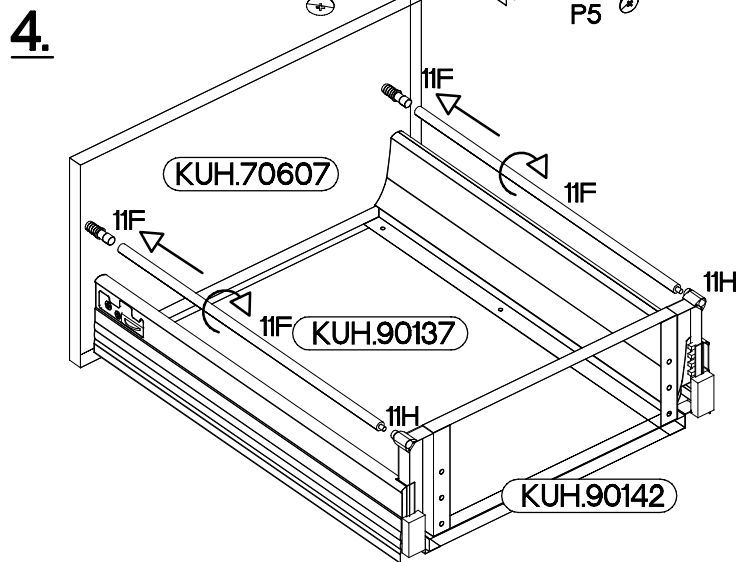


1

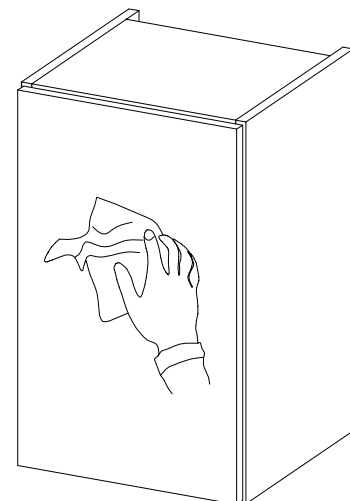
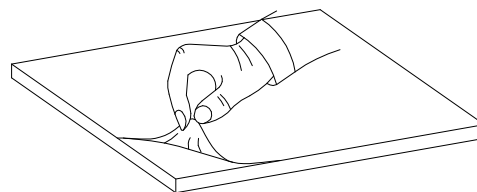
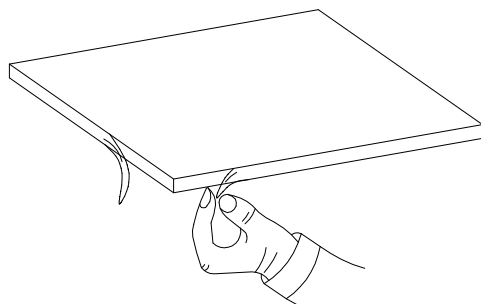
					$\pm 4.0 \times 16 \text{mm}$ 	$\pm 3.5 \times 13 \text{mm}$ 	
2	2	4	4	4	8	16	4



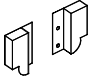
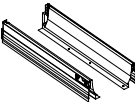




x2

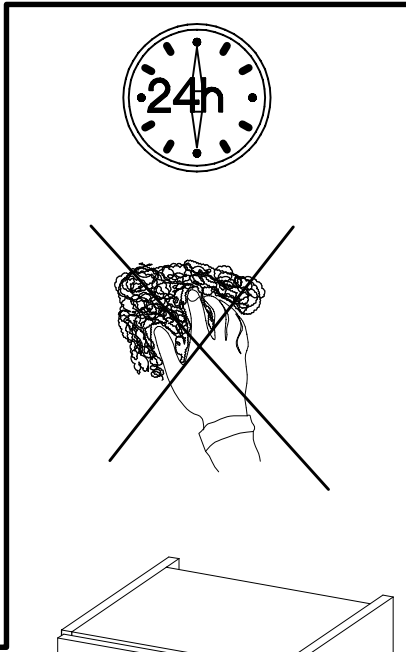
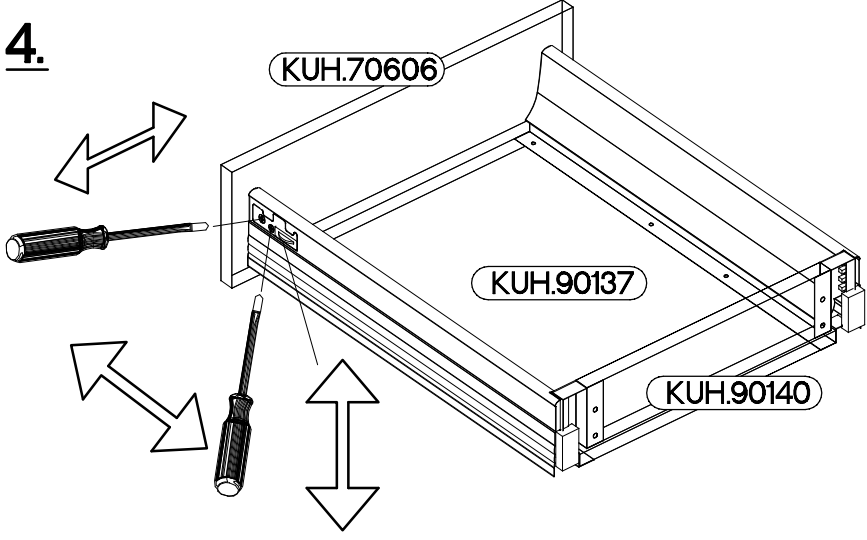
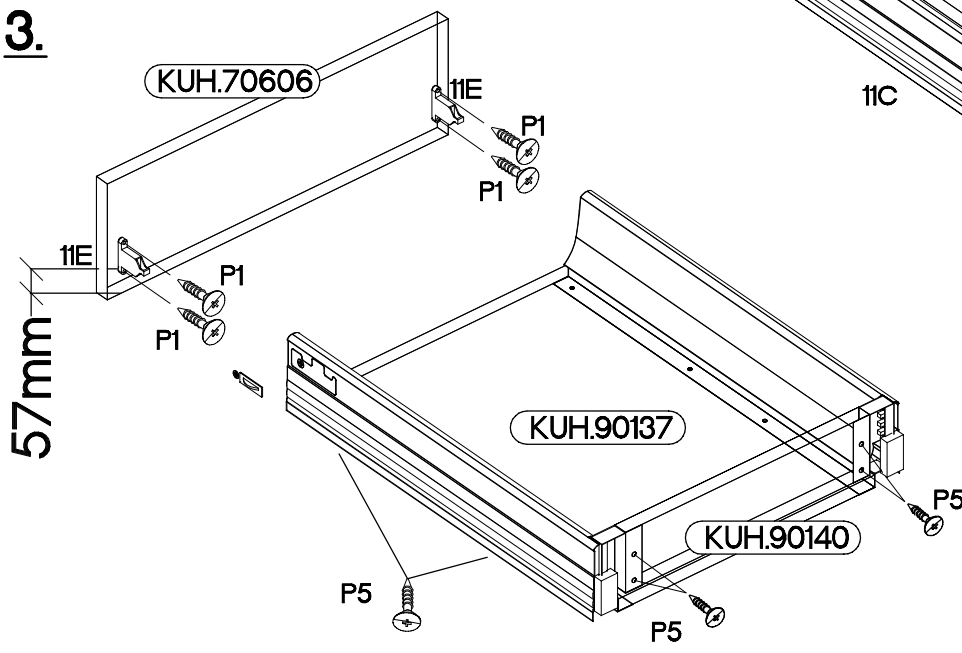
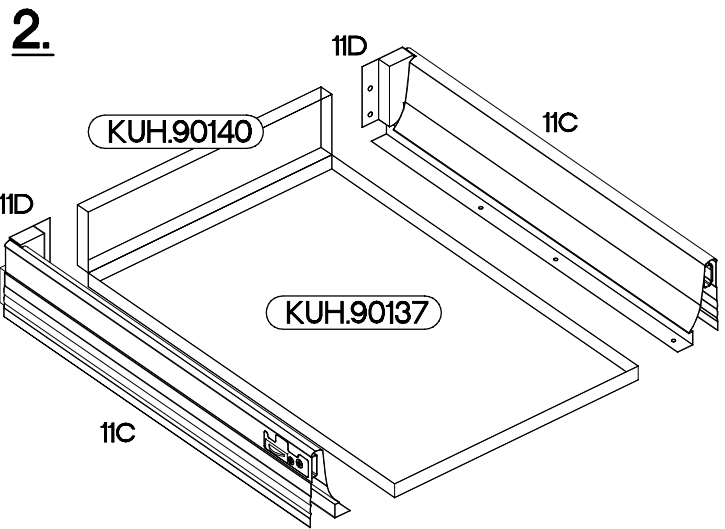
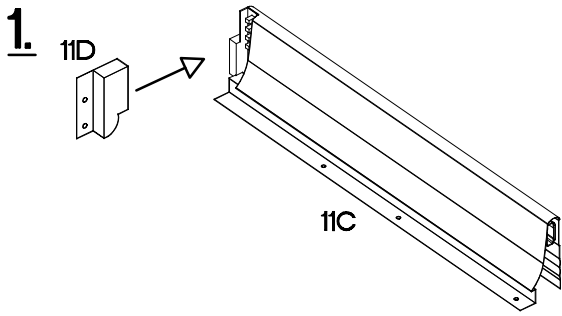


VARIANT HIGH GLOSS

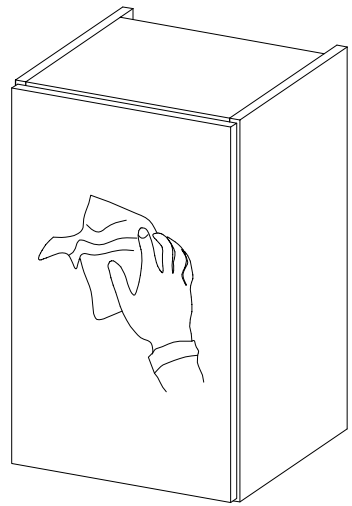
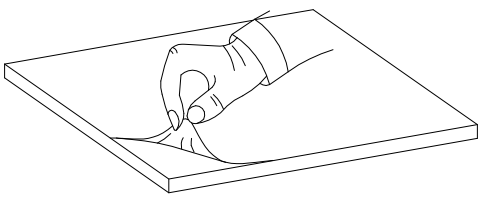
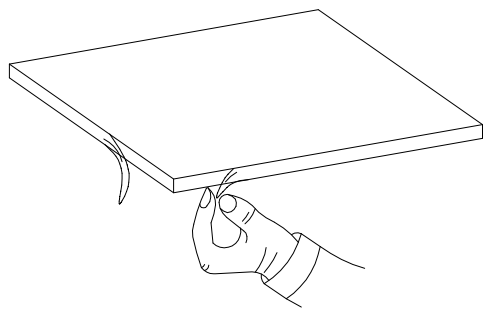


2

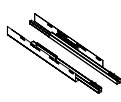


					
11D	11C	11E	P1	P5	11G
1	1	2	4	8	2

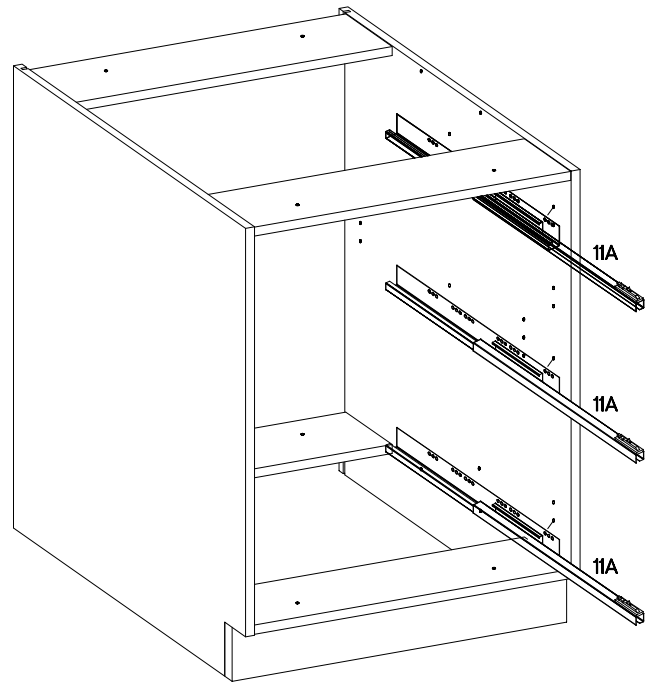
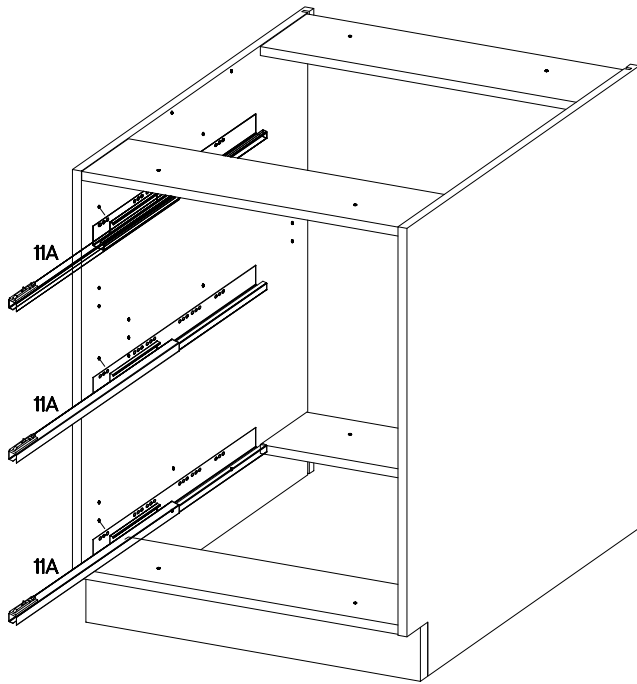
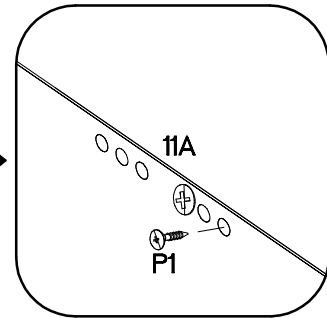
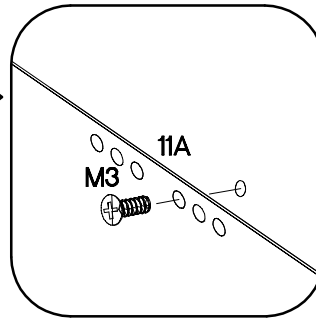
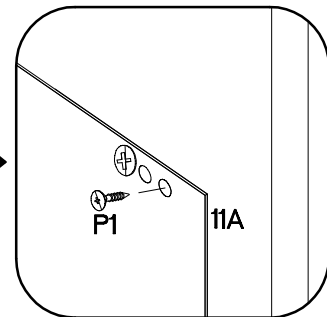
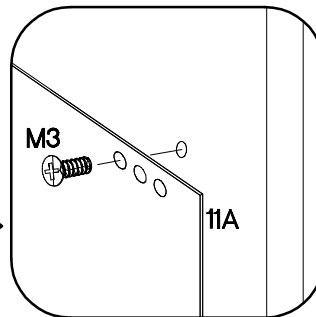
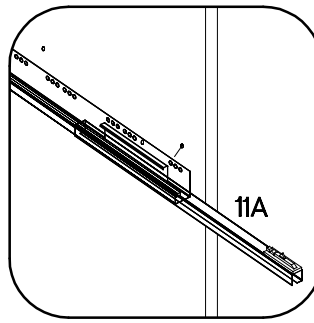


VARIANT HIGH GLOSS


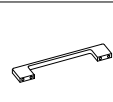


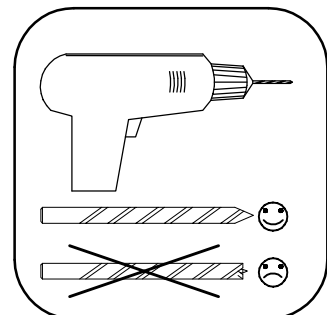
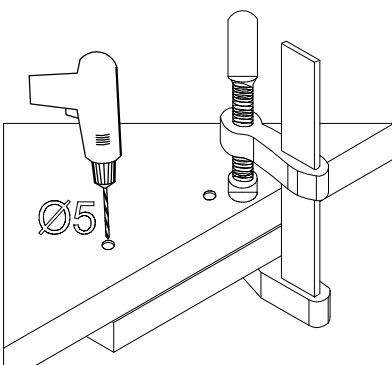
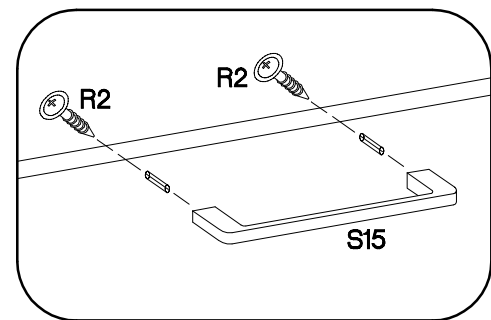
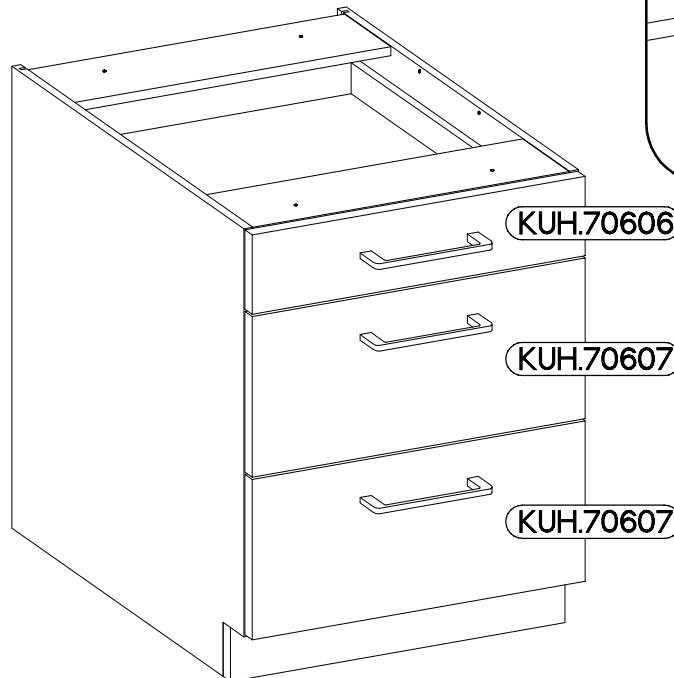
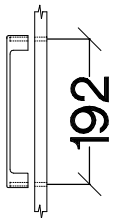
3

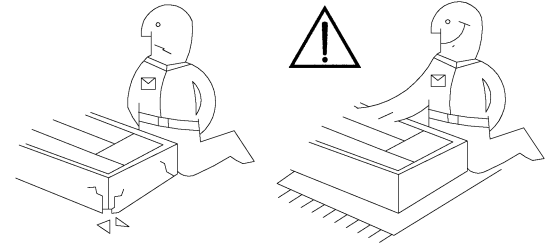
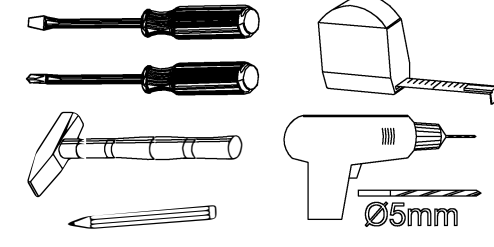
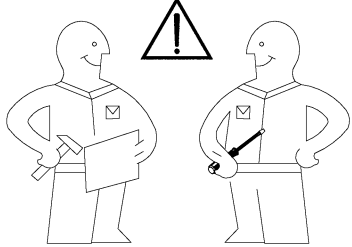
		
11A	M3	P1
3	12	12



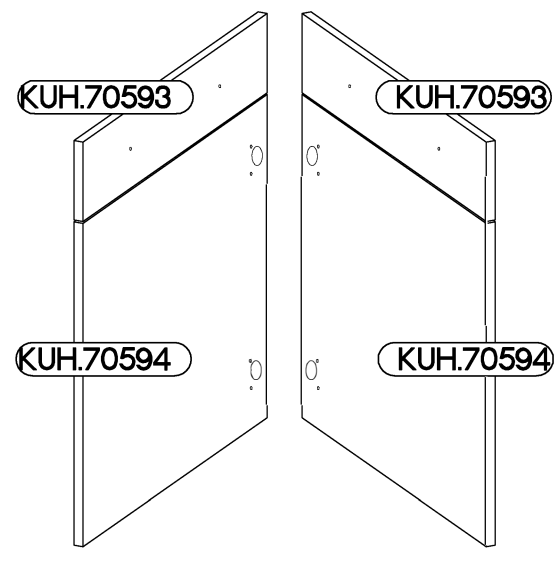
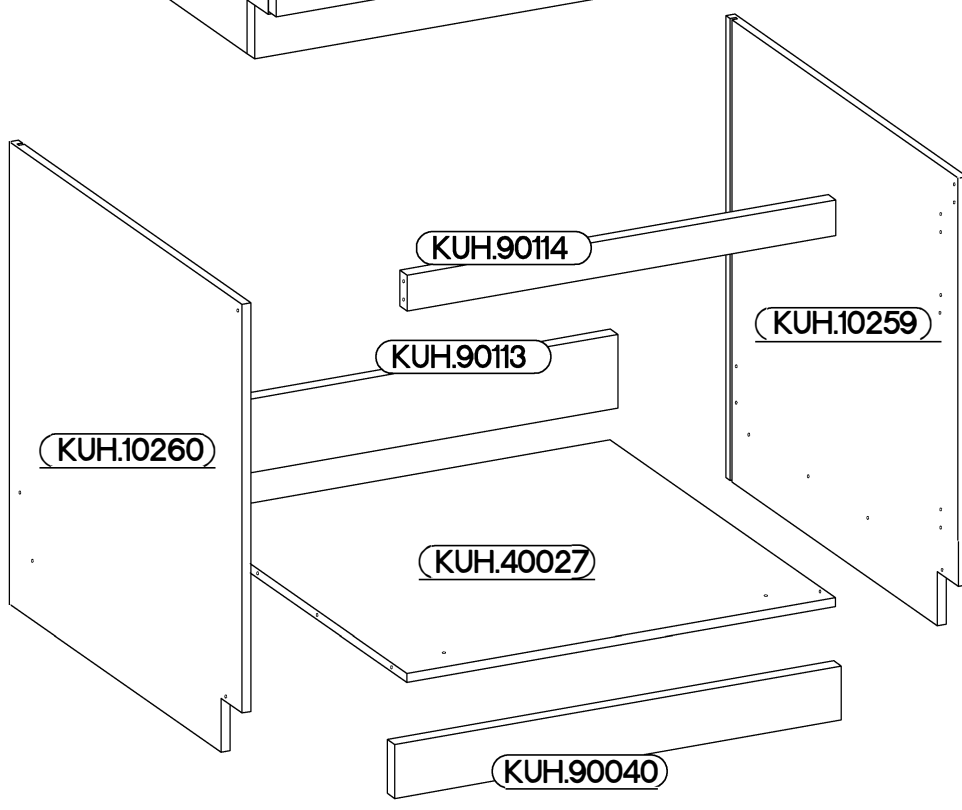
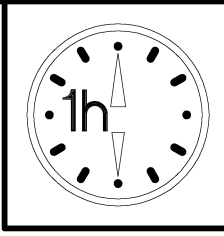
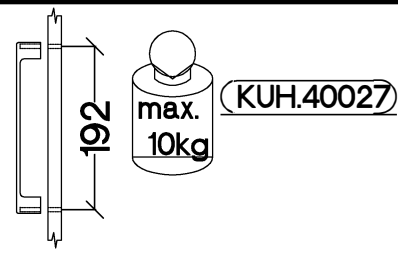
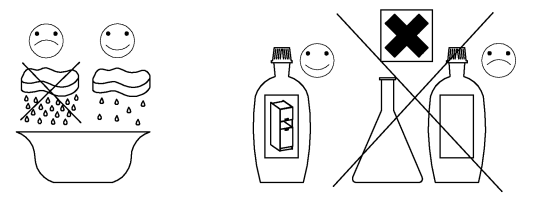
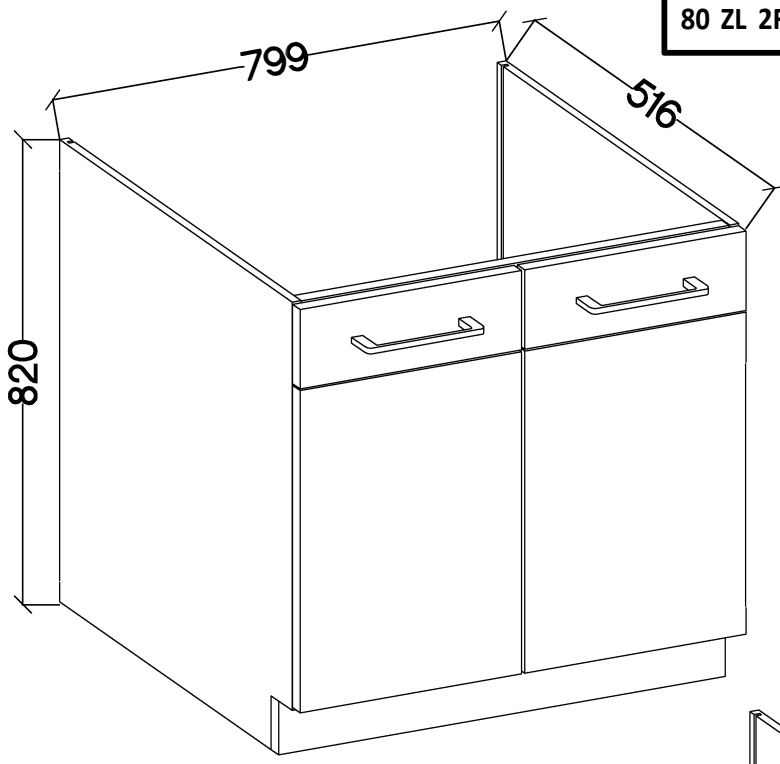
4

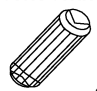




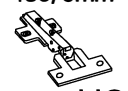







	
R2	S15
6	3

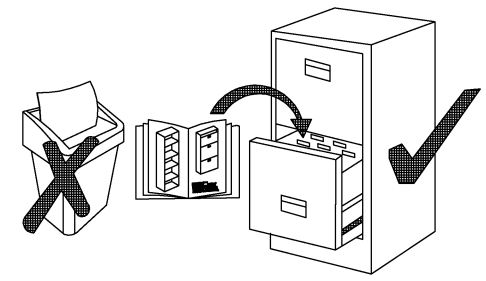




80 ZL 2F BB VIRION

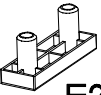
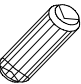


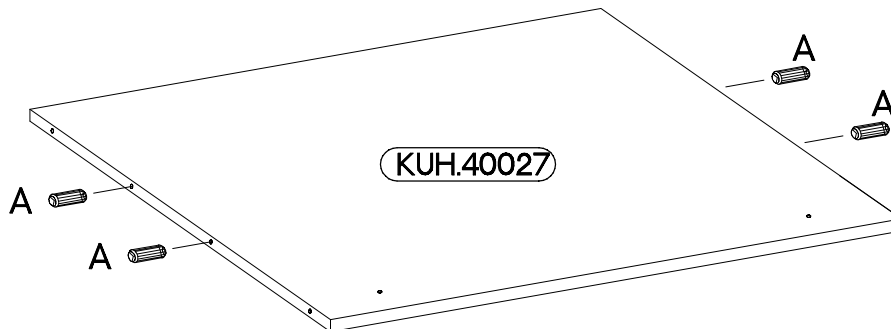
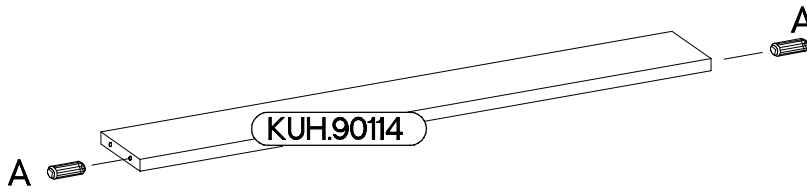
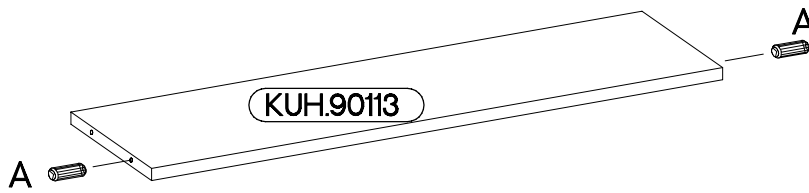
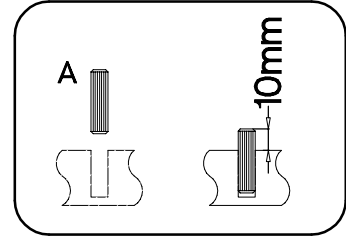
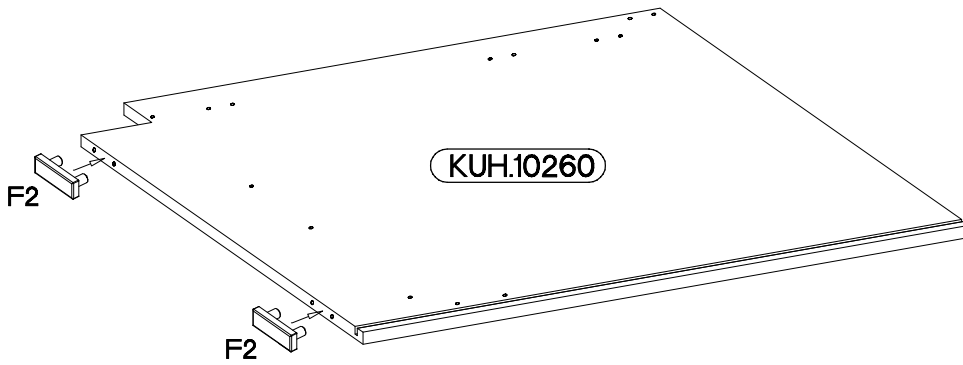
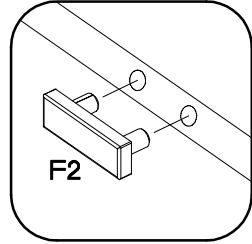
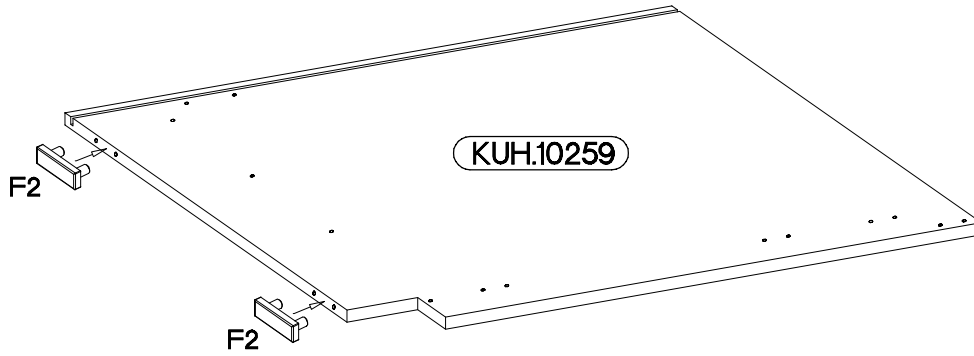
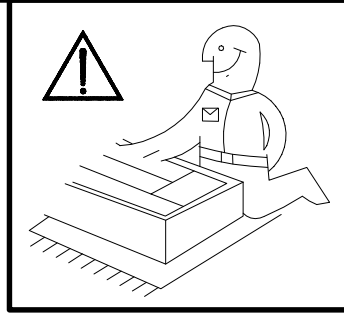
 †8x30mm A	 6,4 x 50mm B	 E1	 E9	 6.5x48x16 F2	 †35/0mm HG	 K28
8	8	8	2	4	4	4
 K29	 O	 †4.0x45mm P4	 †3.5x13mm P5	 †4.0x30mm R2	 S15	
2	1	2	16	4	2	




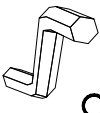

ISM-KUH-00993

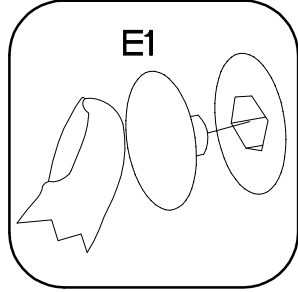
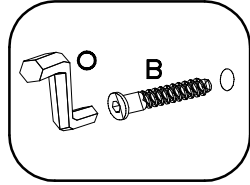
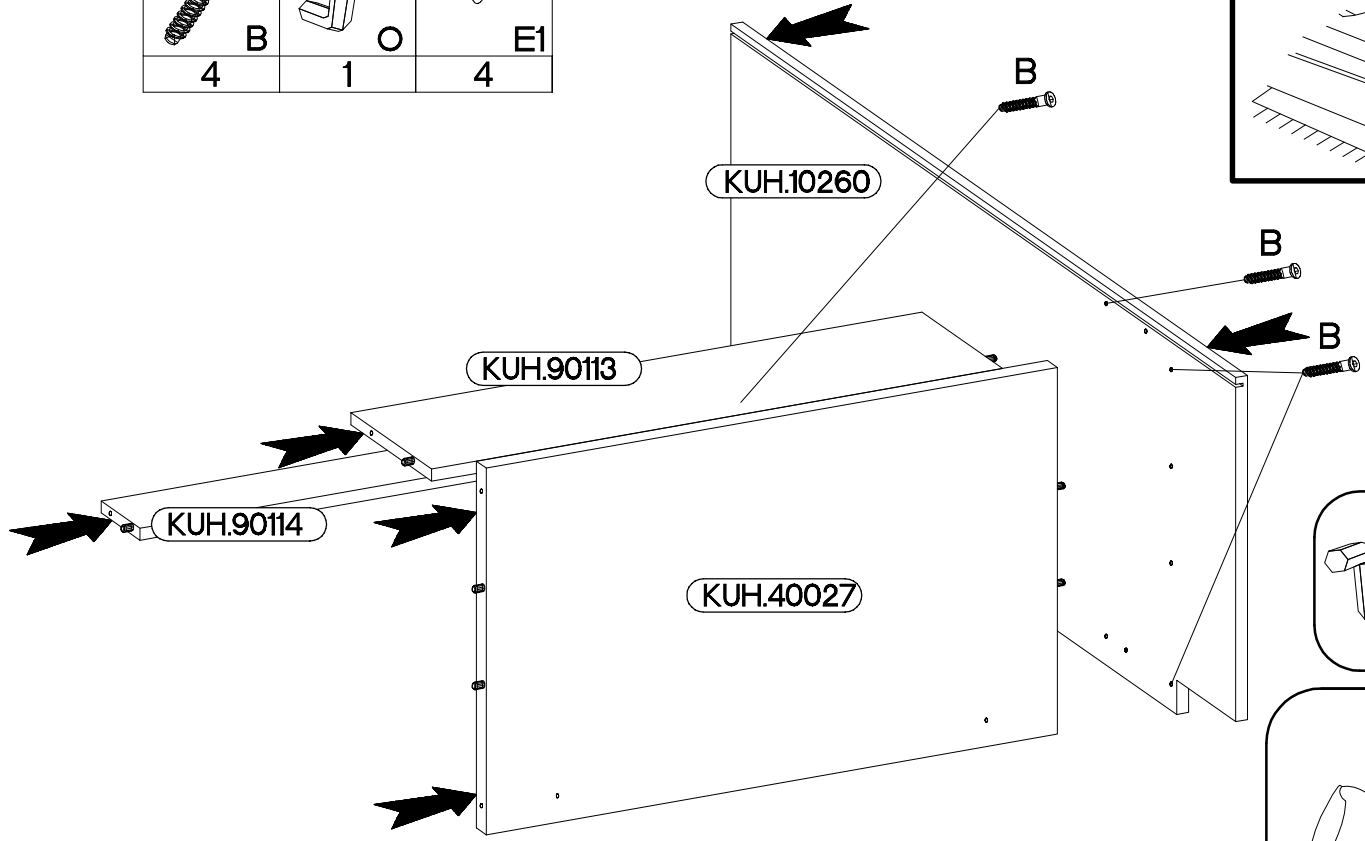
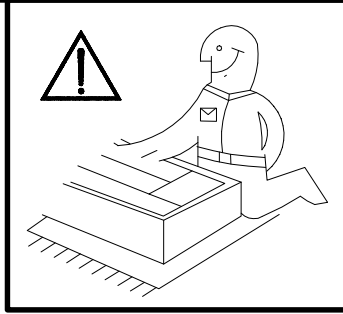
1

6.5x48x16  F2 4	+8x30mm  A 8
--	---


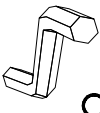



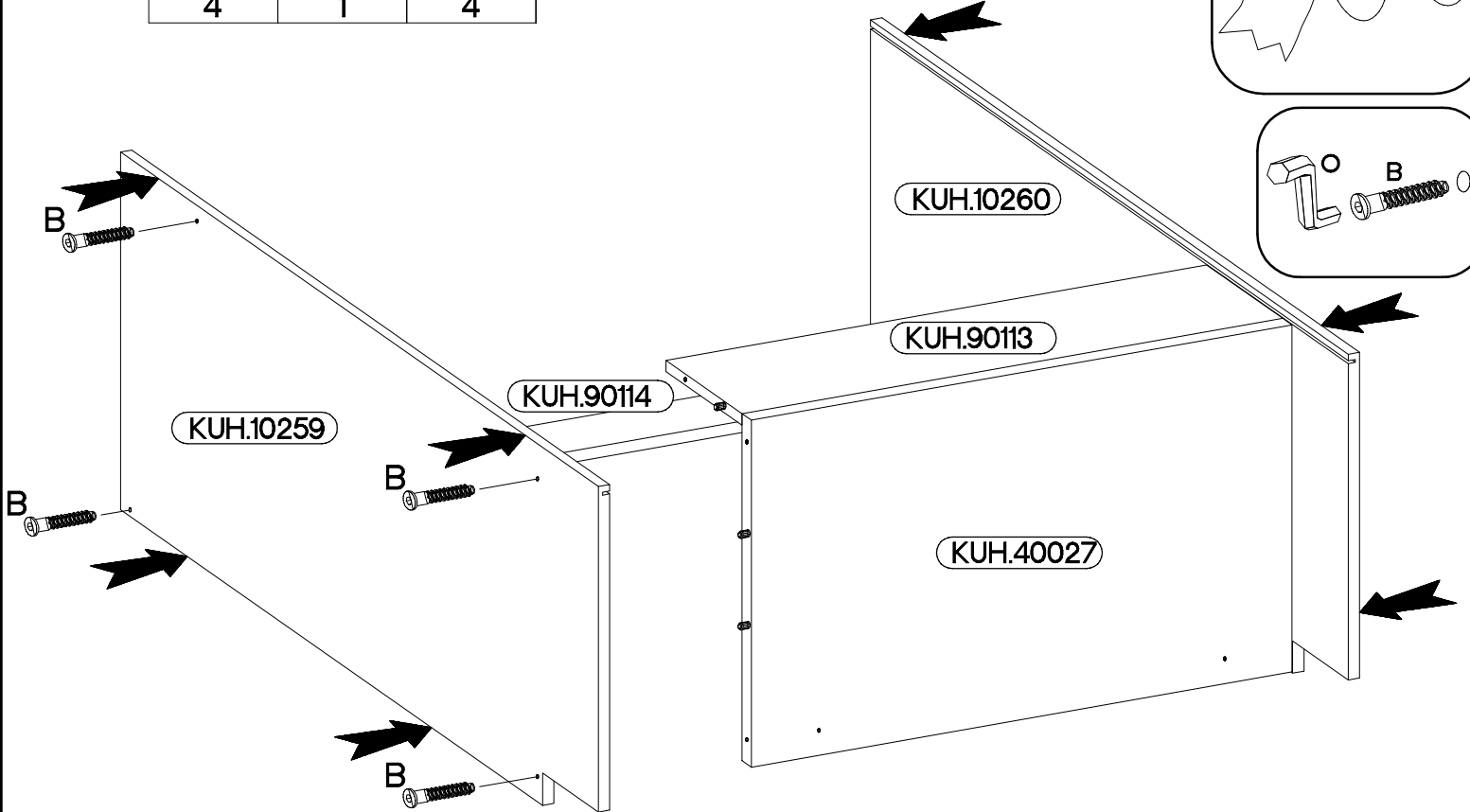
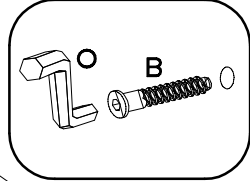
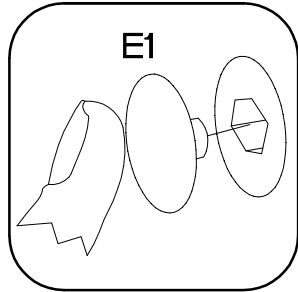
2

6,4 x 50mm		
		
B	O	E1
4	1	4



3

6,4 x 50mm		
		
B	O	E1
4	1	4



4

4.0x45mm



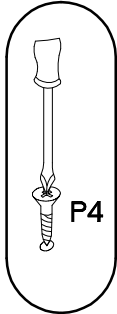
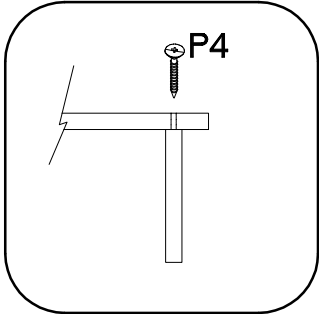
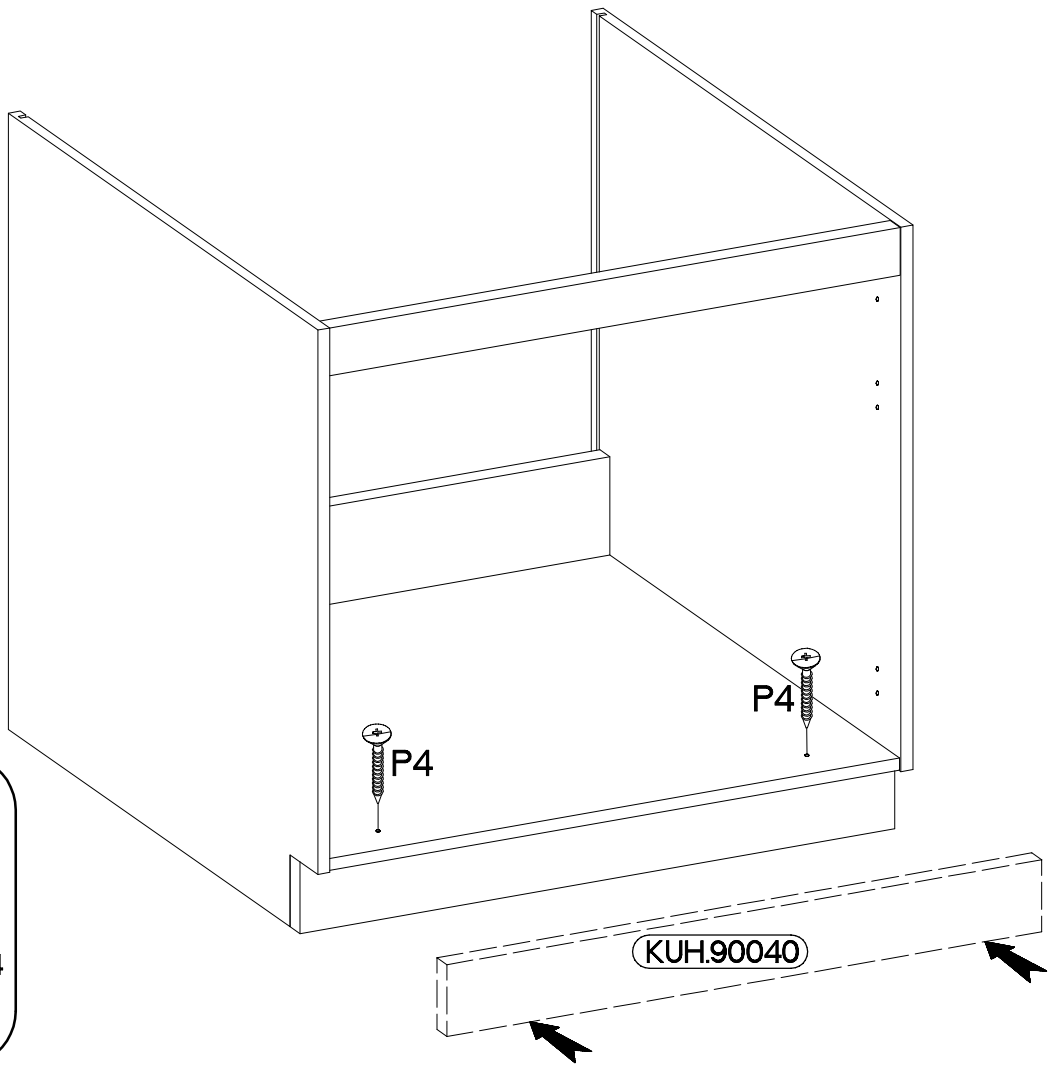
P4

2

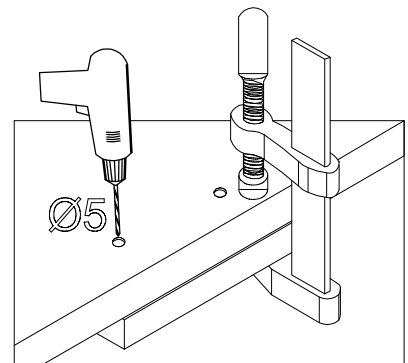
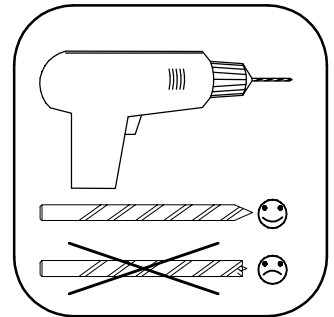
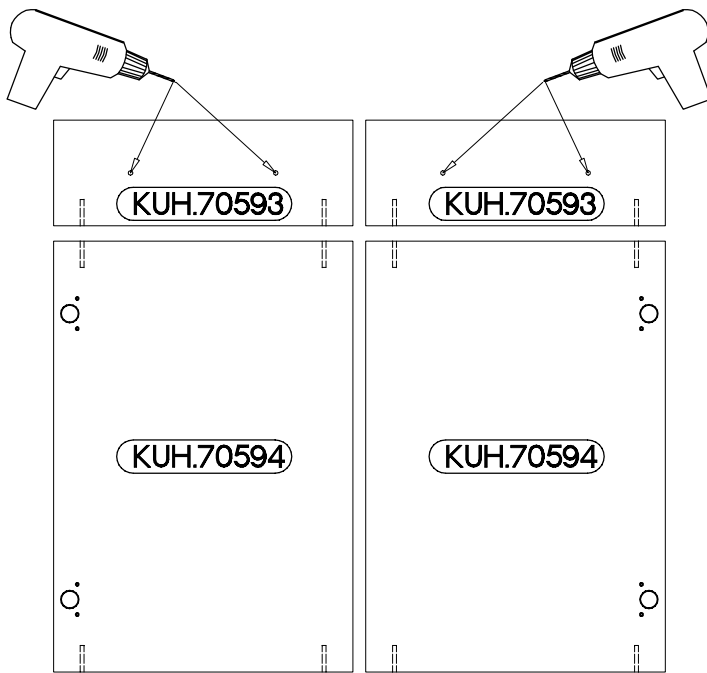


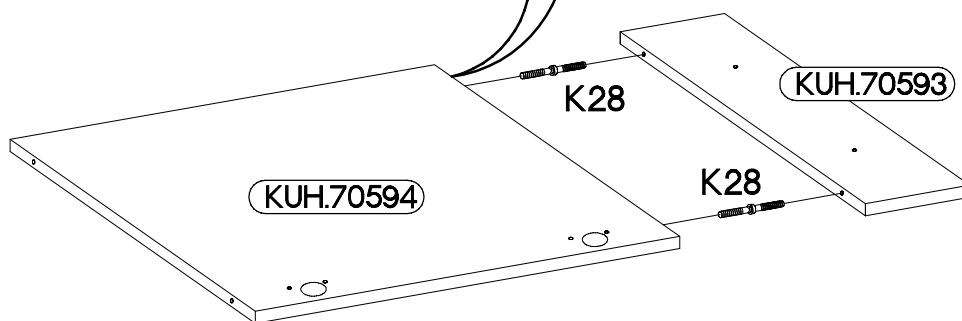
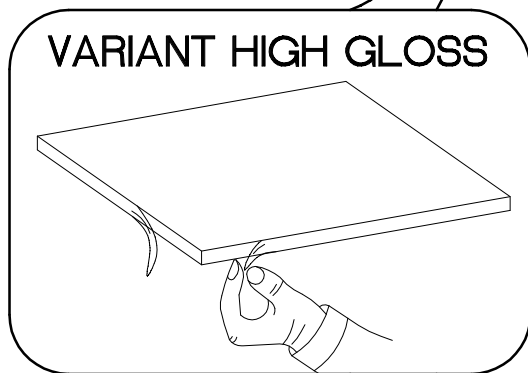
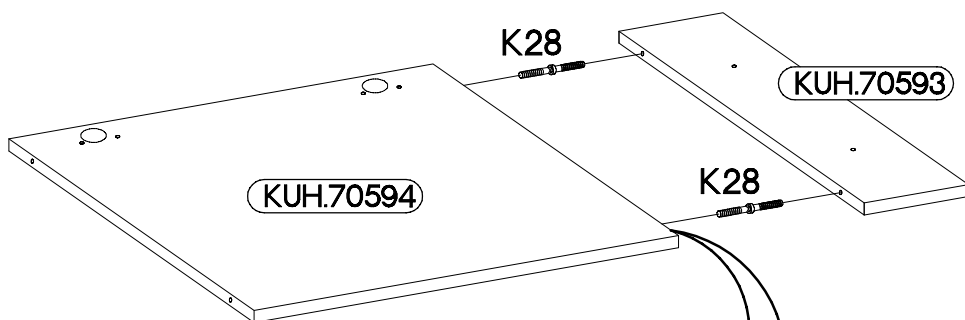
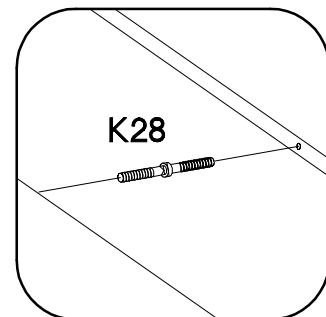
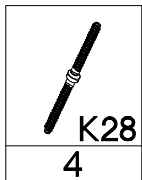
E9

2

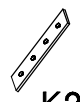



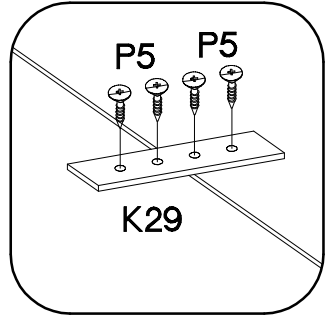
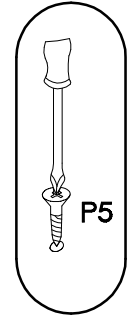
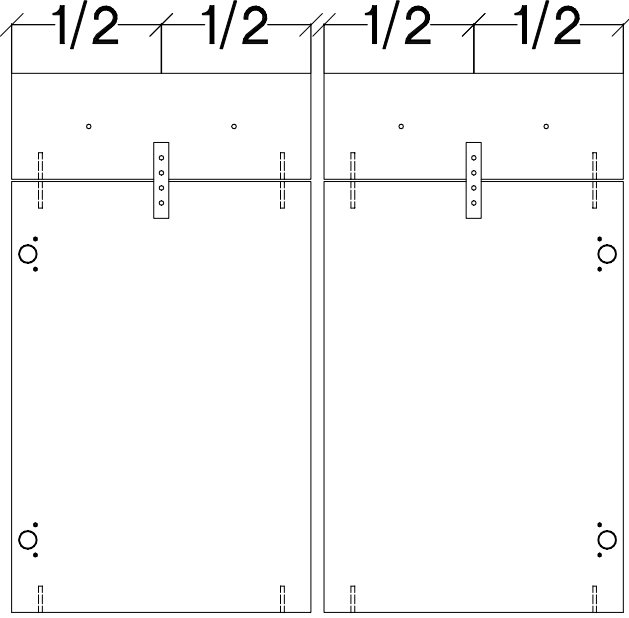
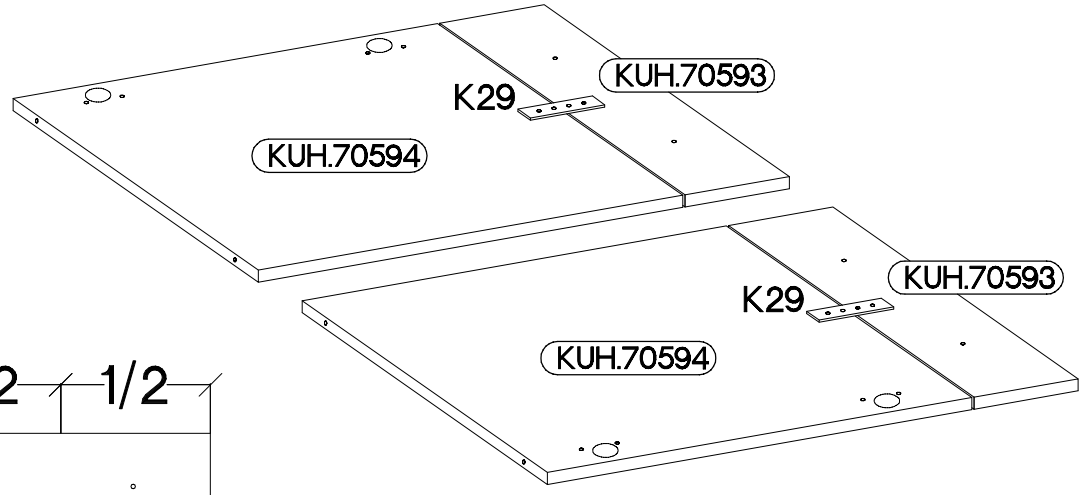
5



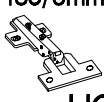



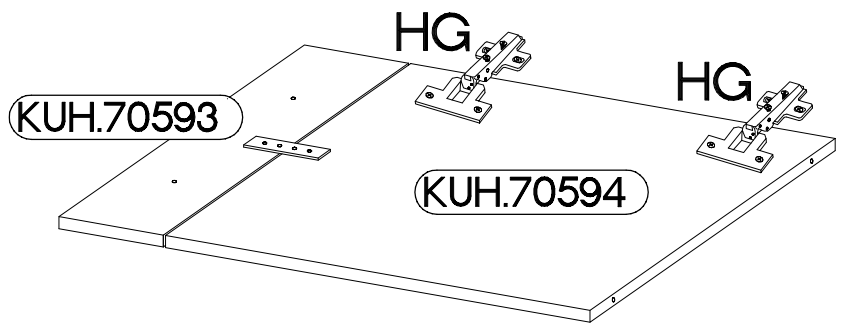
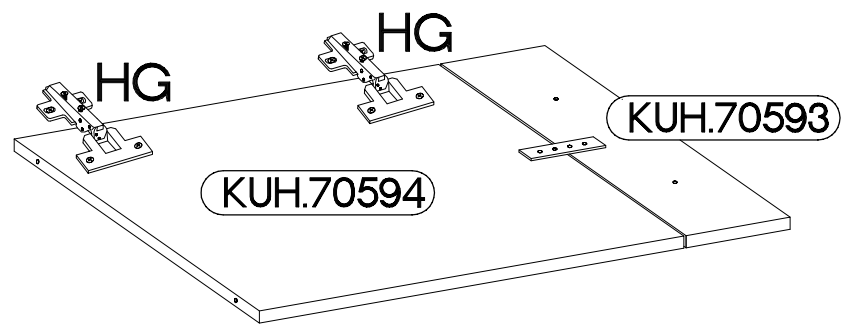
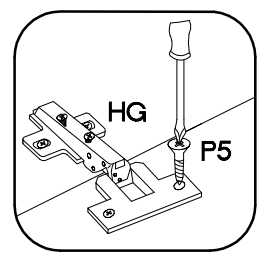
7

	±3.5x13mm 
K29	P5
2	8



8

±35/0mm 	±3.5x13mm 
HG	P5
4	8

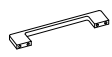


4.0x30mm



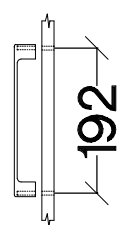
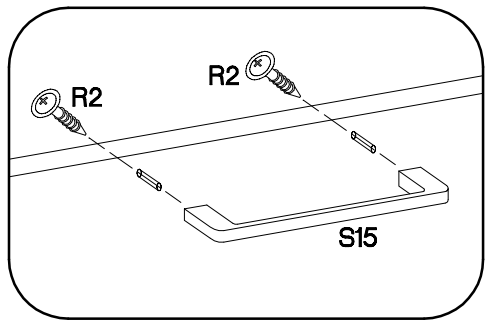
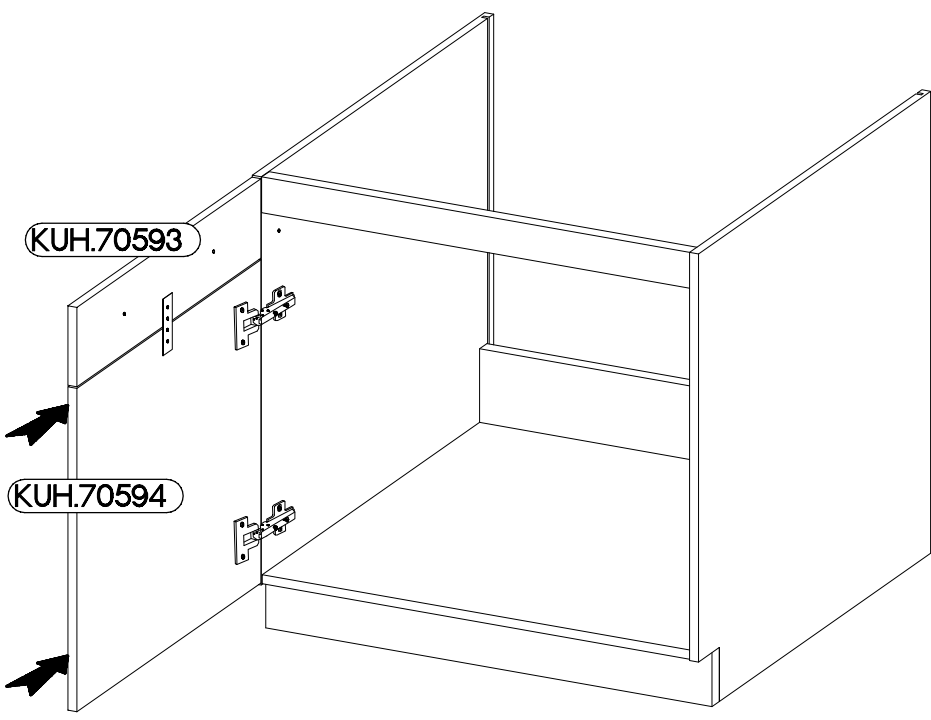
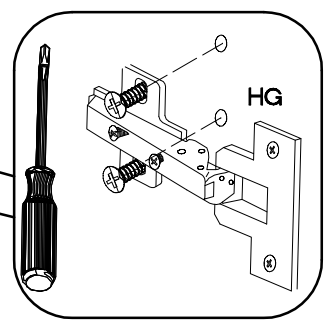
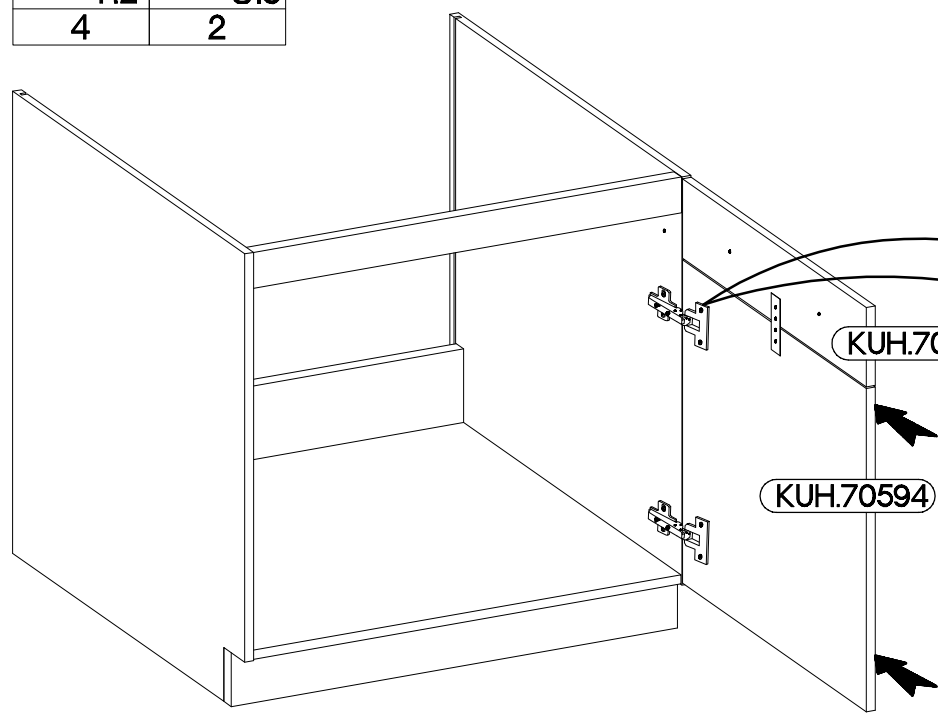
R2

4

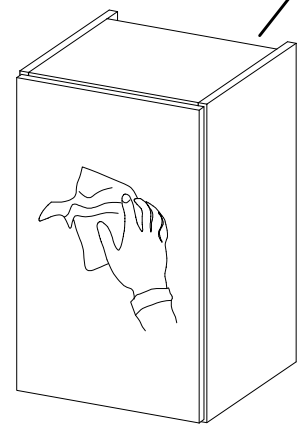
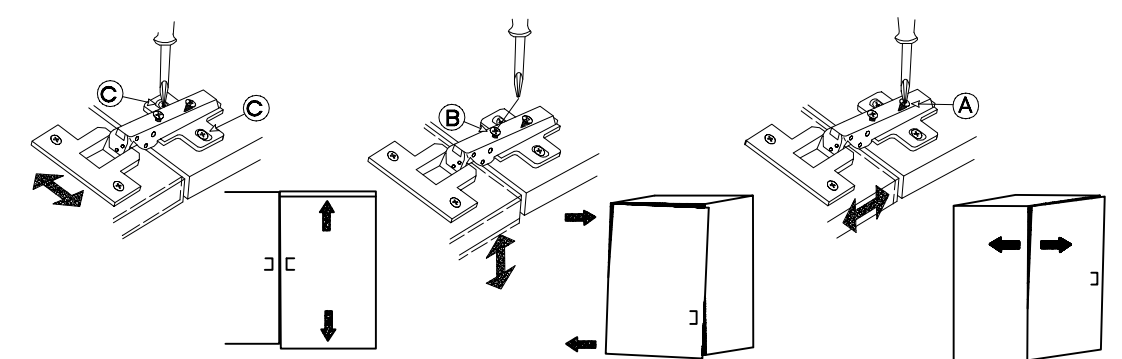
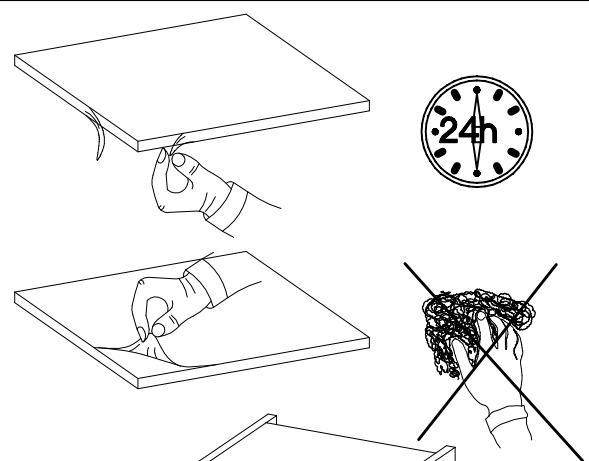


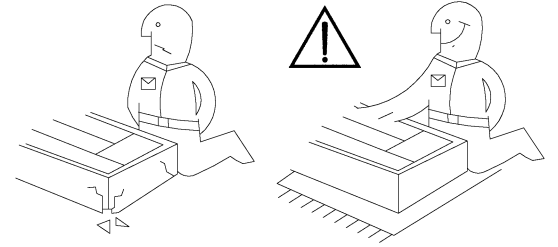
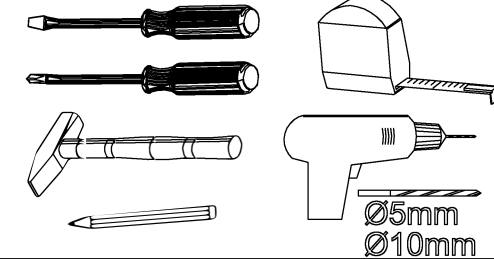
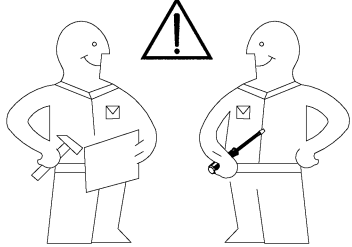
S15

2

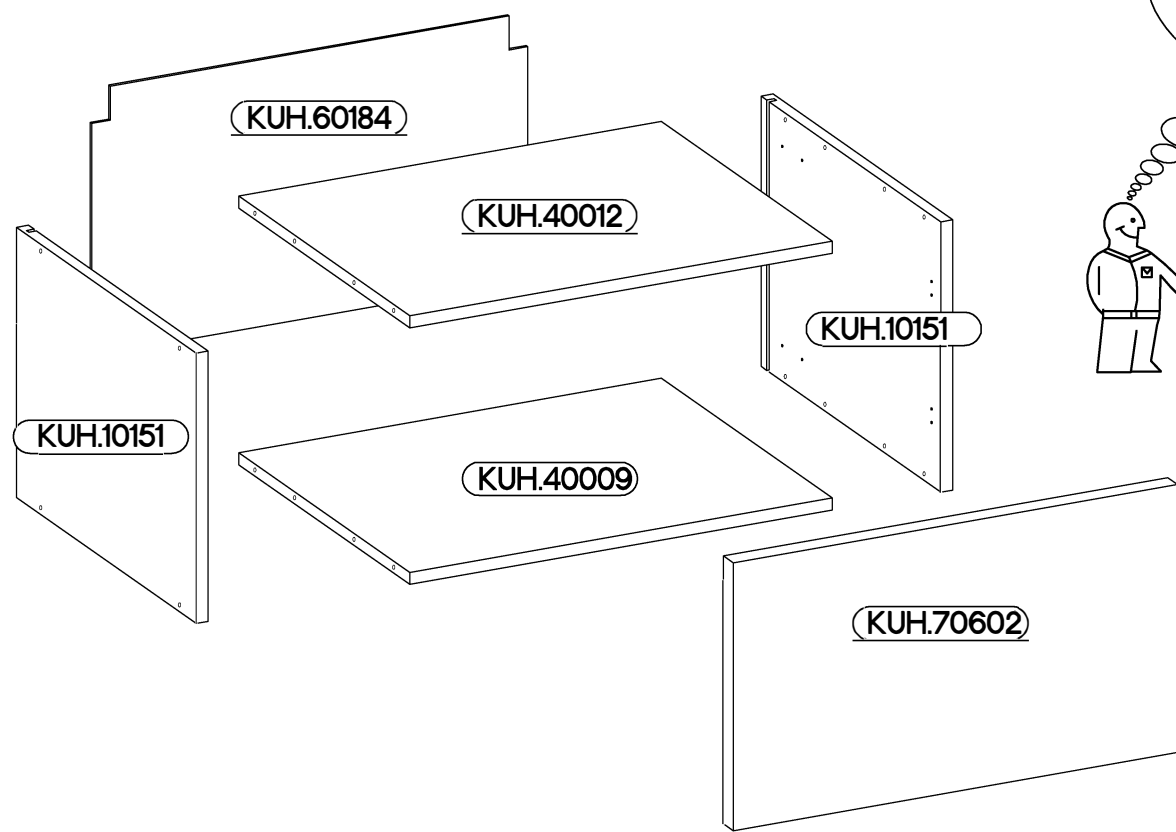
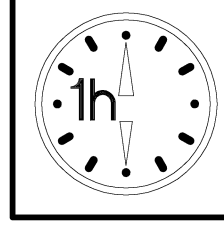
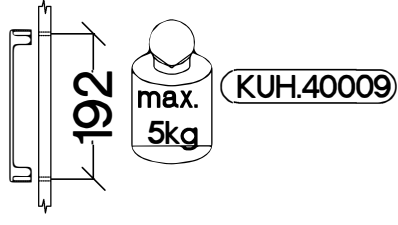
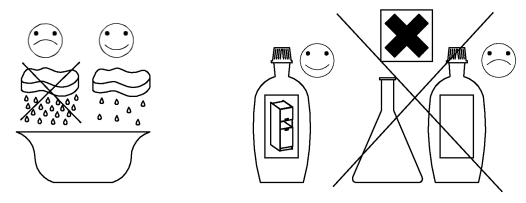
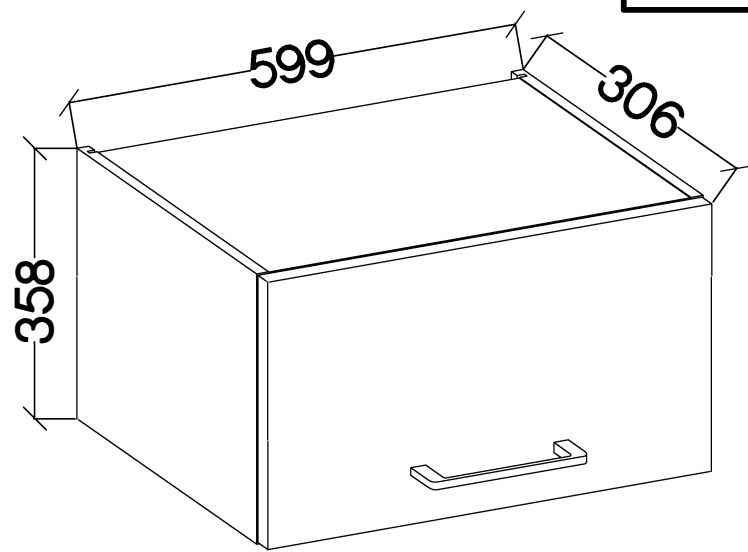


VARIANT HIGH GLOSS

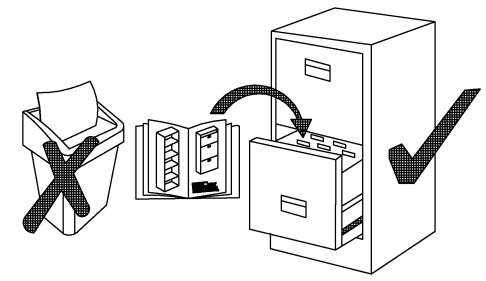


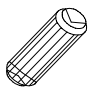
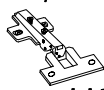


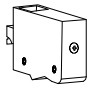


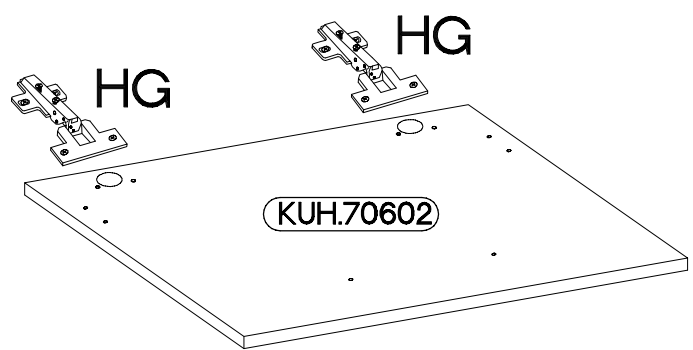
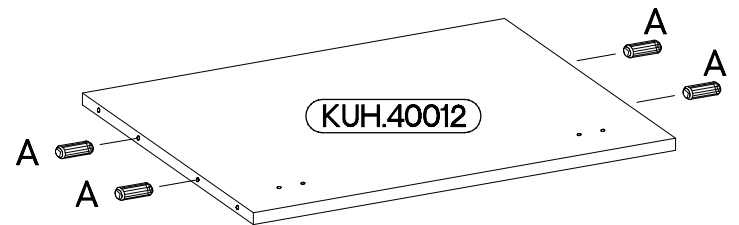
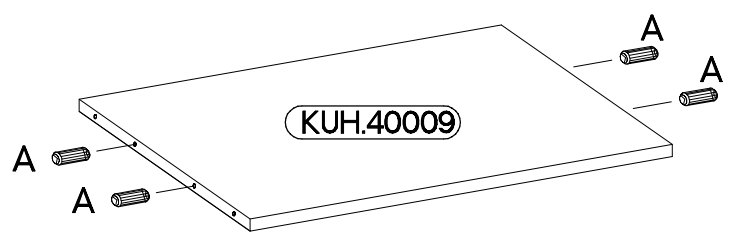
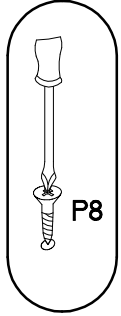
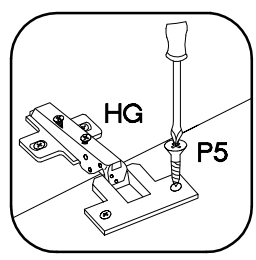
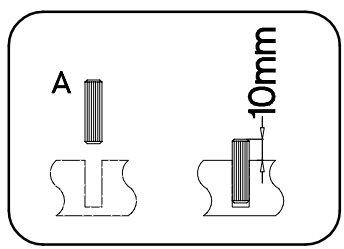
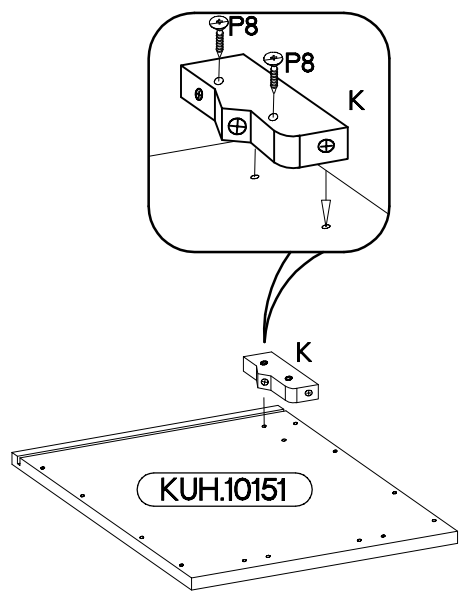
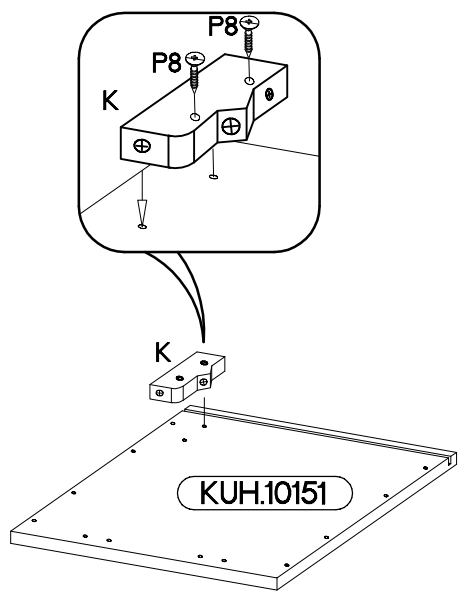
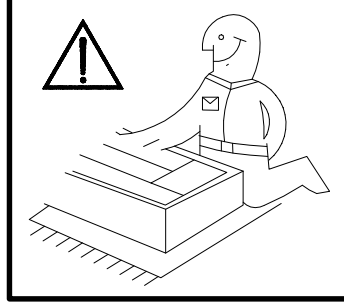
60 GU-36 VIRION



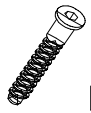
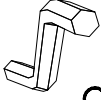

<p>±8x30mm A 8</p>	<p>6,4 x 50mm B 8</p>	<p>E1 8</p>	<p>±35/0mm HG 2</p>	<p>K 2</p>	<p>K24 2</p>
<p>O 1</p>	<p>±3.5x13mm P5 4</p>	<p>±3.0x20mm P7 8-10</p>	<p>±4.0x30mm P8 4</p>	<p>±4.0x30mm R2 2</p>	<p>S15 1</p>

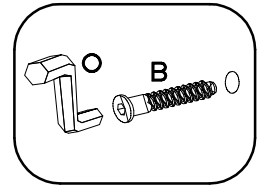
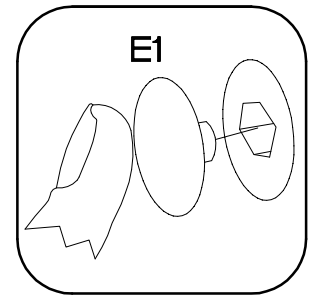
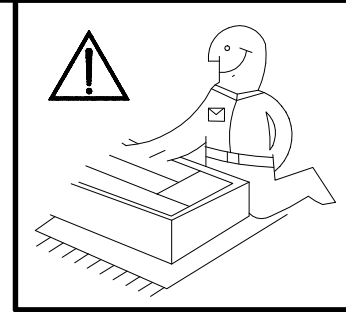
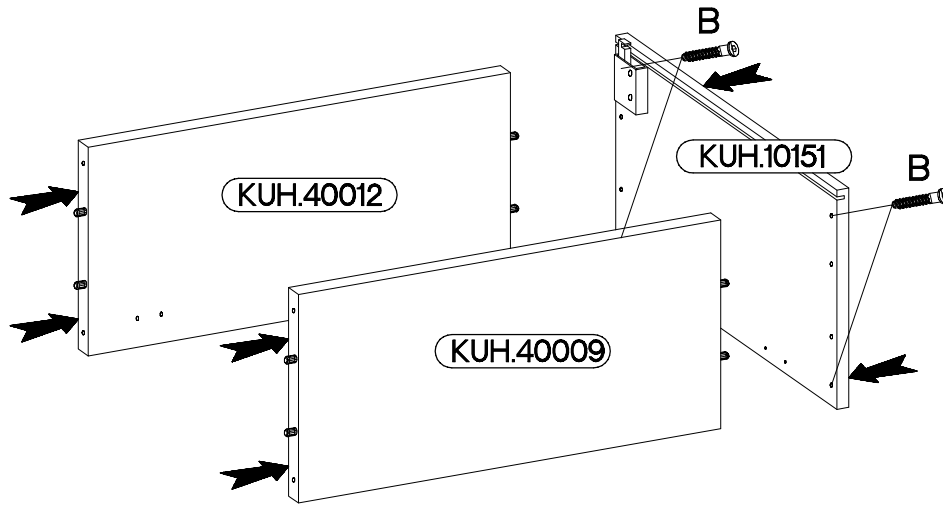


±8x30mm  A 8	±35/0mm  HG 2	±3.5x13mm  P5 4	±4.0x30mm  P8 4	 K 2
---	--	--	--	--


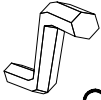



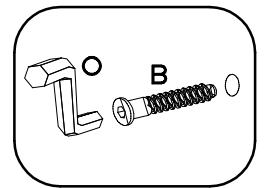
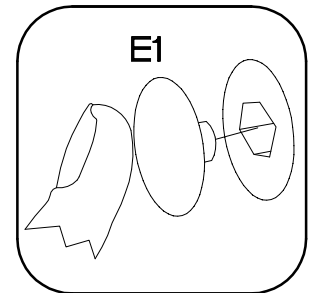
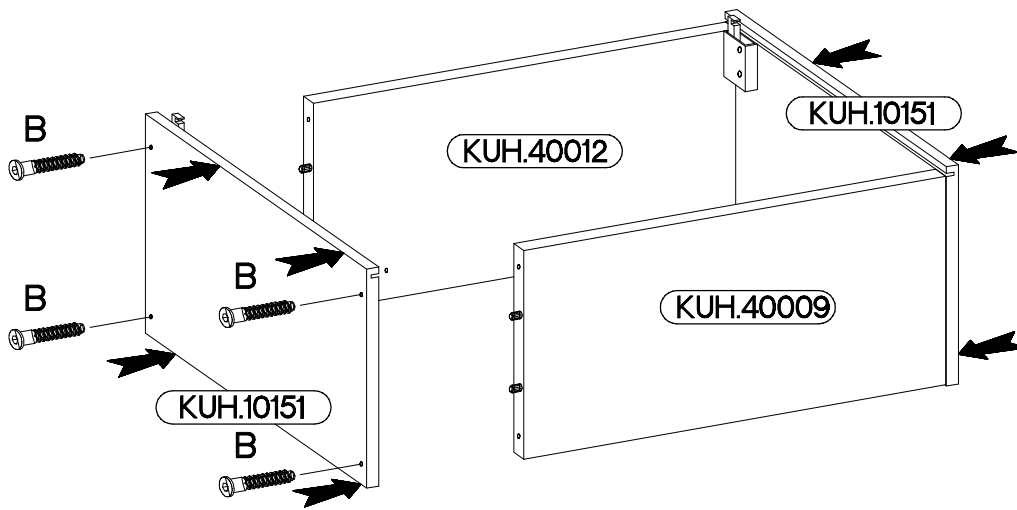
2

6,4 x 50mm		
		
B	O	E1
4	1	4

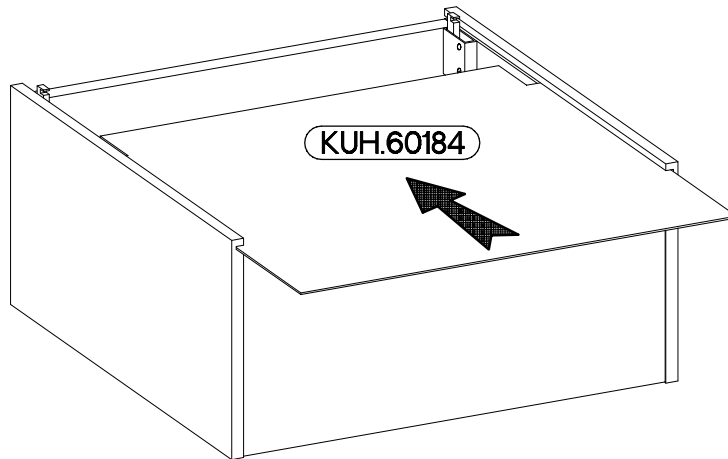
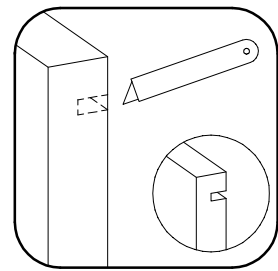
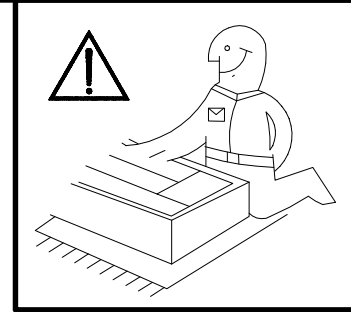
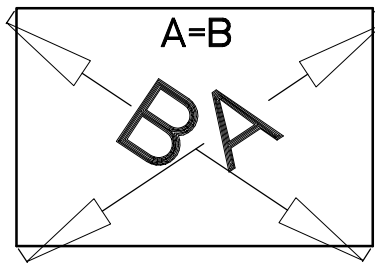


3

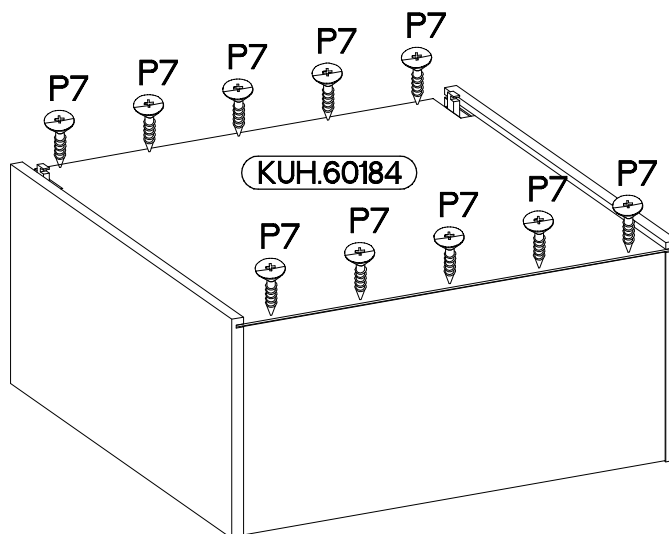
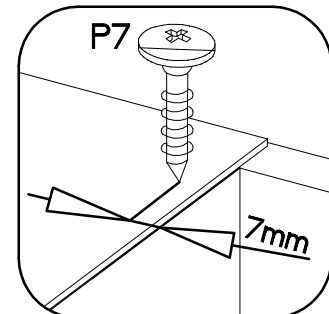
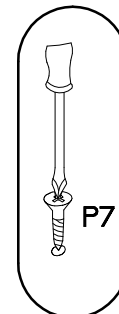
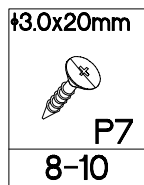
6,4 x 50mm		
		
B	O	E1
4	1	4



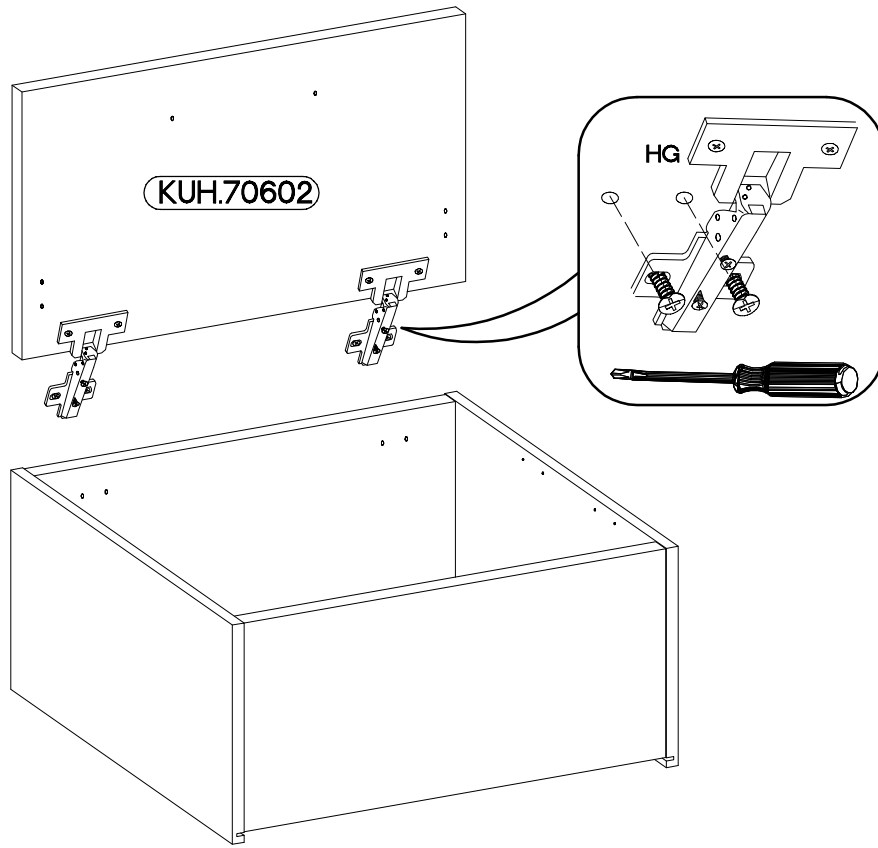
4



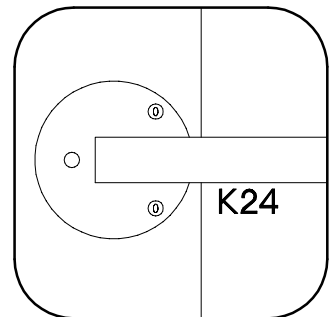
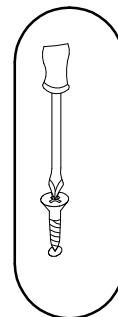
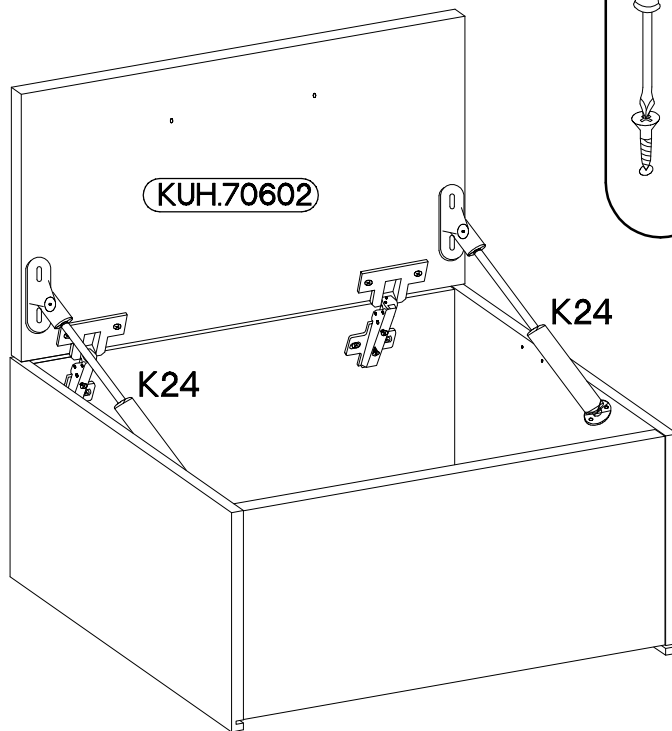
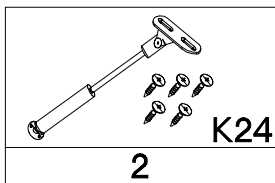
5



6



7



+4.0x30mm



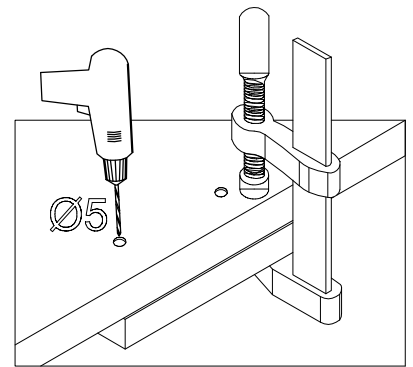
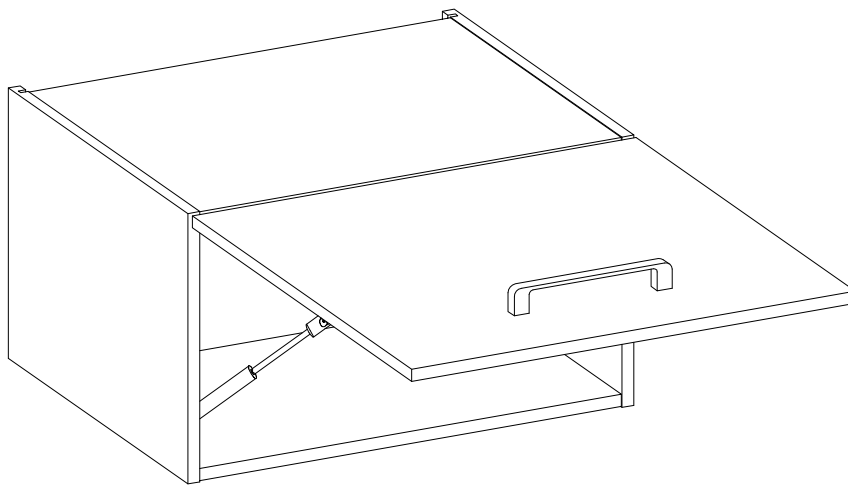
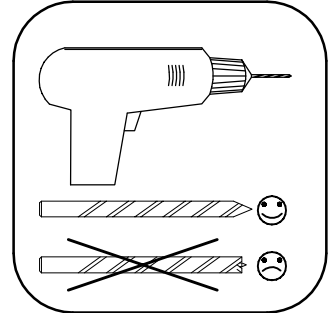
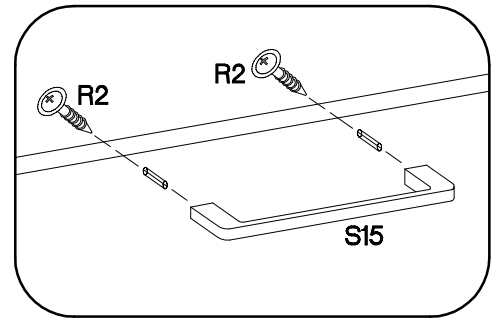
R2

2

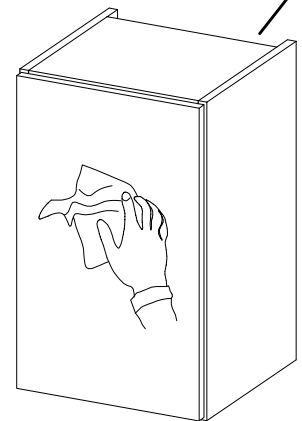
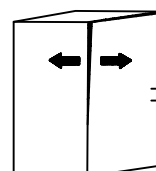
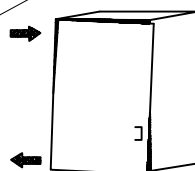
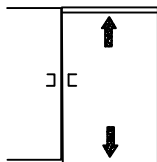
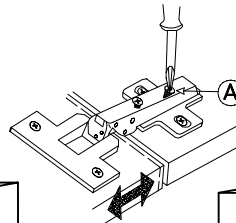
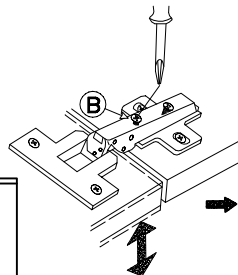
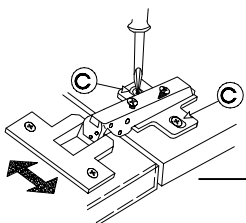
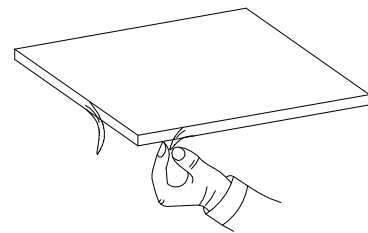


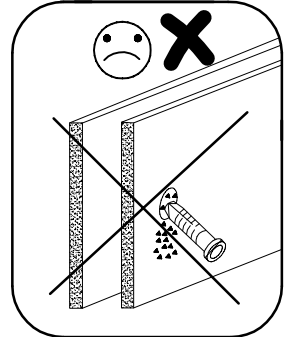
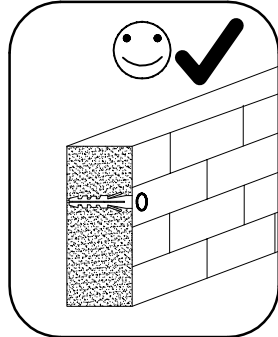
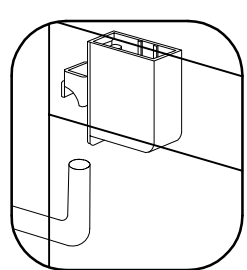
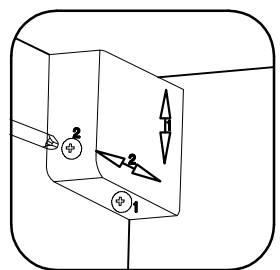
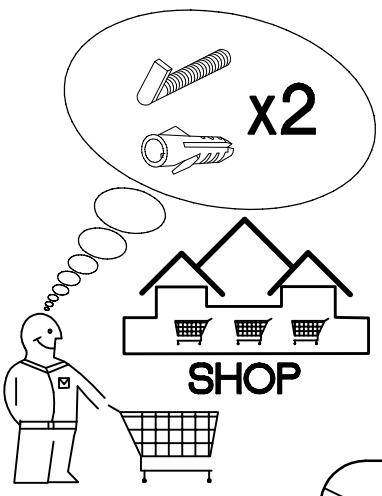
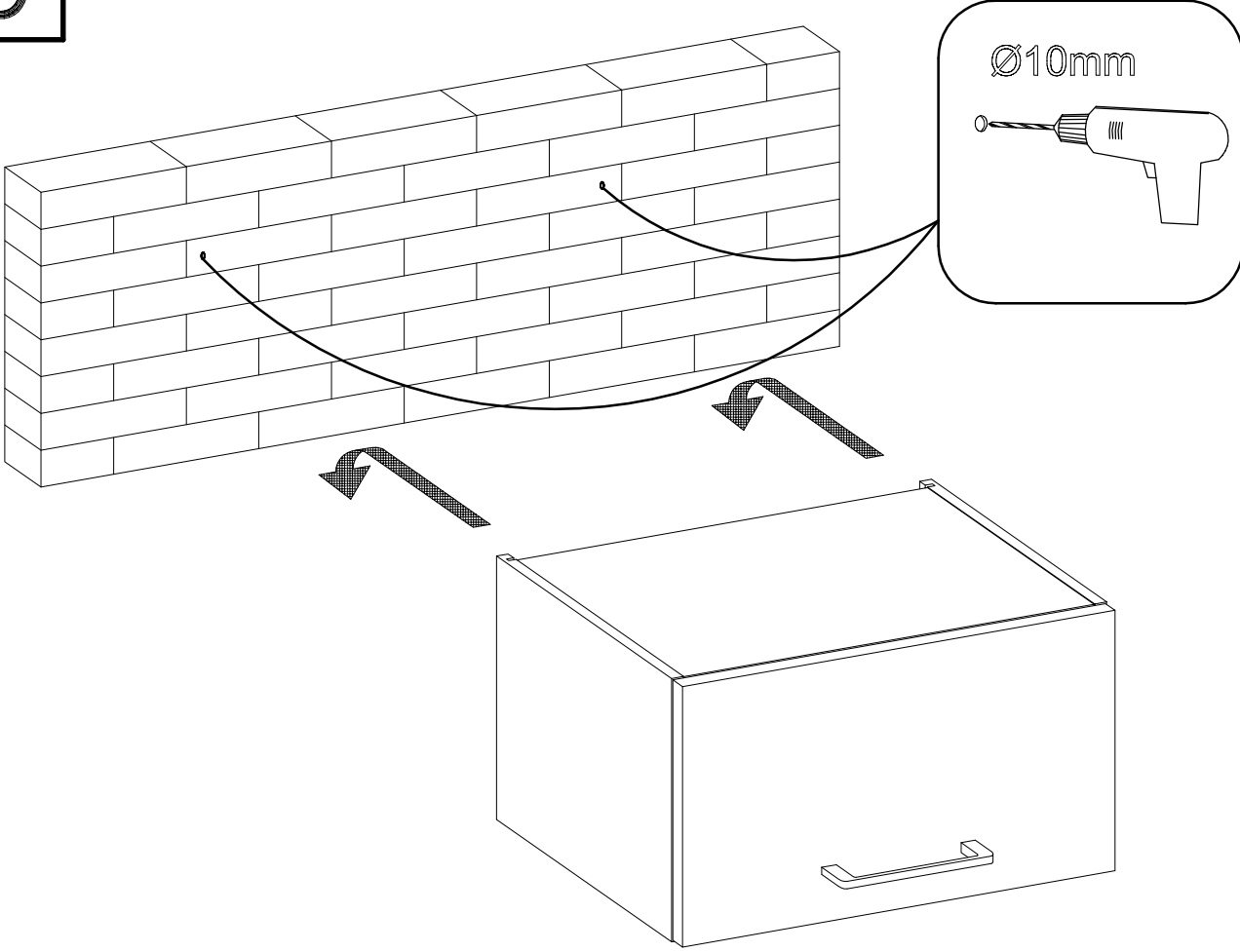
S15

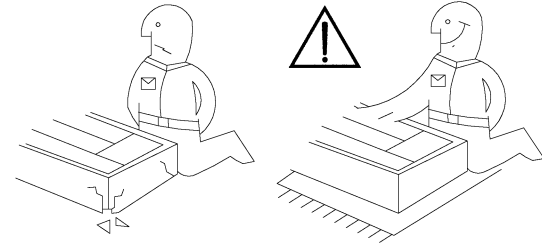
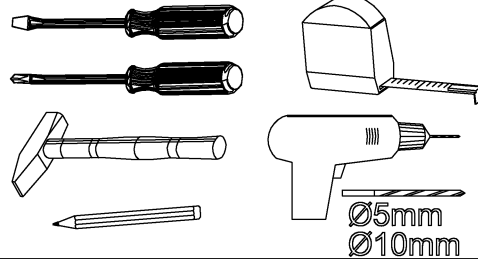
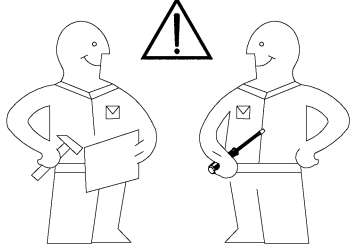
1



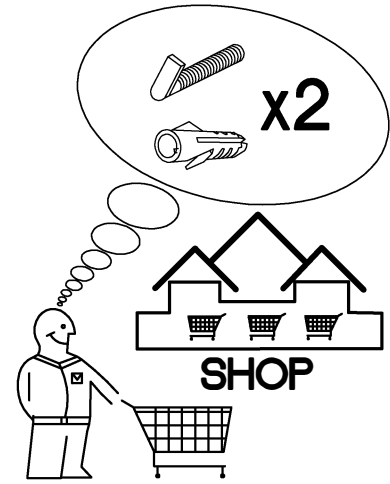
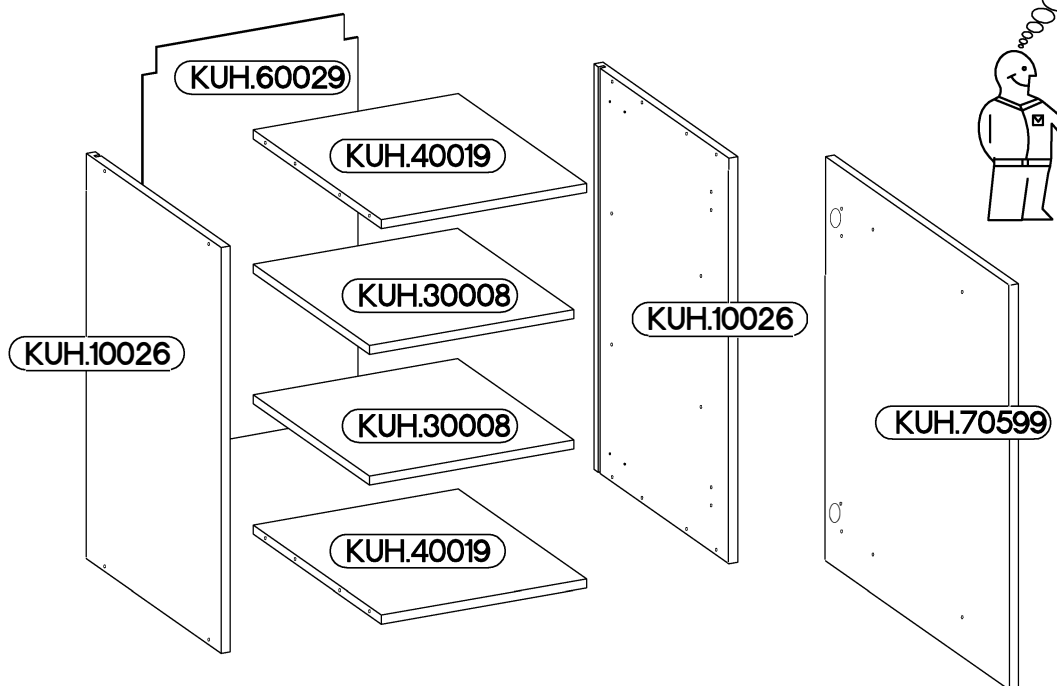
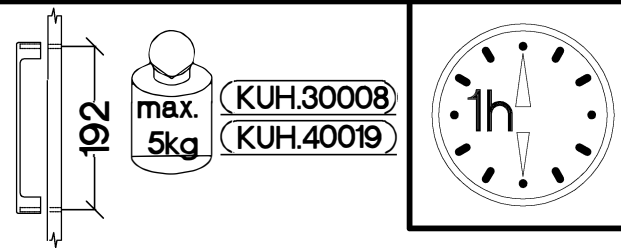
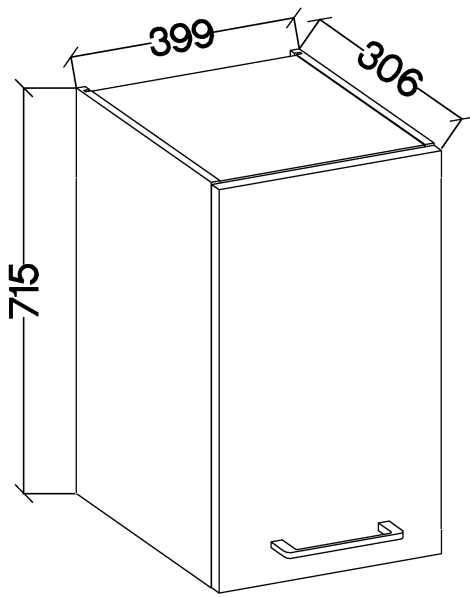
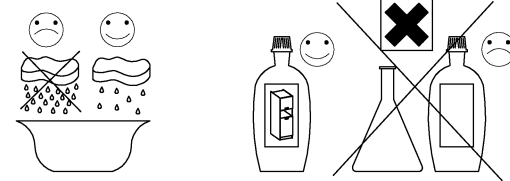
VARIANT HIGH GLOSS




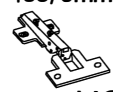

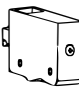
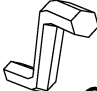







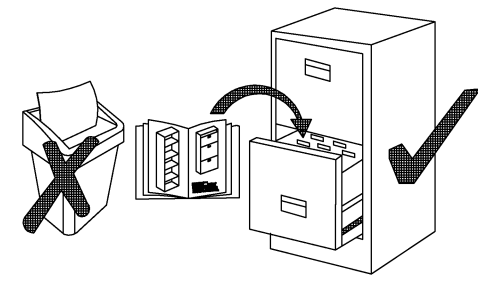




40 G-72 1F VIRION

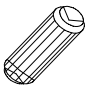

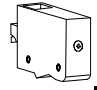


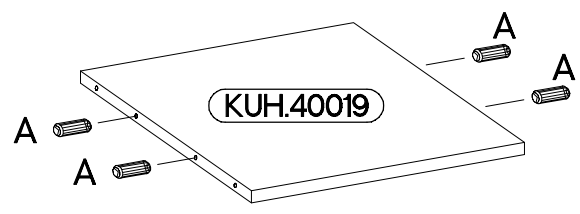
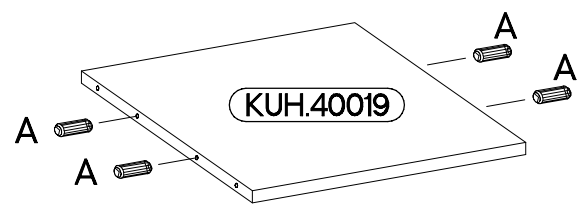
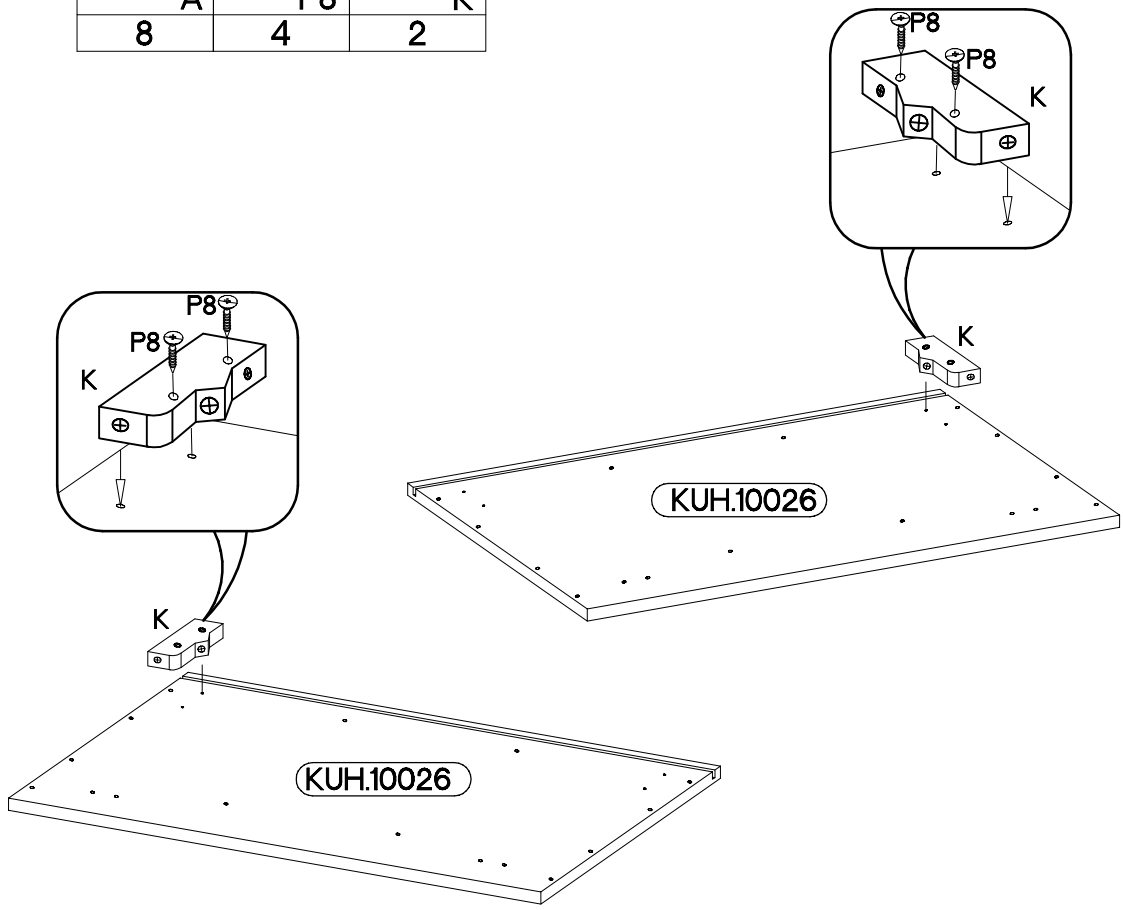
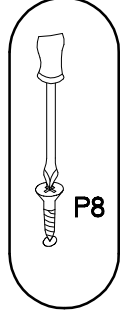
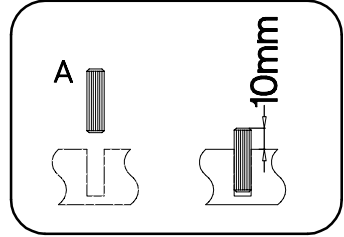
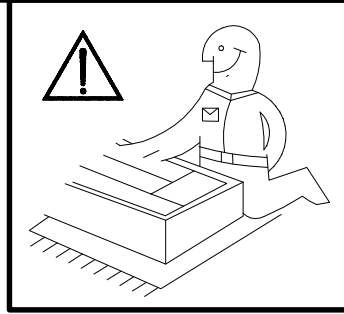
†8x30mm  A	6,4 x 50mm  B	 E1	†35/0mm  HG	†5/19mm  J	 K
8	8	8	2	8	2
 O	†3.5x13mm  P5	†3.0x20mm  P7	†4.0x30mm  P8	†4.0x30mm  R2	 S15
1	4	8-10	4	2	1



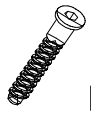
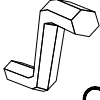

ISM-KUH-00998

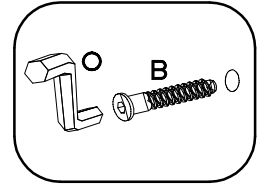
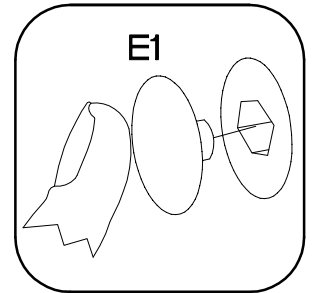
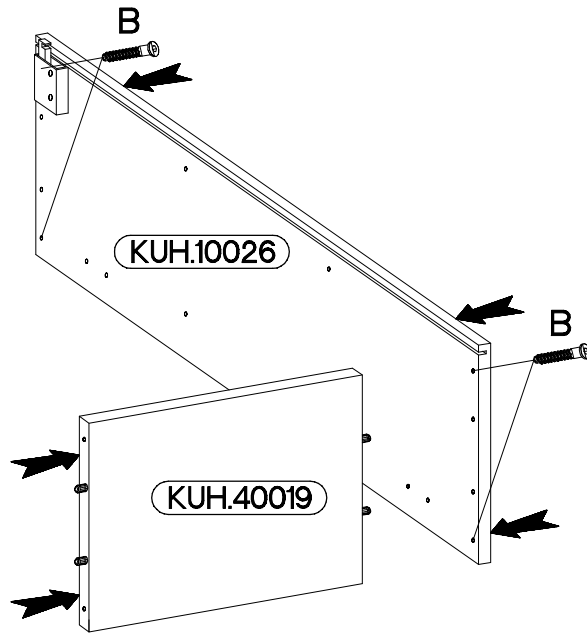
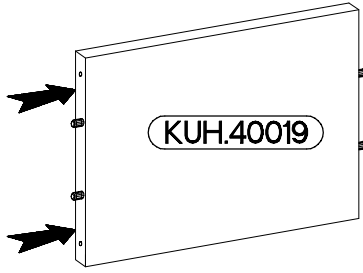
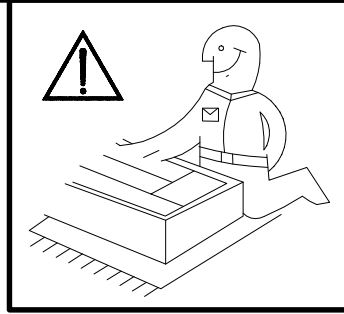
1

$\pm 8 \times 30 \text{mm}$  A 8	$\pm 4.0 \times 30 \text{mm}$  P8 4	 K 2
---	--	--


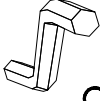



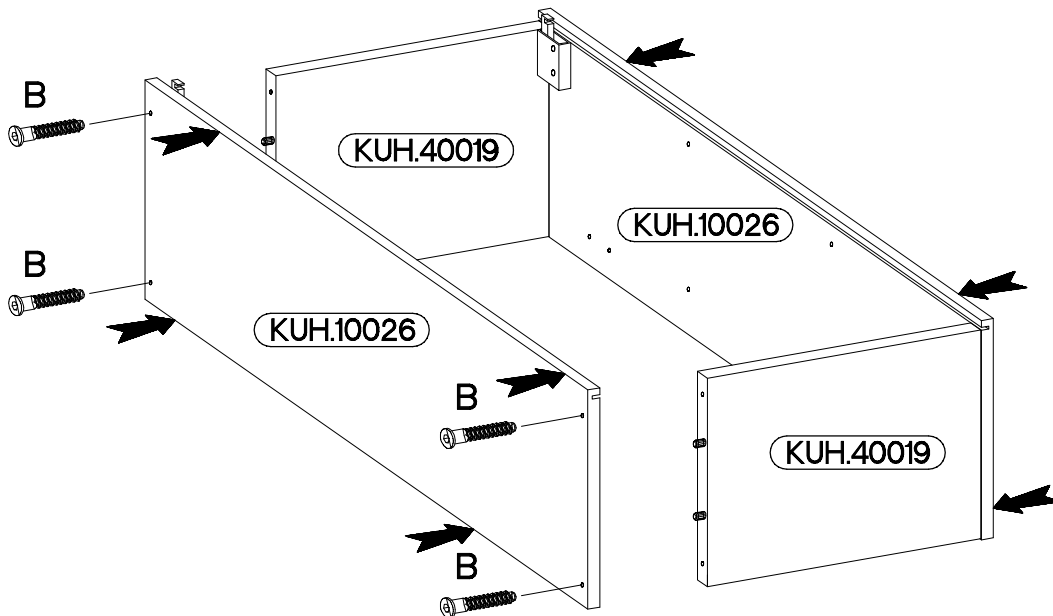
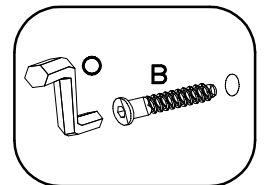
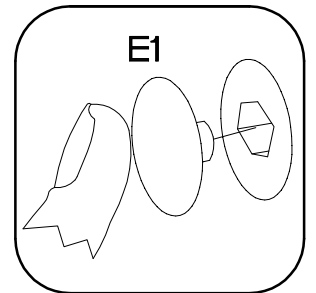
2

6,4 x 50mm		
		
B	O	E1
4	1	4

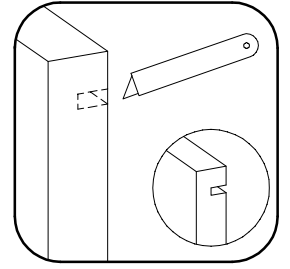
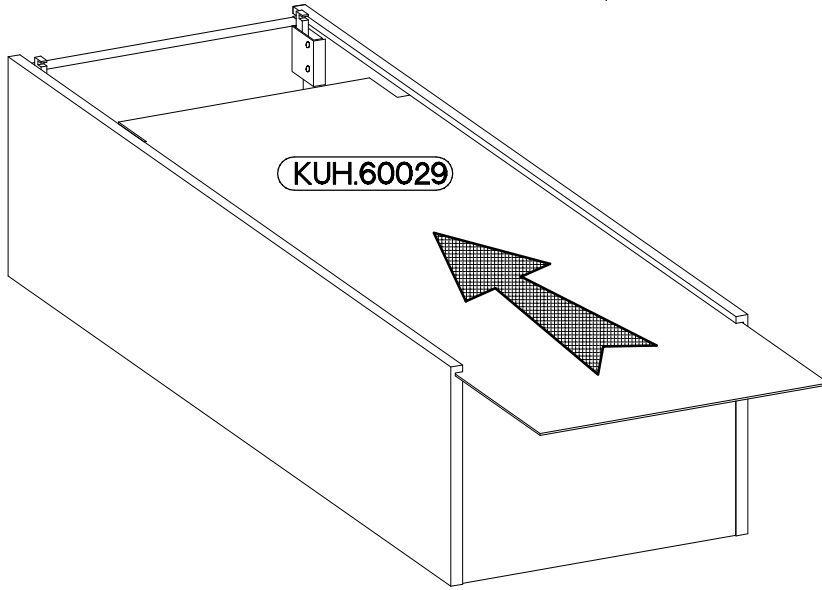
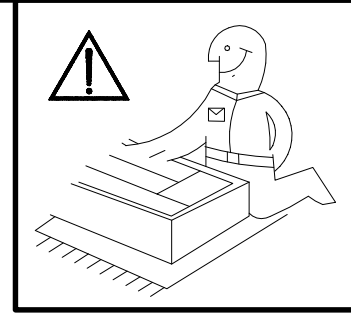
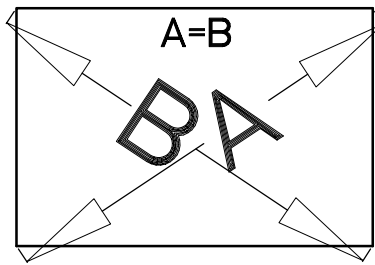


3

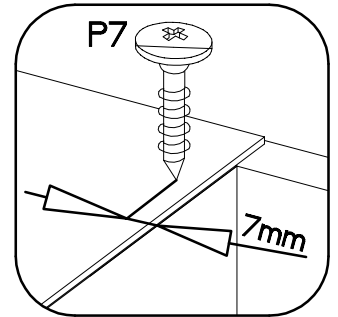
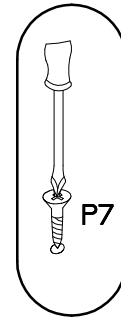
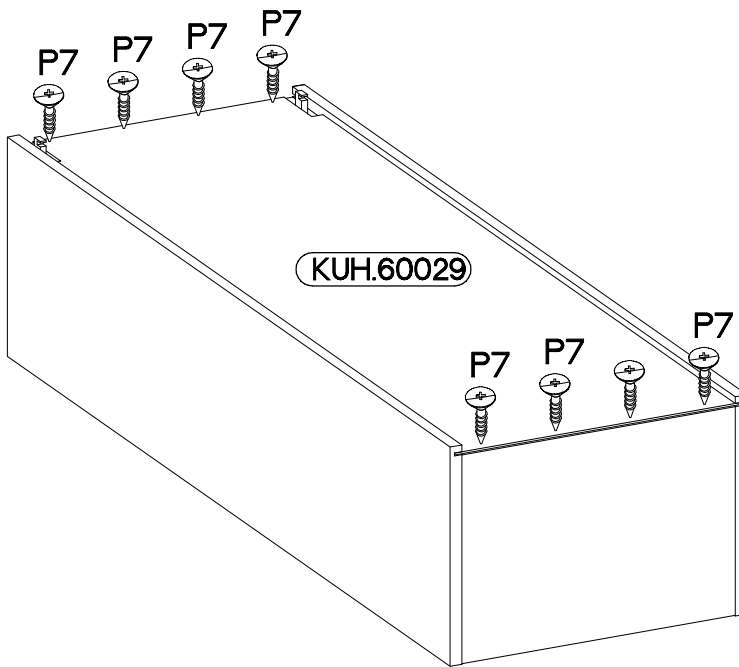
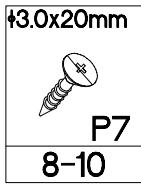
6,4 x 50mm		
		
B	O	E1
4	1	4



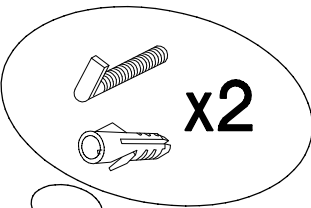
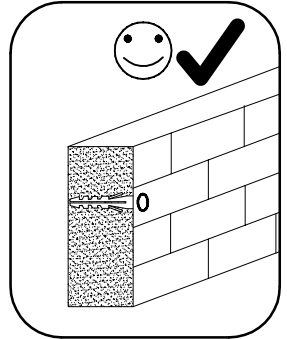
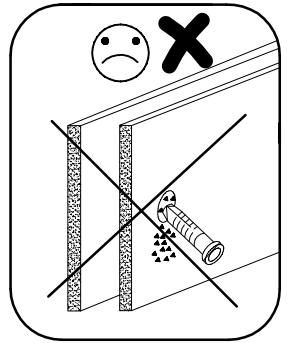
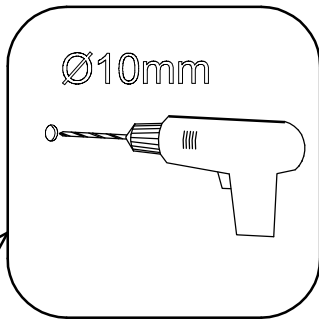
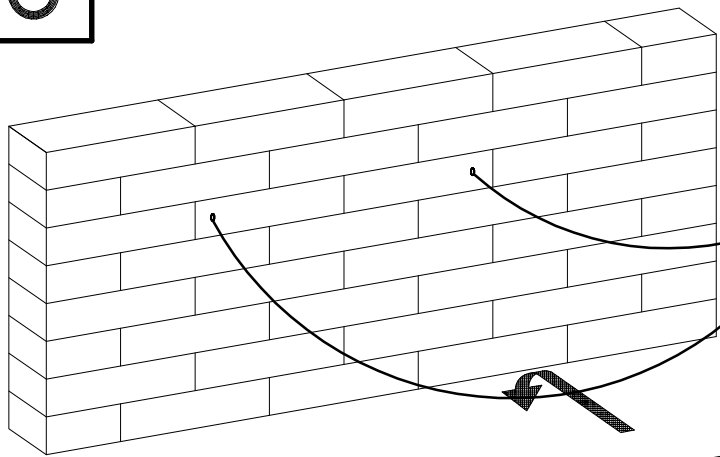
4



5



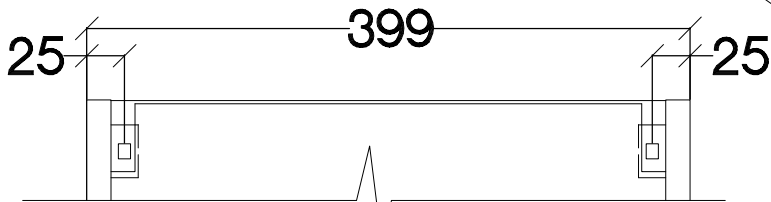
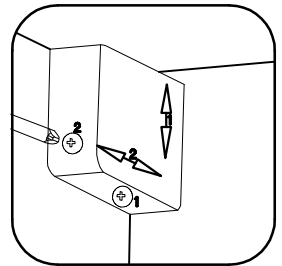
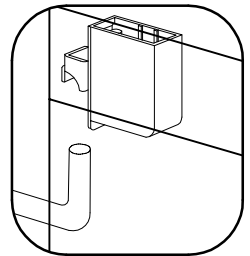
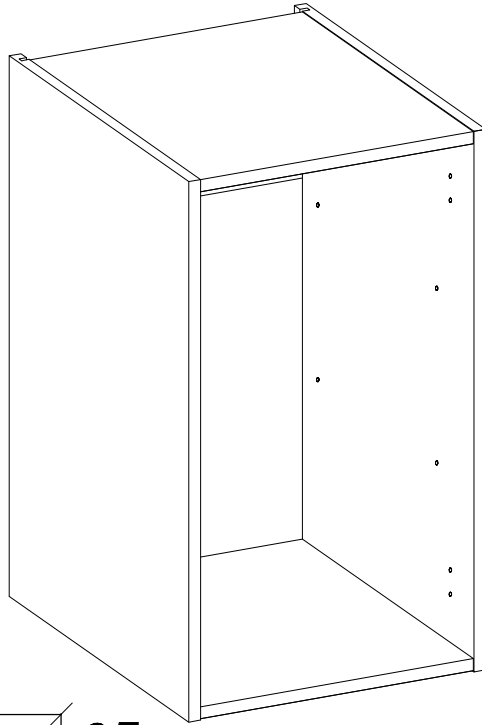
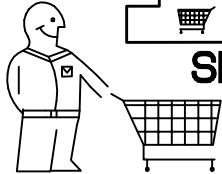
6



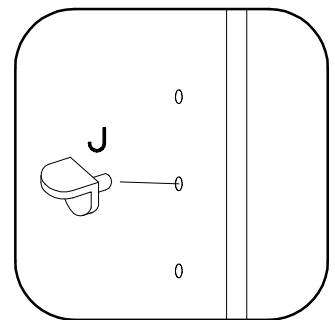
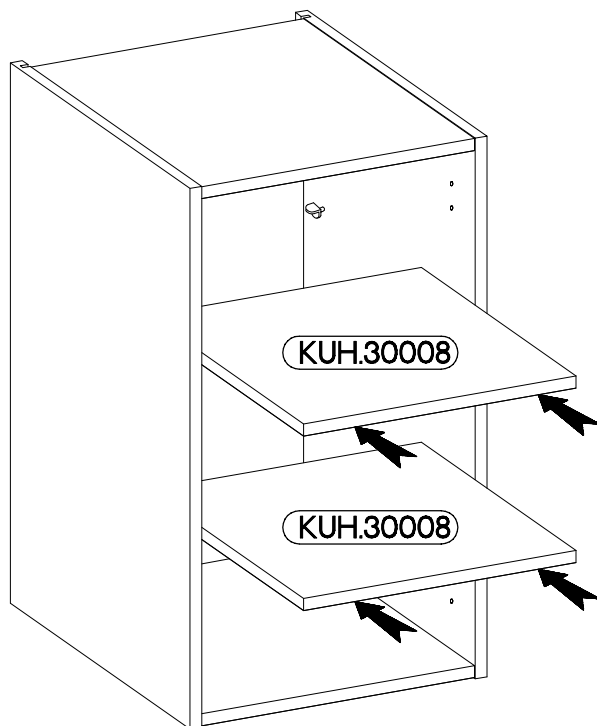
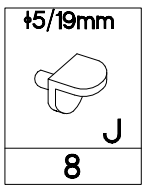
x2



SHOP



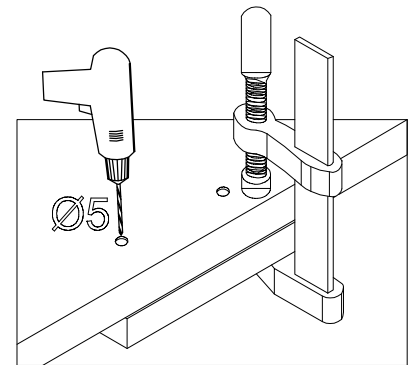
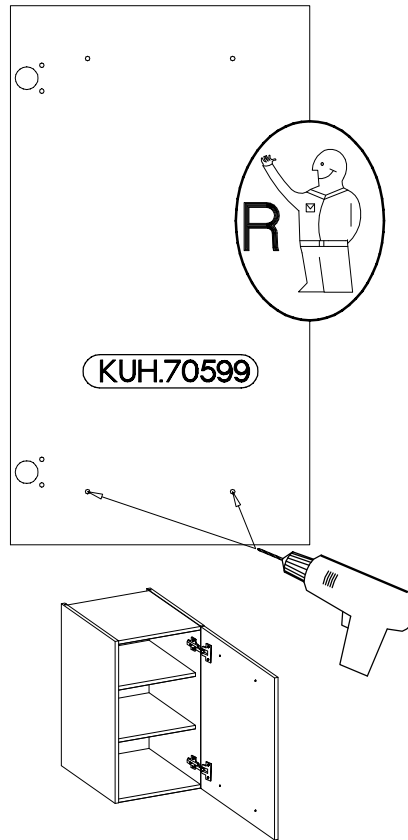
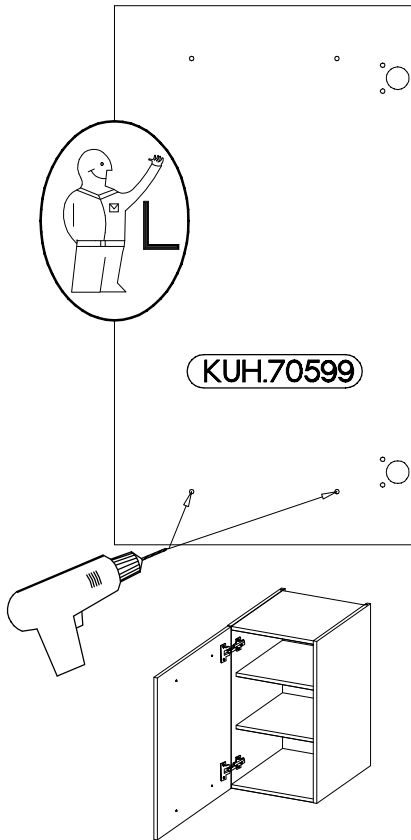
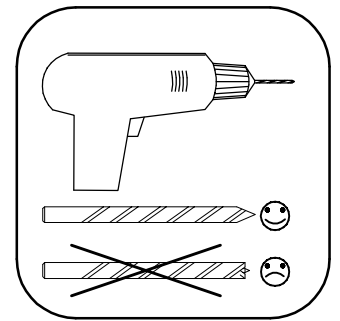
7



8

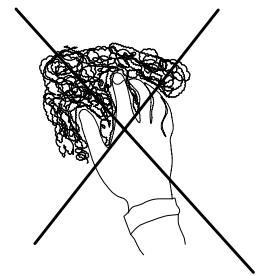
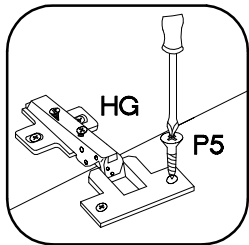
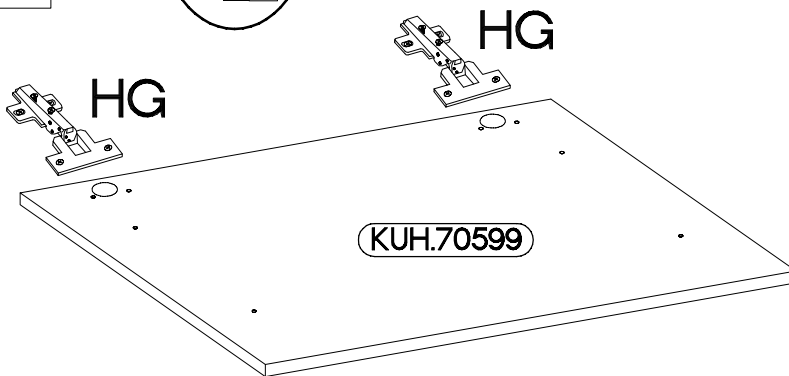
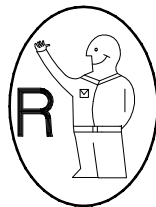
LEFT

RIGHT

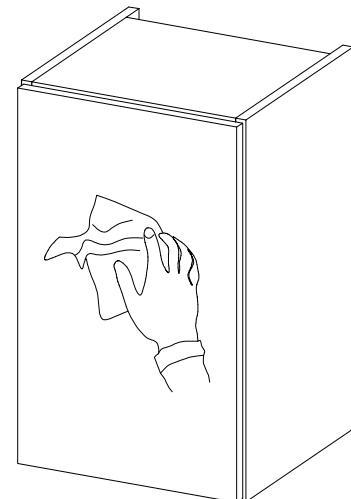
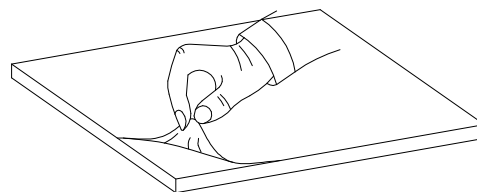
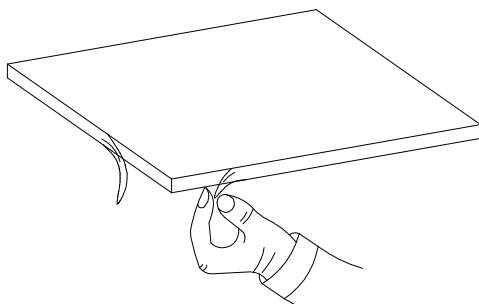




9

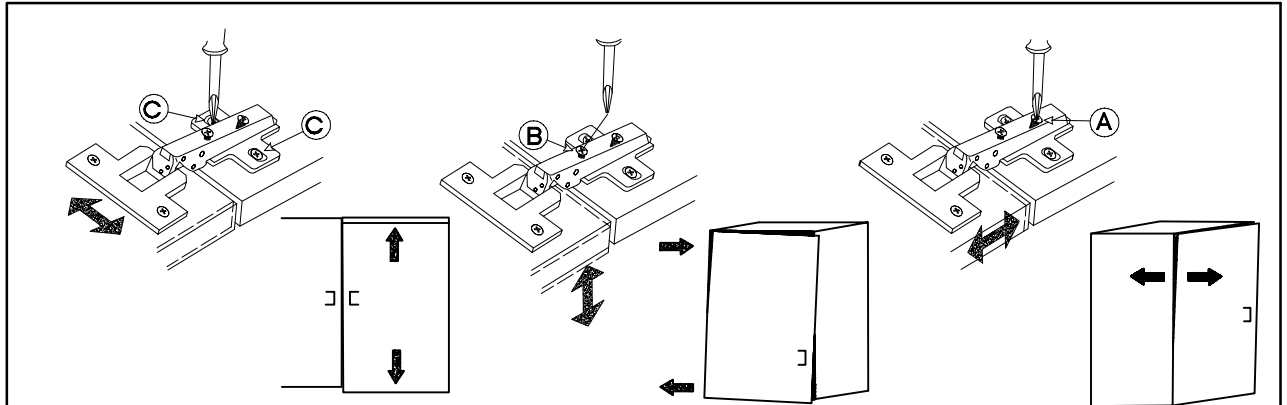
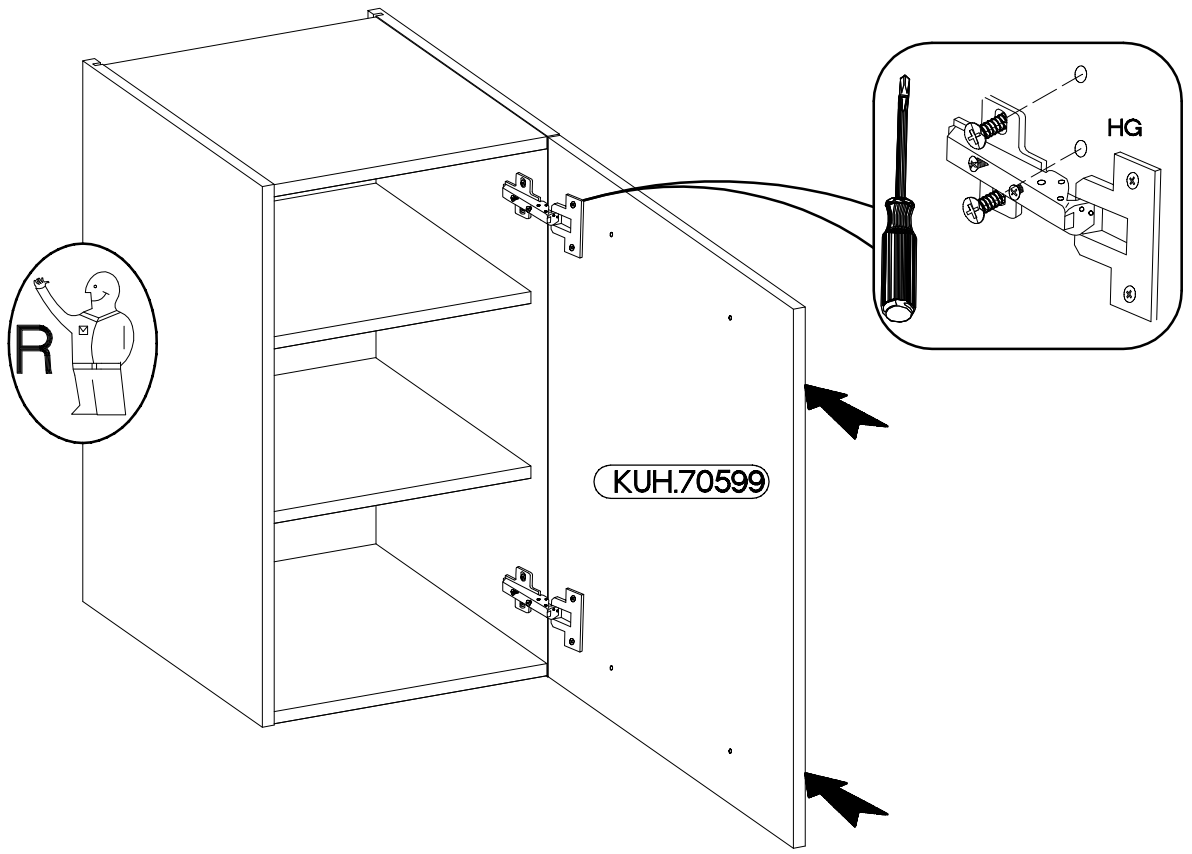
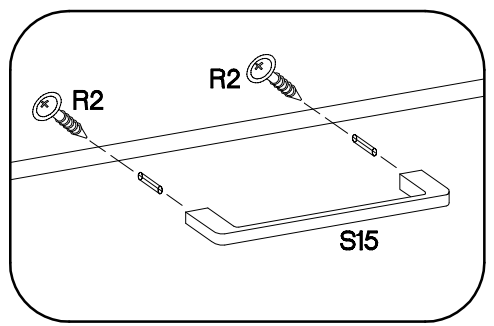
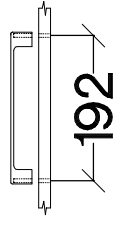
+35/0mm	+3.5x13mm
HG	P5
2	4

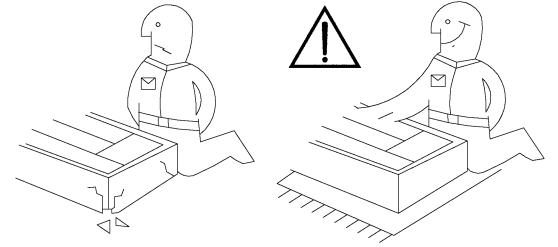
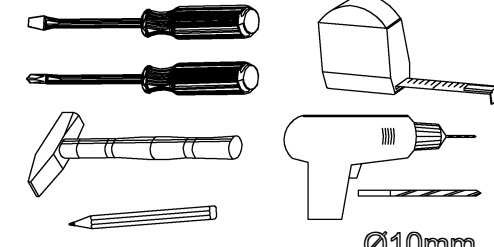
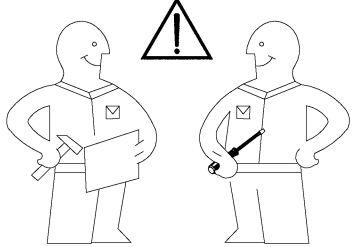


VARIANT HIGH GLOSS

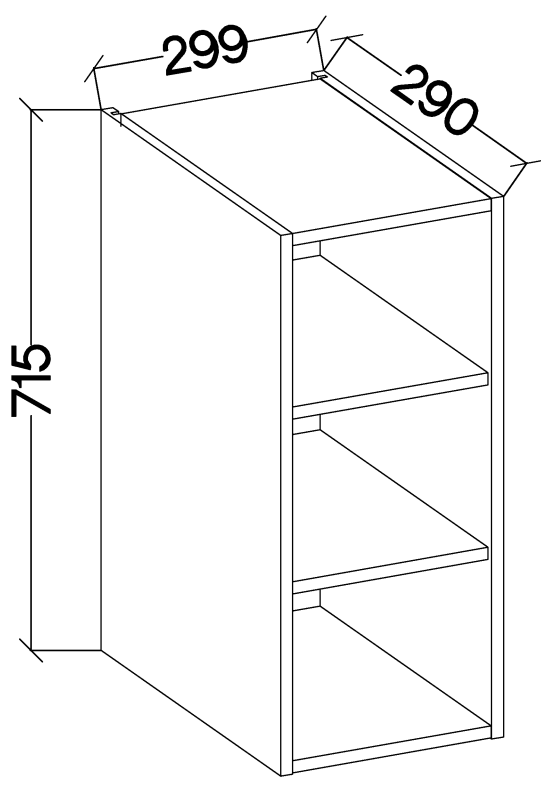
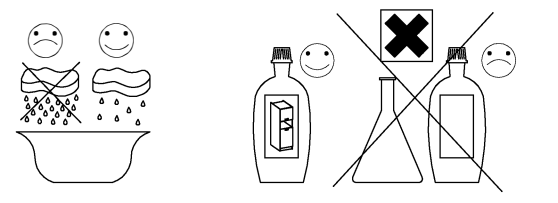


4.0x30mm		
	R2	S15
	2	1

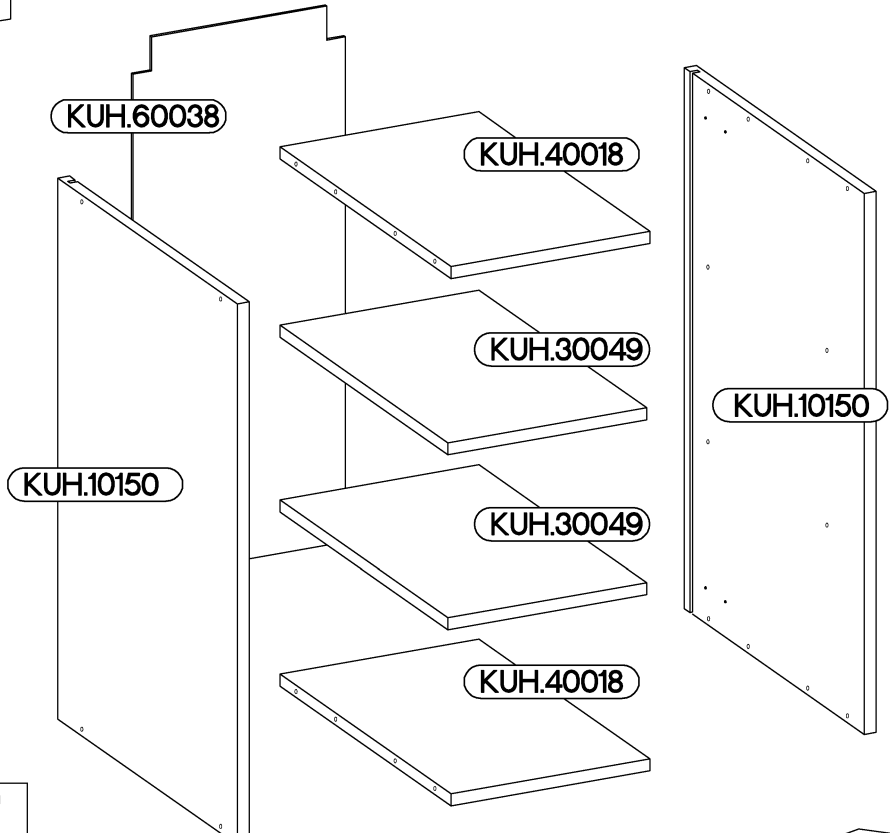
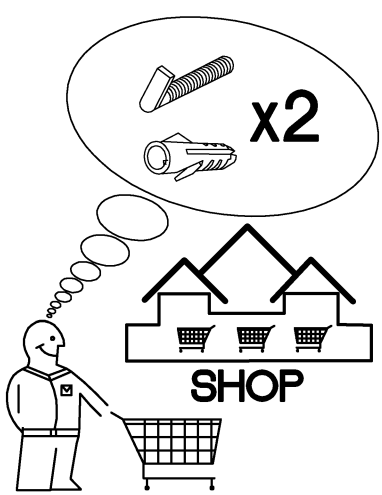
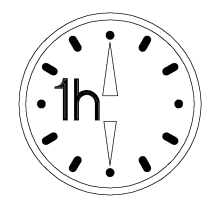




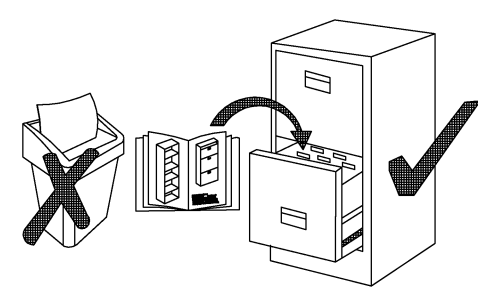
30 G-72 OTW VIRION



max. 5kg
 KUH.30049
 KUH.40018

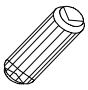

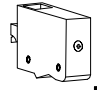


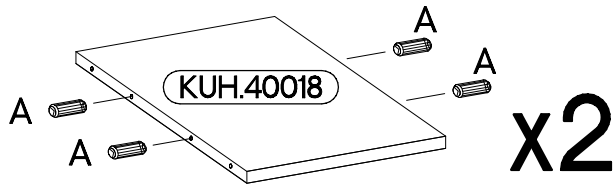
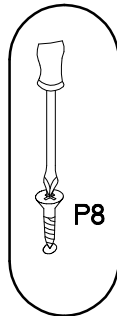
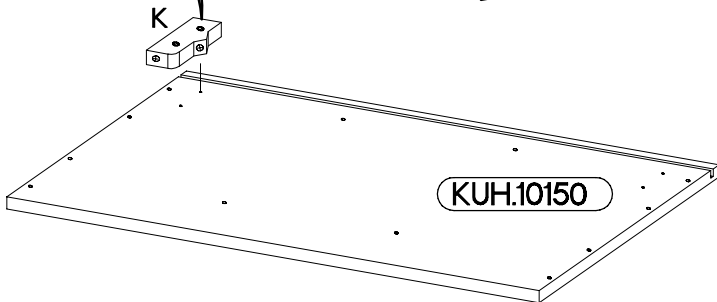
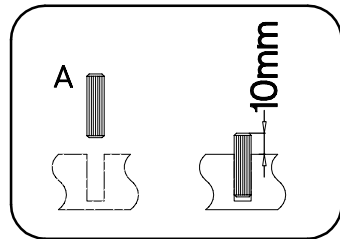
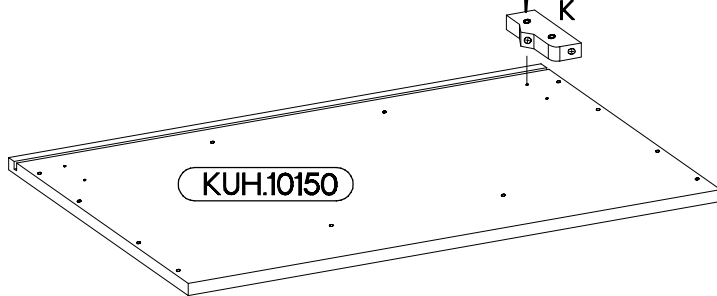
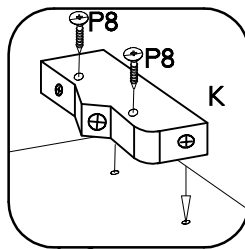
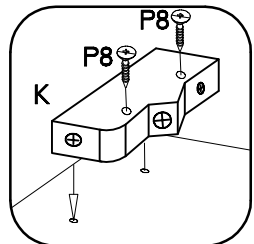
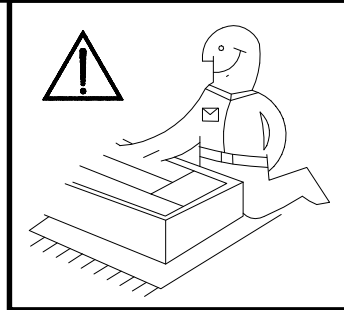
 †8x30mm A 8	 6,4 x 50mm B 8	 E1 8	 J 8
 K 2	 O 1	 †3.0x20mm P7 6	 †4.0x30mm P8 4




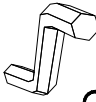

ISM-KUH-01000

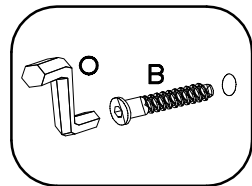
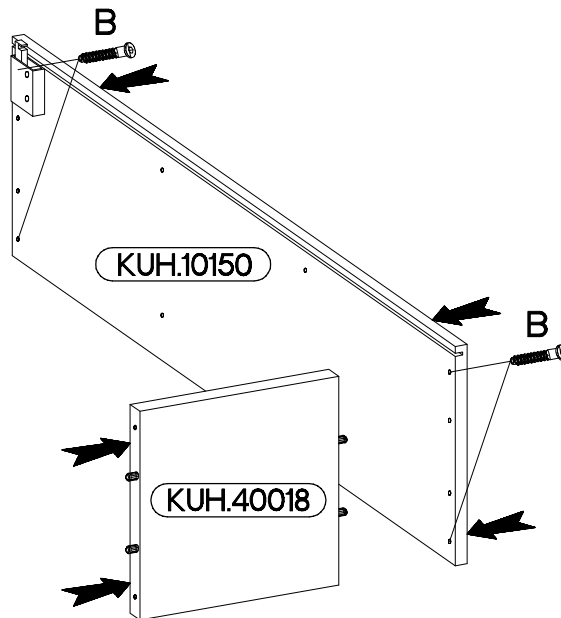
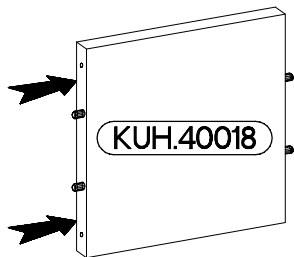
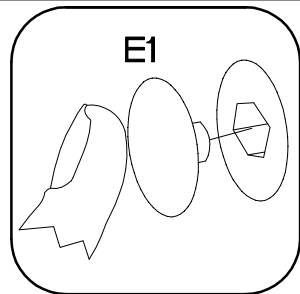
1

†8x30mm  A	†4.0x30mm  P8	 K
8	4	2


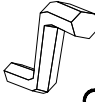



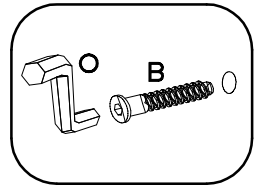
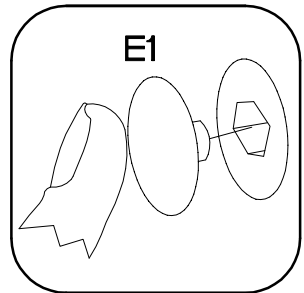
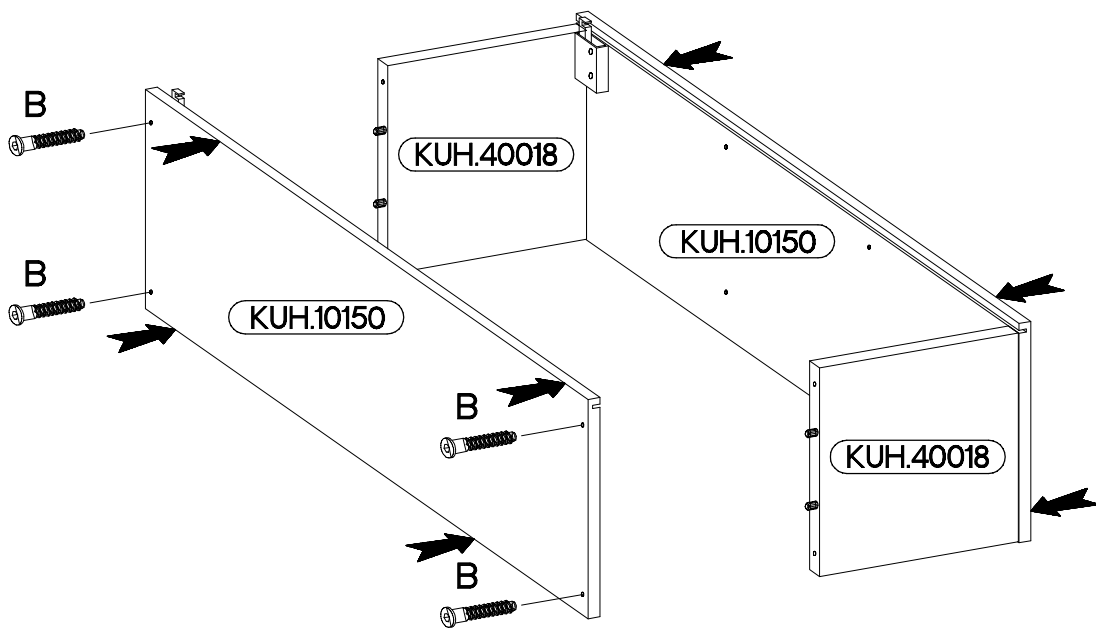
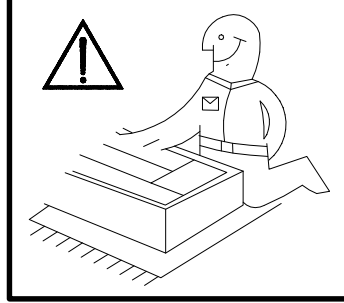
2

6,4 x 50mm  B	 O	 E1
4	1	4




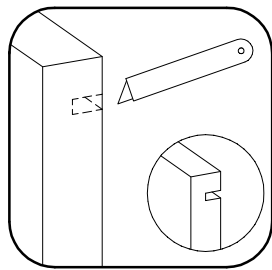
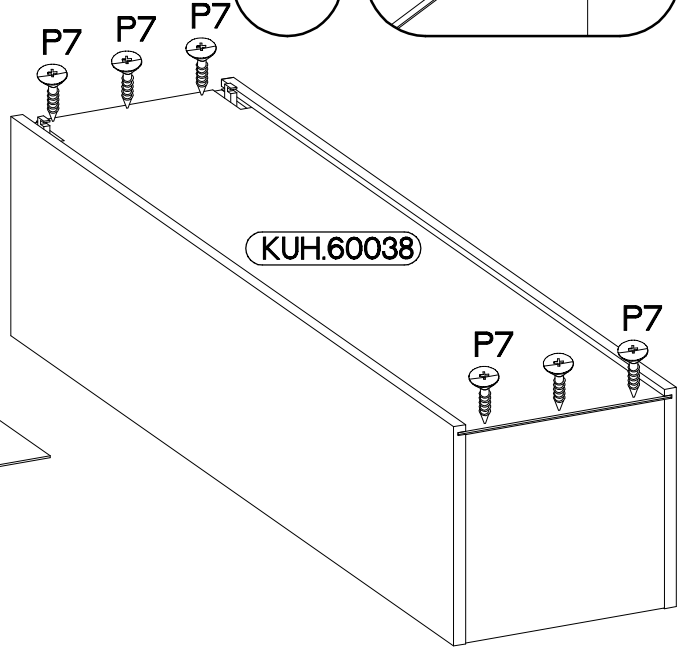
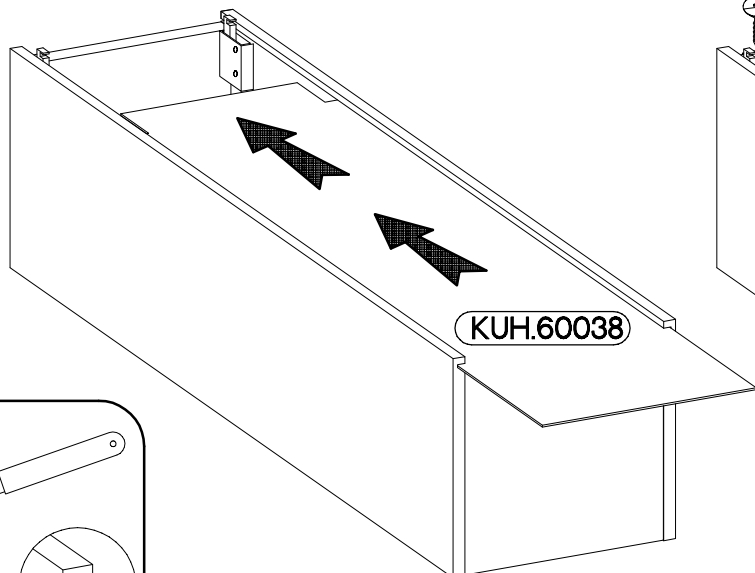
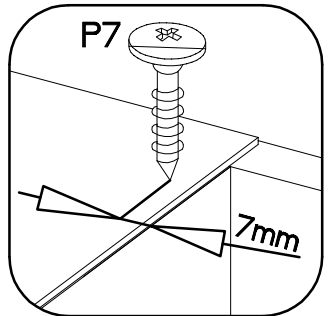
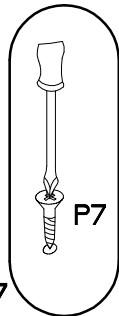
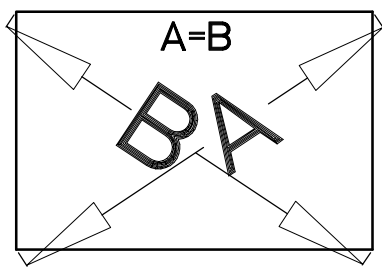
3

6,4 x 50mm		
		
B	O	E1
4	1	4

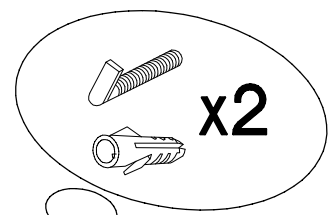
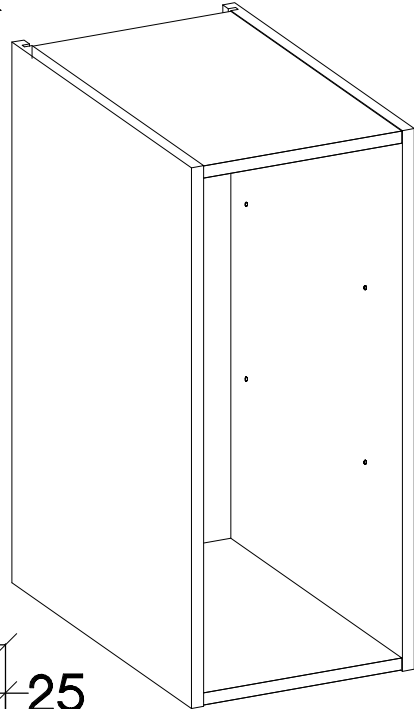
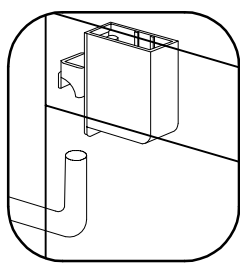
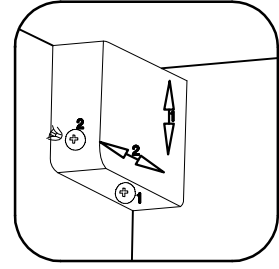
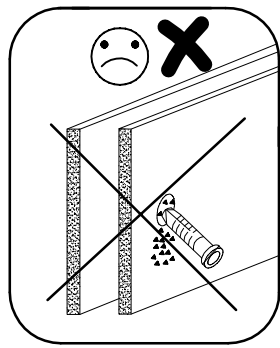
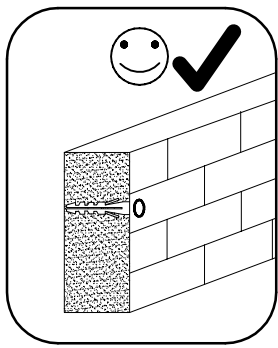
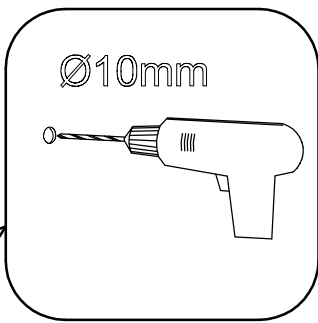
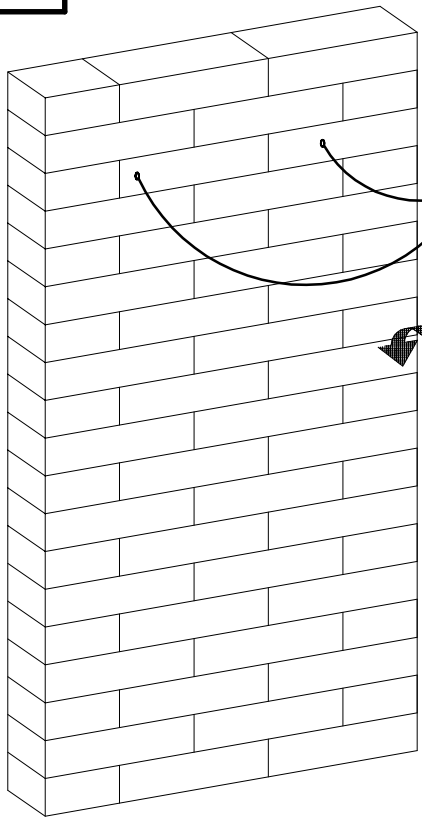


4

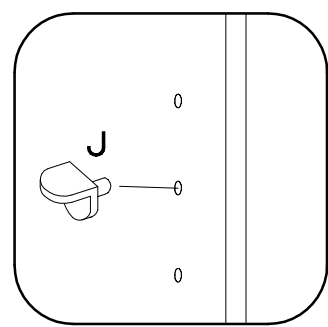
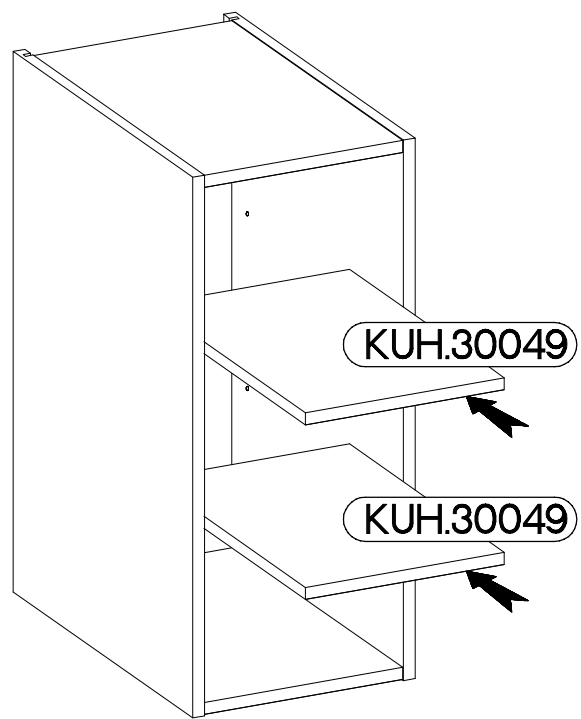
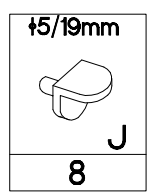
#3.0x20mm	
	P7
6	

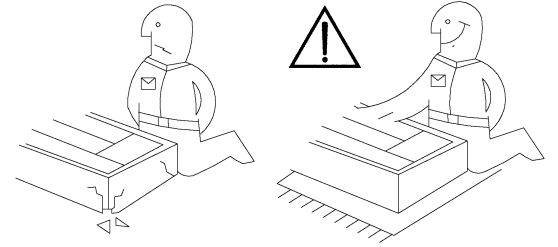
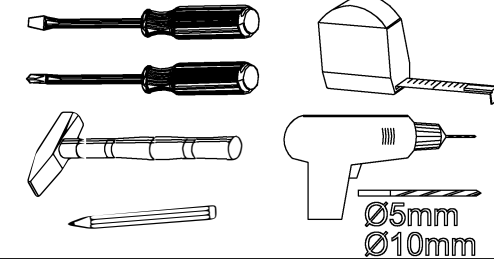
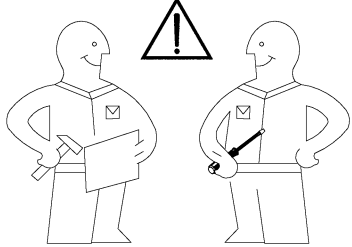


5

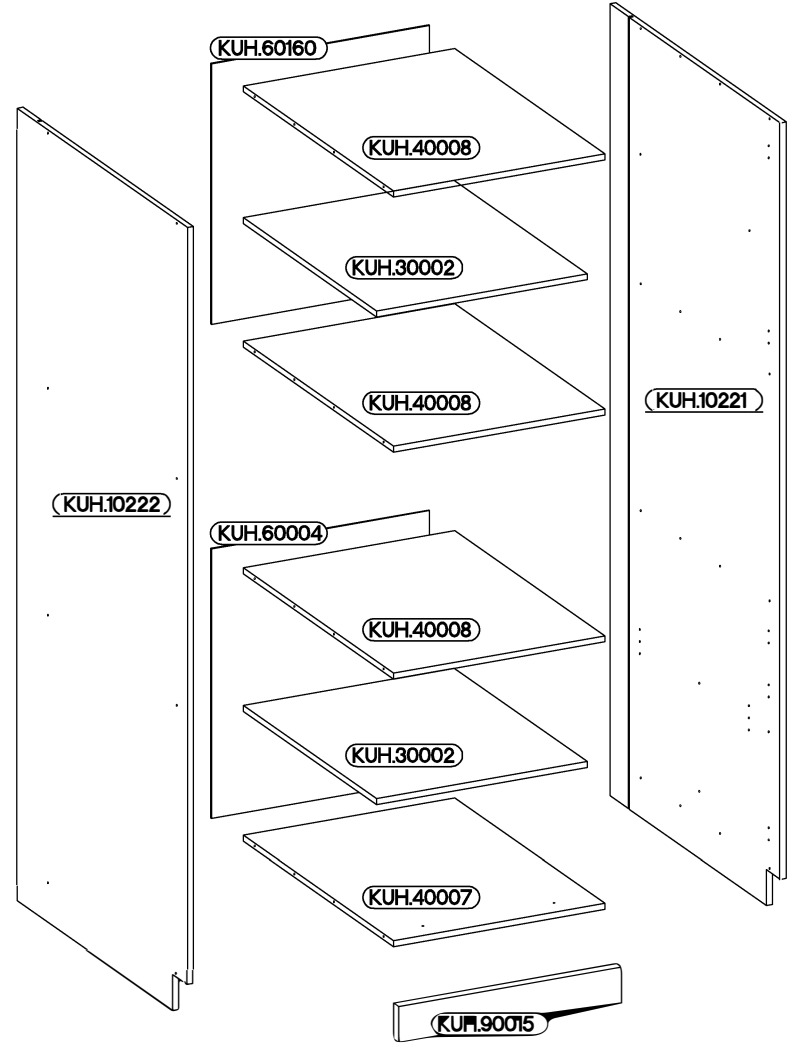
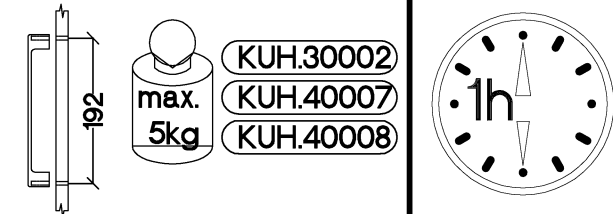
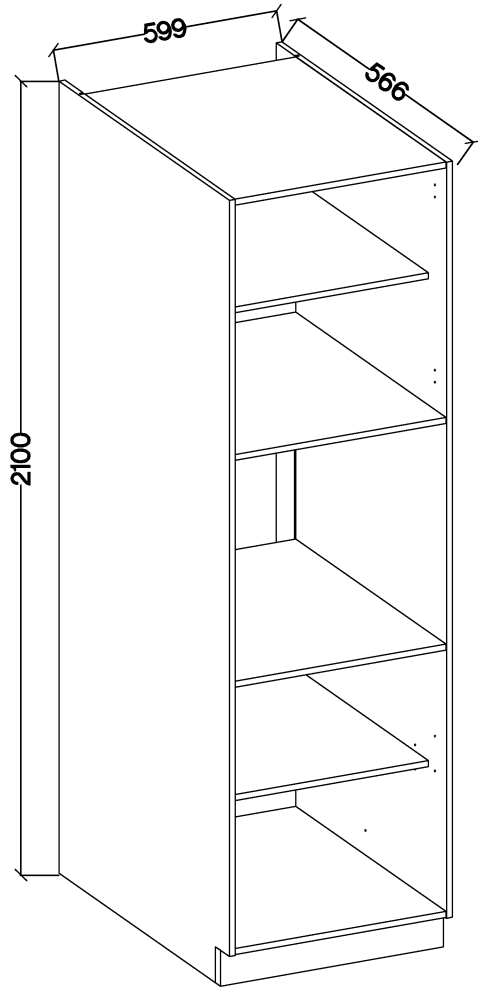


6

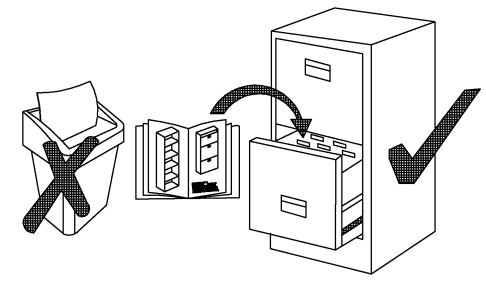





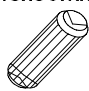
60 DP-2100 VIRION

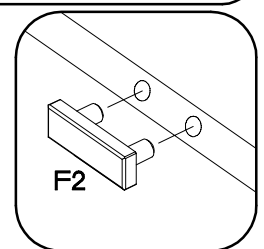
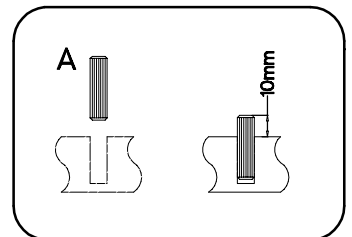
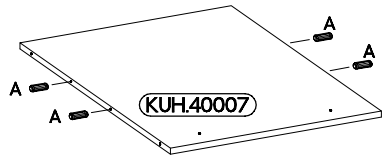
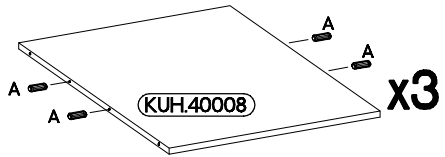
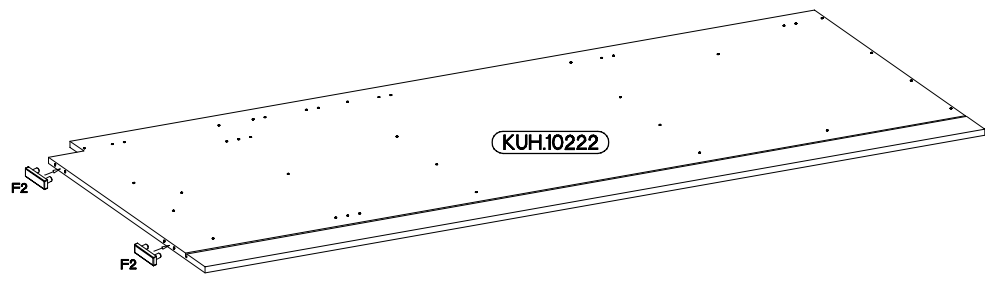
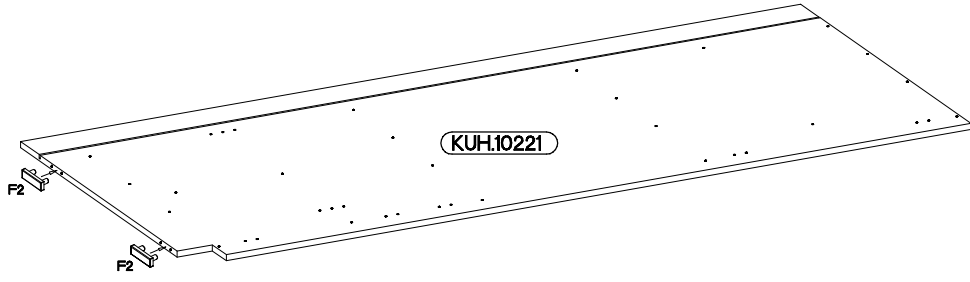
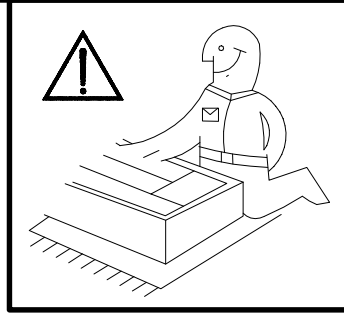


+8x30mm A	6,4 x 50mm B	 E1	 E9		
16	16	16	2		
6.5x48x16 F2	+35/0mm HG	+5/19mm J	 K28	 K29	 L25
4	4	8	2	1	1
 O	+4.0x45mm P4	+3.5x13mm P5	+3.0x20mm P7	+4.0x30mm R2	 S15
1	2	14	15-20	4	2

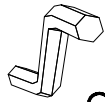



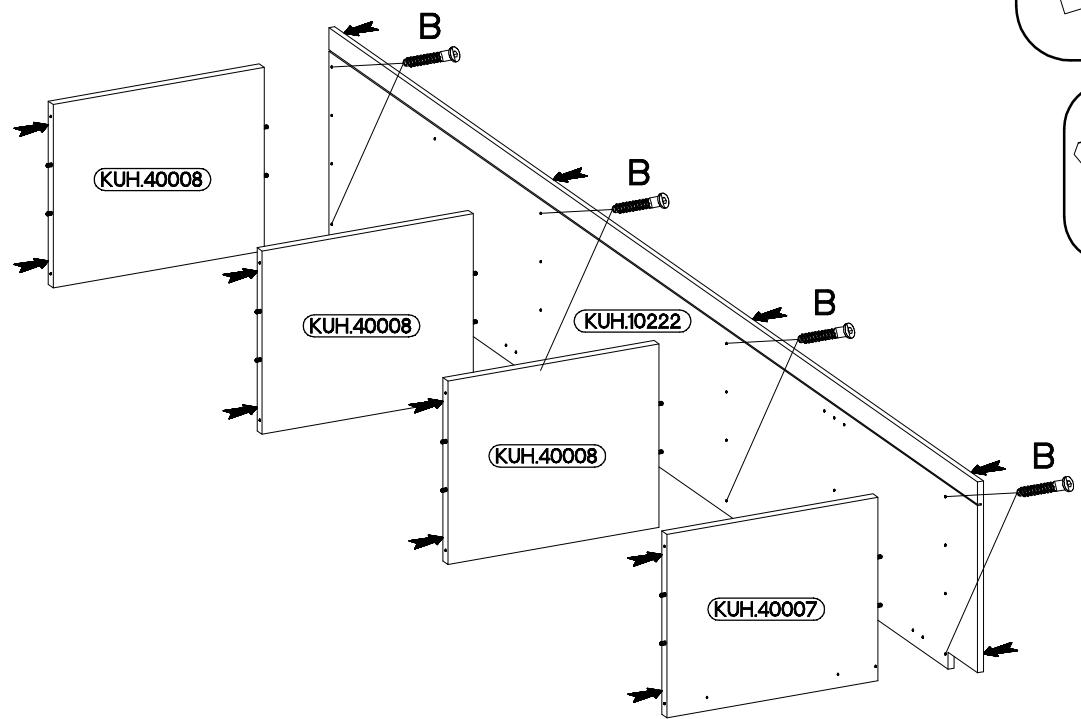
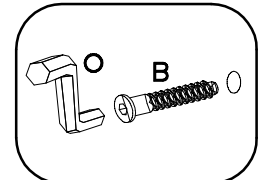
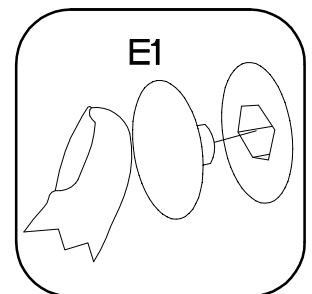
1

6.5x48x16	+8x30mm
	
F2	A
4	16



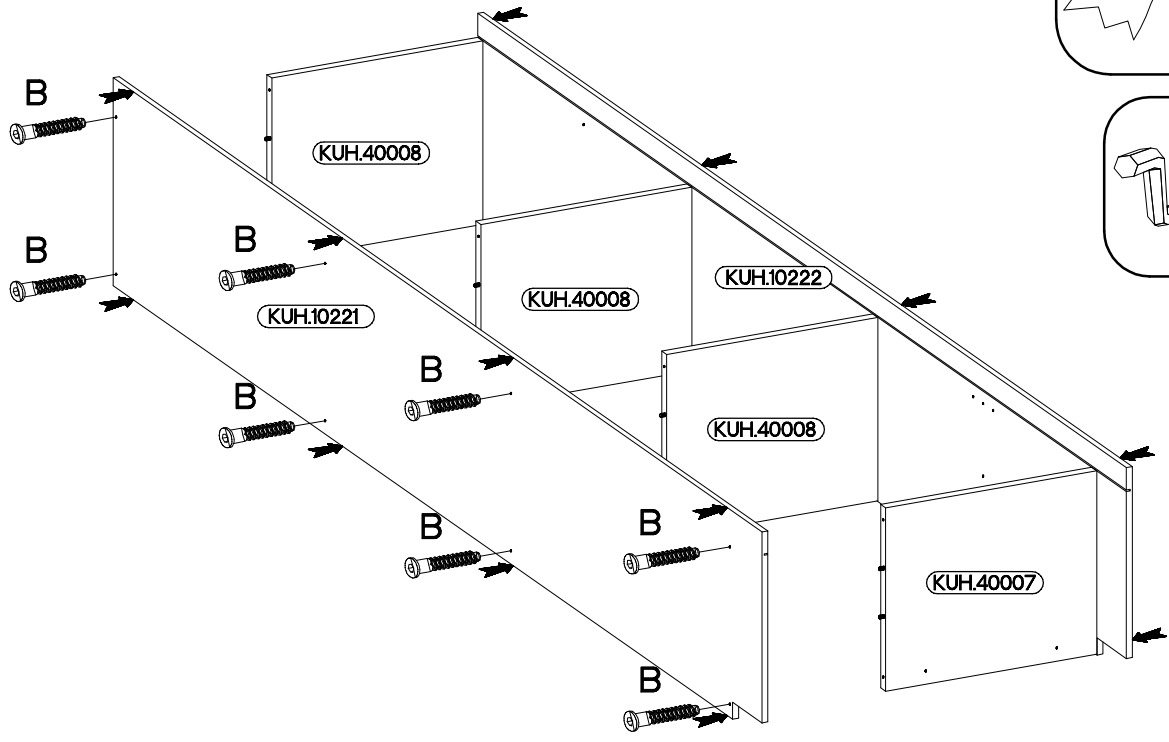
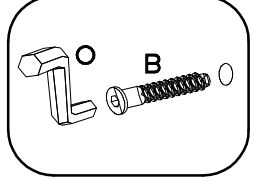
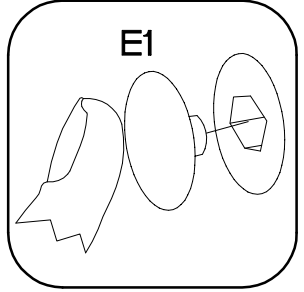
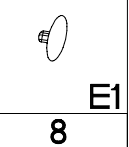
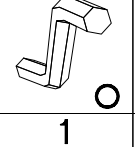
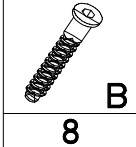
2

6,4 x 50mm		
B	O	E1
8	1	8

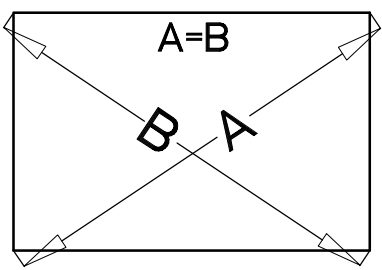
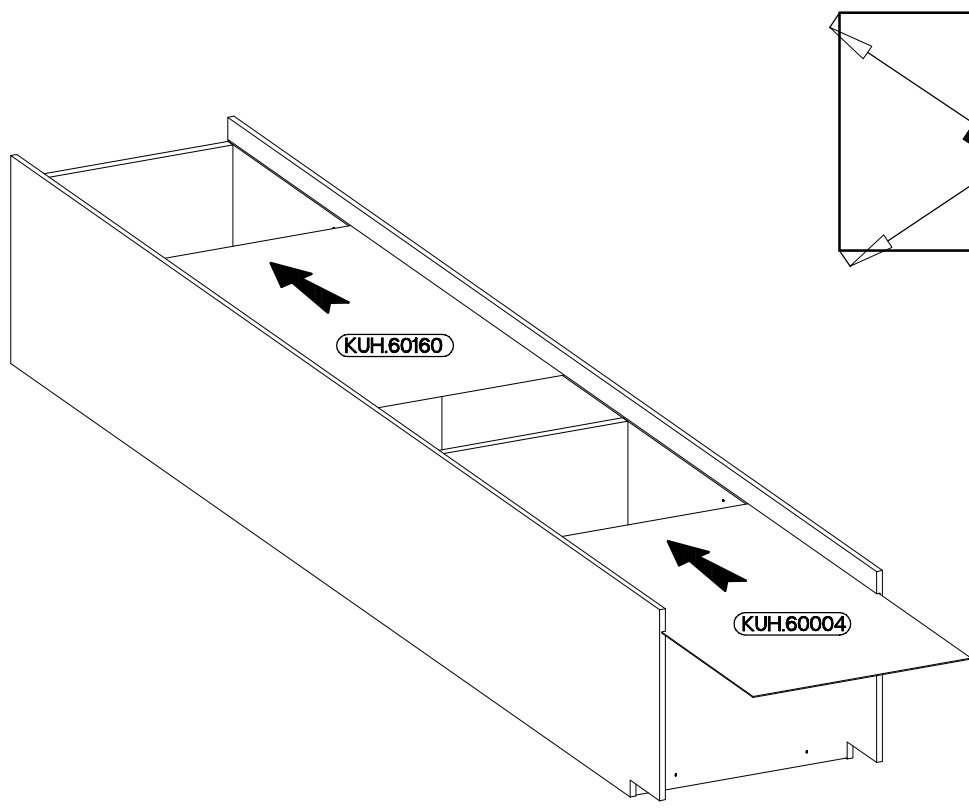


3

6,4 x 50mm



4



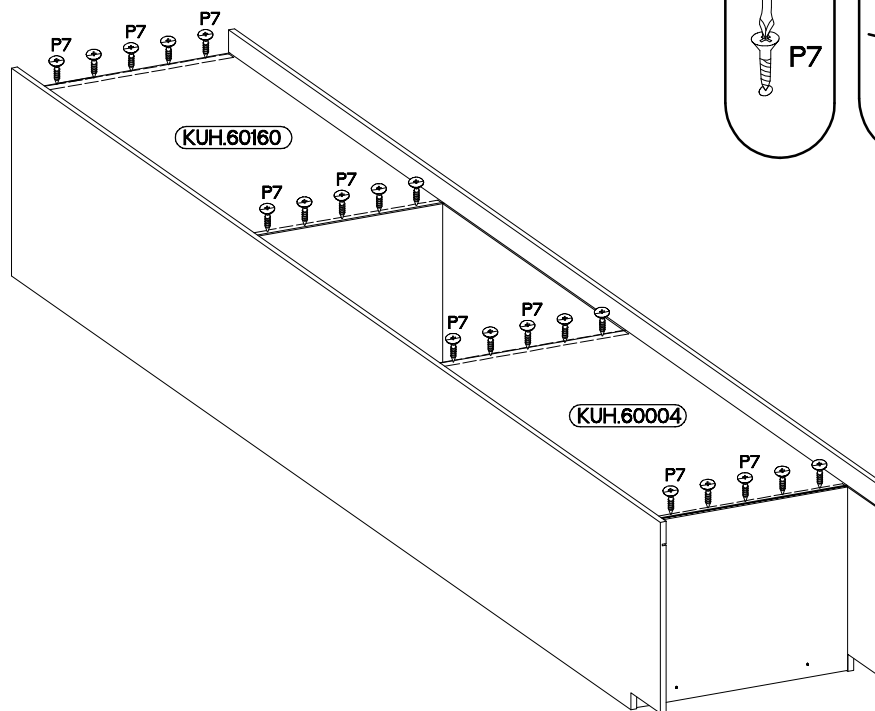
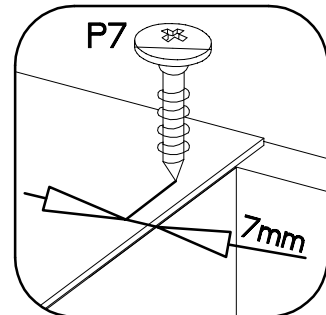
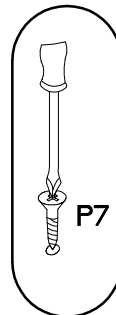
5

±3.0x20mm



P7

15-20



6

±4.0x45mm



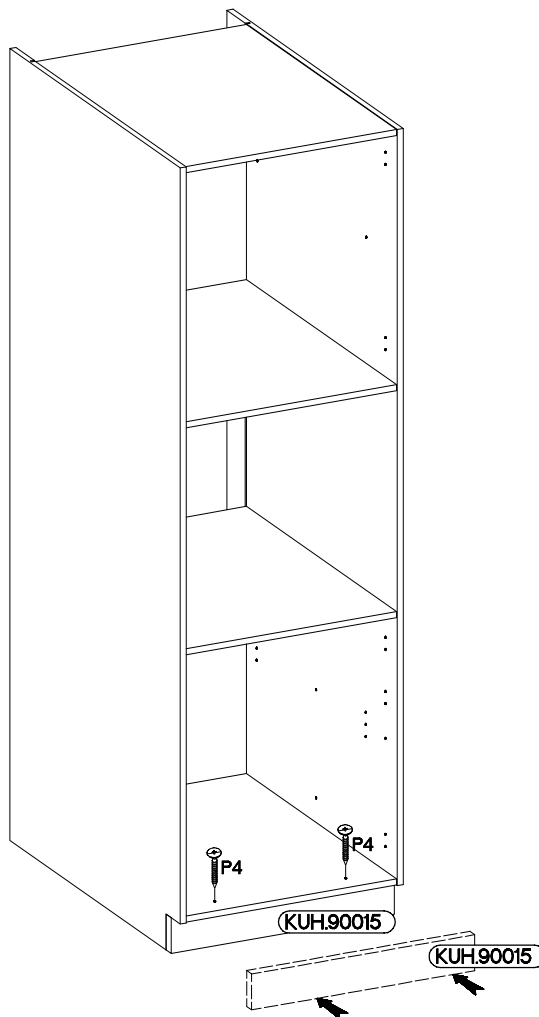
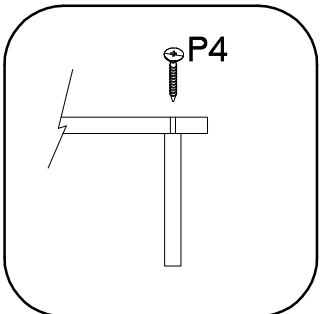
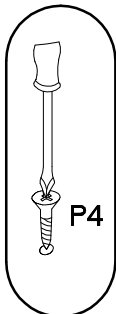
P4

2



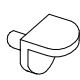
E9

2



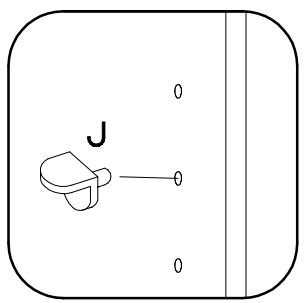
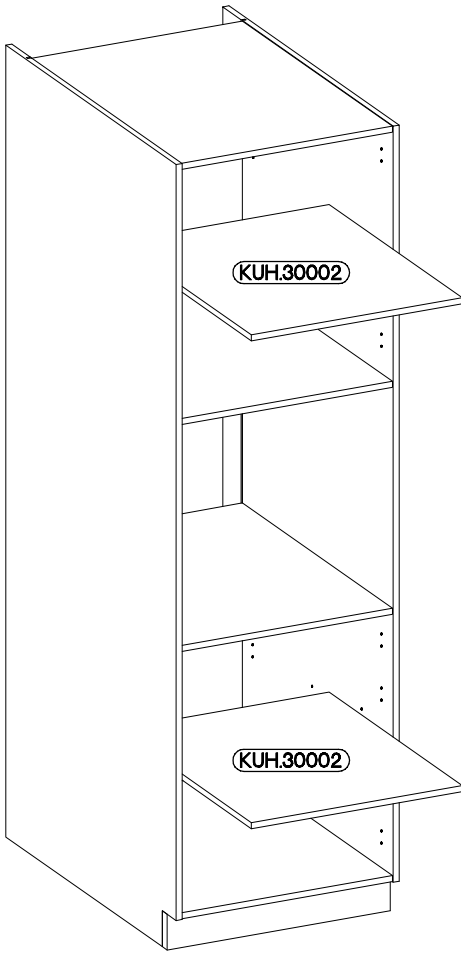
7

±5/19mm



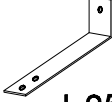
J

8




8

±3.5x13mm



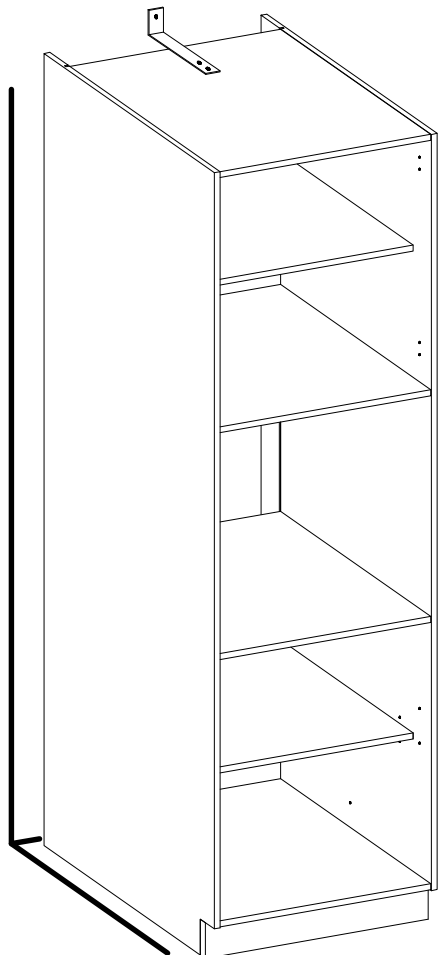
L25

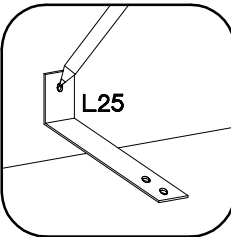
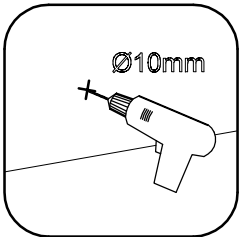
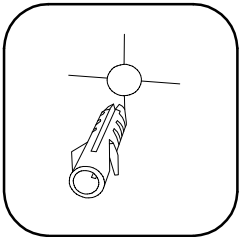
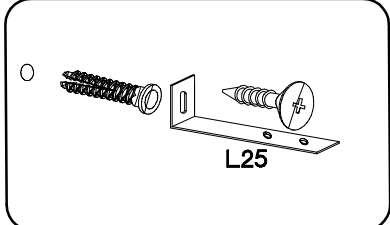
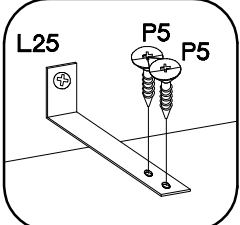
1

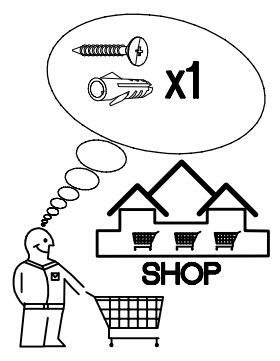
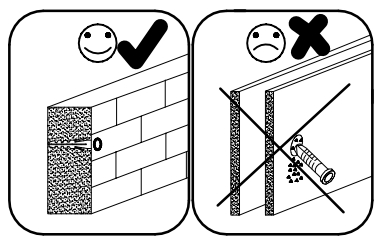


P5

2

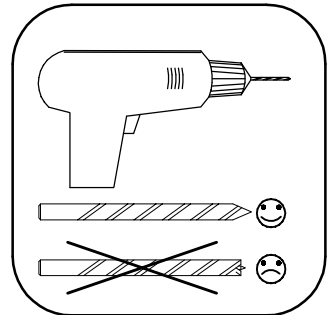
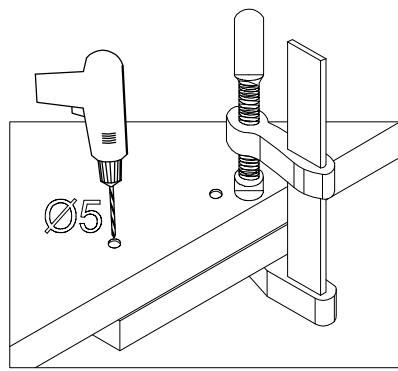
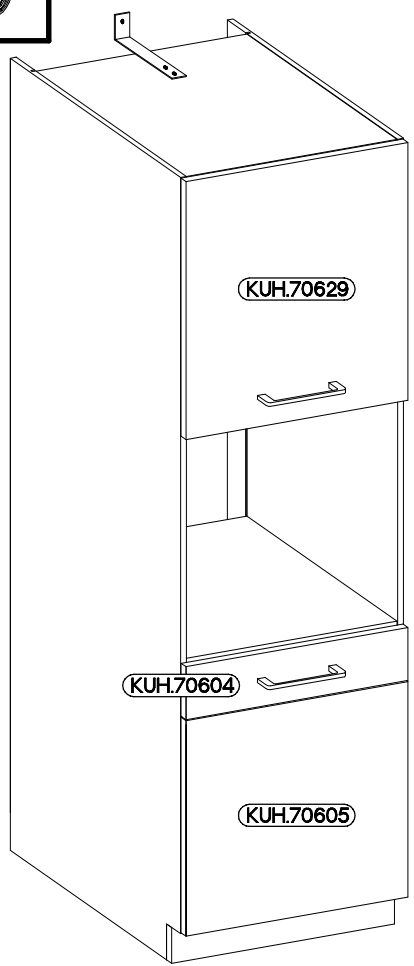


1. 
2. 
3. 
4. 
5. 

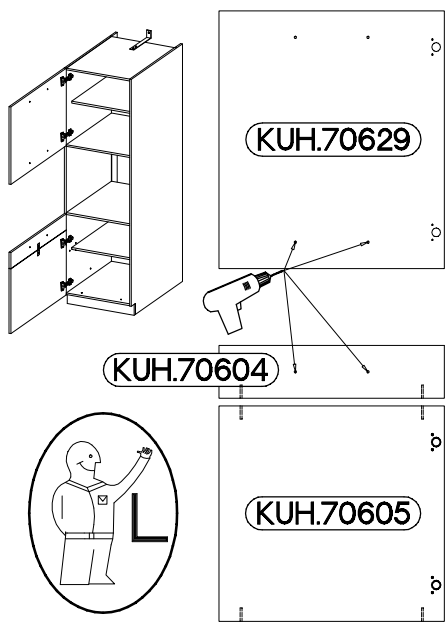


9

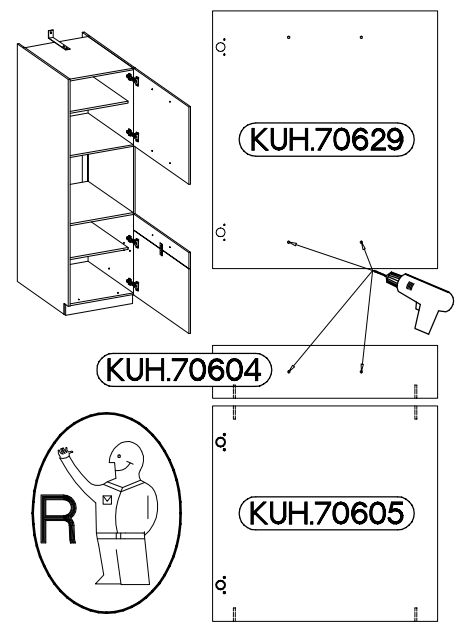
60 DP-2100 2F



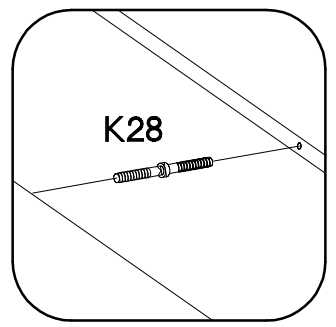
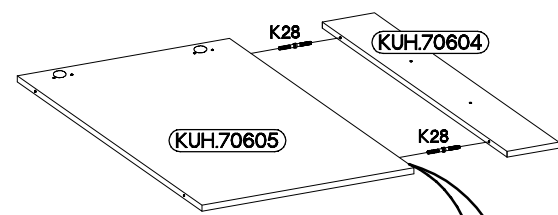
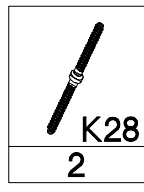
LEFT



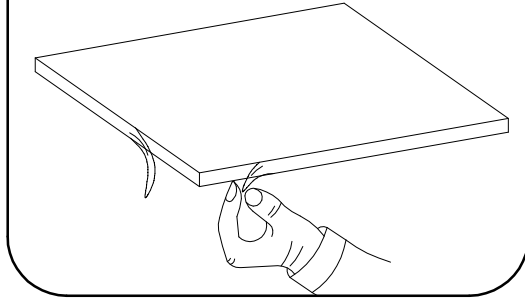
RIGHT



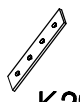

10

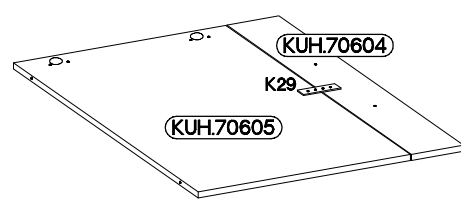
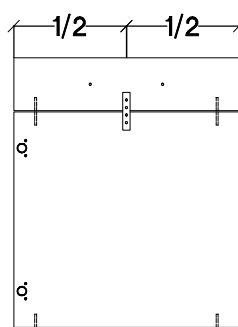
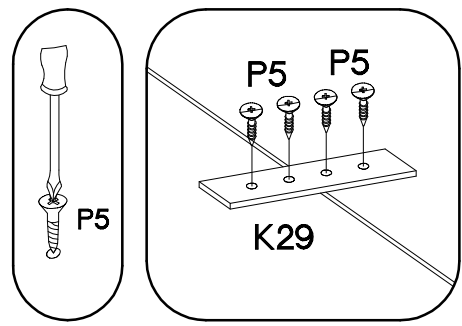


VARIANT HIGH GLOSS

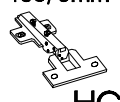



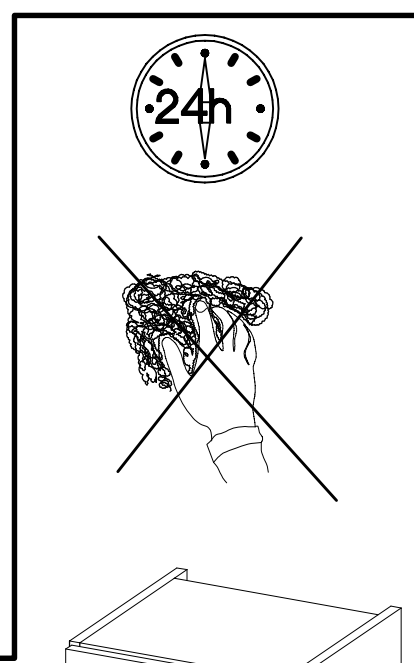
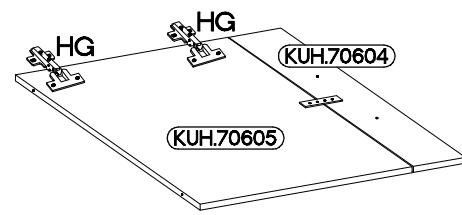
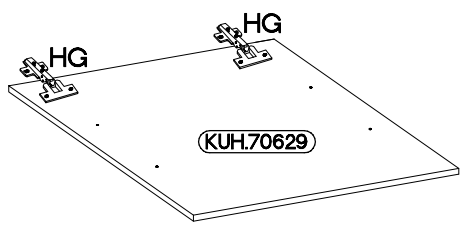
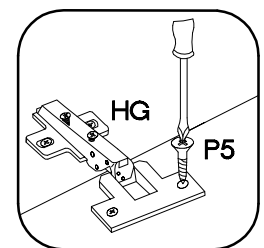
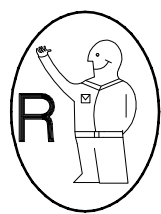
11

	±3.5x13mm 
K29 1	P5 4

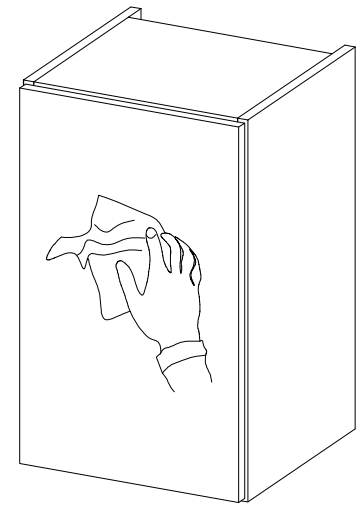
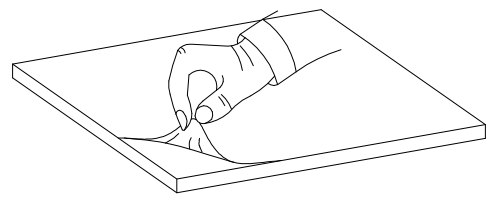
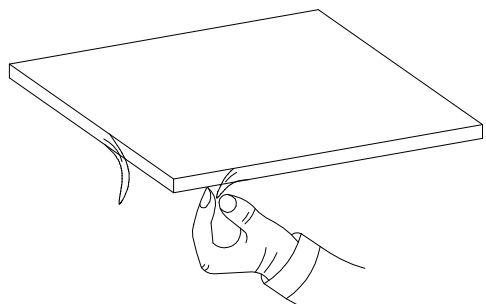




12

±35/0mm 	±3.5x13mm 
HG 4	P5 8



VARIANT HIGH GLOSS



+4.0x30mm	
 R2	 S15
4	2

