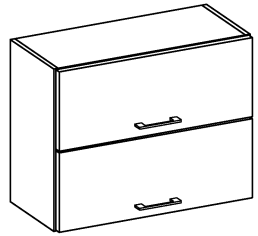







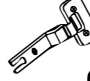



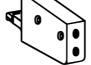

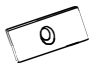
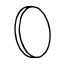
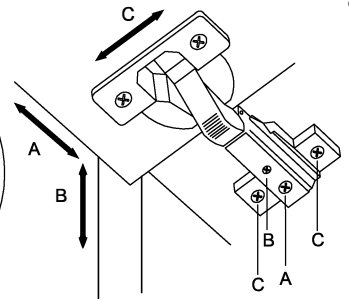
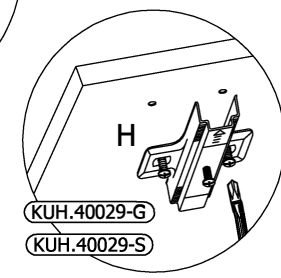
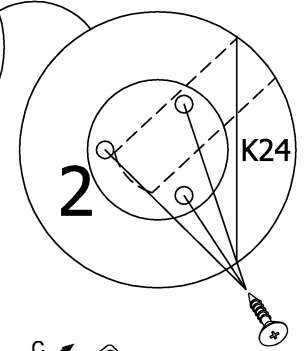
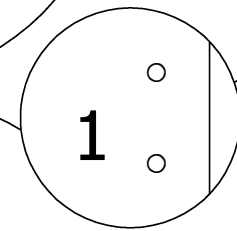
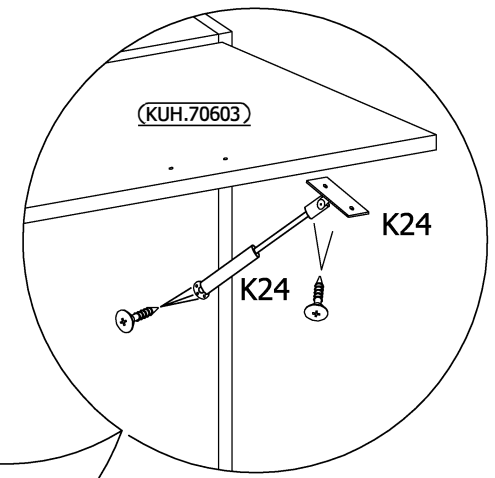
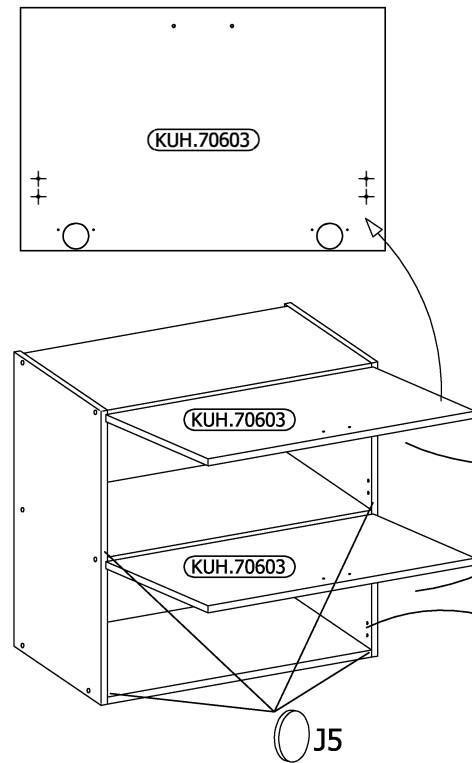
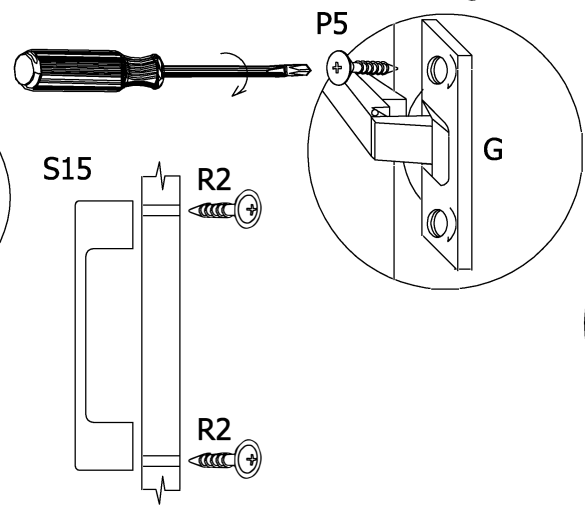
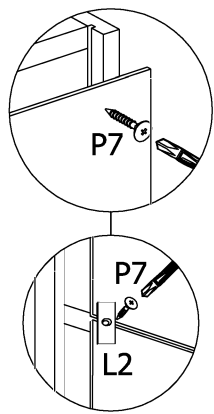
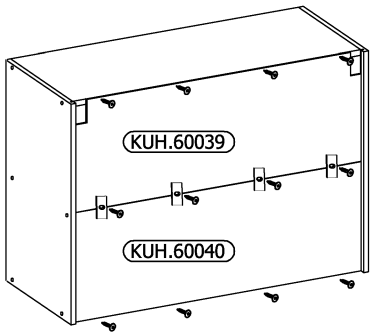
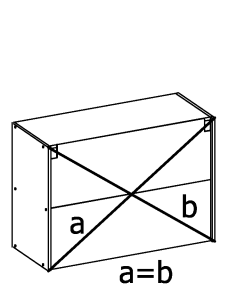
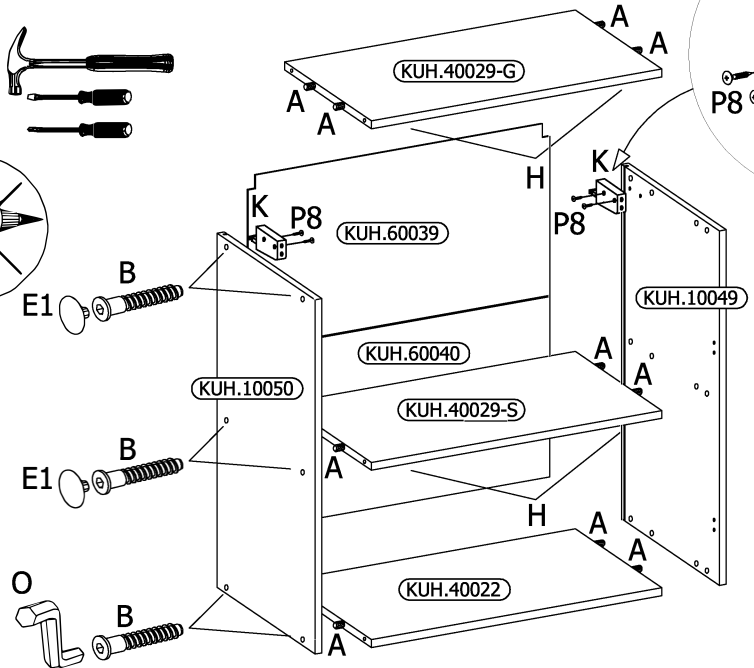
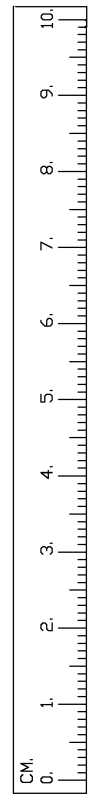
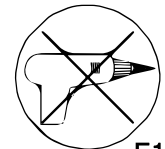
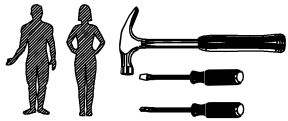


80 GU-72 2F VIRION

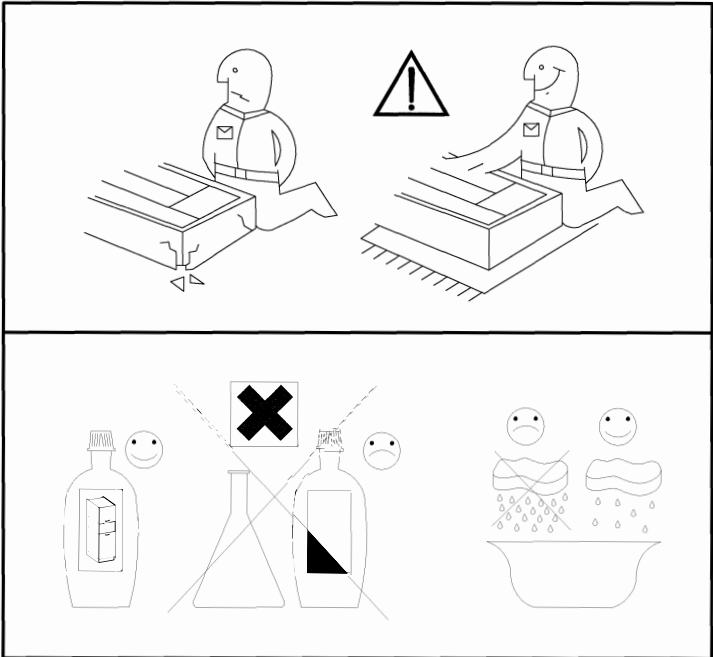
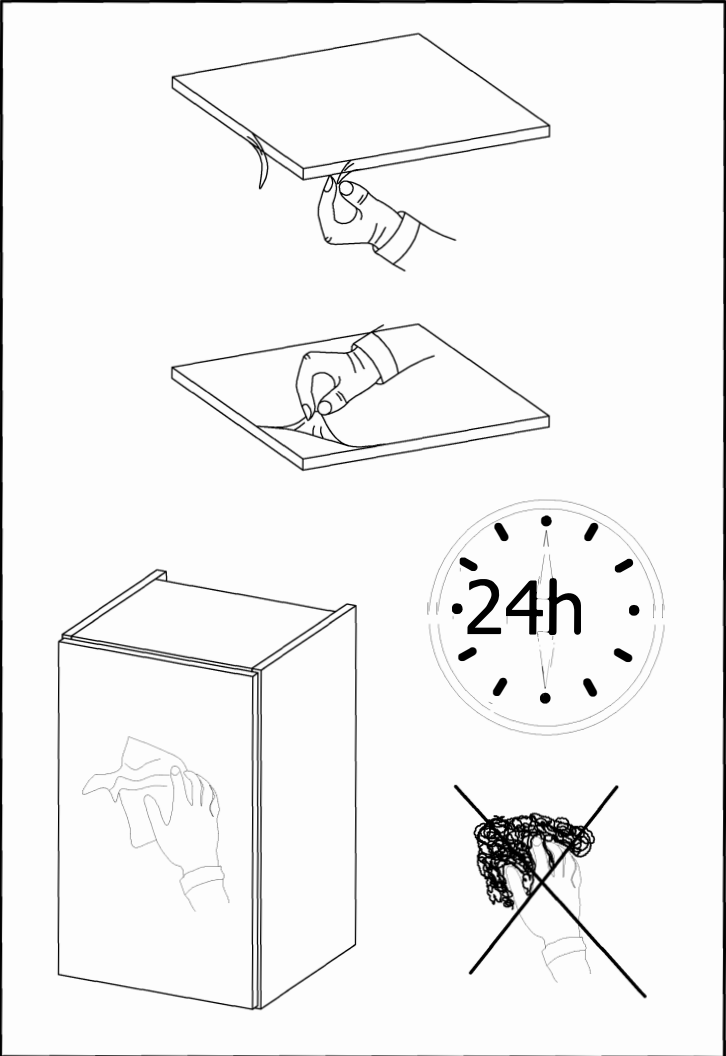
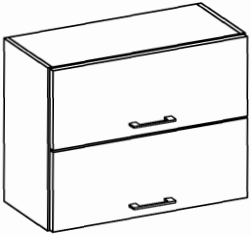


 B	 E1	 A	 O	 S15	 R2	 P7	 G	 H	 P5	 K24	 K	 P8
12	12	12	1	2	4	10-15	4	4	8	4	2	4
 L2	 J5											
4	4											

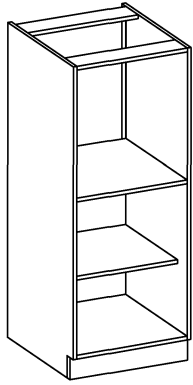











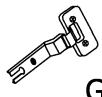


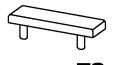


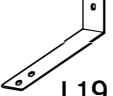


ISM-KUH-00764

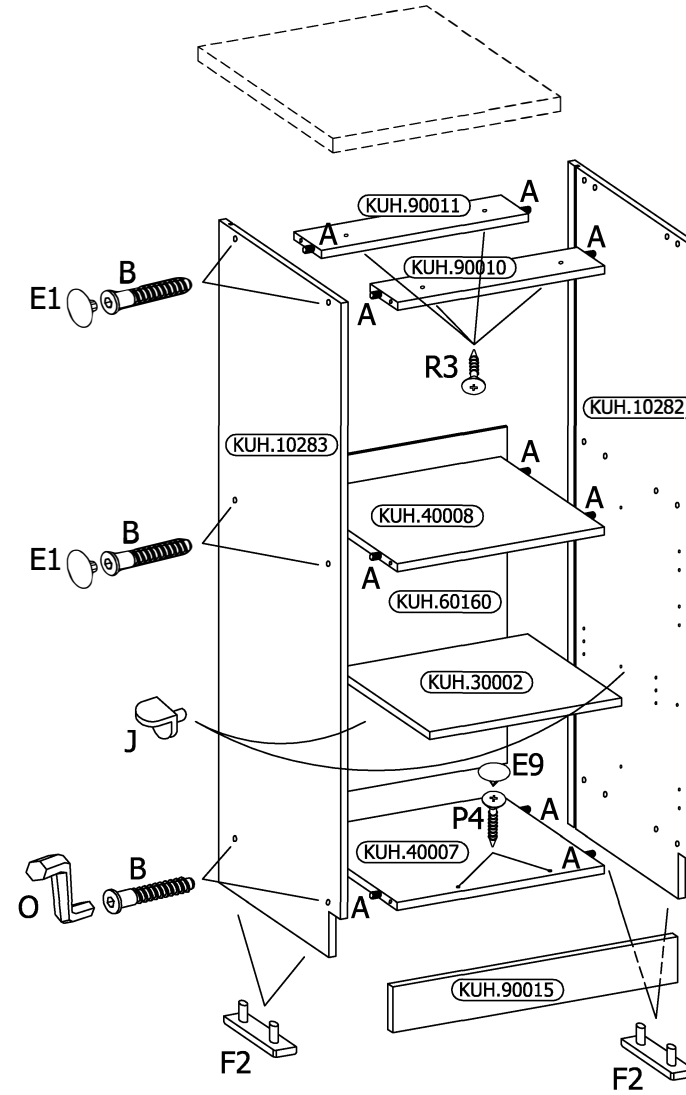
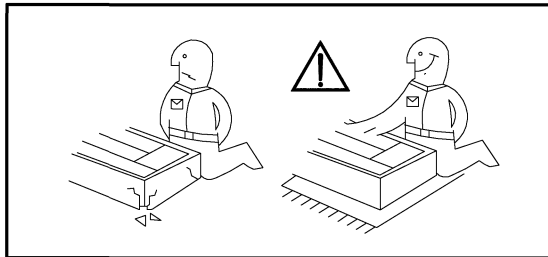
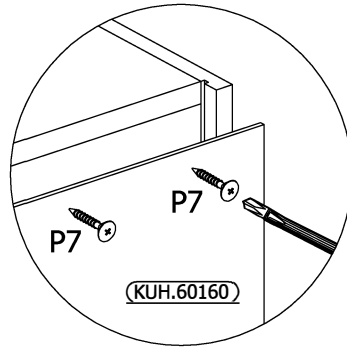
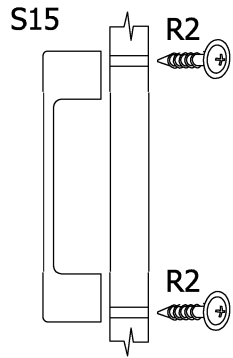
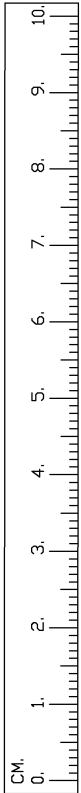
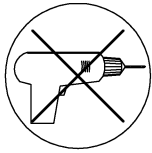
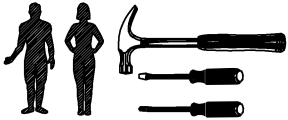
80 GU-72 2F VIRION



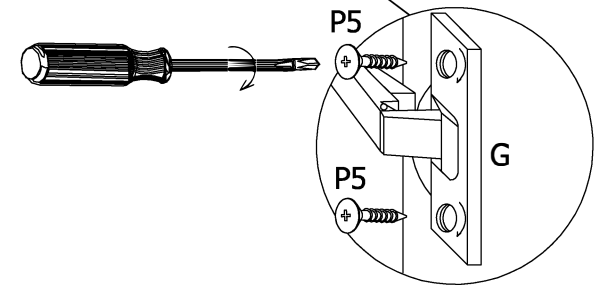
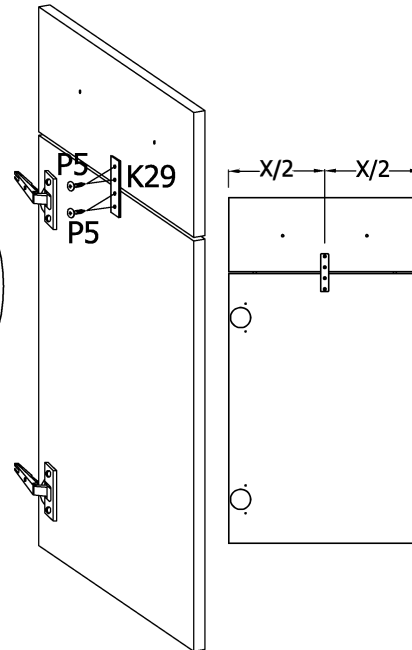
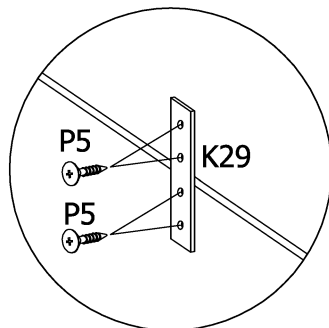
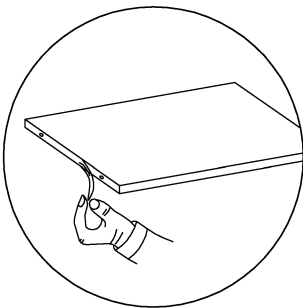
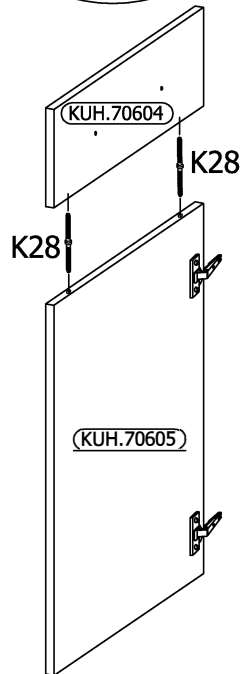
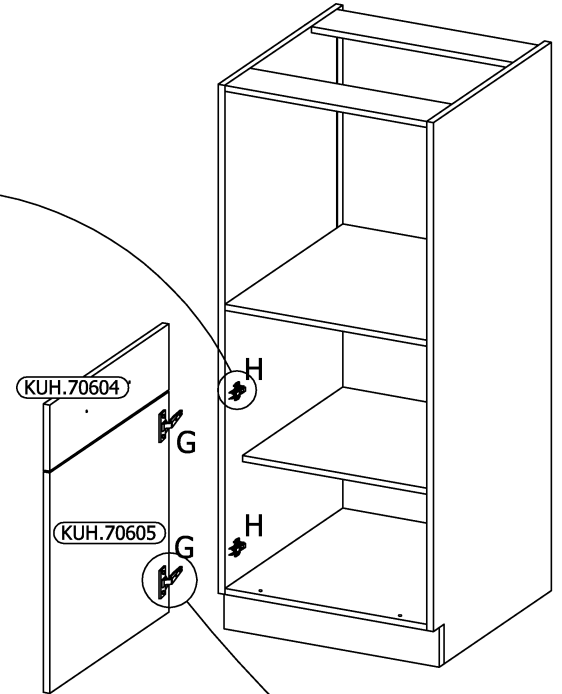
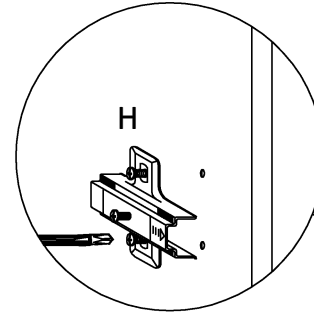
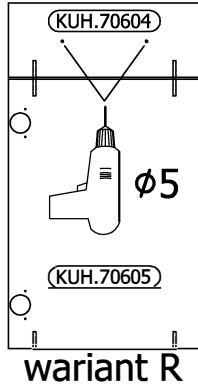
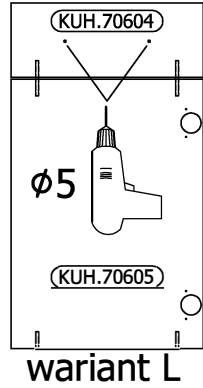
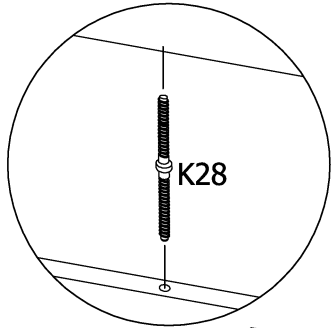
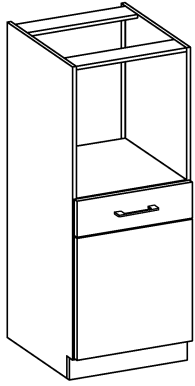
60 DP-1450 VIRION



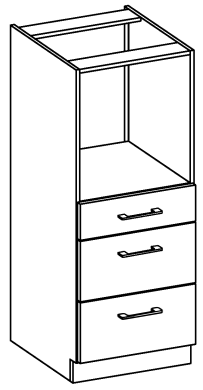
 B 12	 E1 12	 A 12	 O 1	 S15 1	 R2 2	 P7 10	 R3 4
 J 4	 G 2	 H 2	 P5 10	 F2 4			
 P4 2	 E9 2	 L19 1	 K29 1	 K28 2			



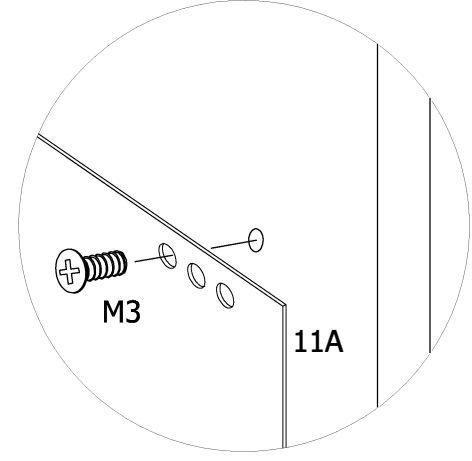
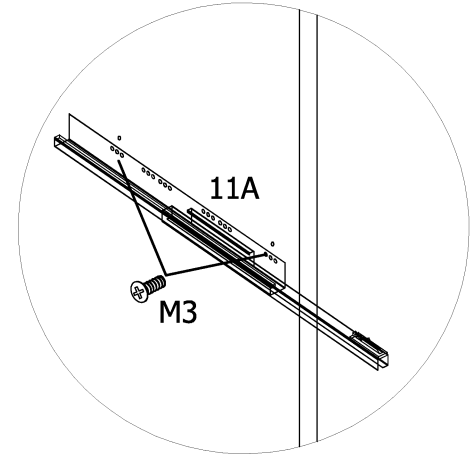
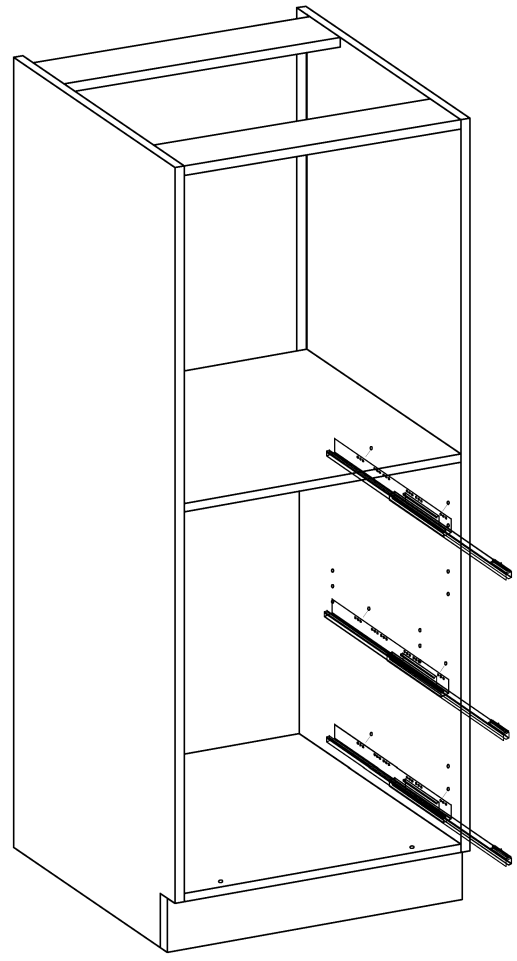
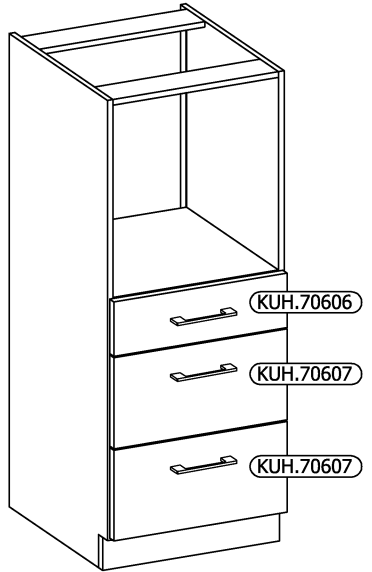
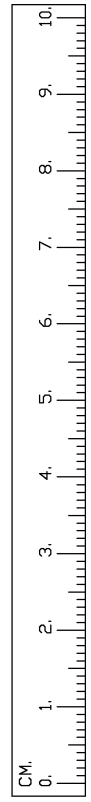
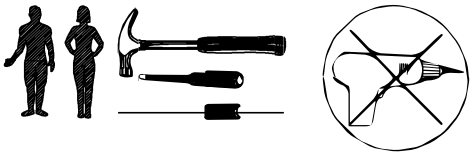
60 DP-1450 1F VIRION



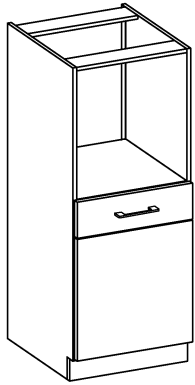
60 DPS-1450 3S VIRION



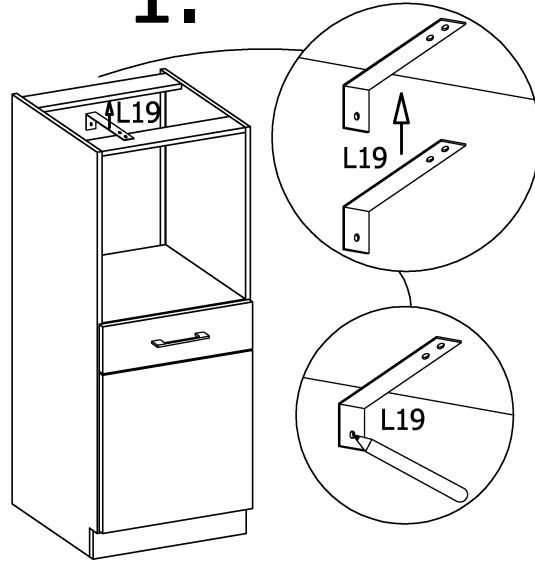
S15	R2	P5	M3	P1	11A	11B	11C	11D	11E	11F	11G	11H
2	4	24	12	12	3	2	3	1	6	4	6	4



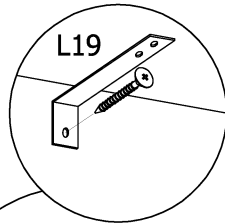
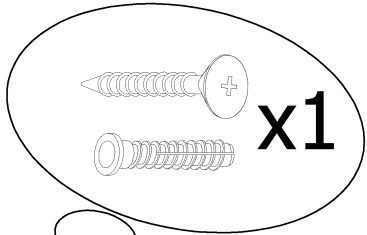
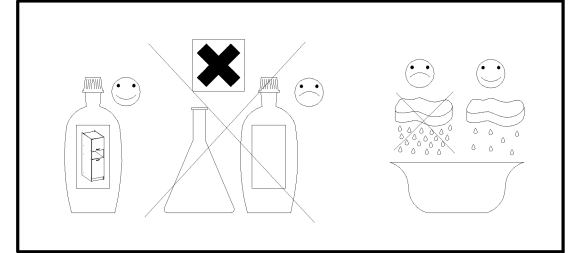
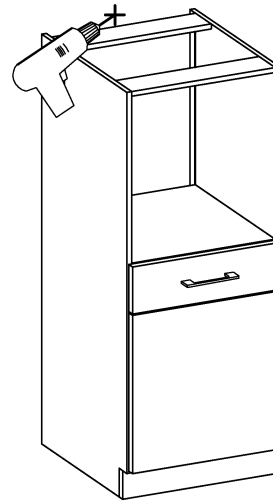
60 DP-1450 1F VIRION



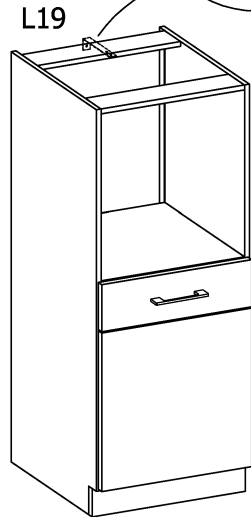
1.



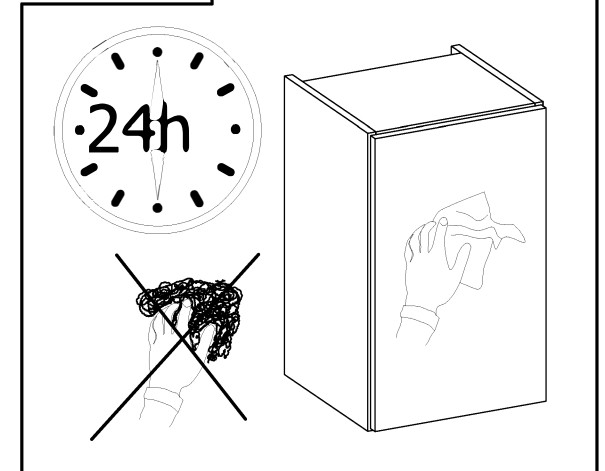
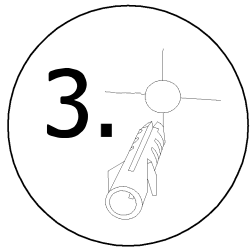
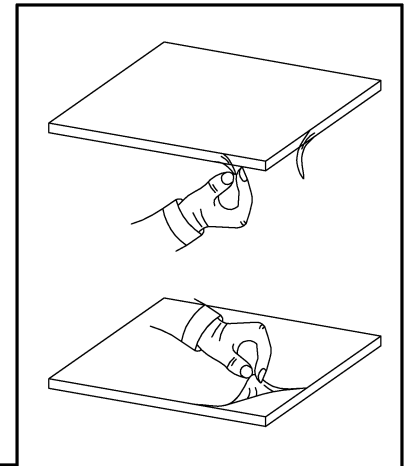
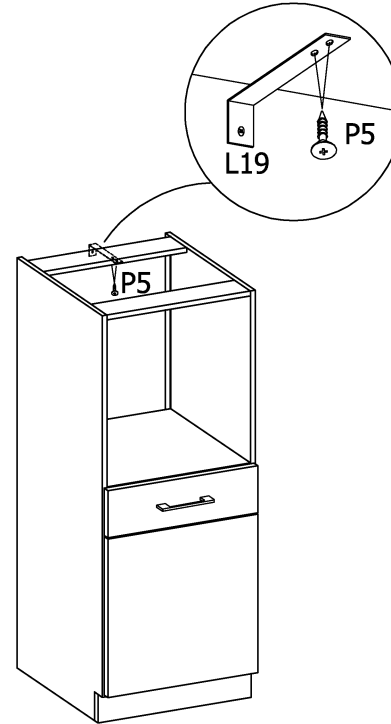
2.

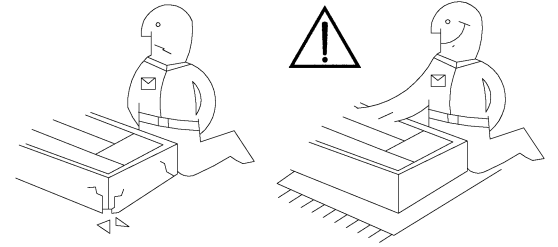
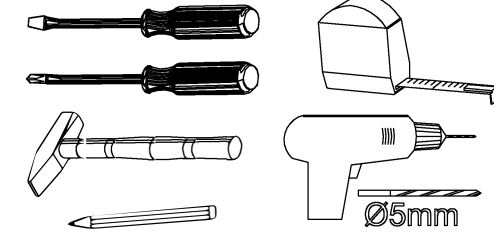
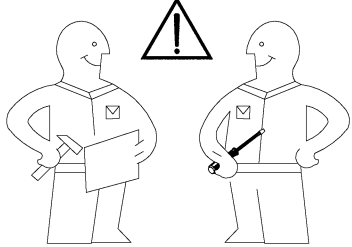


4.

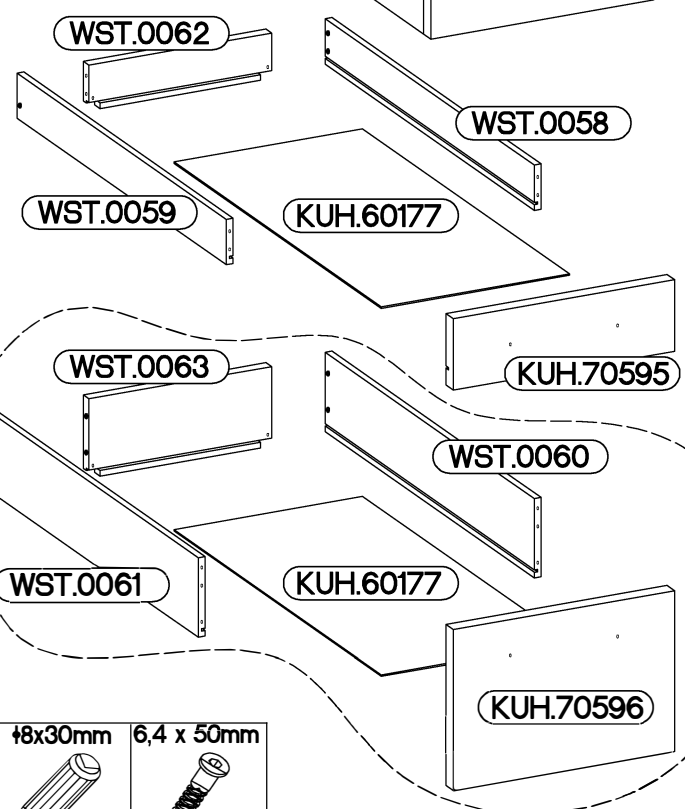
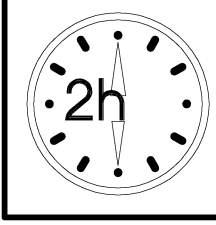
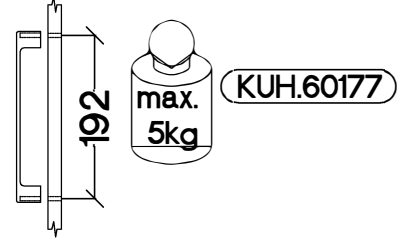
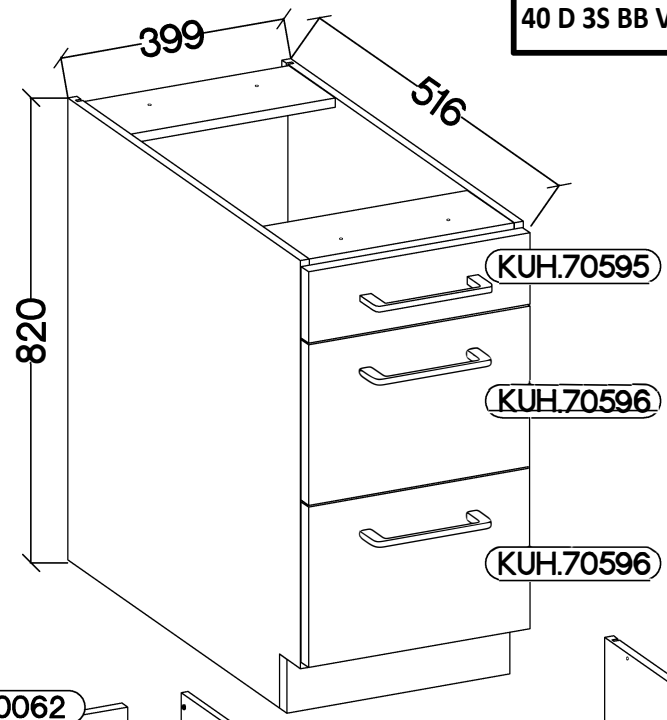
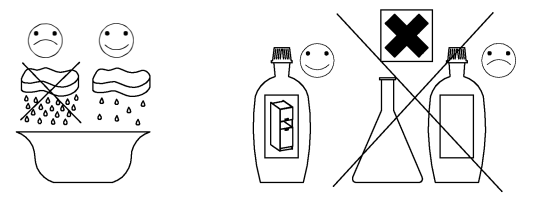


5.

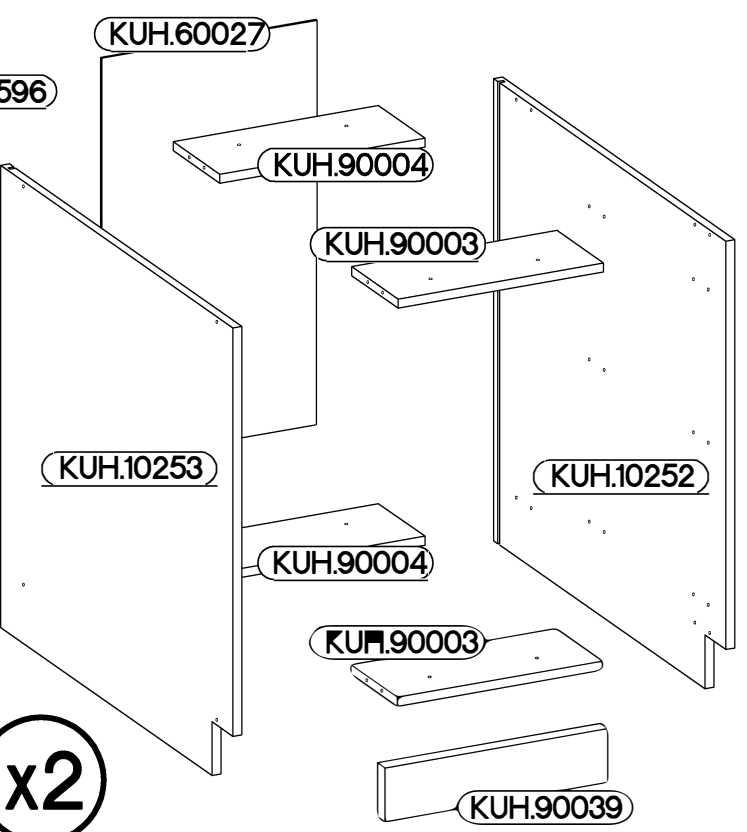


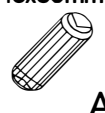


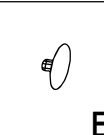

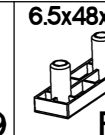
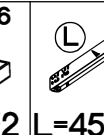
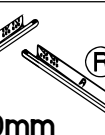
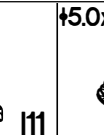
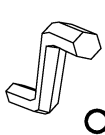


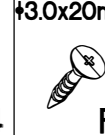
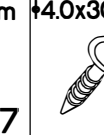




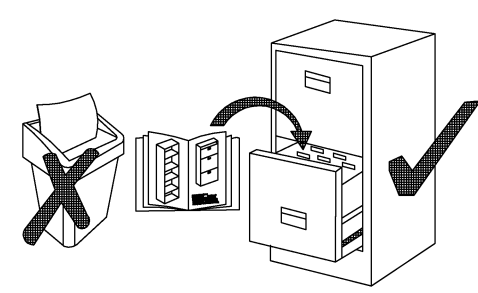
40 D 3S BB VIRION



x2





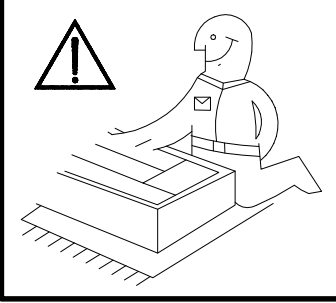
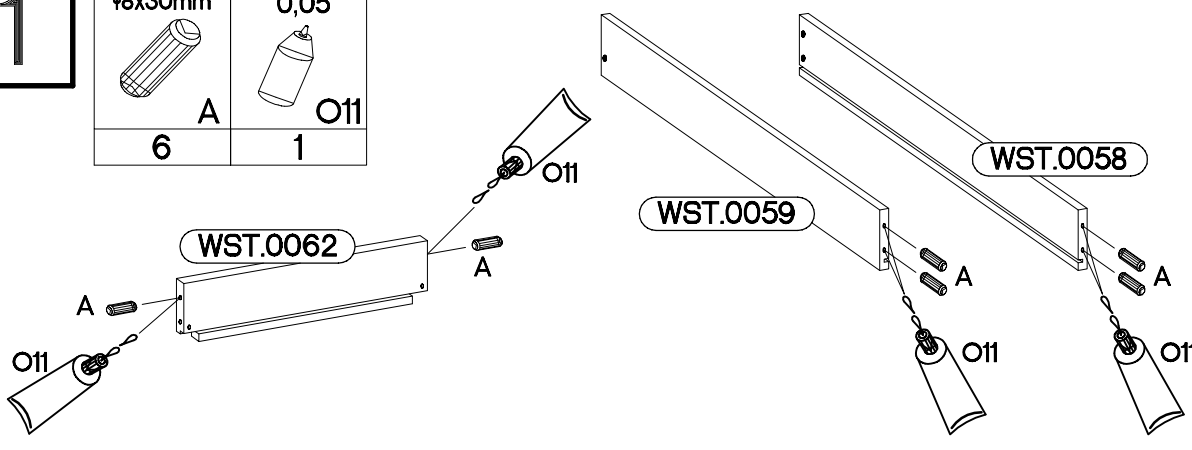
 A	 B					
26	8					
 B2	 E1	 E9	 F2	 L=450mm	 R	 M
10	8	2	4	3	24	
 O	 O11	 P4	 P7	 R2	 R3	 S15
1	1	2	8-10	6	4	3





ISM-KUH-00961

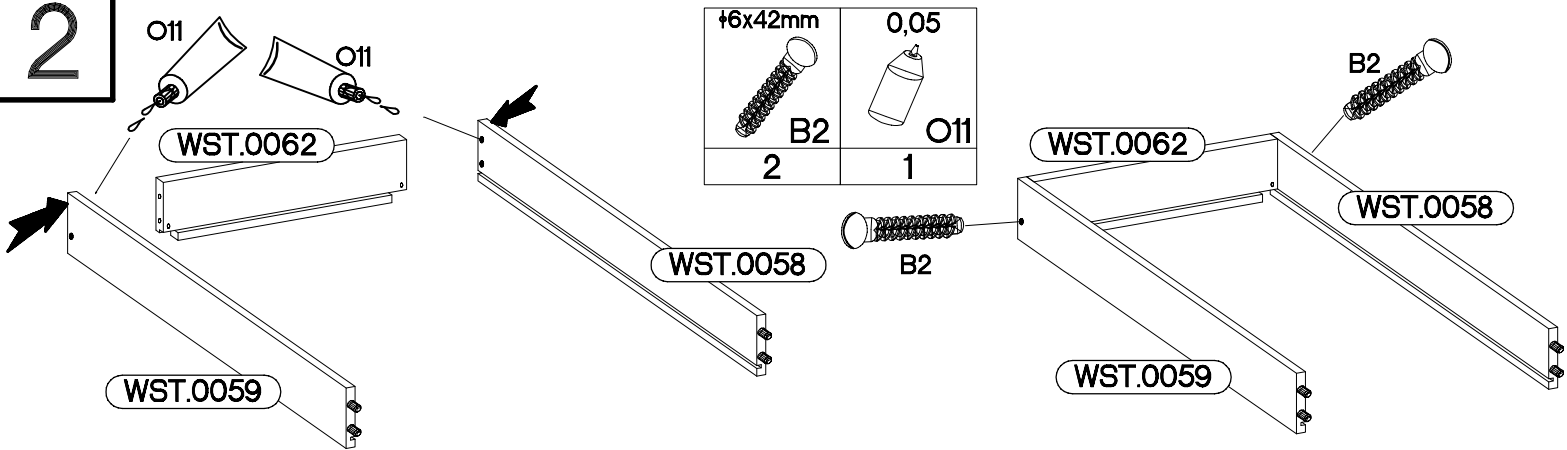
1

+8x30mm  A 6	0,05  O11 1
---	--




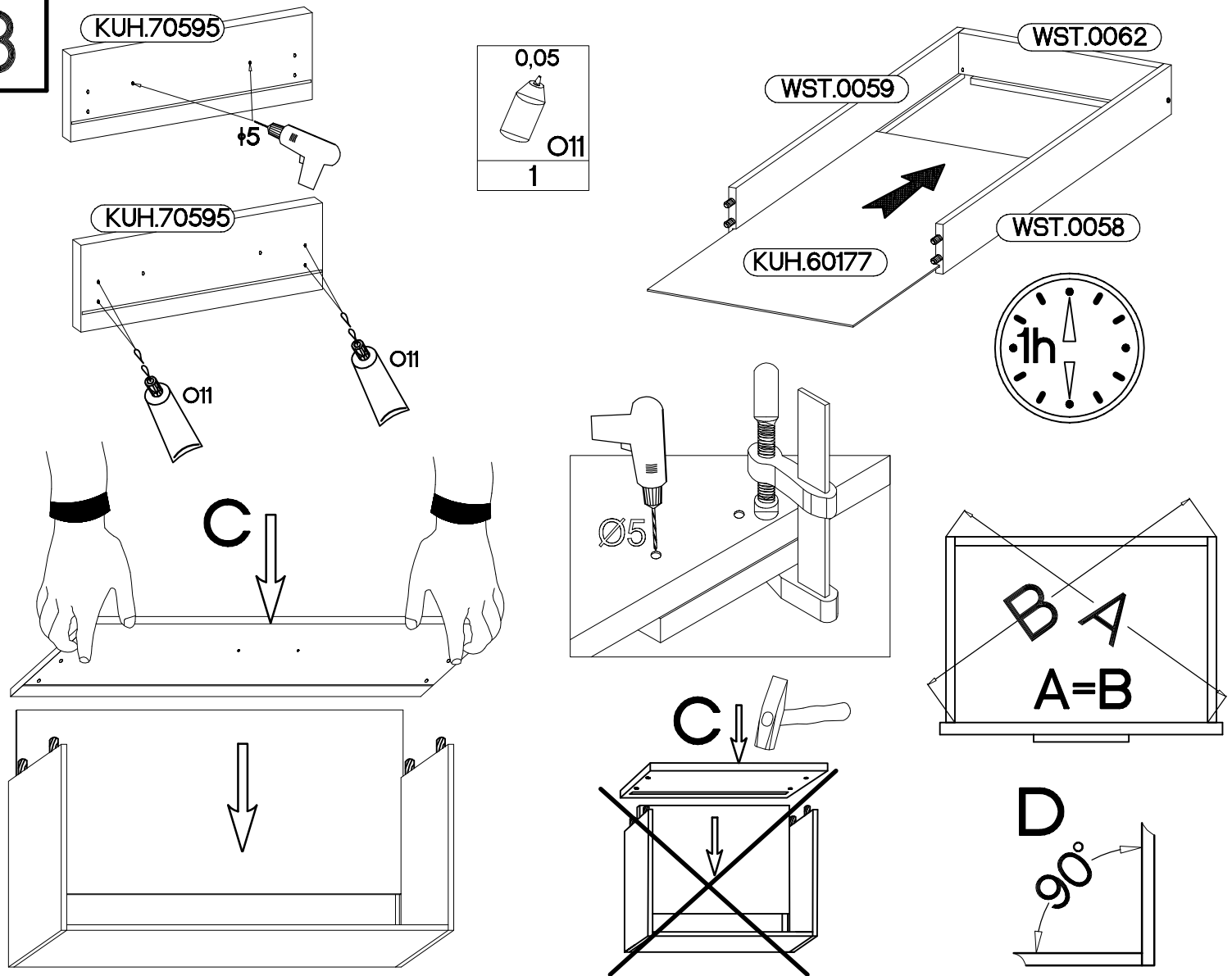
2

+6x42mm  B2 2	0,05  O11 1
---	---

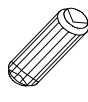



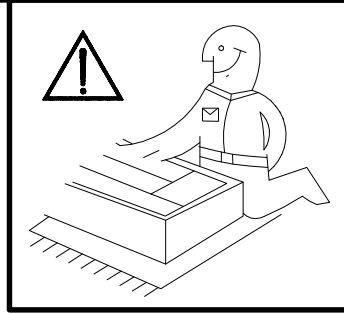
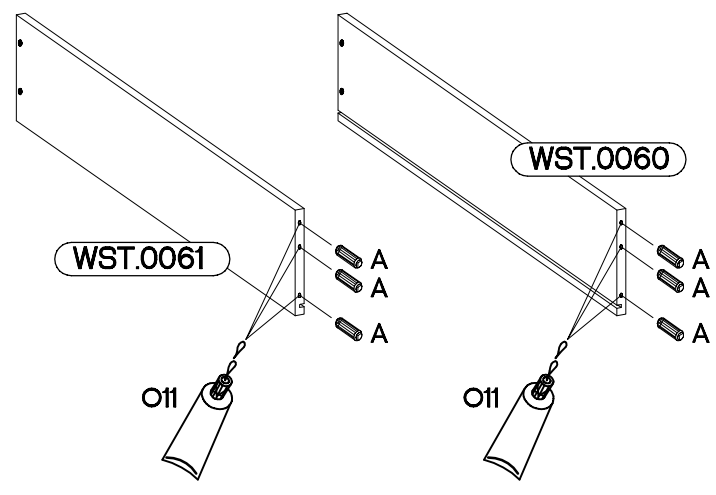
3

0,05  O11 1




4

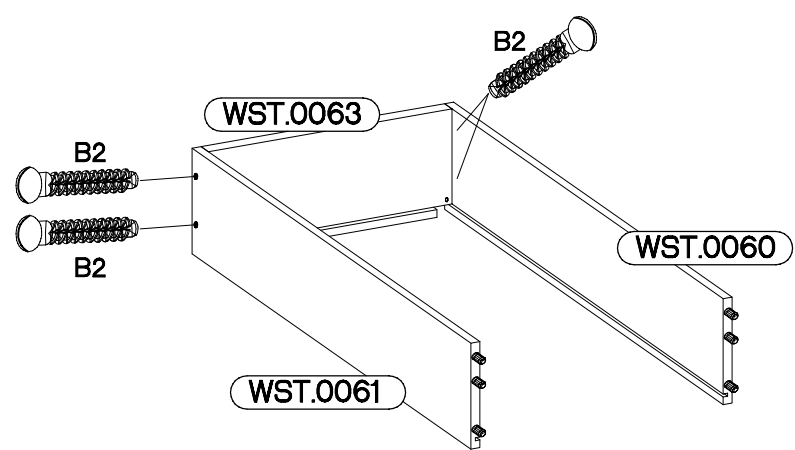
+8x30mm  A 12	0,05  O11 1
--	--



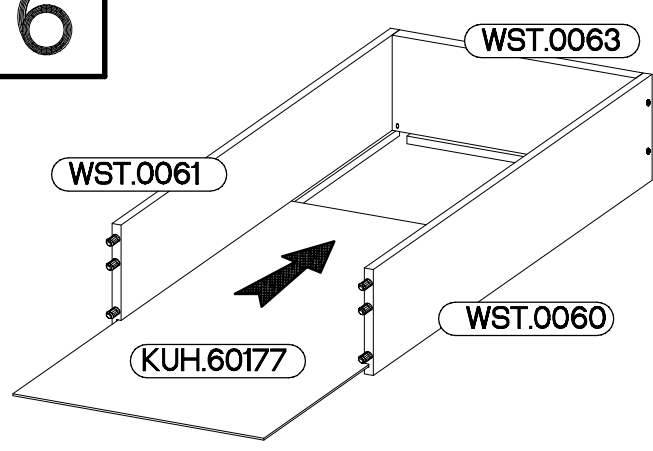
x2


5

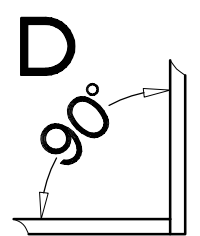
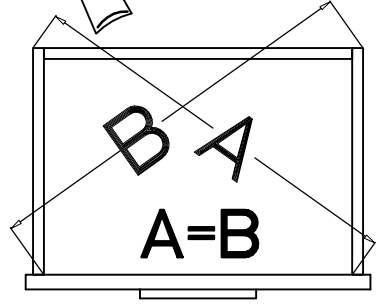
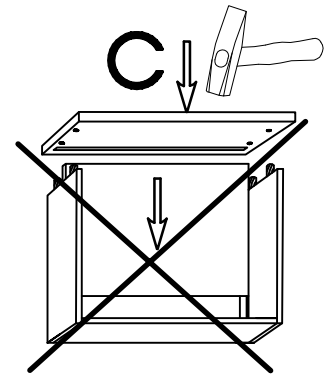
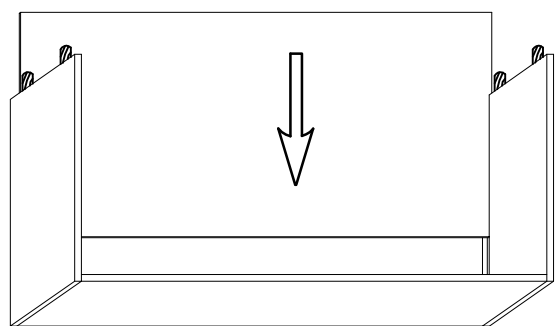
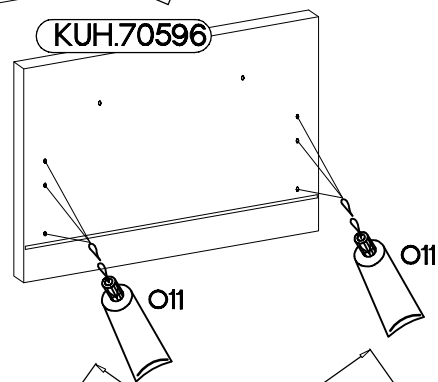
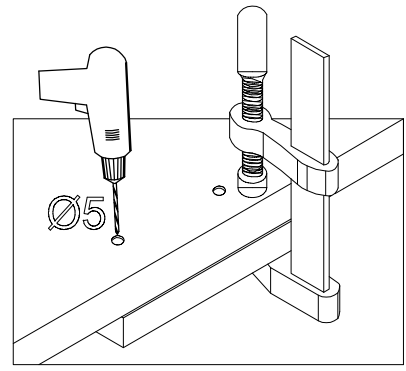
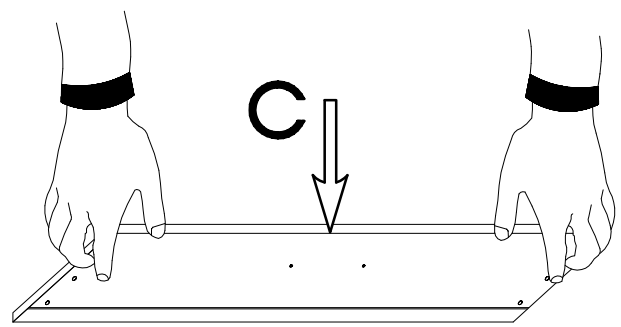
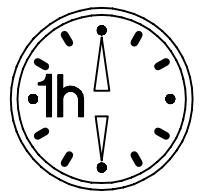
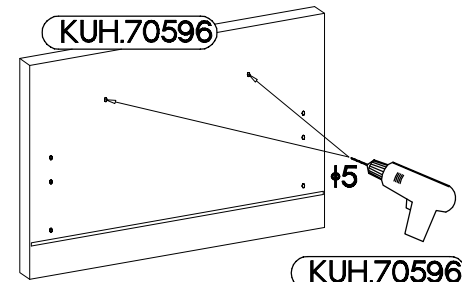
+6x42mm  B2 8

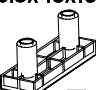
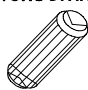
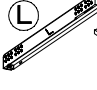
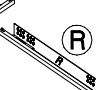



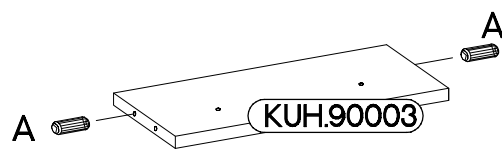
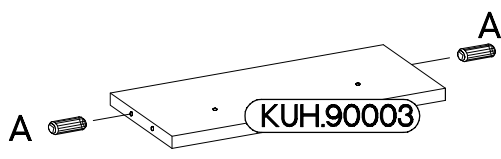
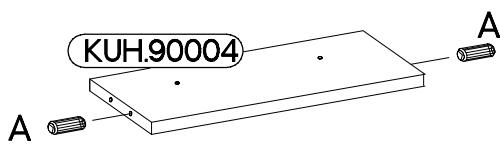
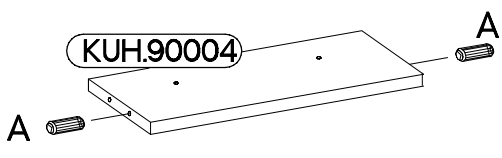
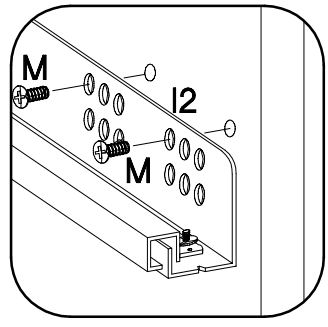
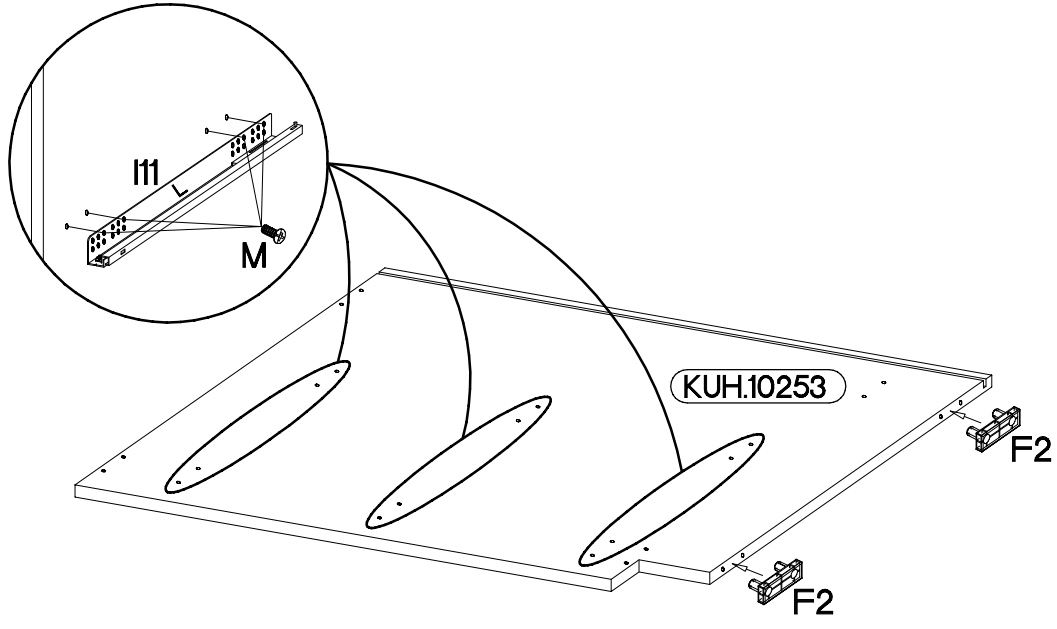
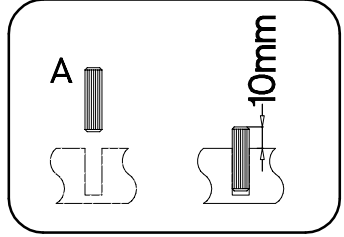
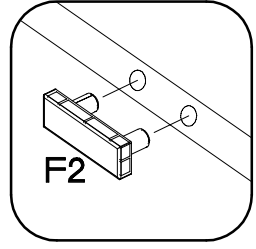
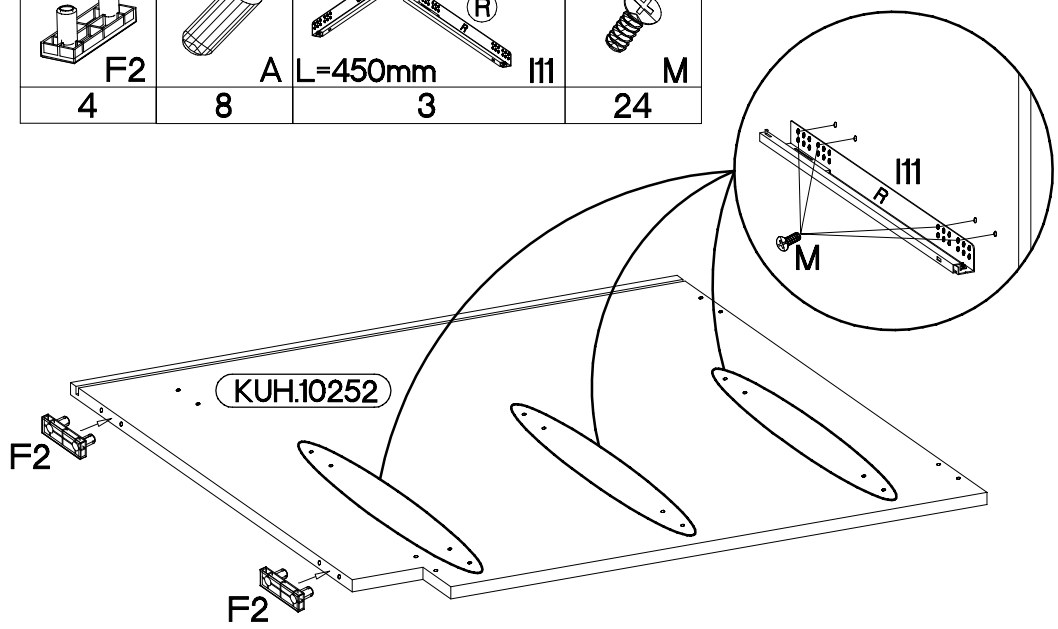
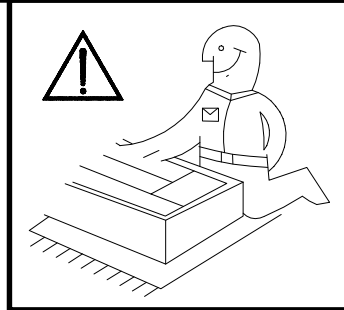
6



0,05  O11 1

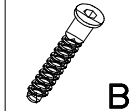


6.5x48x16  F2 4	+8x30mm  A 8	L  L=450mm R  I11 3	+5.0x13mm  M 24
--	---	--	--



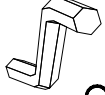
8

6,4 x 50mm



B

4



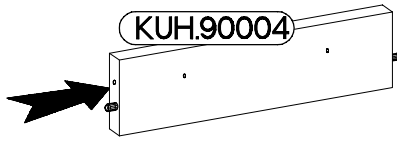
O

1

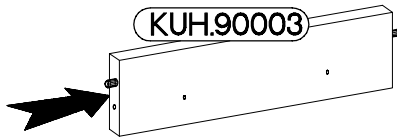


E1

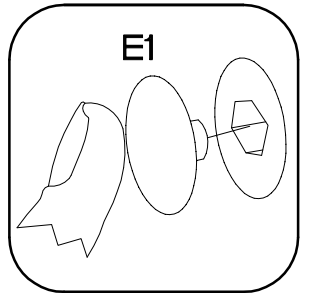
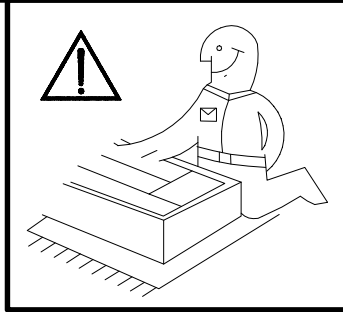
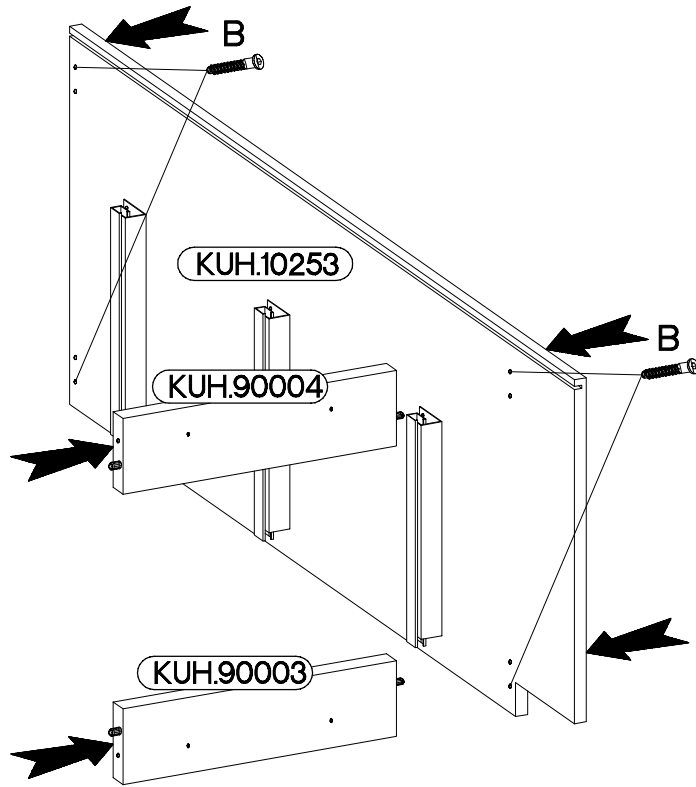
4



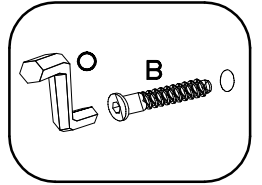
KUH.90004



KUH.90003

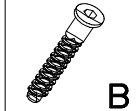


E1



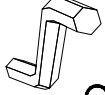
9

6,4 x 50mm



B

4



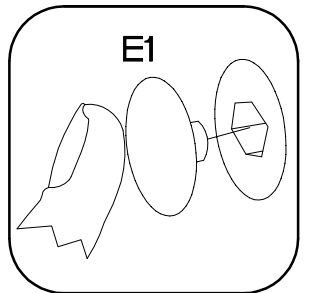
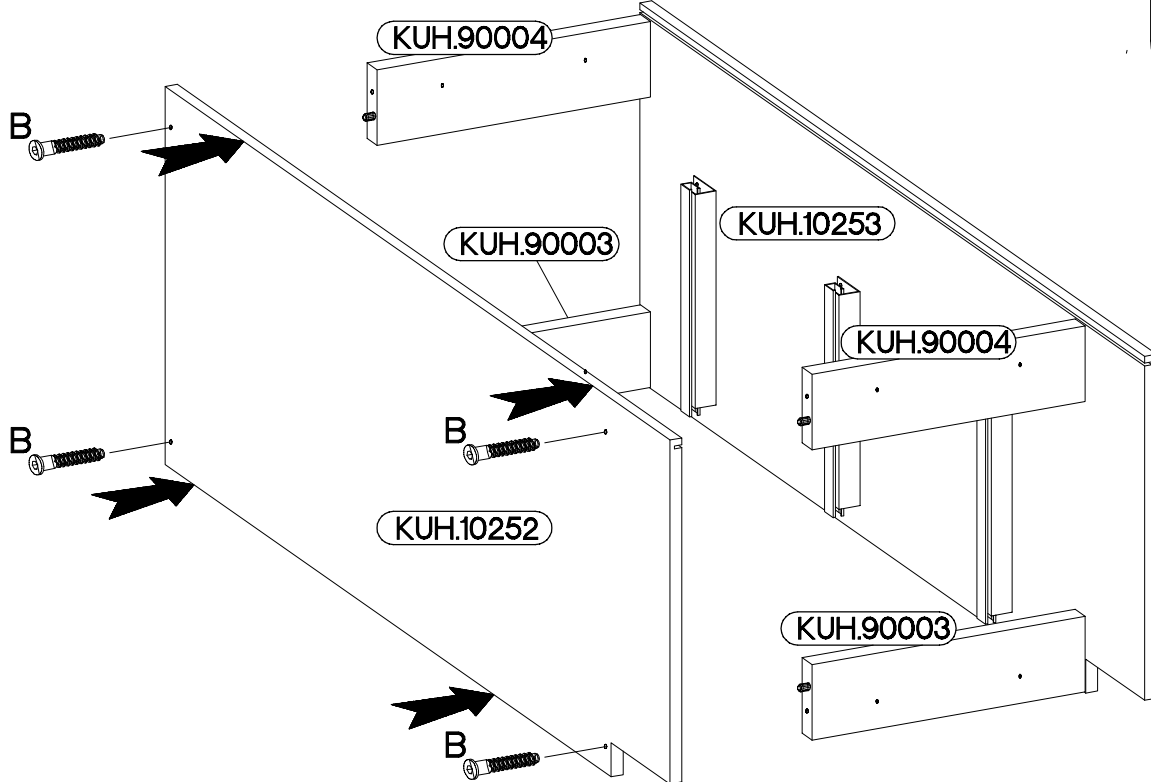
O

1

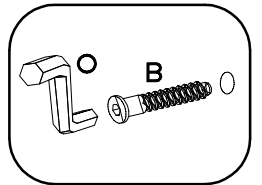


E1

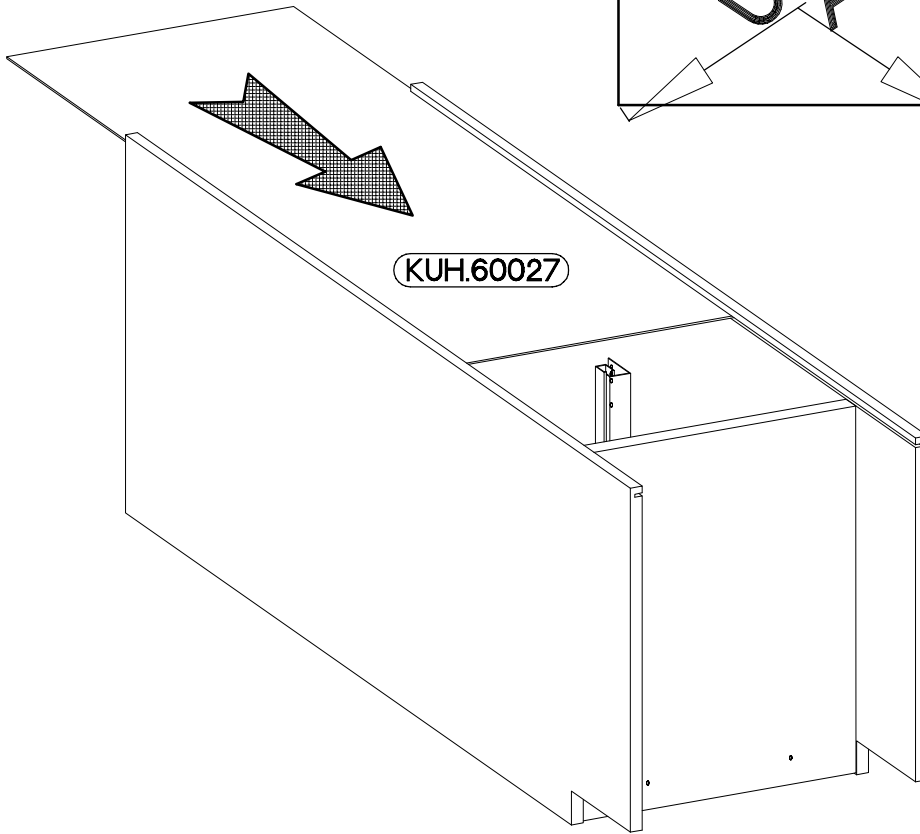
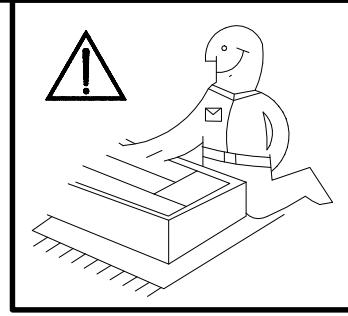
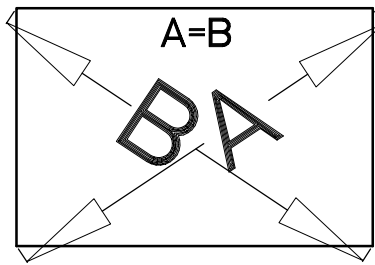
4



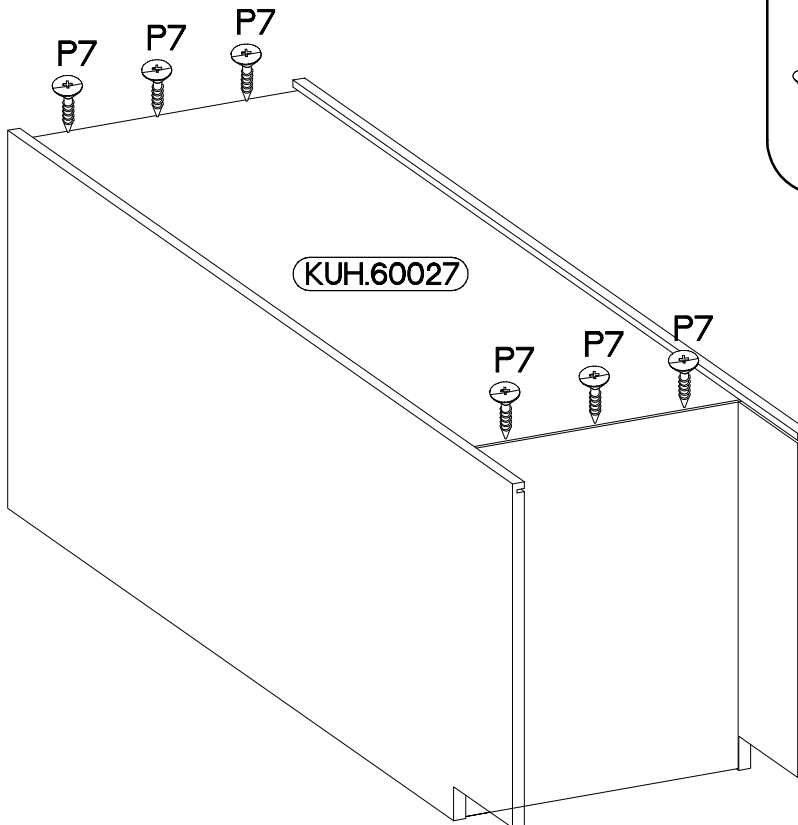
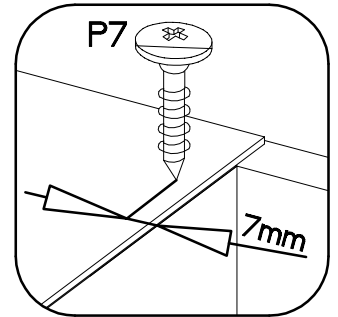
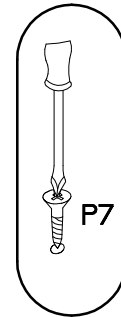
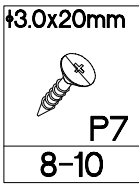
E1





10

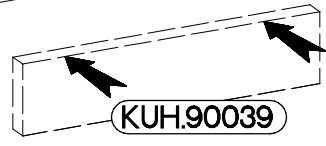
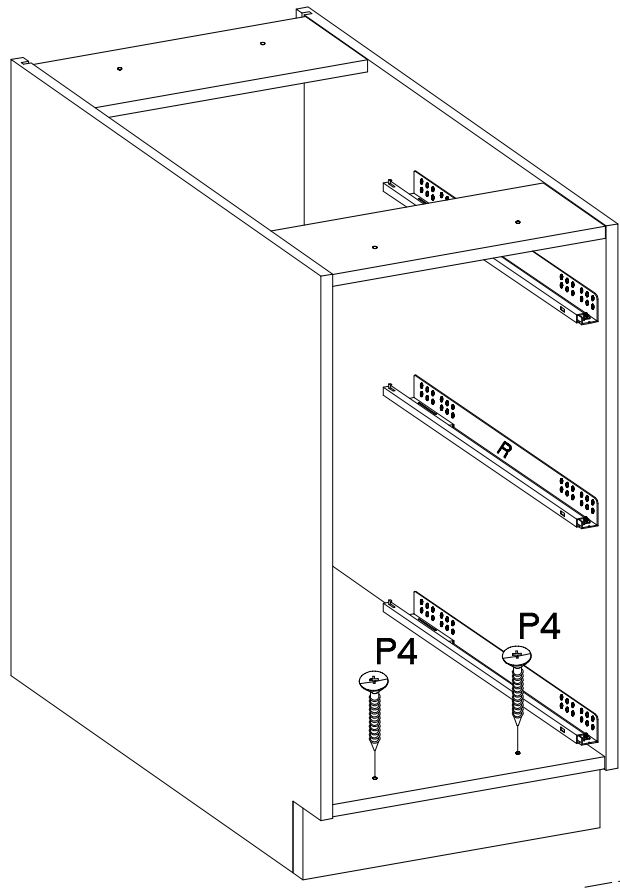
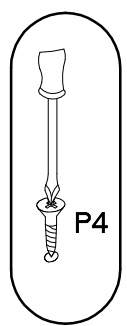
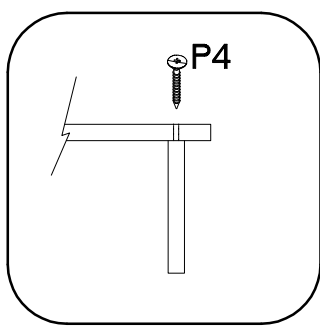


11




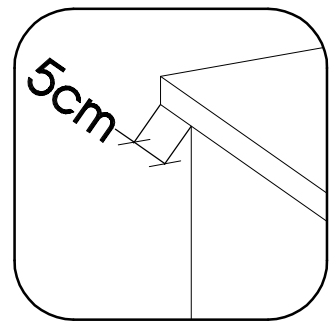
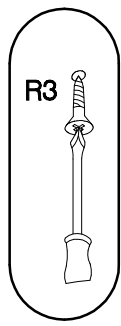
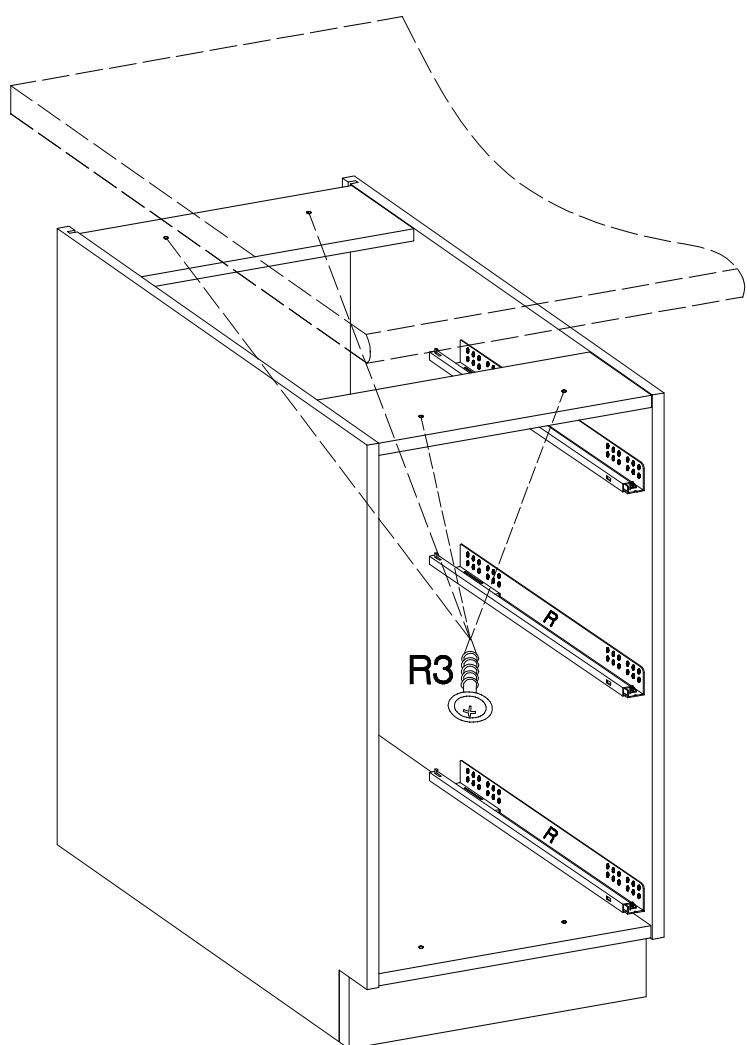
12



4.0x45mm	
	E9
2	2

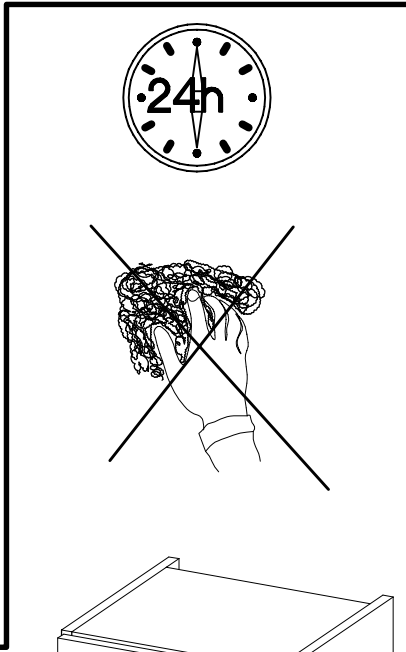
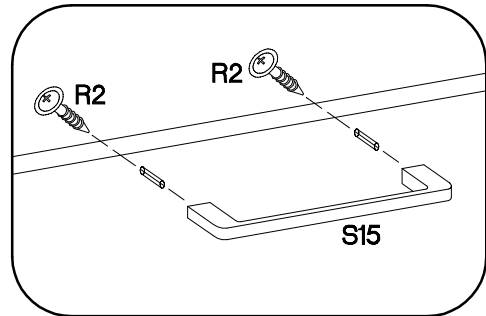
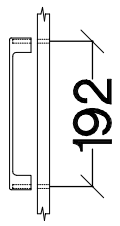
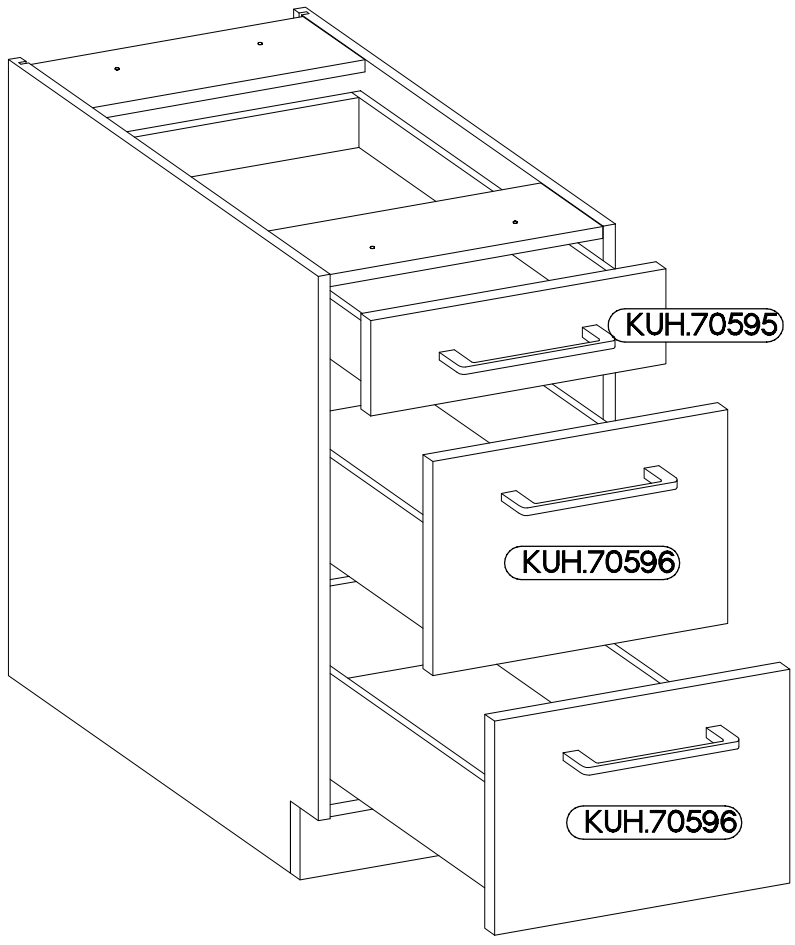
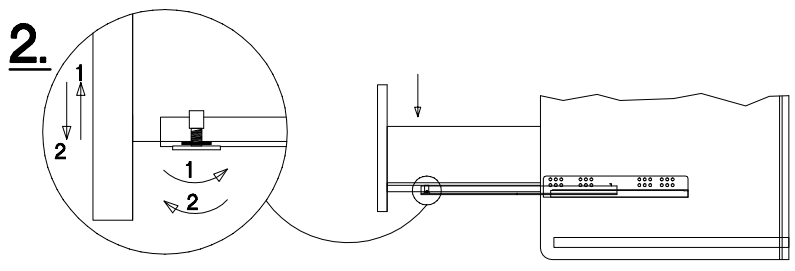
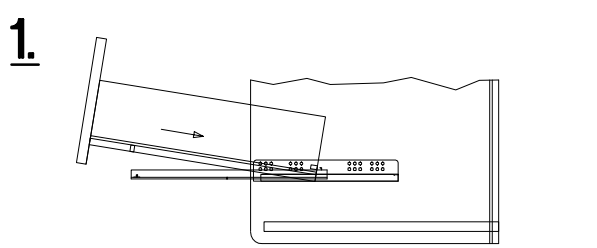


13

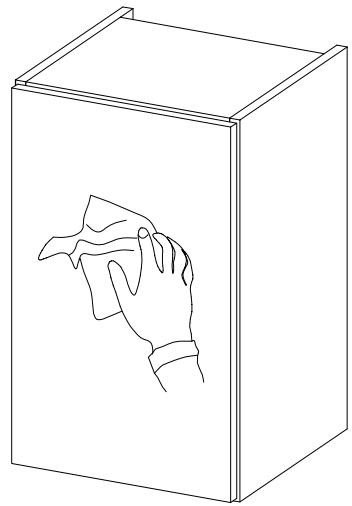
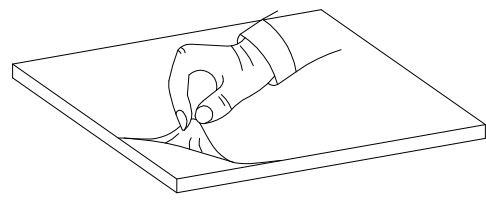
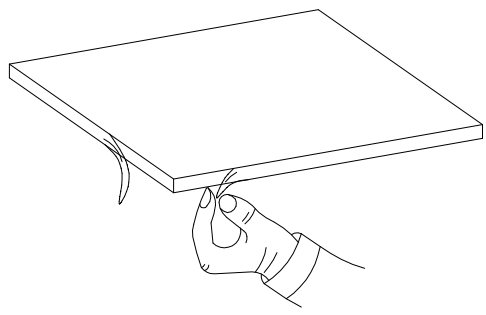
4.0x35mm	
R3	
4	

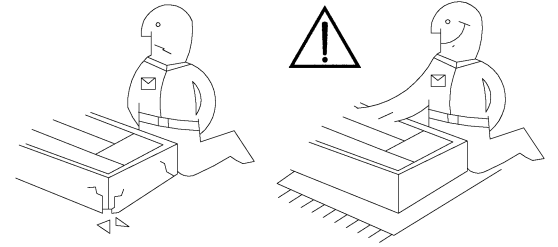
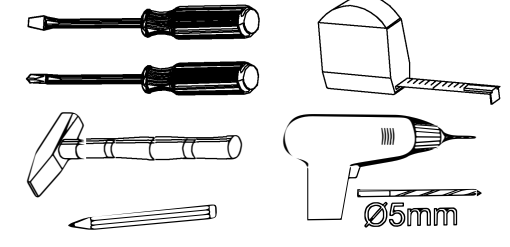
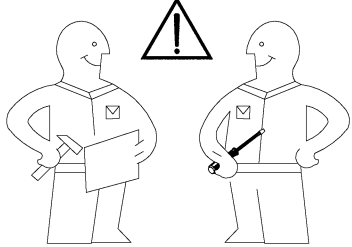


4.0x30mm	
	
R2	S15
6	3

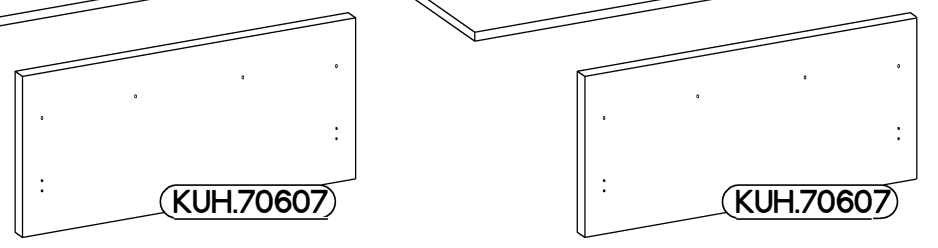
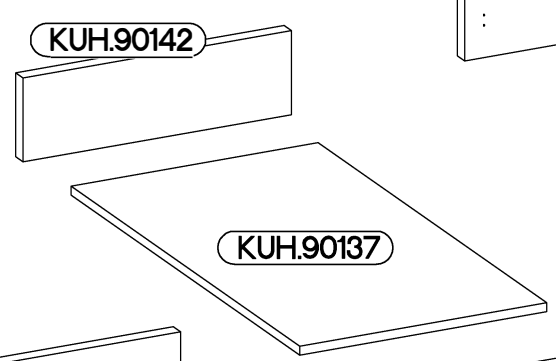
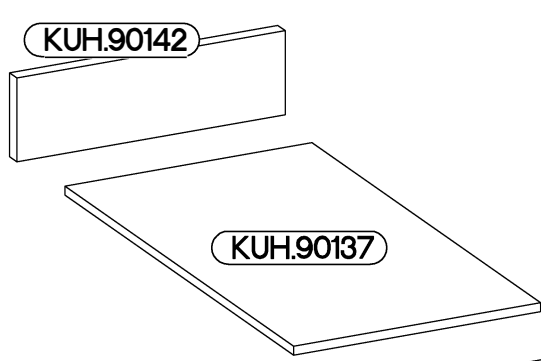
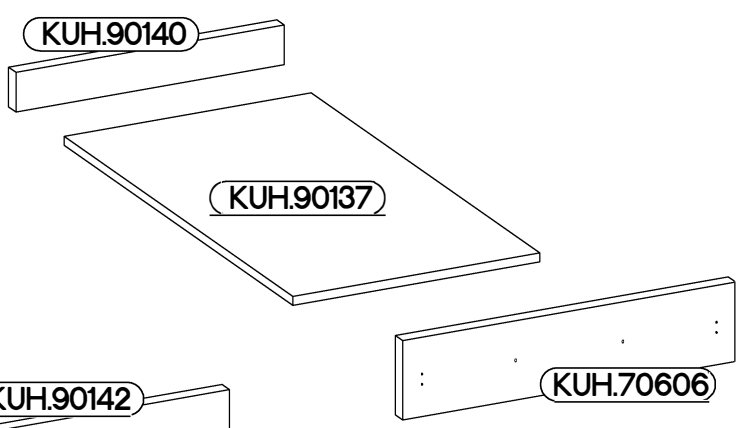
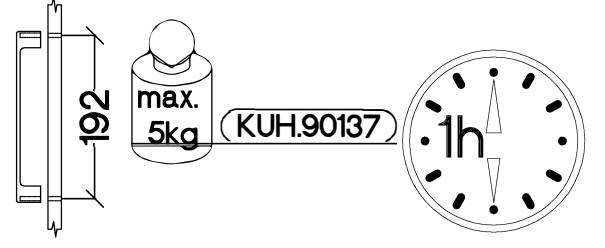
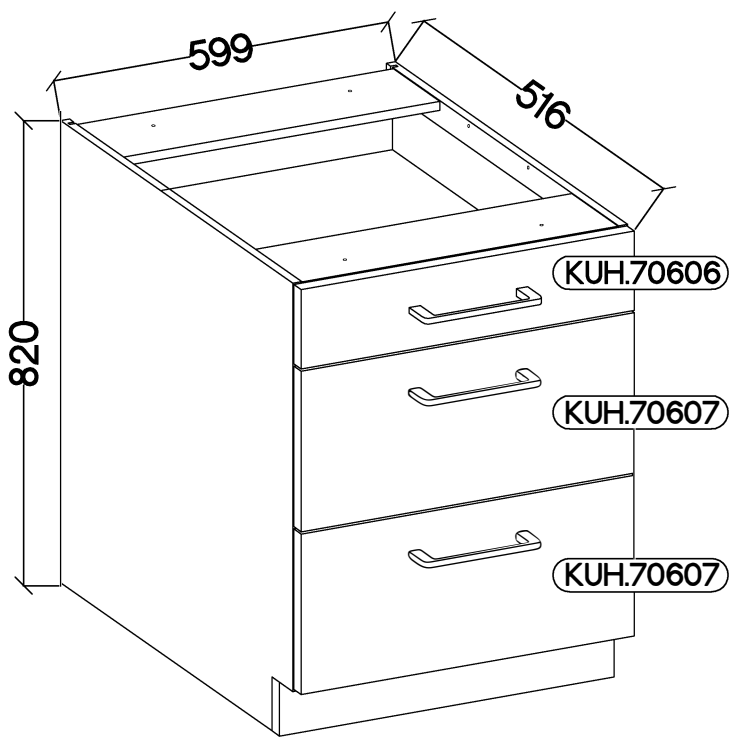
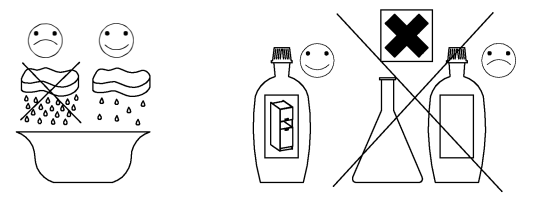


VARIANT HIGH GLOSS

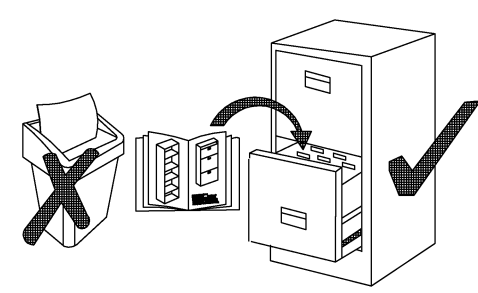




60 D 3S BB Premium Box VIRION

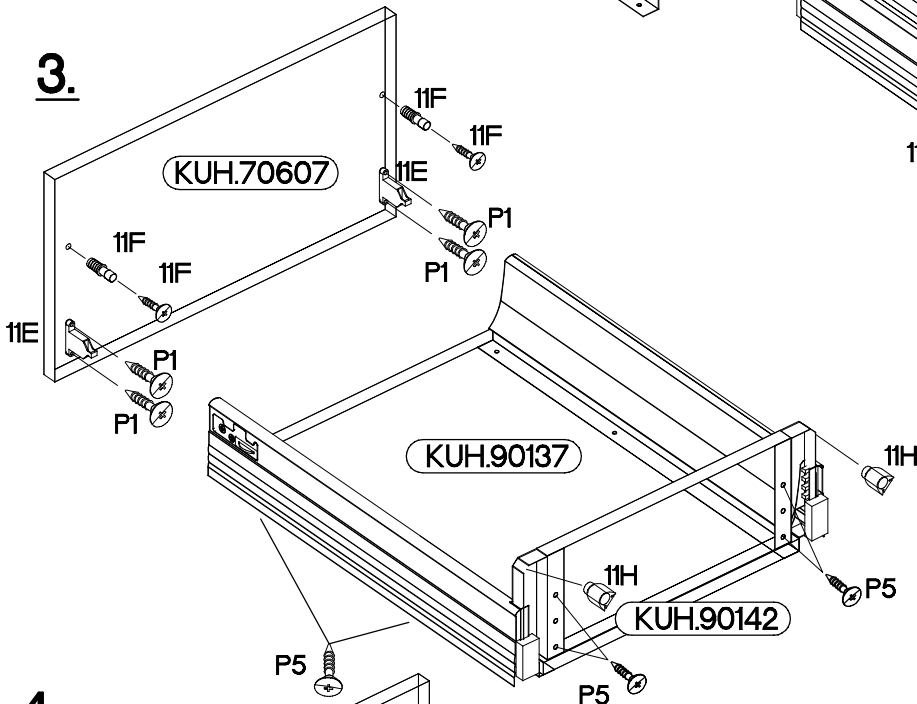
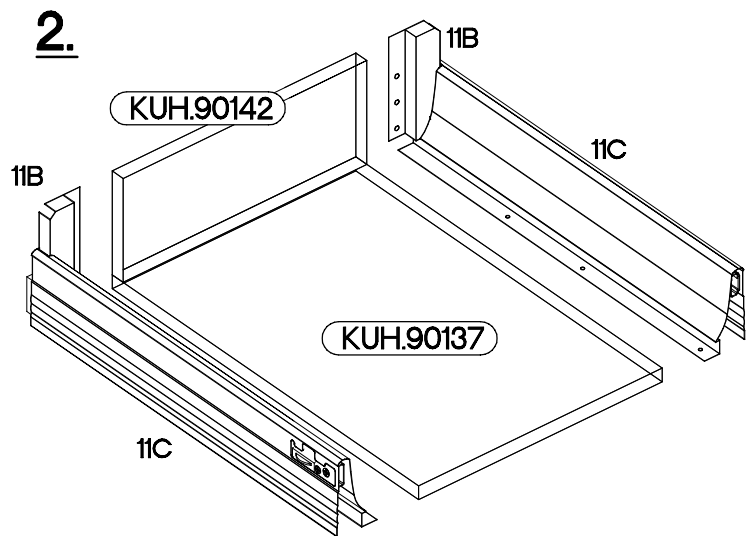
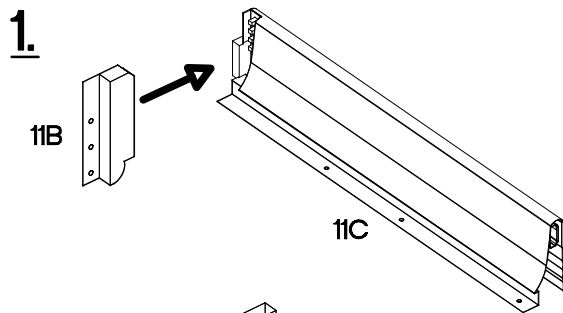


3	2	3	1	6	4
6	4	12	24	24	6
					3

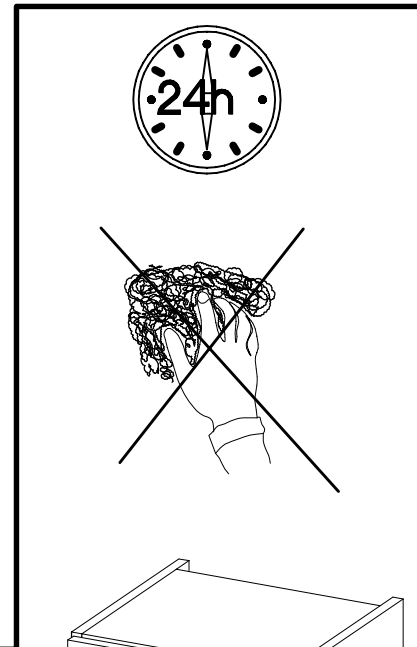
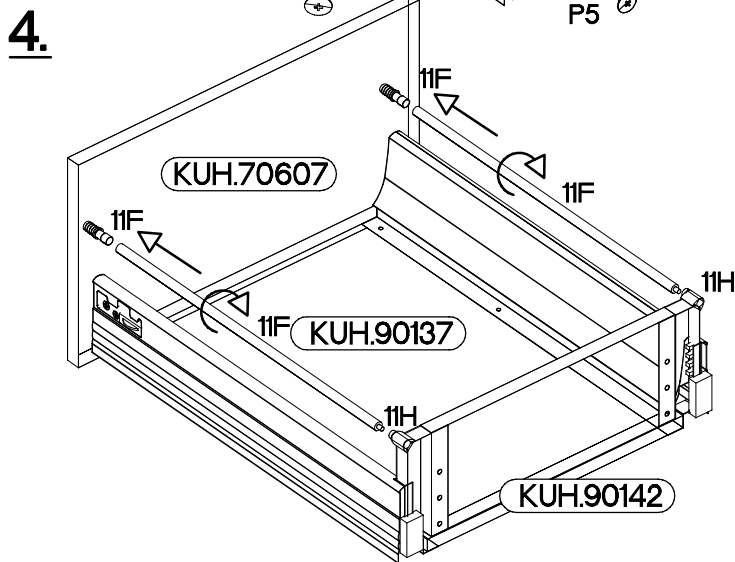


1

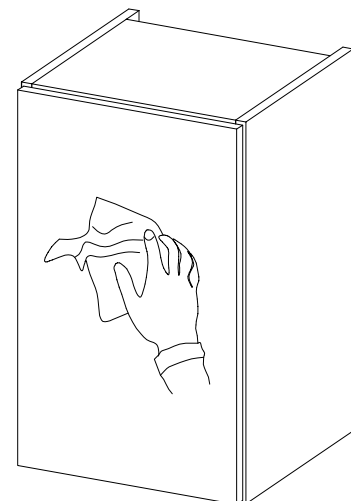
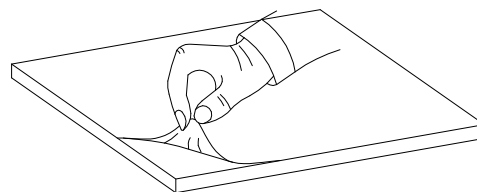
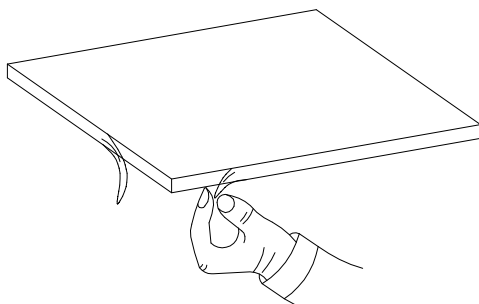
					$\pm 4.0 \times 16 \text{mm}$ 	$\pm 3.5 \times 13 \text{mm}$ 	
2	2	4	4	4	8	16	4



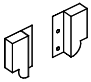
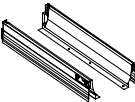




x2

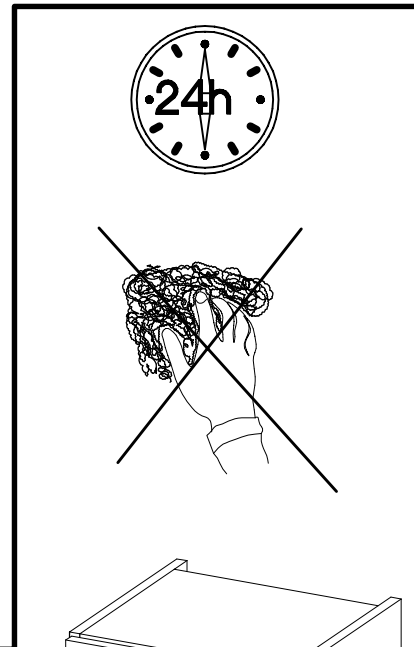
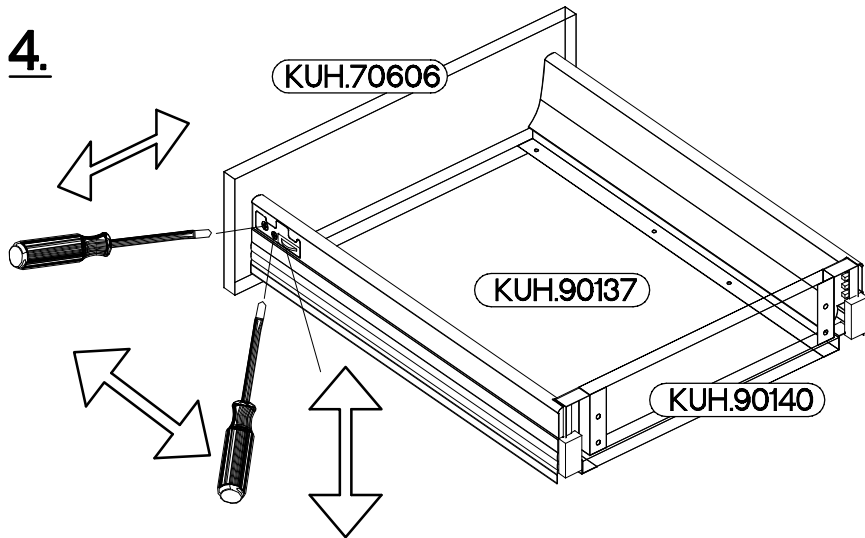
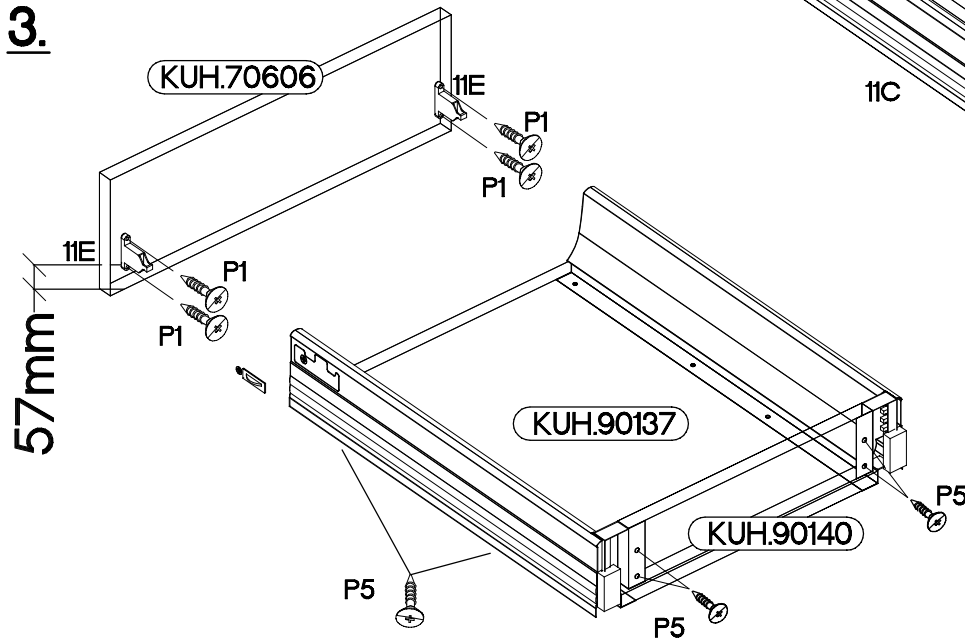
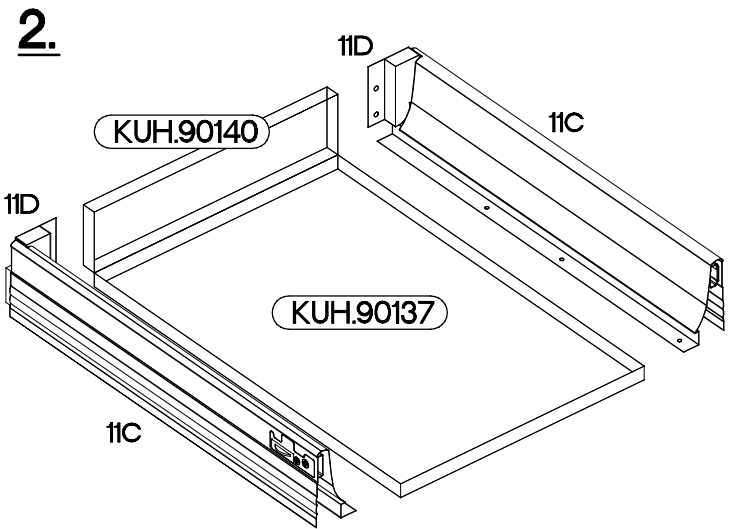
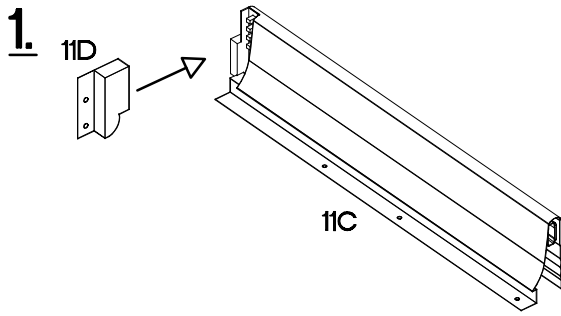


VARIANT HIGH GLOSS

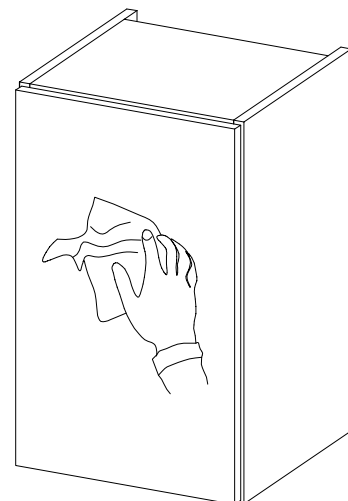
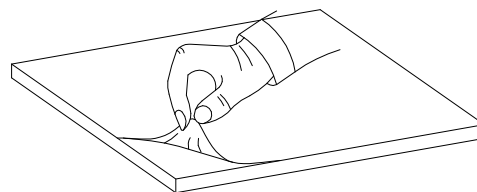
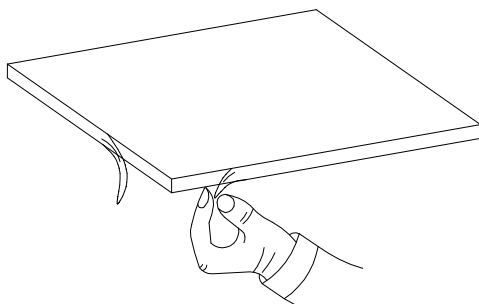


2

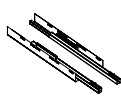


					
11D	11C	11E	P1	P5	11G
1	1	2	4	8	2

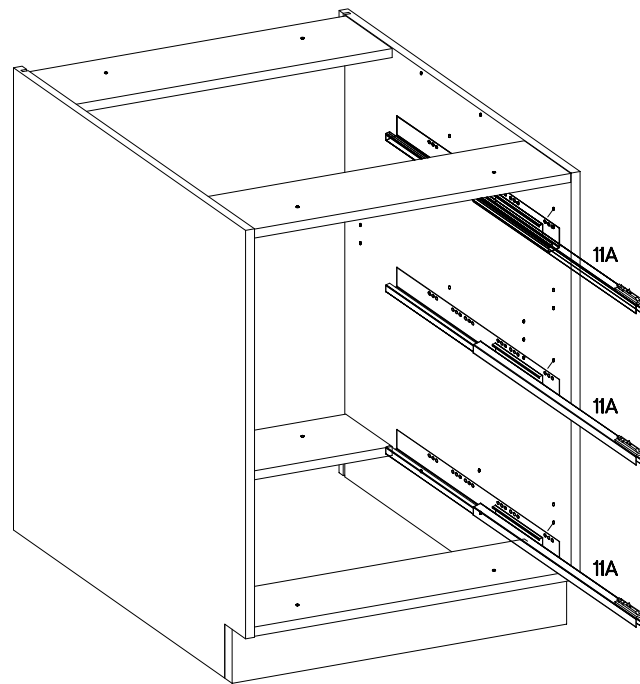
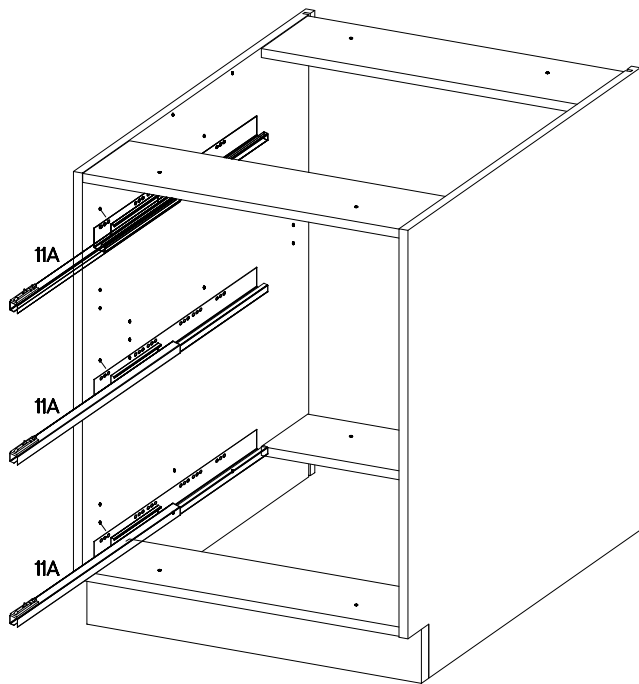
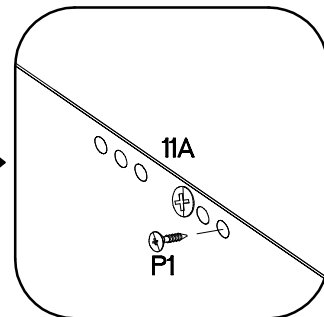
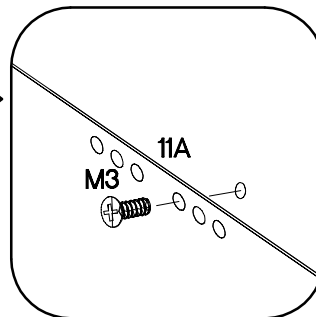
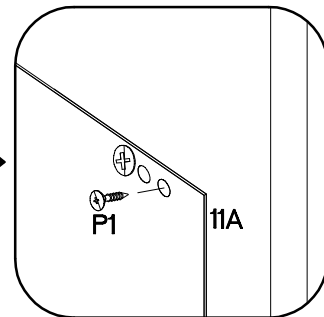
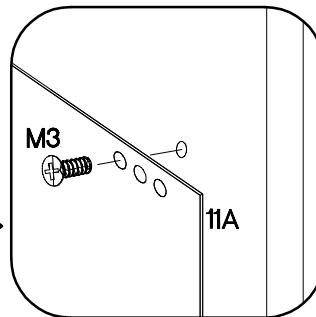
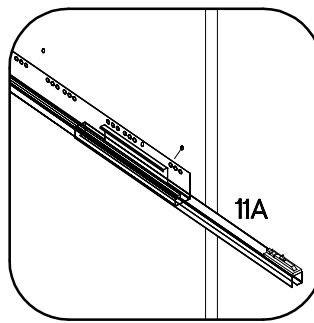


VARIANT HIGH GLOSS


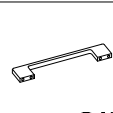


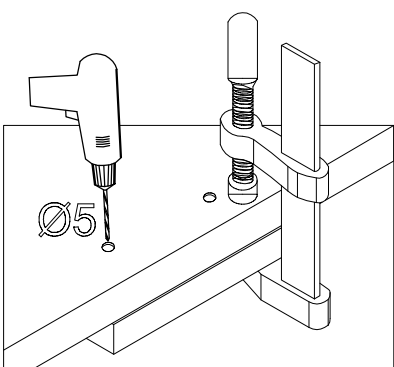
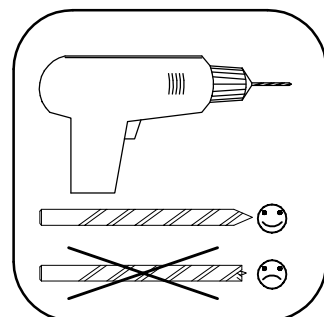
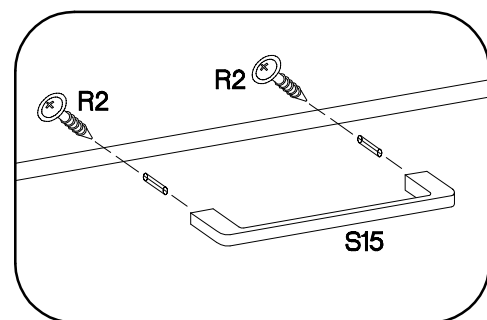
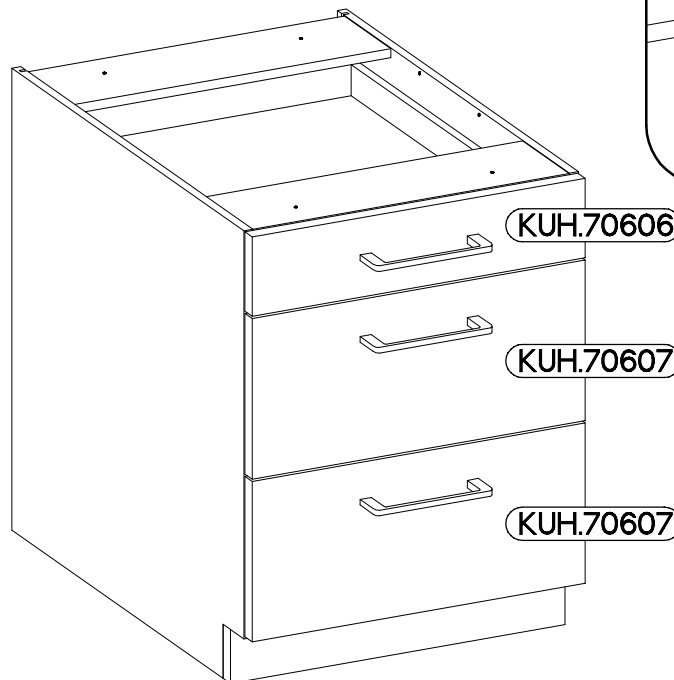
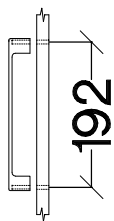
3

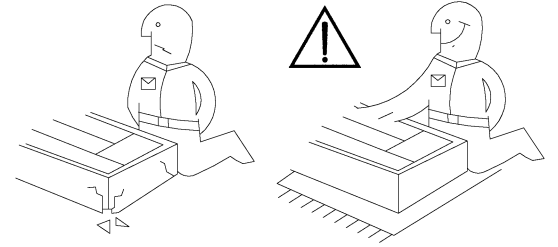
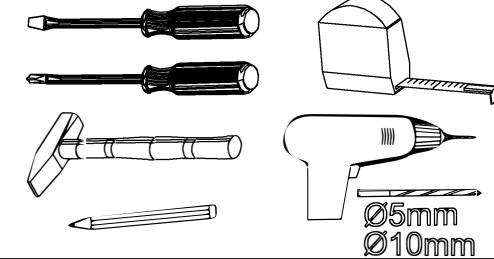
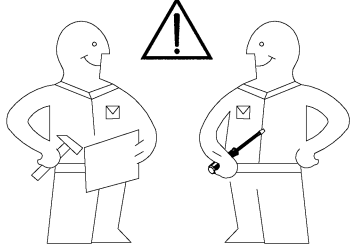
		
11A	M3	P1
3	12	12



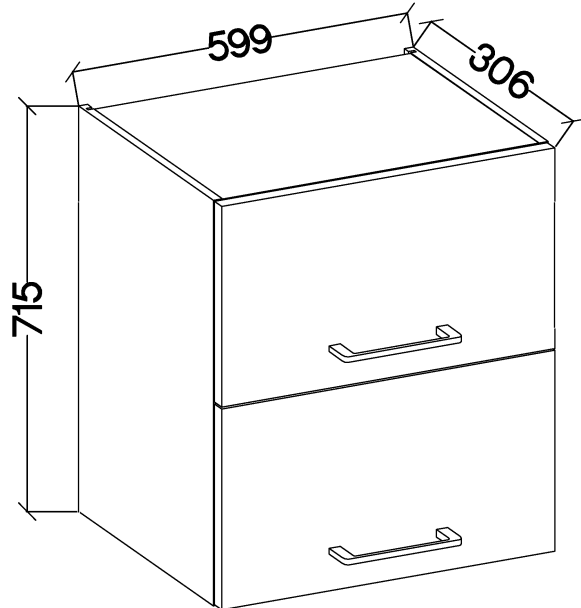
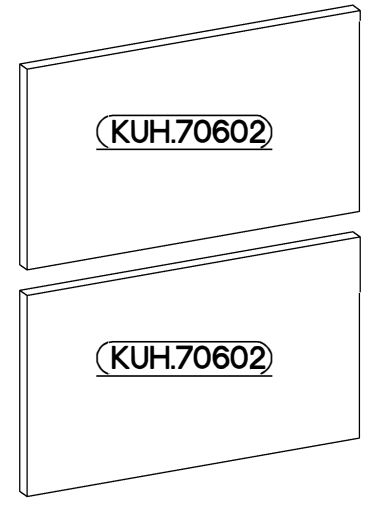
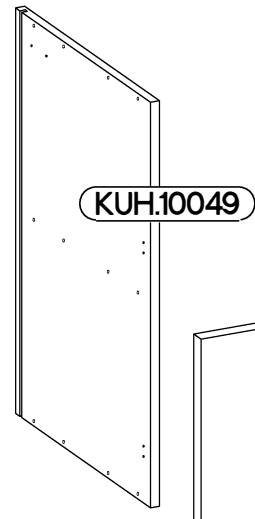
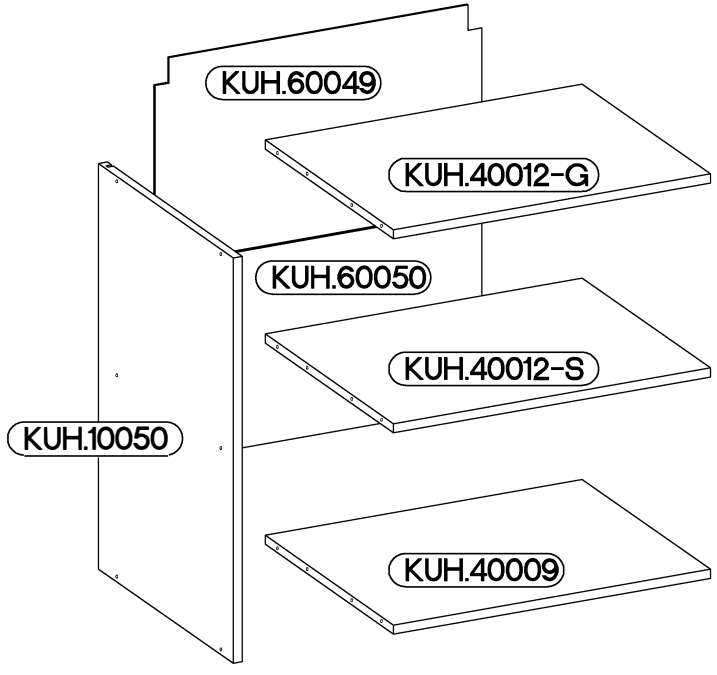
4

	
R2	S15
6	3

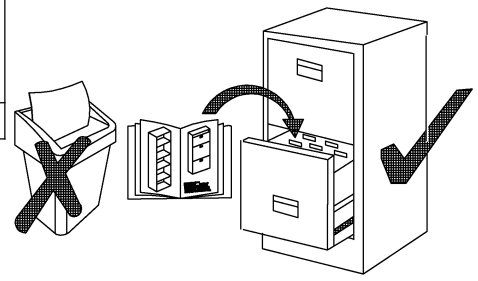




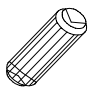
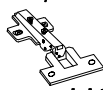


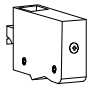
60 GU-72 2F VIRION

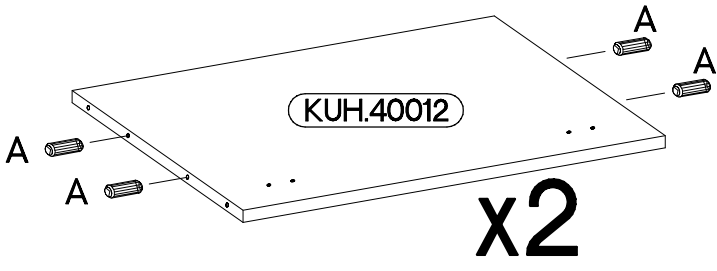
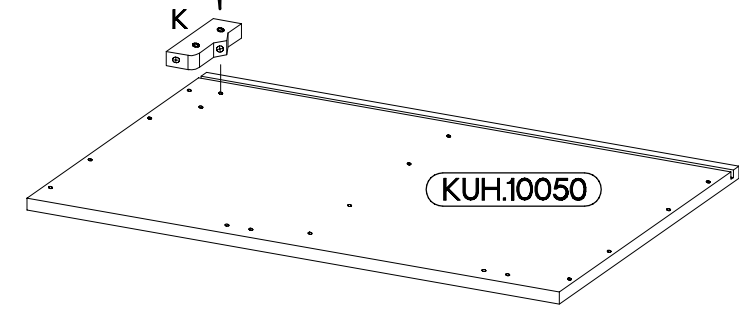
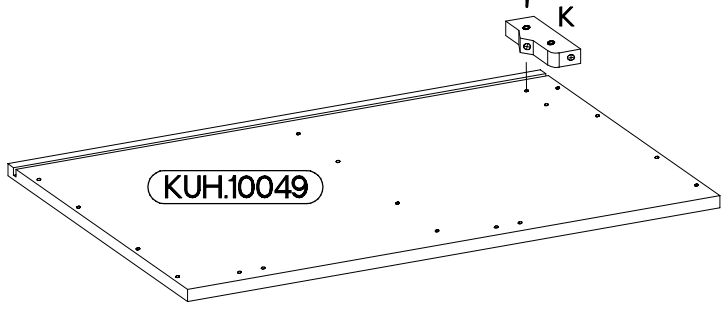
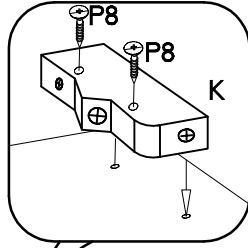
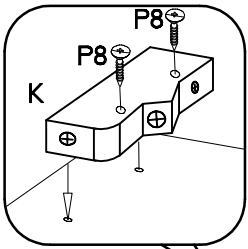
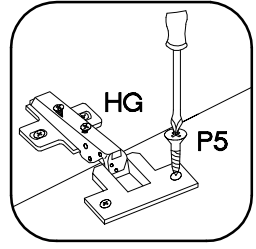
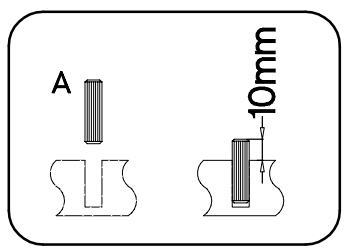
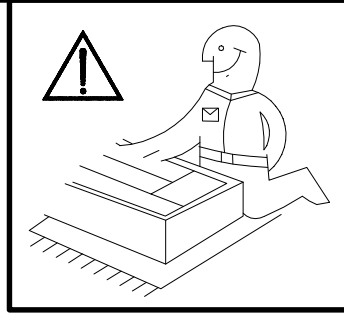



 A 12	 B 12	 E1 12	 HG 4	 J5 4	 K 2	 K24 4
 L2 4	 O 1	 P5 8	 P7 10-15	 P8 4	 R2 4	 S15 2

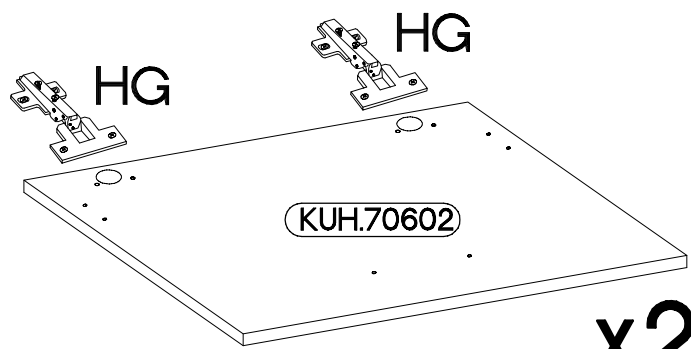
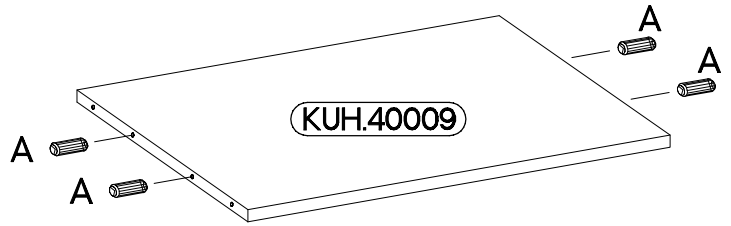


ISM-KUH-00976

±8x30mm  A	±35/0mm  HG	±3.5x13mm  P5	±4.0x30mm  P8	 K
12	4	8	4	2



x2



x2

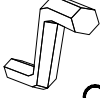
2

6,4 x 50mm



B

6



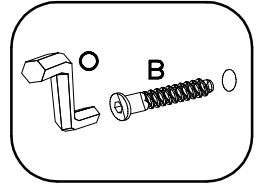
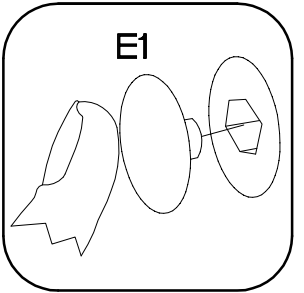
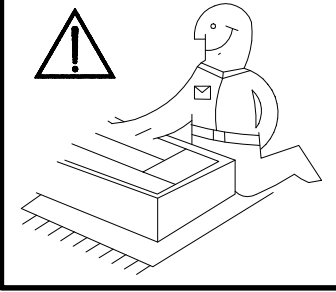
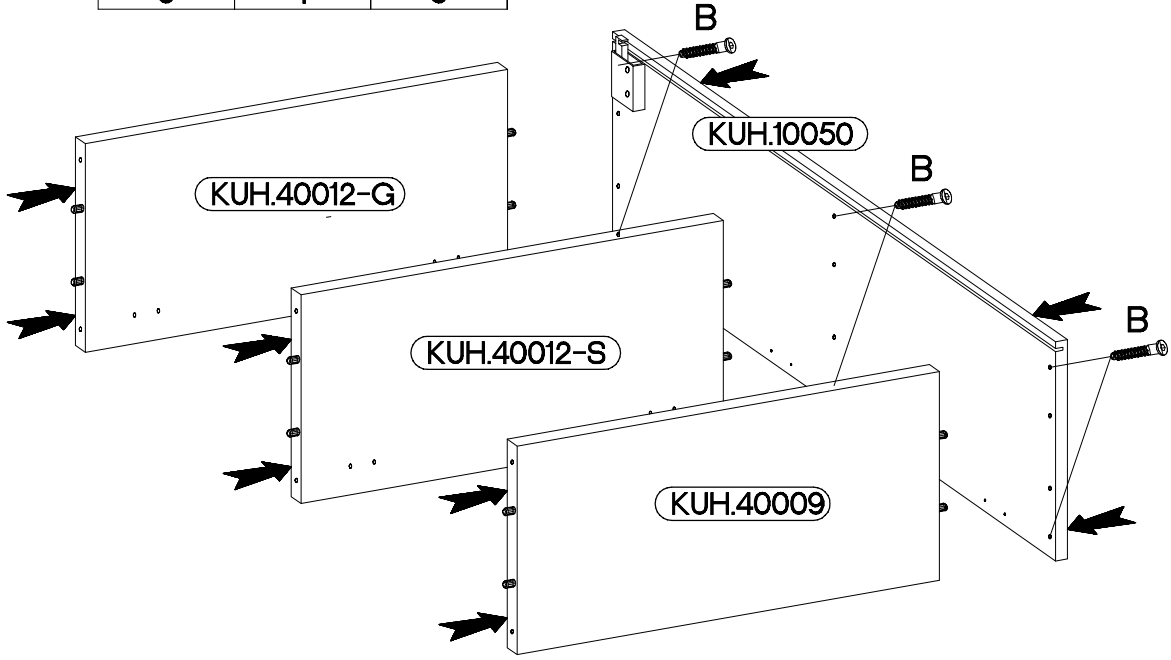
O

1



E1

6



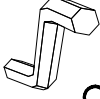
3

6,4 x 50mm



B

6



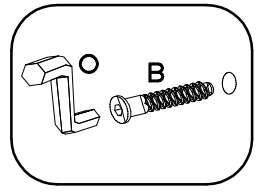
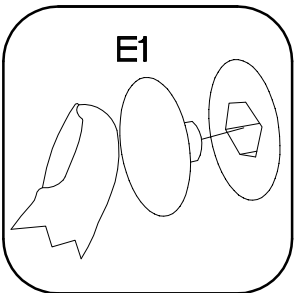
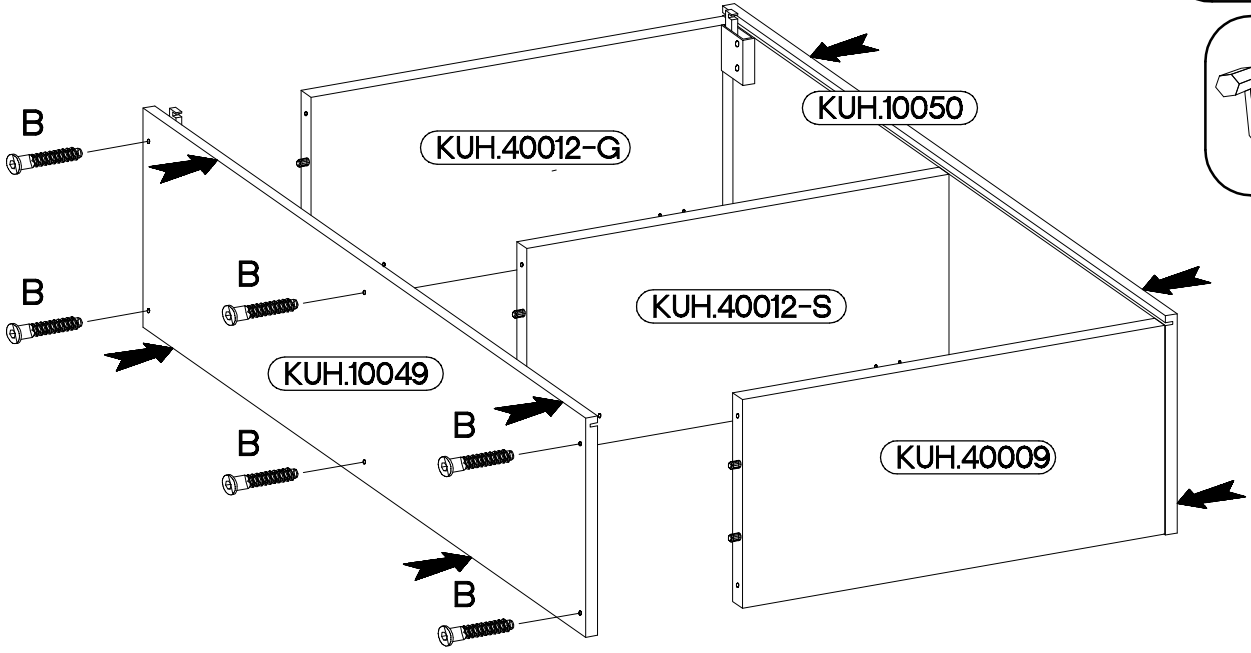
O

1

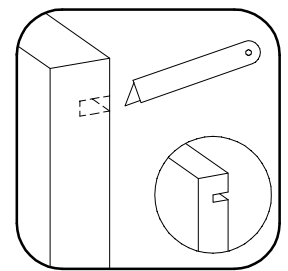
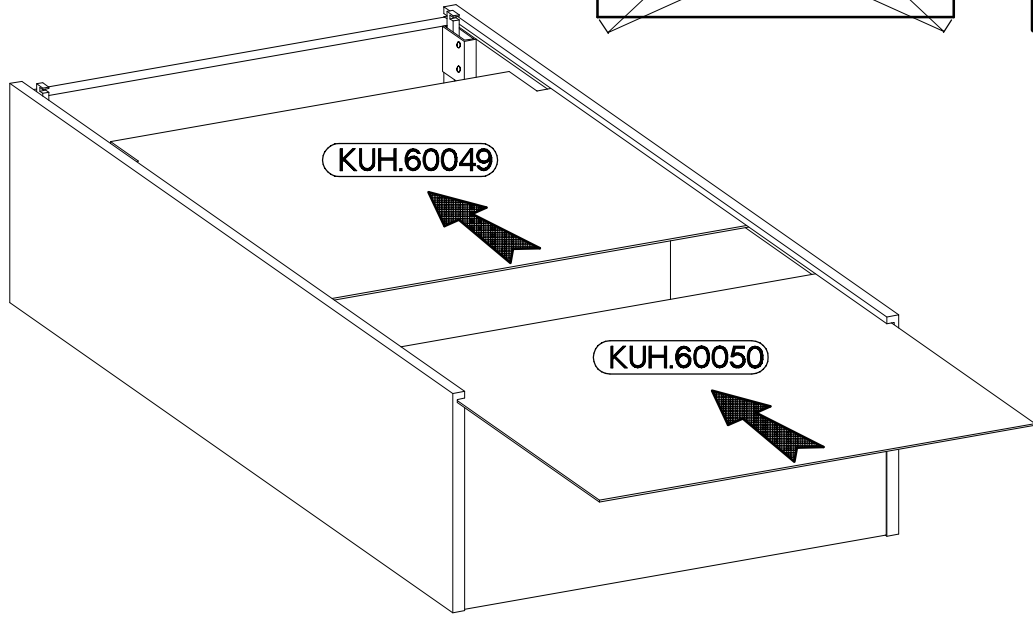
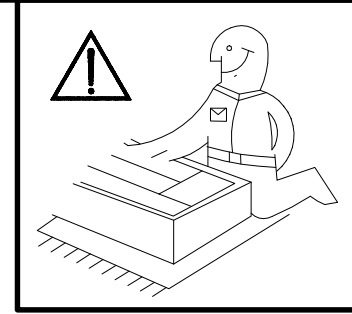
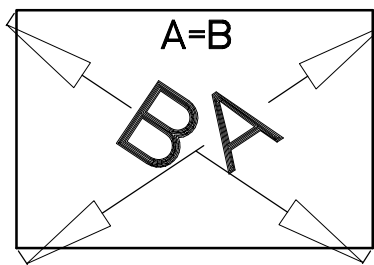


E1

6

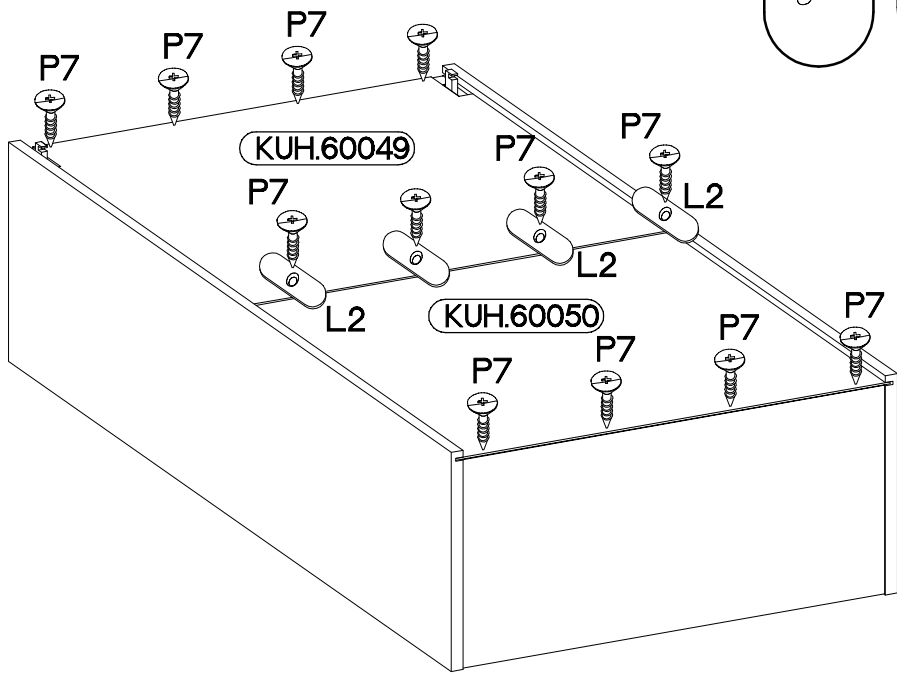
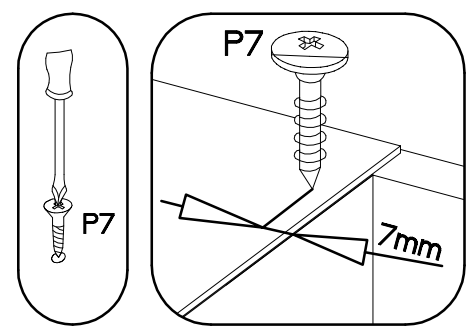


4

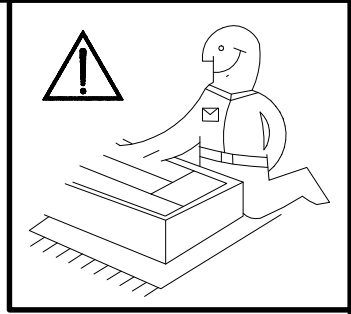
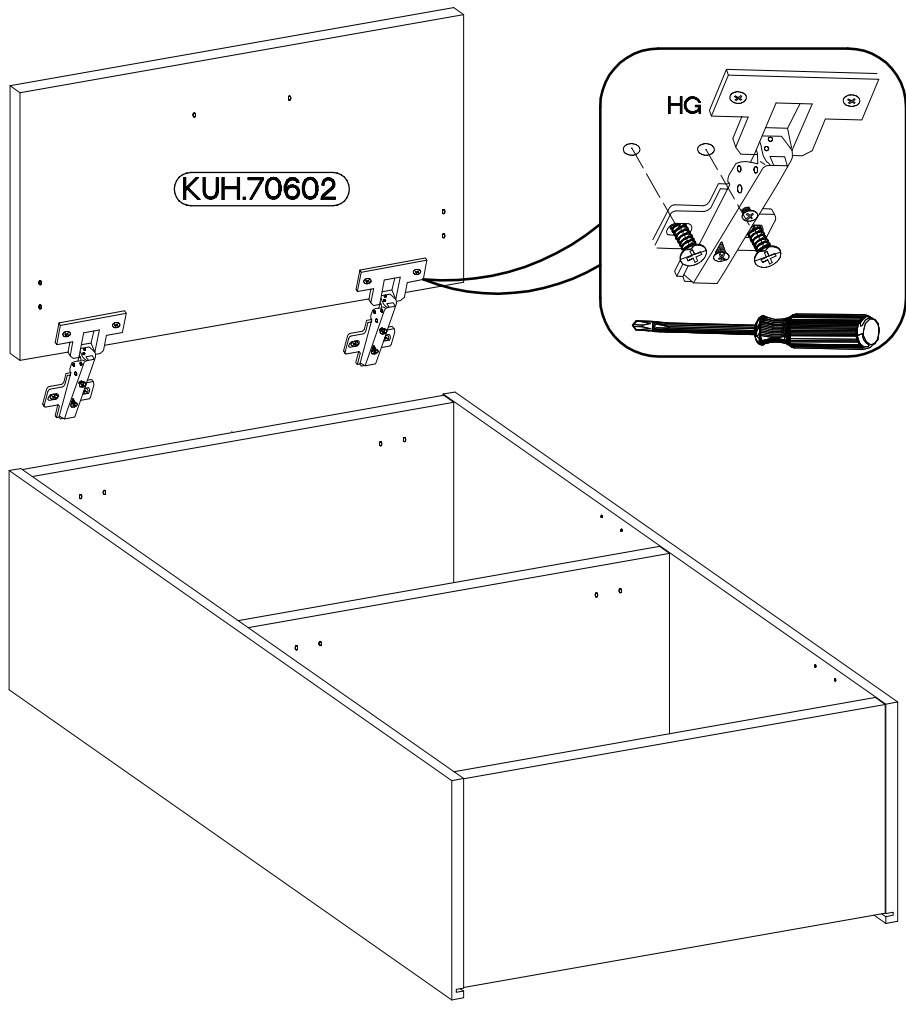


5

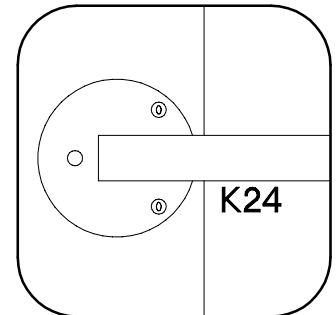
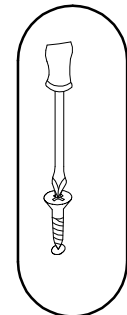
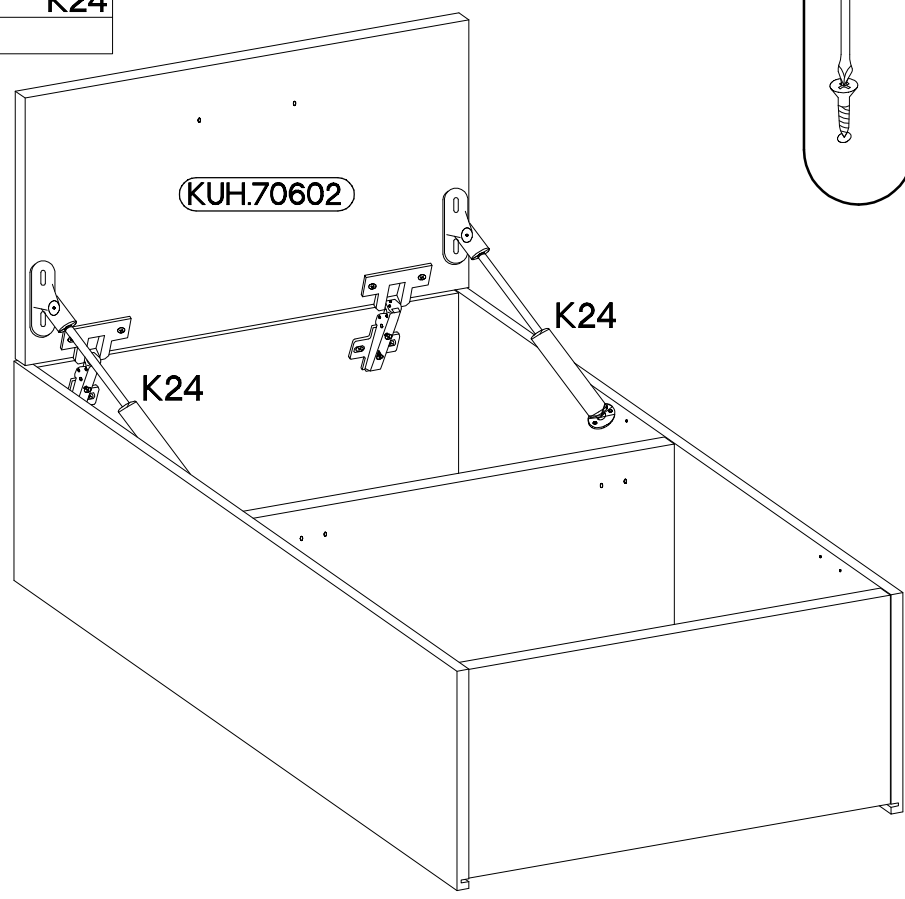
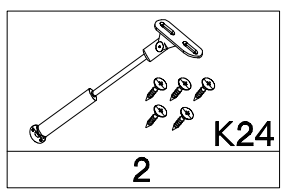
†3.0x20mm P7 10-15	 L2 4
------------------------------	-------------



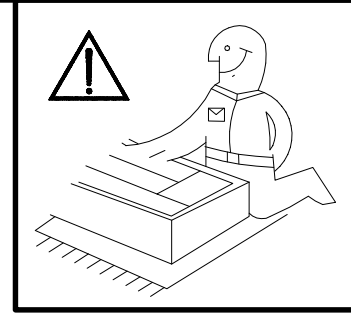
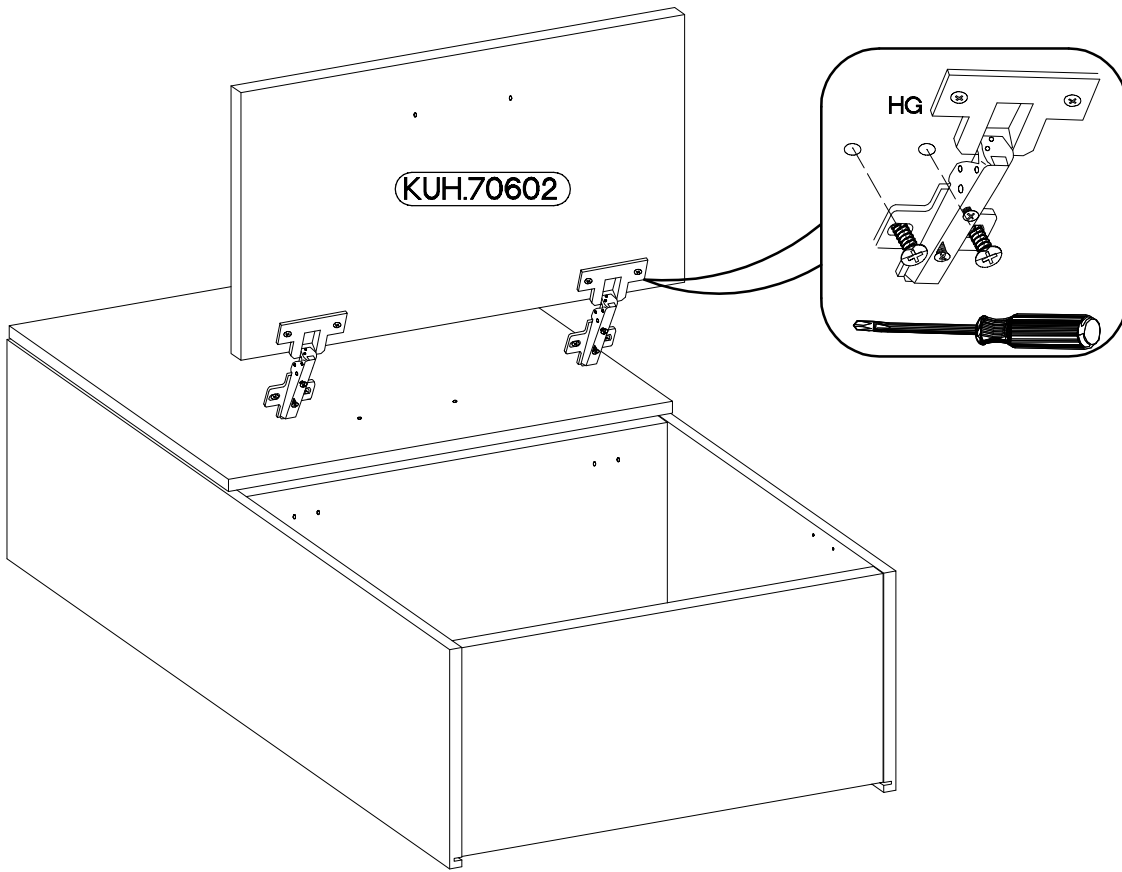
6



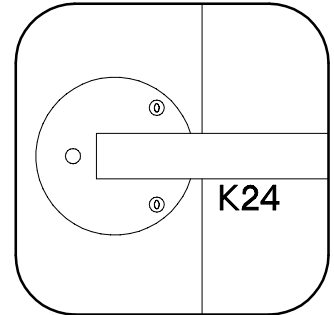
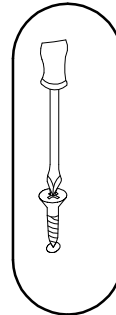
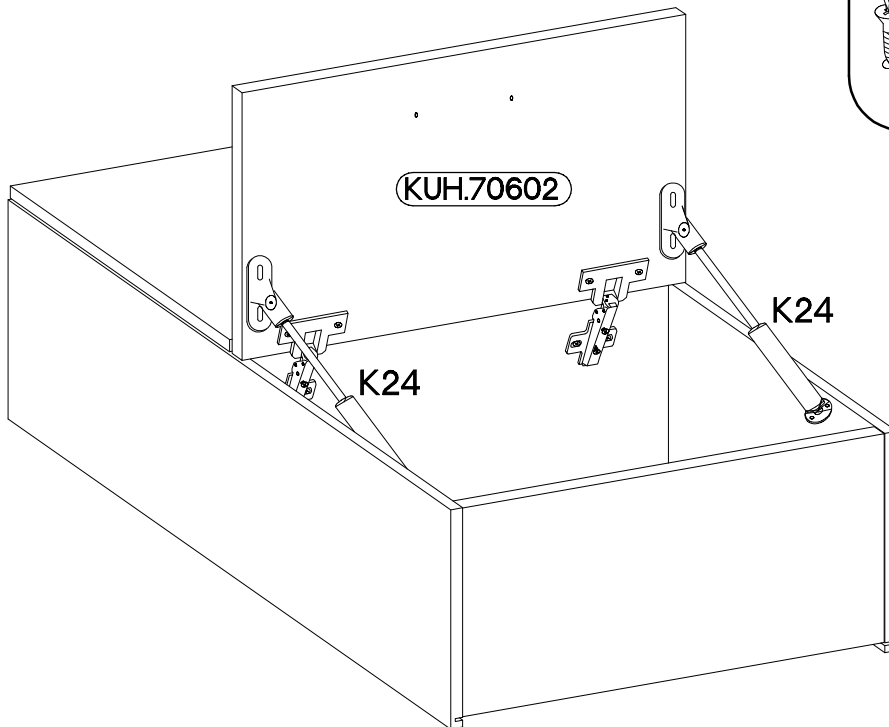
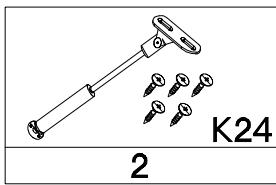
7


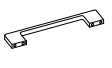



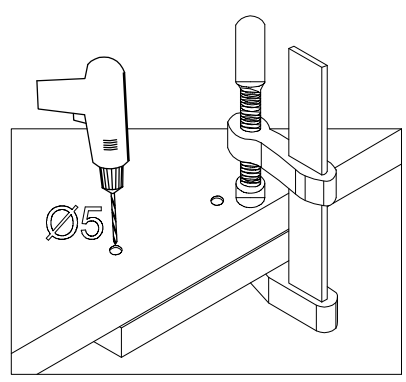
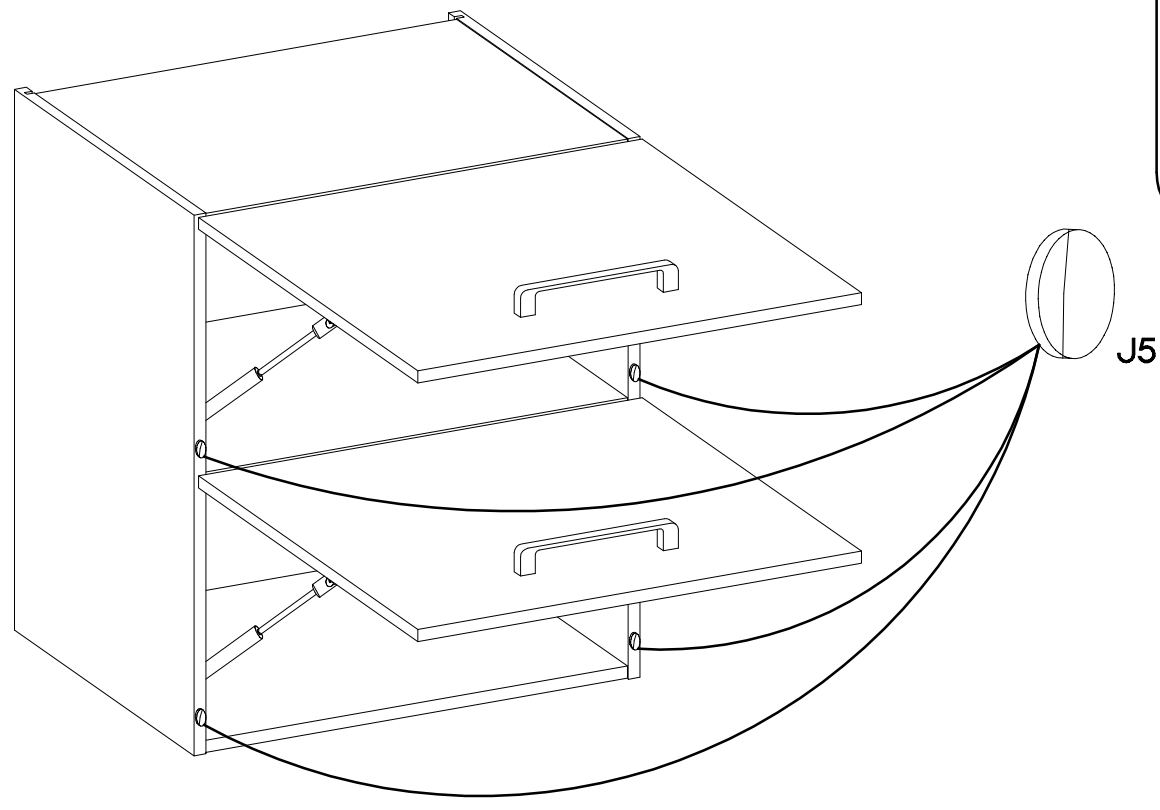
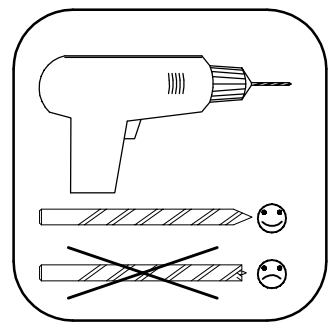
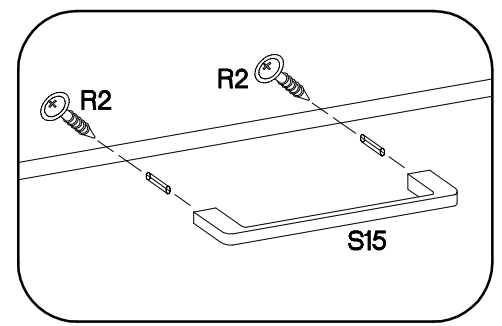
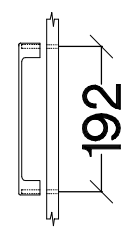
8



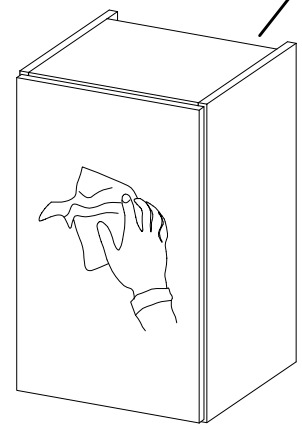
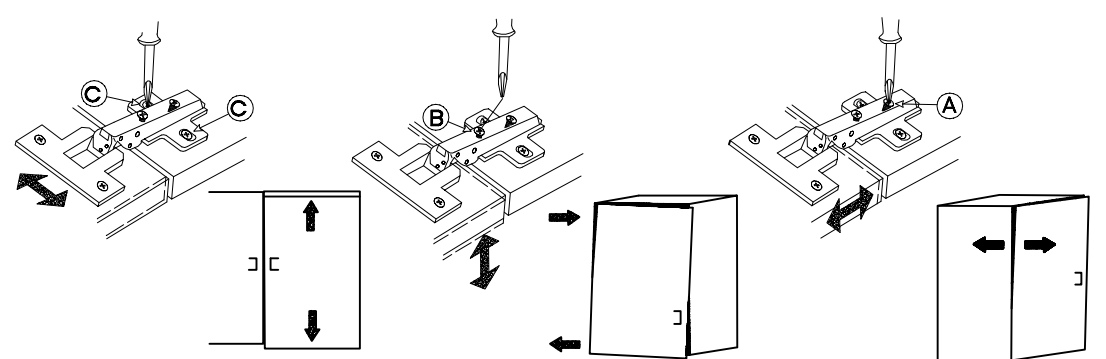
9

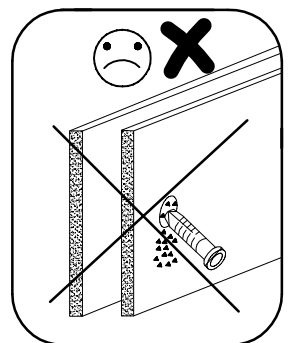
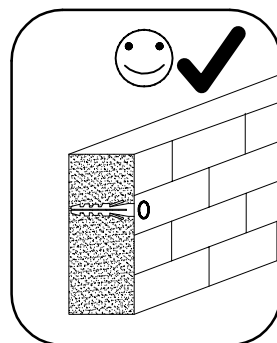
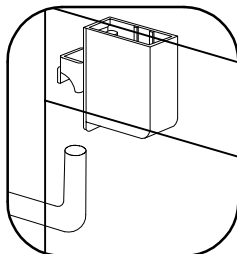
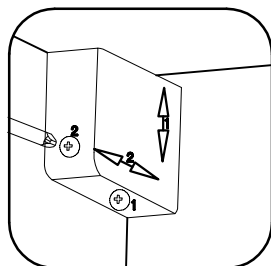
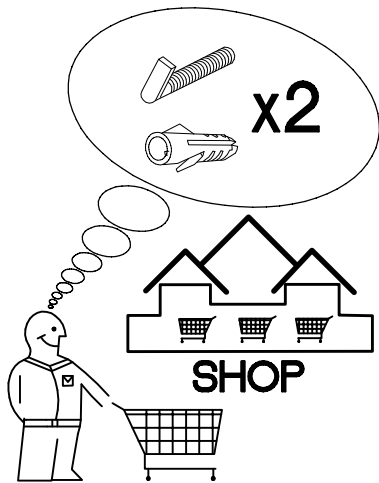
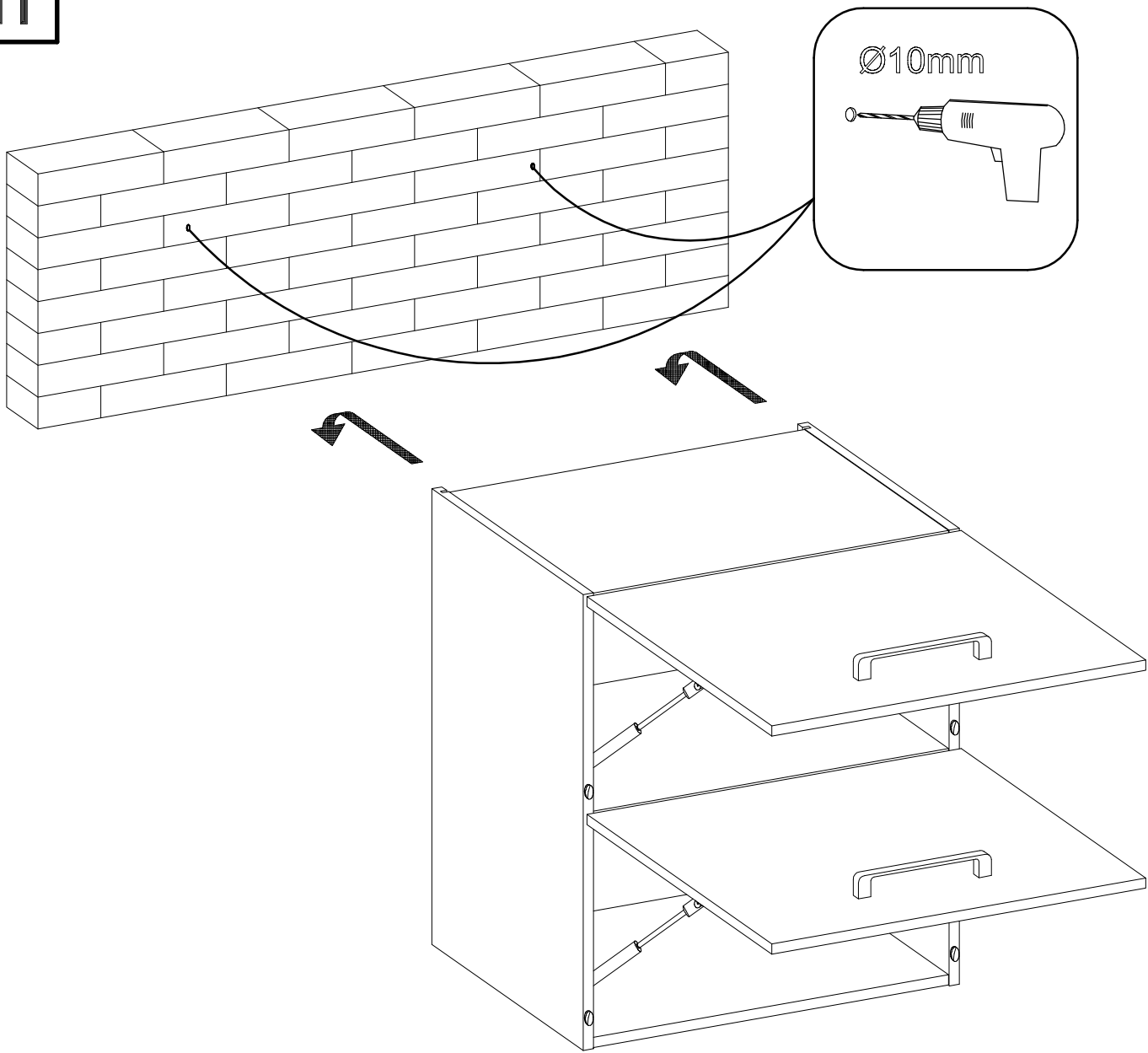


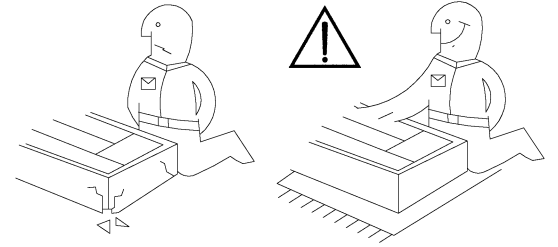
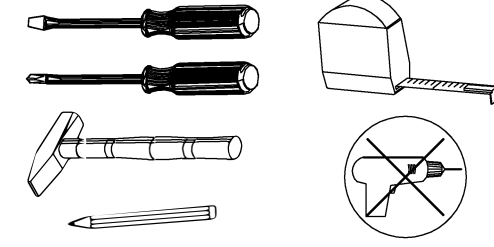
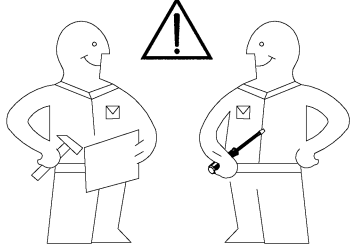
+4.0x30mm		
		
R2	S15	J5
4	2	4



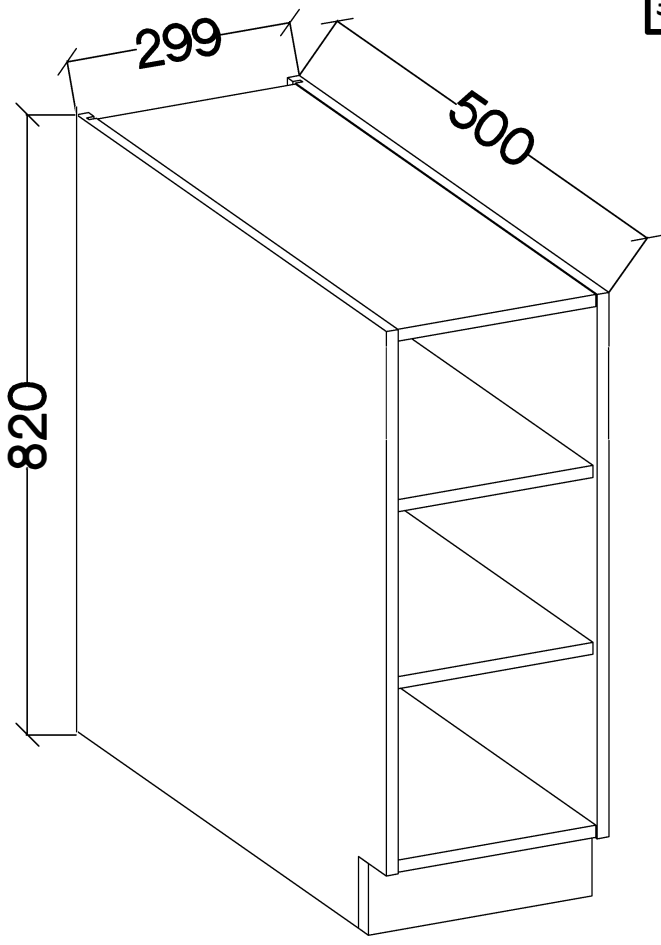
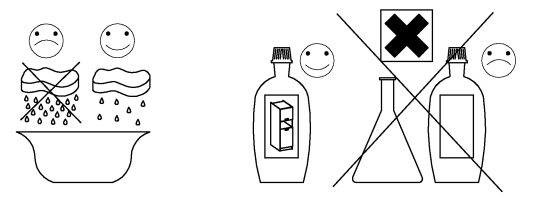
VARIANT HIGH GLOSS



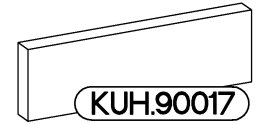
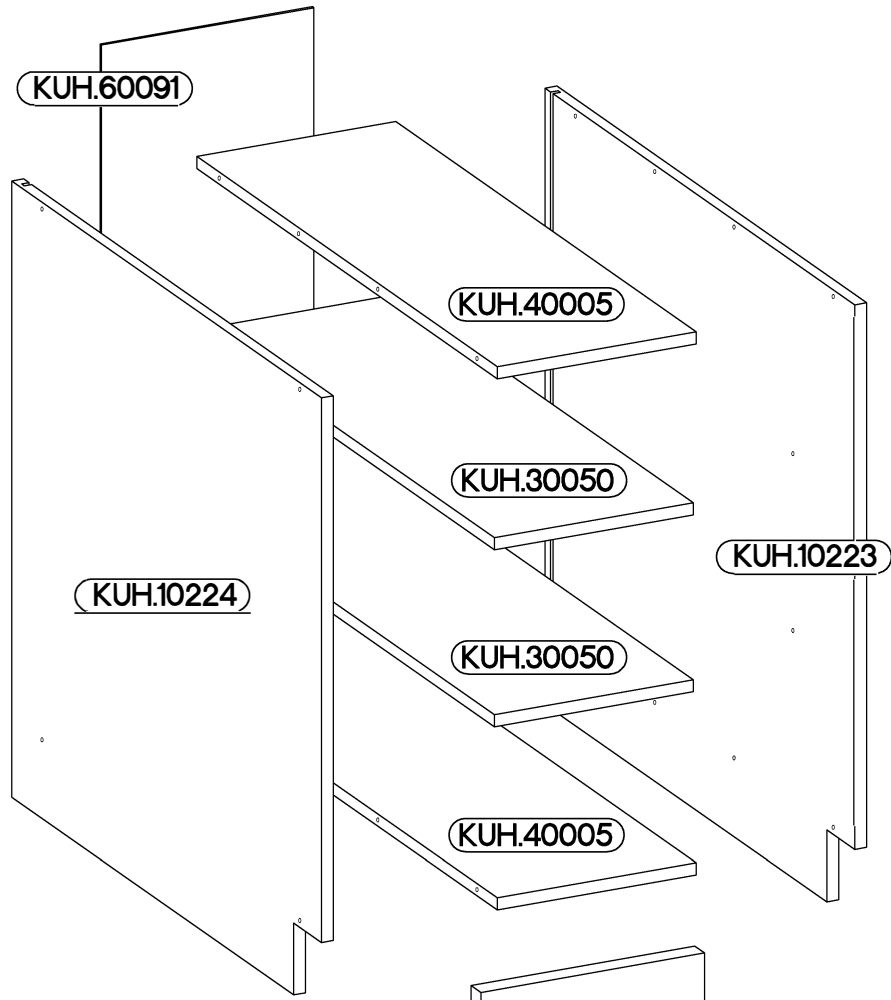
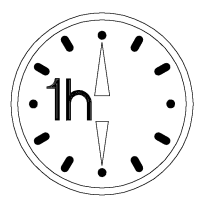




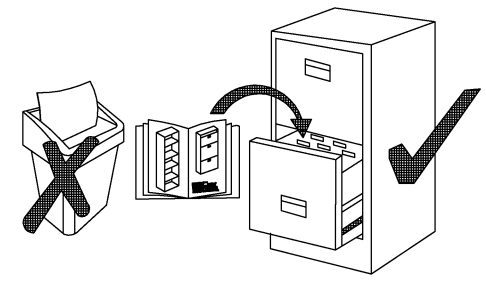
30 D OTW BB VIRION



KUH.30050
KUH.40005

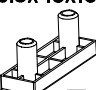
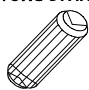


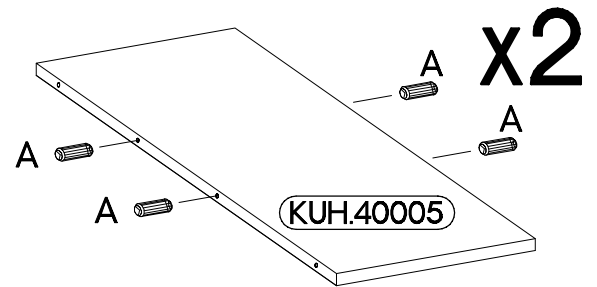
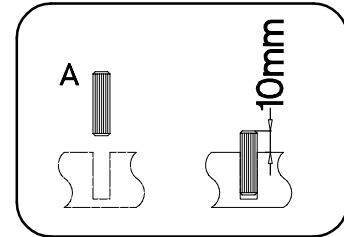
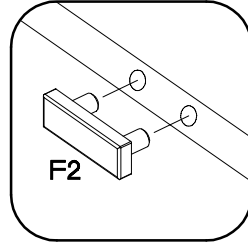
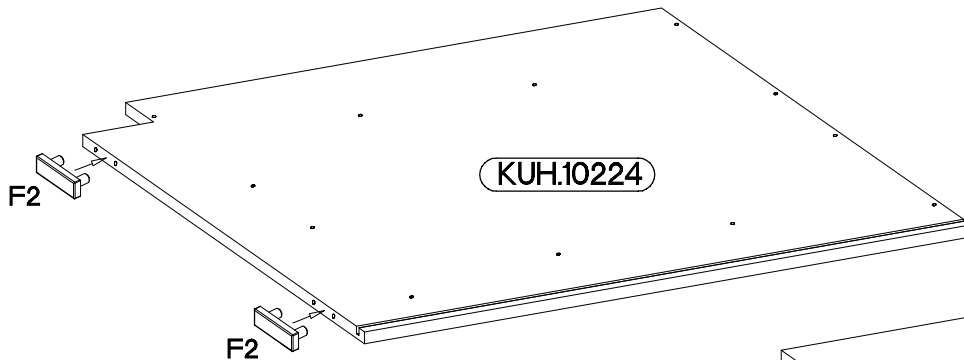
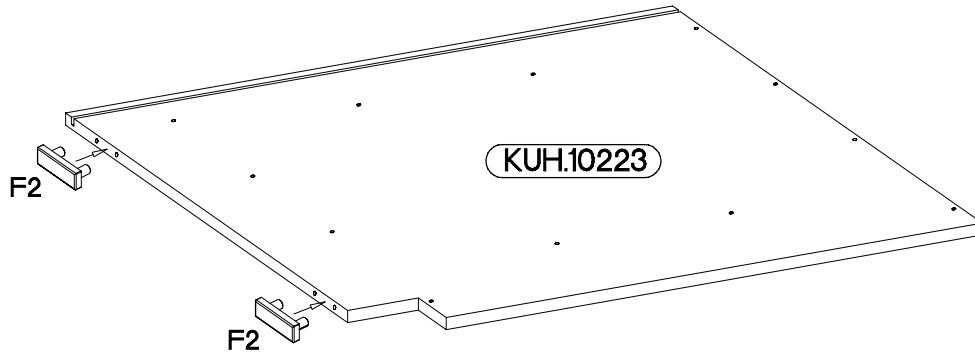
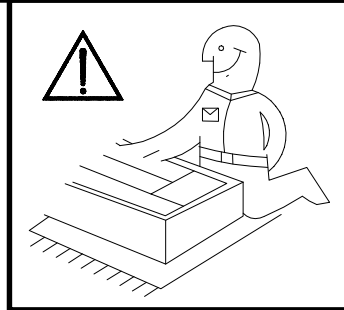
 A 8	 B 8	 E1 8	 F2 4	 J3 8
 O 1	 P1 2	 P7 8-10	 T3 1	




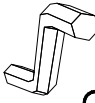

ISM-KUH-00985

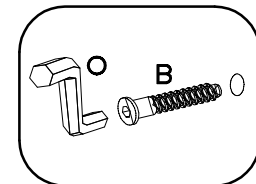
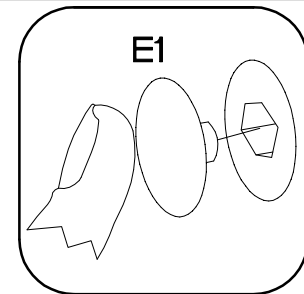
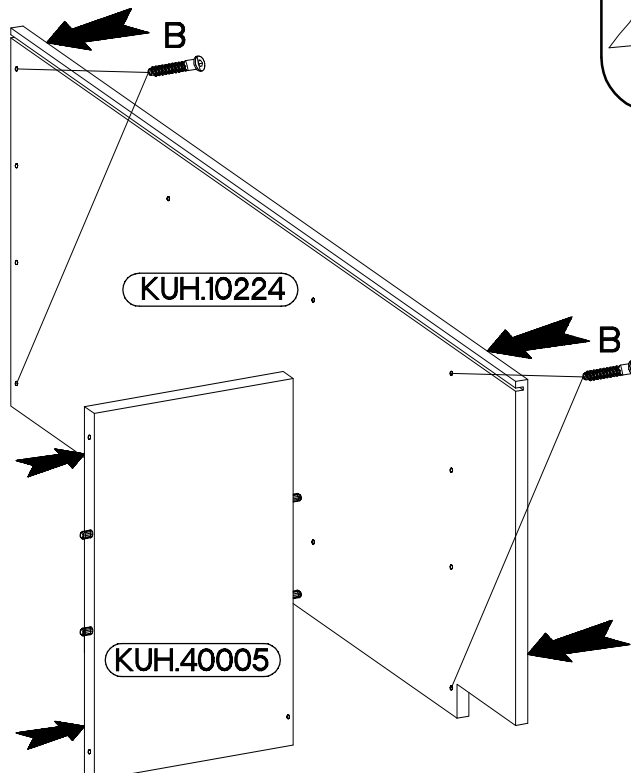
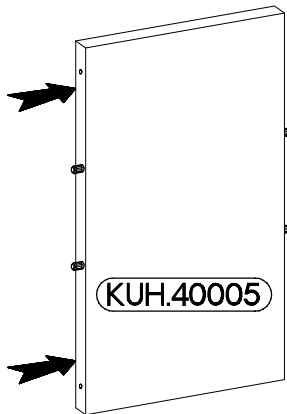
1

6.5x48x16  F2 4	+8x30mm  A 8
--	---


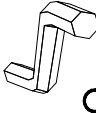



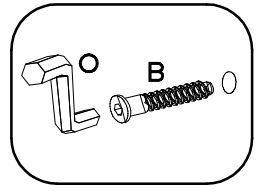
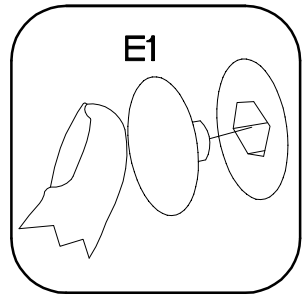
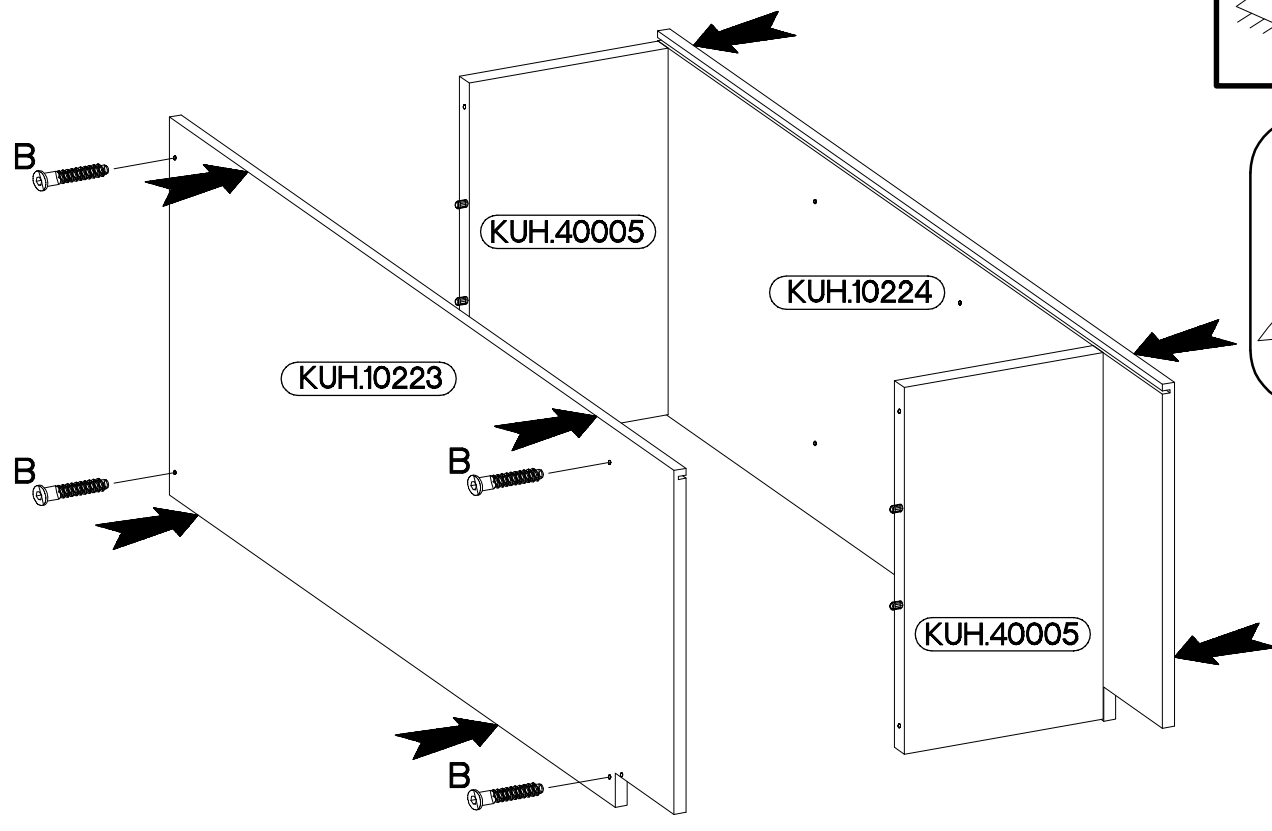
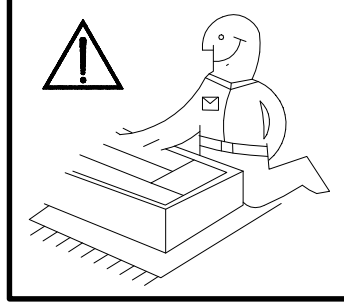
2

6,4 x 50mm  B 4	 O 1	 E1 4
---	---	--




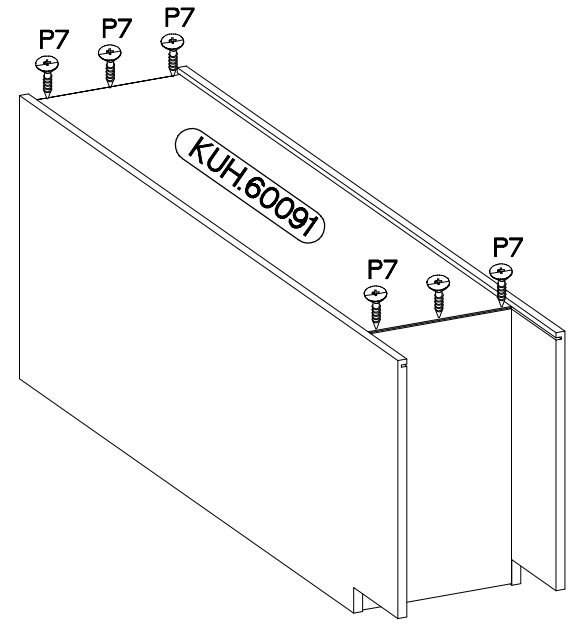
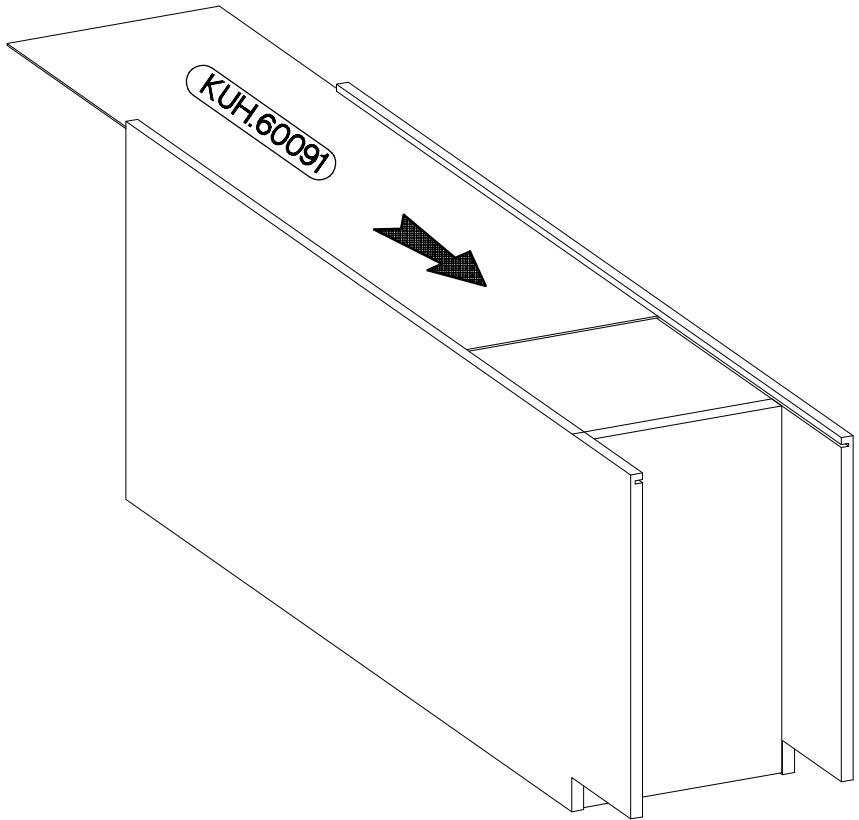
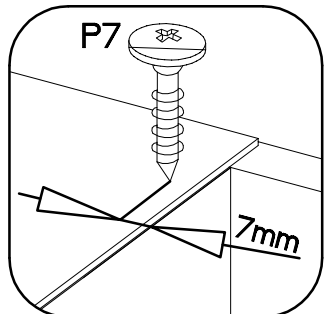
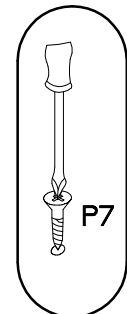
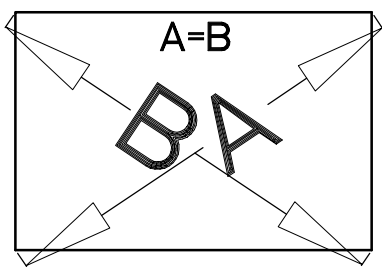
3

6,4 x 50mm			
	B	O	E1
	4	1	4

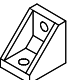



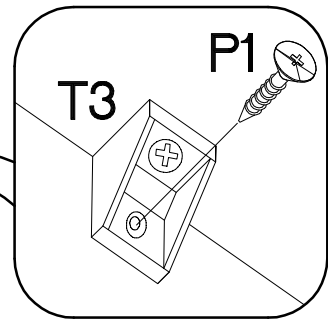
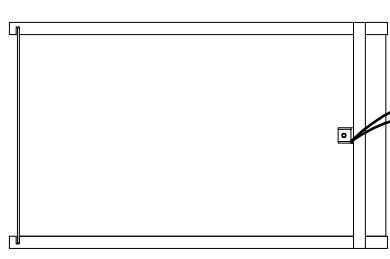
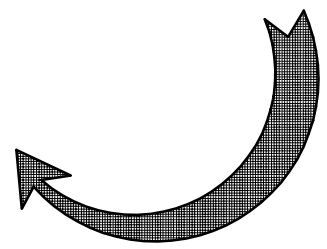
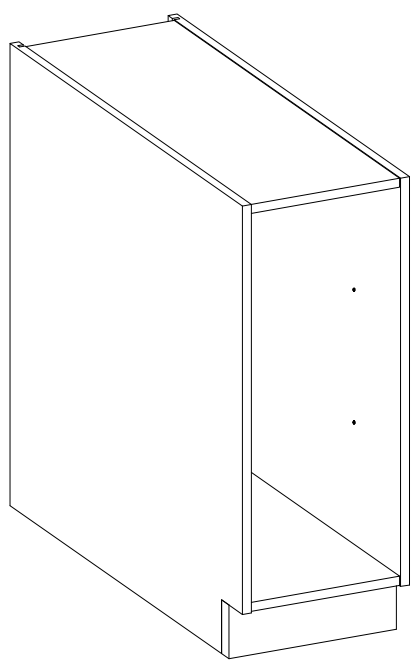
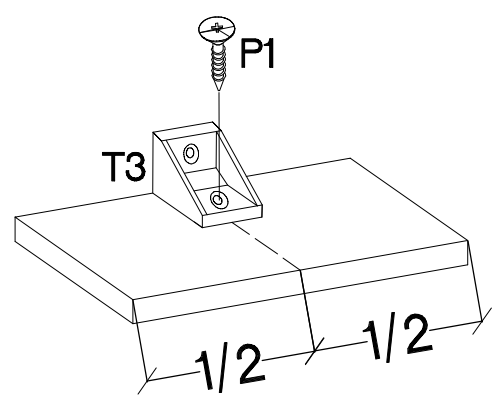
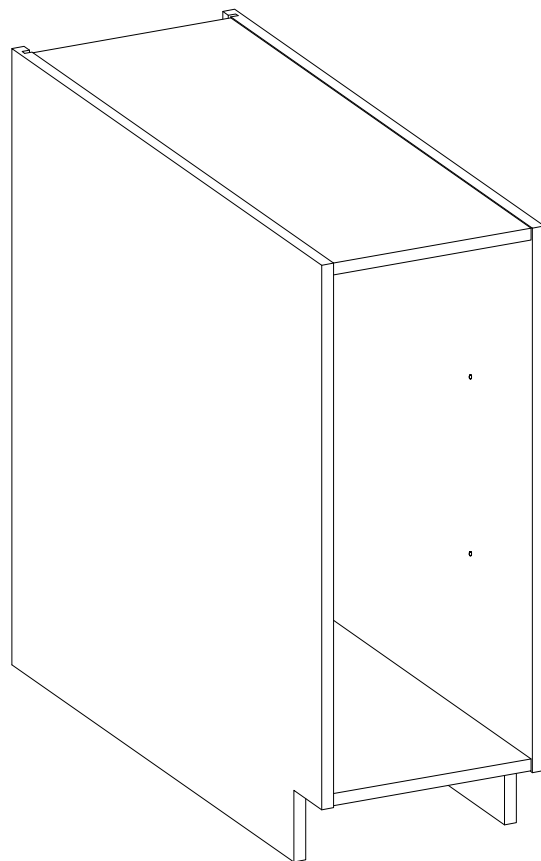
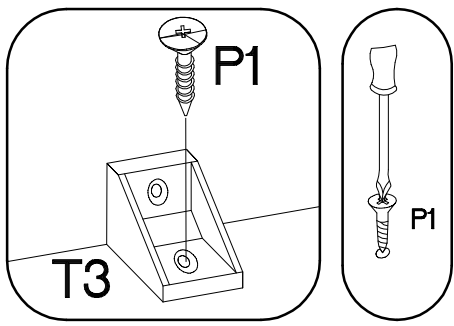
4

3.0x20mm	
	P7
	8-10

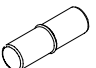


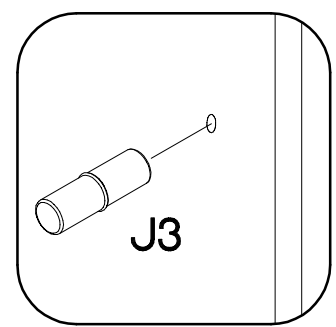
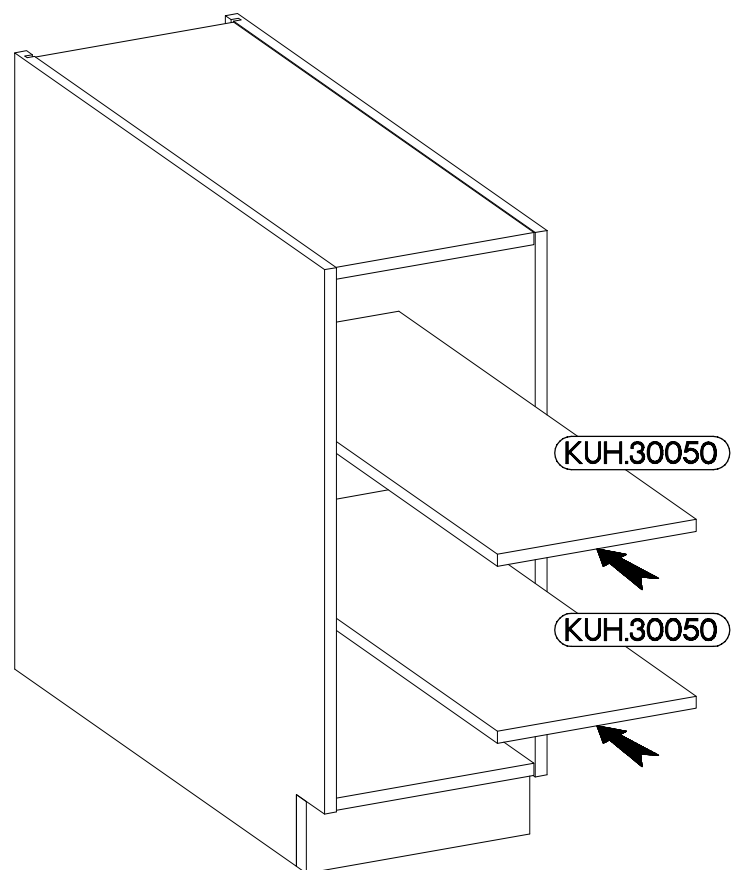
5

	4.0x16mm 
T3	P1
1	2



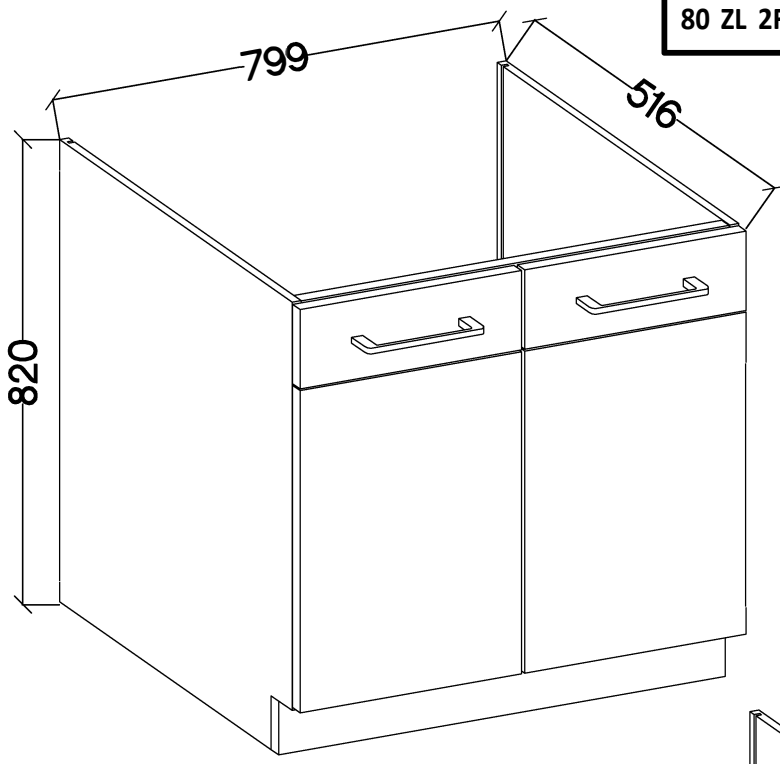
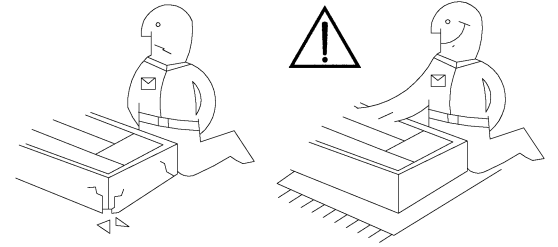
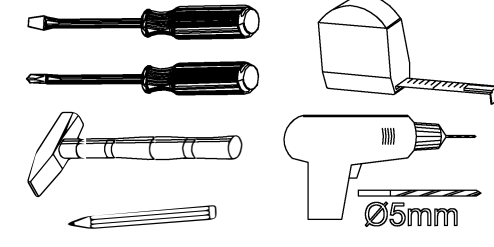
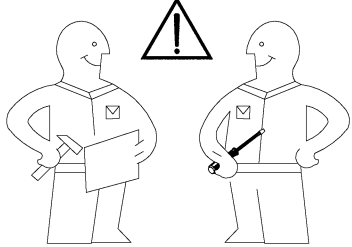
6


J3
8

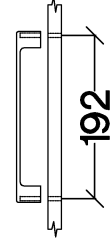
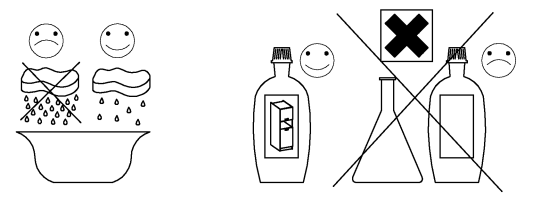


KUH.30050

KUH.30050

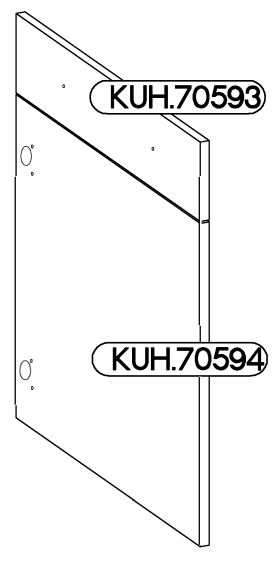
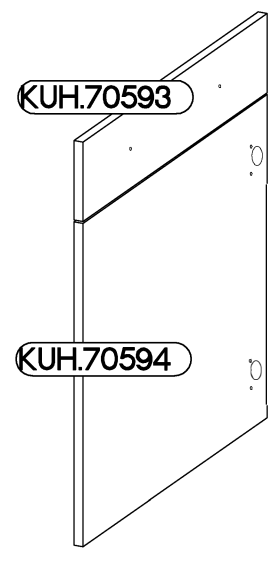
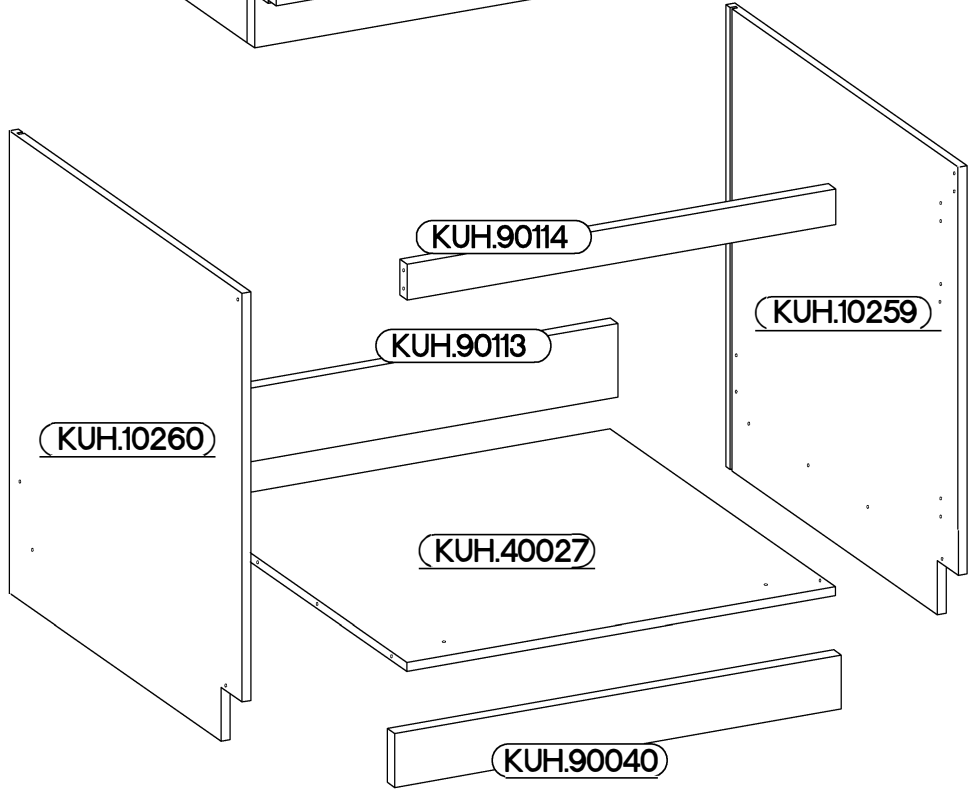
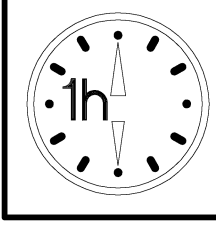


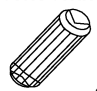




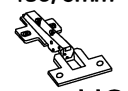







80 ZL 2F BB VIRION

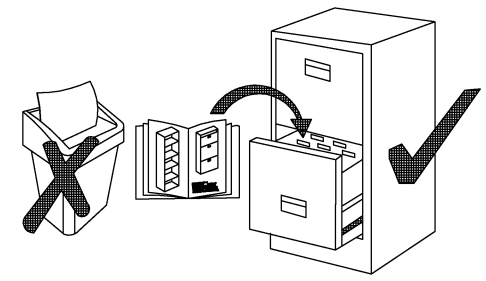


max. 10kg

KUH.40027

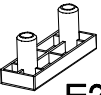
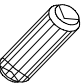


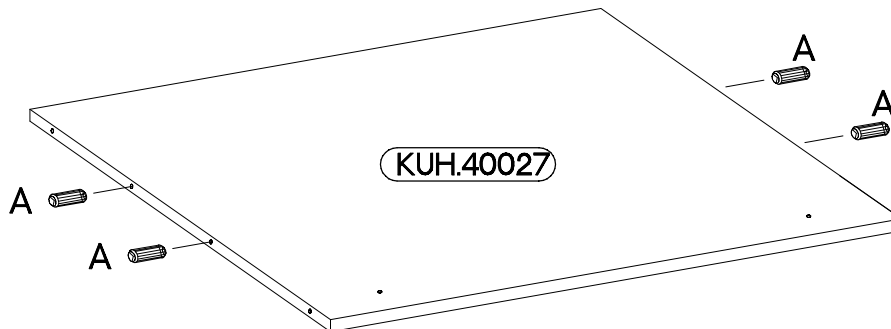
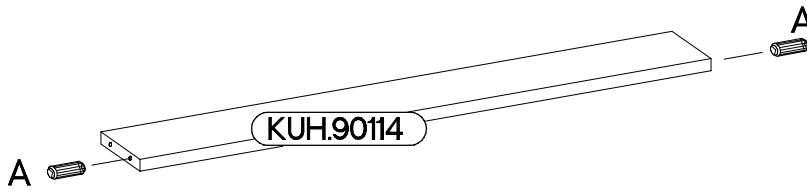
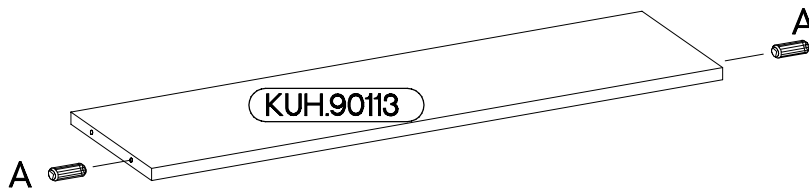
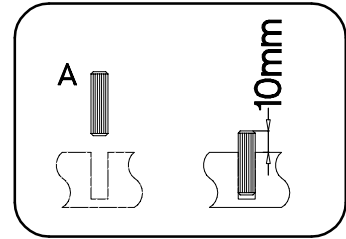
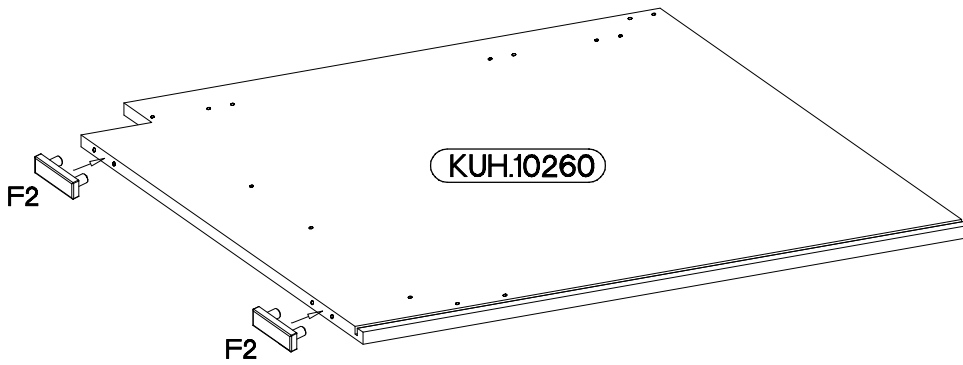
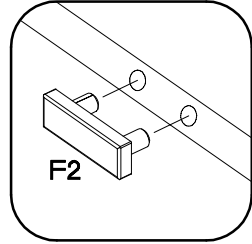
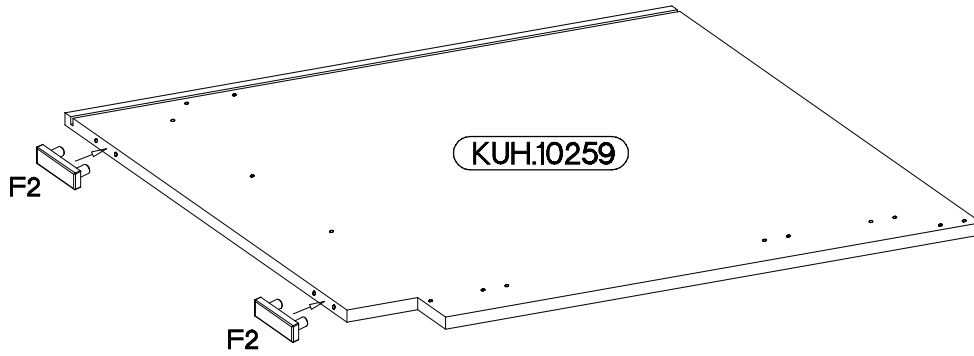
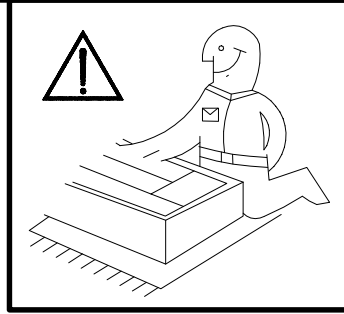
 †8x30mm A	 6,4 x 50mm B	 E1	 E9	 6.5x48x16 F2	 †35/0mm HG	 K28
8	8	8	2	4	4	4
 K29	 O	 †4.0x45mm P4	 †3.5x13mm P5	 †4.0x30mm R2	 S15	
2	1	2	16	4	2	




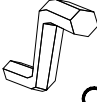

ISM-KUH-00993

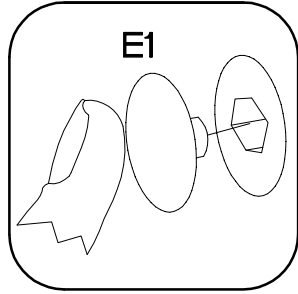
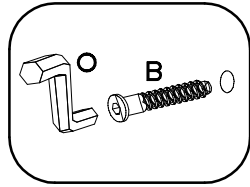
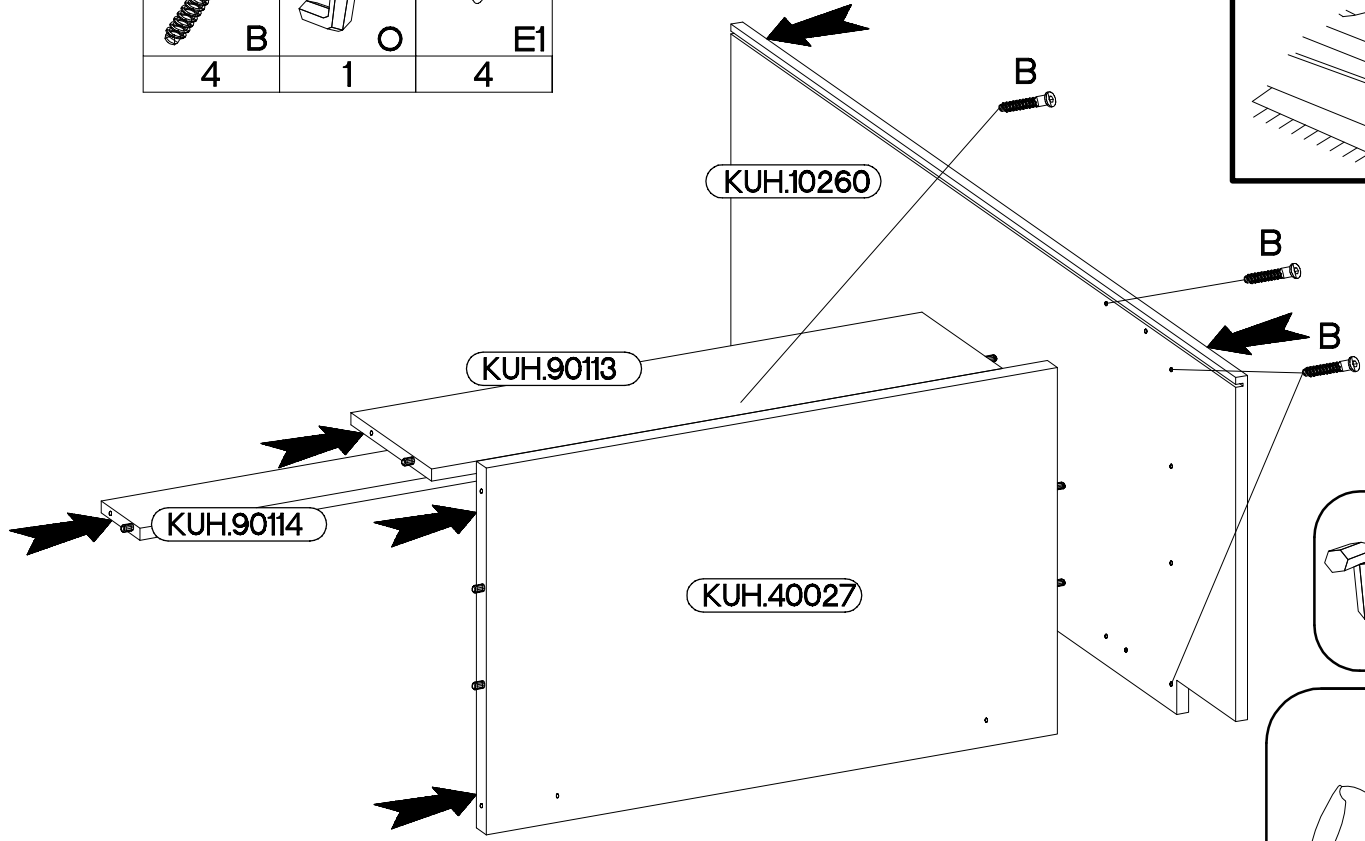
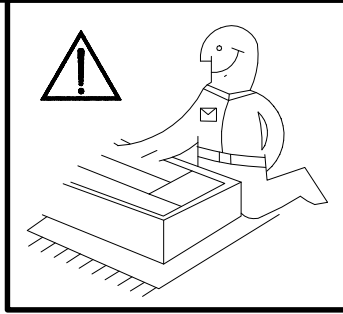
1

6.5x48x16  F2 4	+8x30mm  A 8
--	---


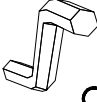



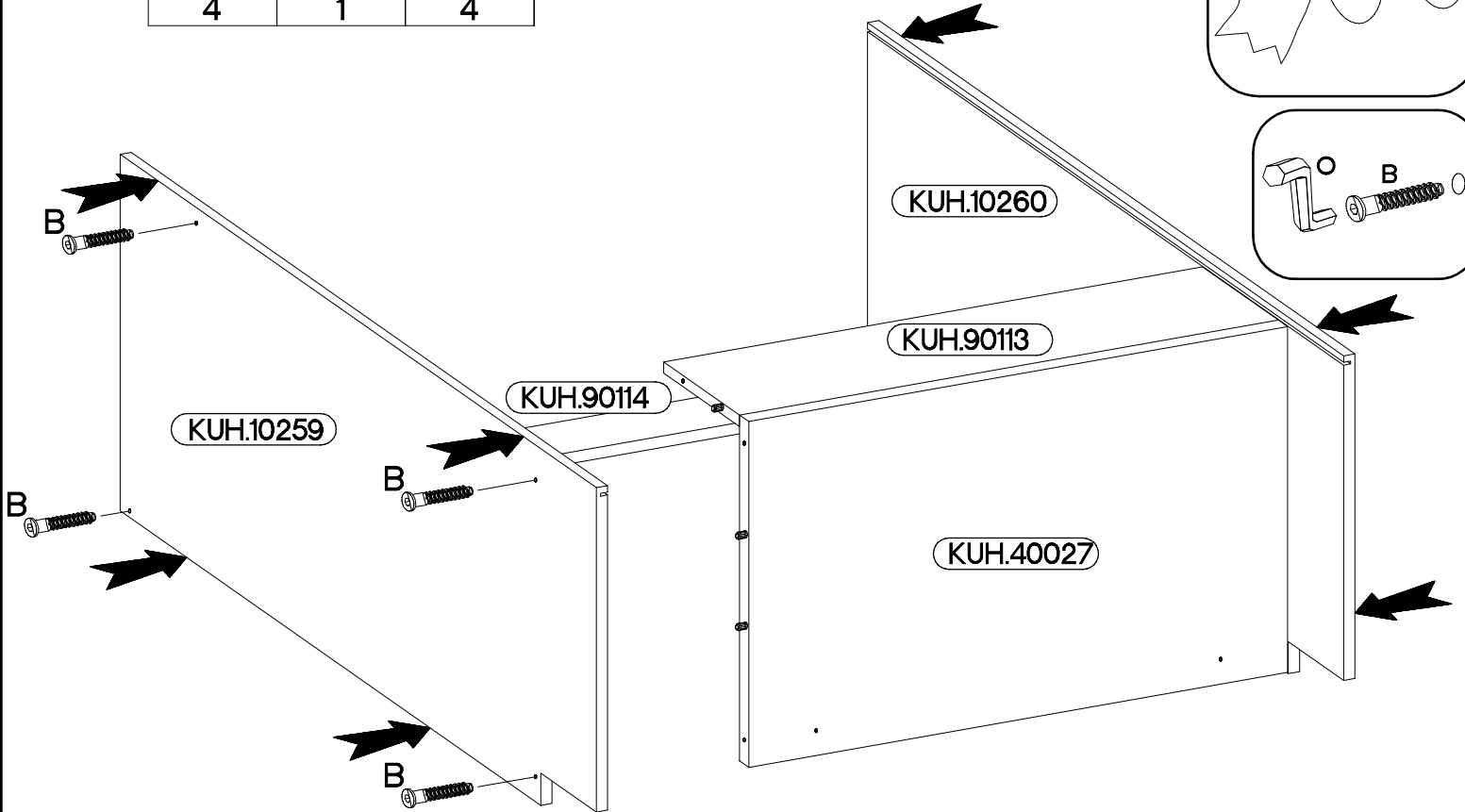
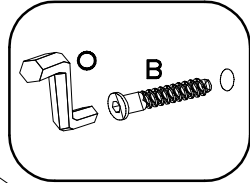
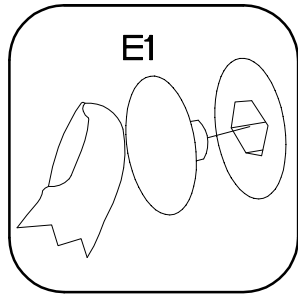
2

6,4 x 50mm		
		
B	O	E1
4	1	4



3

6,4 x 50mm		
		
B	O	E1
4	1	4



4

4.0x45mm



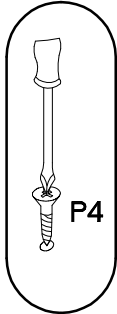
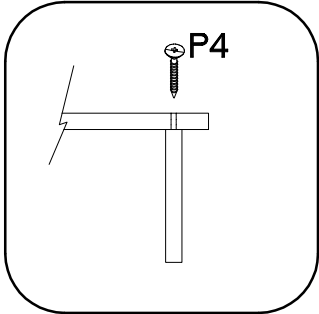
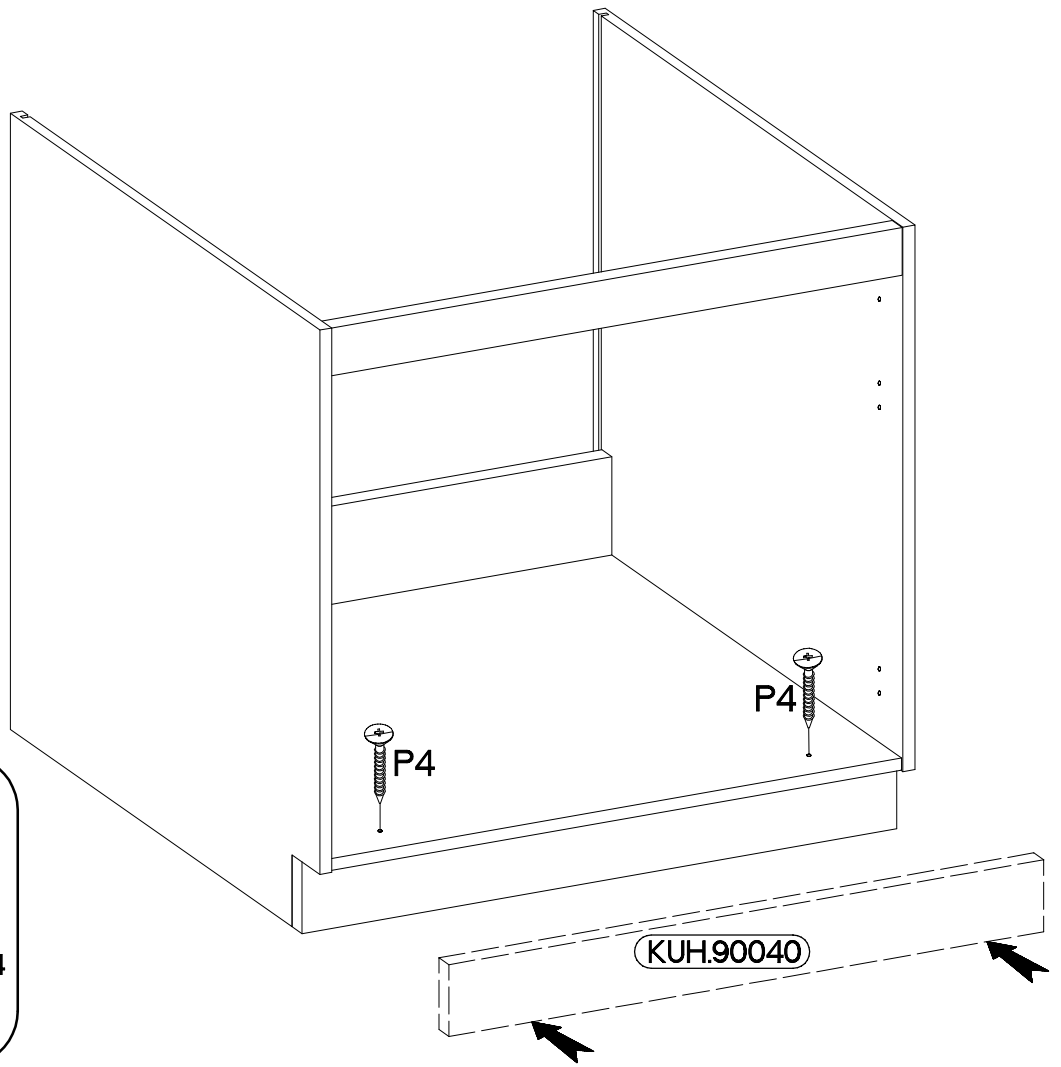
P4

2

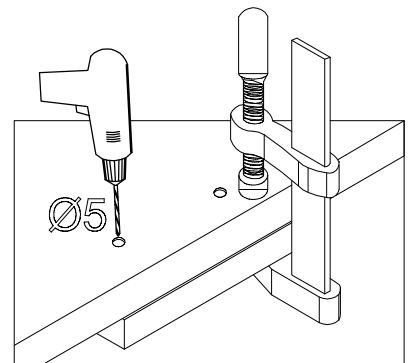
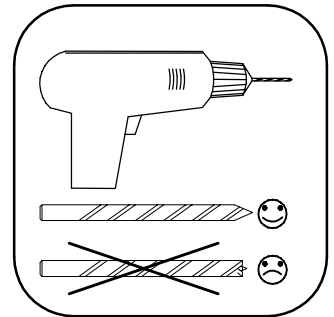
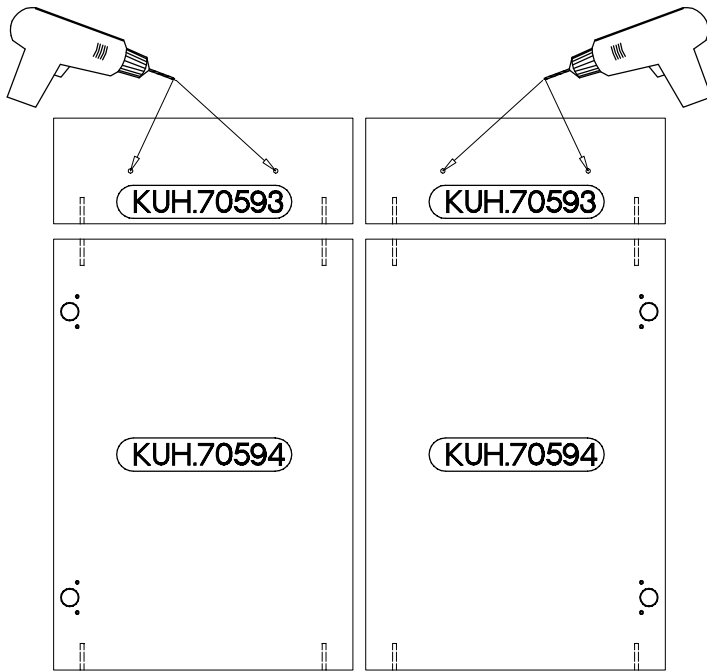


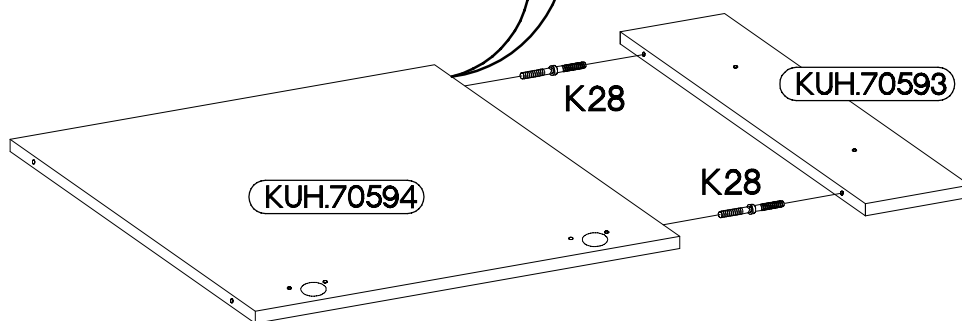
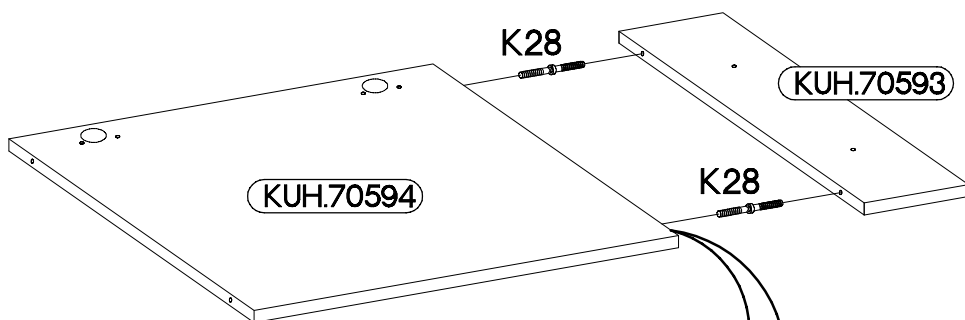
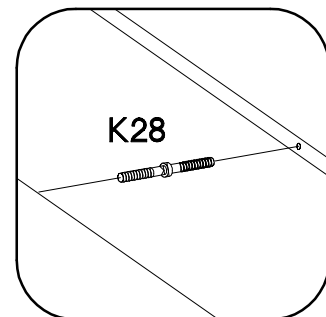
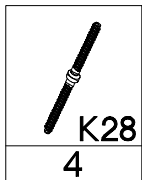
E9

2

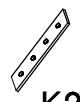


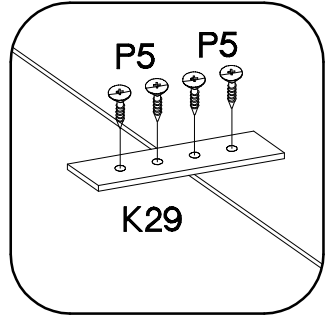
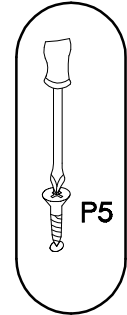
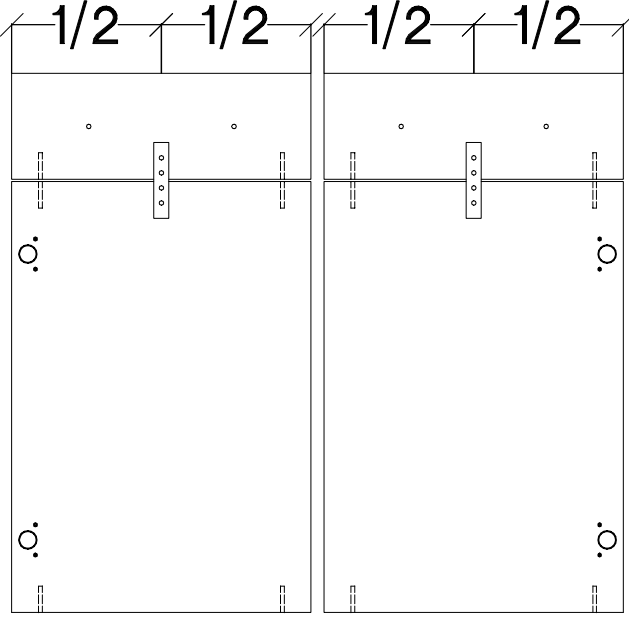
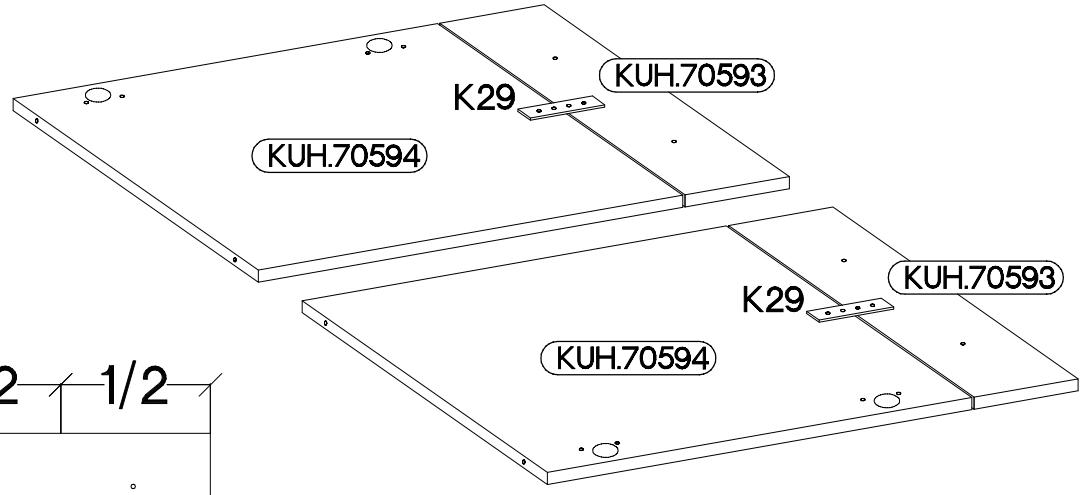
5



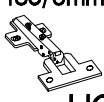



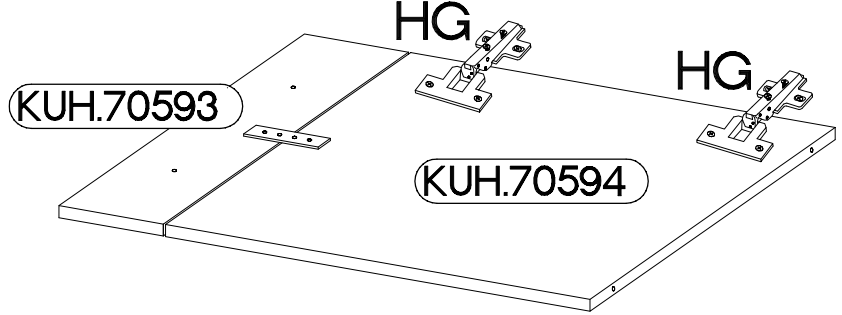
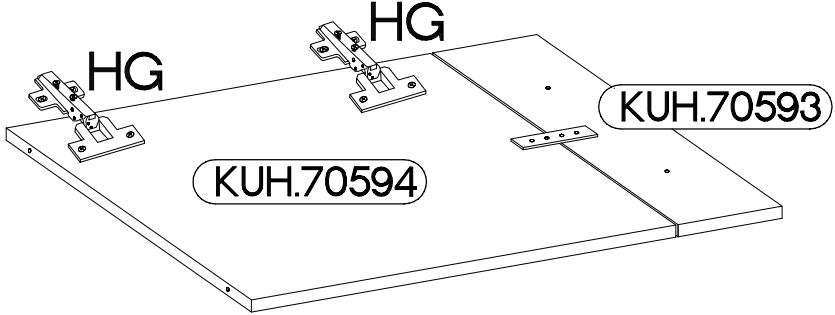
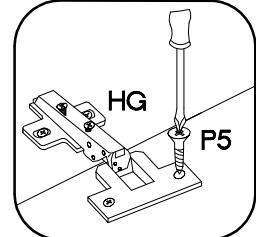
7

	±3.5x13mm
K29	P5
2	8



8

±35/0mm	±3.5x13mm
	
HG	P5
4	8



4x30mm



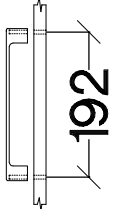
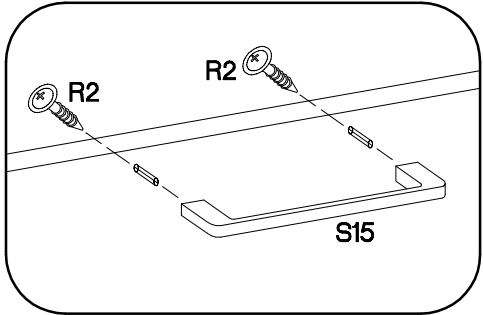
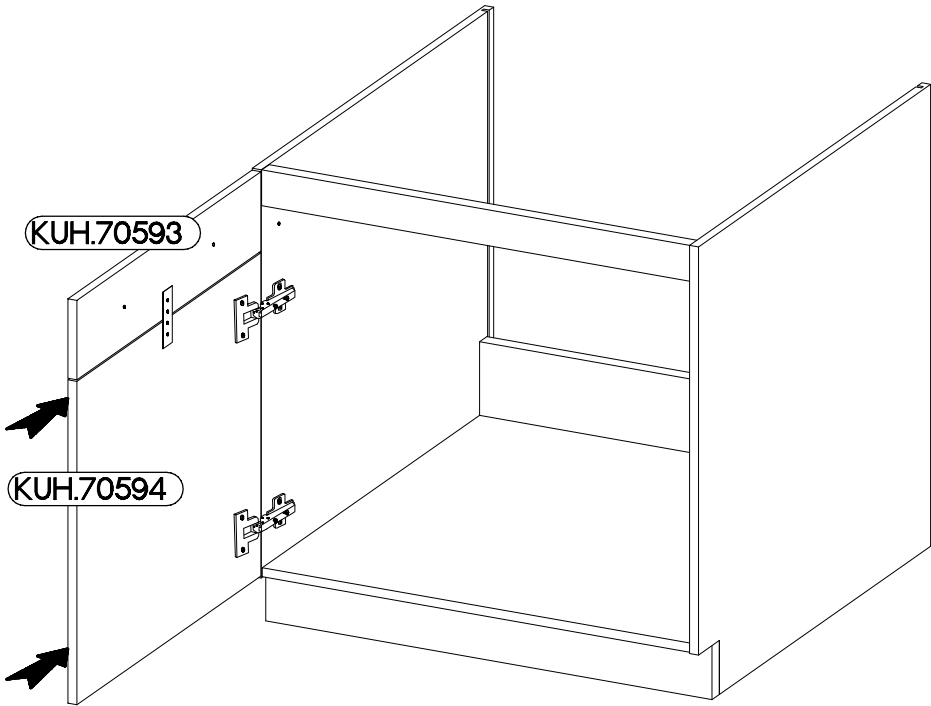
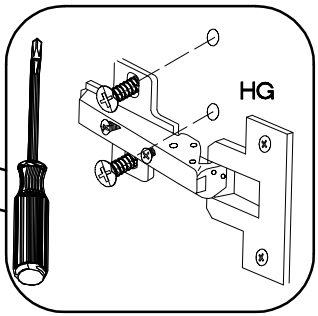
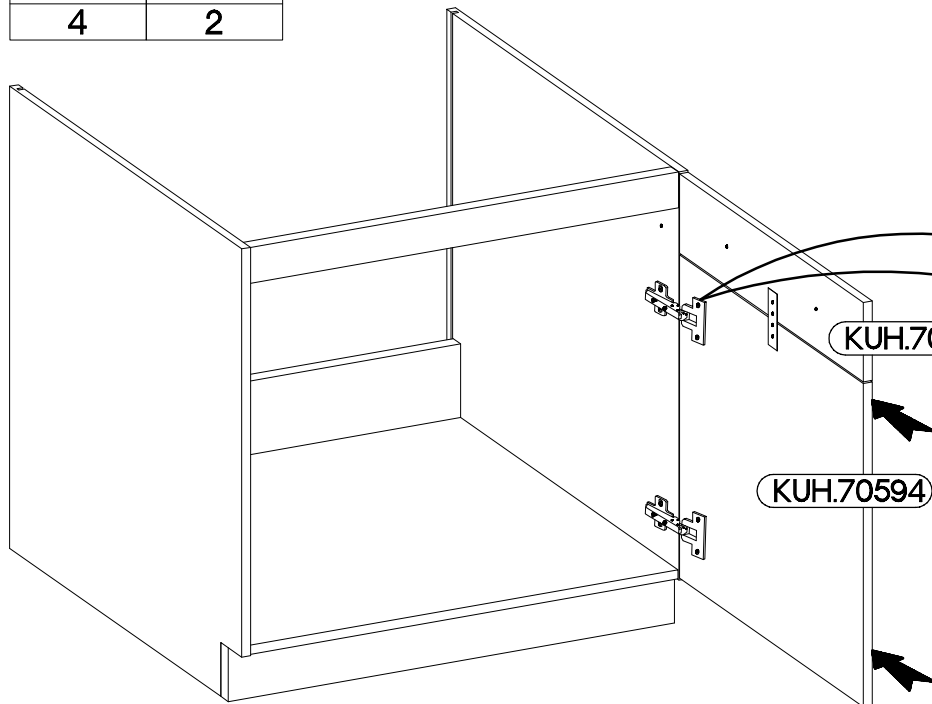
R2

4

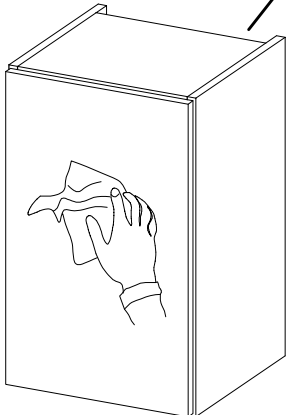
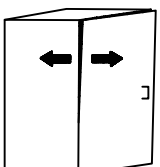
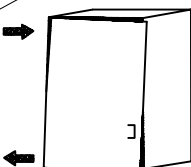
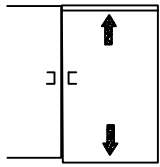
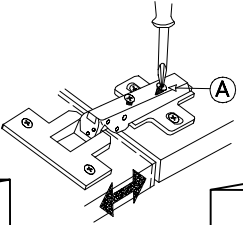
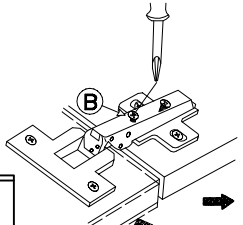
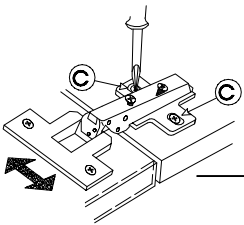
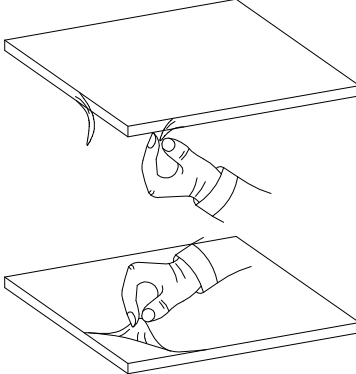


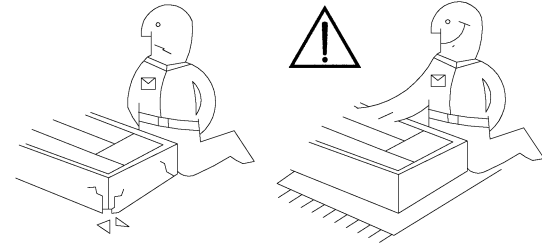
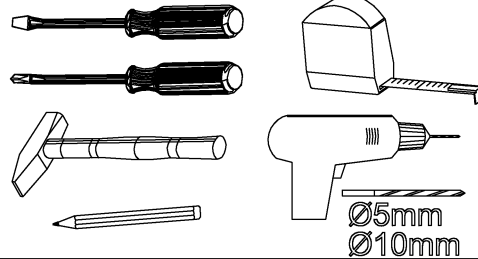
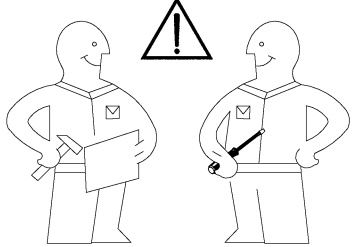
S15

2

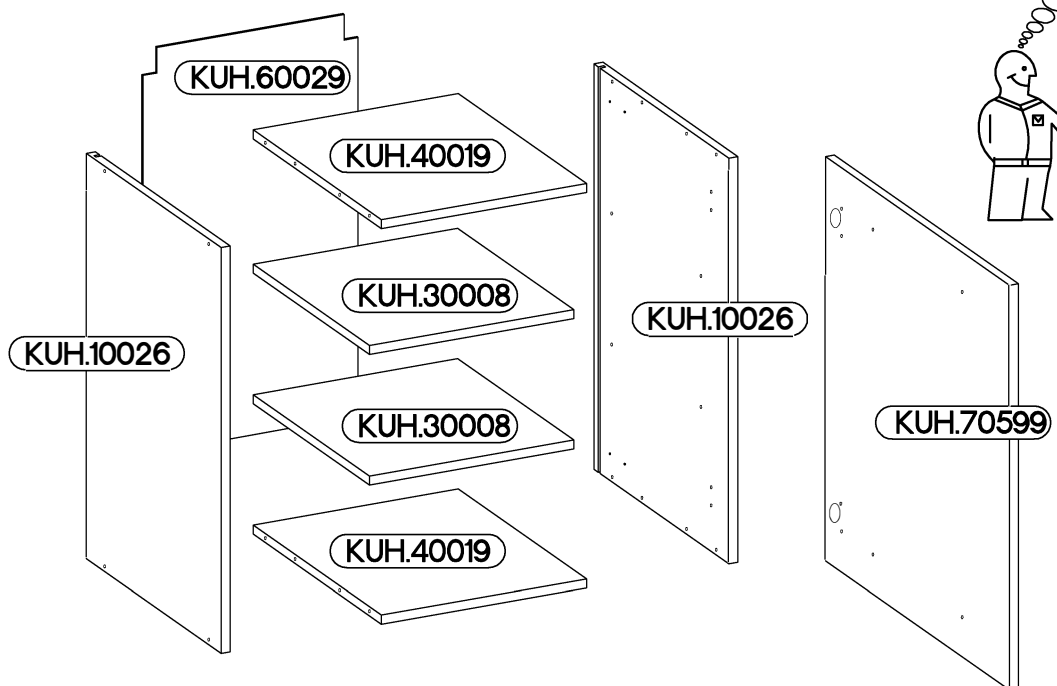
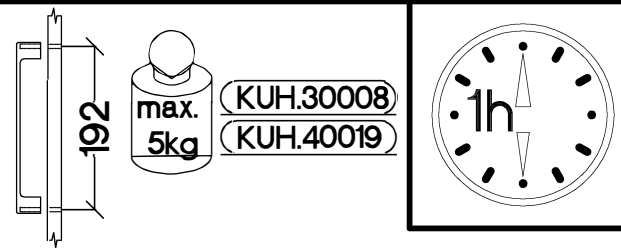
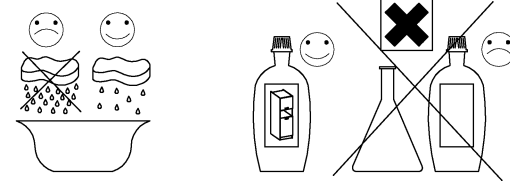
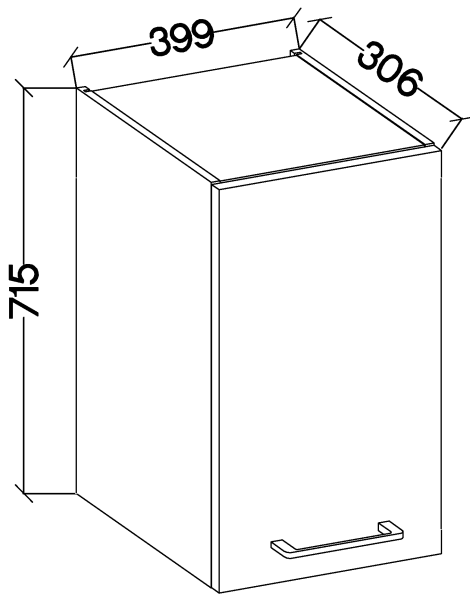


VARIANT HIGH GLOSS

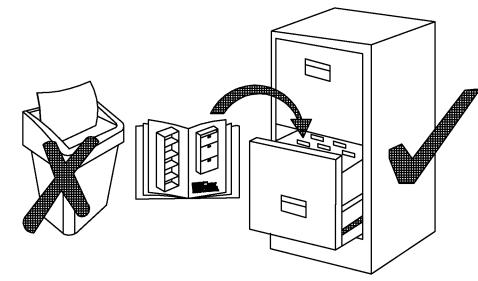




40 G-72 1F VIRION

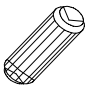
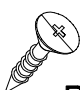
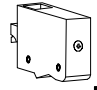


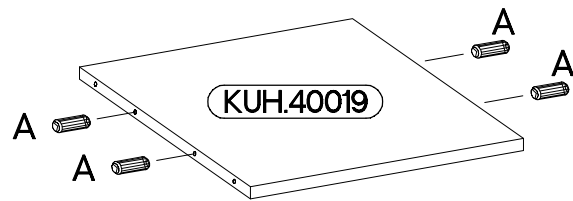
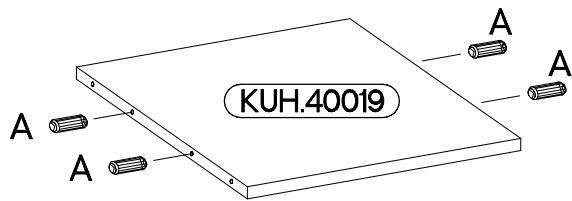
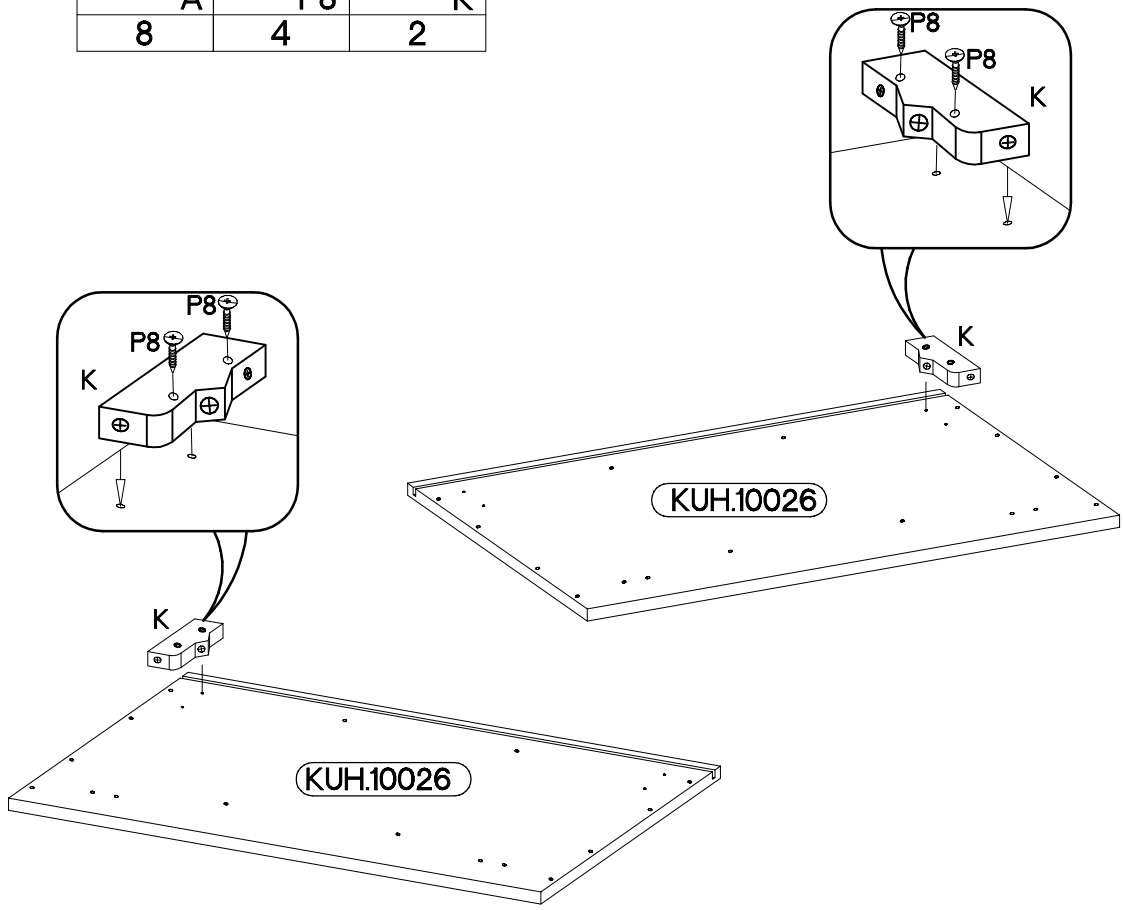
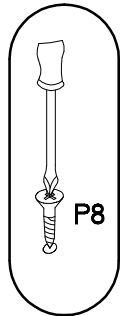
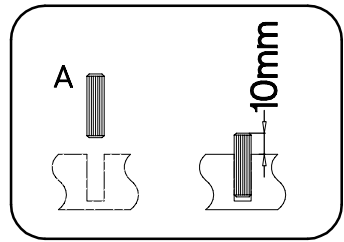
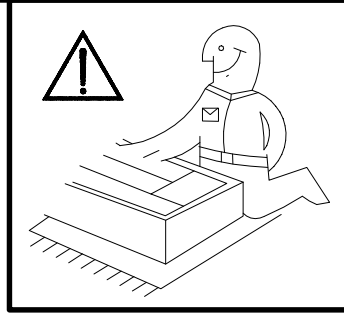
†8x30mm A	6,4 x 50mm B	 E1	†35/0mm HG	†5/19mm J	 K
8	8	8	2	8	2
 O	†3.5x13mm P5	†3.0x20mm P7	†4.0x30mm P8	†4.0x30mm R2	 S15
1	4	8-10	4	2	1



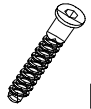
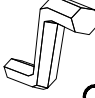

ISM-KUH-00998

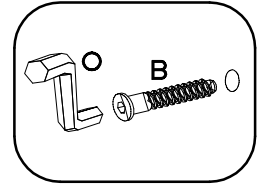
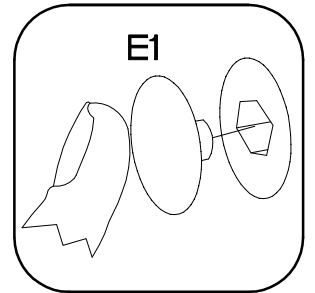
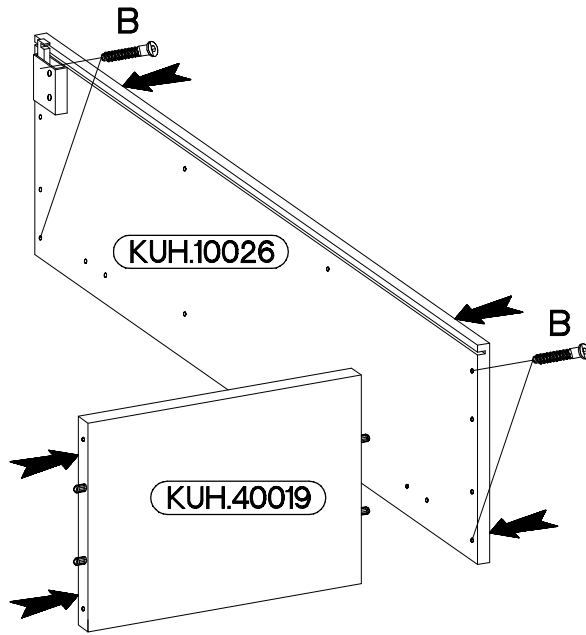
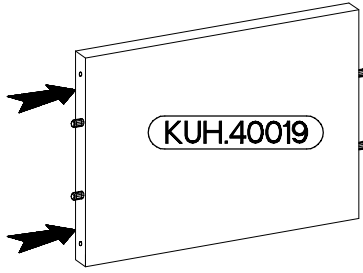
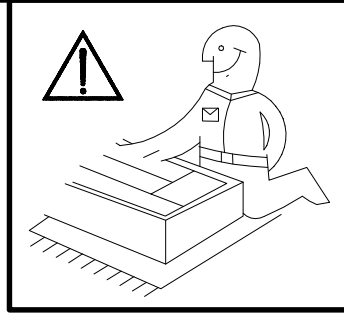
1

$\pm 8 \times 30 \text{mm}$  A 8	$\pm 4.0 \times 30 \text{mm}$  P8 4	 K 2
---	--	--


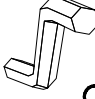



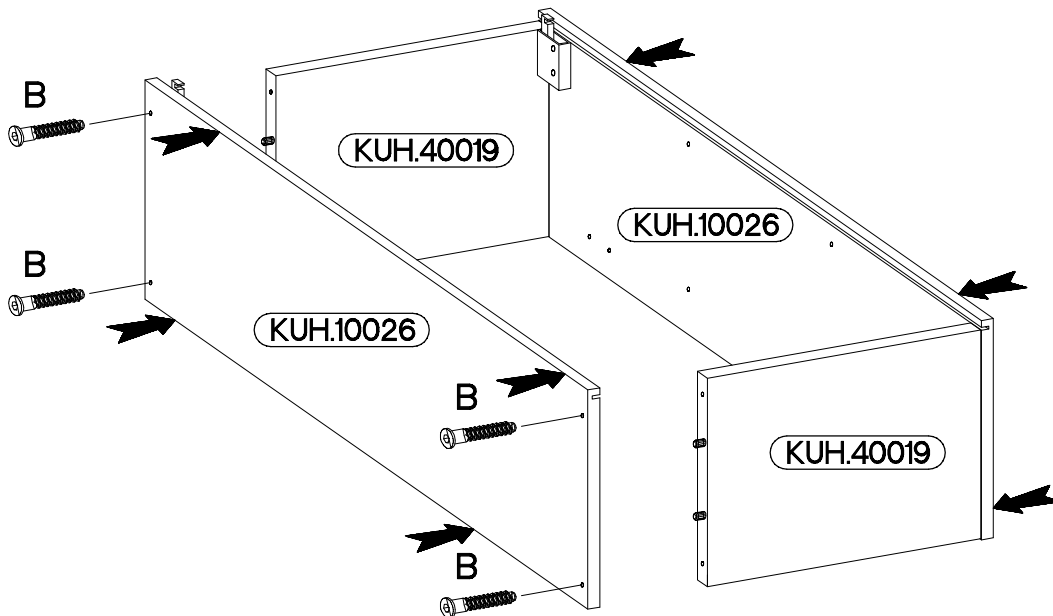
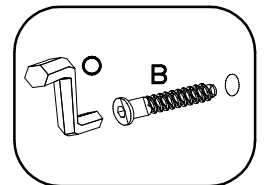
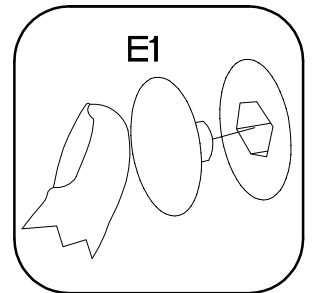
2

6,4 x 50mm		
		
B	O	E1
4	1	4

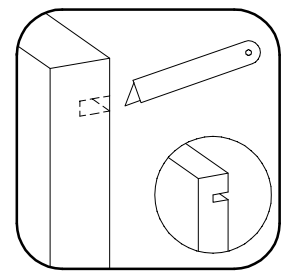
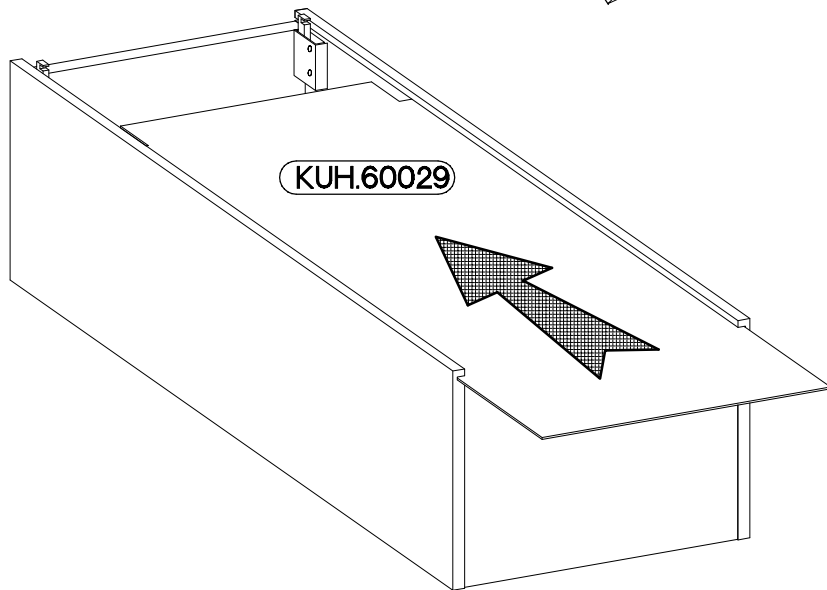
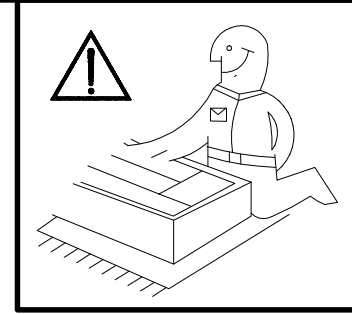
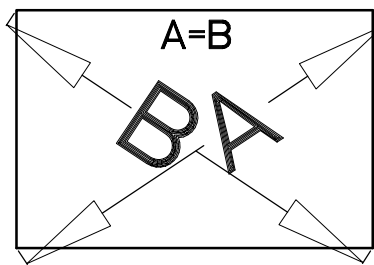


3

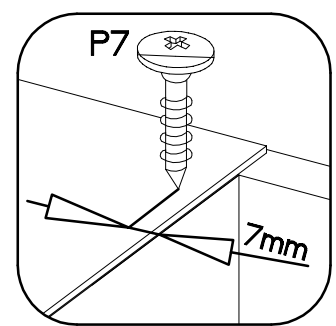
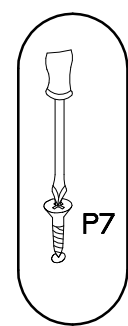
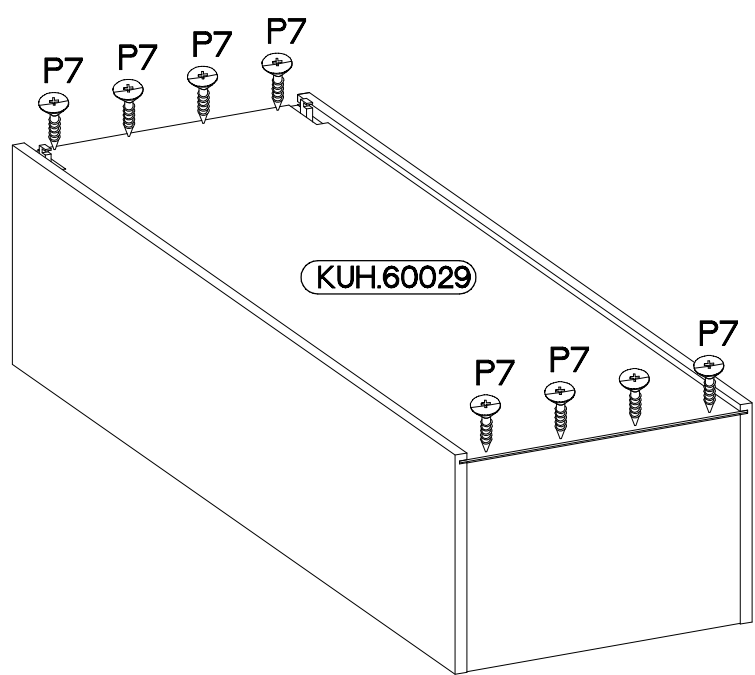
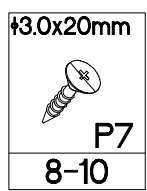
6,4 x 50mm		
		
B	O	E1
4	1	4



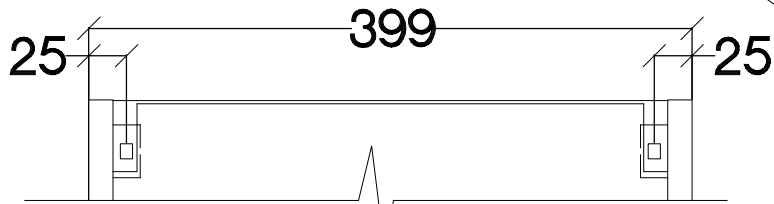
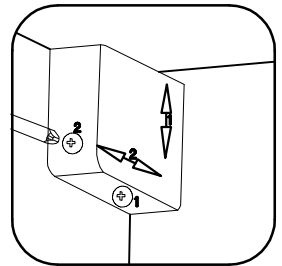
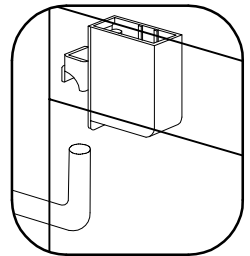
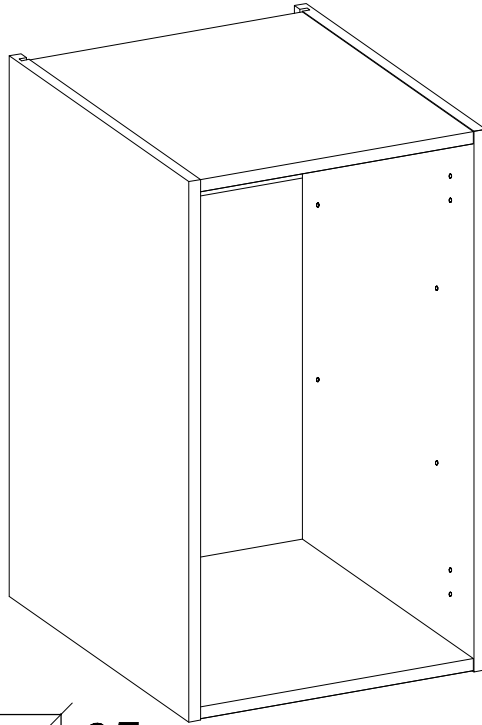
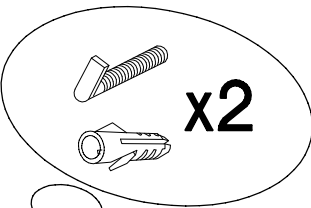
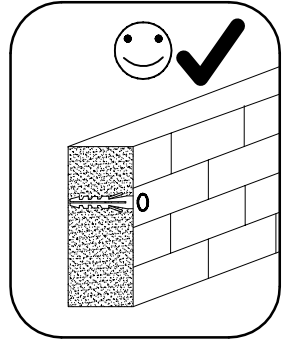
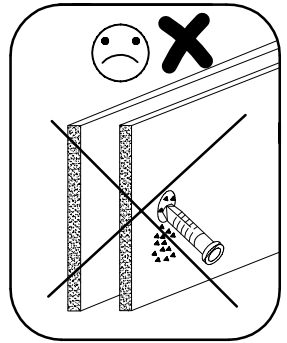
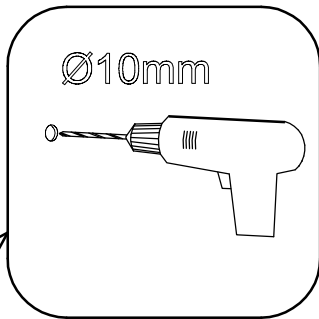
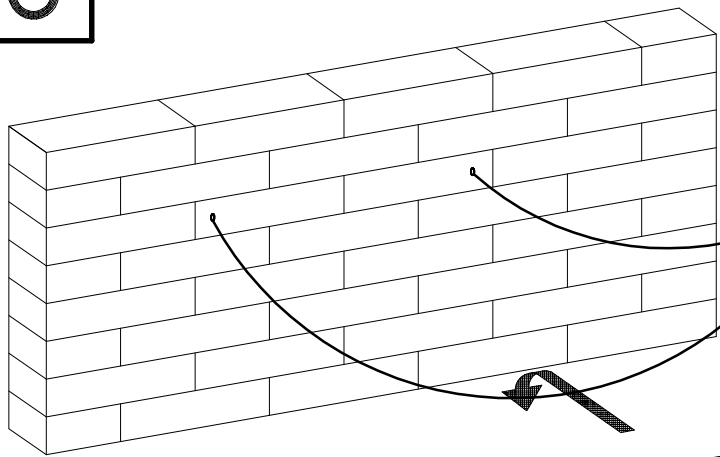
4



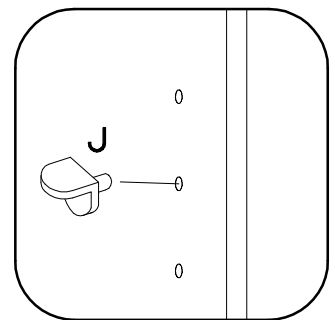
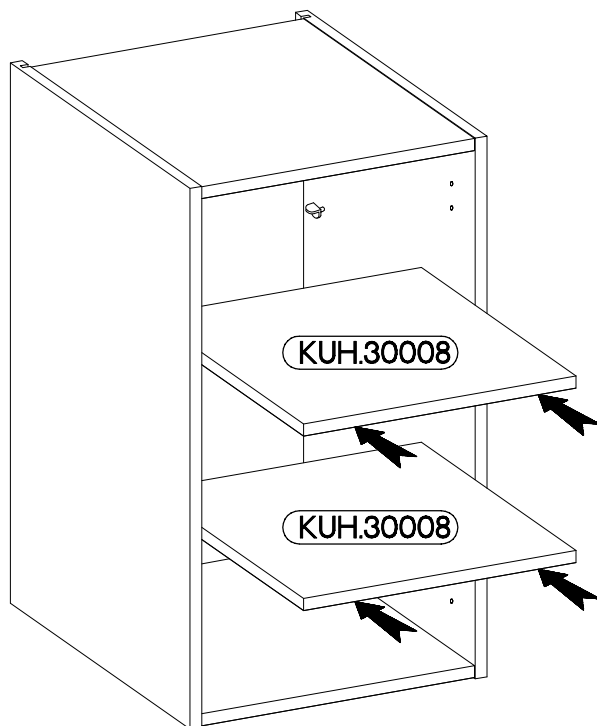
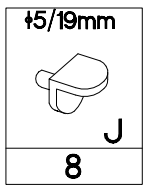
5



6



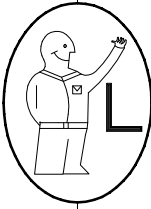
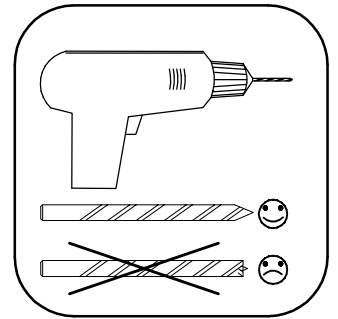
7



8

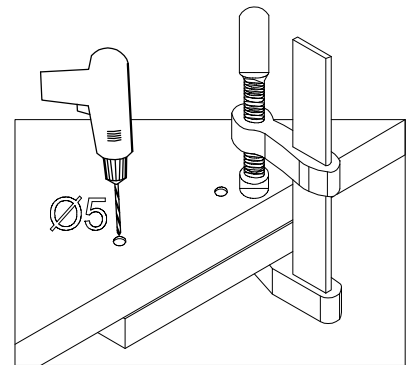
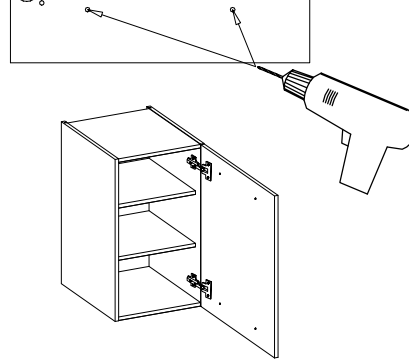
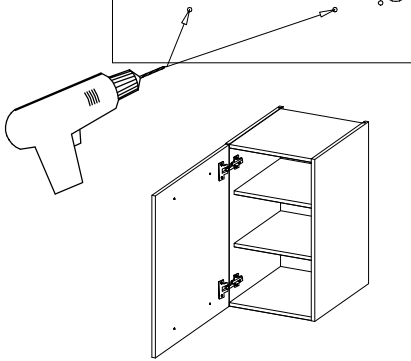
LEFT

RIGHT



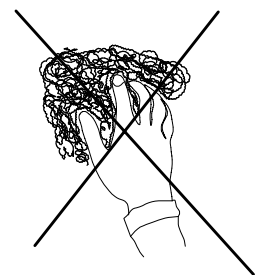
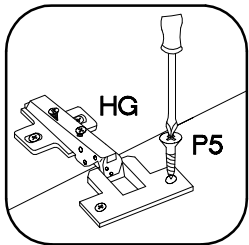
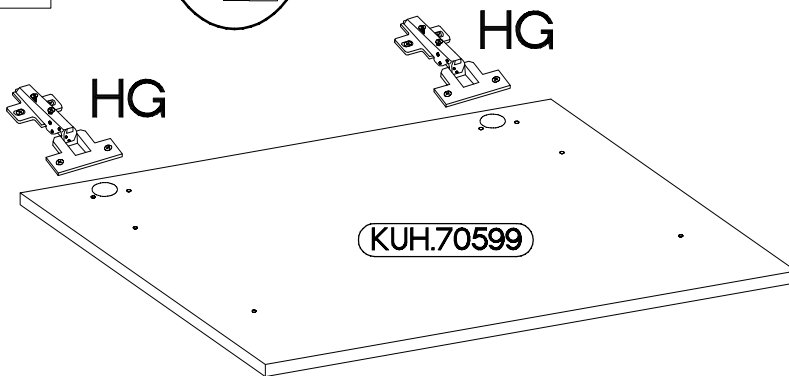
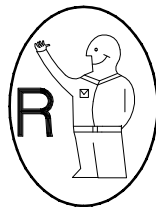
KUH.70599

KUH.70599

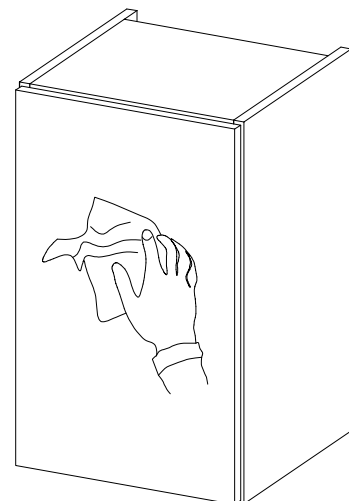
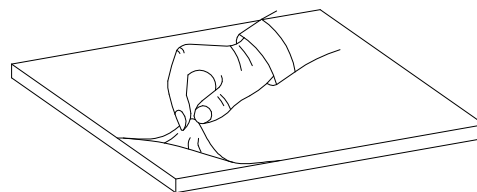
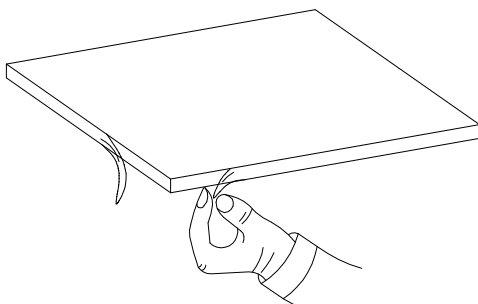




9

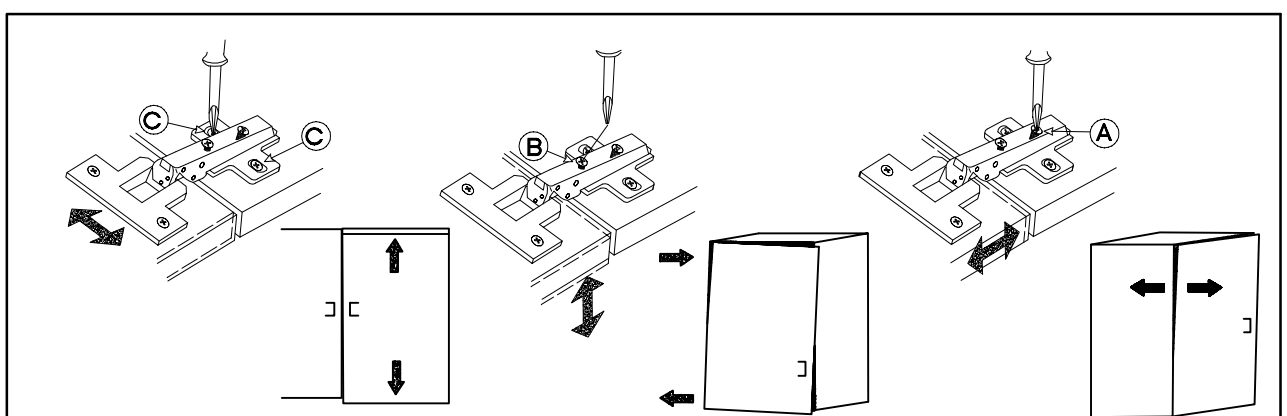
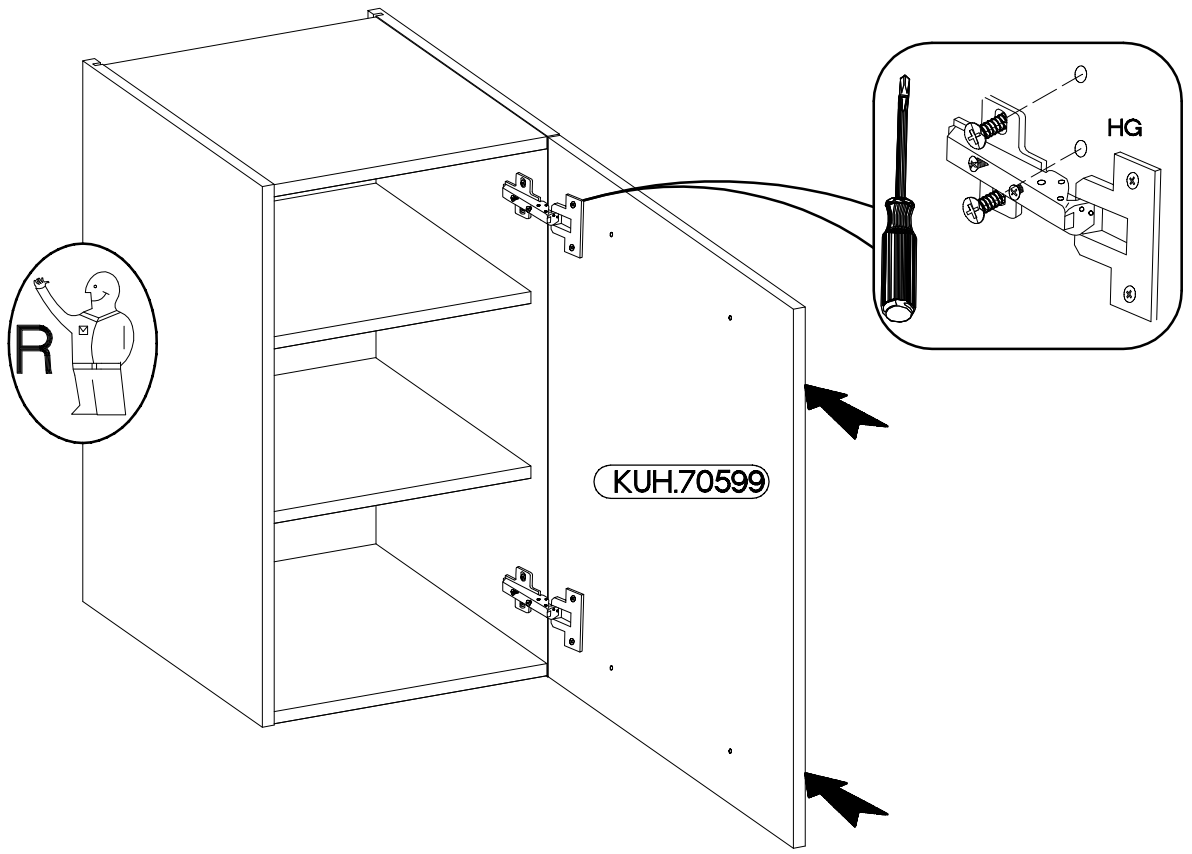
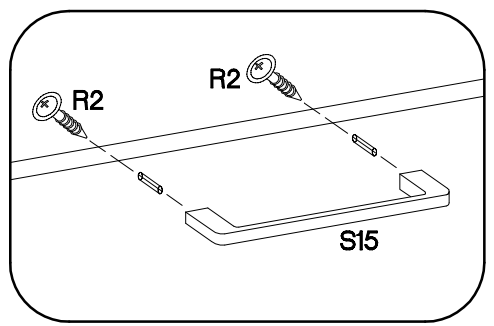
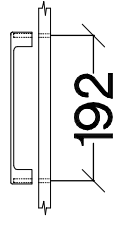
±35/0mm	±3.5x13mm
HG	P5
2	4

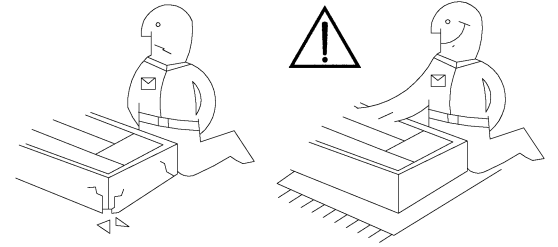
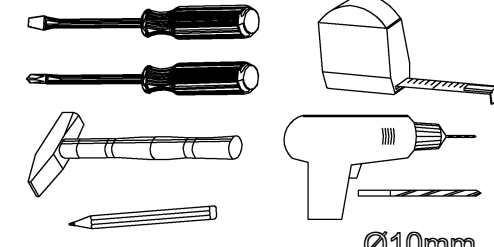
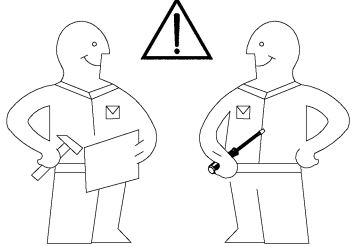


VARIANT HIGH GLOSS

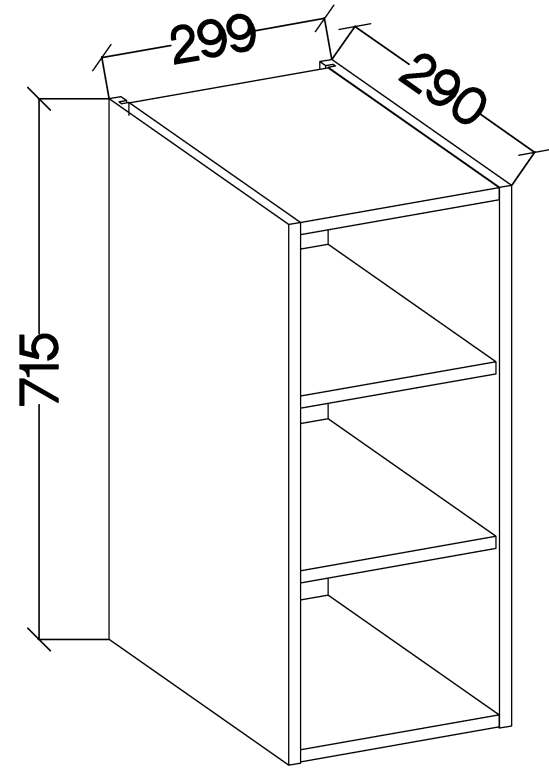


4.0x30mm		
	R2	S15
	2	1

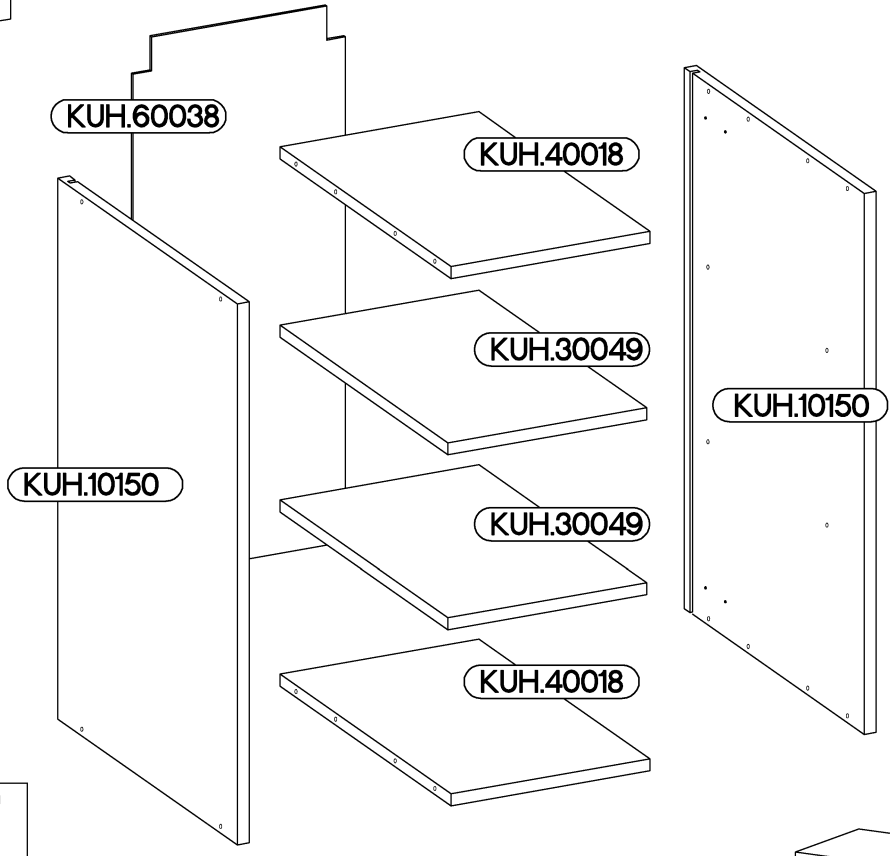
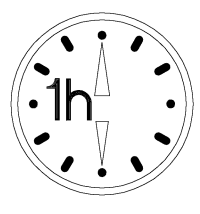




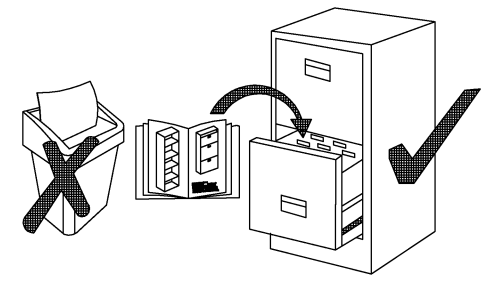
30 G-72 OTW VIRION



max. 5kg
 KUH.30049
 KUH.40018

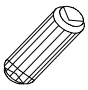

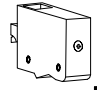


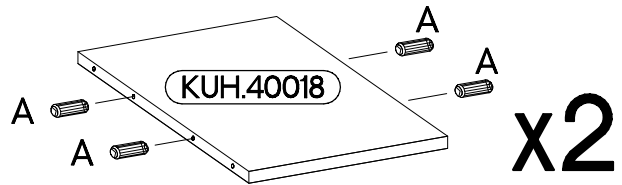
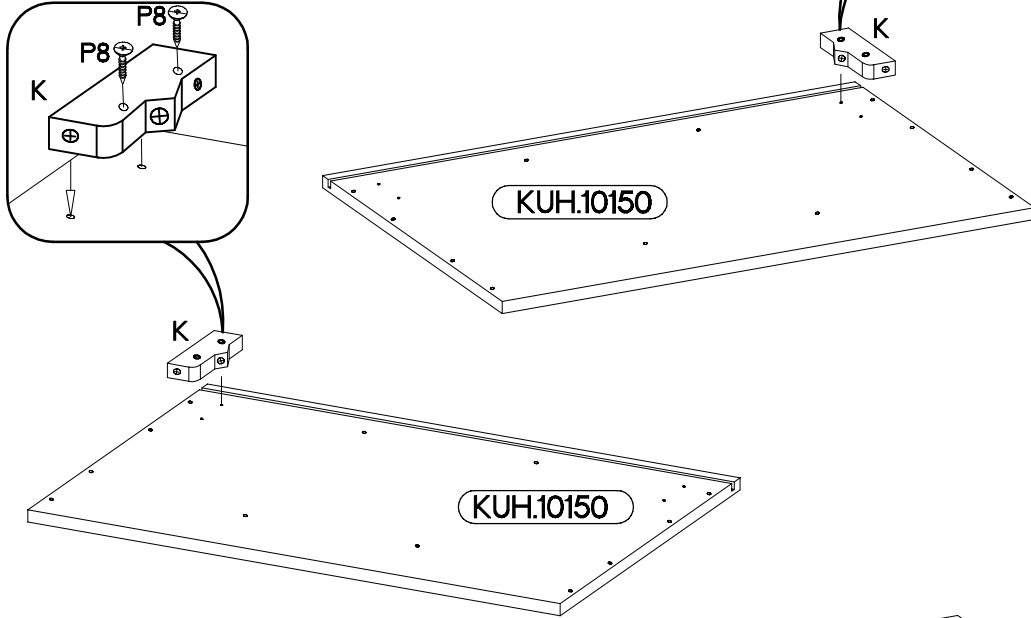
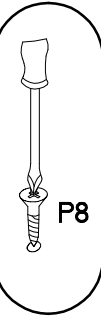
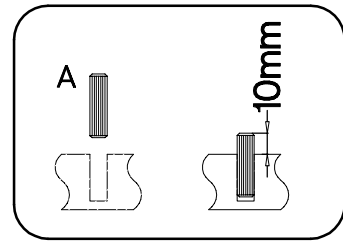
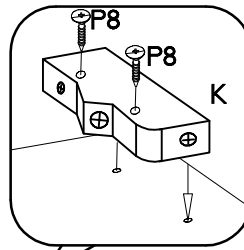
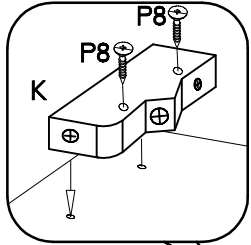
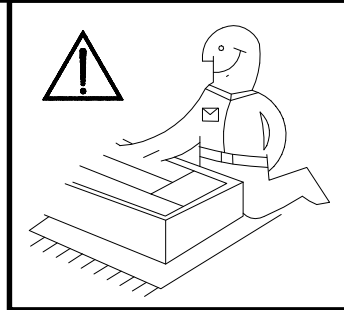
 †8x30mm A 8	 6,4 x 50mm B 8	 E1 8	 J 8
 K 2	 O 1	 †3.0x20mm P7 6	 †4.0x30mm P8 4




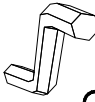

ISM-KUH-01000

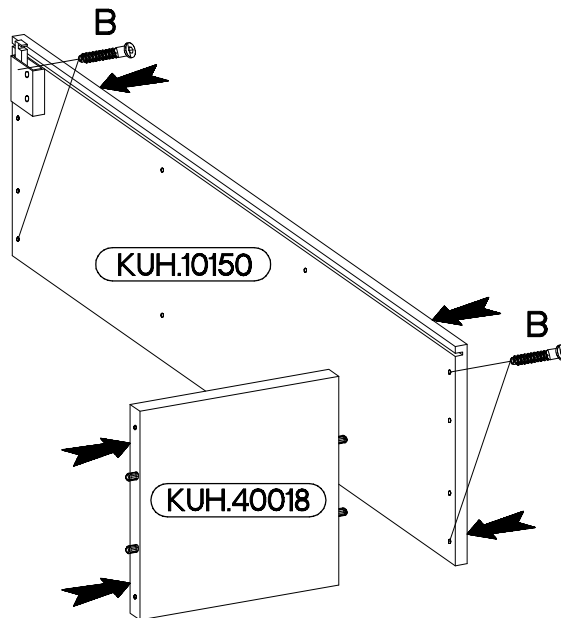
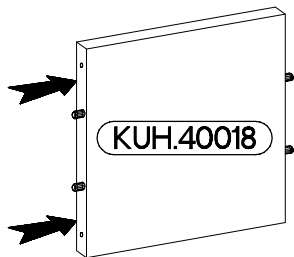
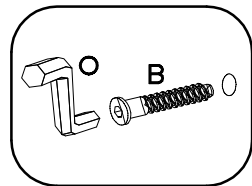
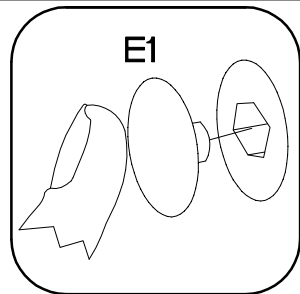
1

†8x30mm  A	†4.0x30mm  P8	 K
8	4	2



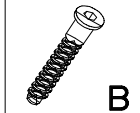
2

6,4 x 50mm  B	 O	 E1
4	1	4



3

6,4 x 50mm



B

4



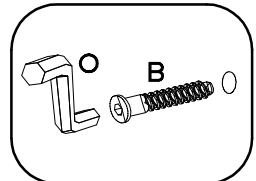
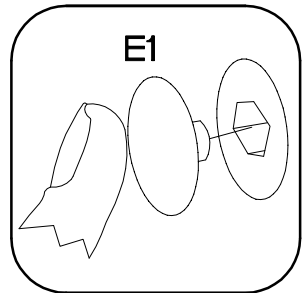
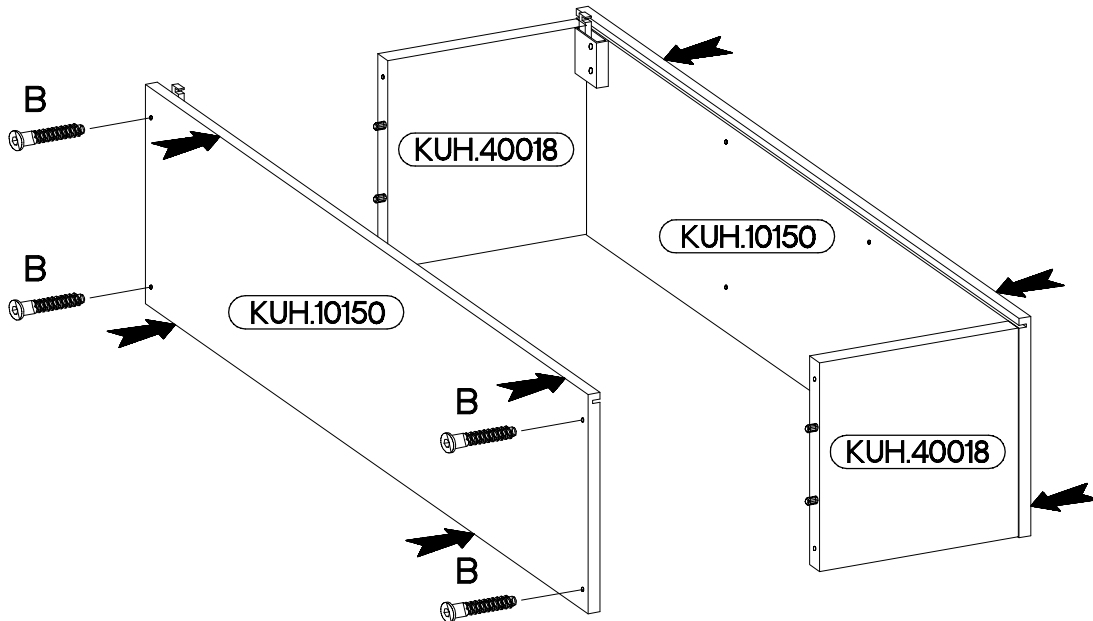
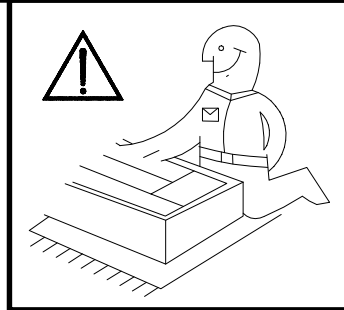
O

1



E1

4



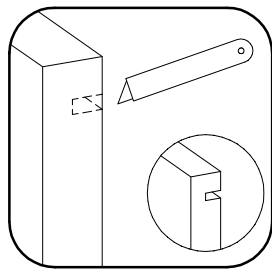
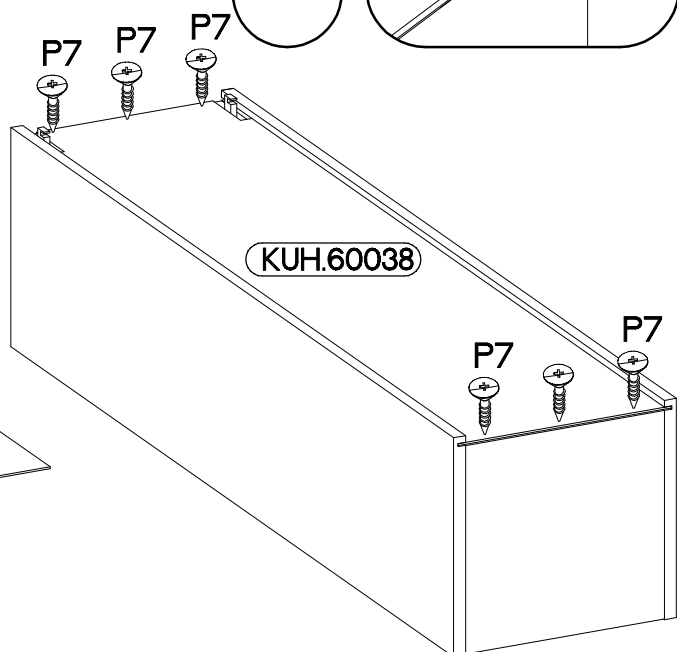
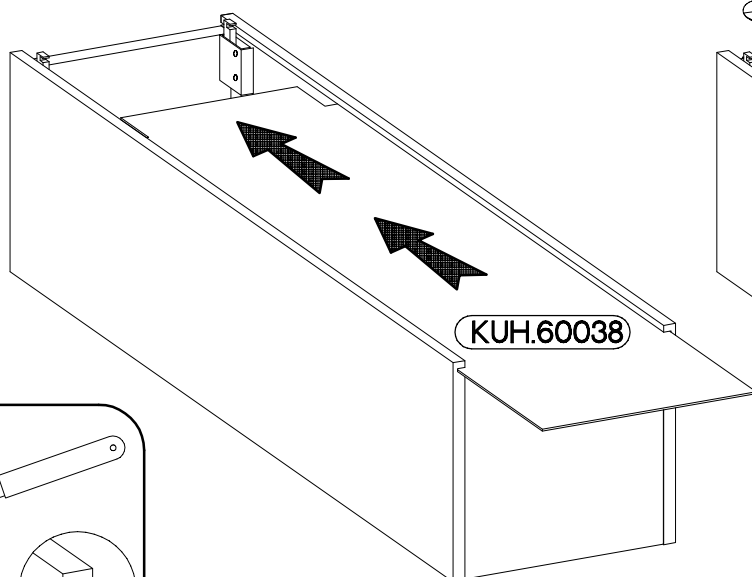
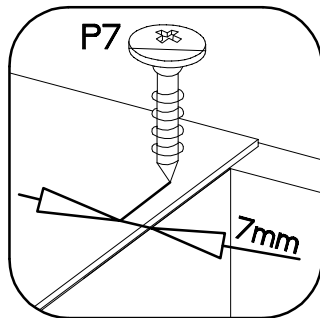
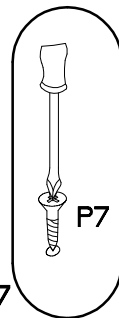
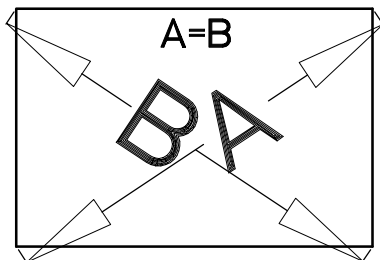
4

3.0x20mm

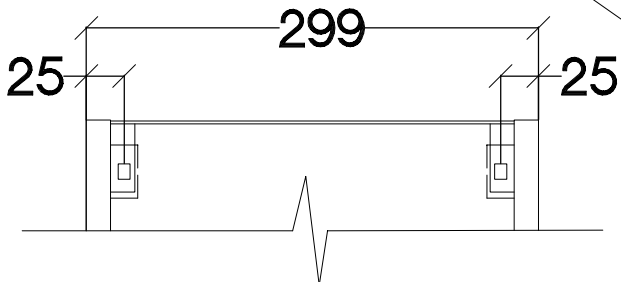
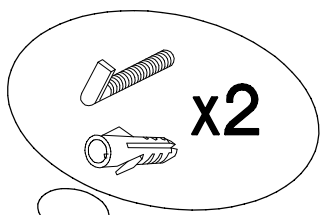
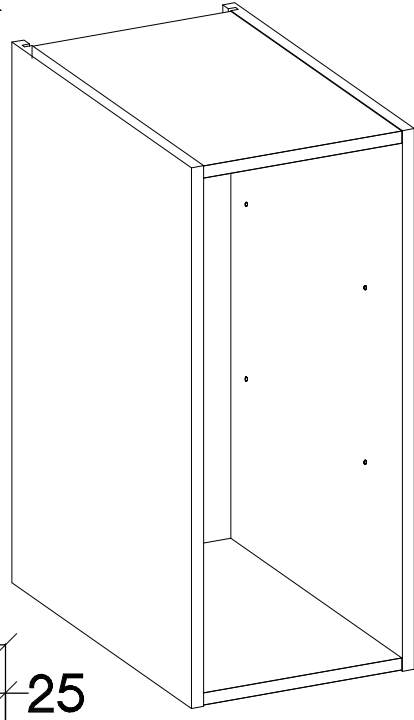
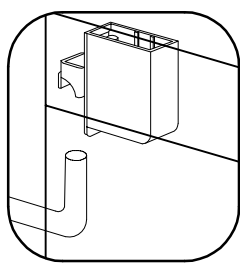
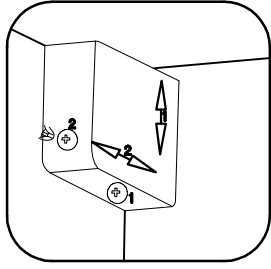
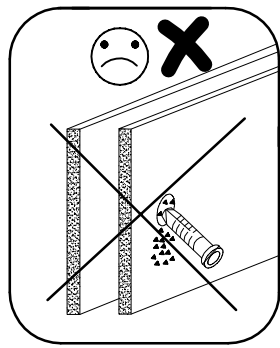
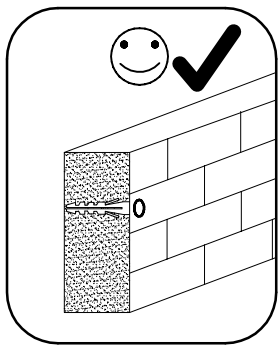
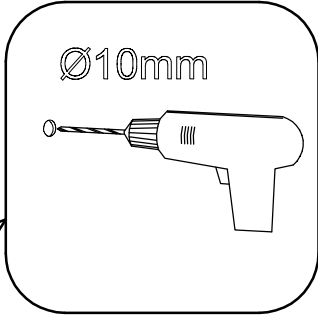
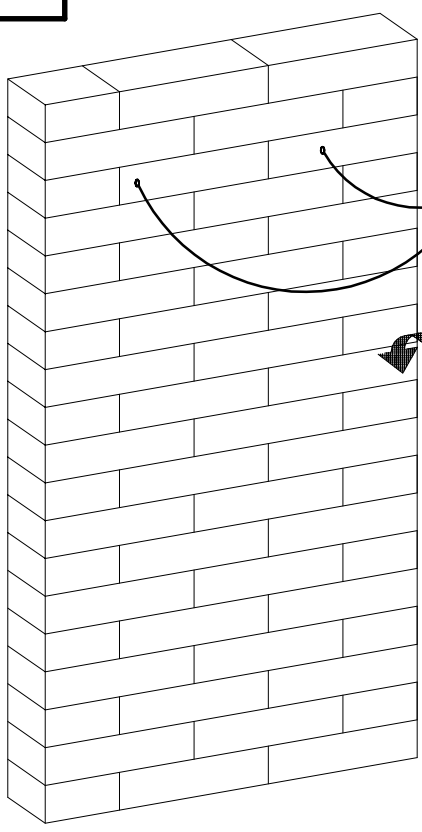


P7

6



5



6

