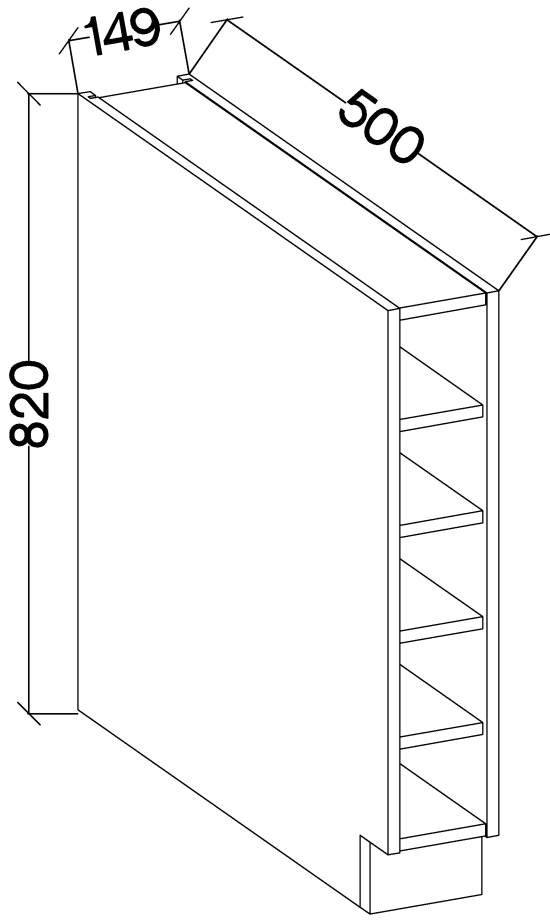
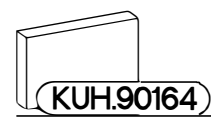
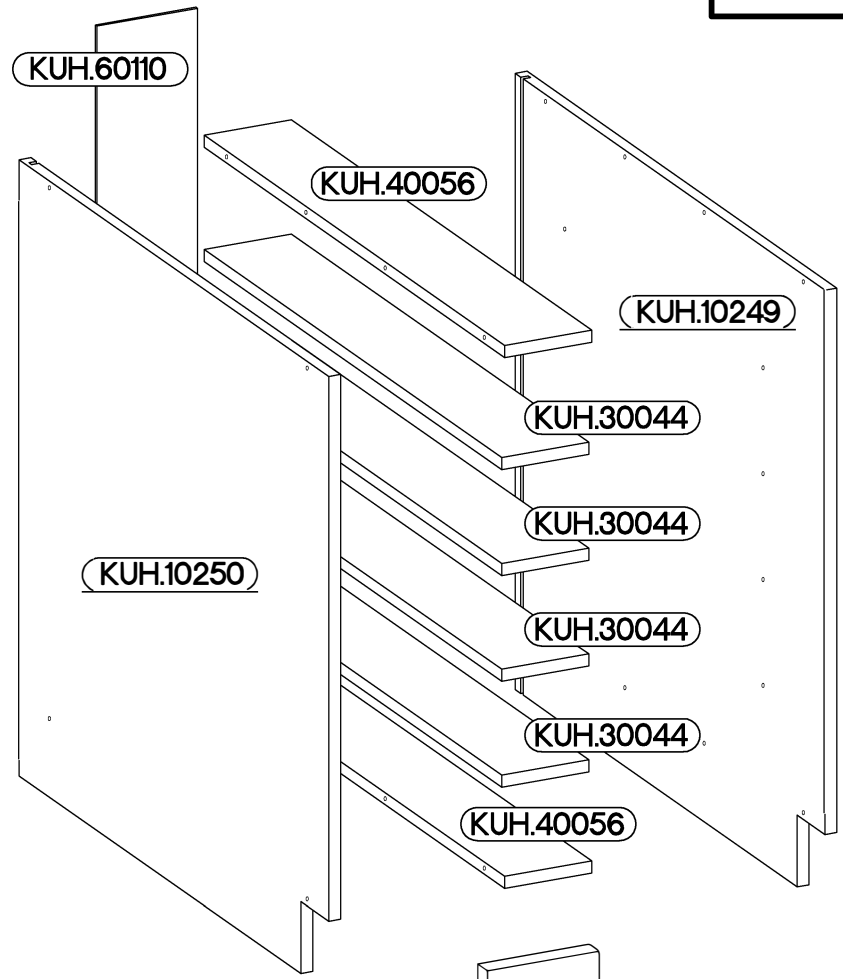
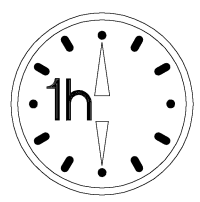


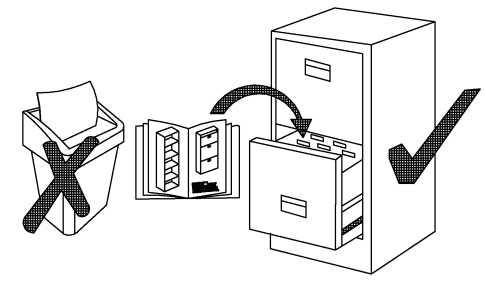
15 D OTW BB VIRION



KUH.30044  
KUH.40056

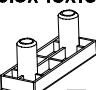
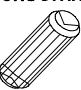


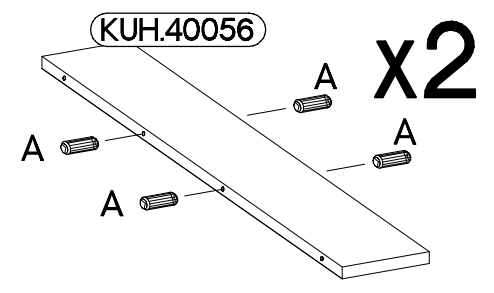
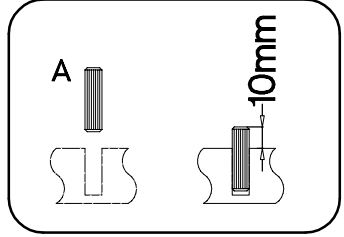
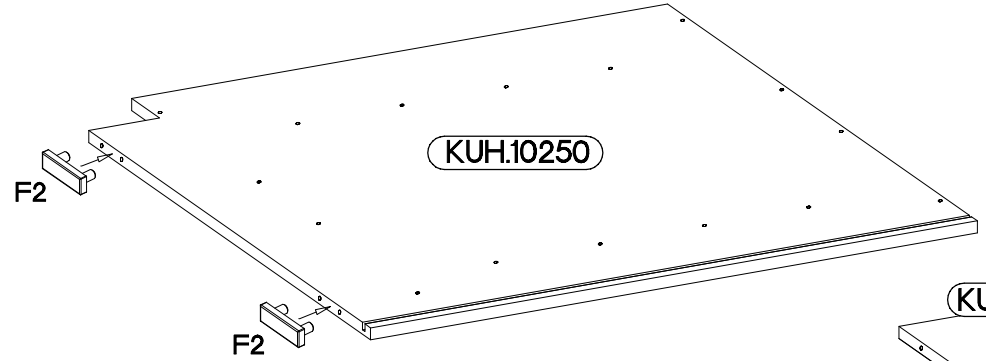
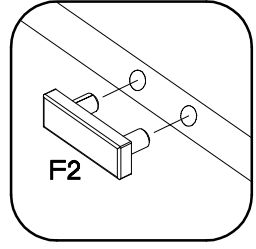
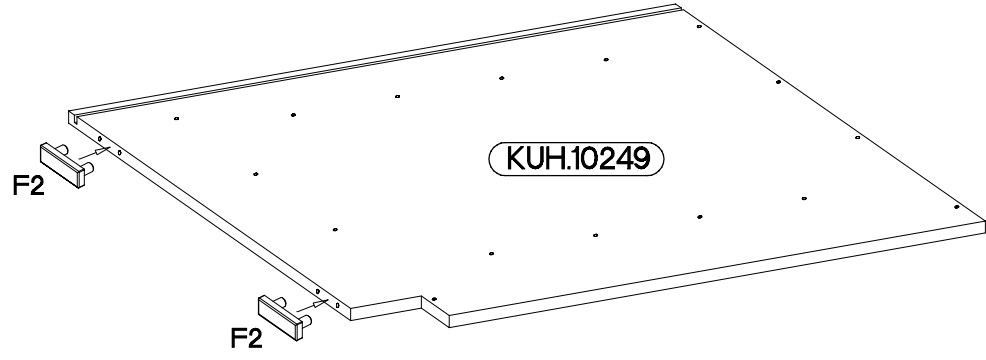
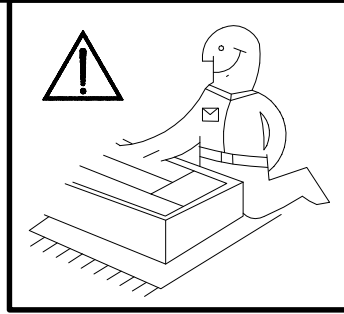
 <b>A</b> 8	 <b>B</b> 8	 <b>E1</b> 8	 <b>F2</b> 4	 <b>J3</b> 16
 <b>O</b> 1	 <b>P1</b> 2	 <b>P7</b> 4	 <b>T3</b> 1	




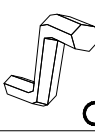

ISM-KUH-00987

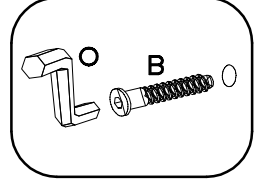
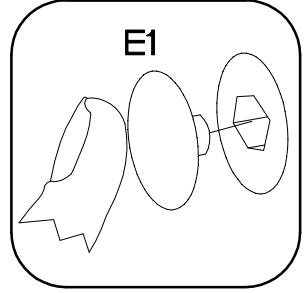
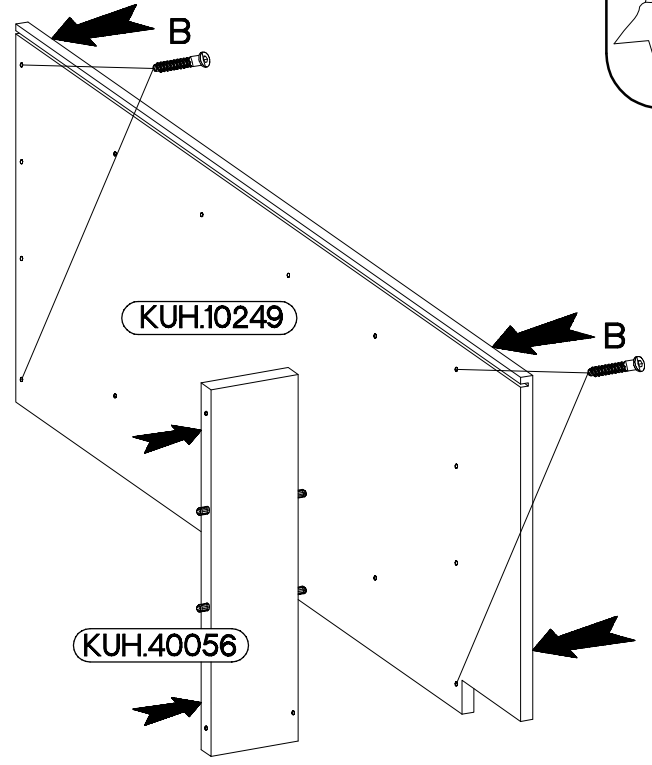
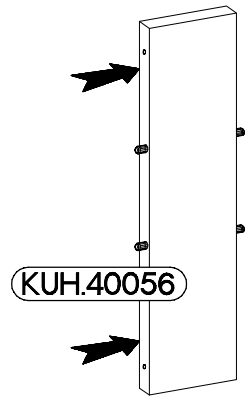
1

6.5x48x16	+8x30mm
	
F2	A
4	8


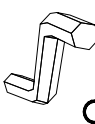



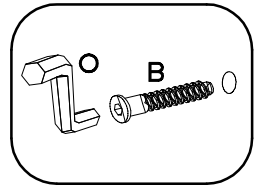
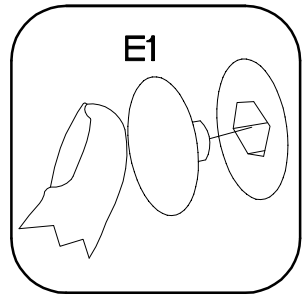
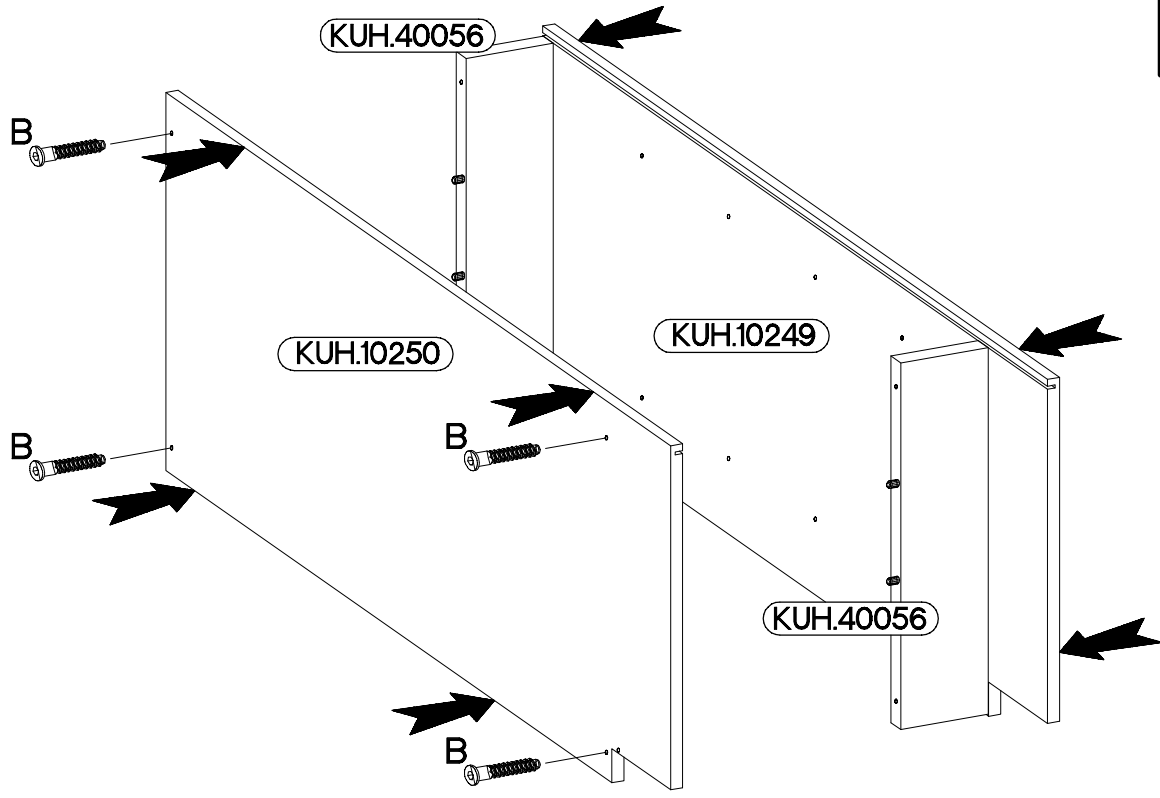
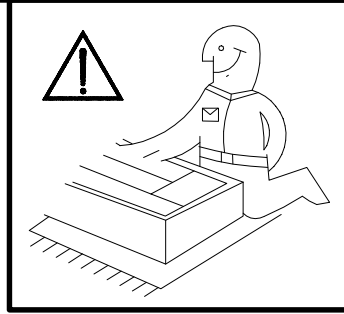
2

6,4 x 50mm			
B	O	E1	
4	1	4	




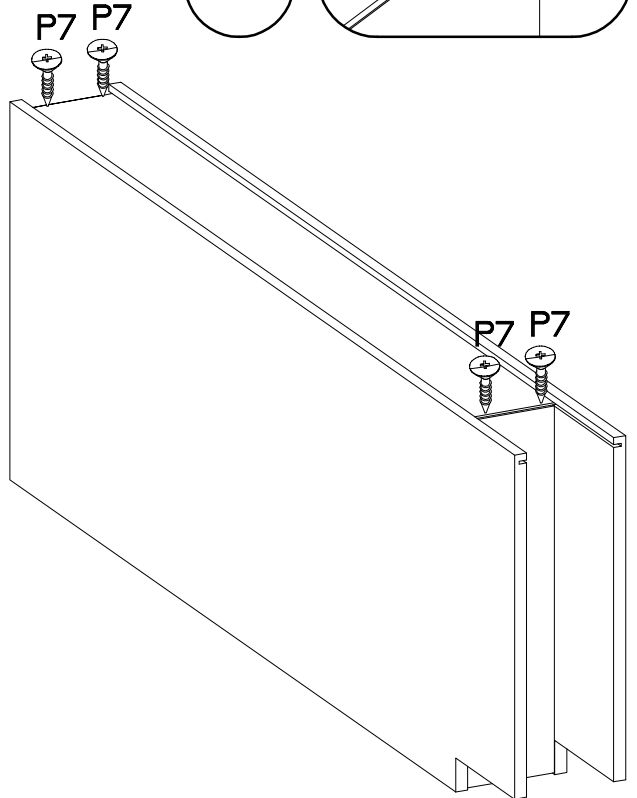
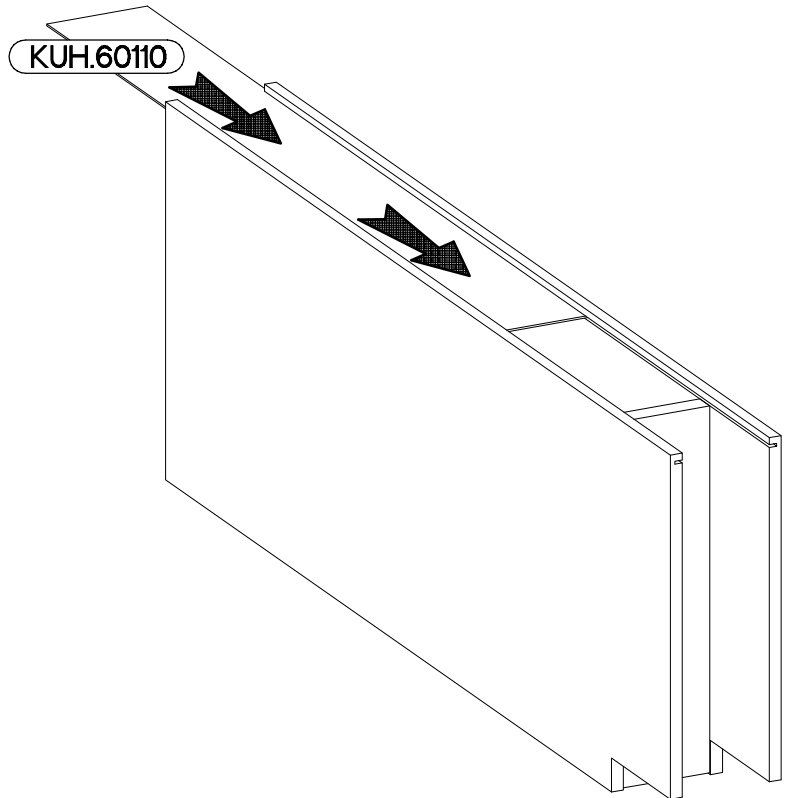
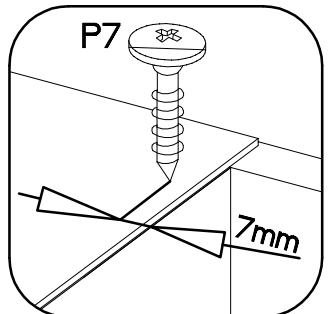
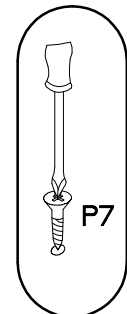
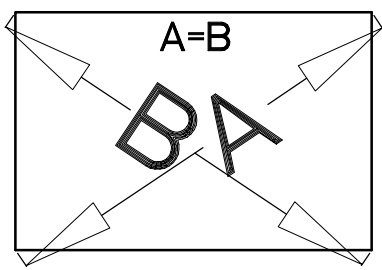
3

6,4 x 50mm			
	B	O	E1
	4	1	4

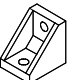


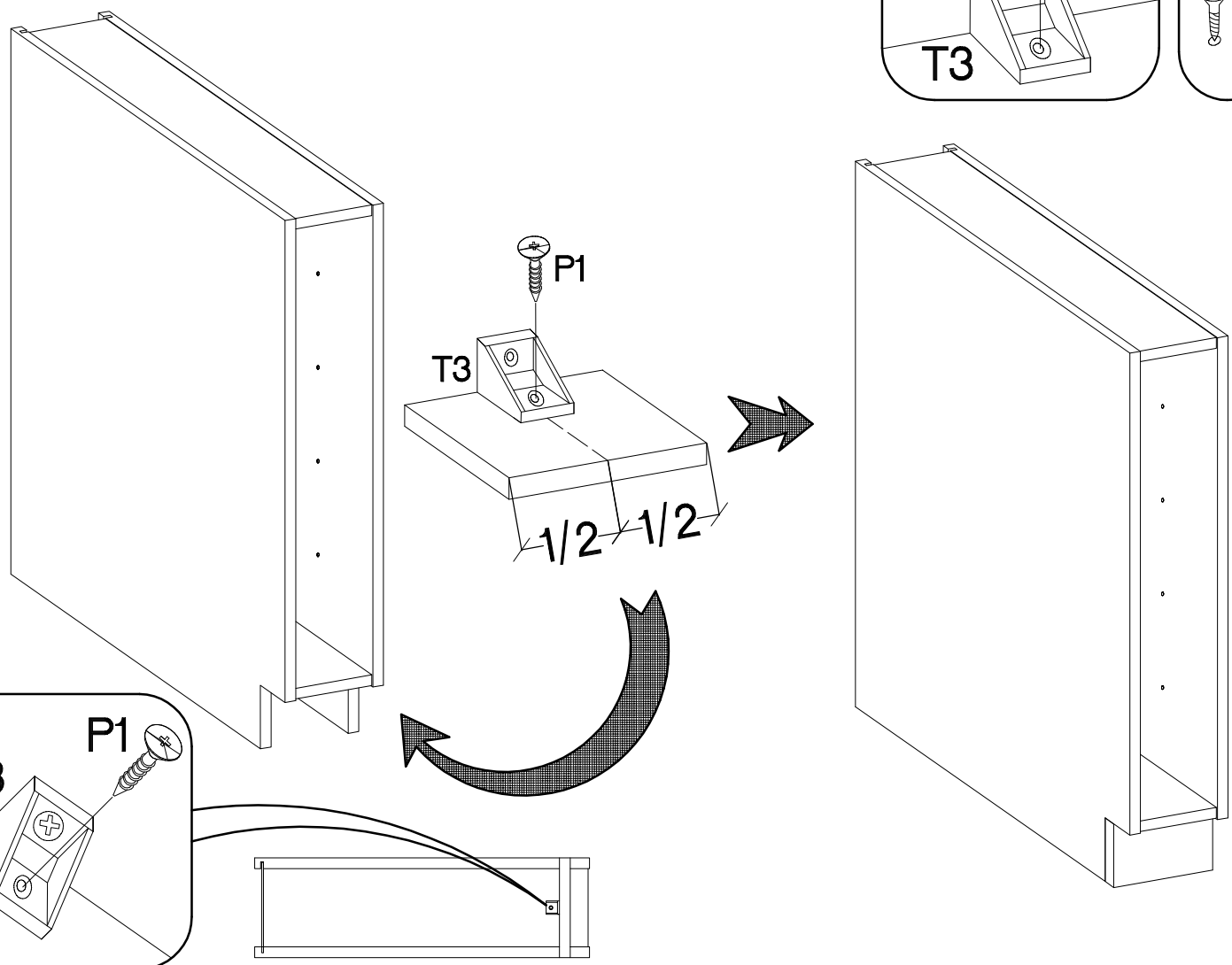
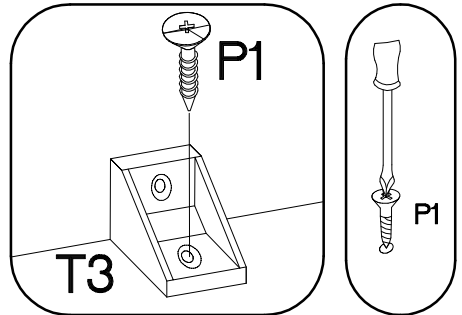
4

∅3.0x20mm	
	P7
	4

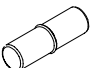


5

	$\pm 4.0 \times 16 \text{mm}$
T3	P1
1	2



6


J3
16

