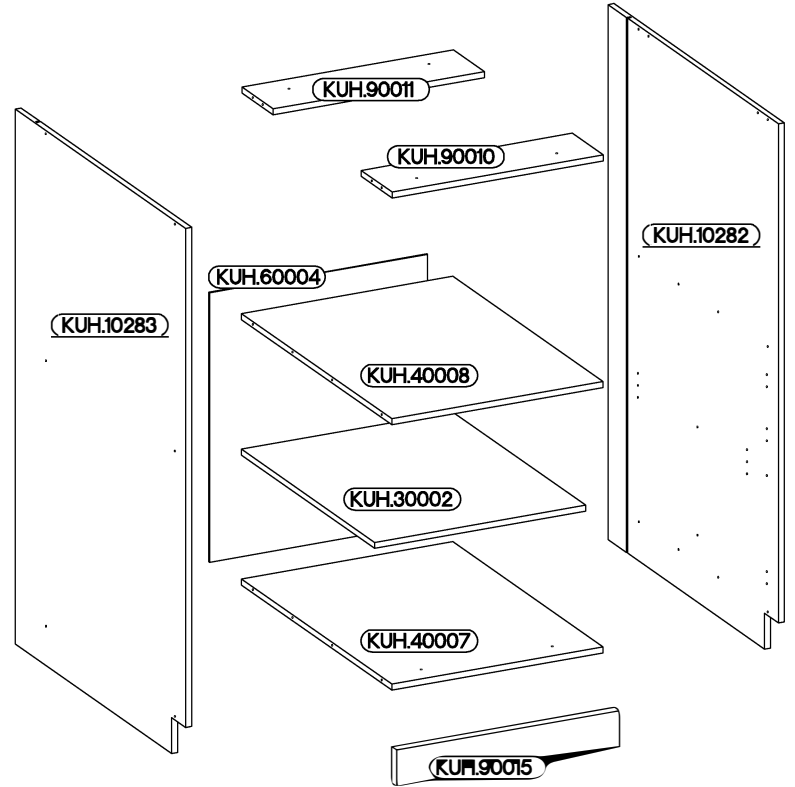
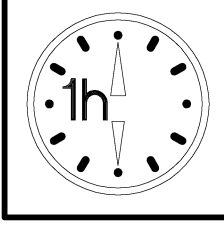
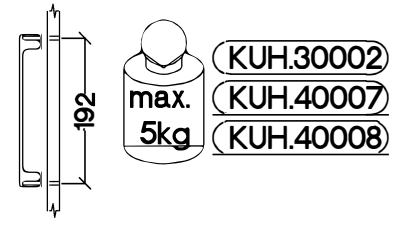
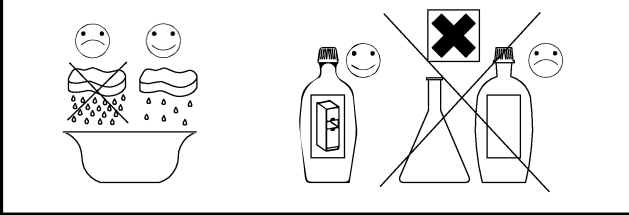
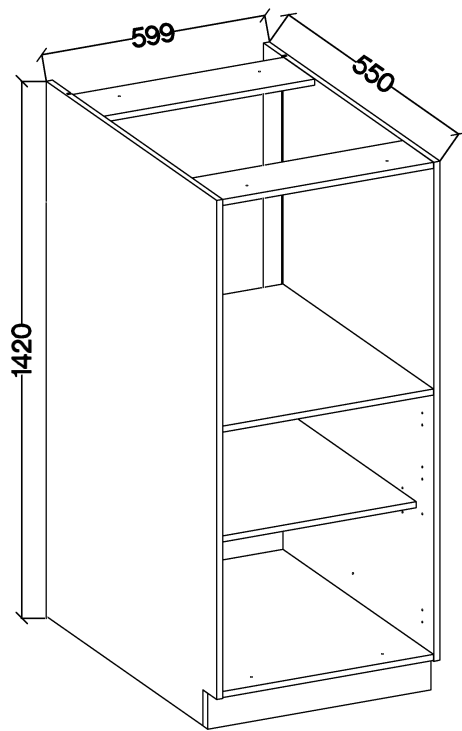
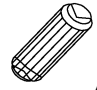



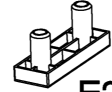




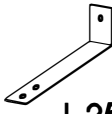







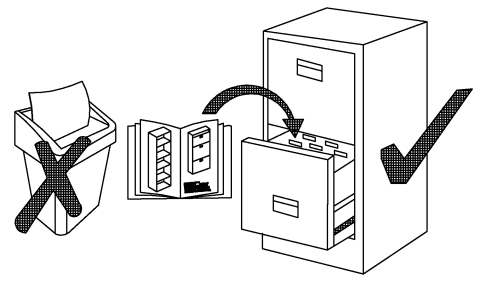


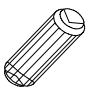
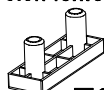
60 DP-1450 VIRION

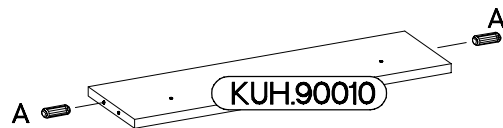
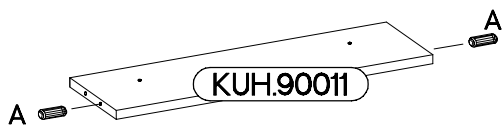
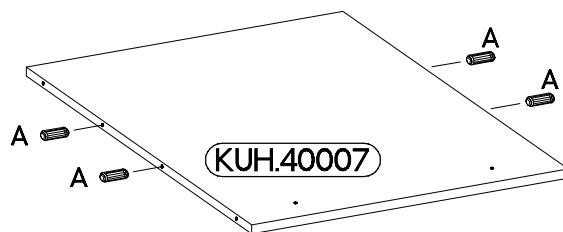
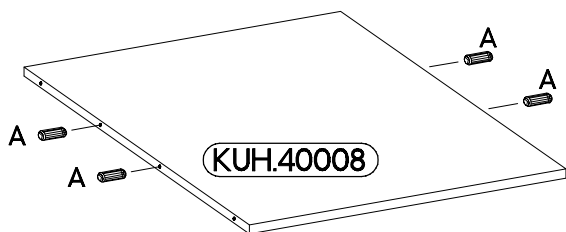
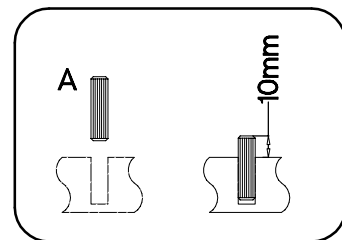
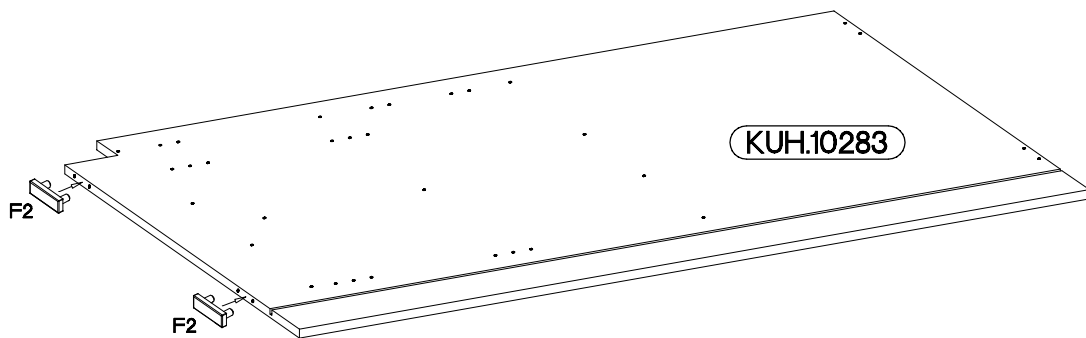
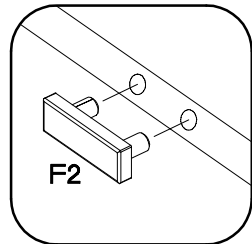
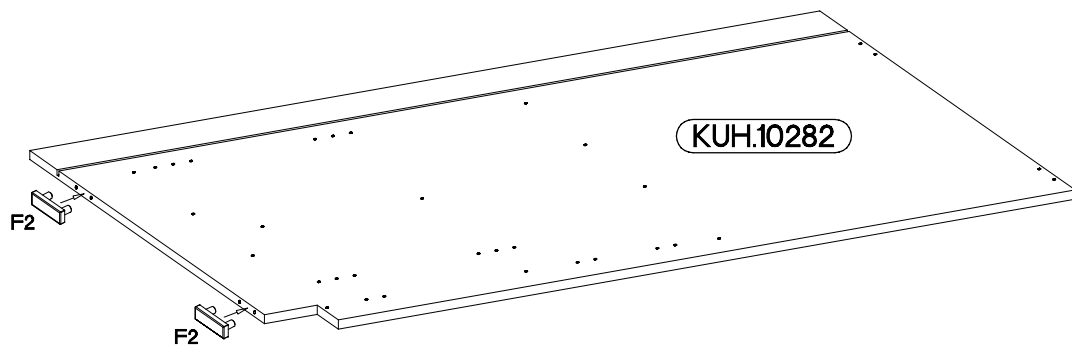
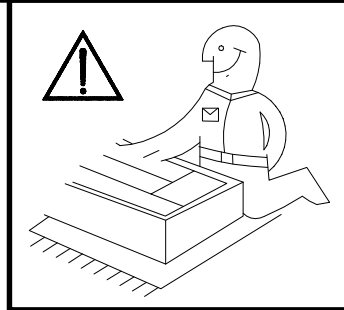


 A	 B	 E1				
12	12	12				
 E9	 F2	 HG	 J	 K28	 K29	 L25
2	4	2	4	2	1	1
 O	 P4	 P5	 P7	 R2	 R3	 S15
1	2	10	8-10	2	4	1



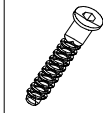
1

$\varnothing 8 \times 30 \text{mm}$  A 12	$6.5 \times 48 \times 16$  F2 4
--	--



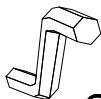
2

6,4 x 50mm



B

6



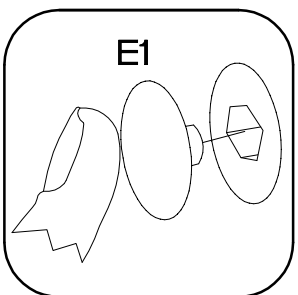
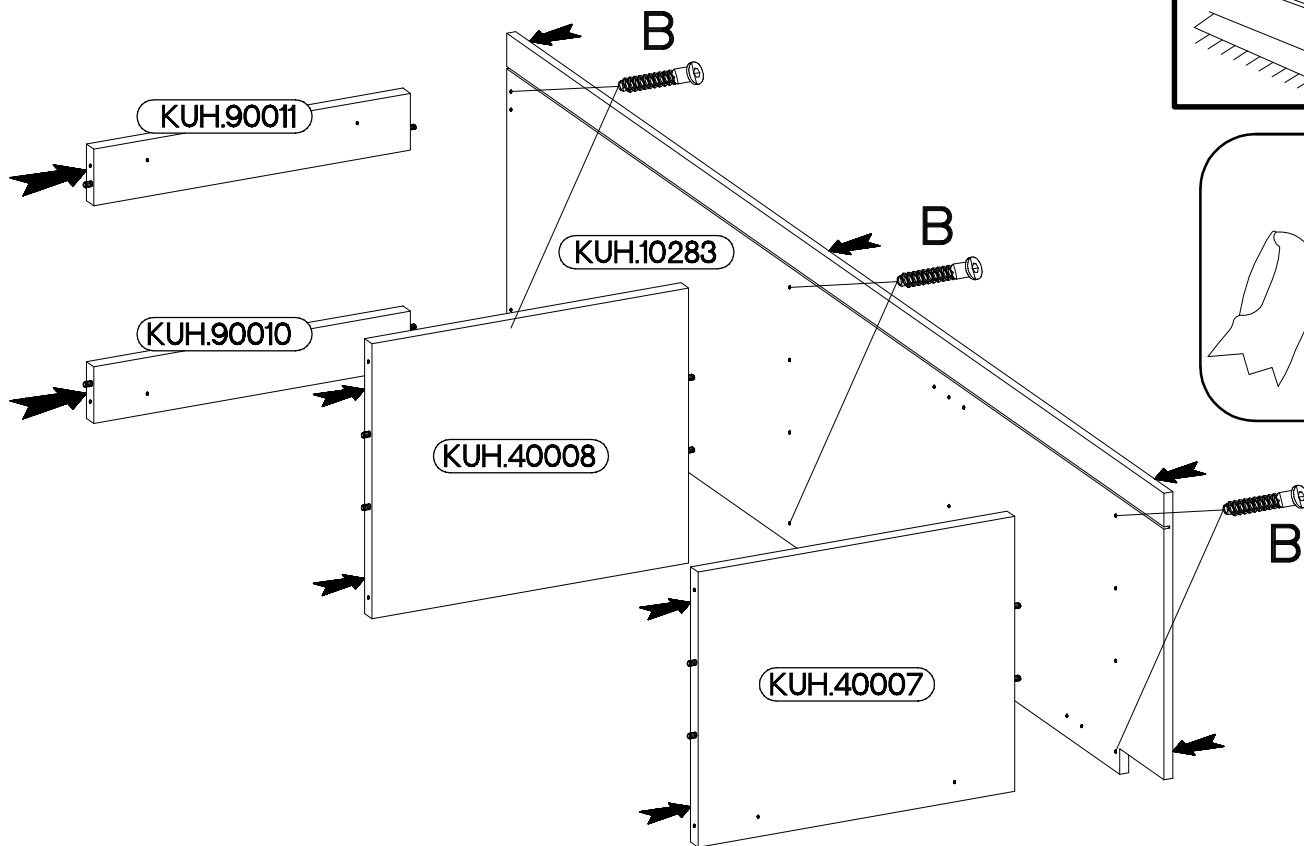
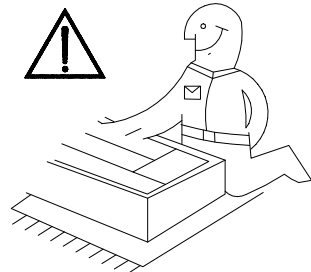
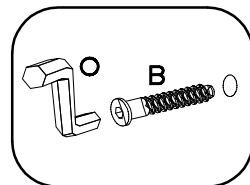
O

1



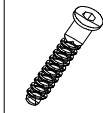
E1

6



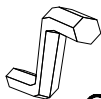
3

6,4 x 50mm



B

6



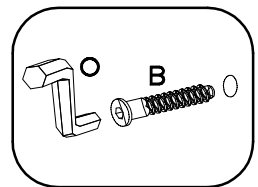
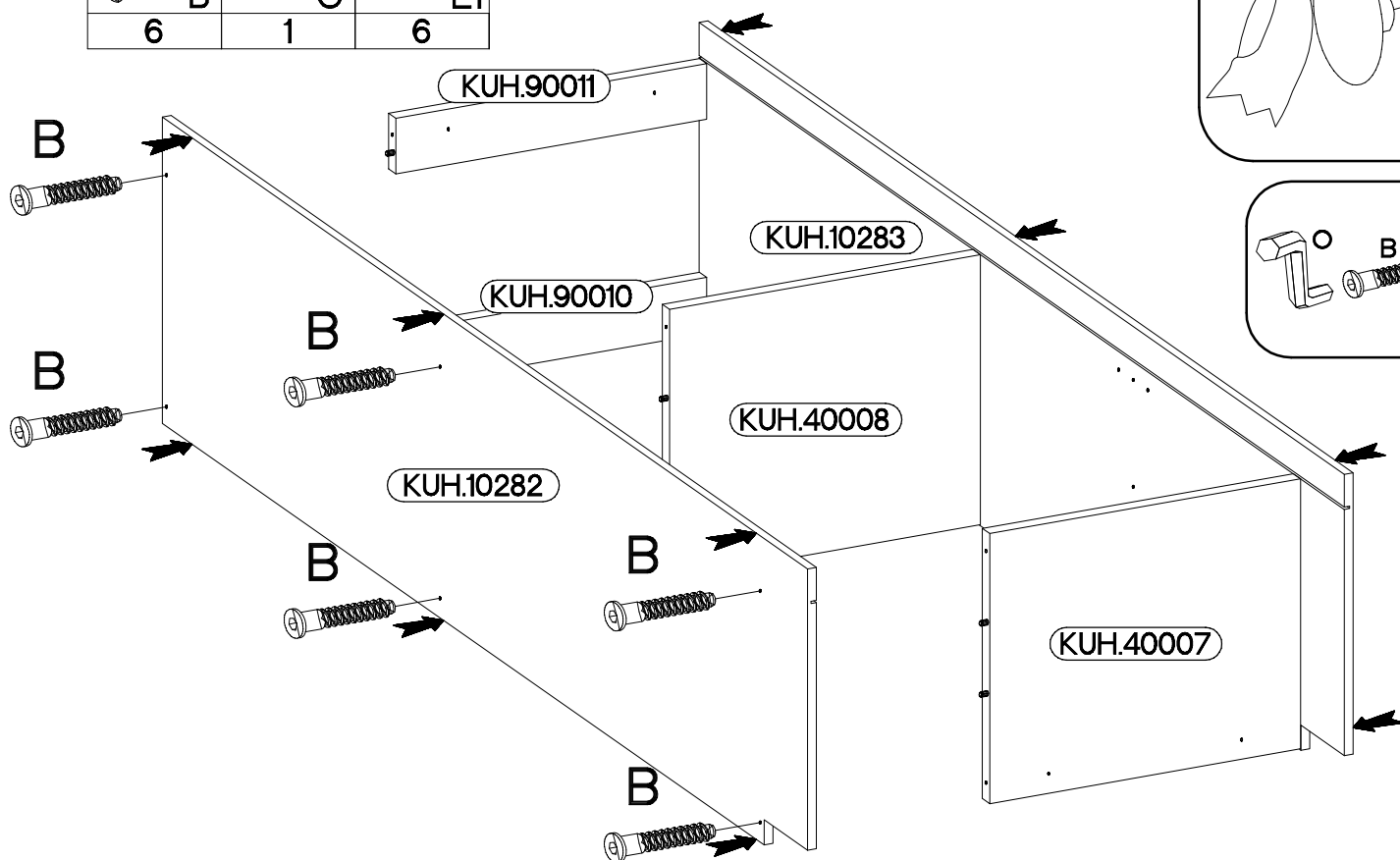
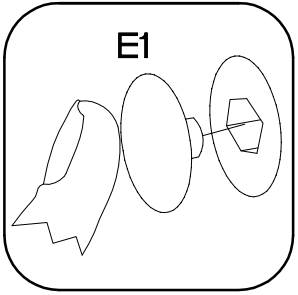
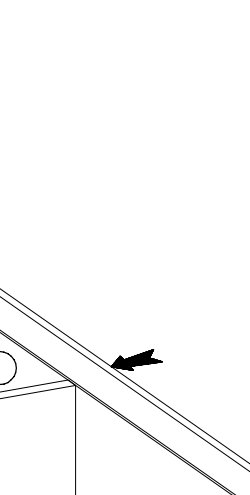
O

1

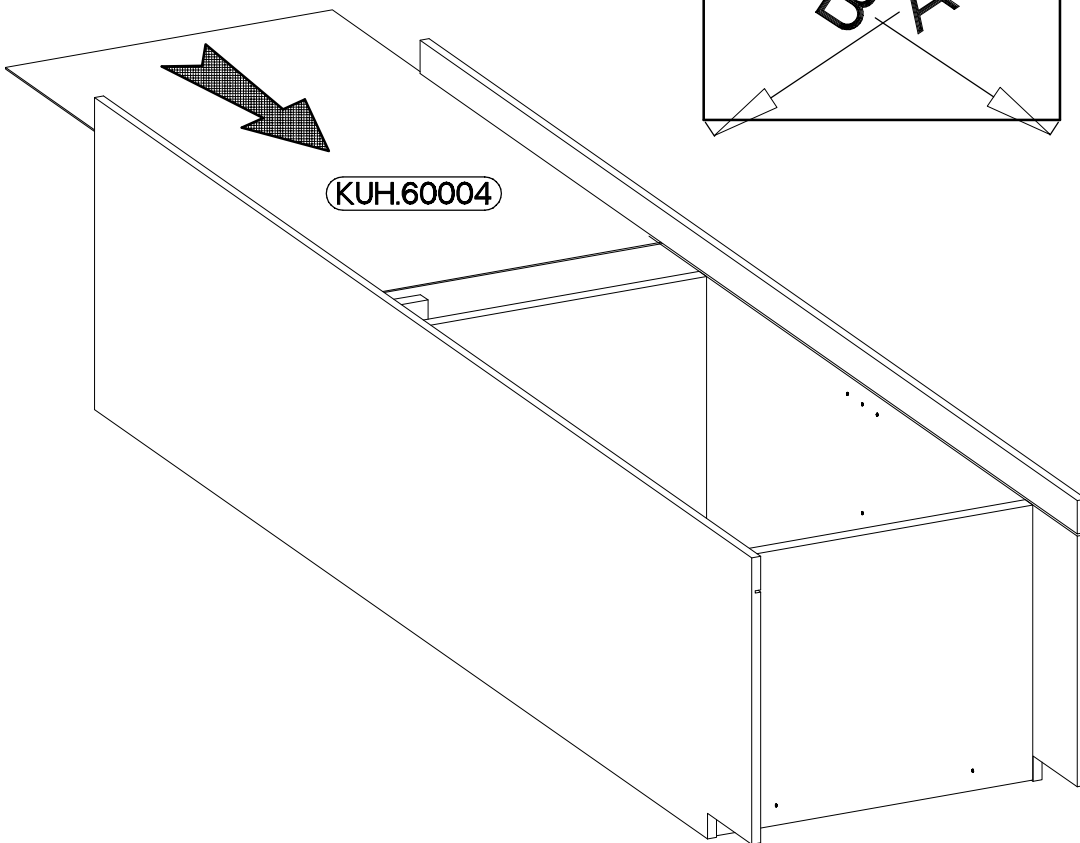


E1


6

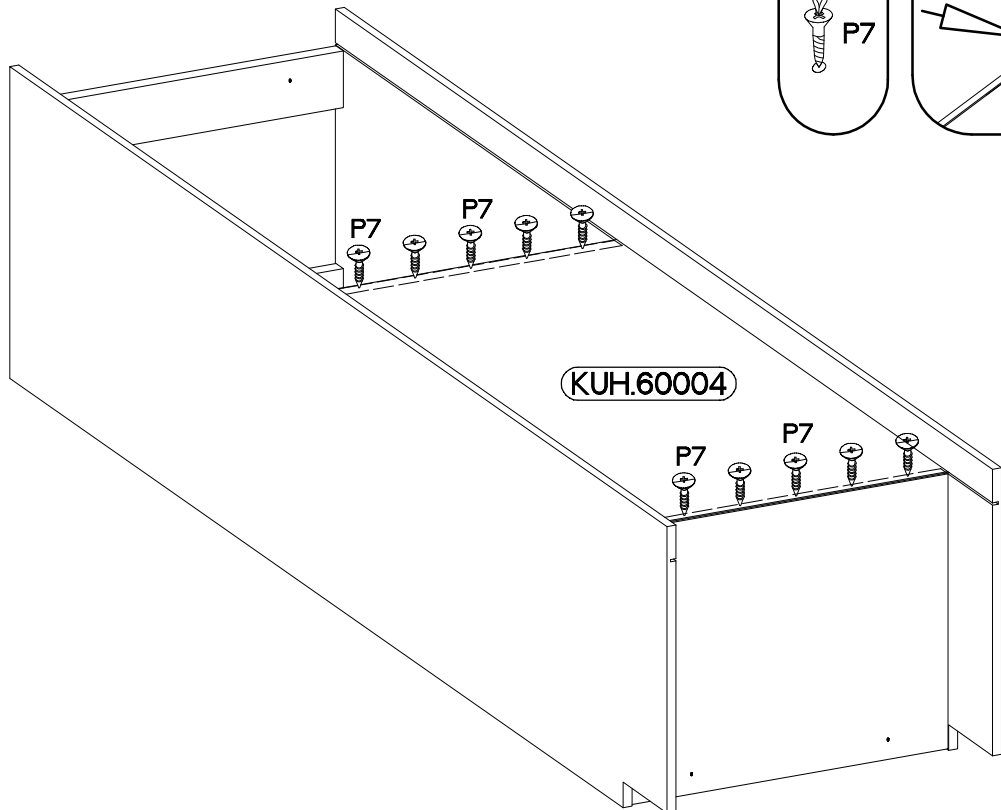
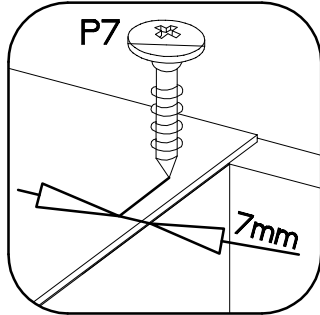
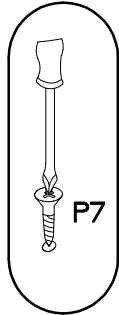


4



5

±3.0x20mm

 P7
 8-10



6

±4.0x45mm



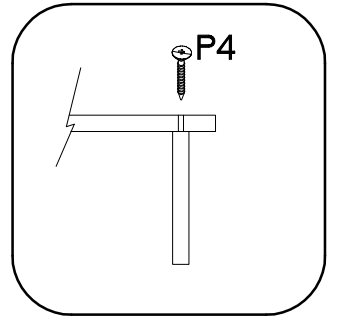
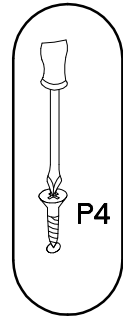
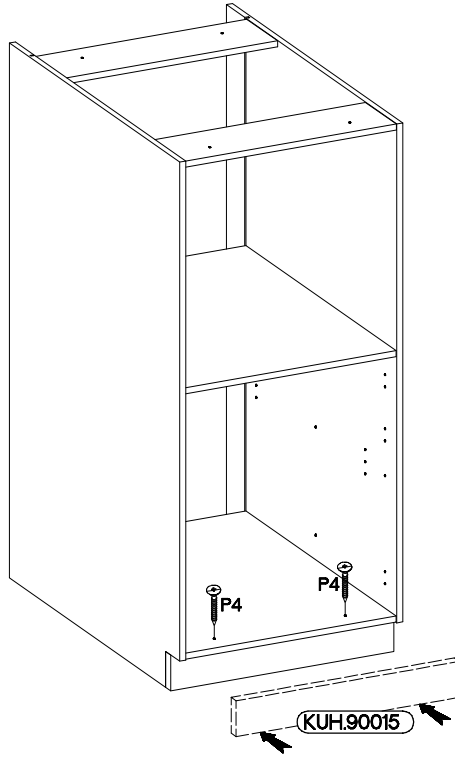
P4

2



E9

2



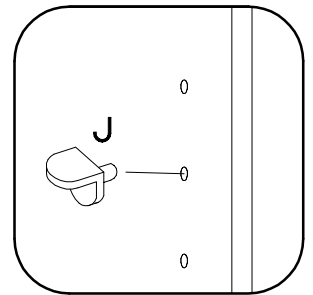
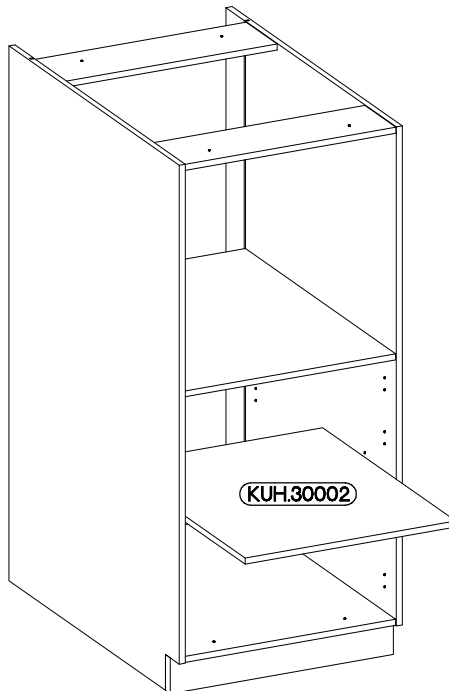
7

±5/19mm

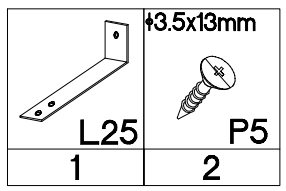


J

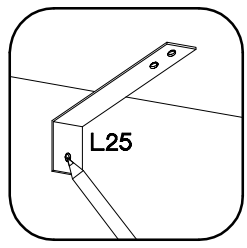
4



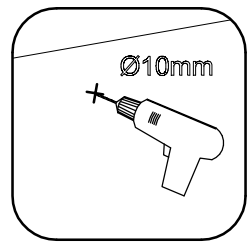
8



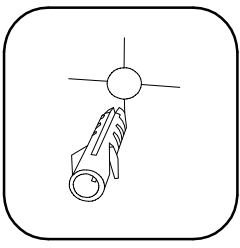
1.



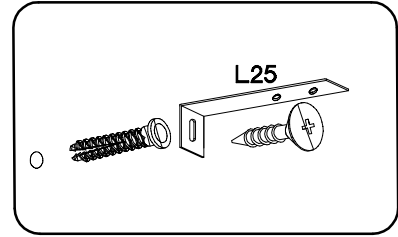
2.



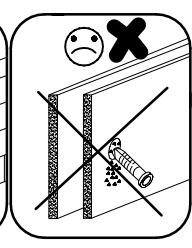
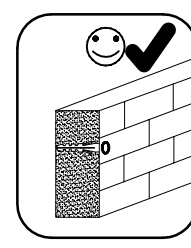
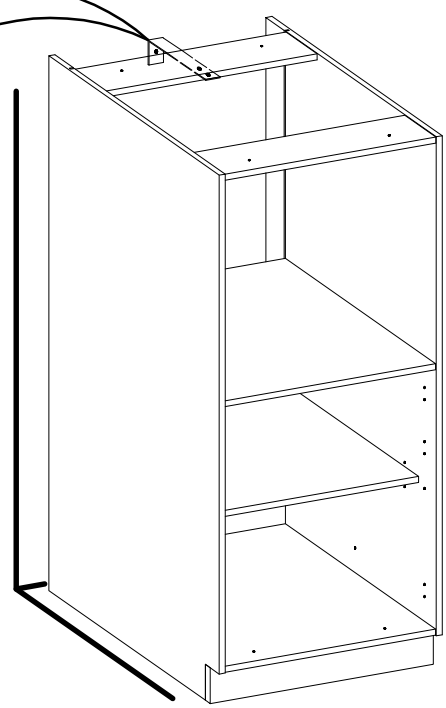
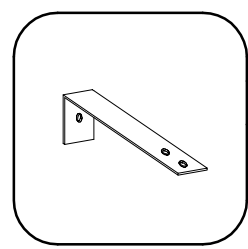
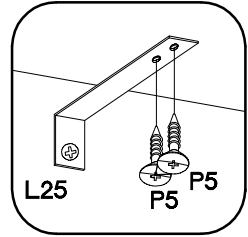
3.



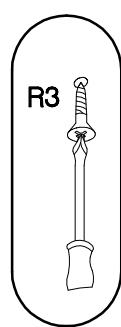
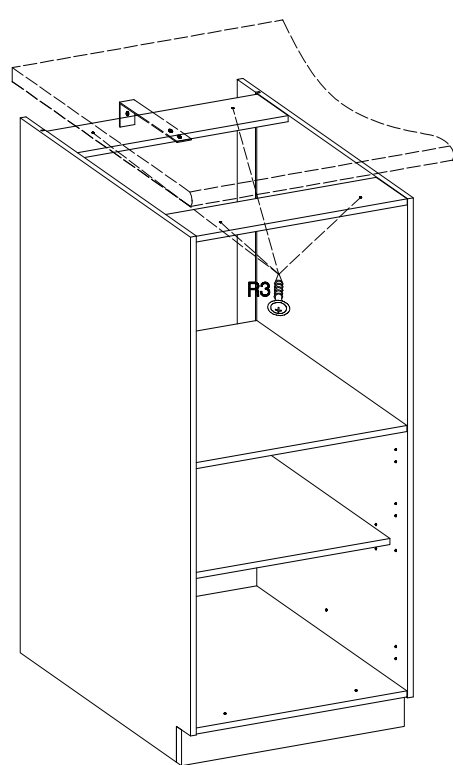
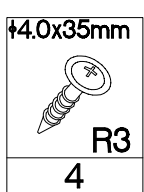
4.

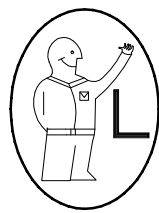
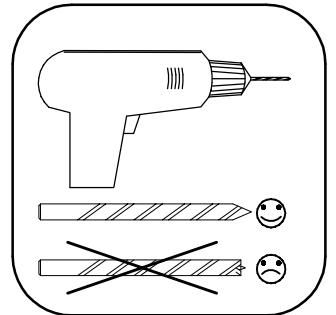
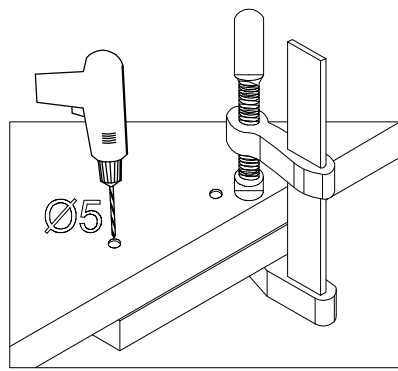
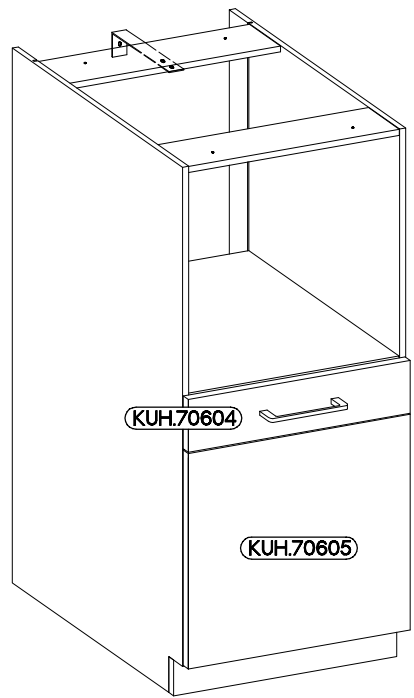


5.

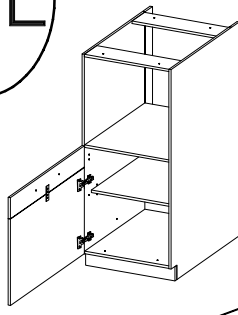


9

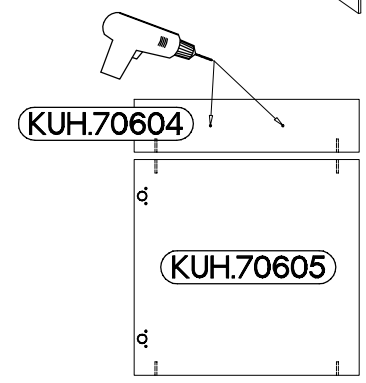
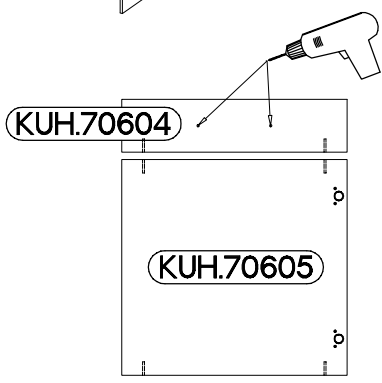
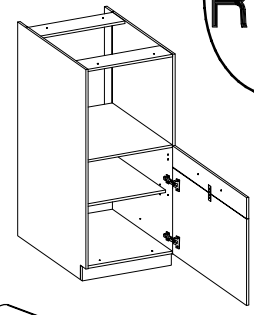
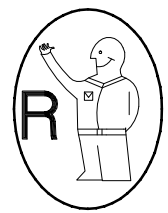



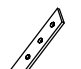



LEFT

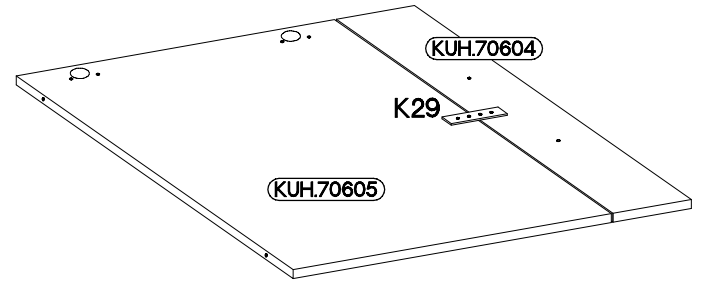
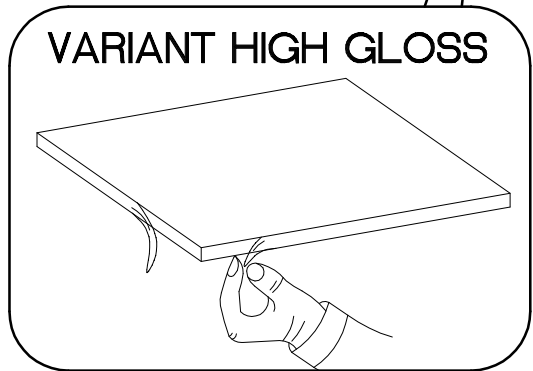
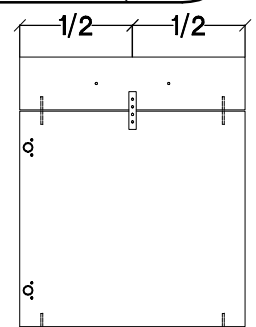
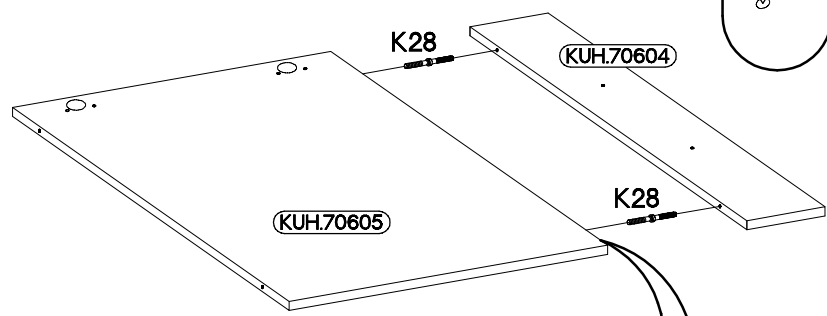
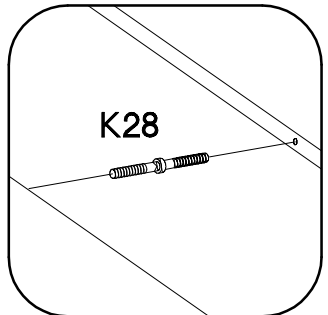
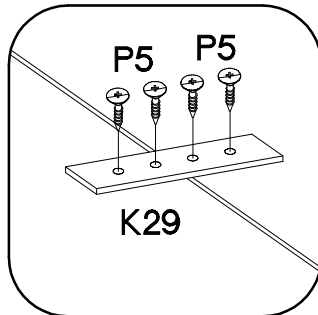
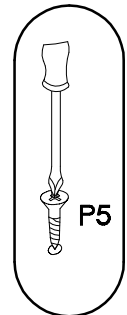


RIGHT





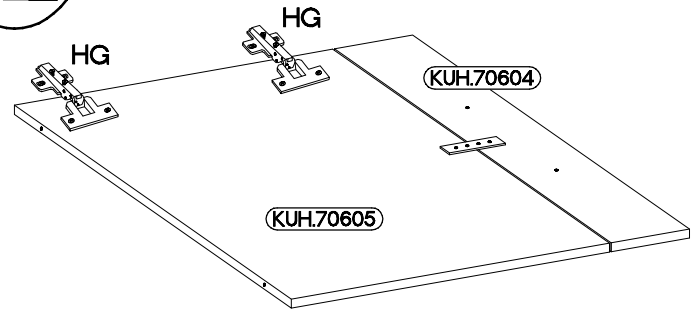
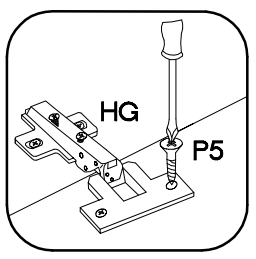
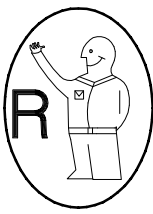
		
K28	K29	P5
2	1	4

±3.5x13mm


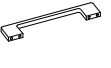


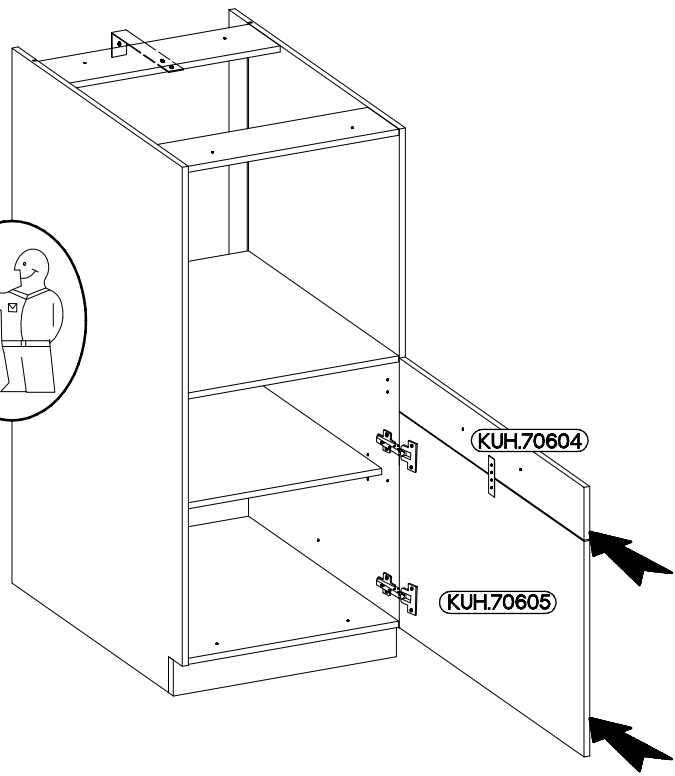
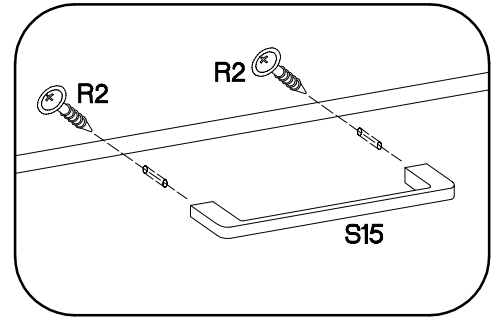
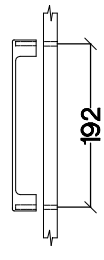
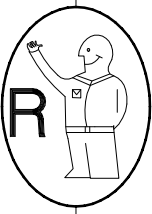
12

 †35/0mm HG 2	 †3.5x13mm P5 4
--	--

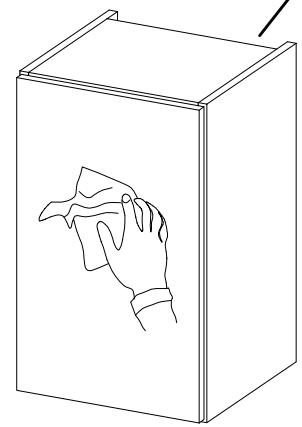
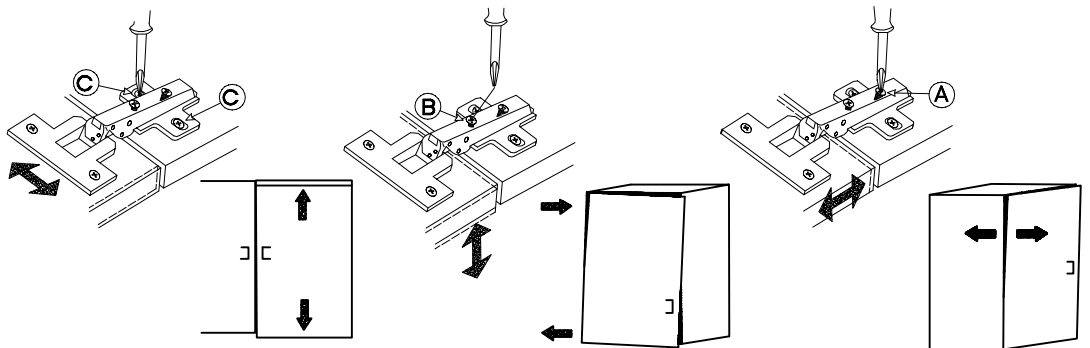
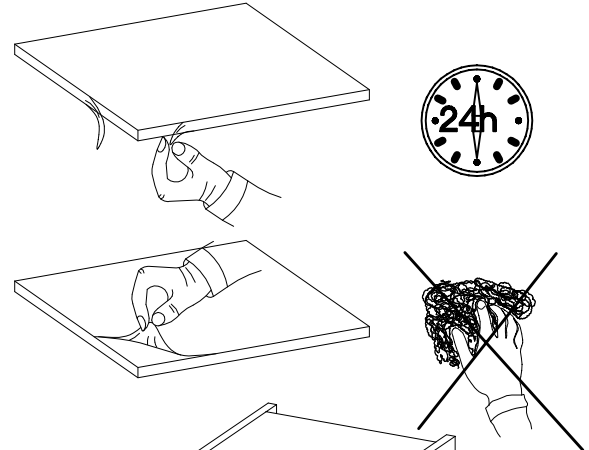


13

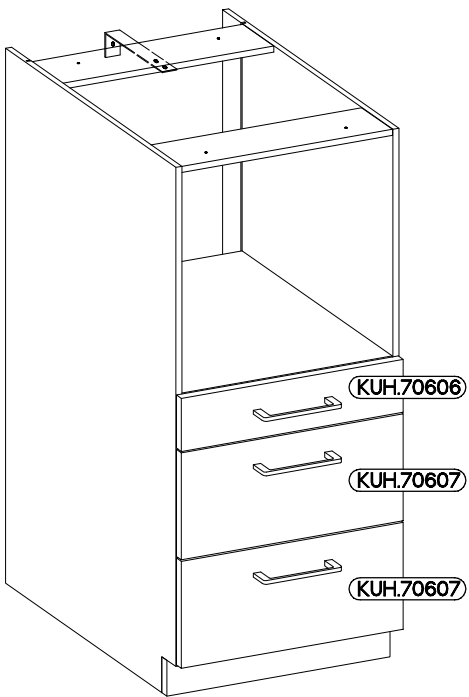
 †4.0x30mm R2 2	 S15 1
---	---



VARIANT HIGH GLOSS



14 60 DPS-1450 3S

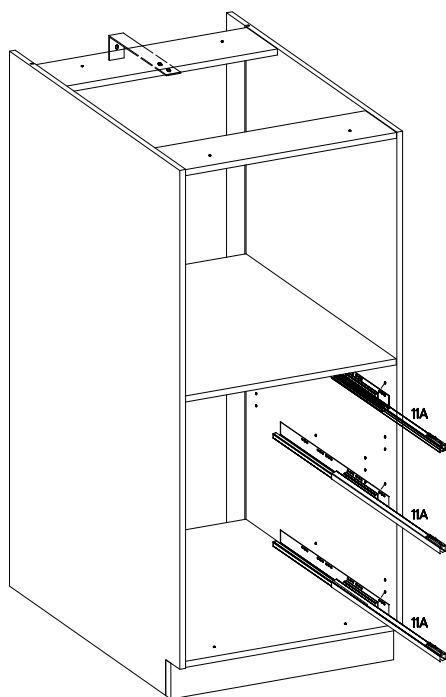
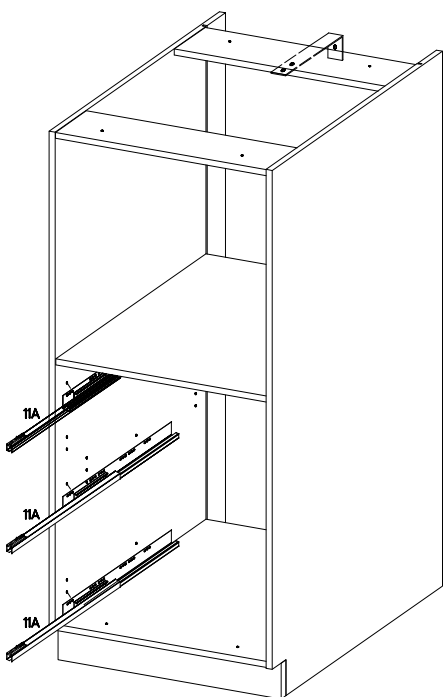
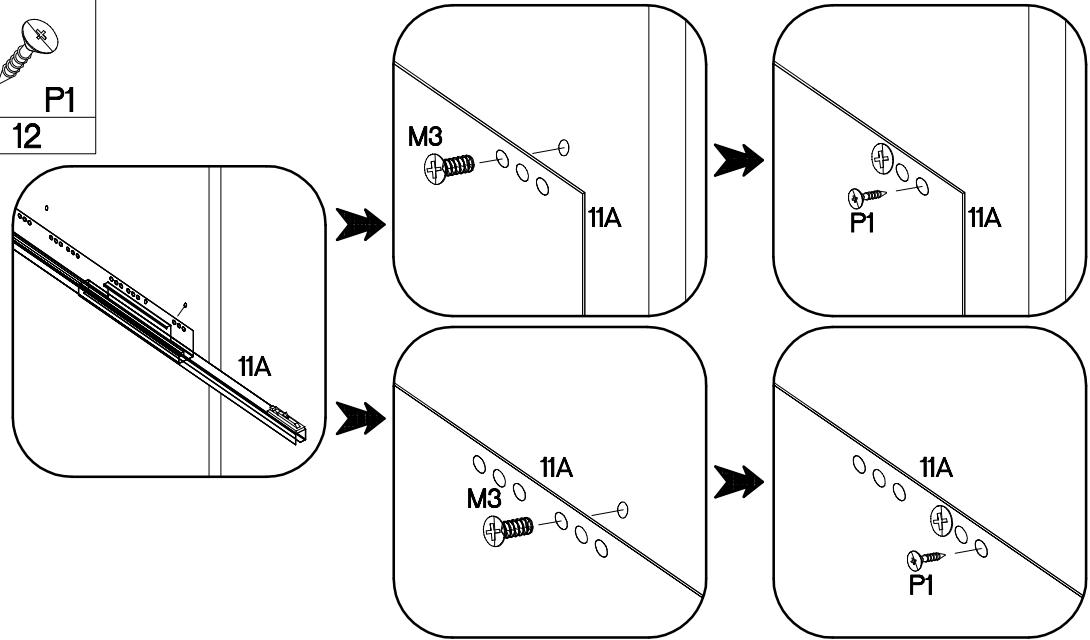


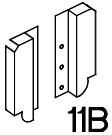
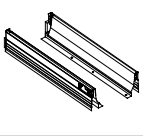

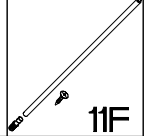



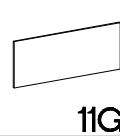
11A 3	11B 2	11C 3	11D 1	11E 6
11F 4	11G 6	11H 4	M3 12	P1 24
			P5 24	
			R2 4	S15 2

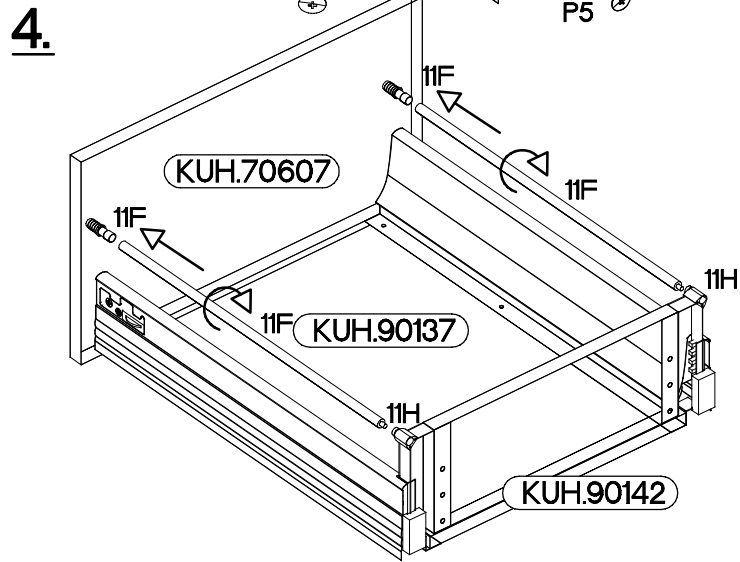
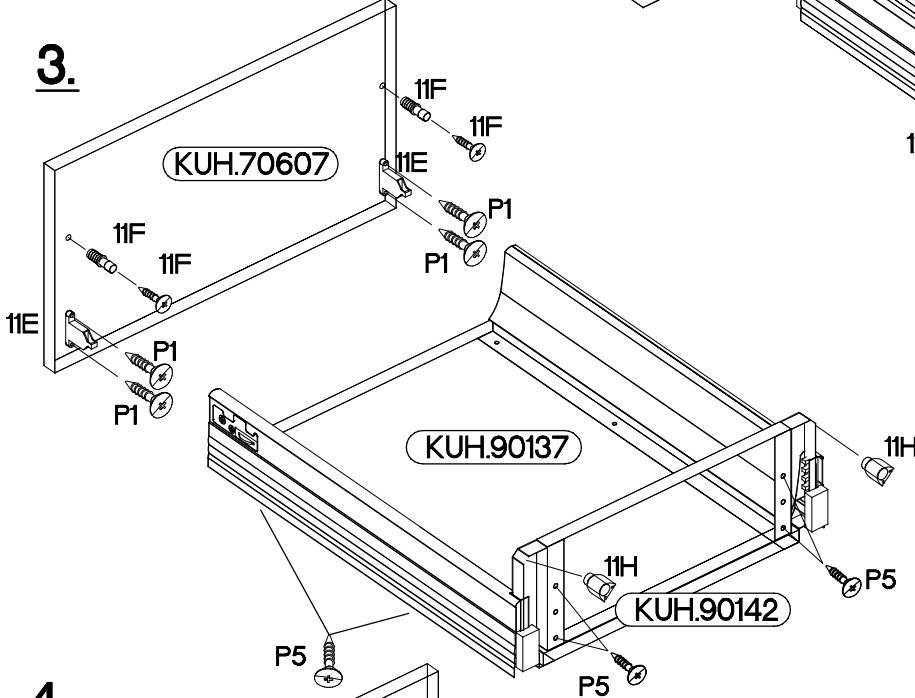
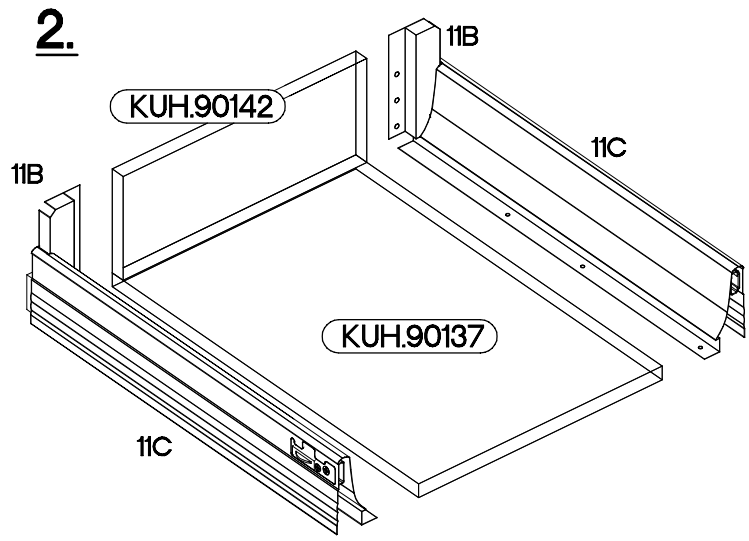
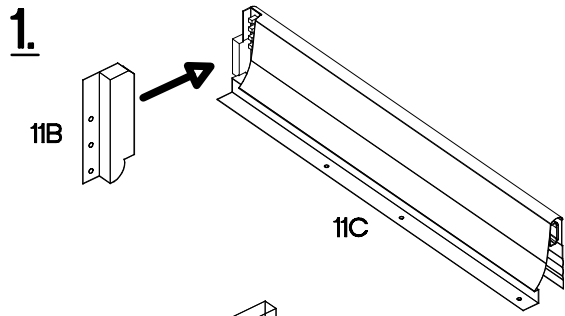


15

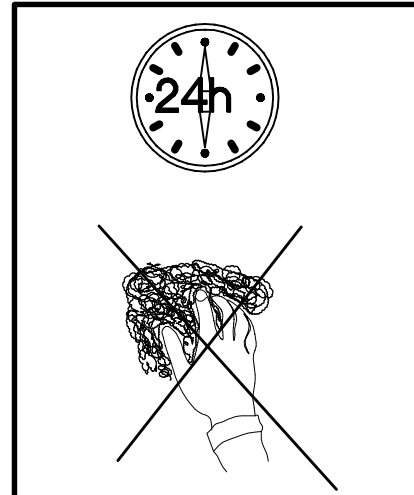
11A 3	M3 12	P1 12
----------	----------	----------



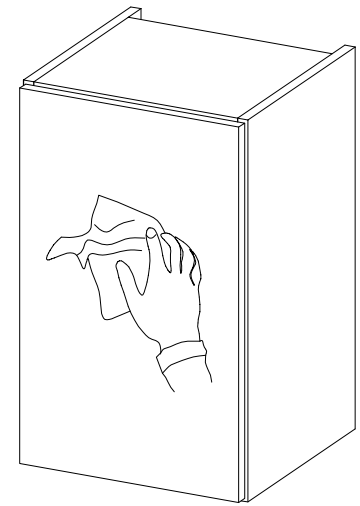
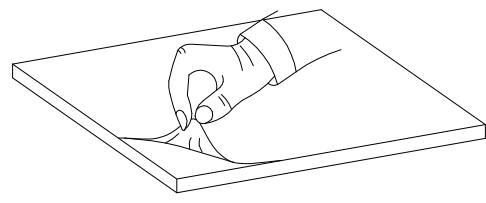
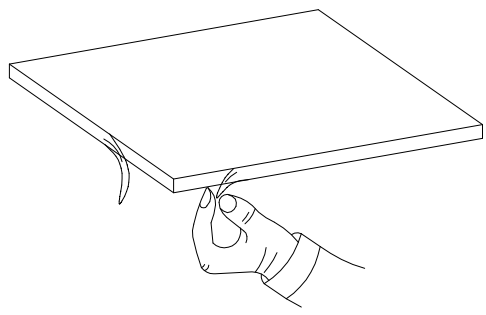
							
2	2	4	4	4	8	16	4



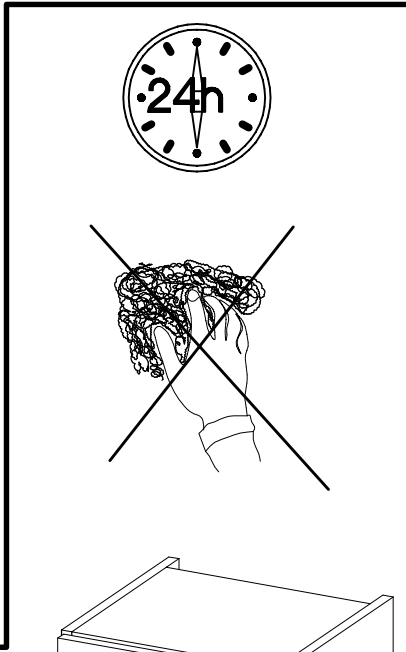
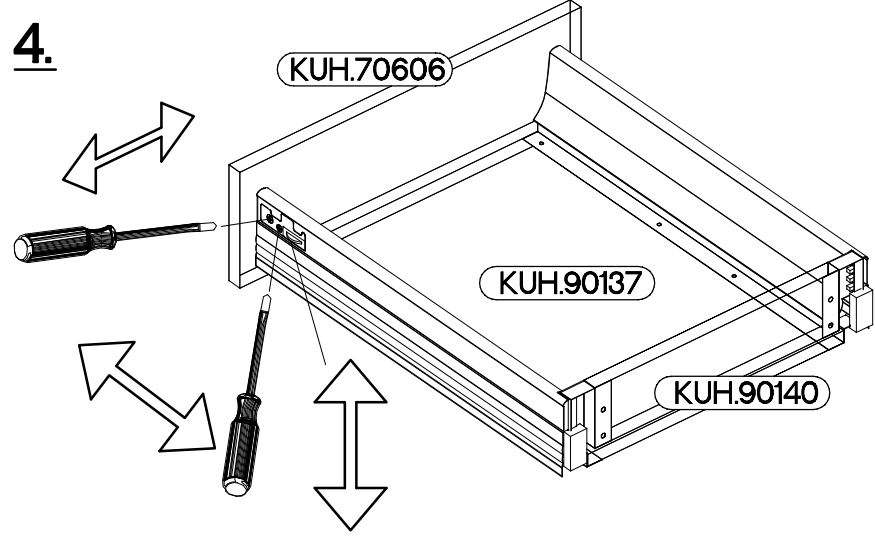
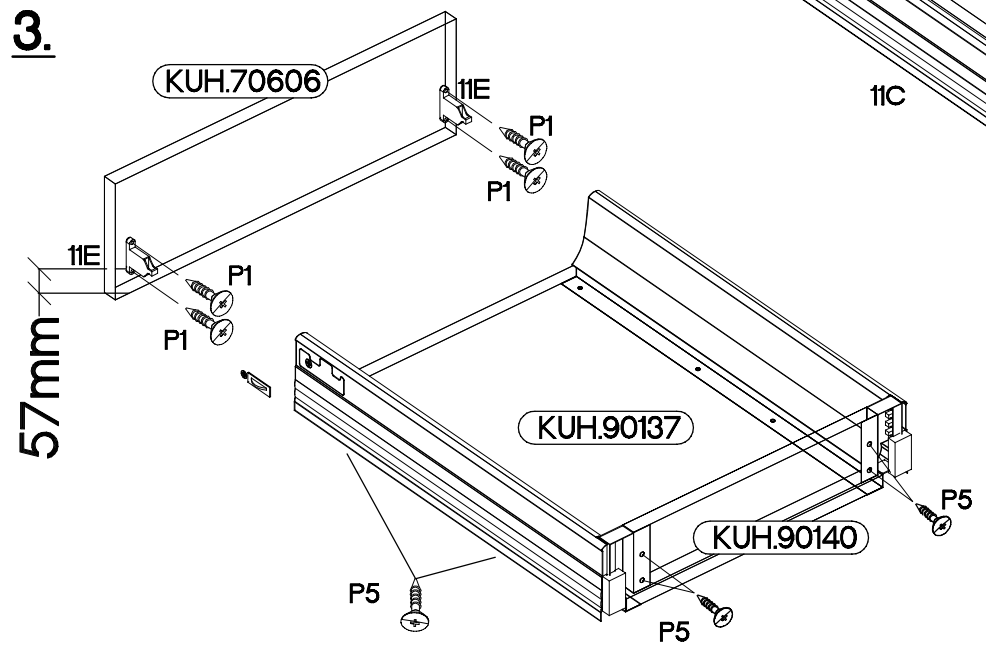
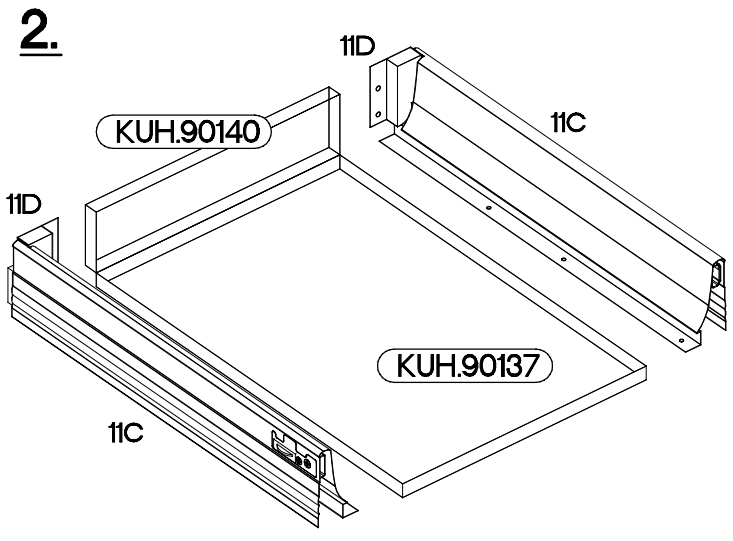
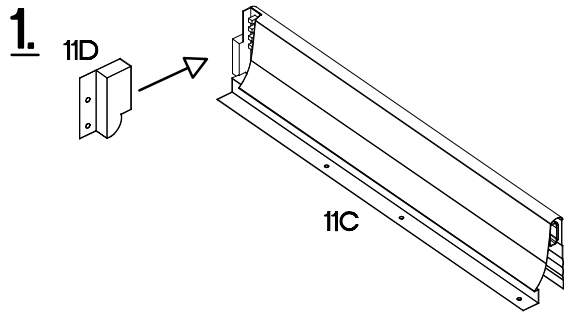
x2



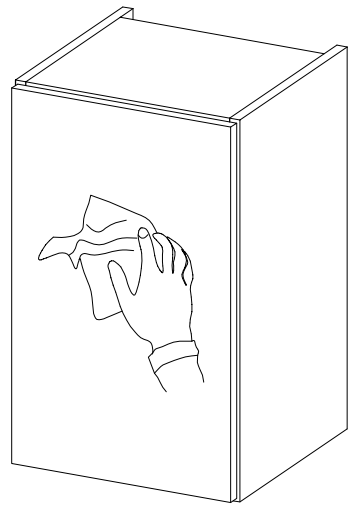
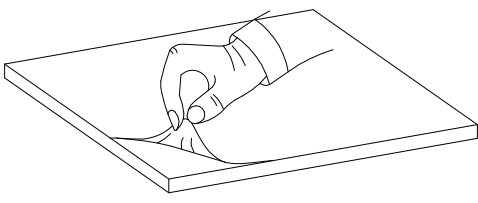
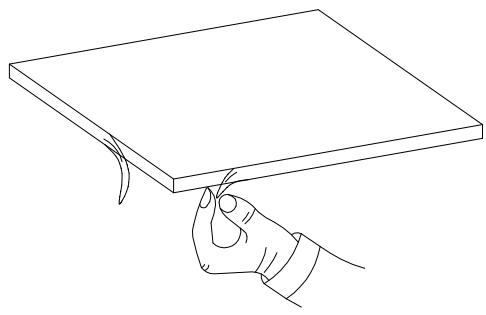
VARIANT HIGH GLOSS


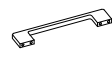


11D	11C	11E	P1	P5	11G
1	1	2	4	8	2



VARIANT HIGH GLOSS



4.0x30mm	
	
R2	S15
6	3

