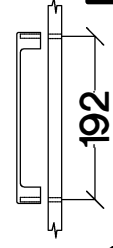
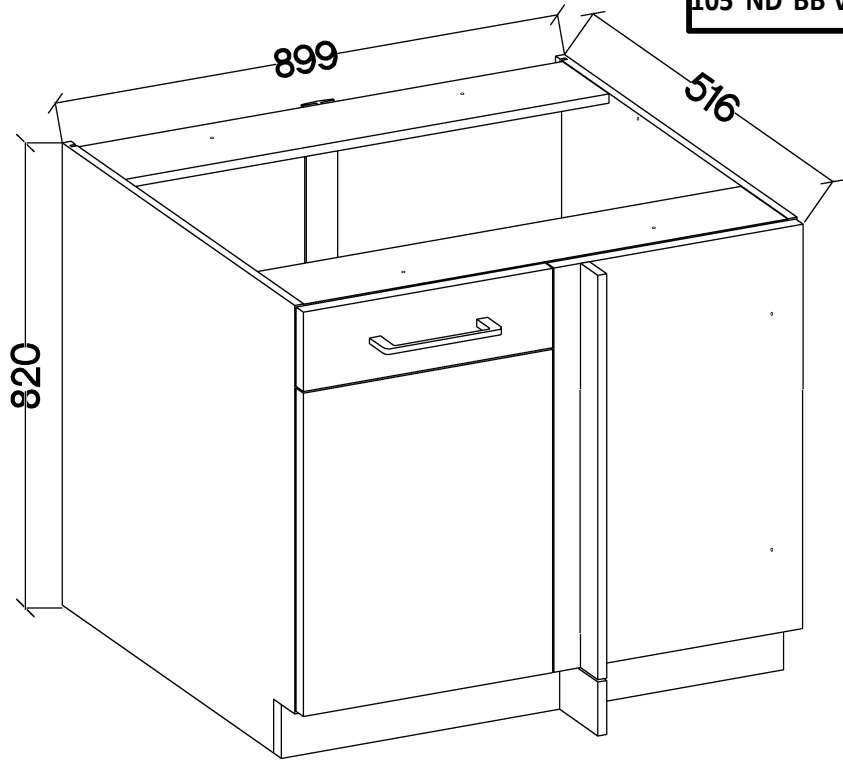
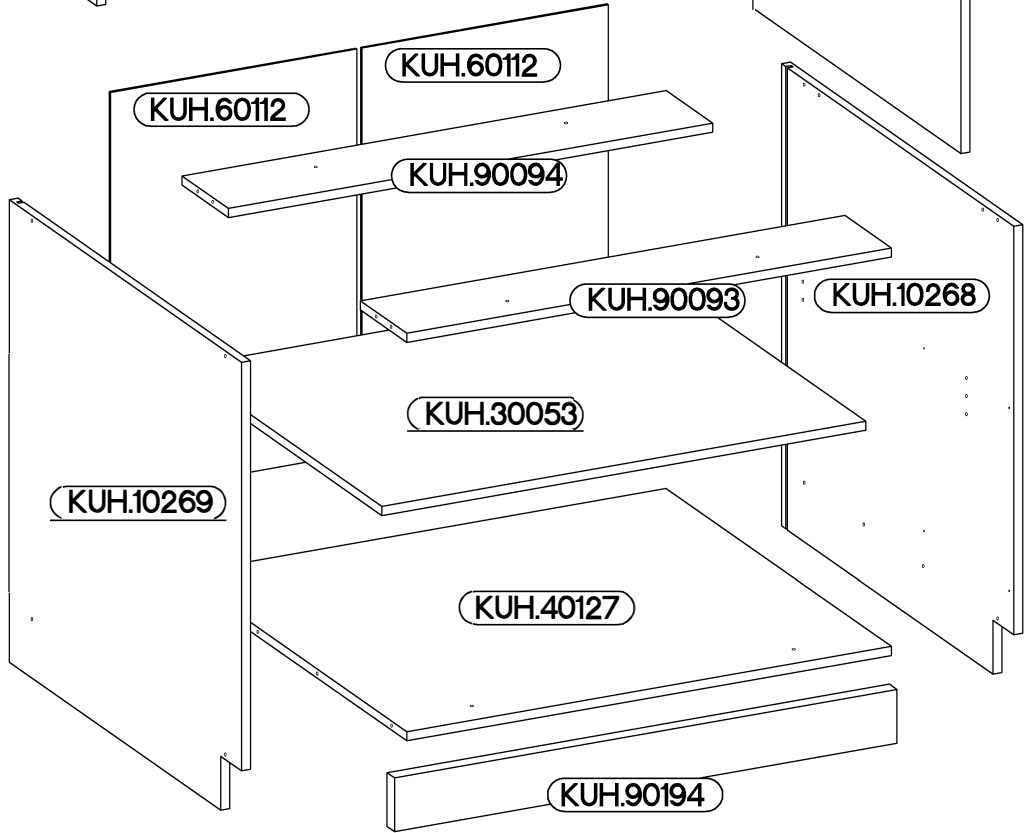
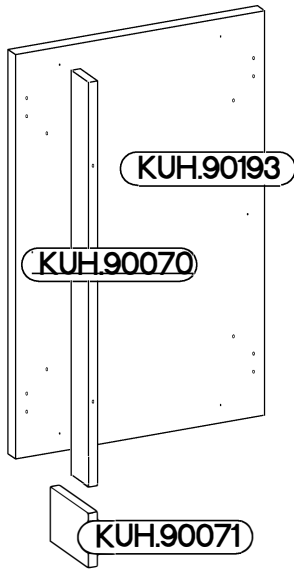
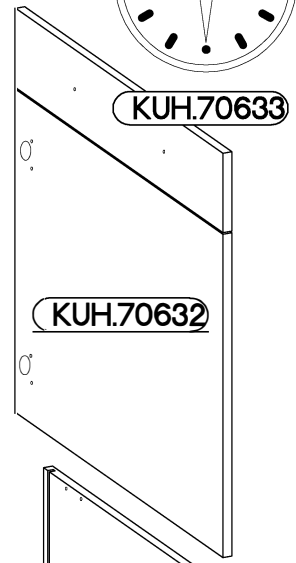


105 ND BB VIRION

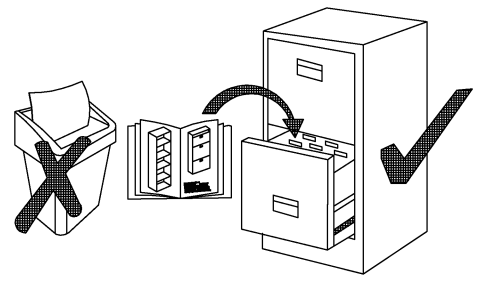


max. 10kg
 KUH.30053
 KUH.40127



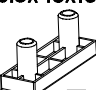
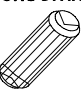
18x30mm	6,4 x 50mm	6,4x35mm
A	B	B1

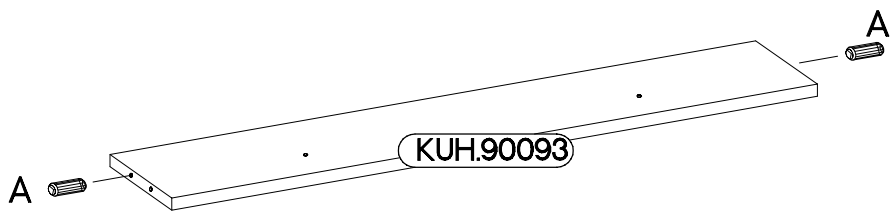
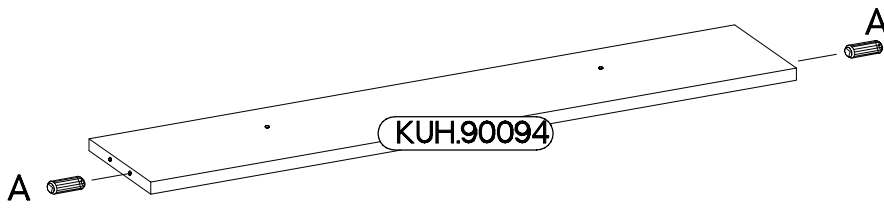
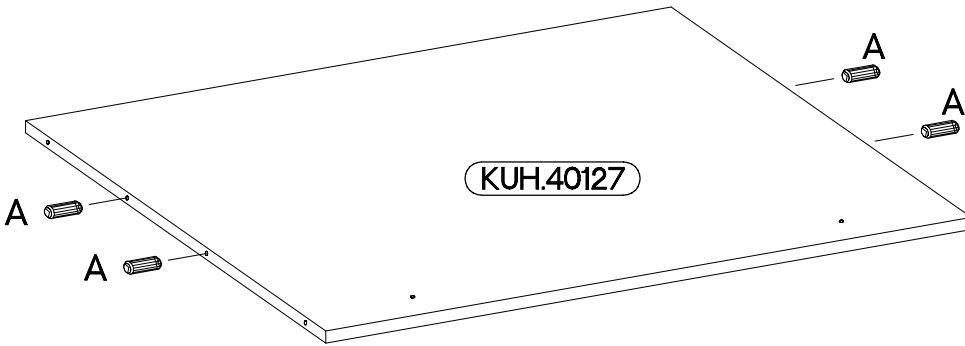
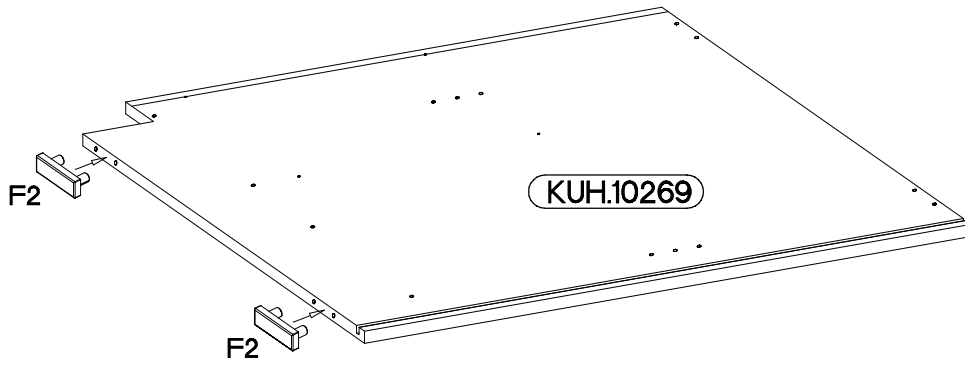
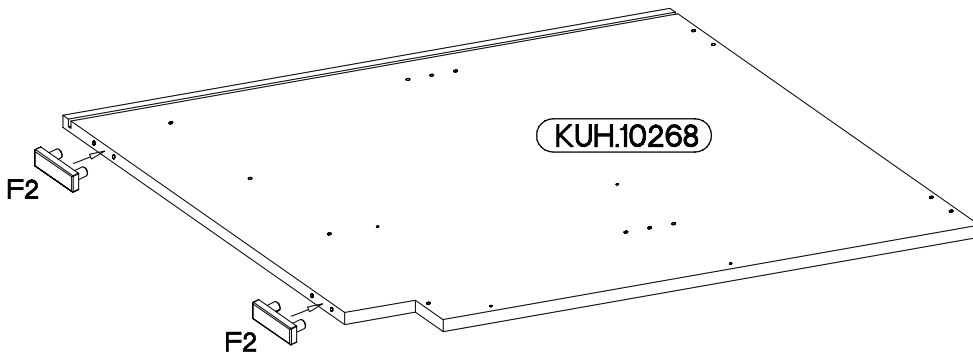
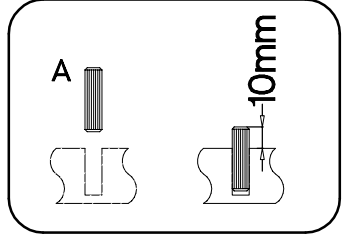
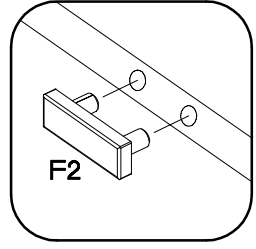
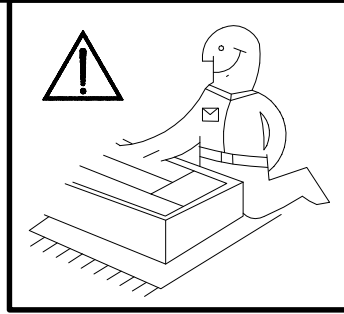
8	8	2	6.5x48x16	135/90°	15/19mm			L1-680mm		
E1	E9	F2	HG6	J	K28	K29	L1	O		
8	2	4	2	4	2	1	1	1		
4.0x16mm	4.0x45mm	3.5x13mm	3.0x20mm	4.0x30mm	4.0x35mm					
P1	P4	P5	P7	R2	R3	S15	T3	T10		
10	2	16	15-20	2	4	1	5	2		



ISM-KUH-00963

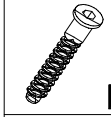
1

6.5x48x16  F2 4	+8x30mm  A 8
--	---



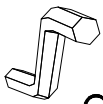
2

6,4 x 50mm



B

4



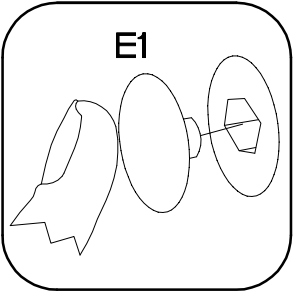
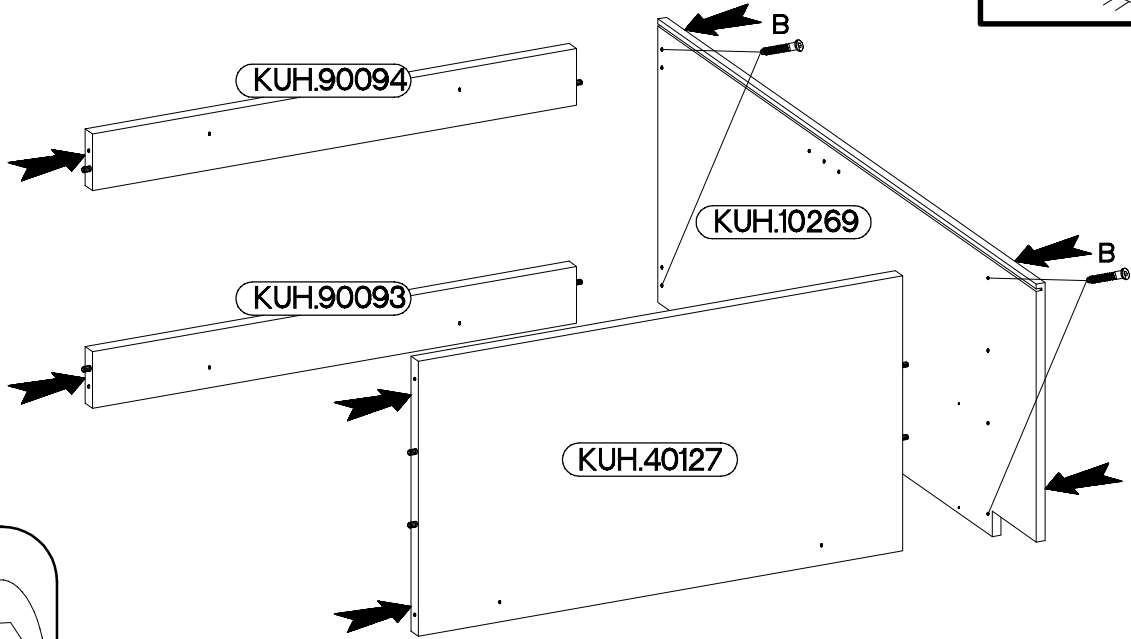
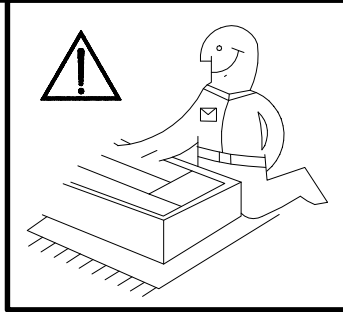
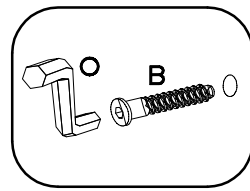
O

1



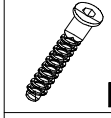
E1

4



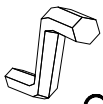
3

6,4 x 50mm



B

4



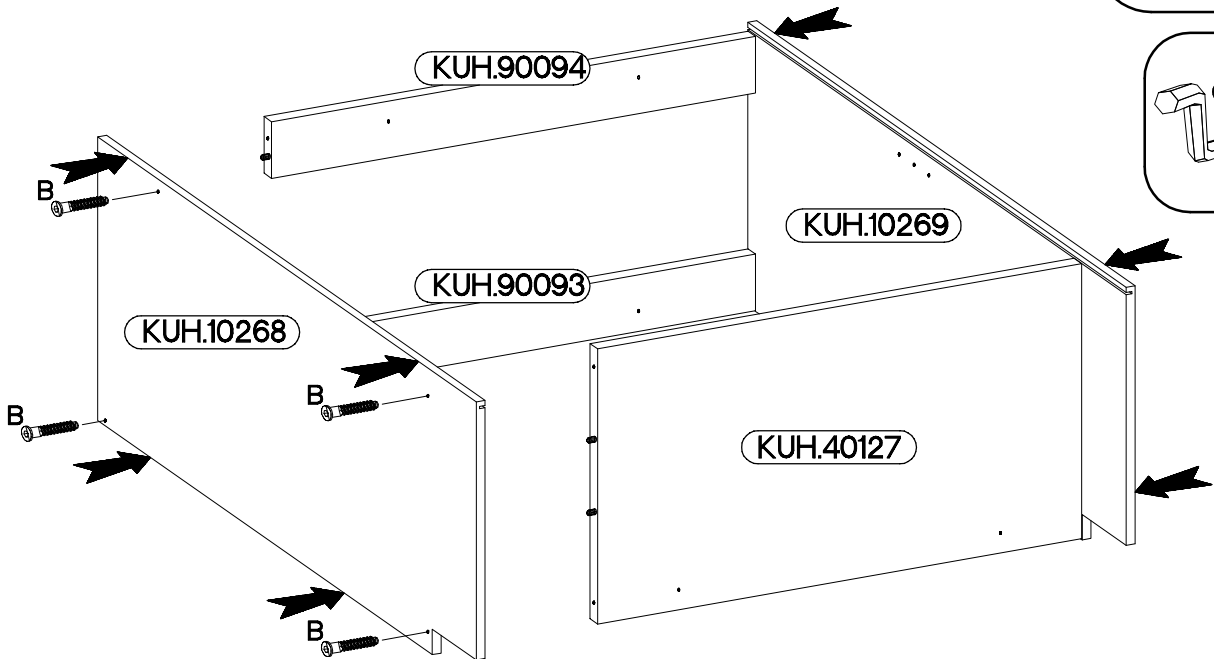
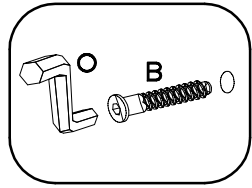
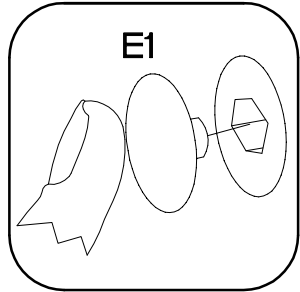
O

1

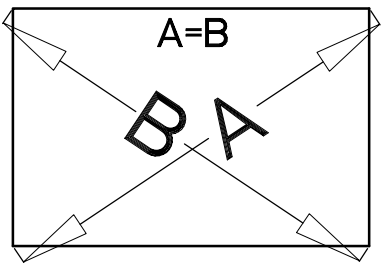
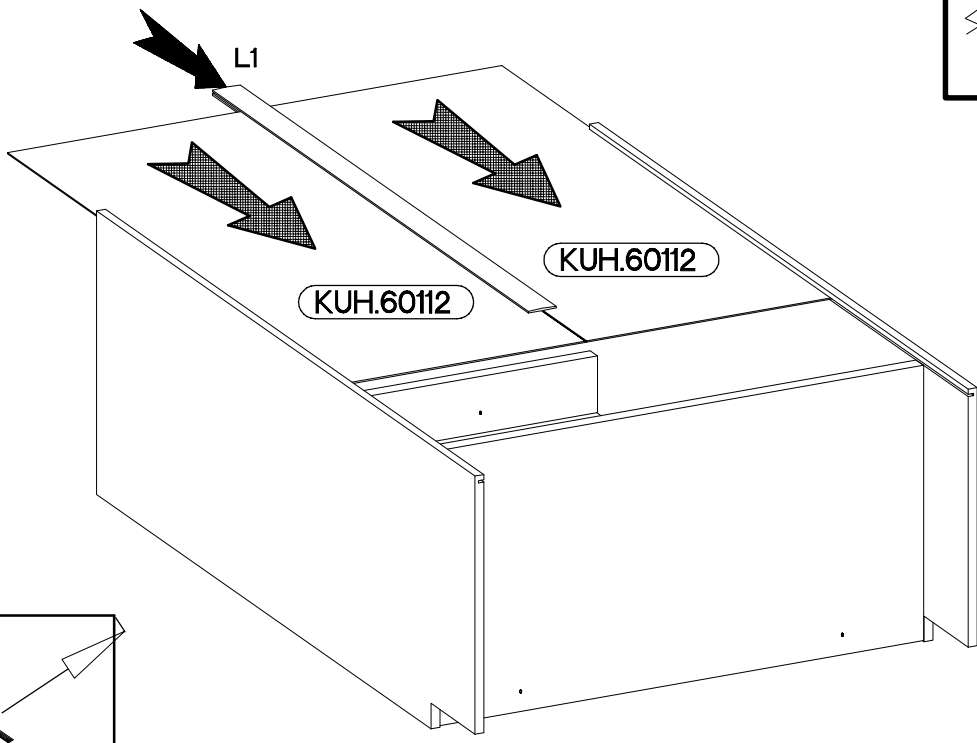
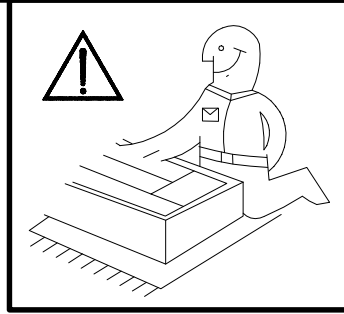
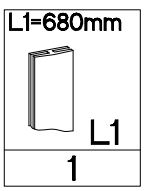


E1

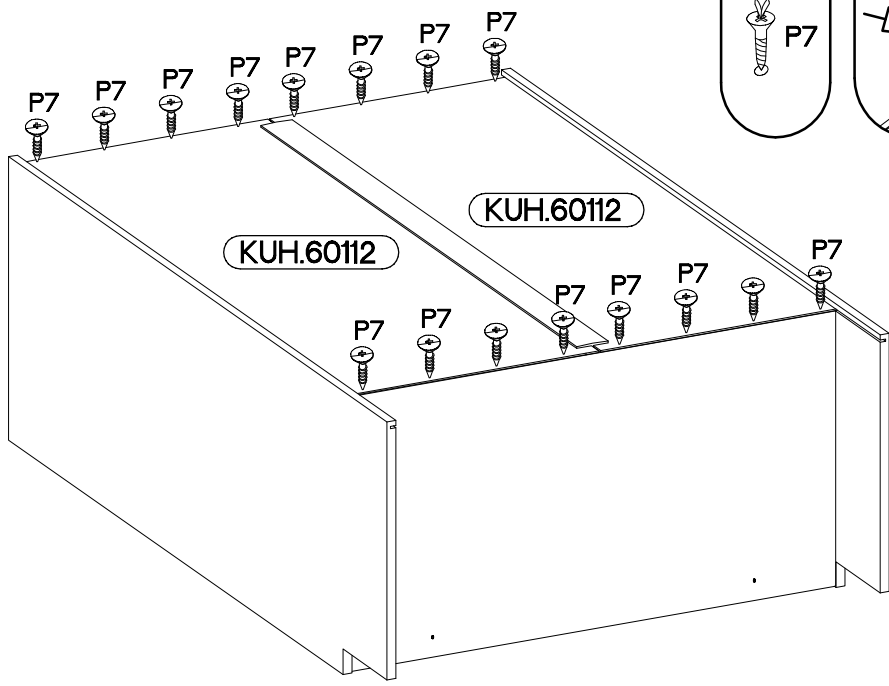
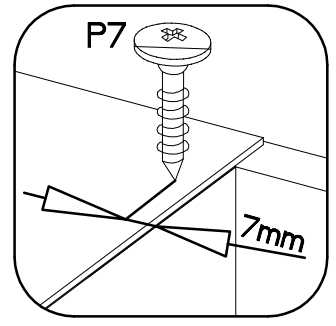
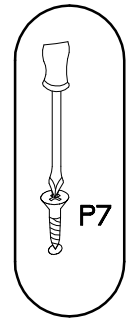
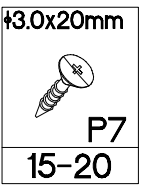
4





4

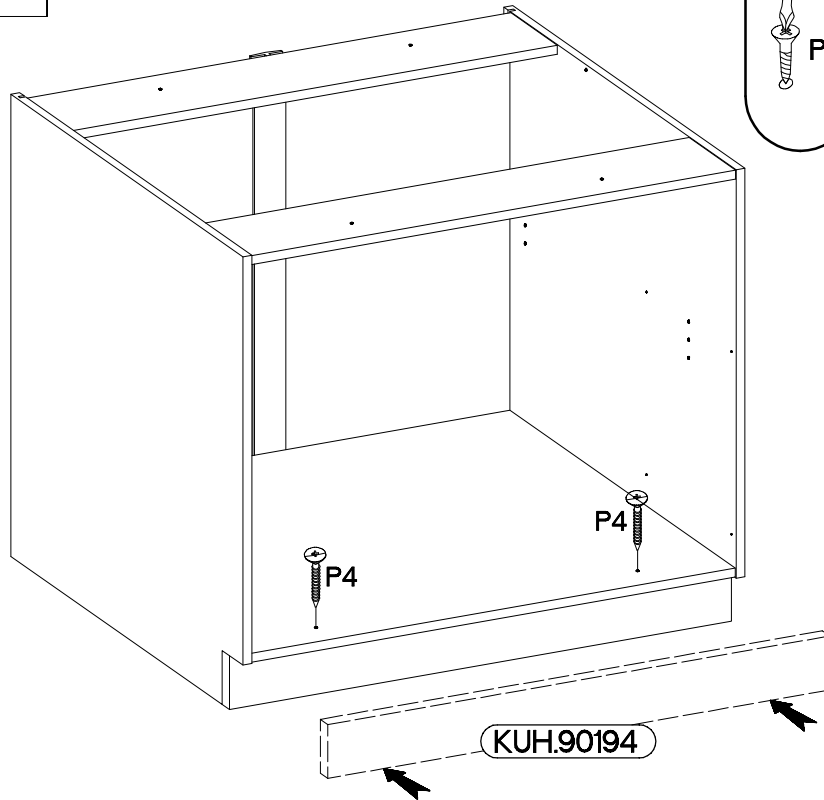
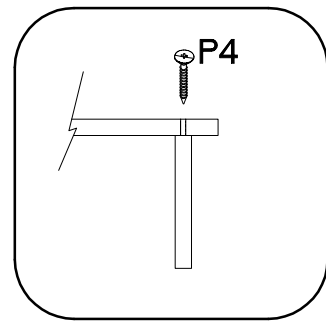
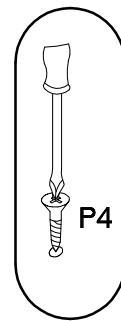


5




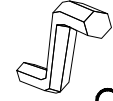


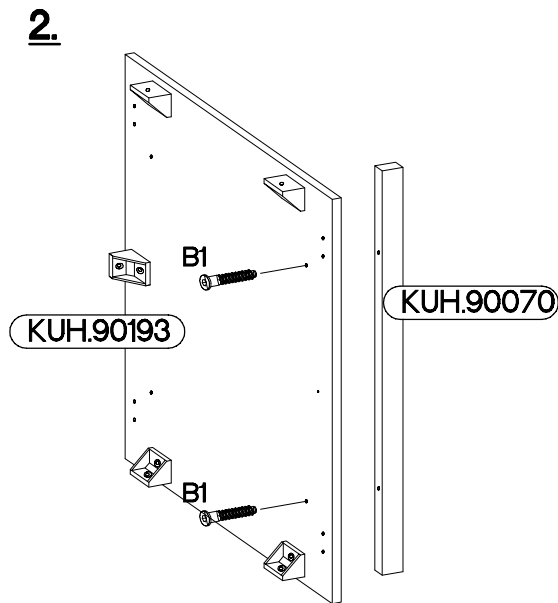
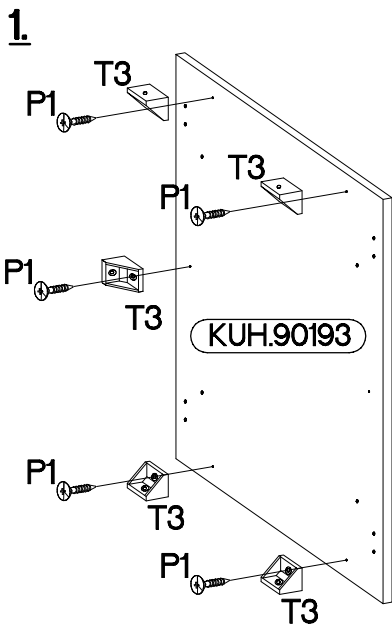
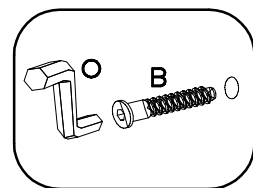
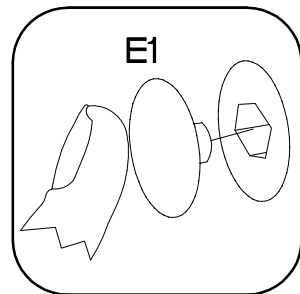
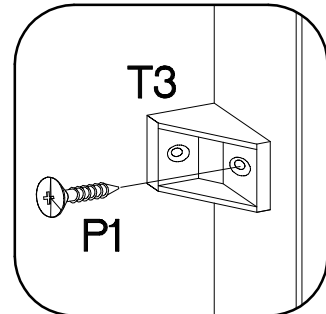
6

$\pm 4.0 \times 45 \text{mm}$  P4 2	 E9 2
--	---



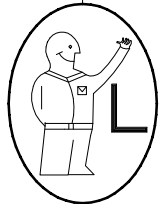
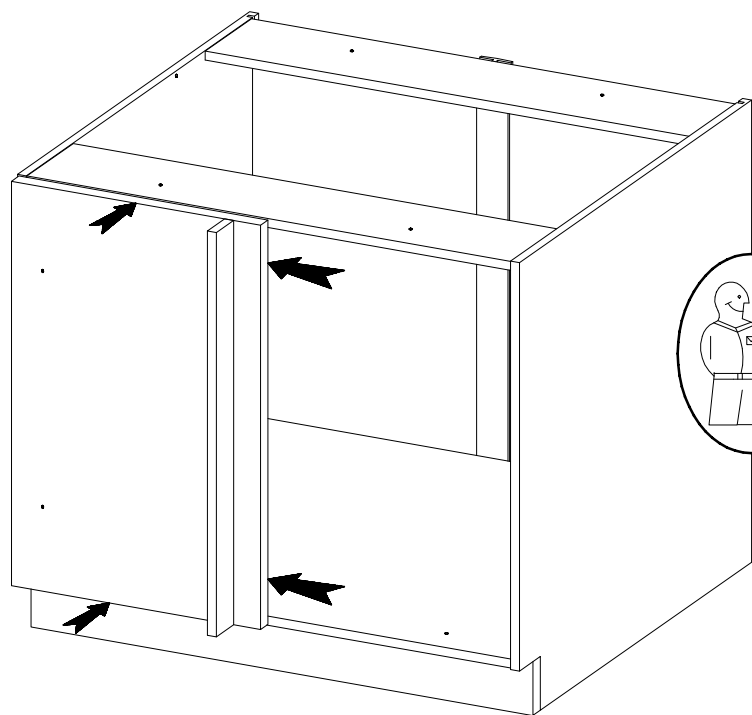
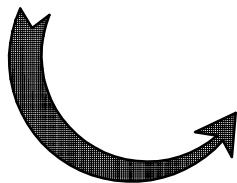
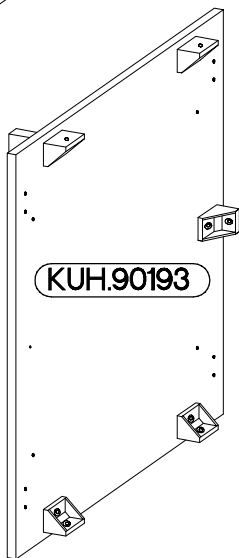
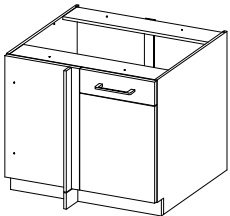
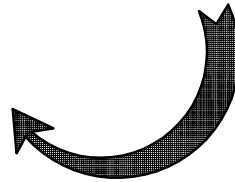
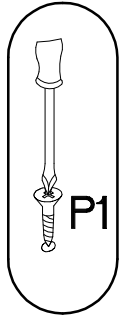
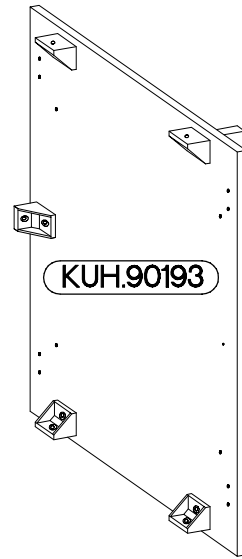
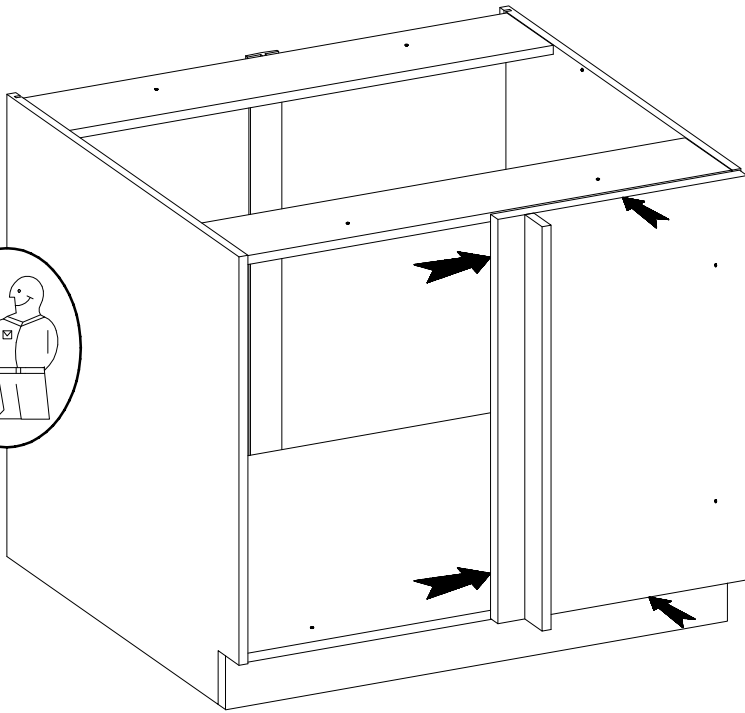
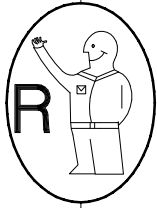
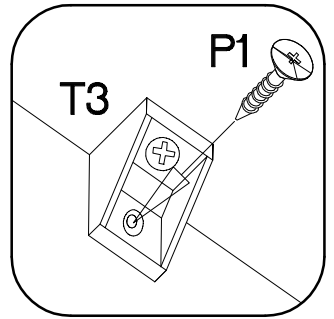
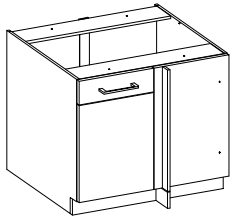
7

 T3 5	$\pm 4.0 \times 16 \text{mm}$  P1 5	$\pm 6.4 \times 35 \text{mm}$  B1 2	 O 1
--	---	---	---



8

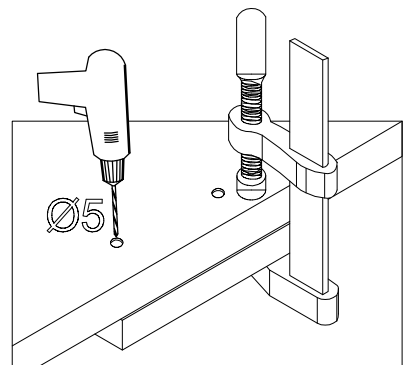
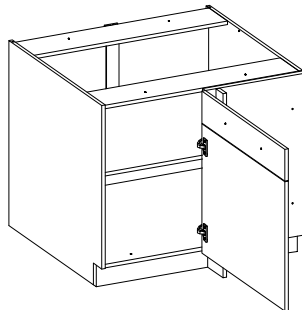
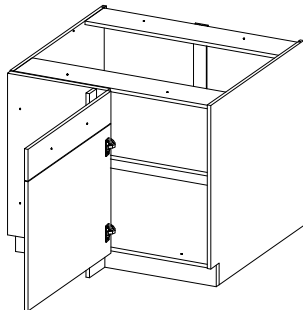
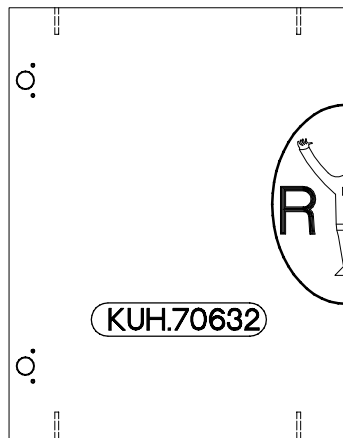
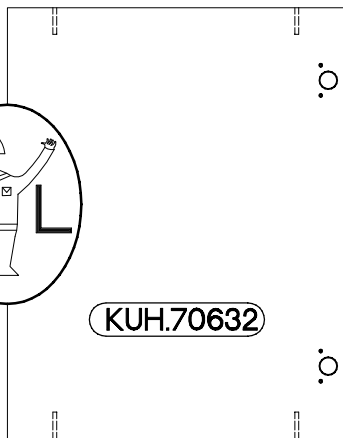
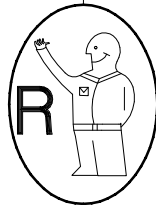
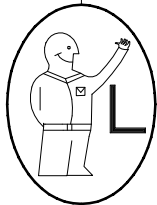
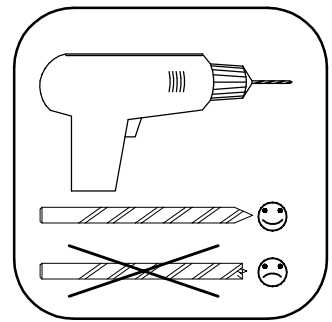
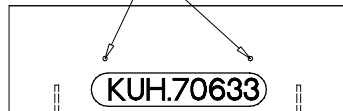
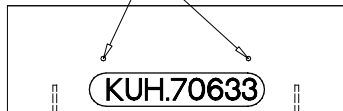
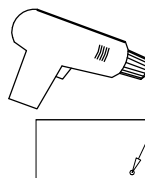
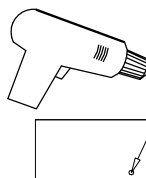
4.0x16mm
P1
5



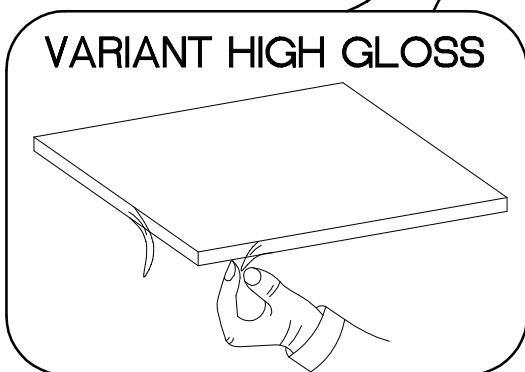
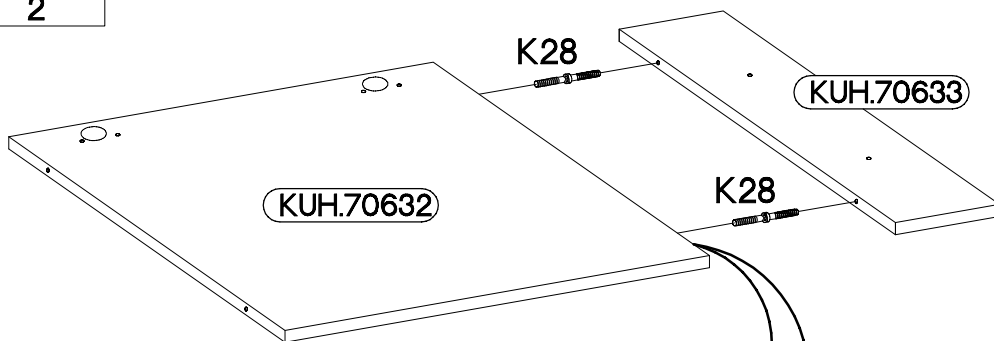
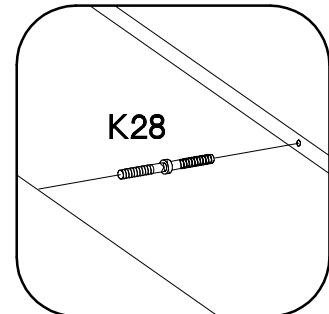
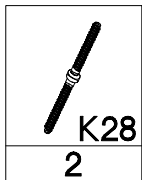
9

LEFT

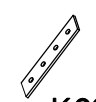

RIGHT

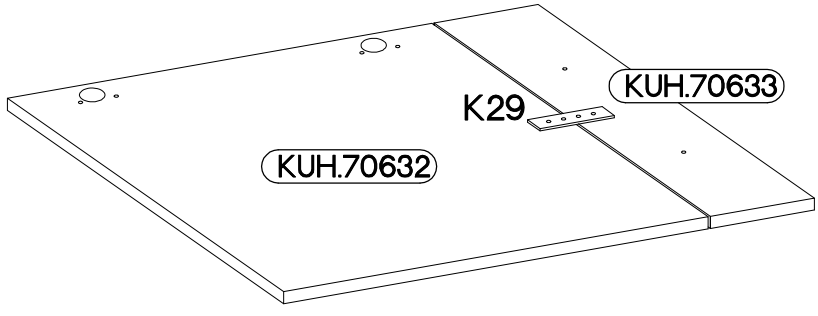
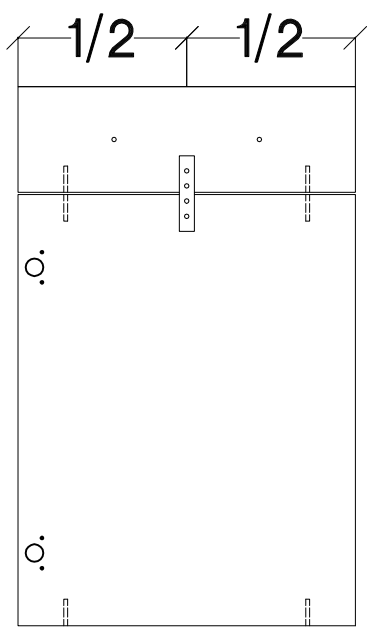
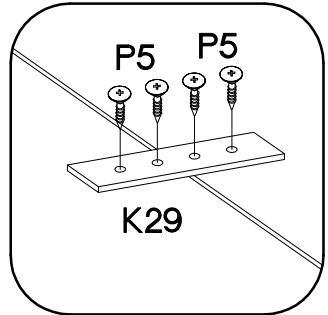
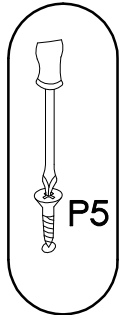


10





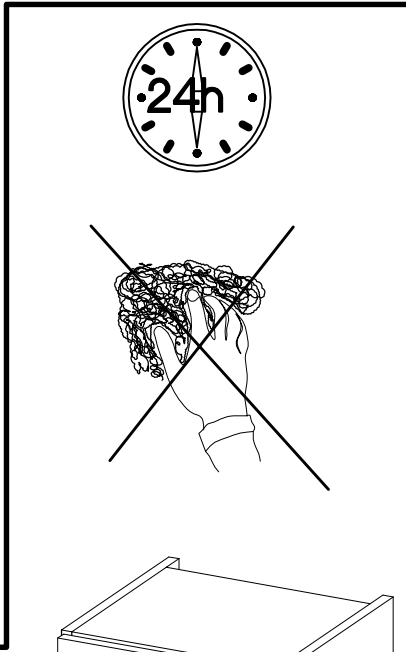
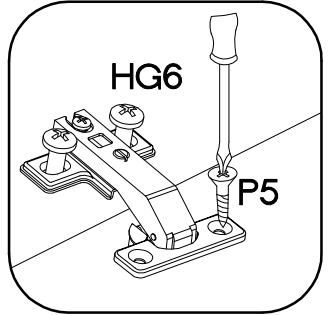
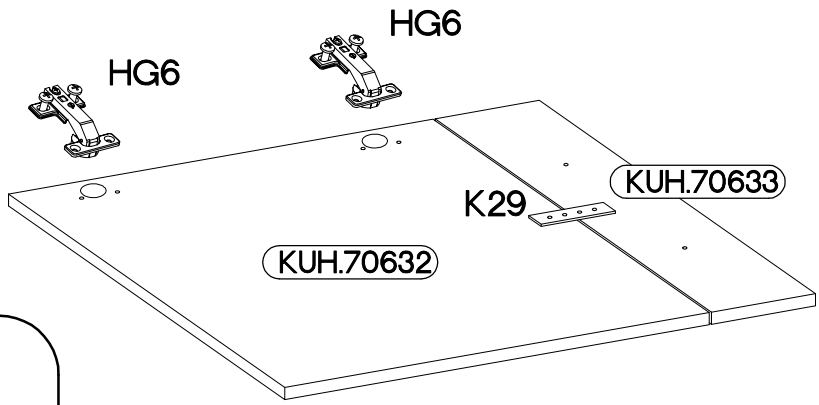
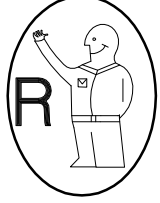
11

	$\pm 3.5 \times 13 \text{mm}$ 
K29	P5
1	4

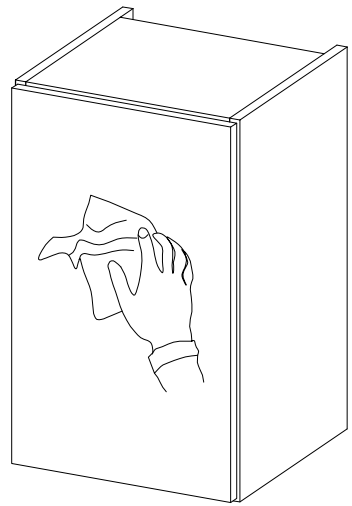
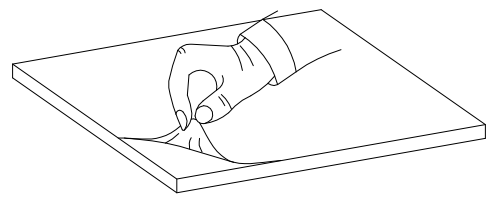
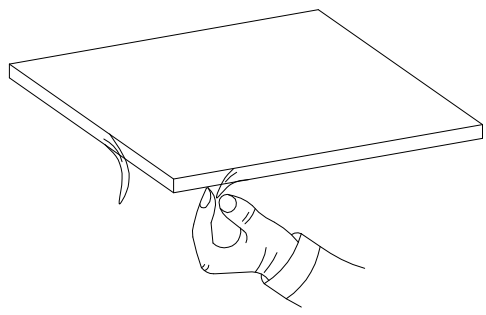



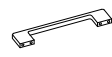
12

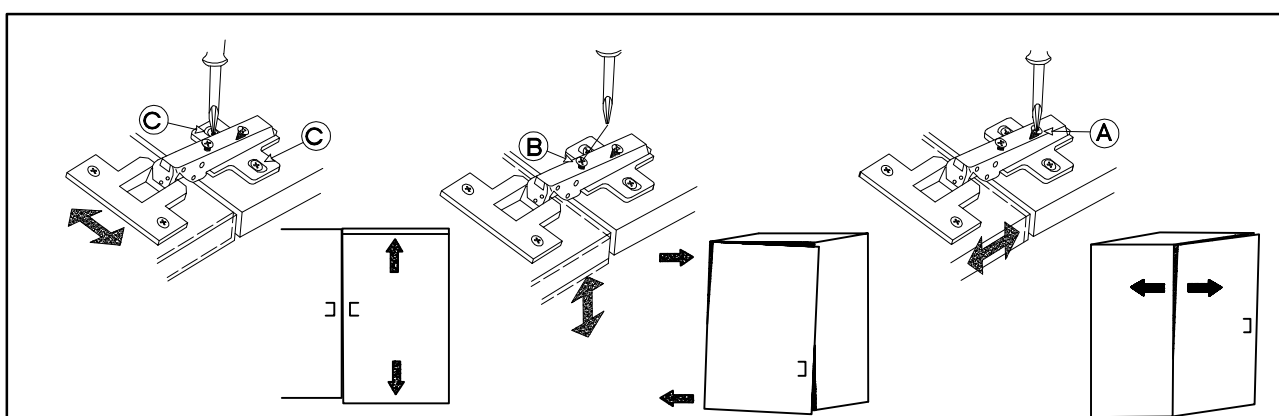
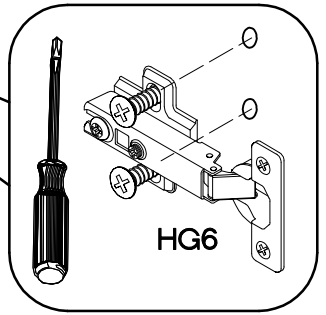
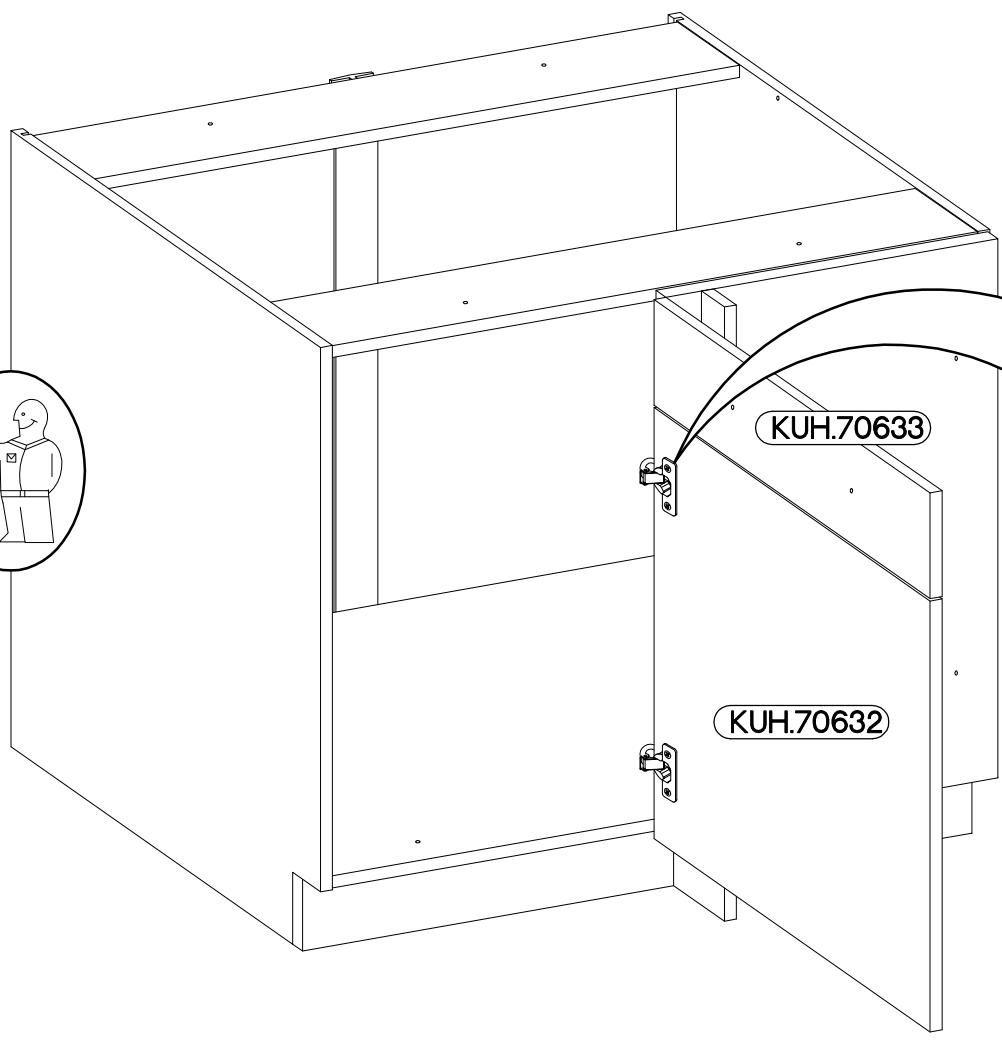
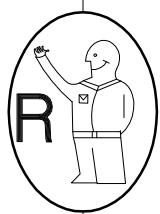
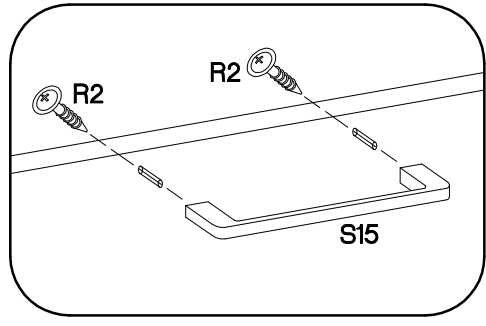
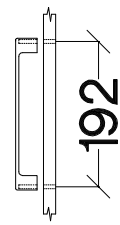
$\pm 35/90^\circ$ 	$\pm 3.5 \times 13 \text{mm}$ 
HG6	P5
2	4



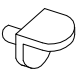
VARIANT HIGH GLOSS

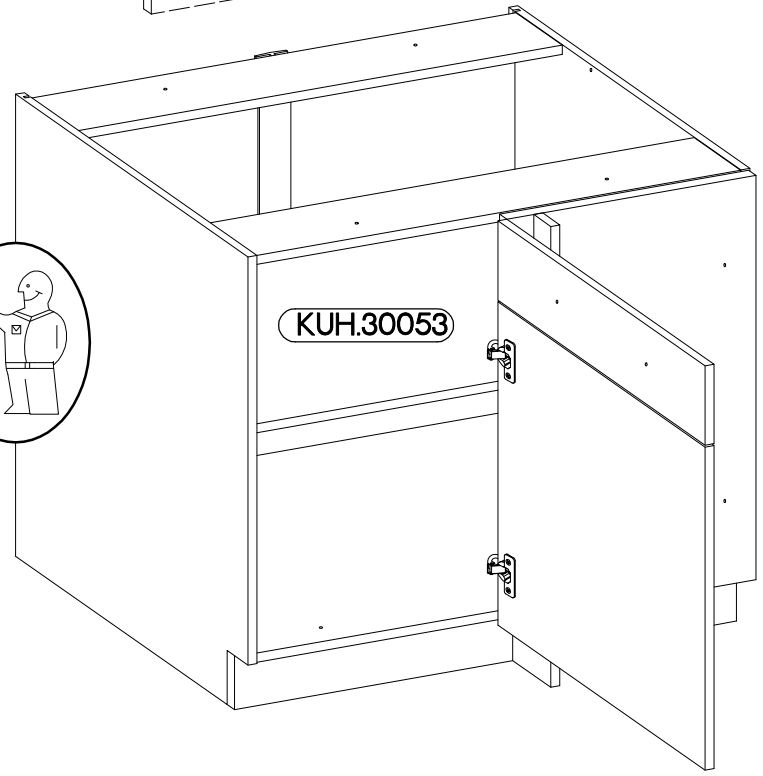
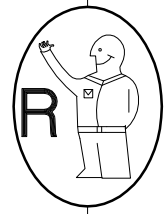
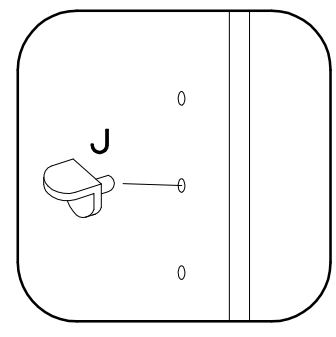
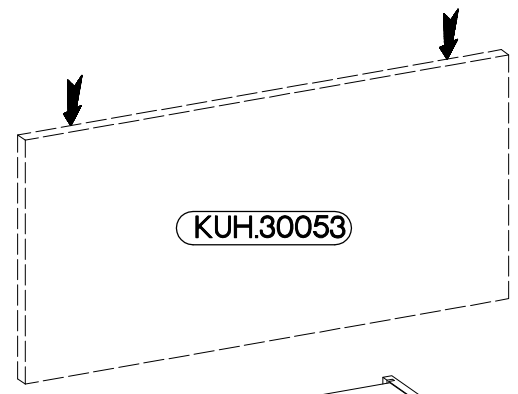


4.0x30mm	
	
R2	S15
2	1




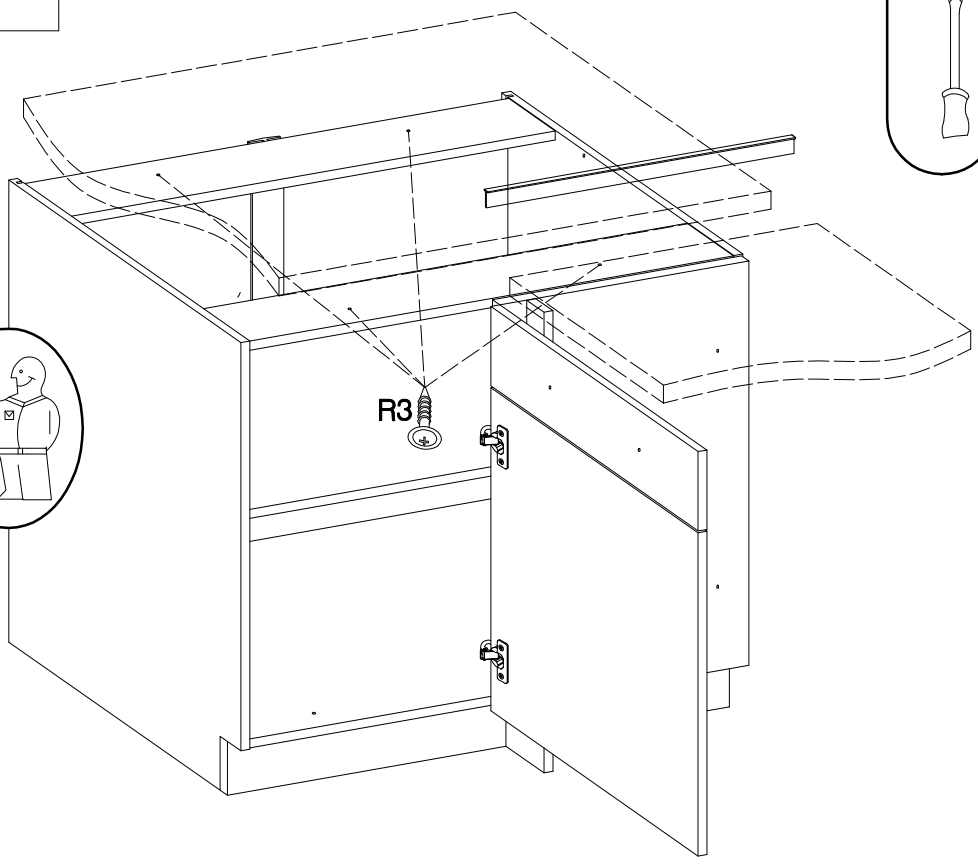
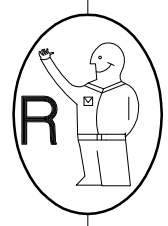
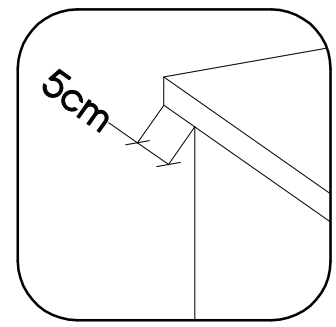
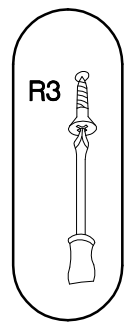
14



±5/19mm

 J
 4



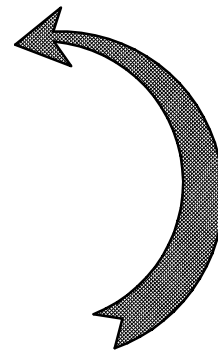
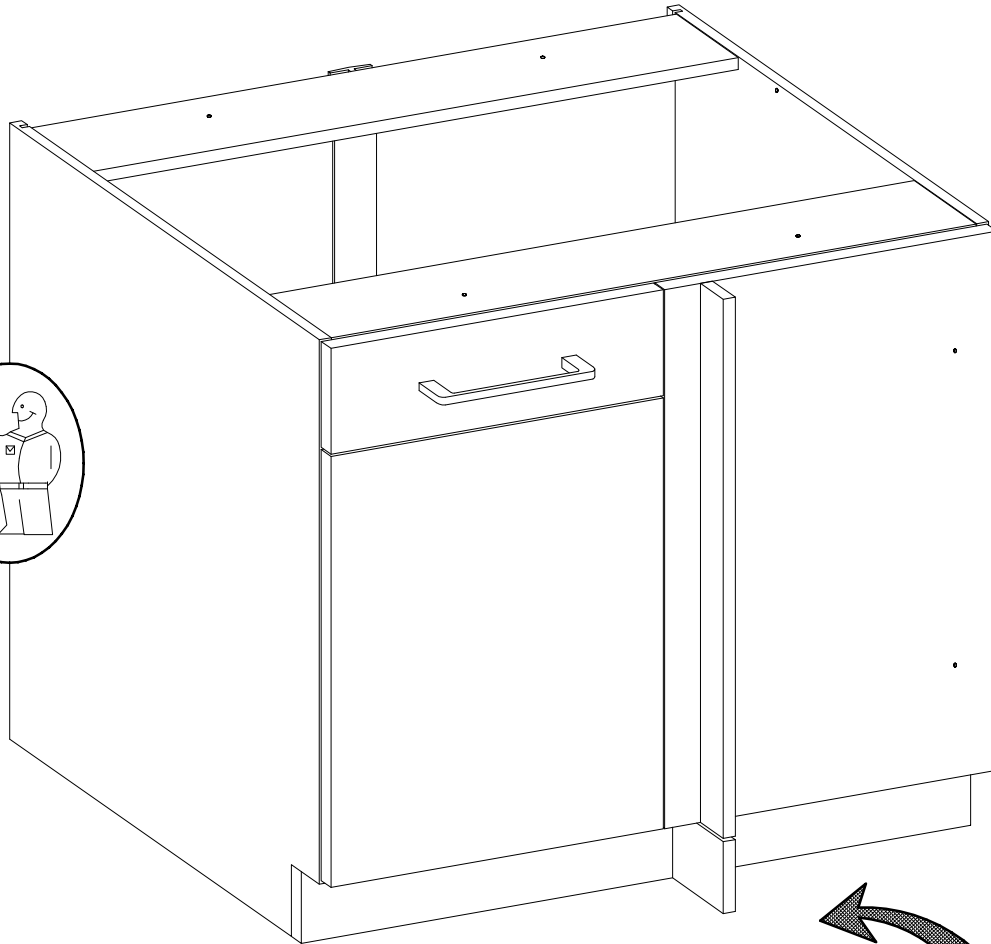
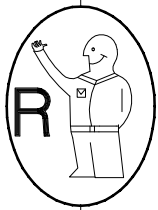
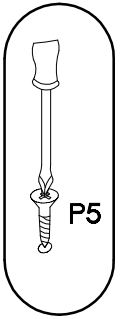
15

±4.0x35mm

 R3
 4

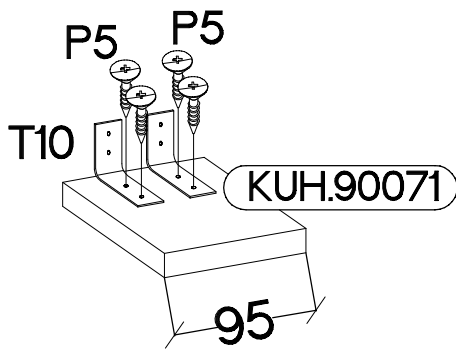


 T10	 P5
2	8

φ3.5x13mm



1.



2.

