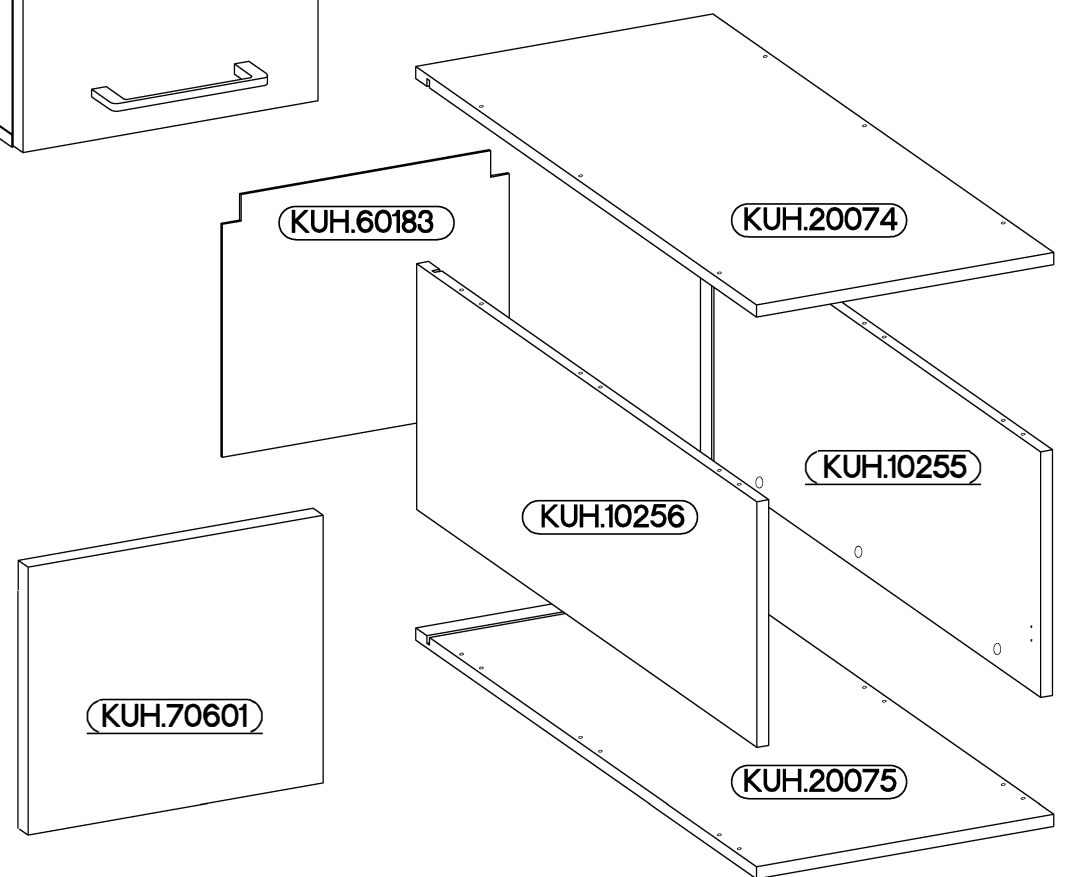
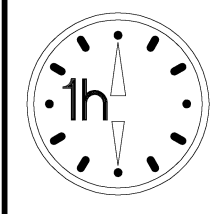
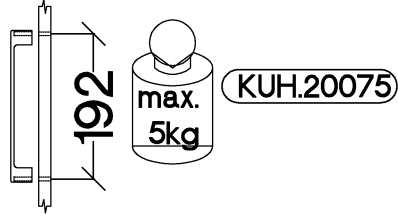
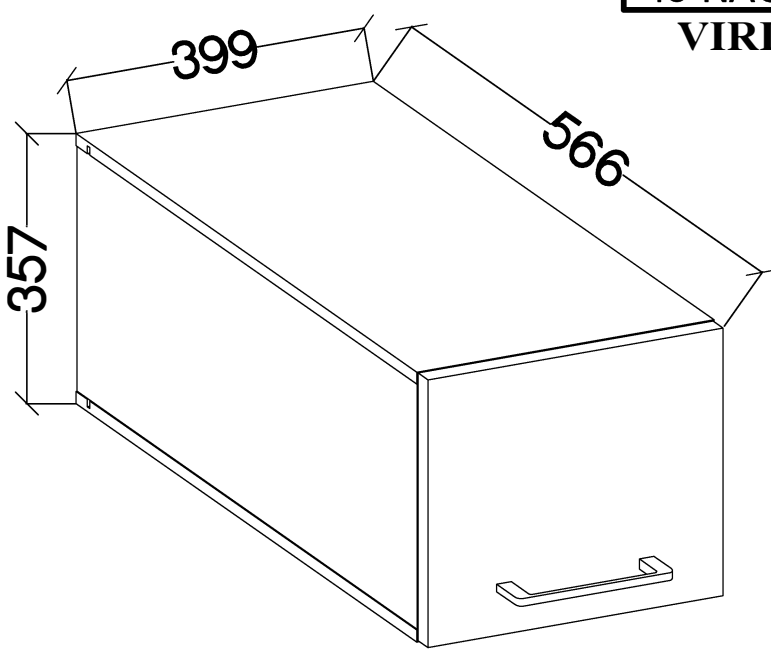


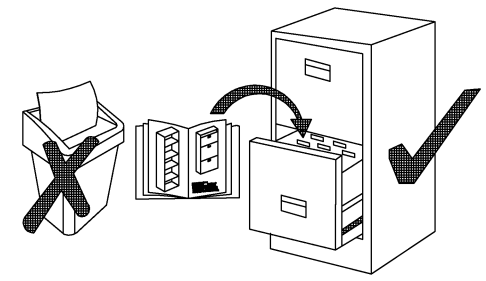
**40 NAGU-36
VIRION**

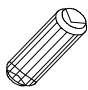
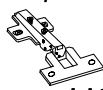

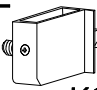
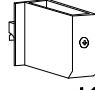
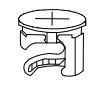



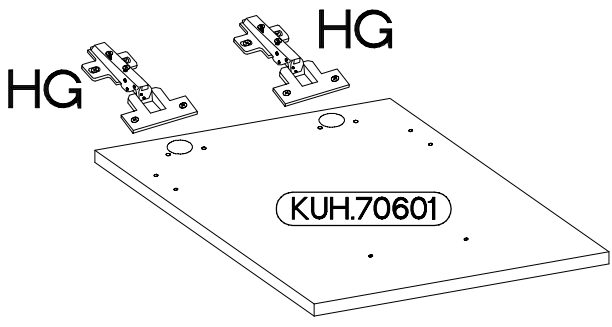
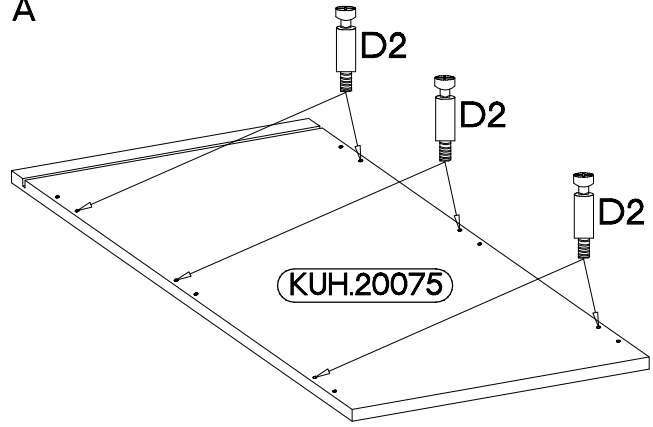
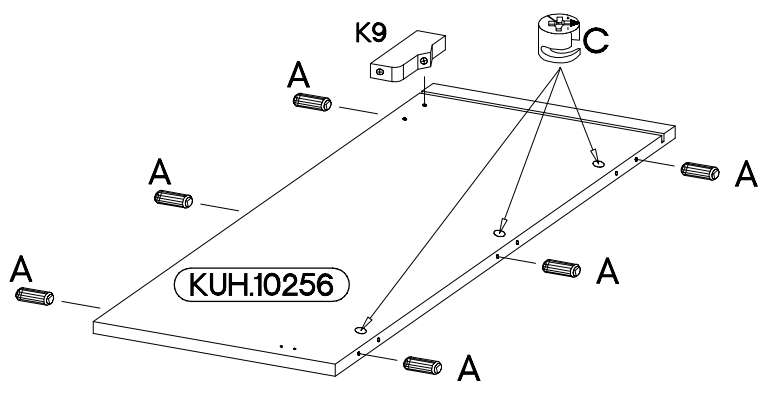
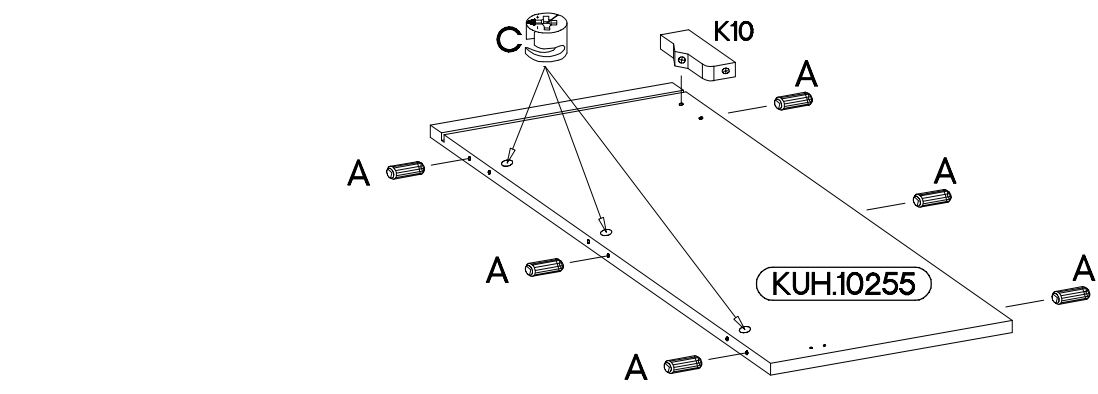
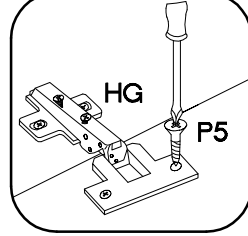
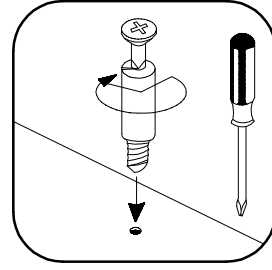
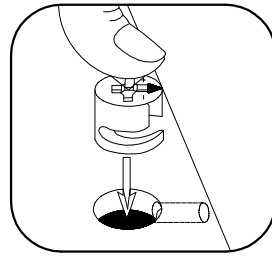
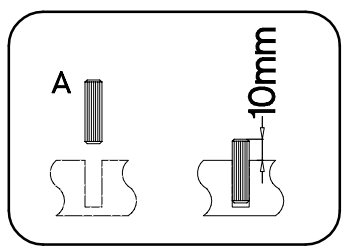
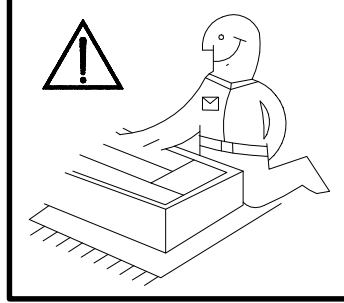
 A	 B
12	6

 C	 D2	 E	 HG	 K9	 K10
6	6	6	2	1	1

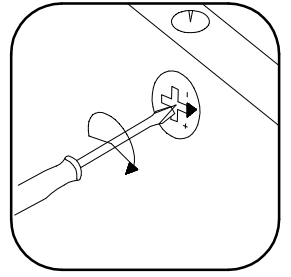
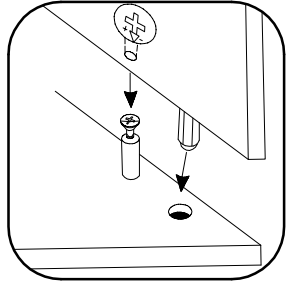
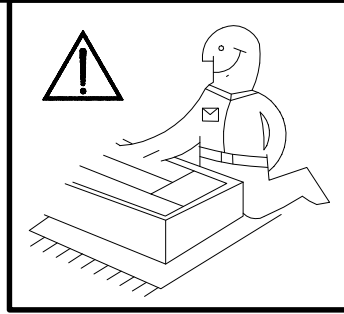
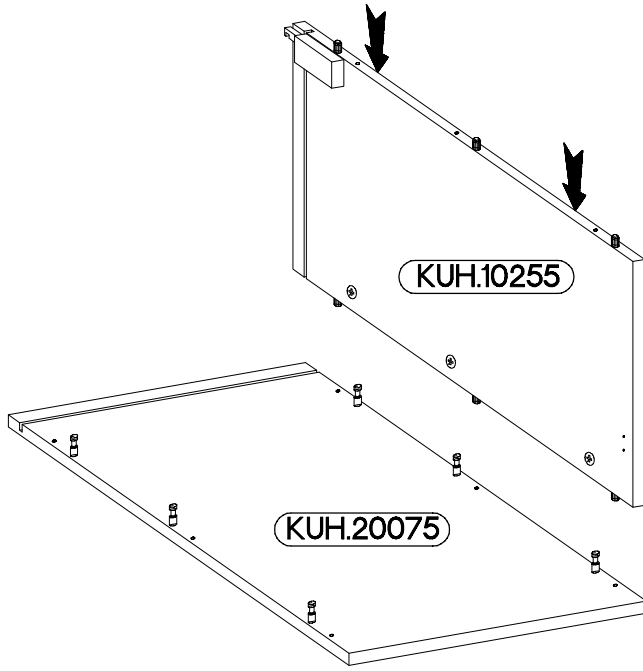
 K24	 L	 O	 P5	 R2	 S15
1	4	1	4	2	1



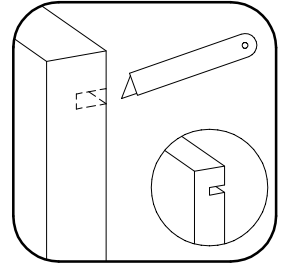
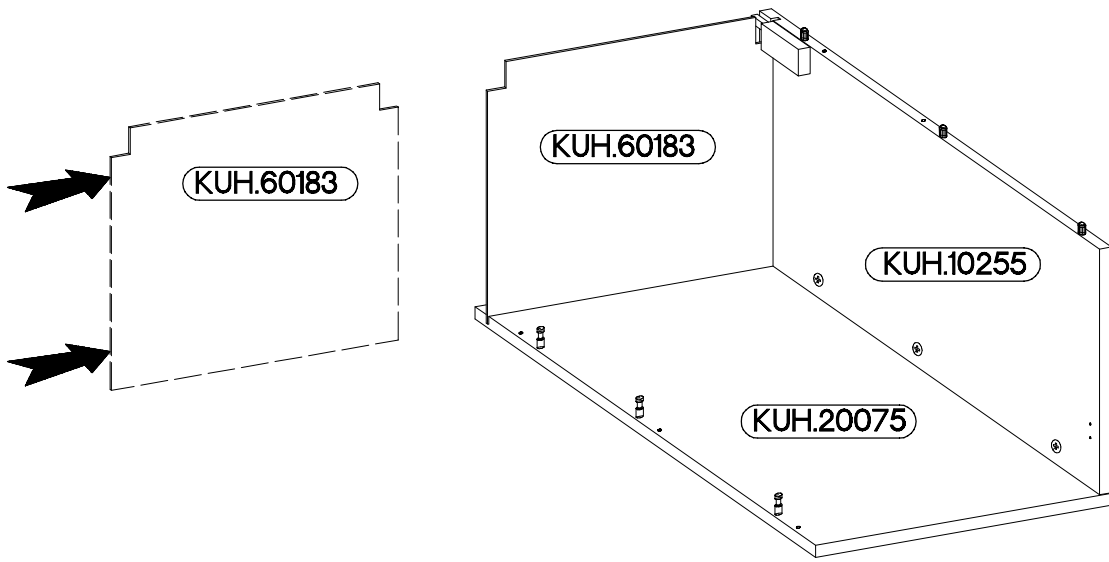
±8x30mm  A 12	±35/0mm  HG 2	±3.5x13mm  P5 4	L  K9 1	R  K10 1	±15/12mm  C 6	L=20mm  D2 6
--	--	--	--	---	--	--



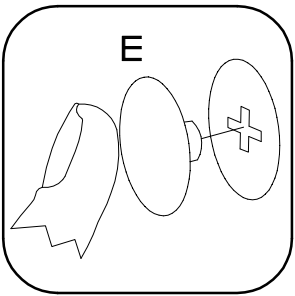
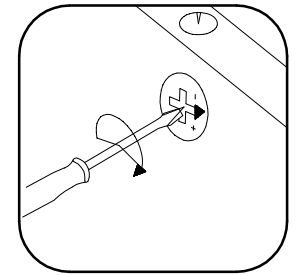
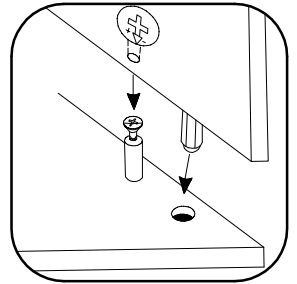
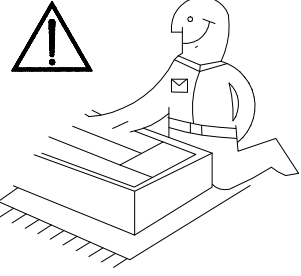
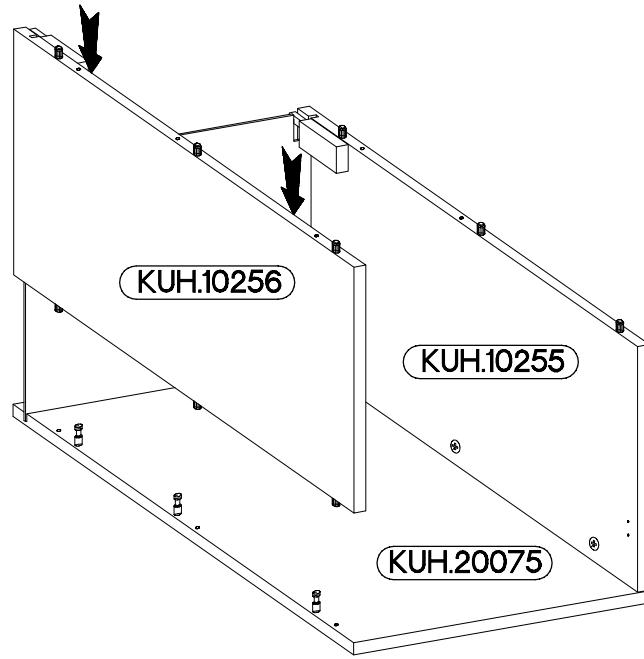
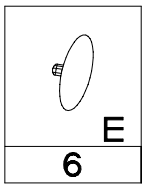
2



3

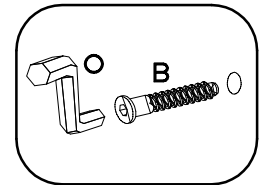
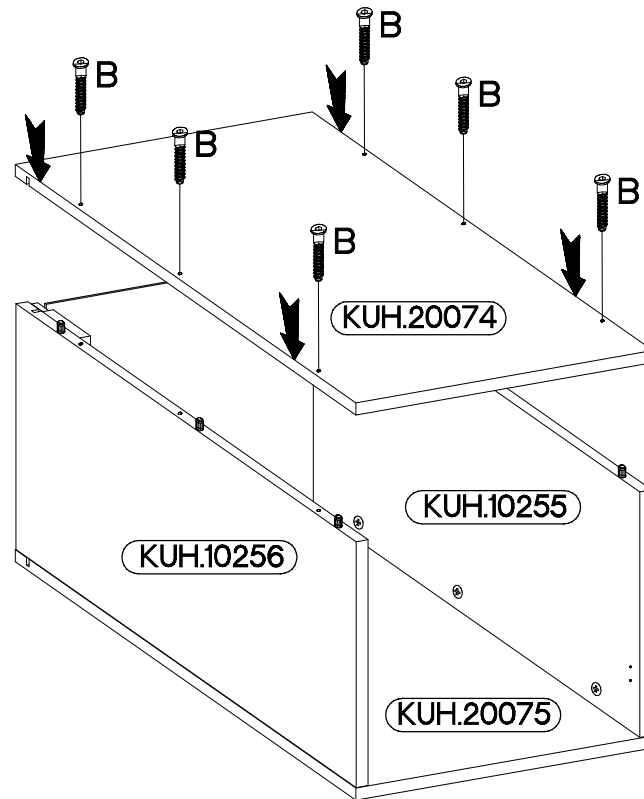
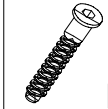


4

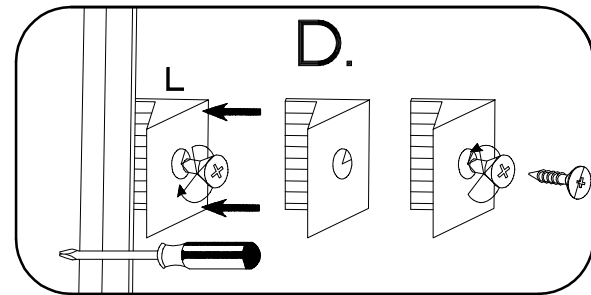
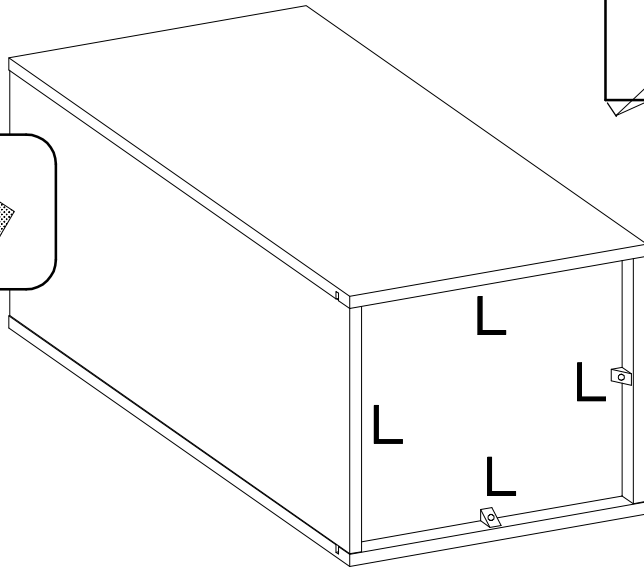
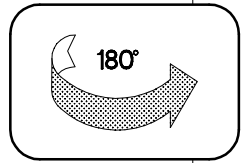
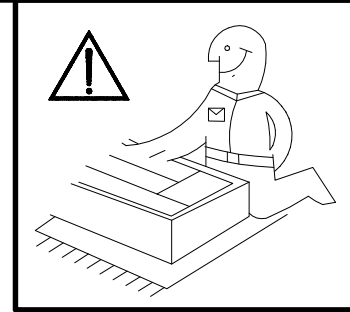
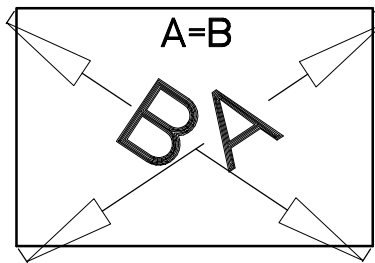
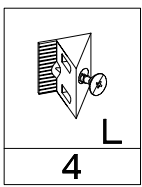


5

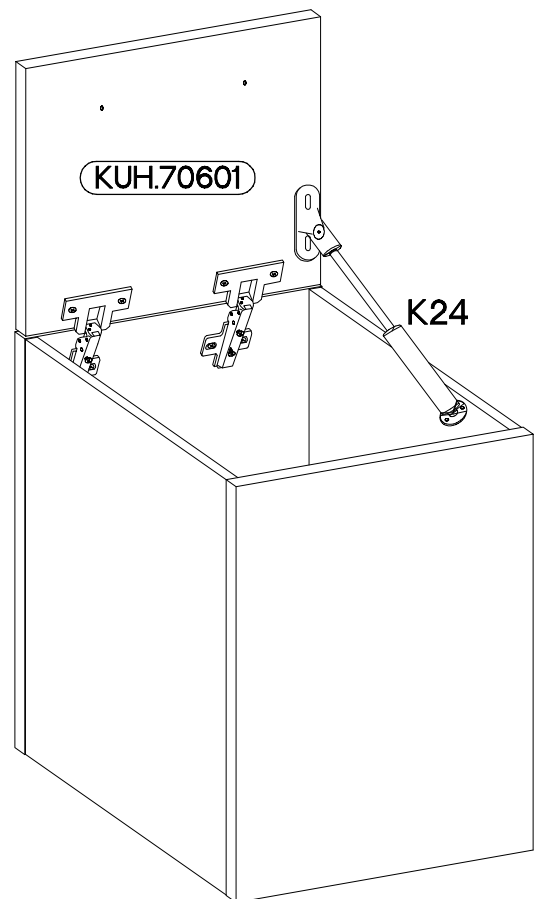
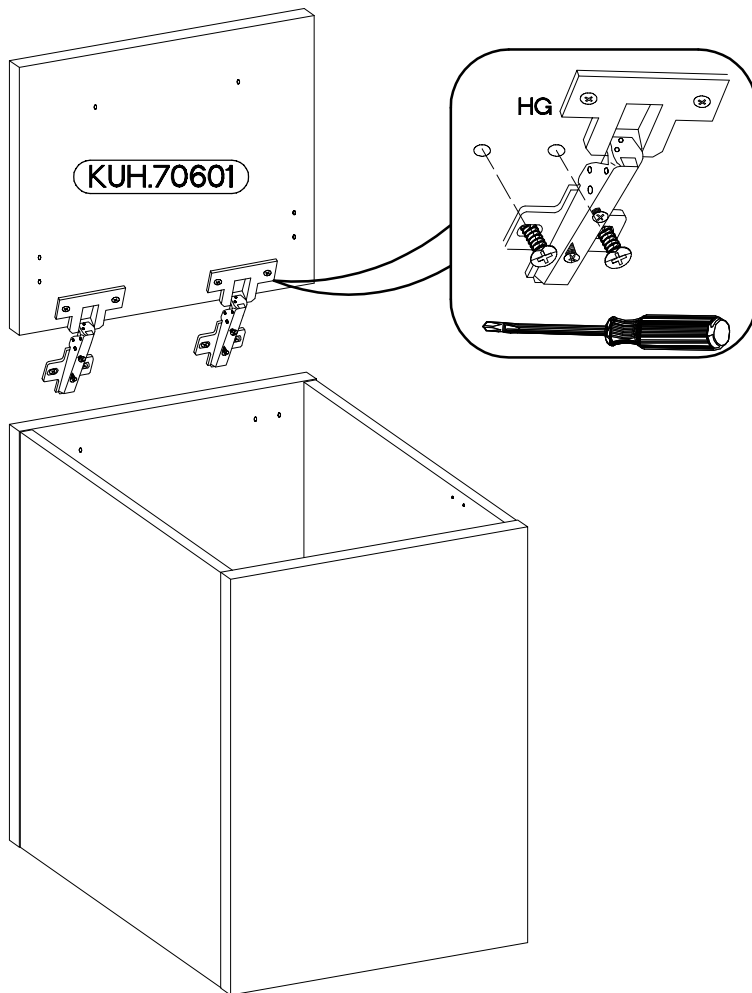
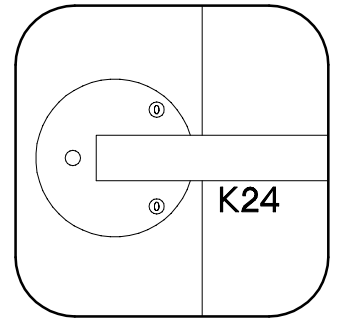
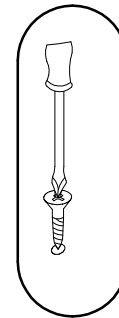
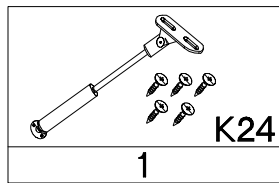
6,4 x 50mm





6

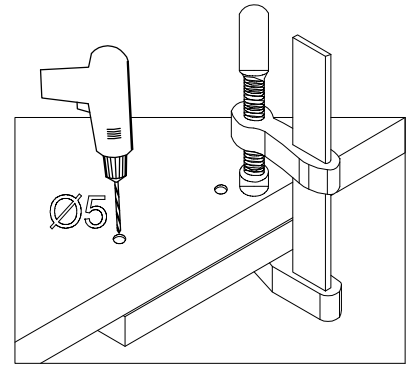
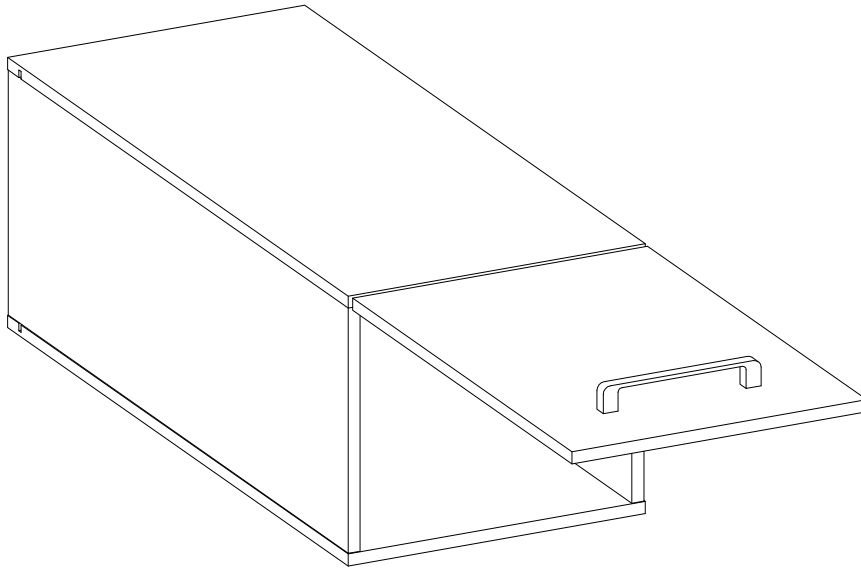
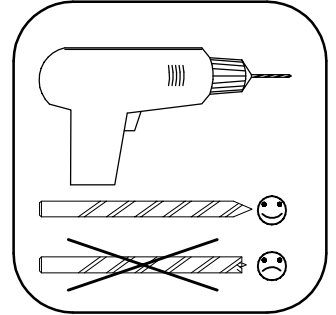
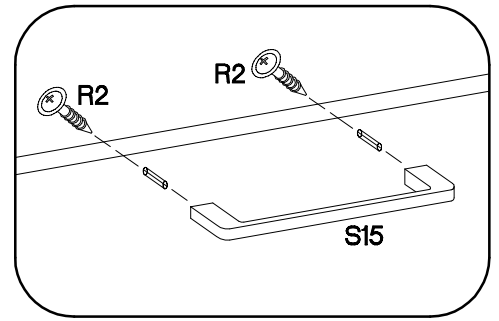


7



+4.0x30mm

	
R2	S15
2	1



VARIANT HIGH GLOSS

