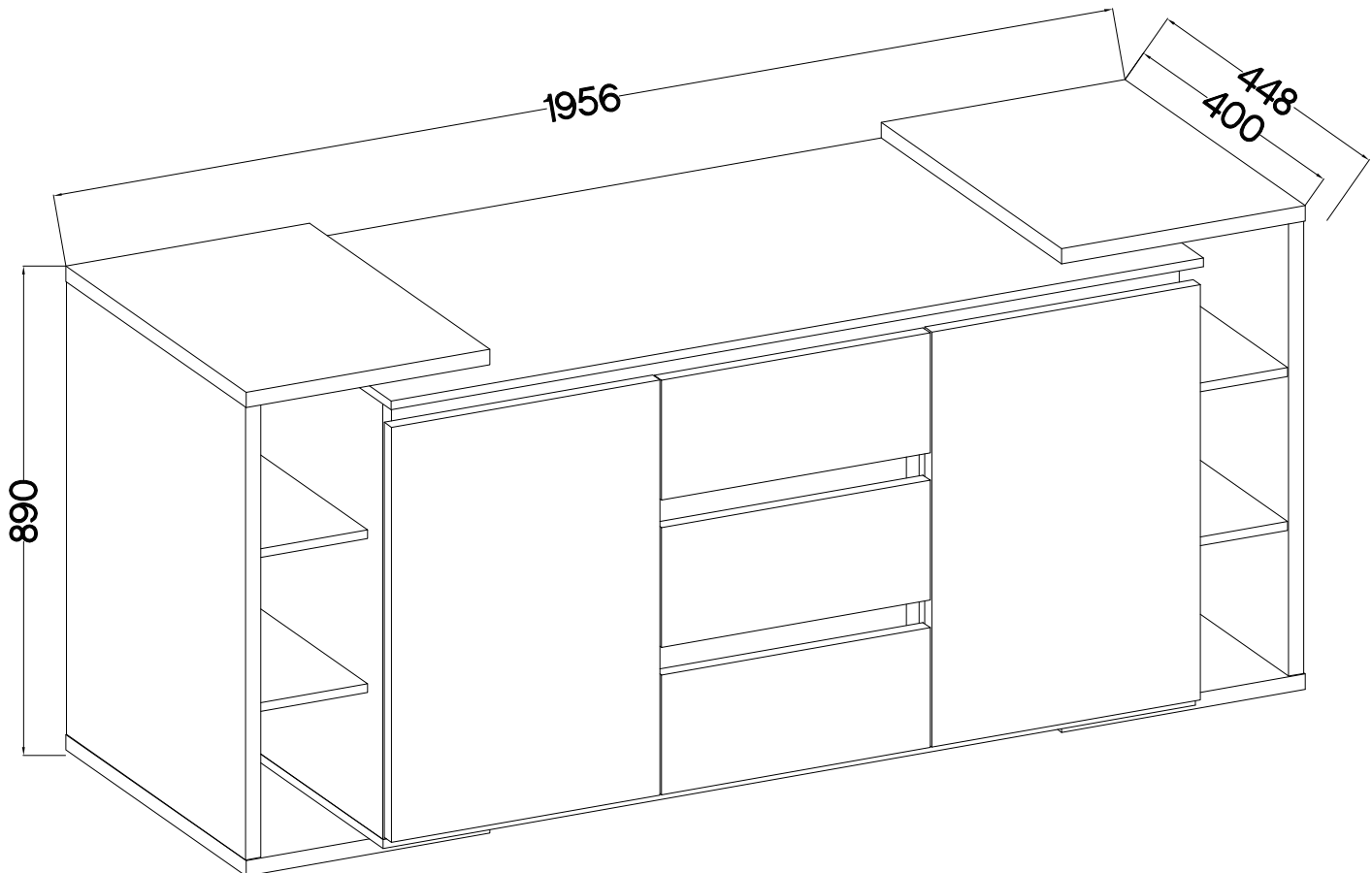
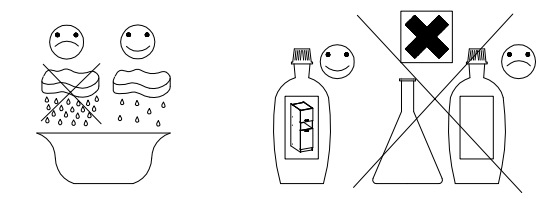
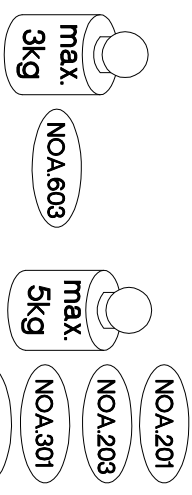
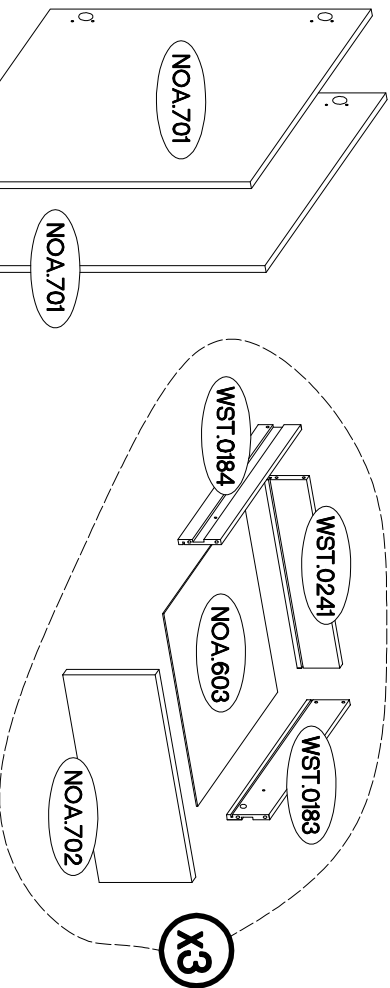
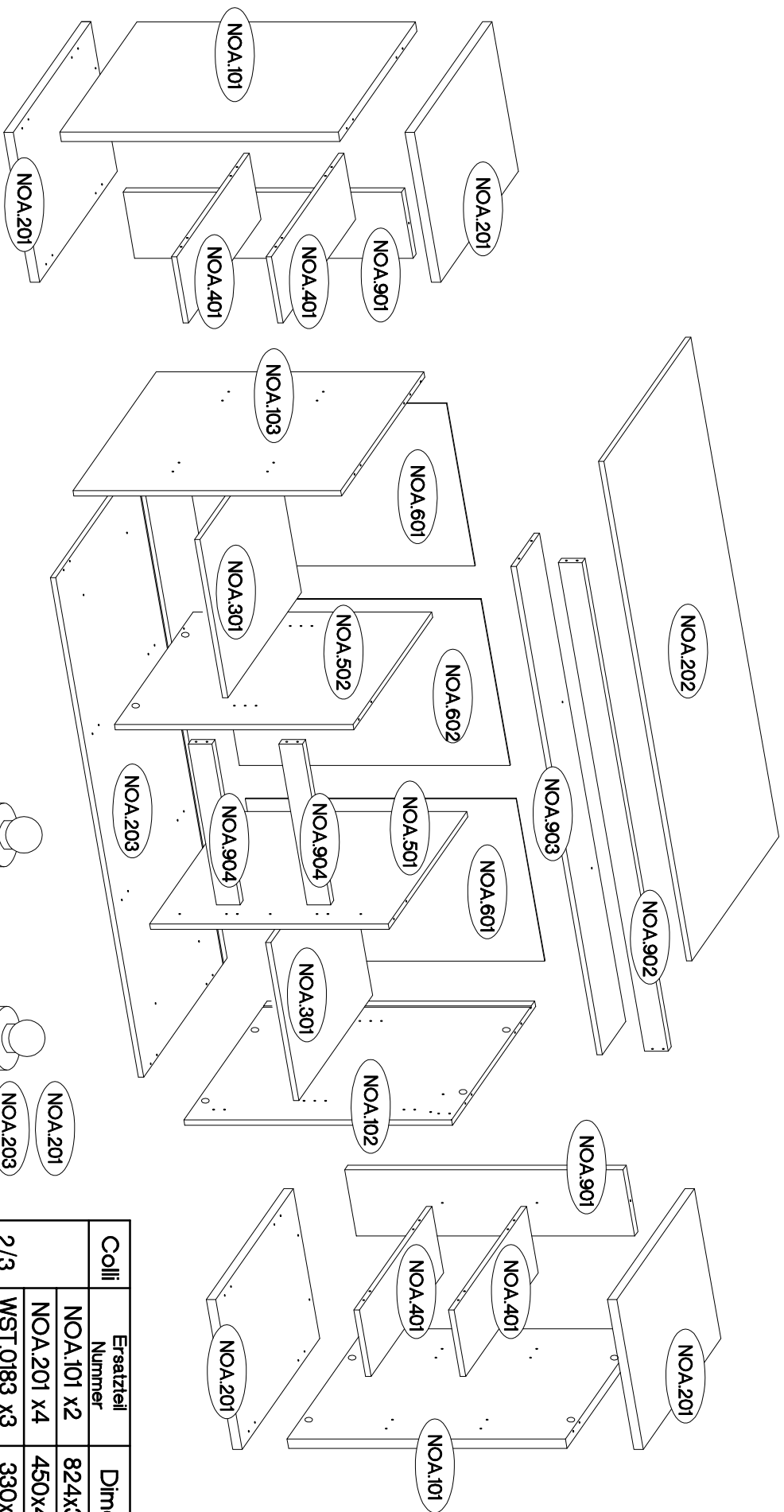


NANCY 801



 +8x30mm A 60	 6,4 x 50mm B 6	 +6x42mm B2 6	 +15/12mm C 46	 +12/10mm C5 6							
 L=20mm D2 52	 E ant. E szar. E 14 28	 E1 E13 4 4	 F28 8	 +35/0mm HG 4	 27/310mm I4 3	 +5/16mm J3 8	 +6,3x13mm M2 12	 L 24			
 L2 10	 L9 2	 O 1	 O1 O7 1 2	 +10x50mm +4.0x16mm P1 P5 20 10	 +3.5x13mm P7 10	 +3.0x20mm +3.5x25mm BLACK P25 8	 T3 2	 M4x9mm U1 6			

ISM-NOA-001


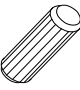



Coll.	Ersatzteil Nummer	Dimension
1/3	NOA.501	706x406x16
	NOA.502	706x406x16
	NOA.601 x2	801x488x2,5
	NOA.602	801x499x2,5
	NOA.701 x2	755x496x16
	NOA.702 x3	218x496x16
	NOA.901 x2	824x199x16
	NOA.904 x2	483x70x16

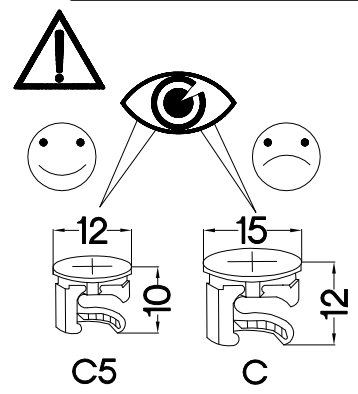
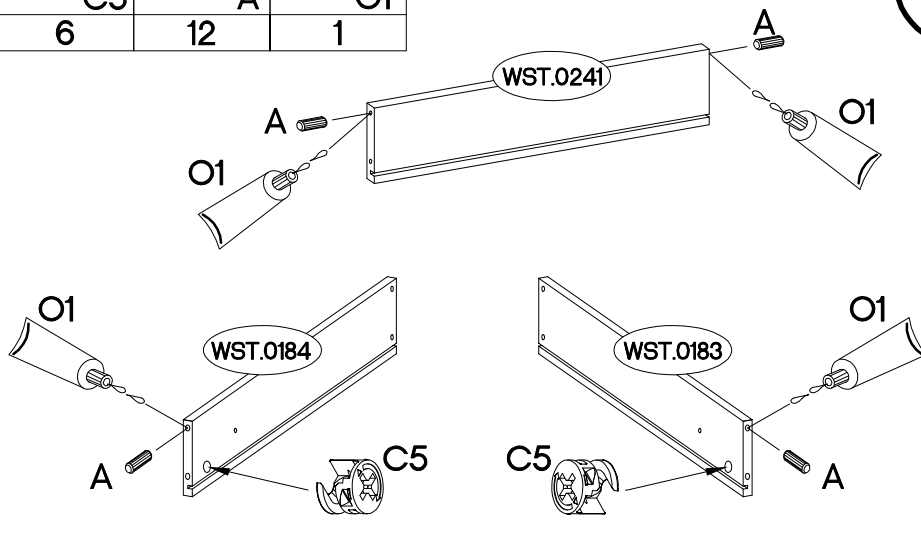
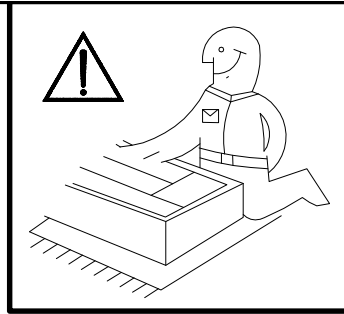
Coll.	Ersatzteil Nummer	Dimension
2/3	NOA.101 x2	824x398x28
	NOA.201 x4	450x400x28
	WST.0183 x3	330x100x12
	WST.0184 x3	330x100x12
	WST.0241 x3	450x100x12

Coll.	Ersatzteil Nummer	Dimension
3/3	NOA.102	792x429x16
	NOA.103	792x429x16
	NOA.202	1500x448x16
	NOA.203	1500x430x16
	NOA.301 x2	475x380x16
	NOA.401 x4	199x374x16
	NOA.603 x3	460x327x2,5
	NOA.902	1467x70x16
	NOA.903	1467x120x16



1

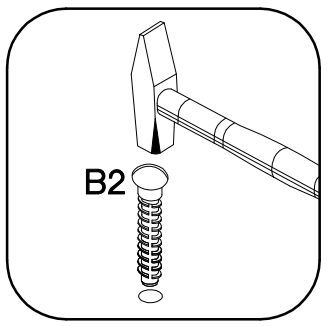
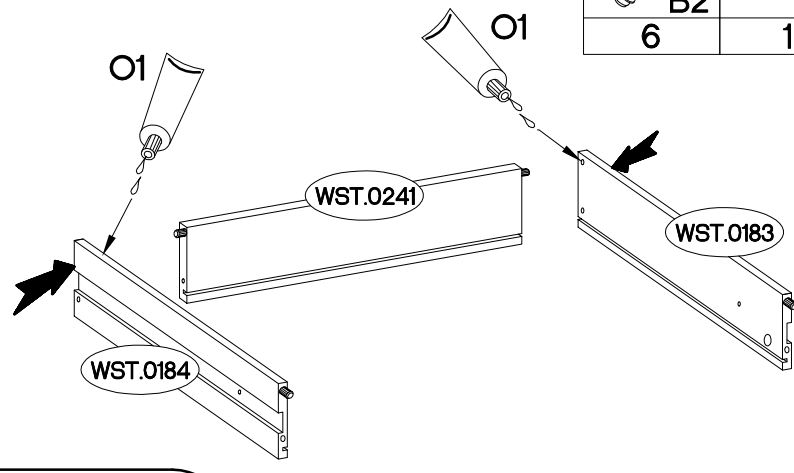
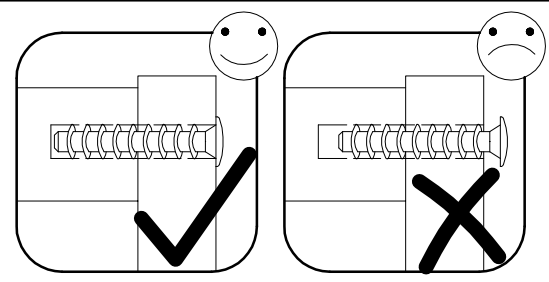
±12/10mm  C5 6	±8x30mm  A 12	 O1 1
---	--	---

x3

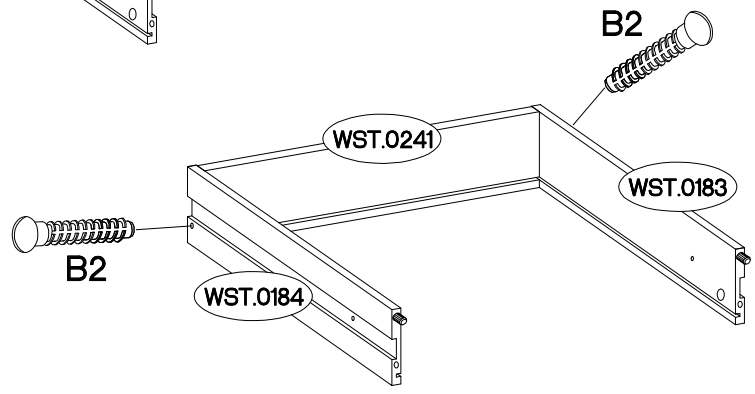


2

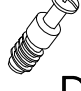
±6x42mm  B2 6	 O1 1
---	--

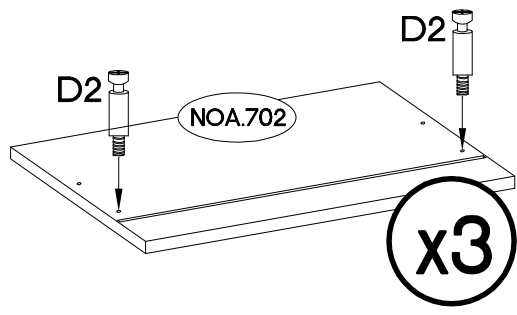
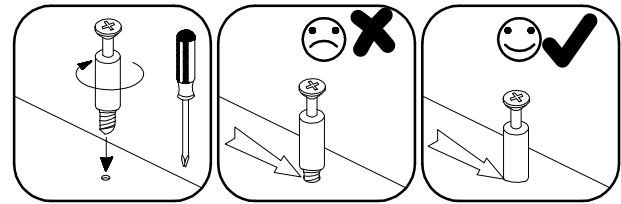


x3



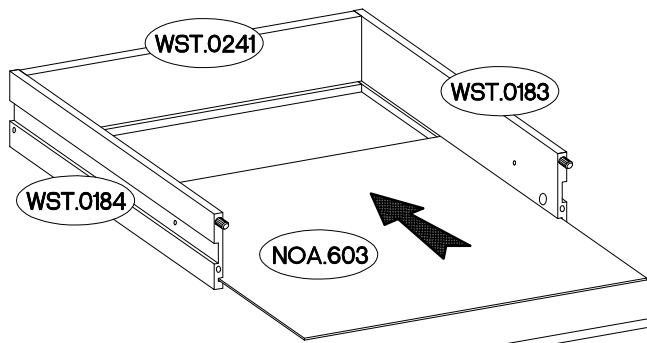
3

L=20mm  D2 6
--

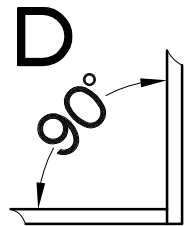
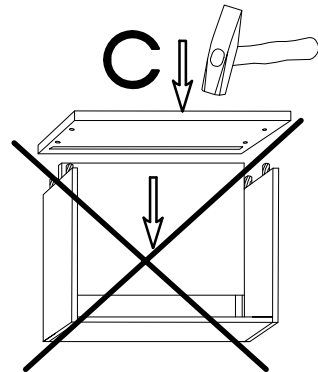
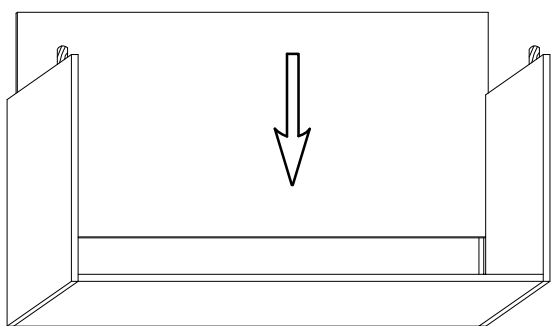
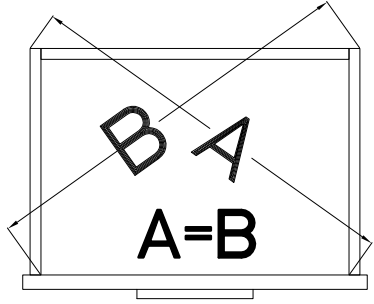
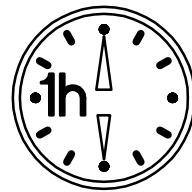
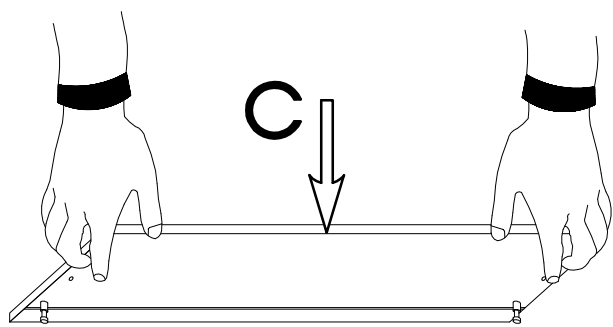
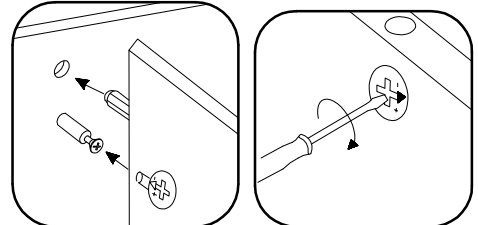
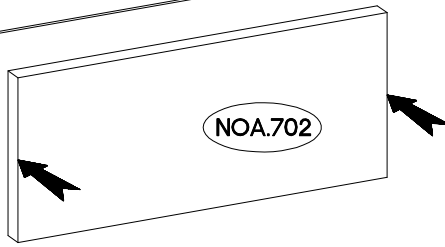
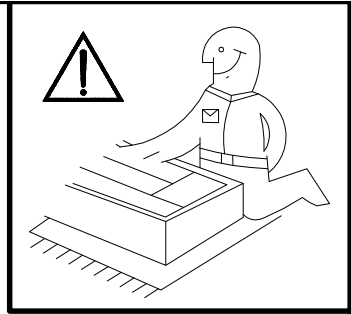


x3

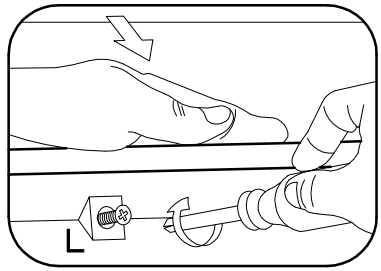
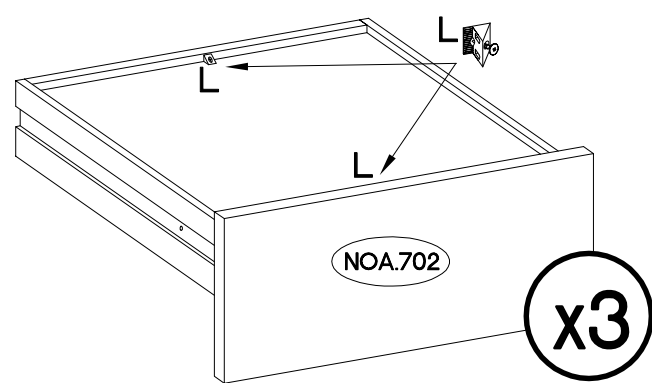
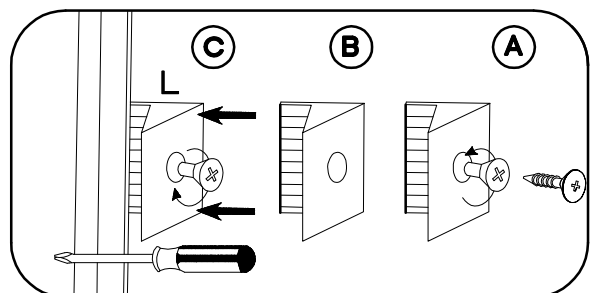
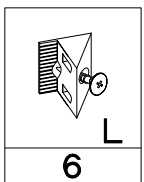
4



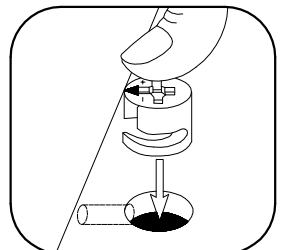
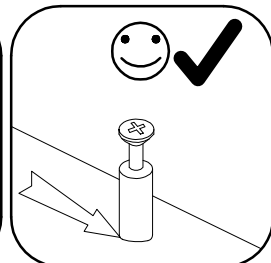
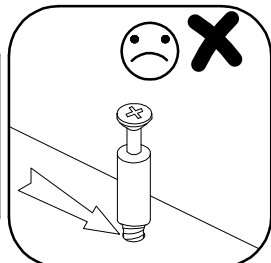
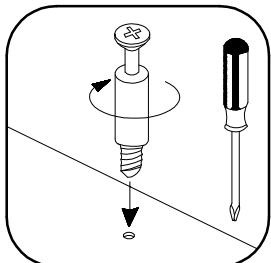
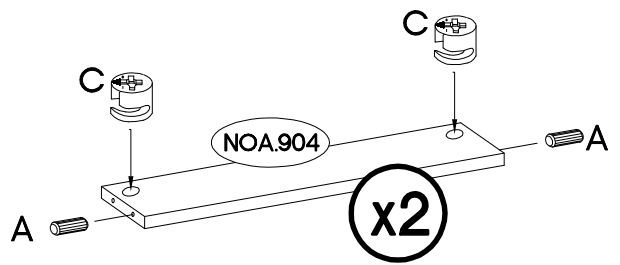
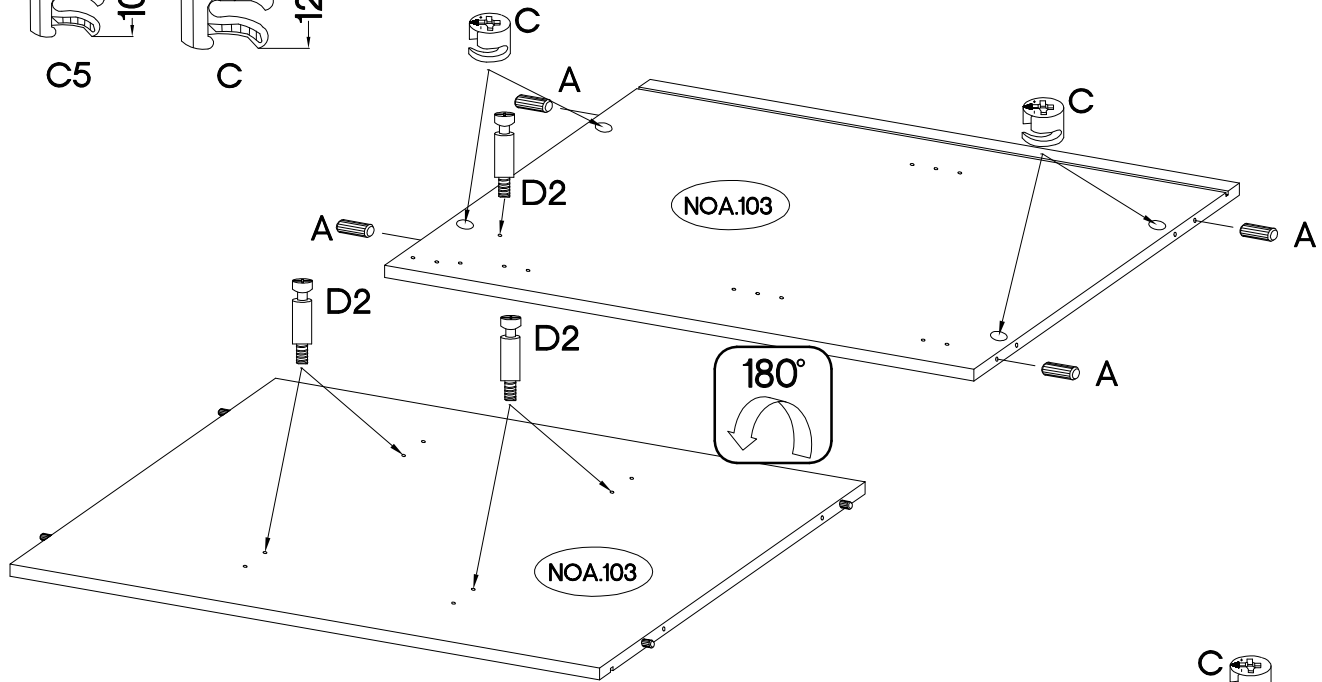
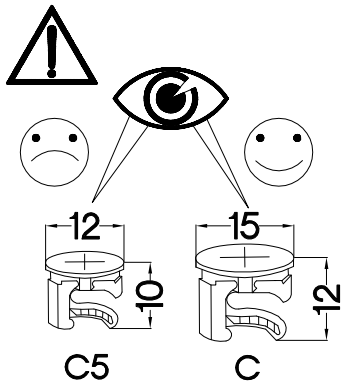
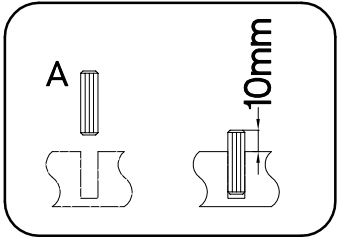
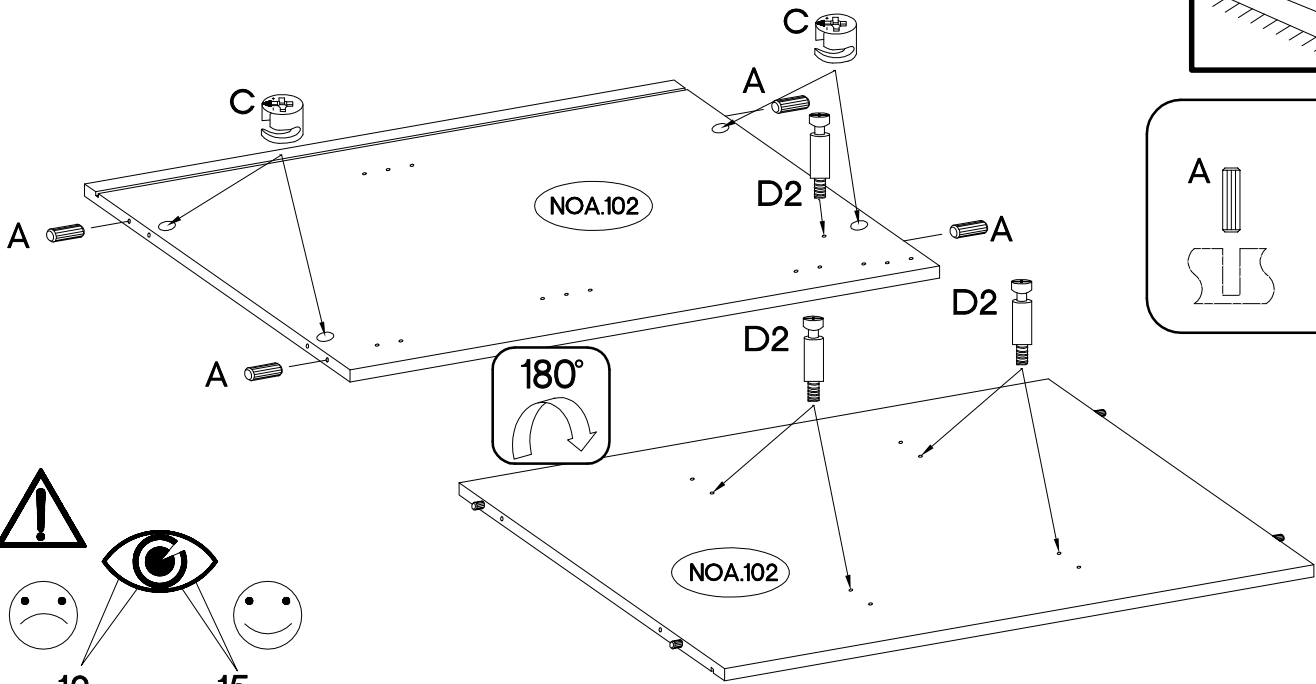
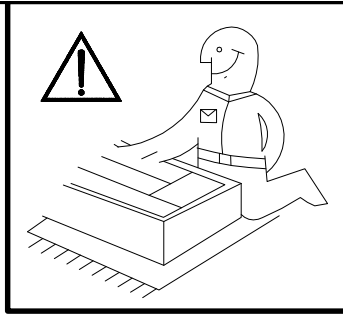
x3

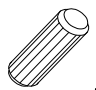
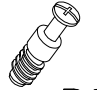

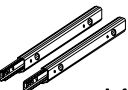



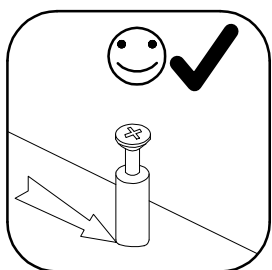
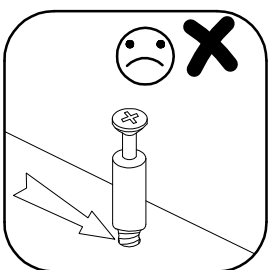
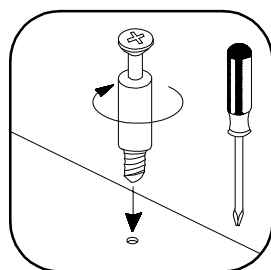
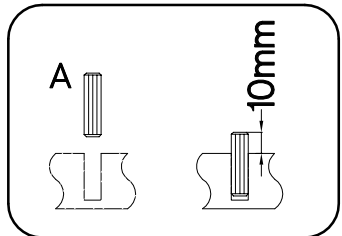
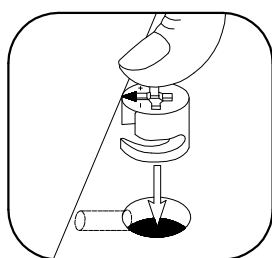
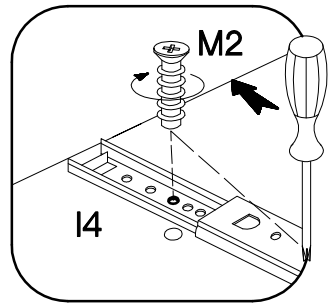
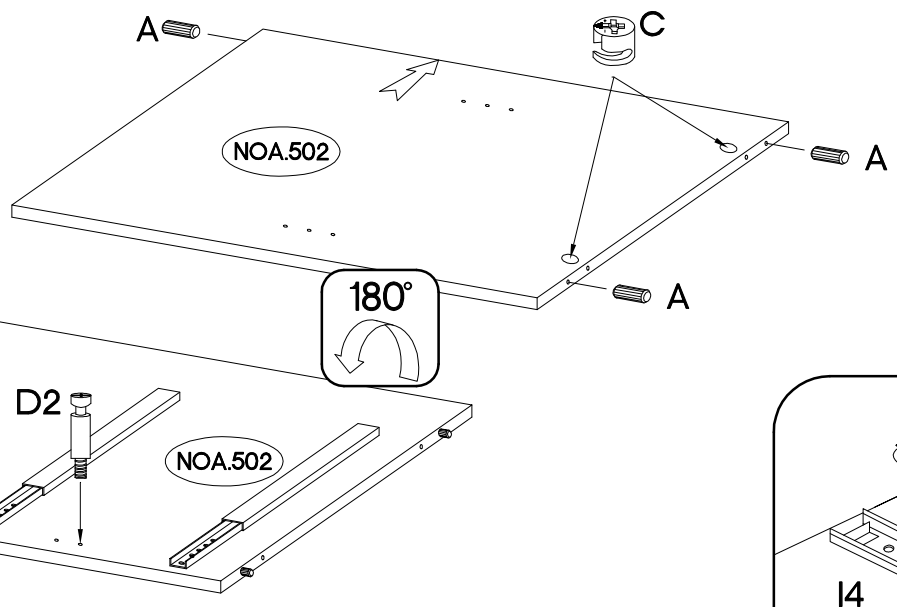
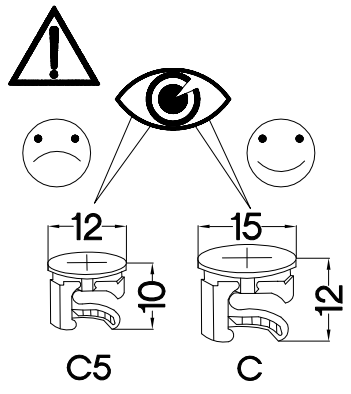
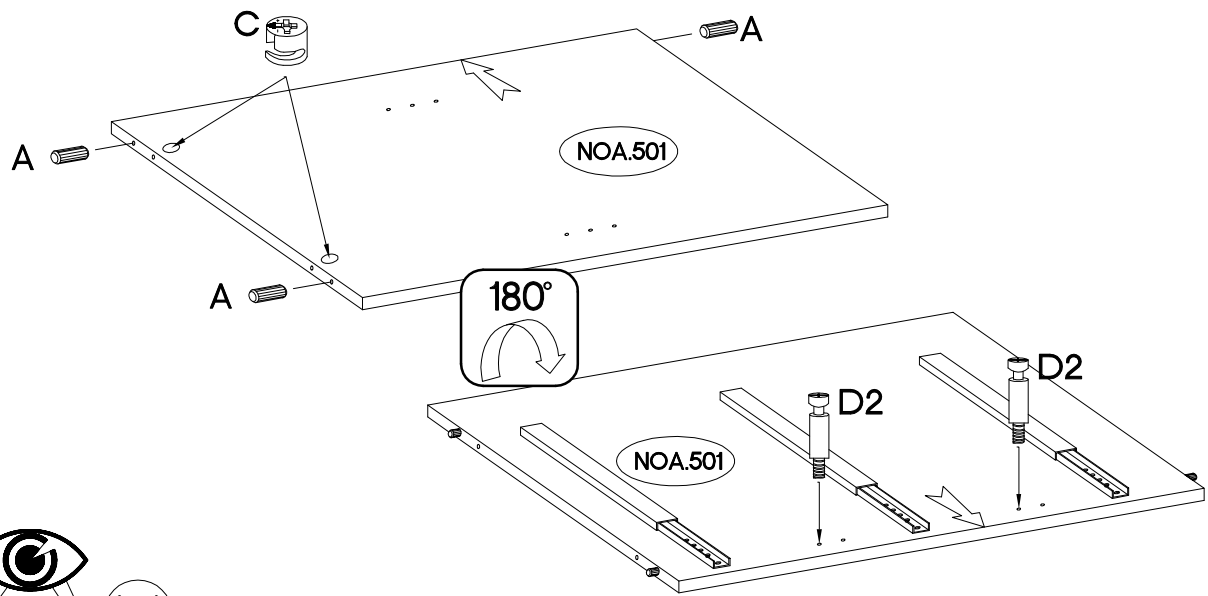
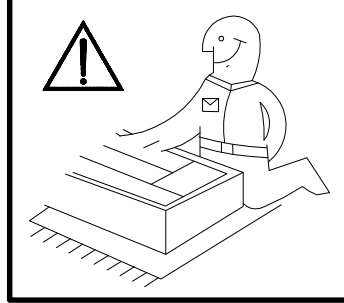
5

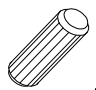
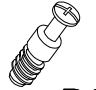

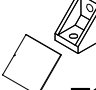



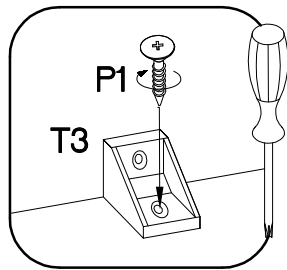
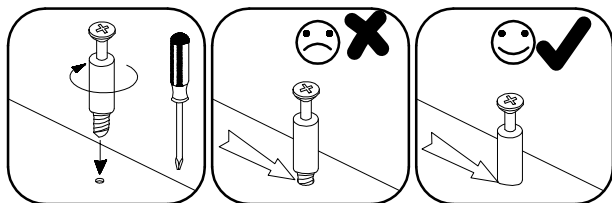
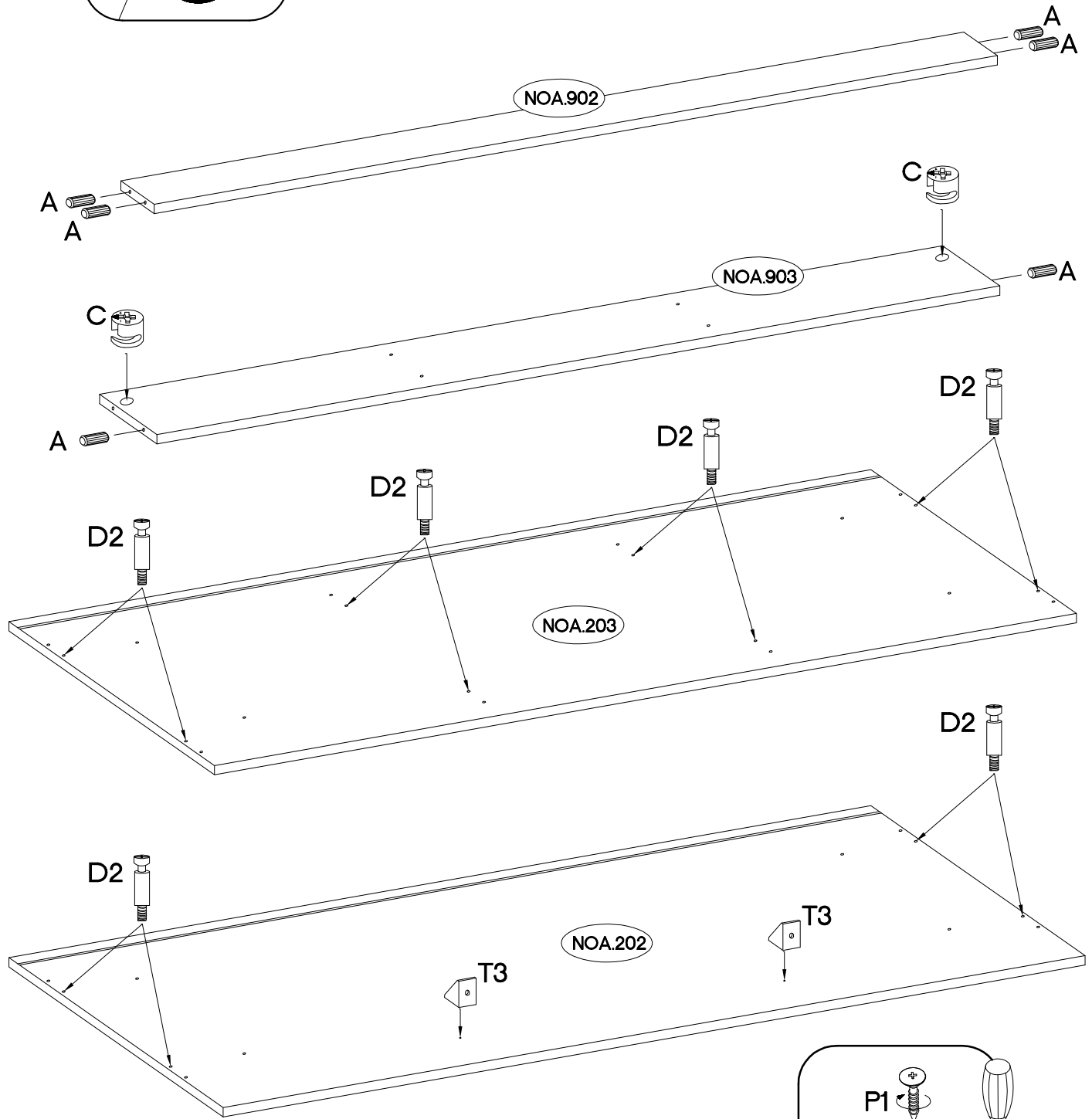
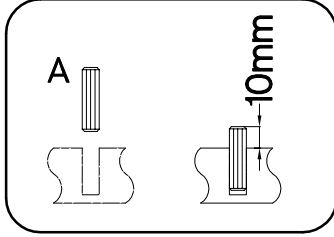
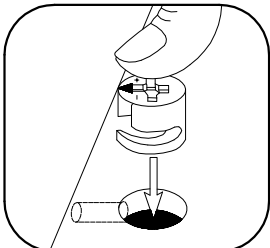
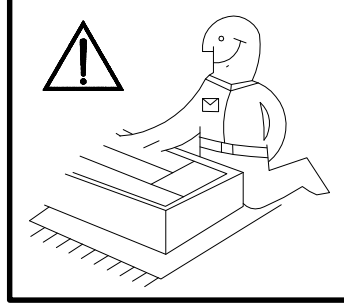
<p>±8x30mm A</p>	<p>L=20mm D2</p>	<p>±15/12mm C</p>
12	10	12



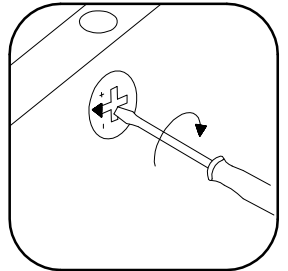
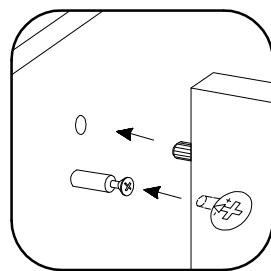
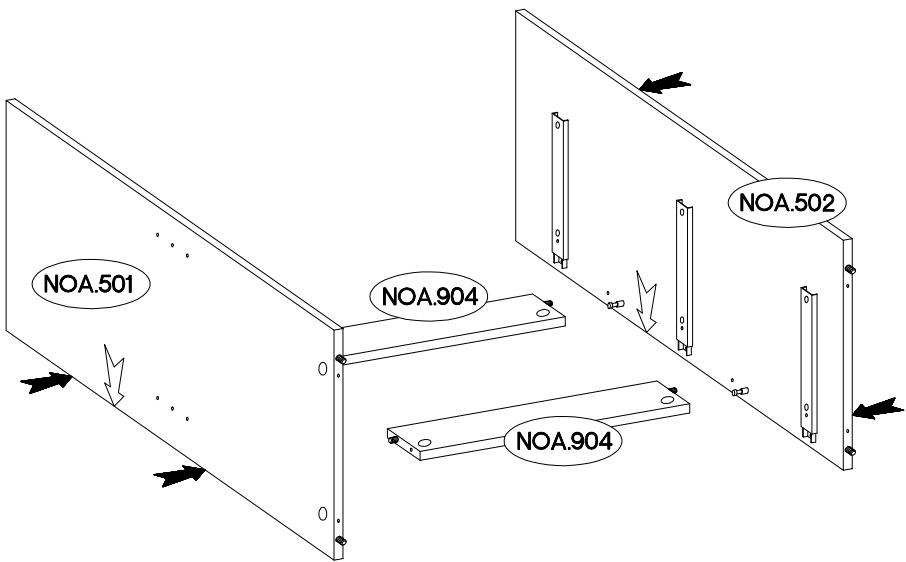
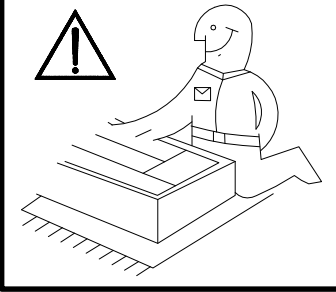
 <p>8x30mm A</p>	 <p>L=20mm D2</p>	 <p>15/12mm C</p>	 <p>27/310mm I4</p>	 <p>6,3x13mm M2</p>
6	4	4	3	12



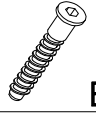

$\varnothing 8 \times 30 \text{mm}$  A 6	L=20mm  D2 12	$\varnothing 15/12 \text{mm}$  C 2	 T3 2	$\varnothing 4.0 \times 16 \text{mm}$  P1 2
---	--	---	---	--

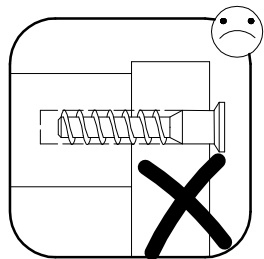
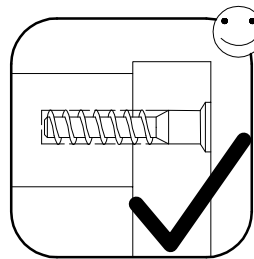
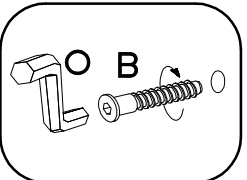
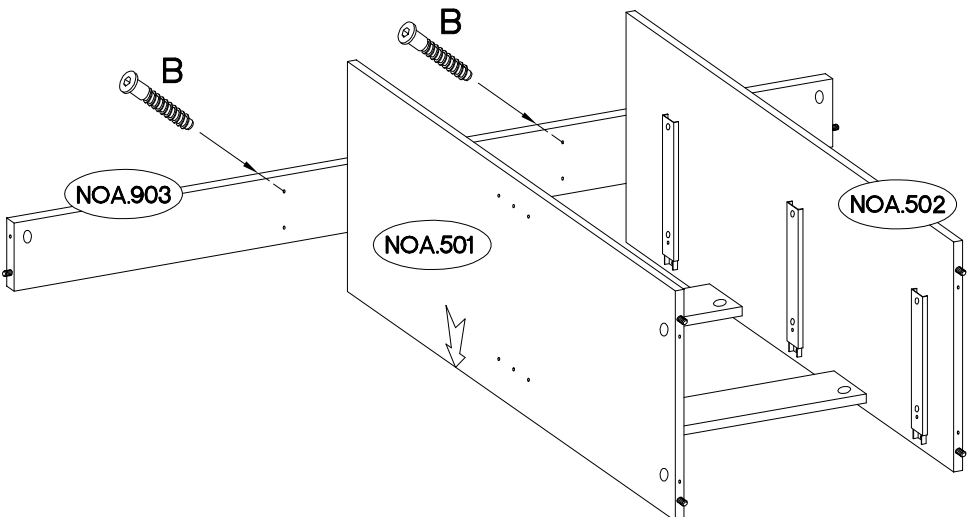


9

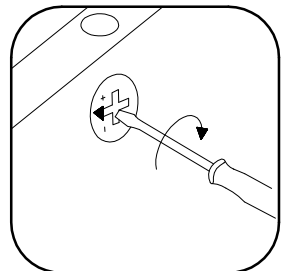
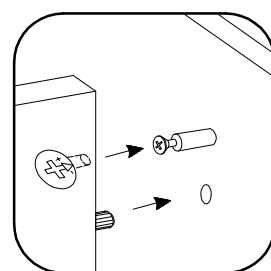
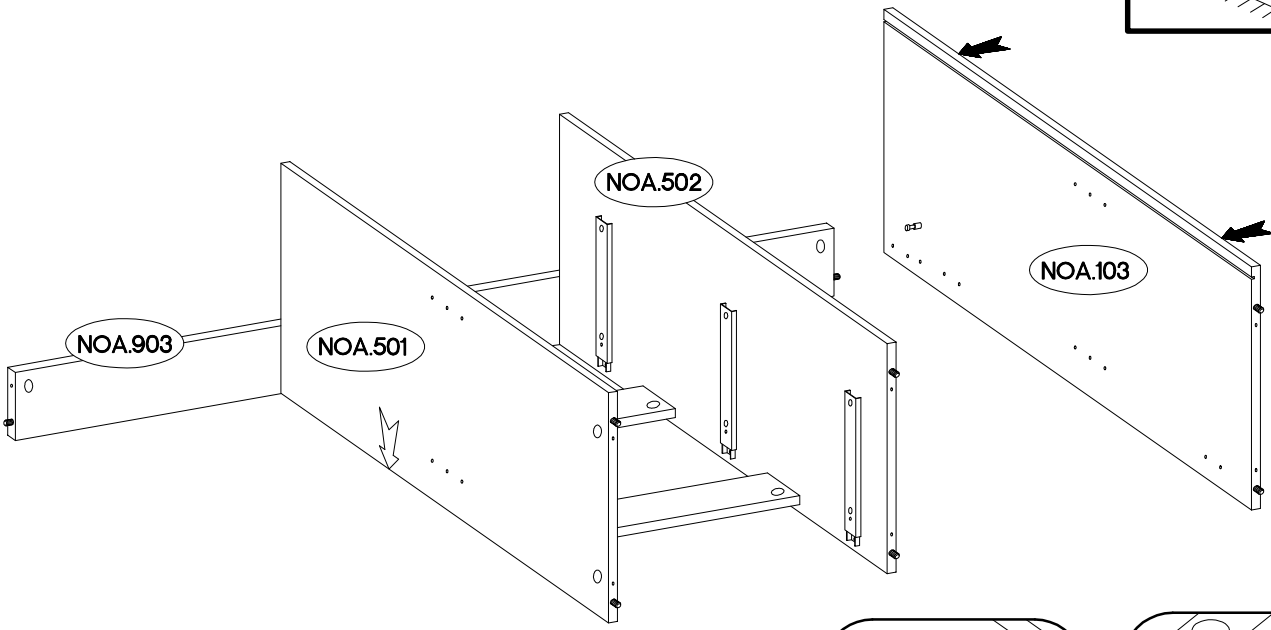
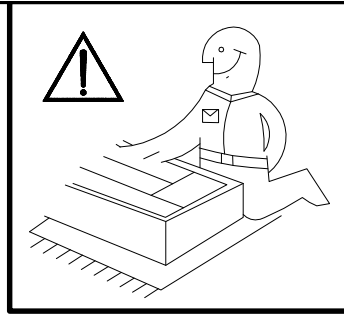


10

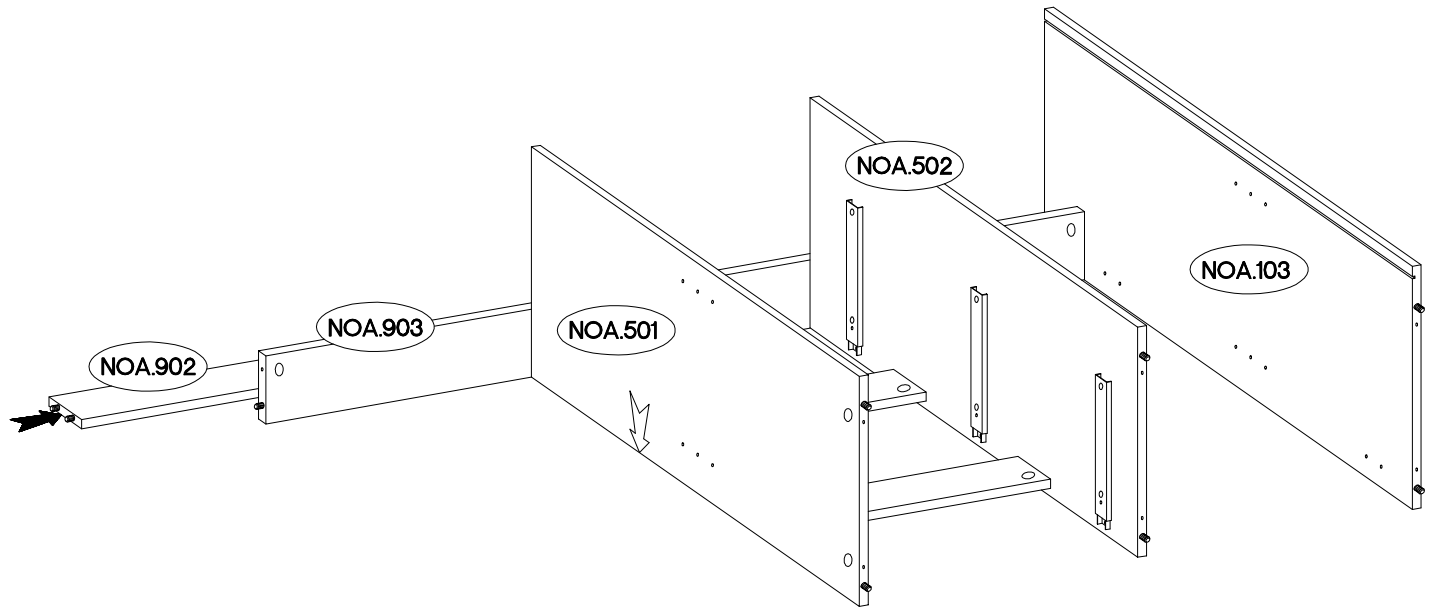
6,4 x 50mm	
	
B	O
2	1



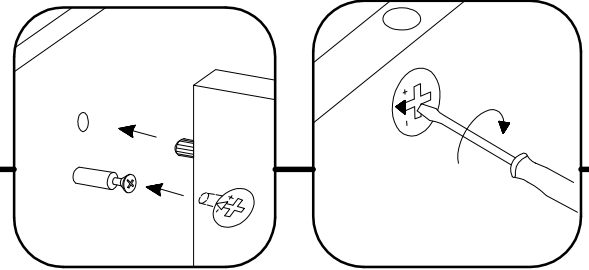
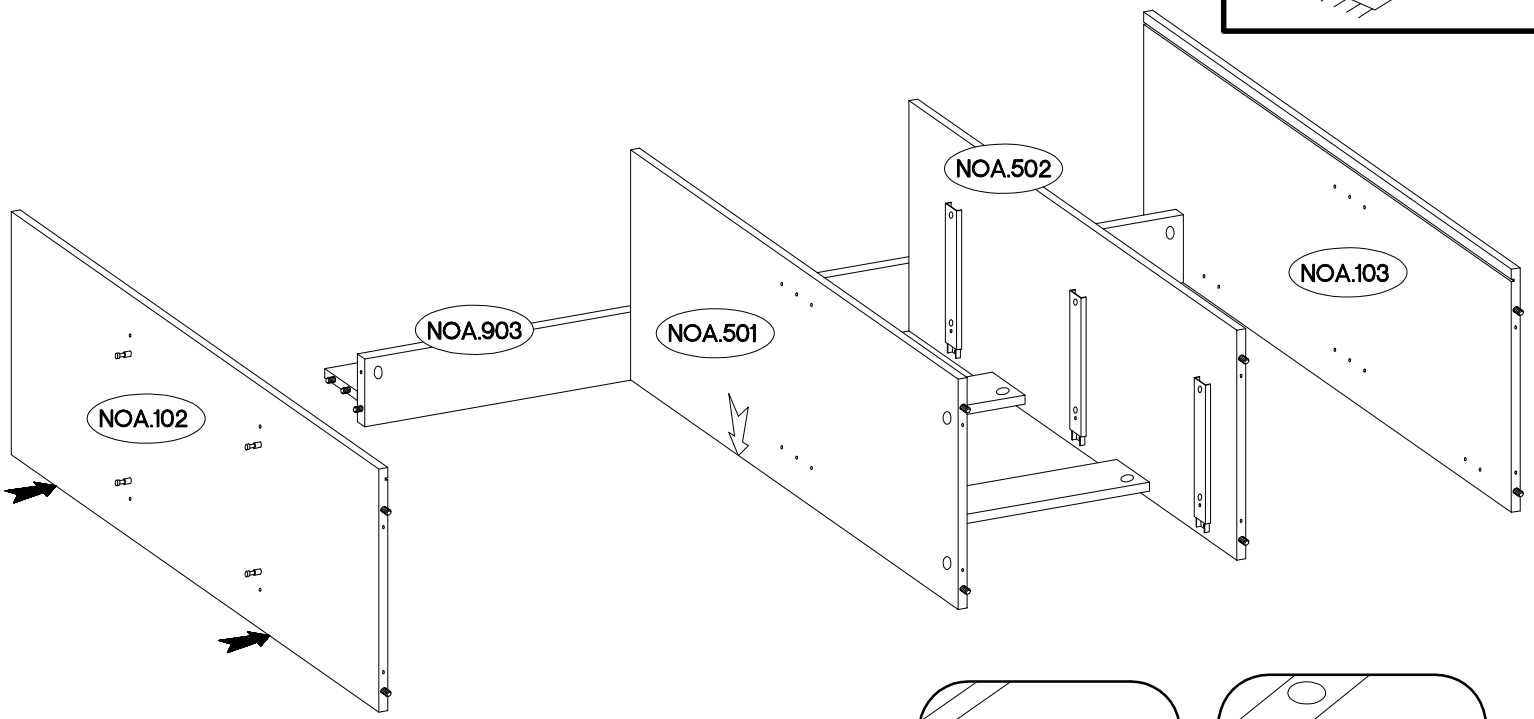
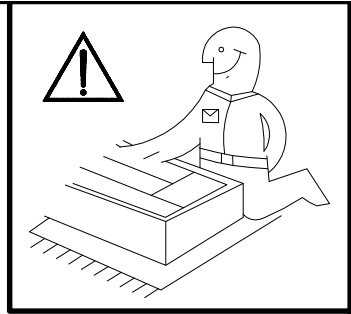
11



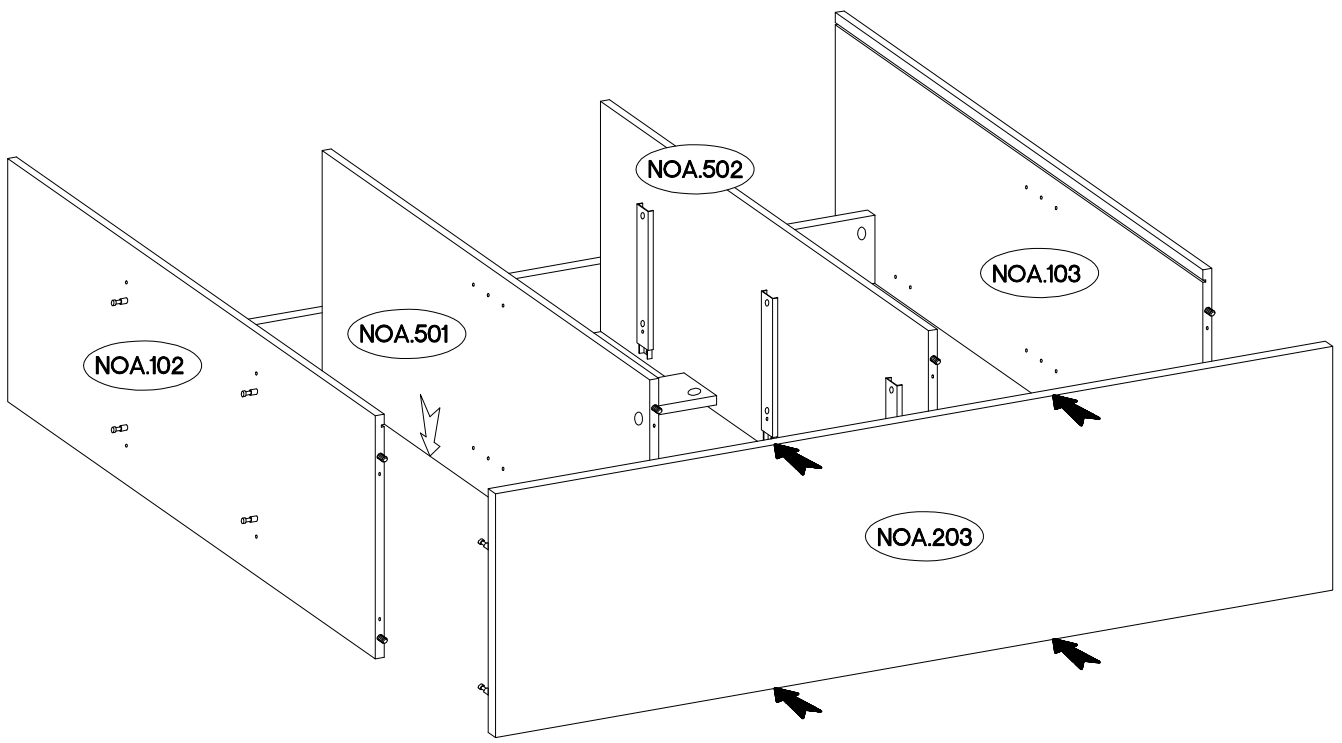
12



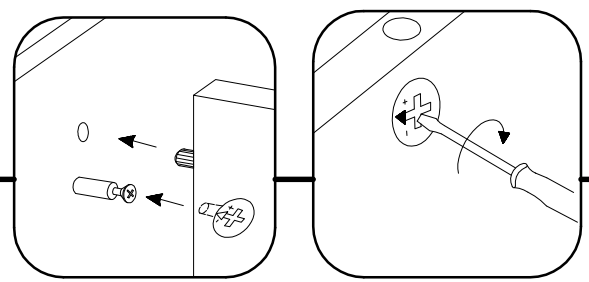
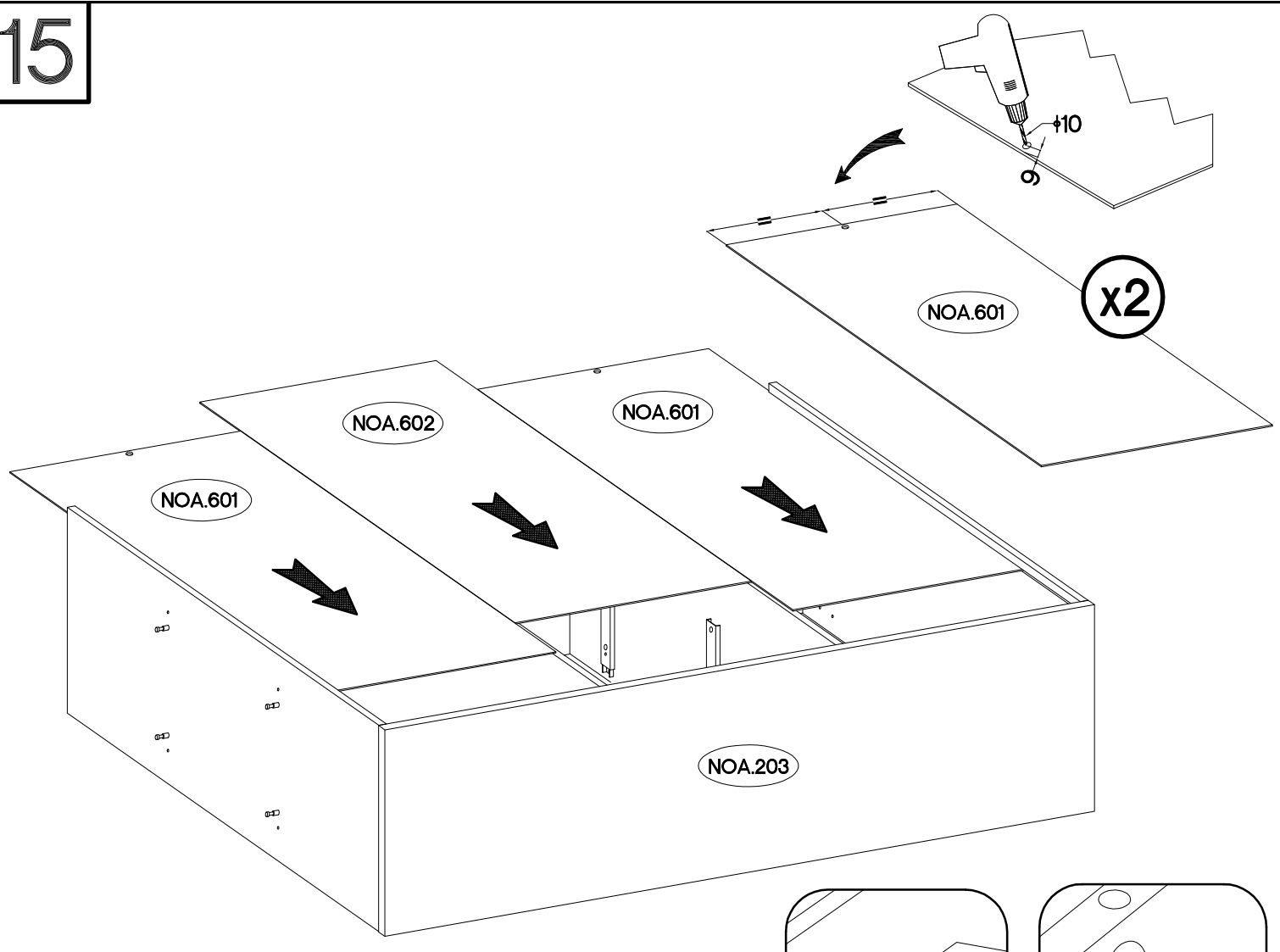
13



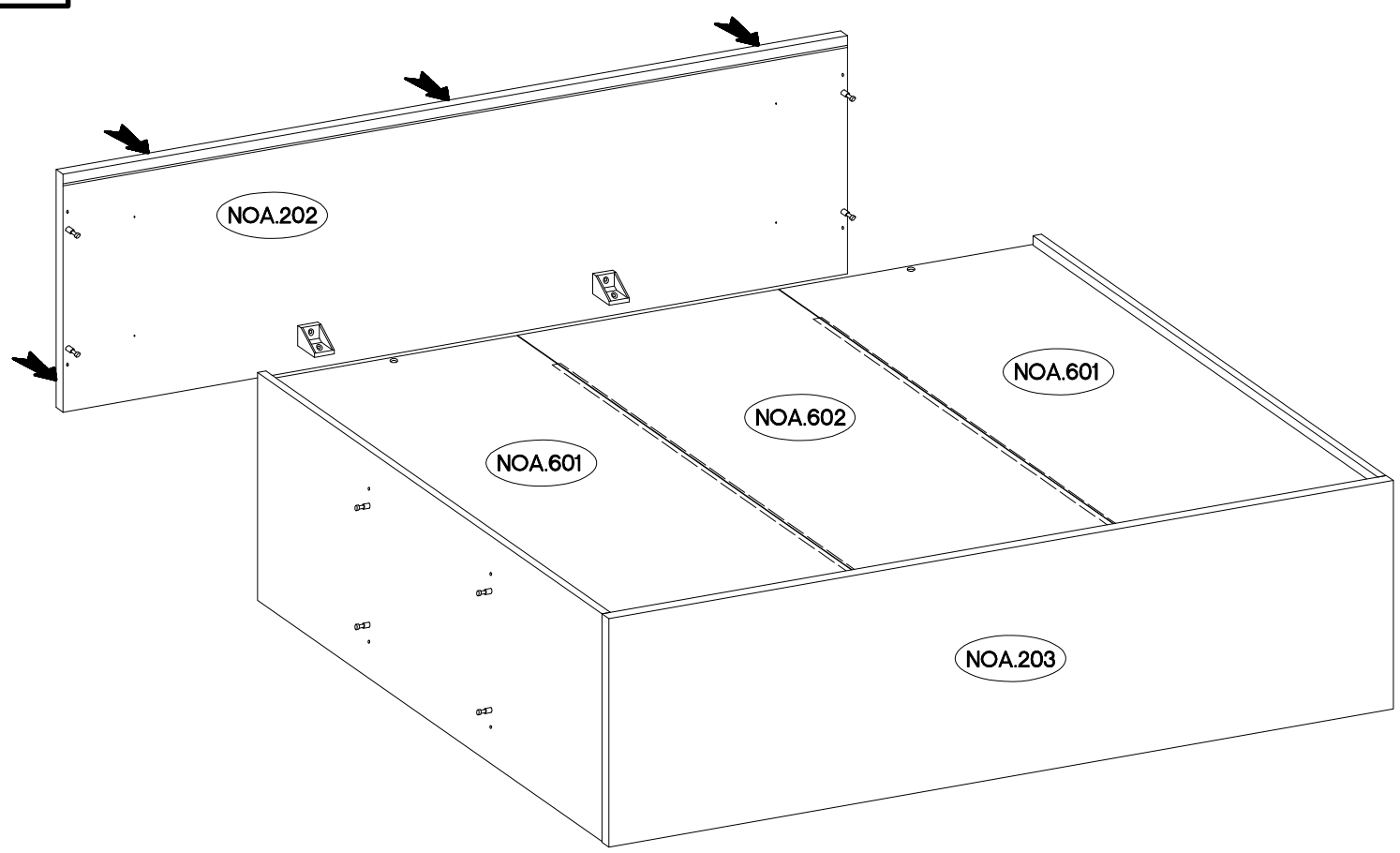
14


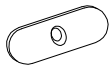
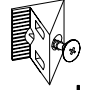


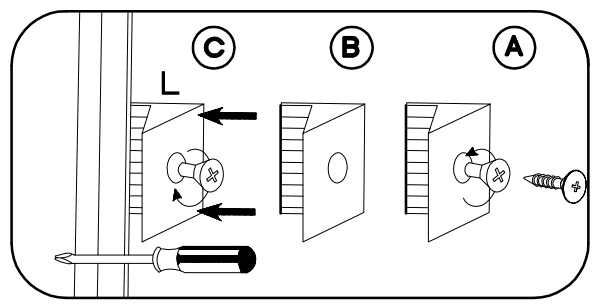
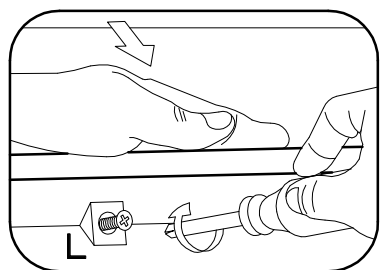
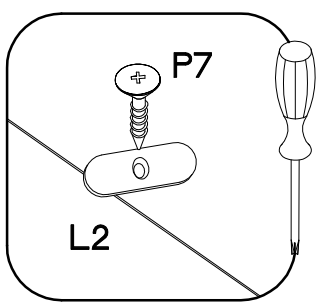
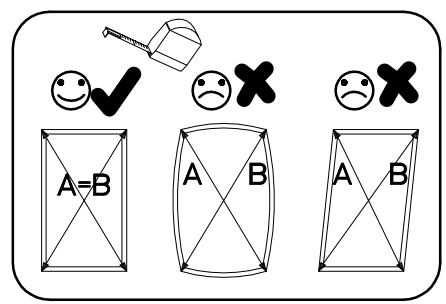
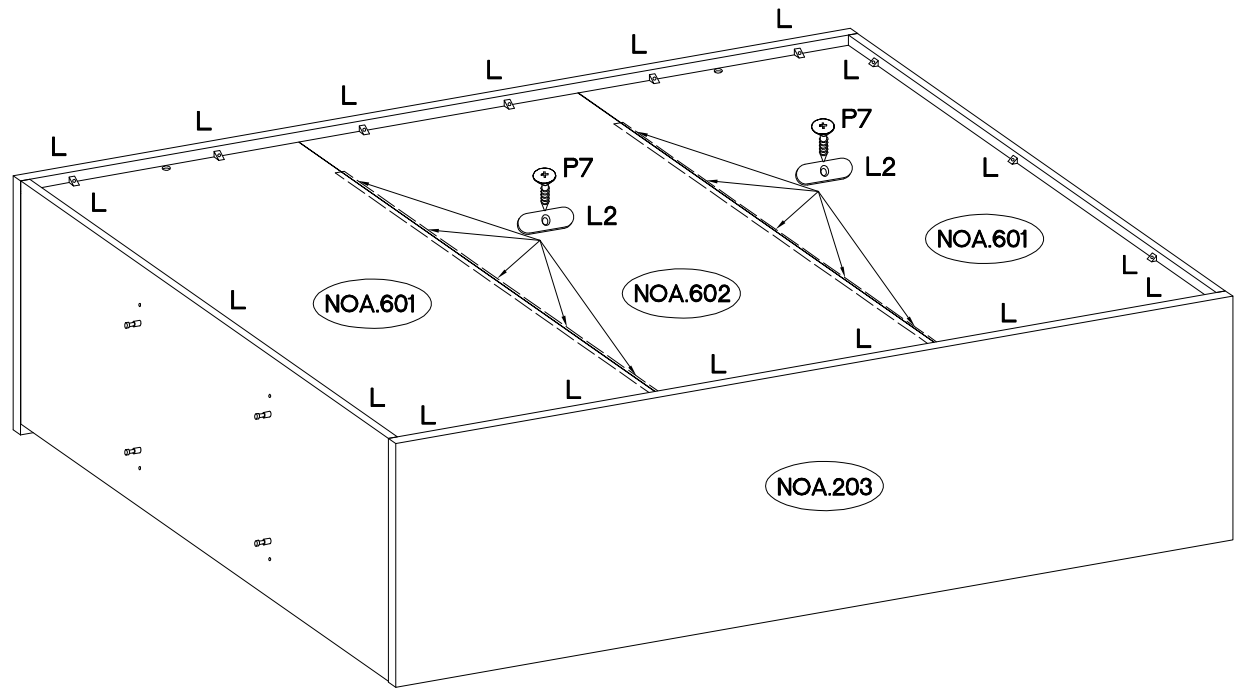
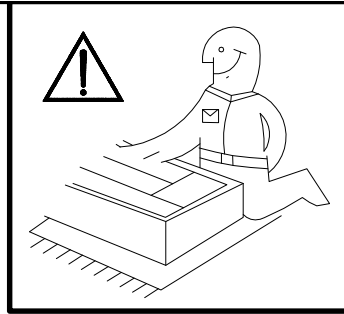
15




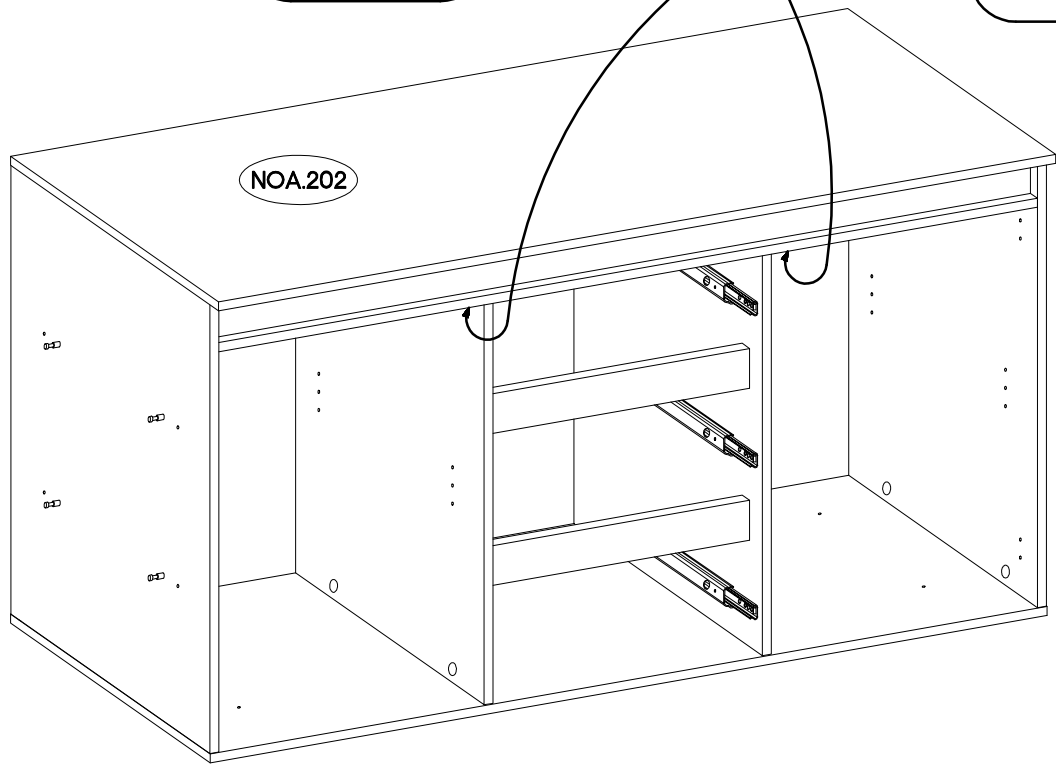
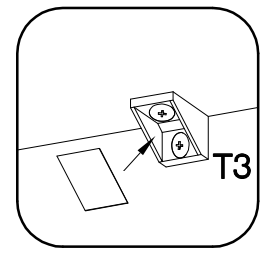
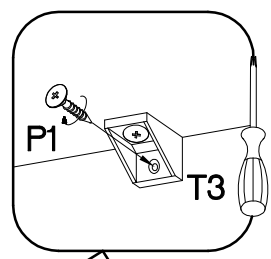
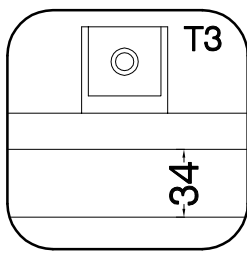
16

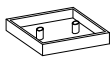



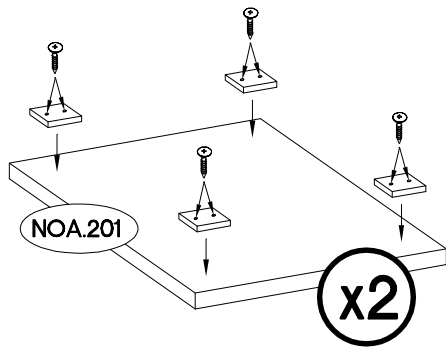
+3.0x20mm  P7 10	 L2 10	 L 18
---	--	---



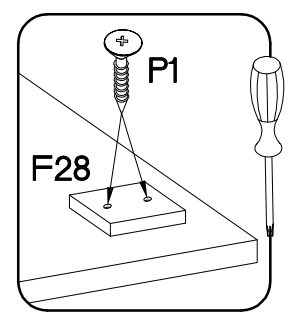
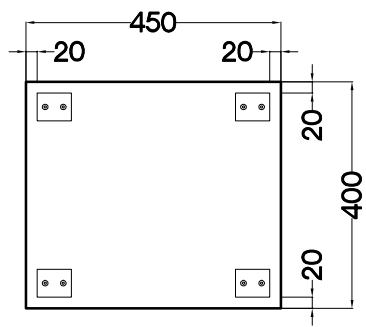
±4.0x16mm

P1
2

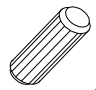
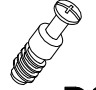



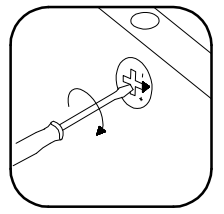
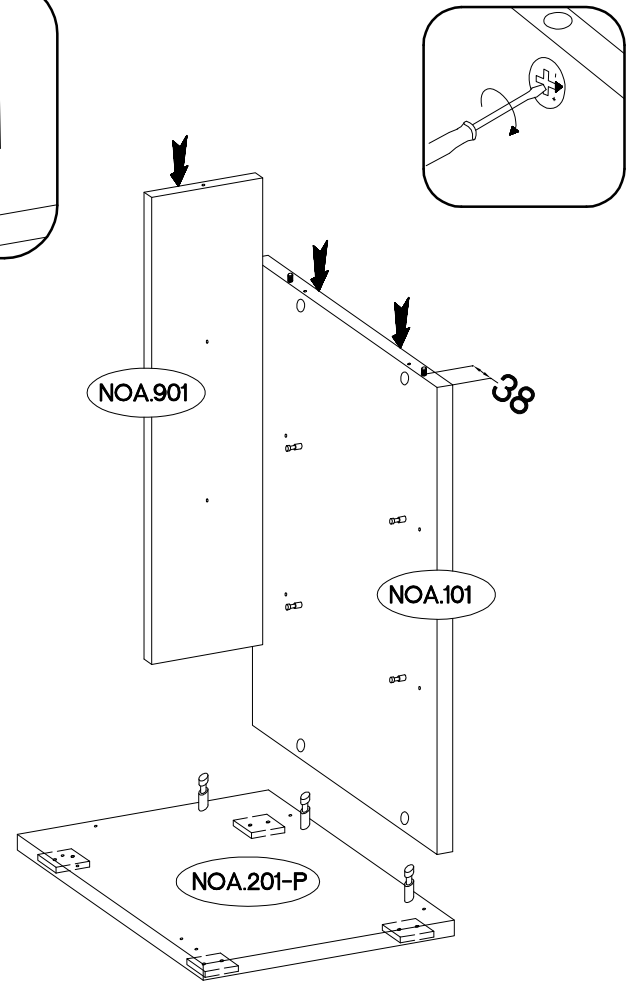
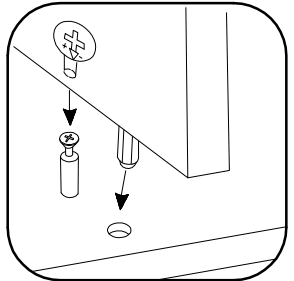
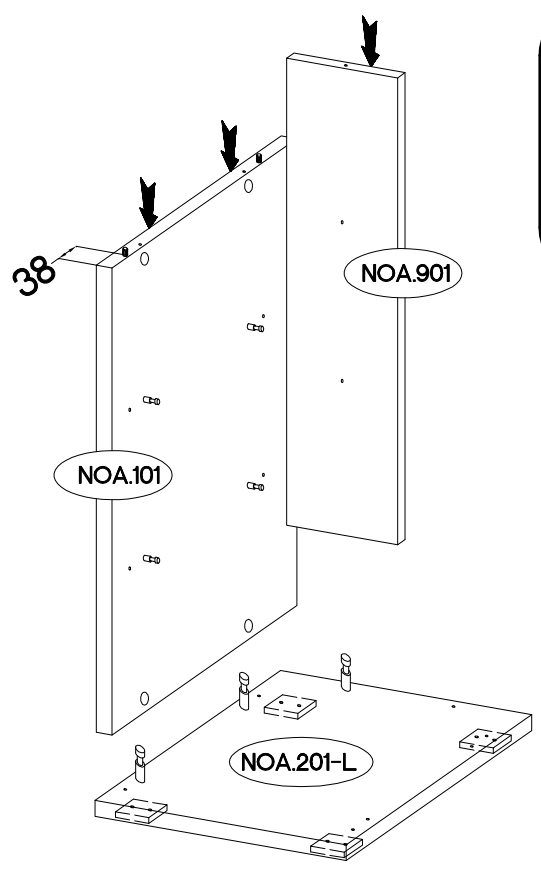
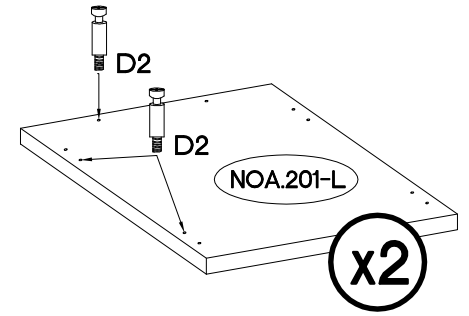
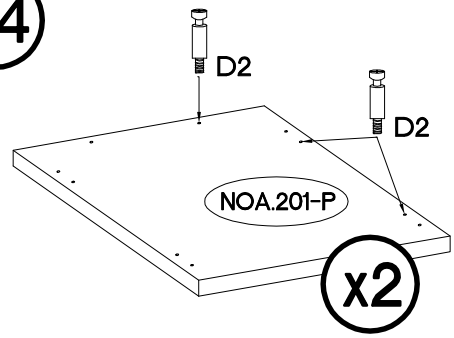
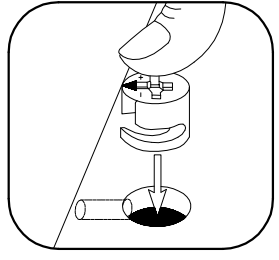
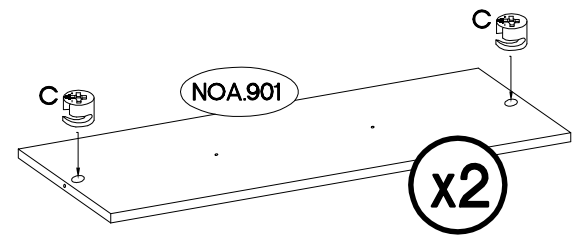
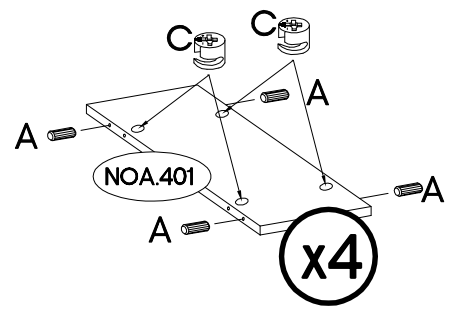
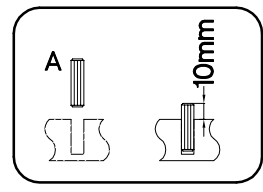
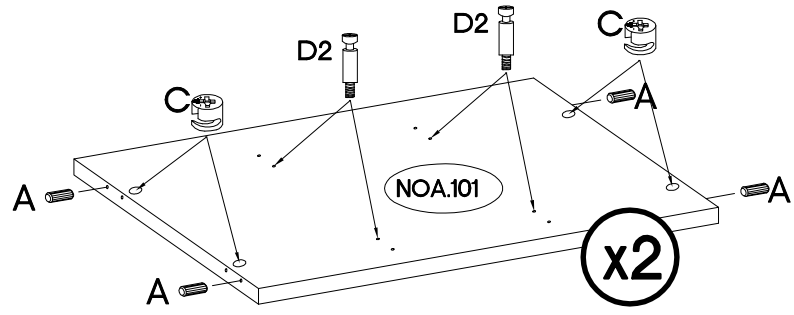
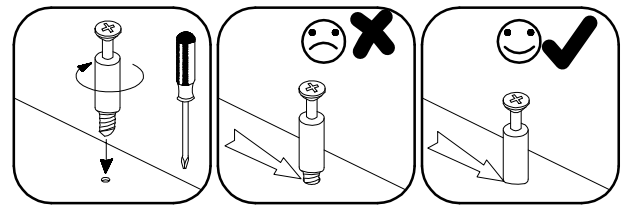
60x49x10	±4.0x16mm
	
F28	P1
8	16

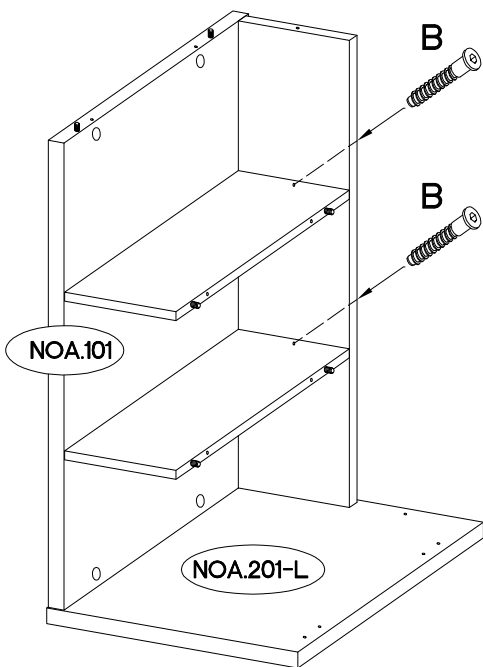
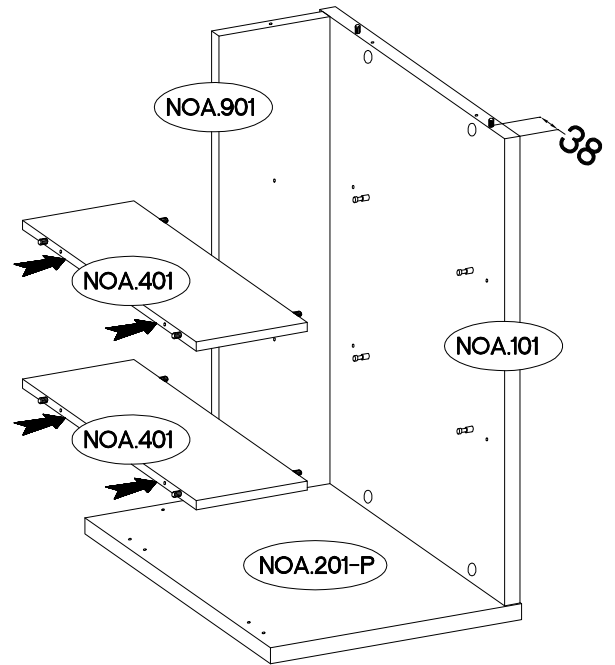
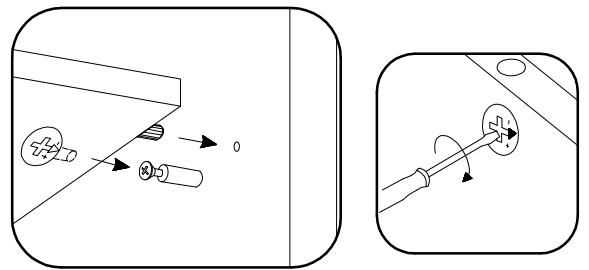
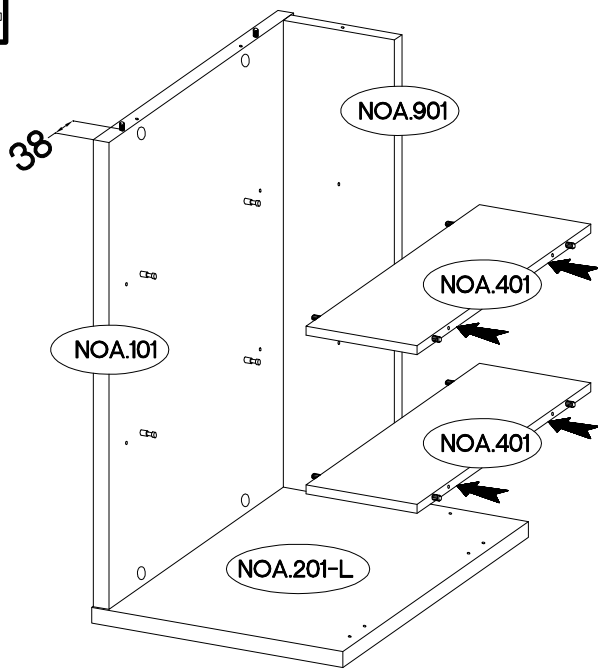



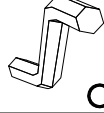

x2

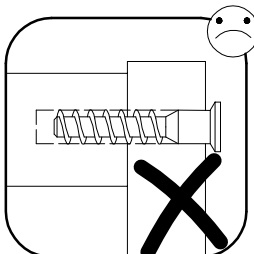
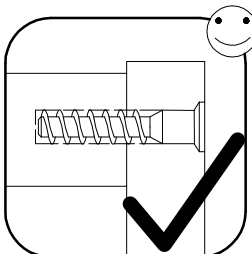
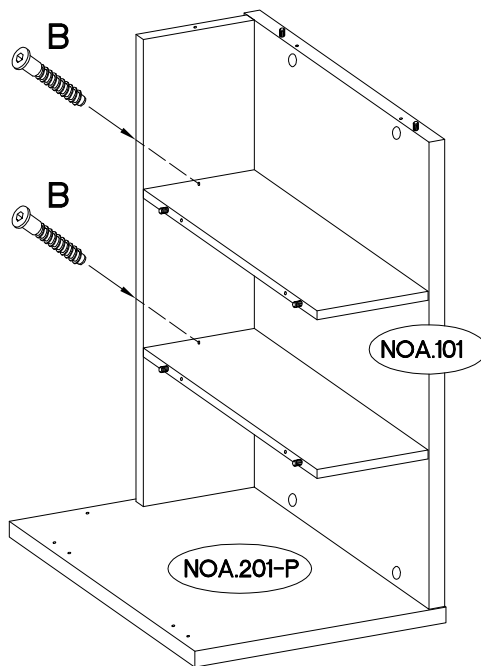
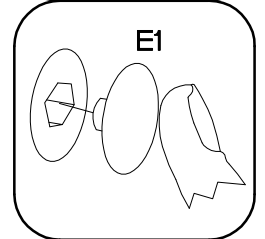
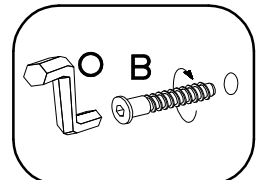


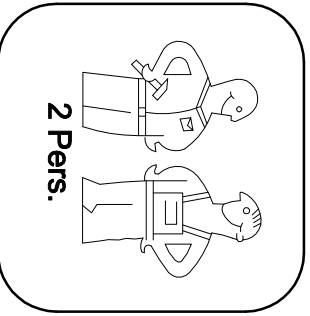
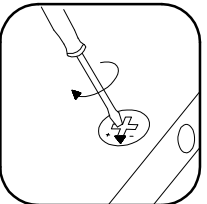
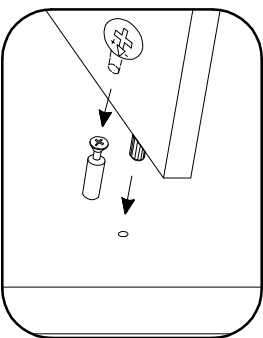
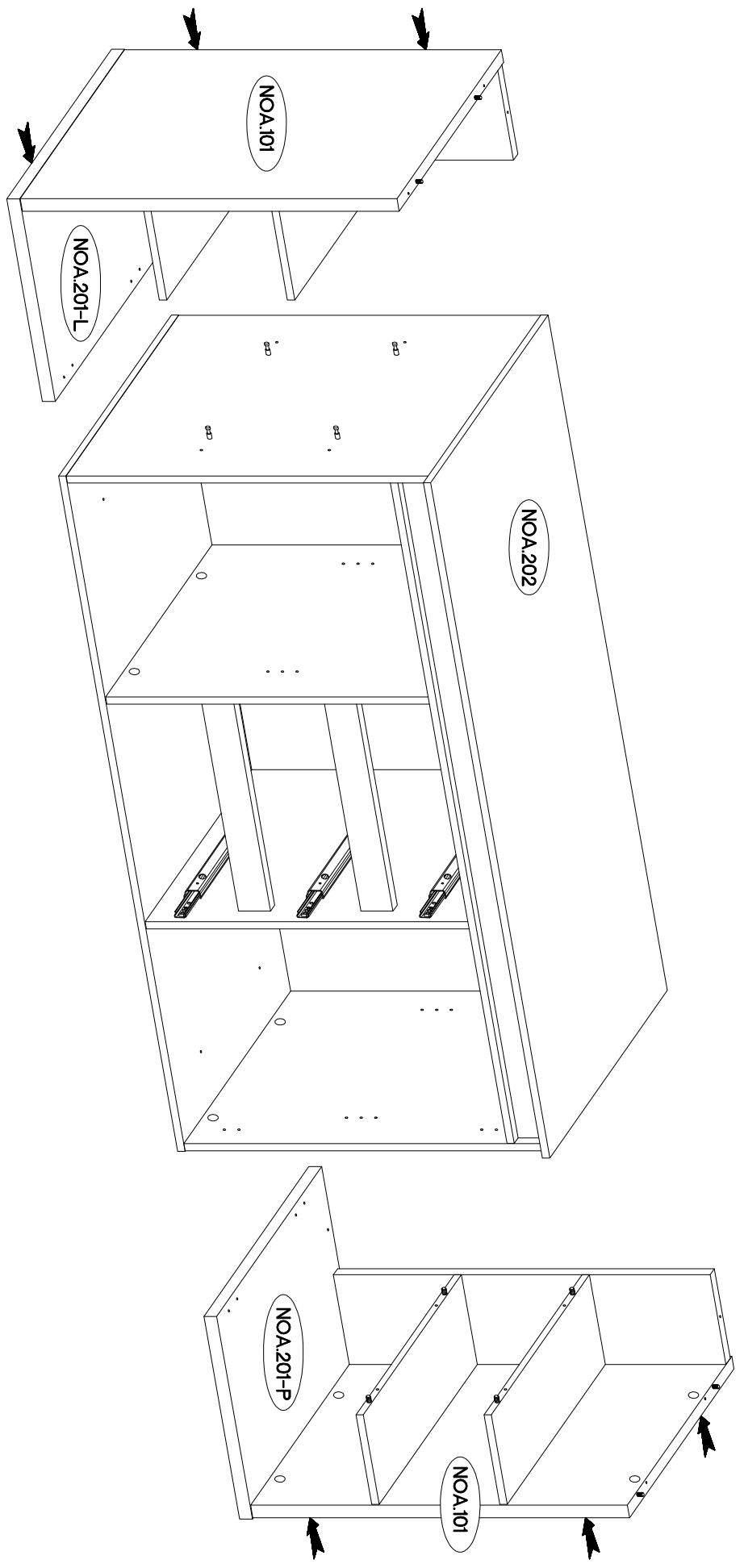
$\varnothing 8 \times 30 \text{mm}$  A 24	L=20mm  D2 20	$\varnothing 15/12 \text{mm}$  C 28
--	--	--



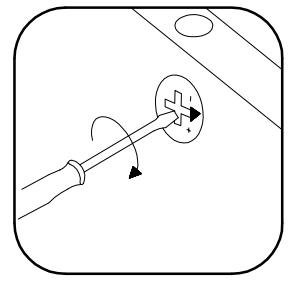
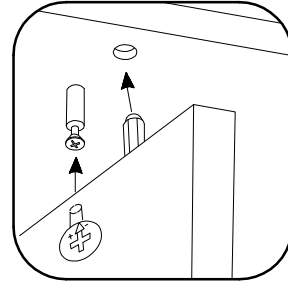
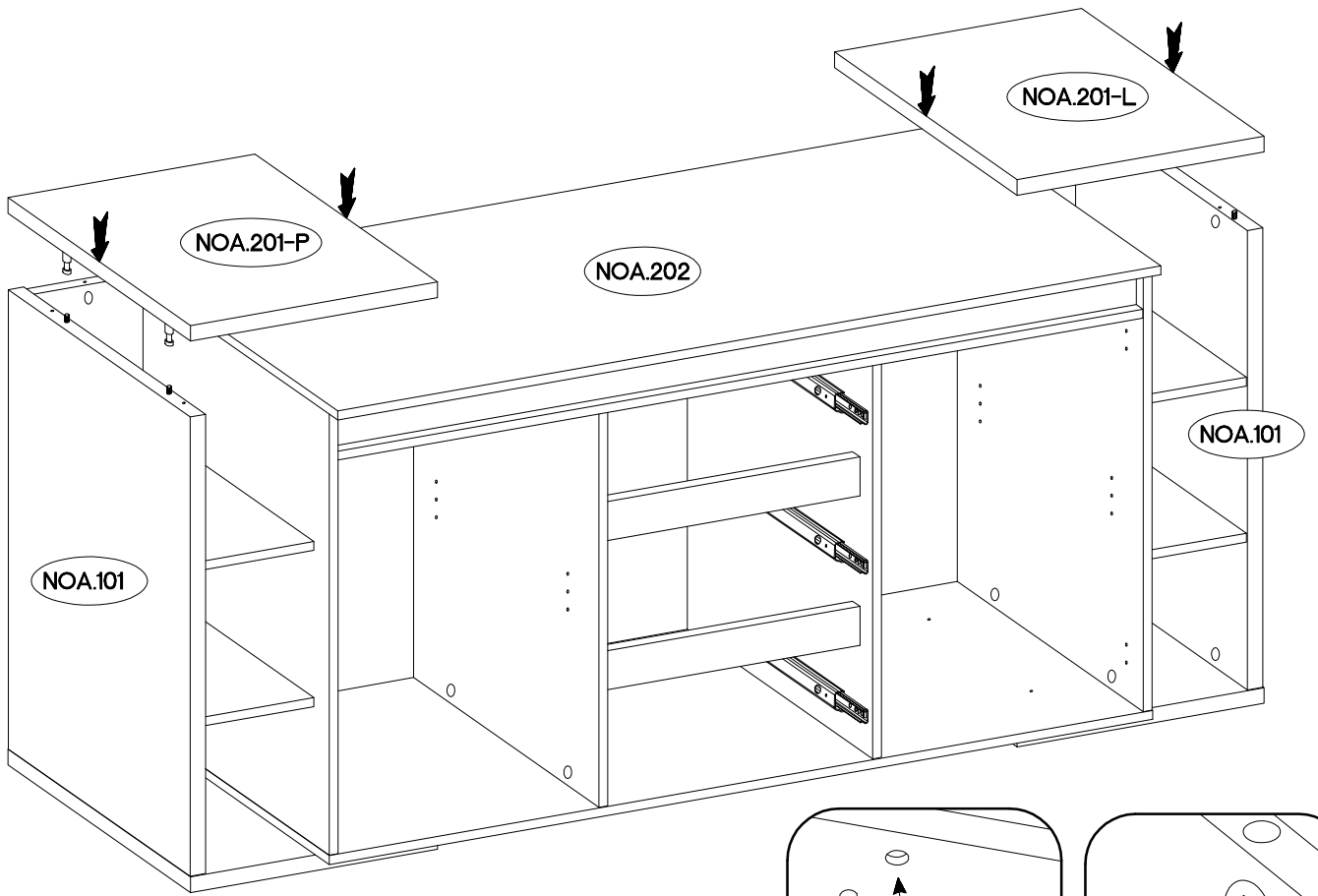


6,4 x 50mm		
		
4 B	1 O	4 E1



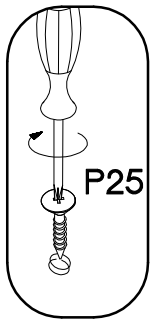
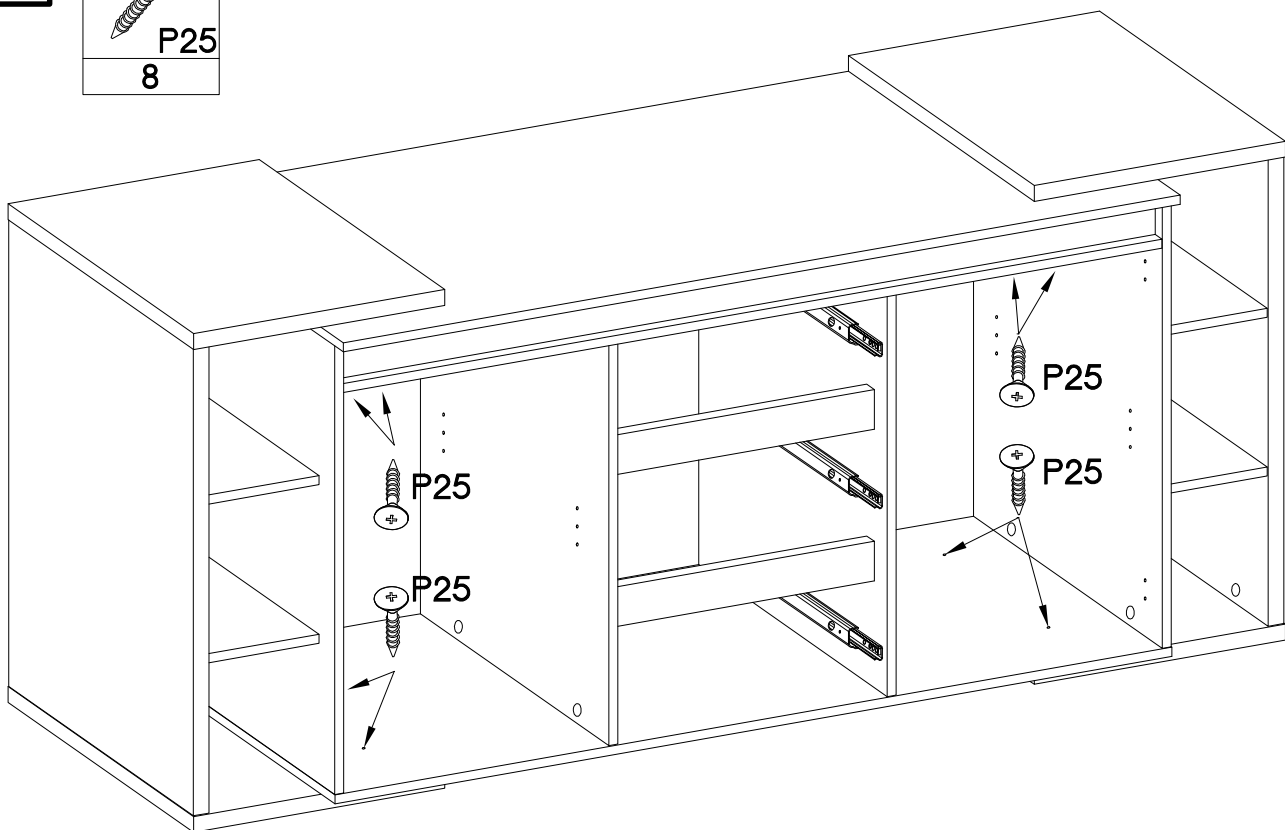





25

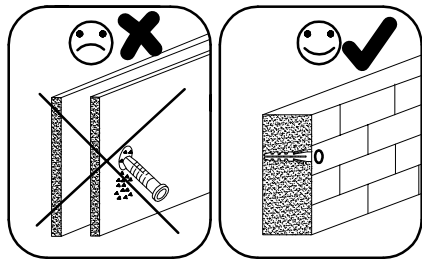
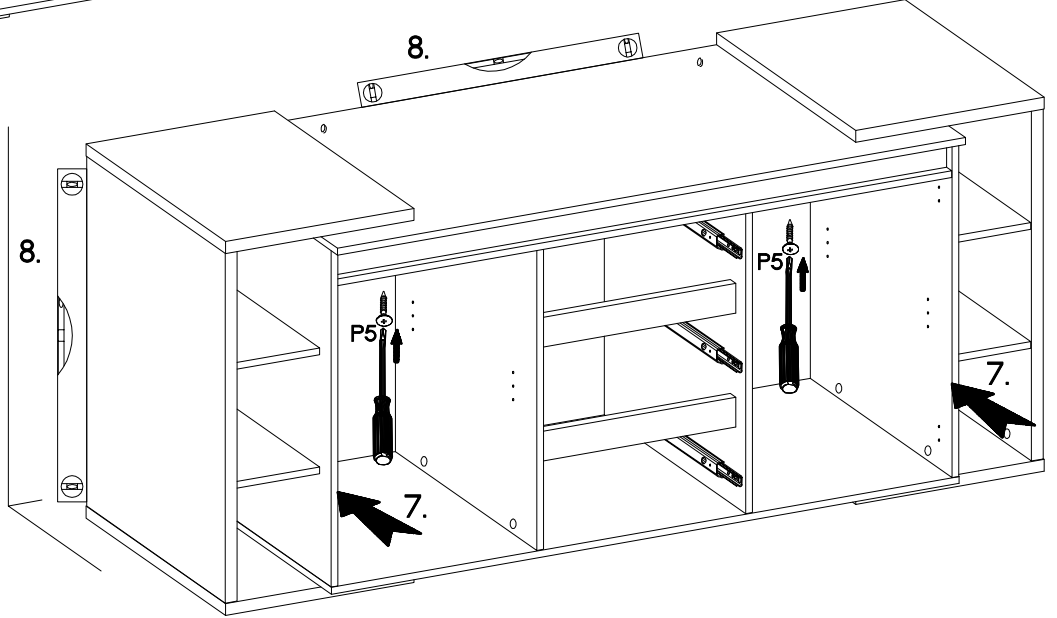
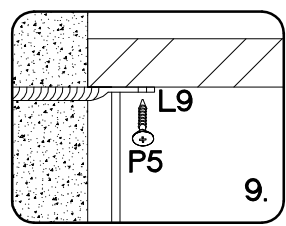
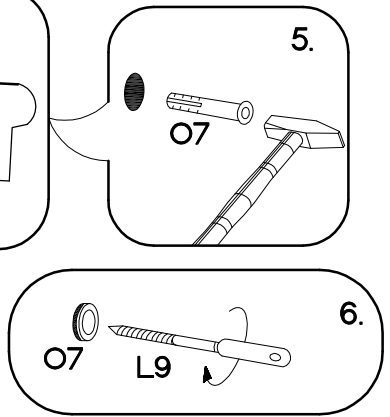
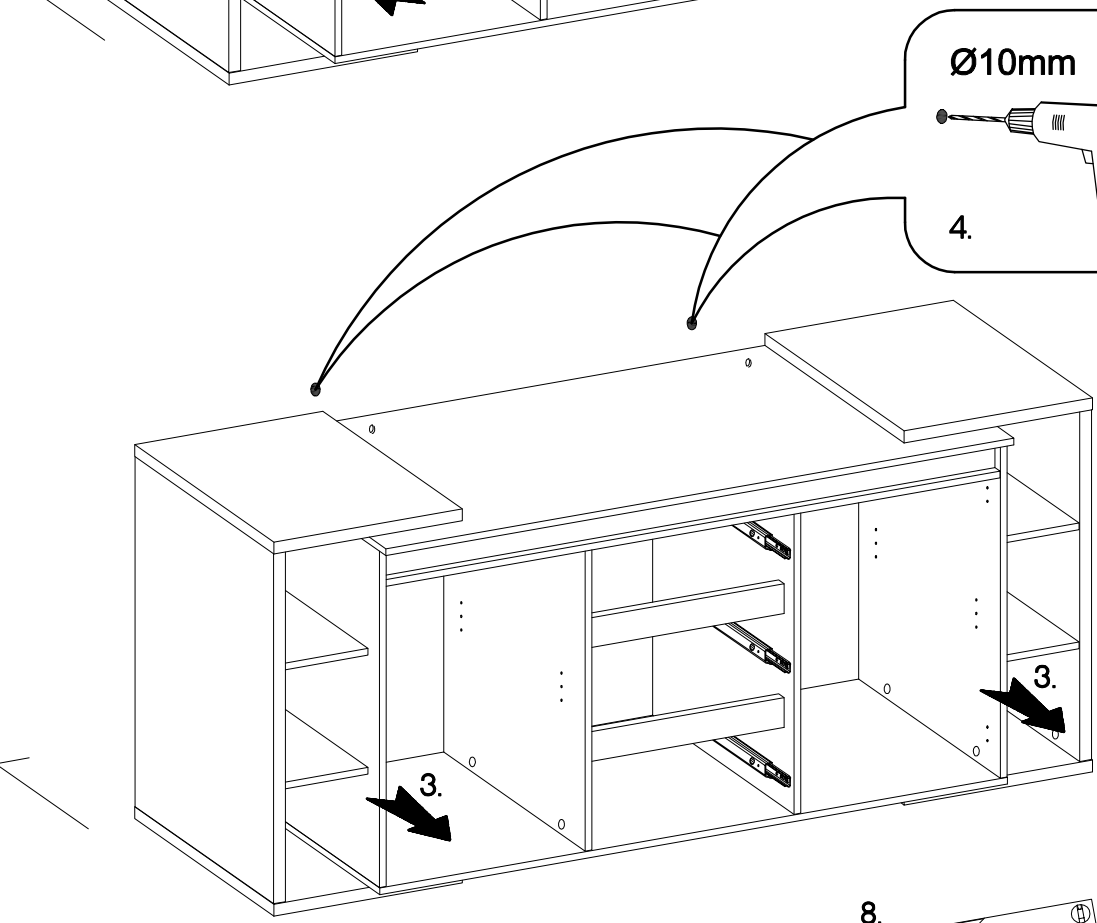
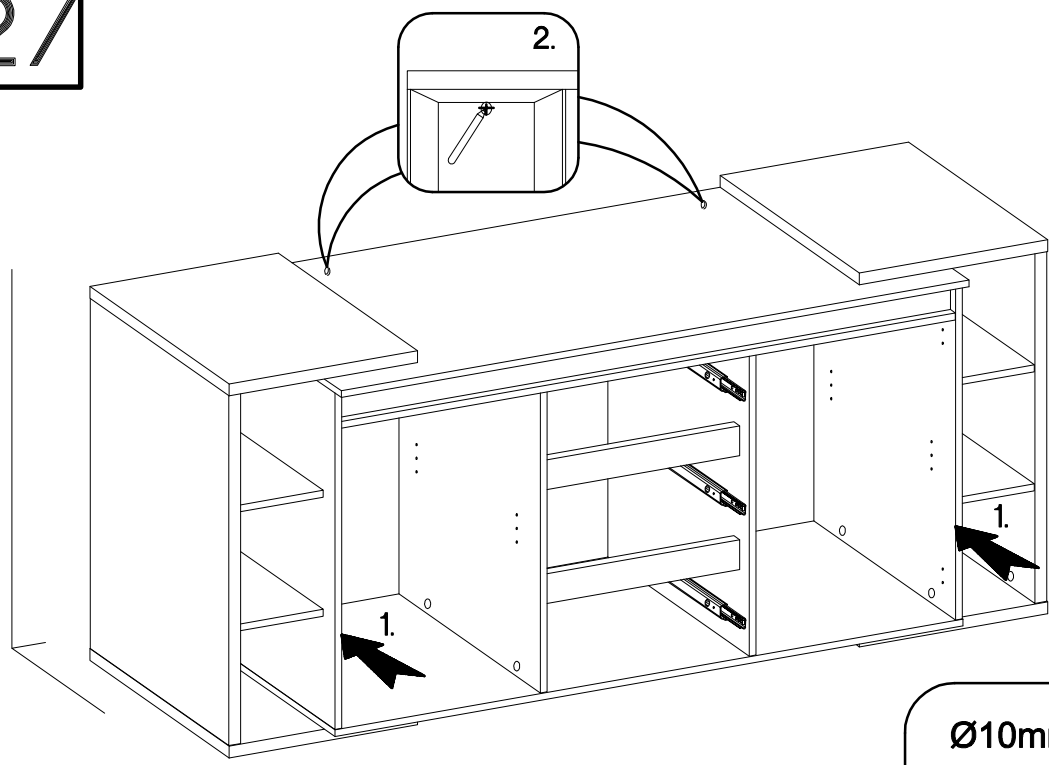


26

4x3.5x25mm
BLACK
P25
8



+10x50mm 		+3.5x13mm 
O7	L9	P5
2	2	2



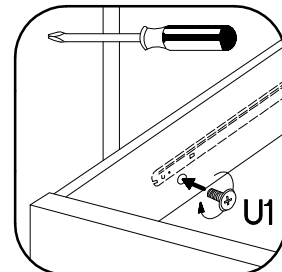
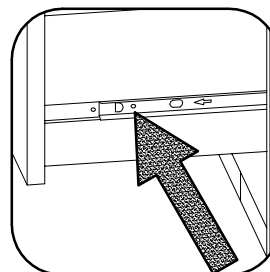
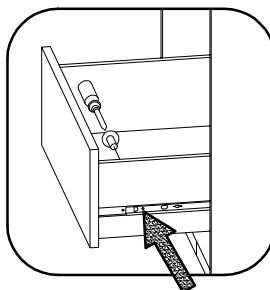
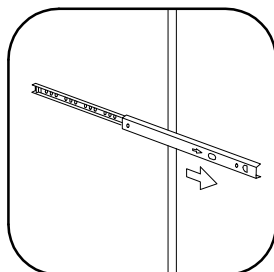
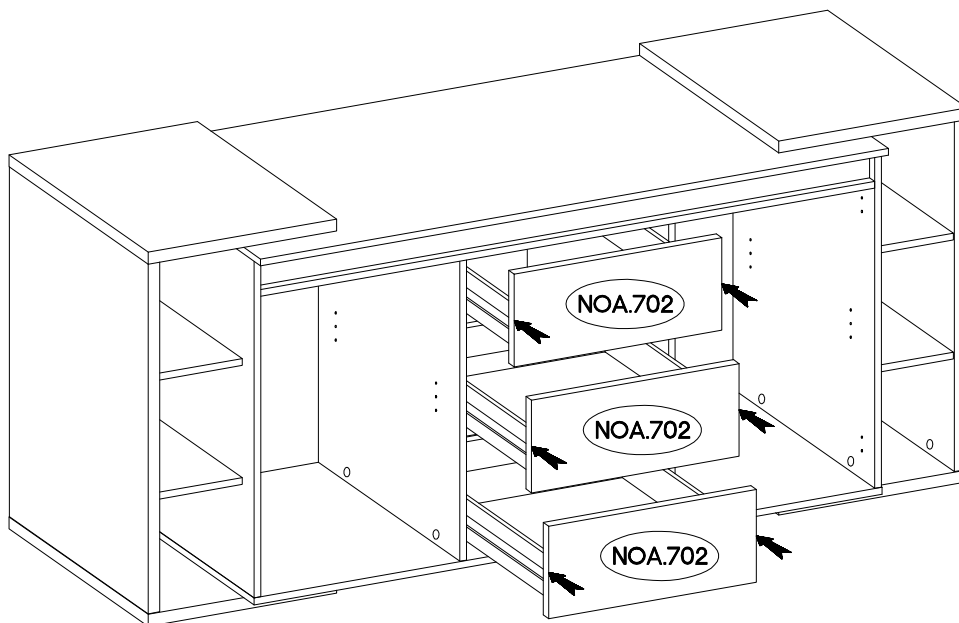
28

M4x9mm



U1

6



29

±5/16mm



J3

8



ant. E

14



szar. E

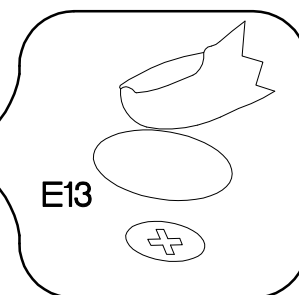
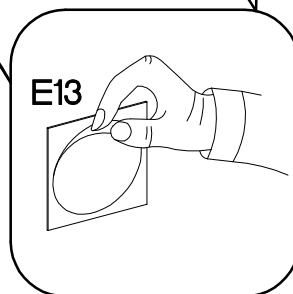
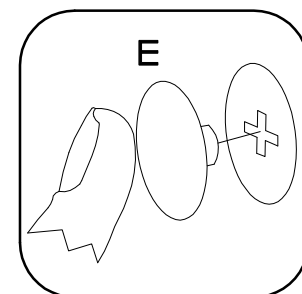
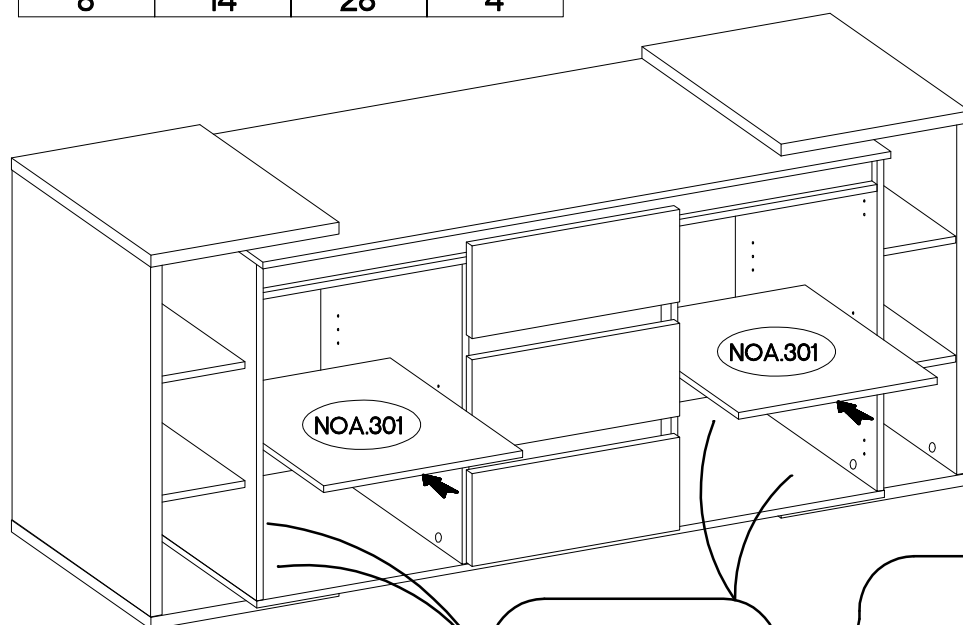
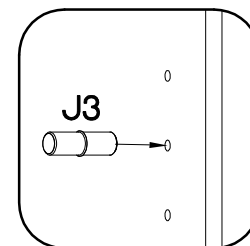
28

±14





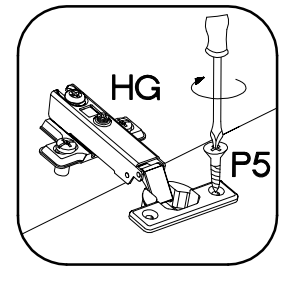
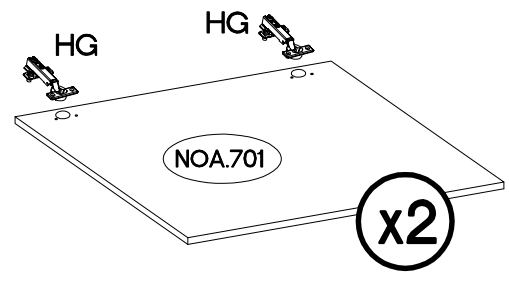
E13

4

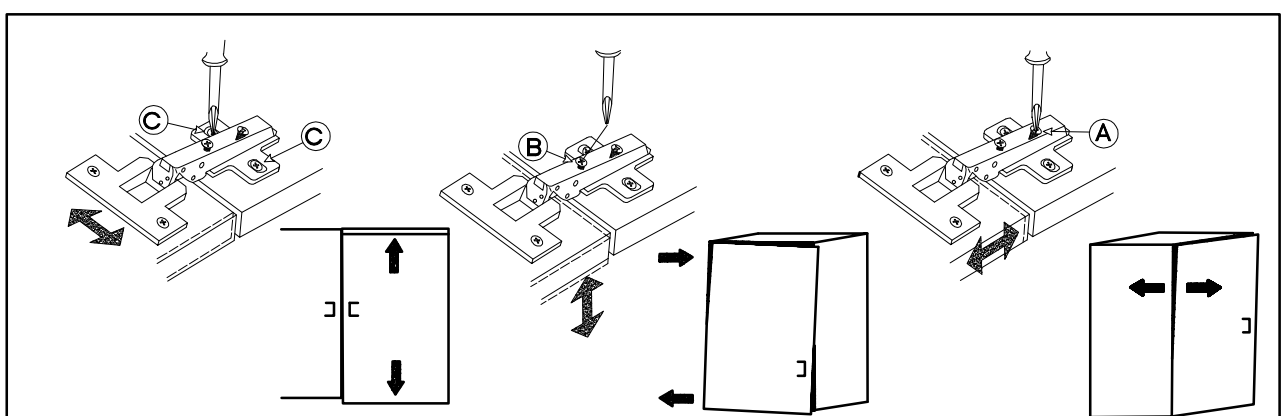
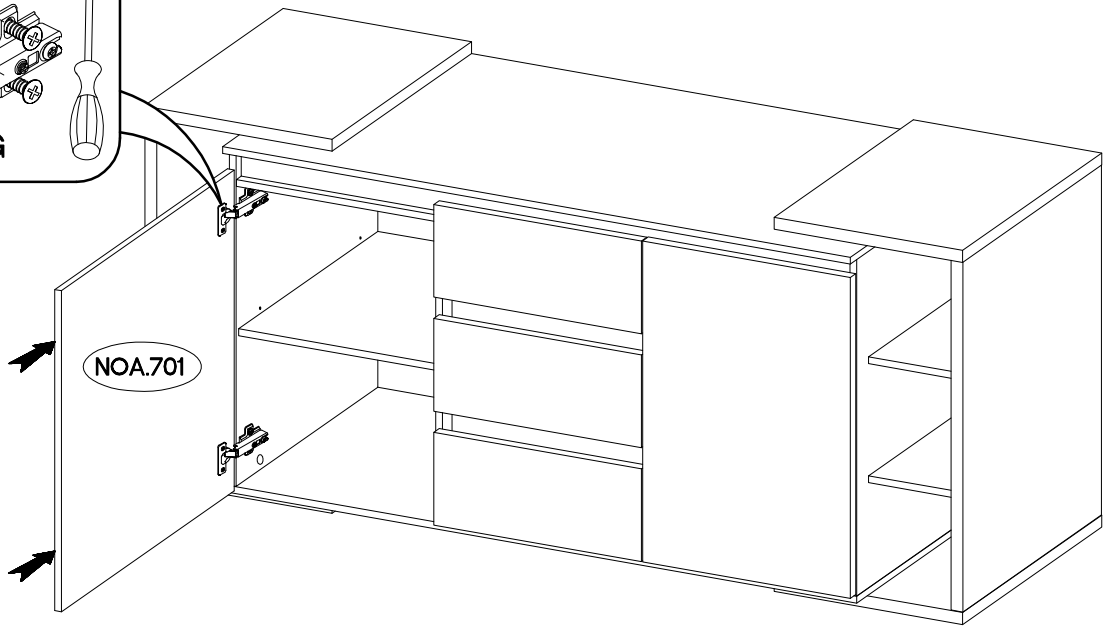
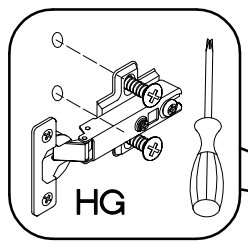
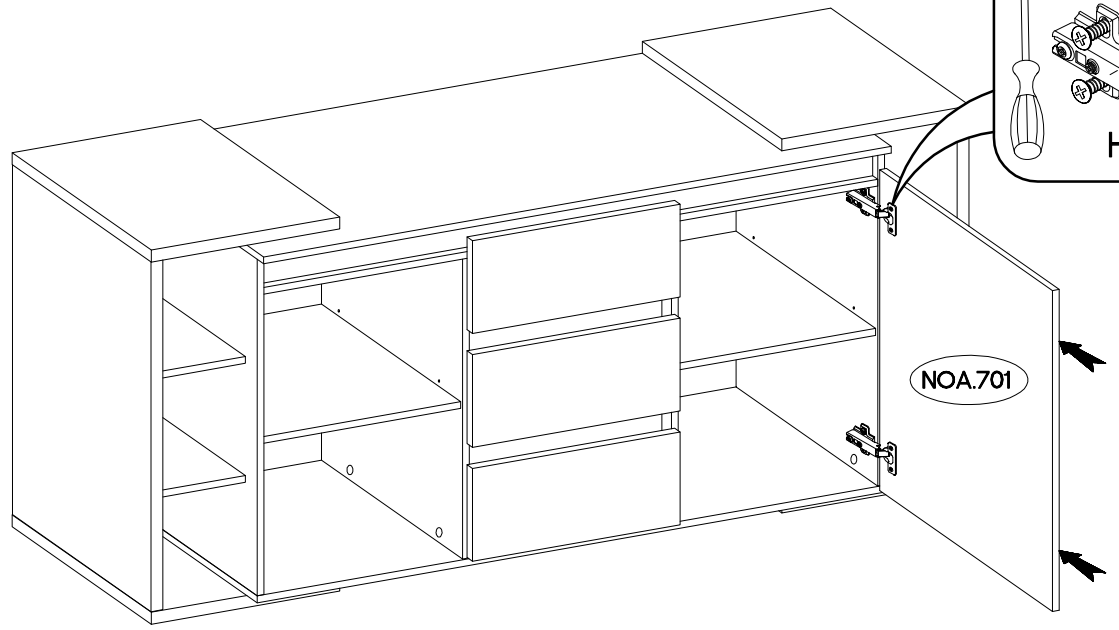


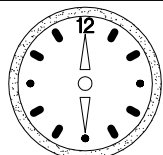
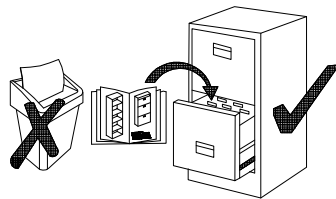
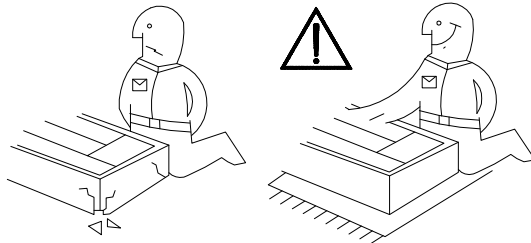
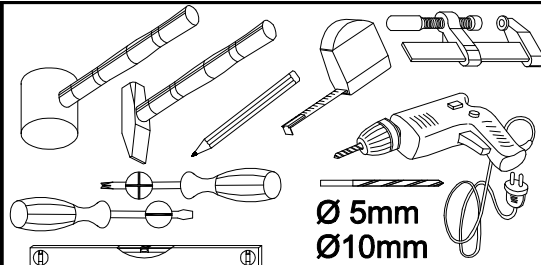
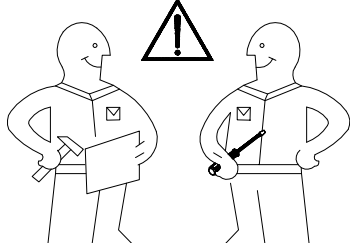
30

±35/0mm	±3.5x13mm
	
HG	P5
4	8



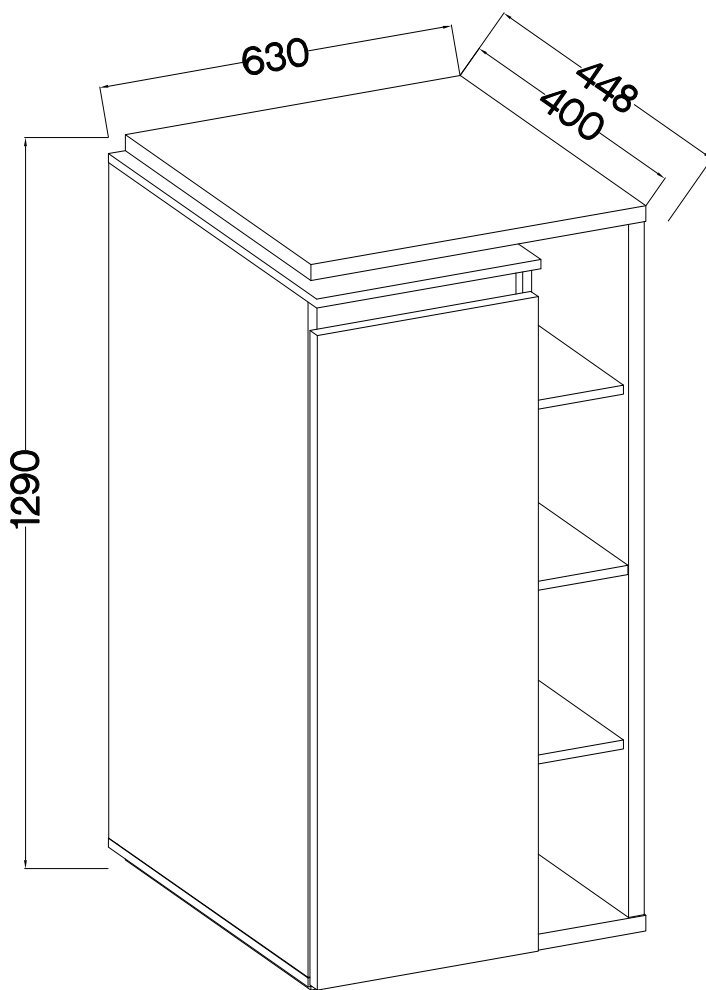
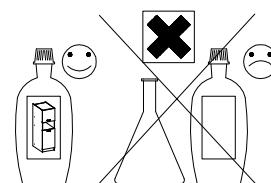
31

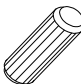






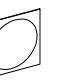
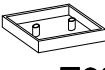

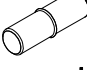
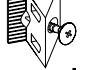











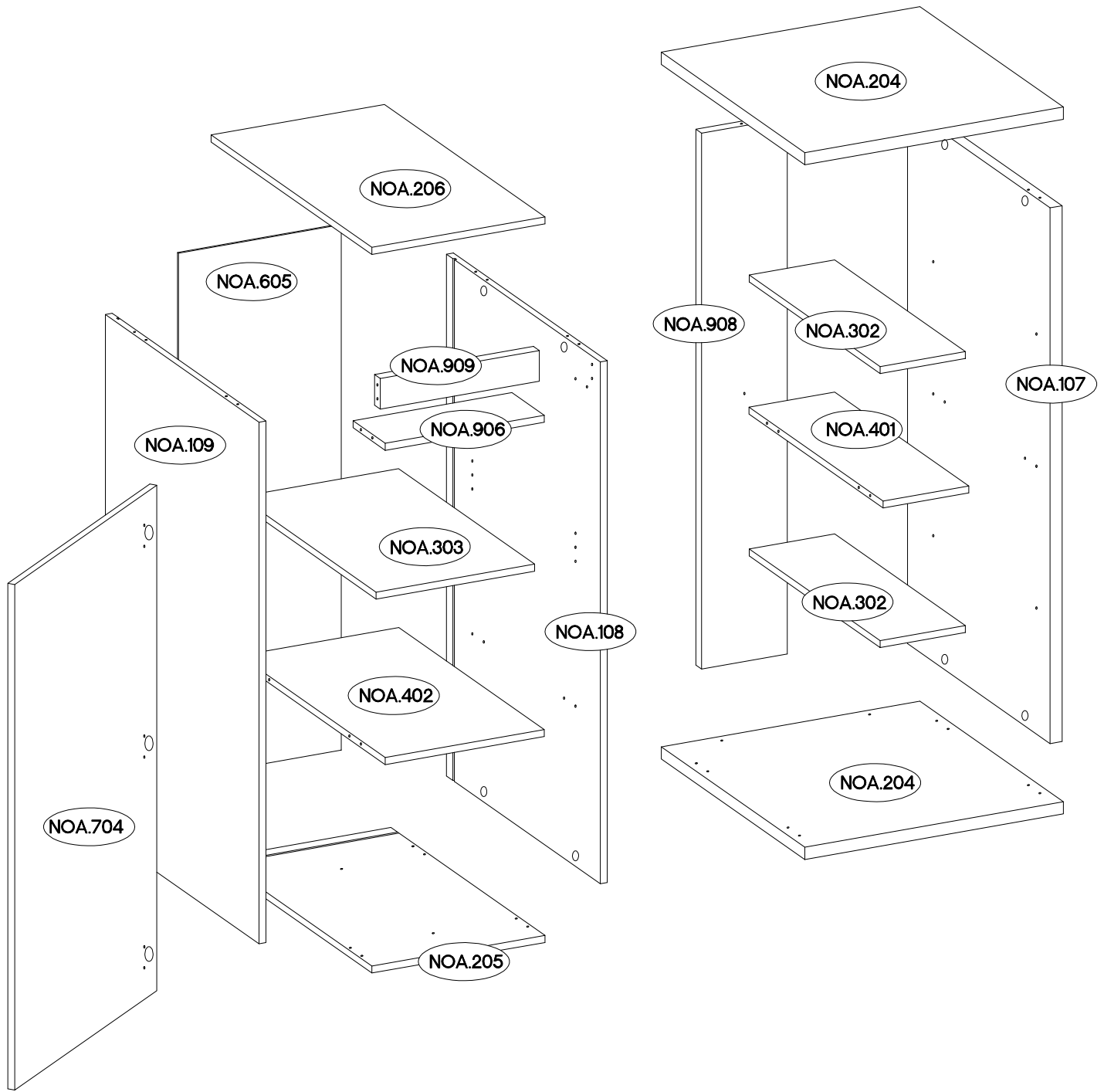
90 min

NANCY 001



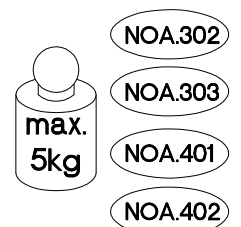
 A	 B	 C	 D2	 ant. E	 szar. E	 E1	 E13			
28	1	22	22	12	10	1	2			
 F28	 HG	 J3	 L	 L9	 O	 O7	 P1	 P5	 P7	 P25
4	3	12	8	1	1	1	8	7	3	4

ISM-NOA-003






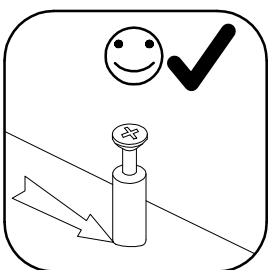
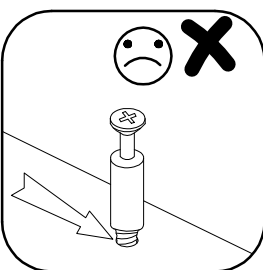
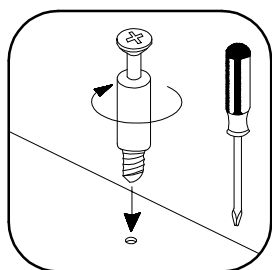
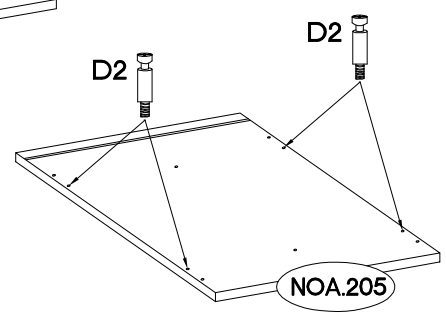
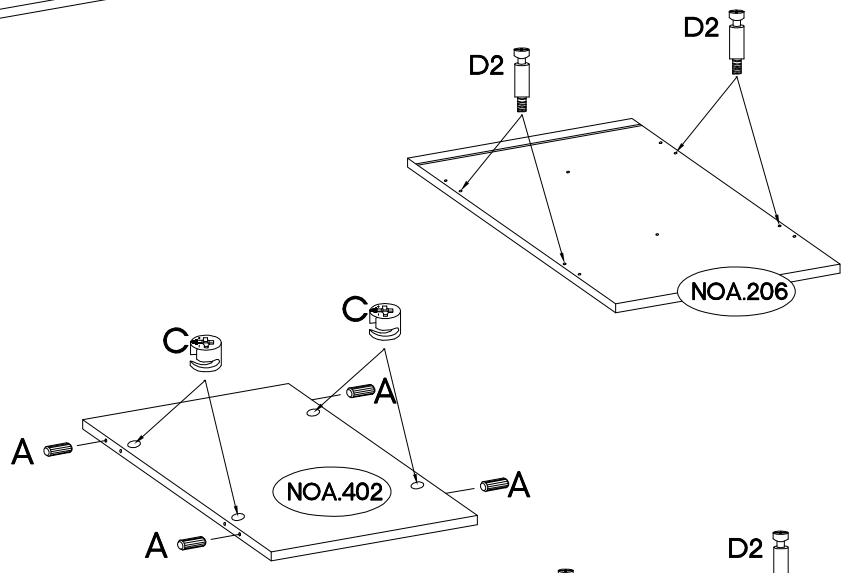
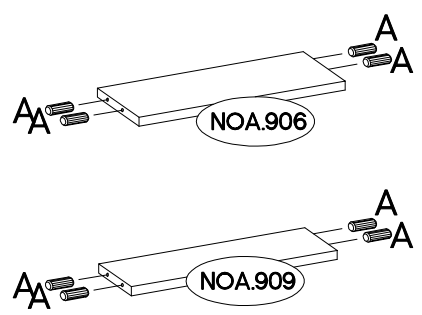
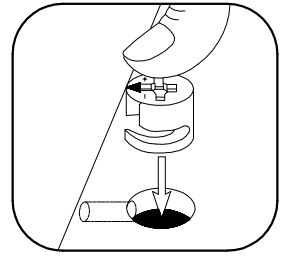
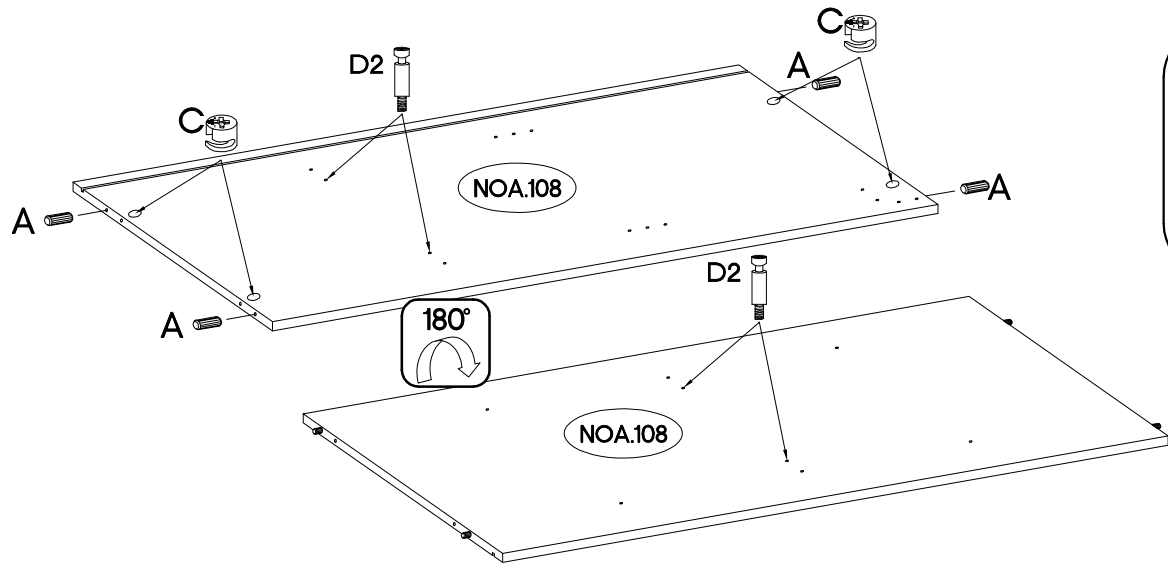
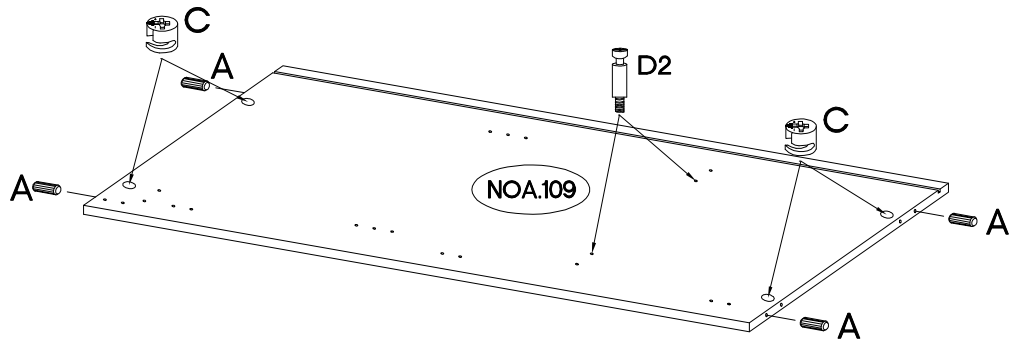
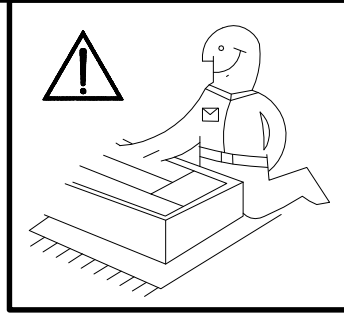
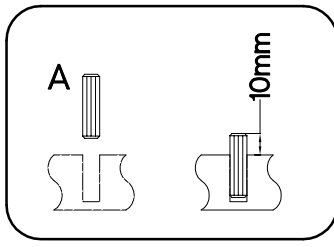
Colli	Ersatzteil Nummer	Dimension
1/2	NOA.108	1192x429x16
	NOA.109	1192x429x16
	NOA.205	402x430x16
	NOA.206	402x448x16
	NOA.302 x2	198x365x16
	NOA.303	368x380x16
	NOA.401	199x374x16
	NOA.402	369x406x16
	NOA.604	1201x378x2,5
	NOA.906	369x90x16
NOA.909	369x70x16	

Colli	Ersatzteil Nummer	Dimension
2/2	NOA.107	1224x398x28
	NOA.204 x2	600x400x28
	NOA.704	1155x396x16
	NOA.908	1224x199x16

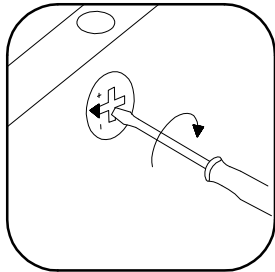
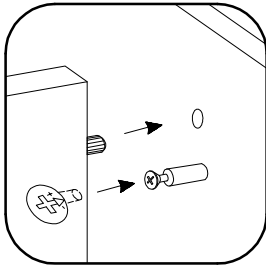
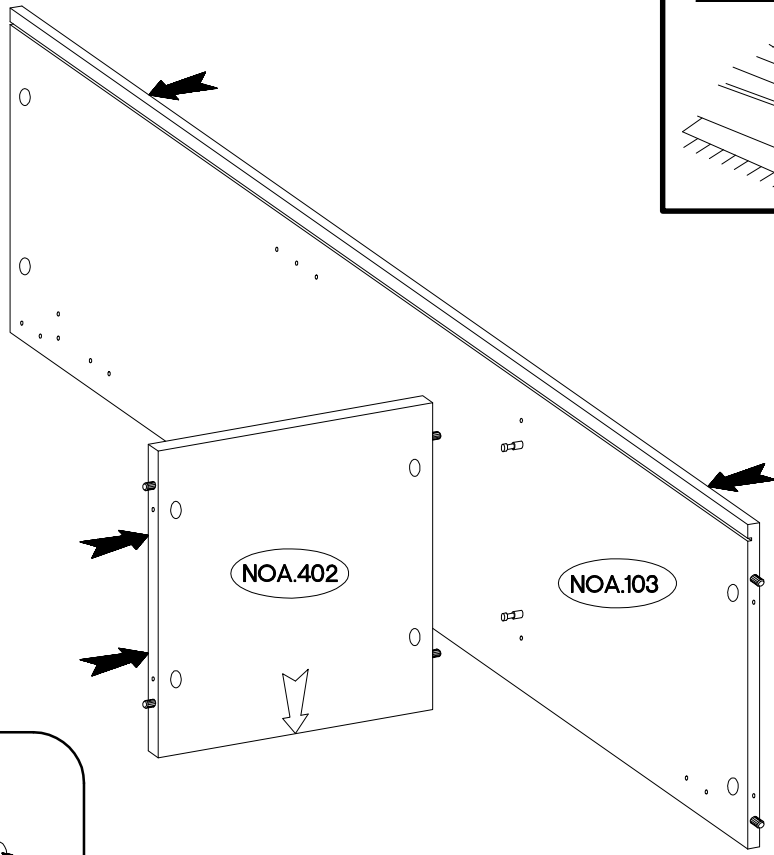
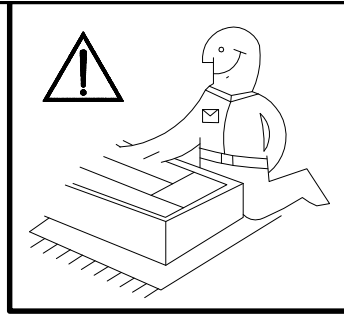


1

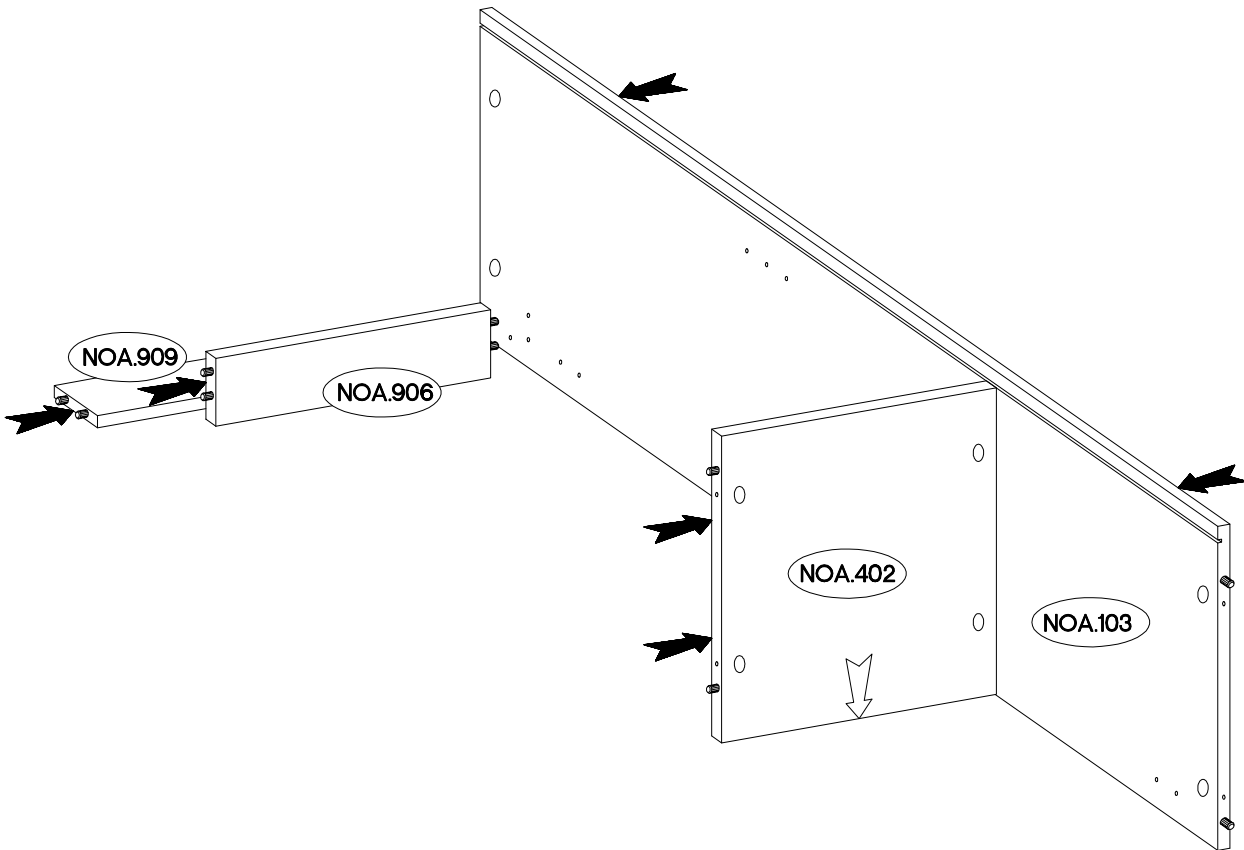
 A 20	 D2 14	 C 12
--	---	--



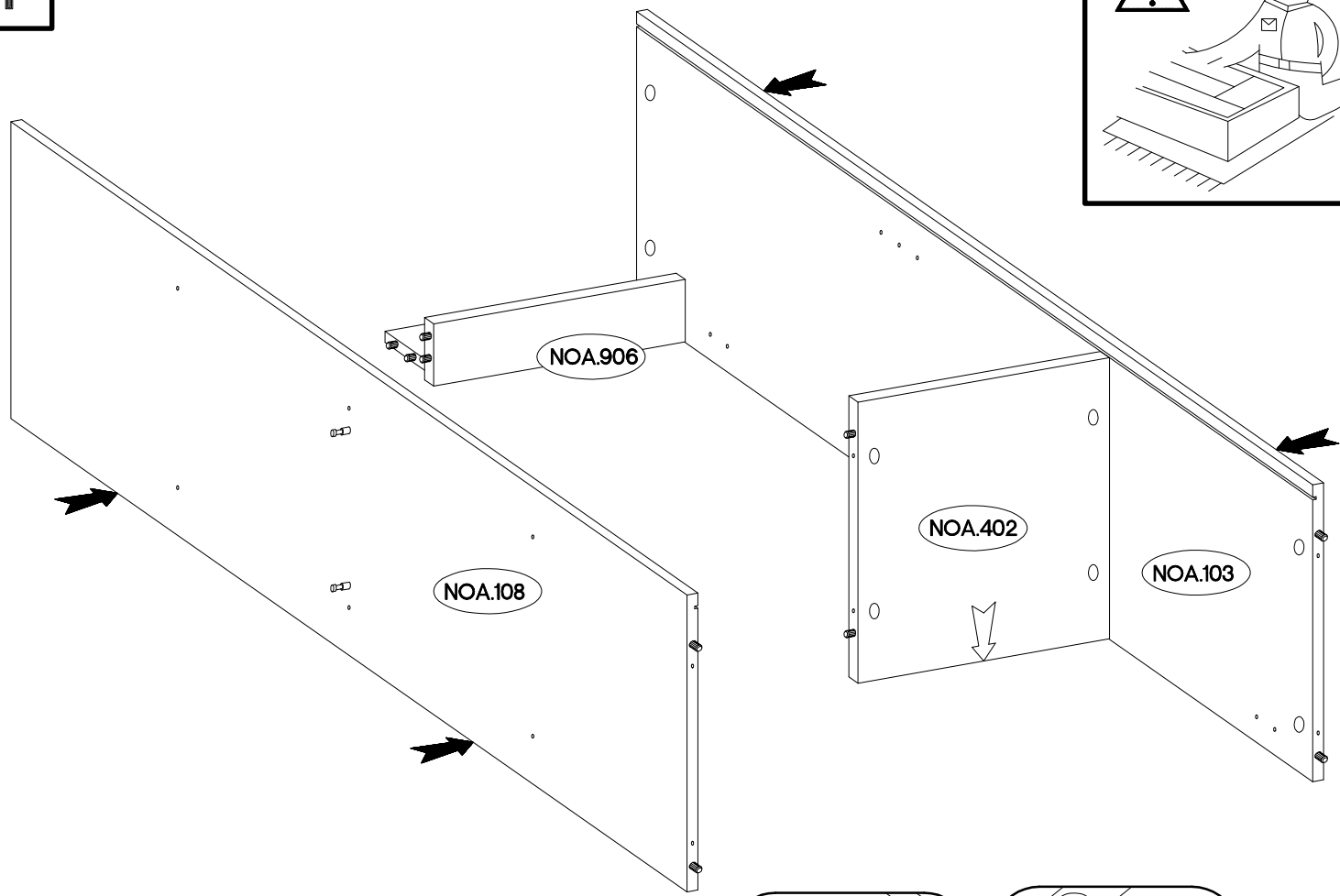
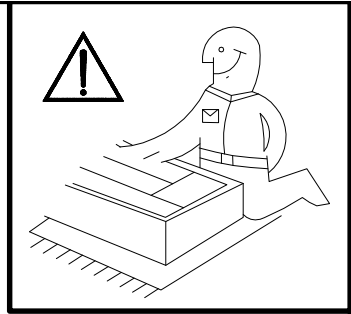
2



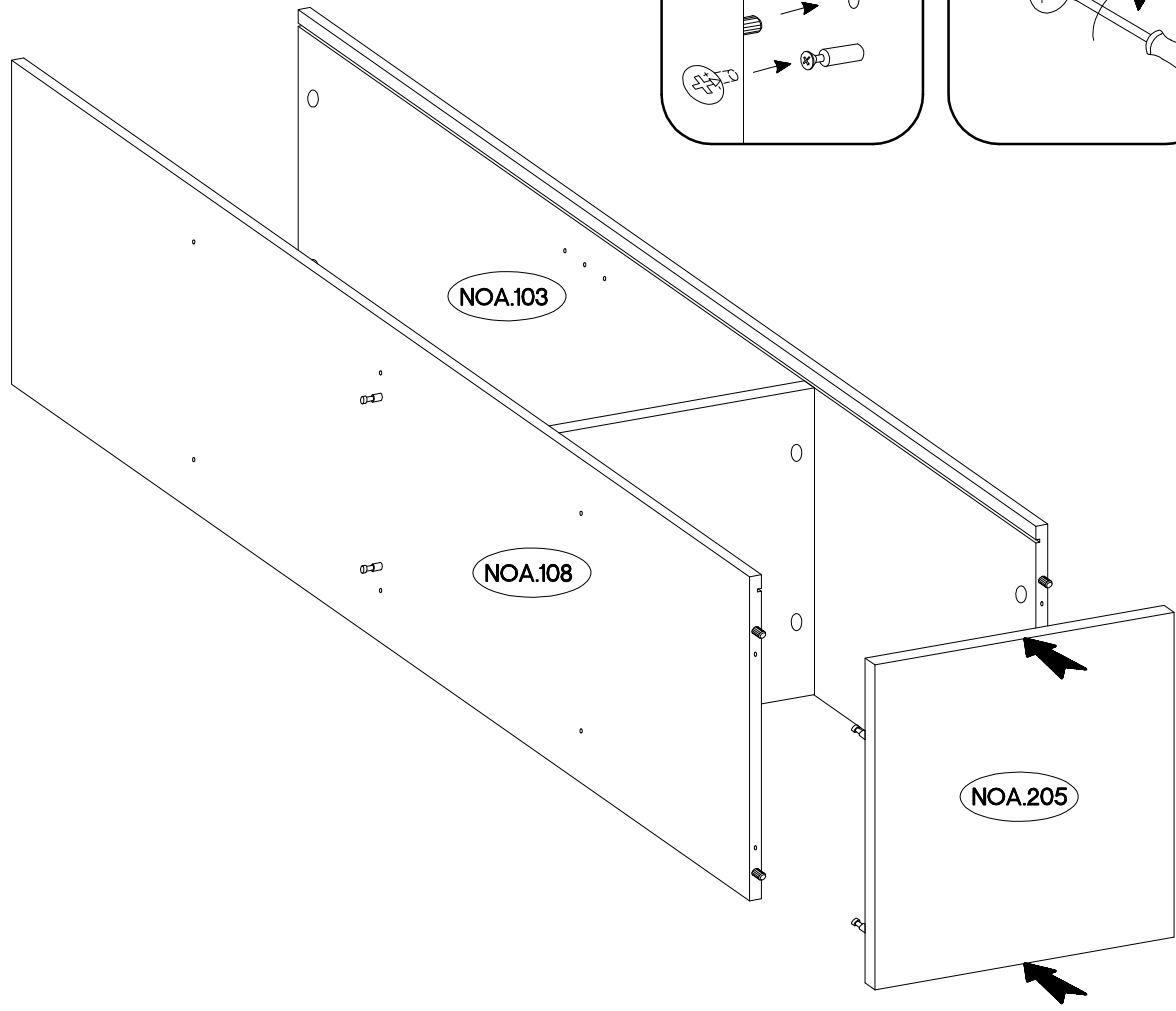
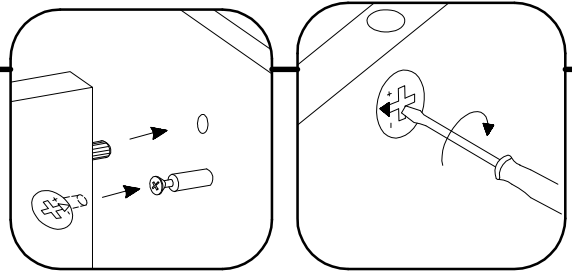
3



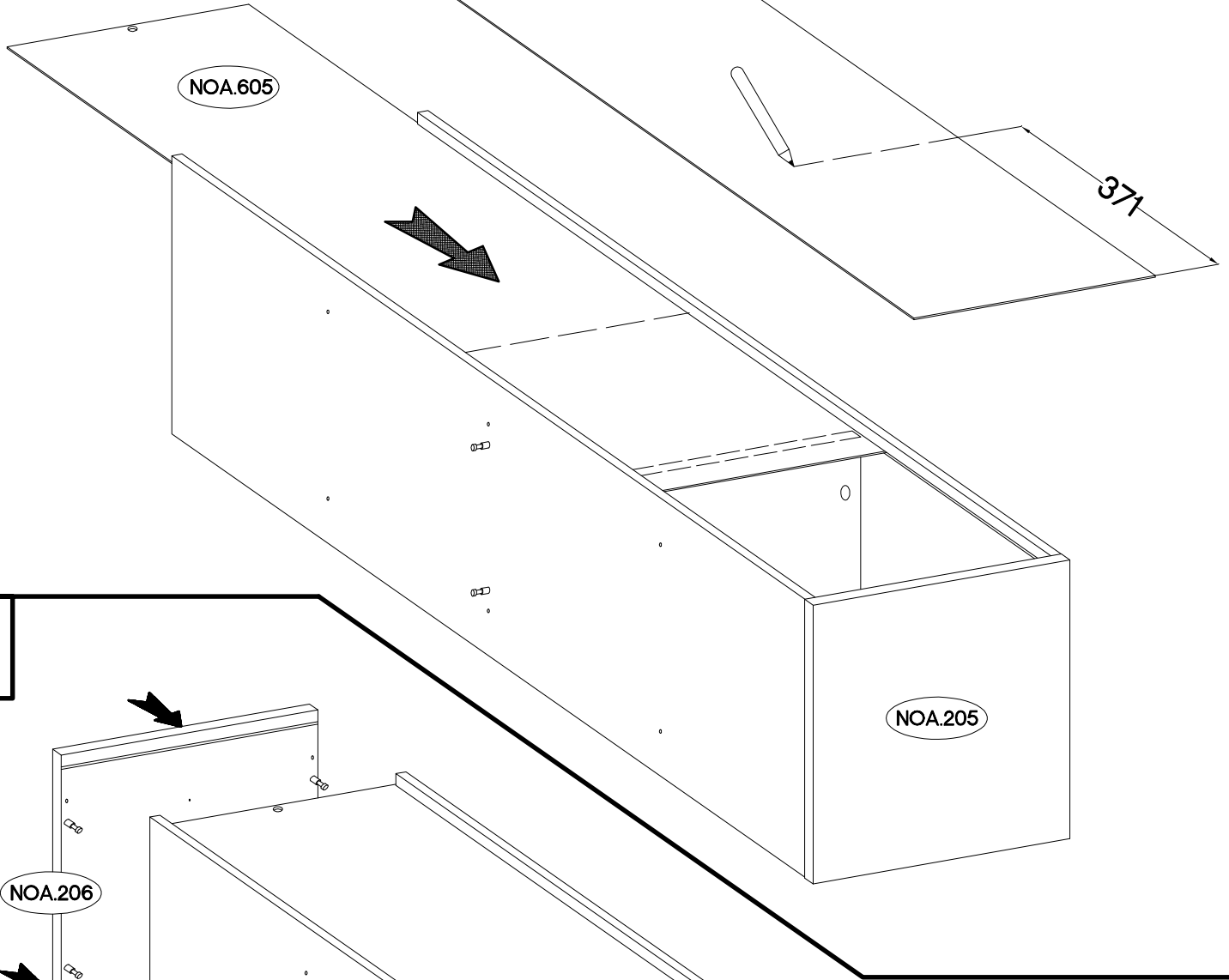
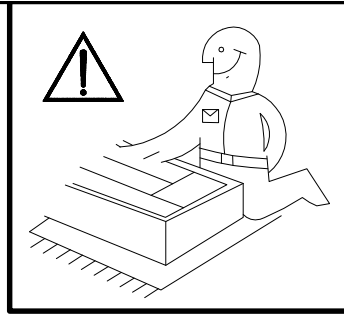
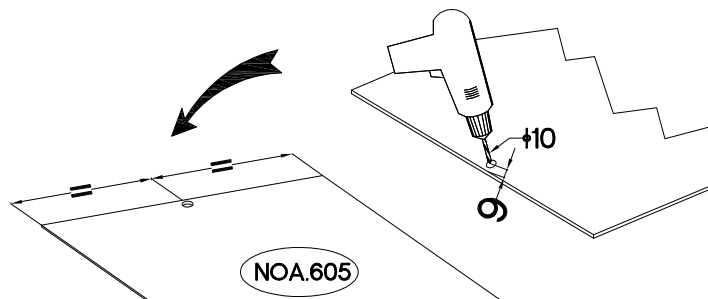
4



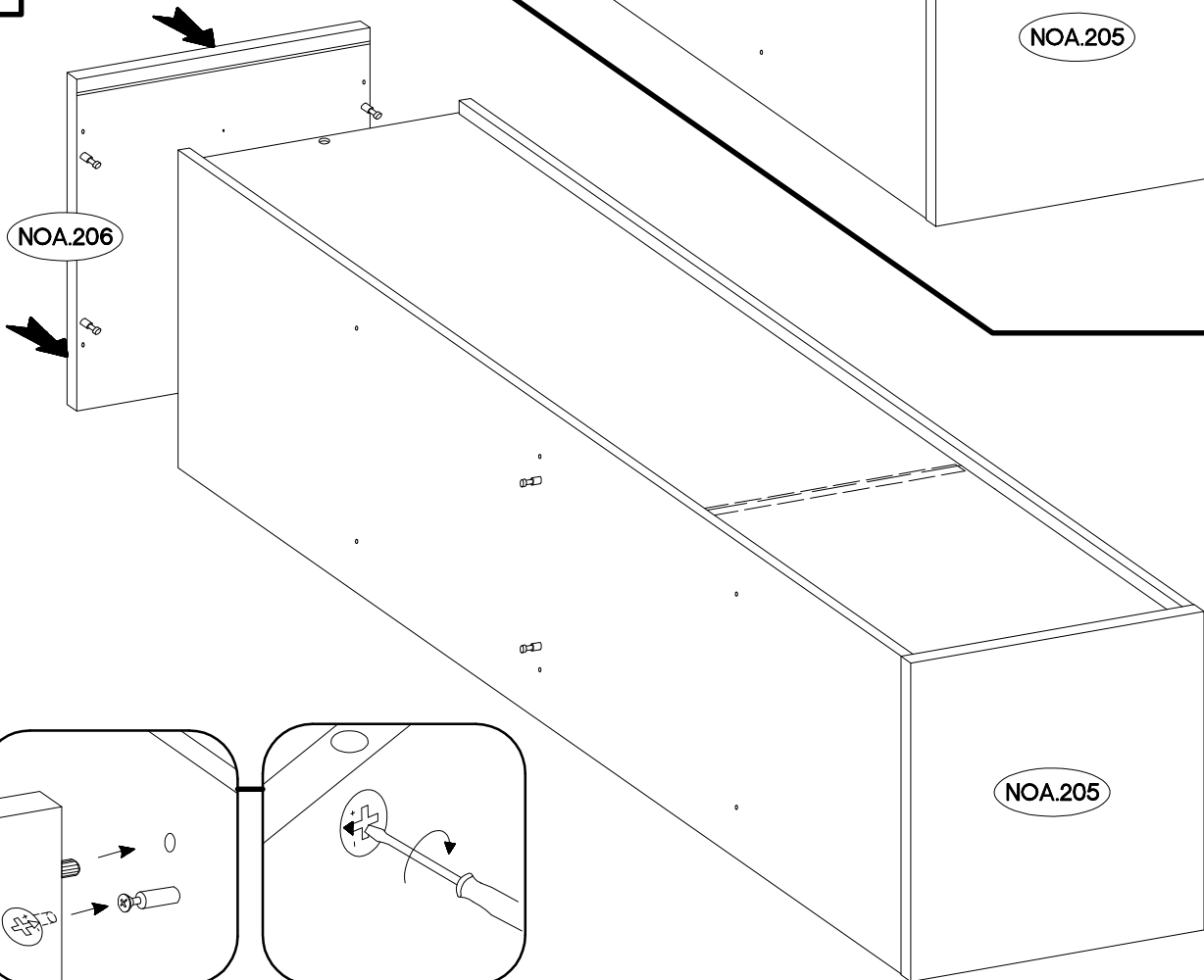
5




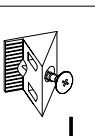
6

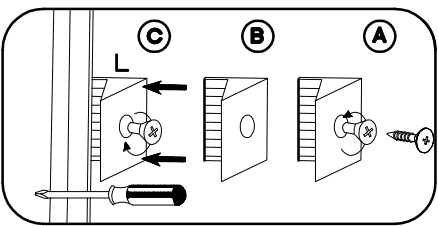
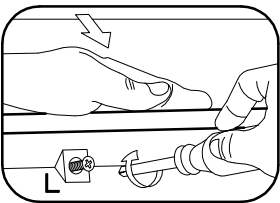
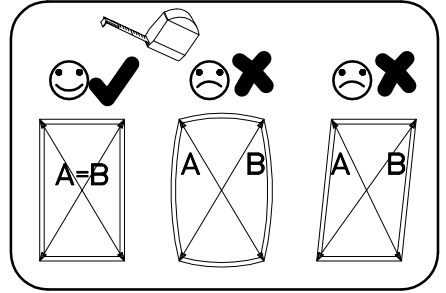
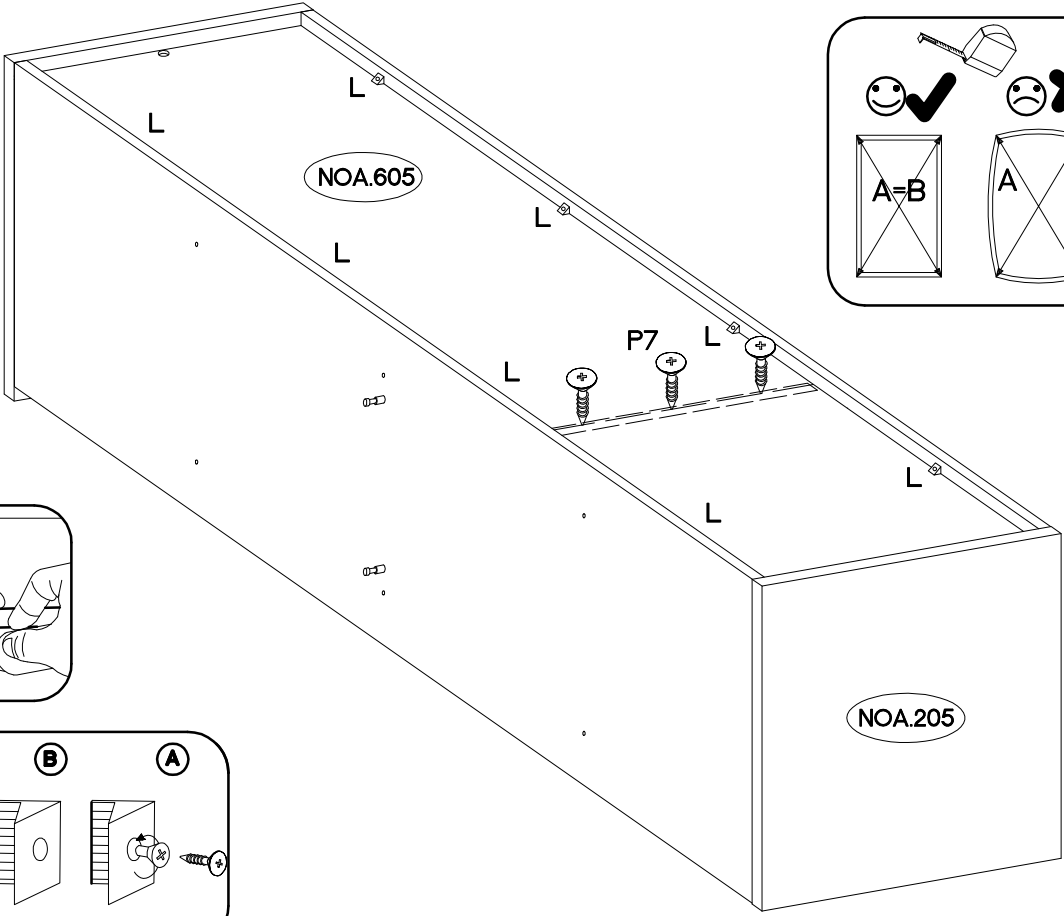
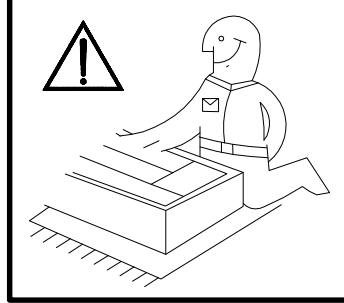
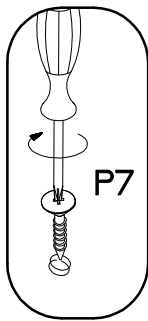


7

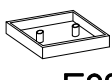



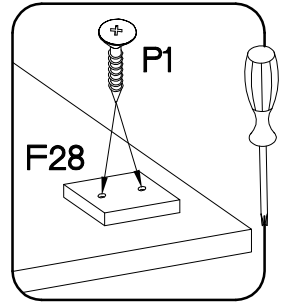
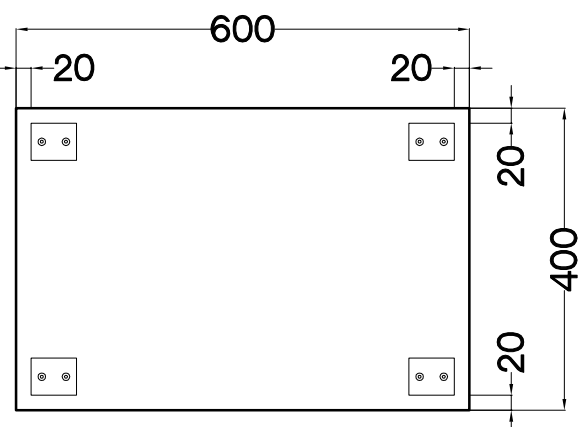
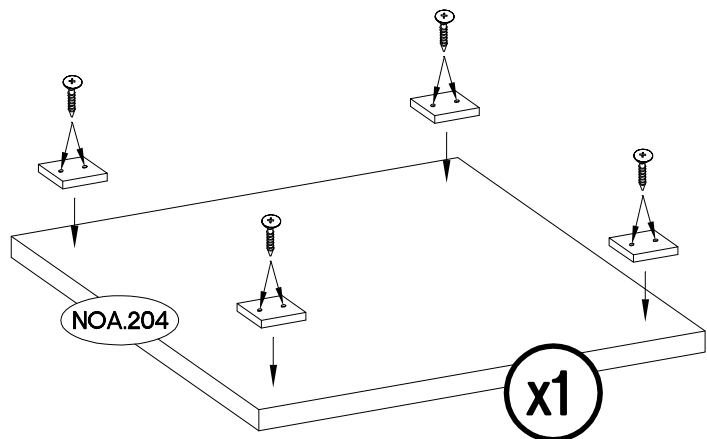
8

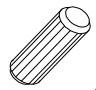
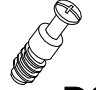

†3.0x20mm  P7 3	 L 8
---	---

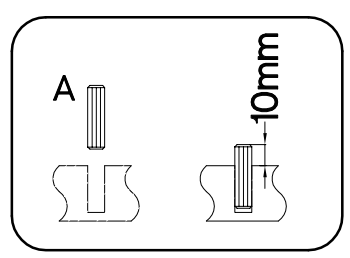
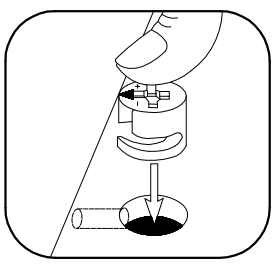
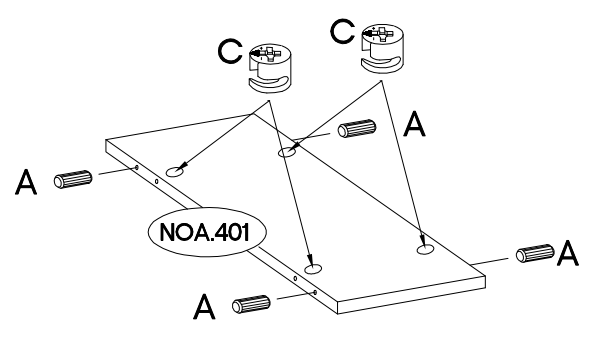
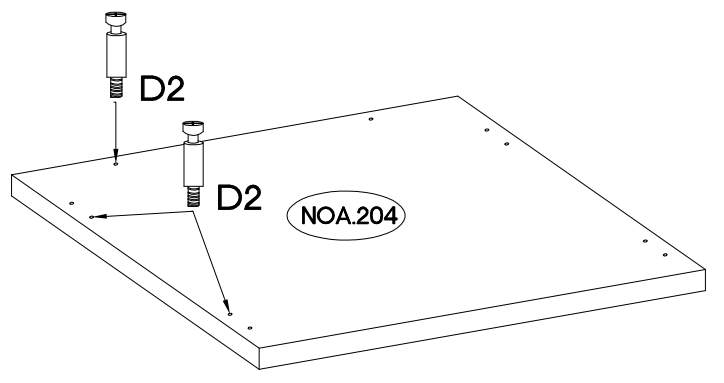
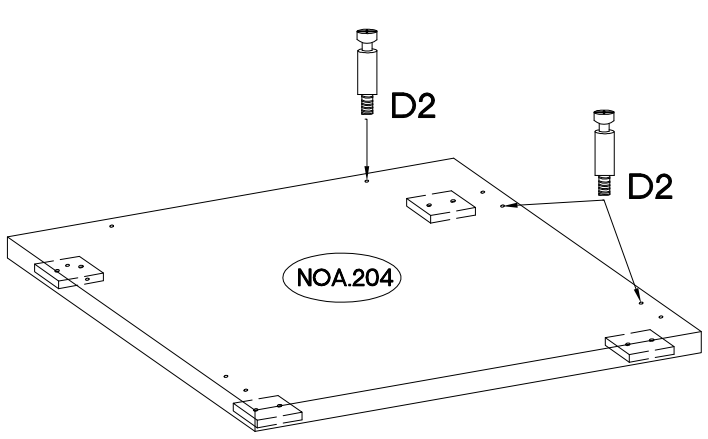
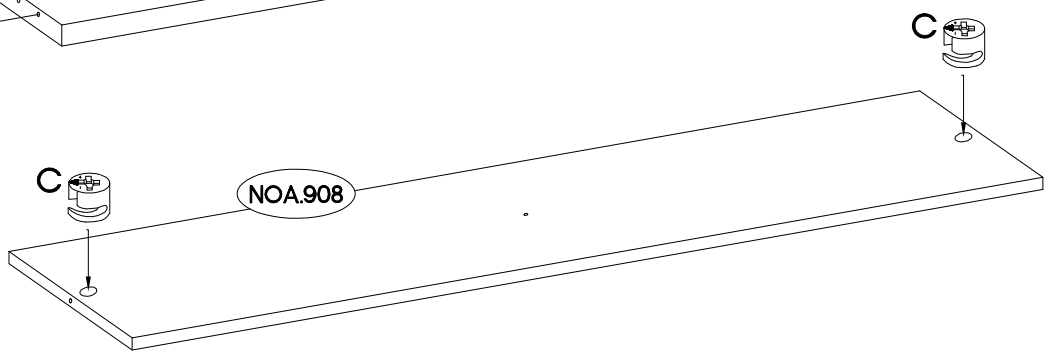
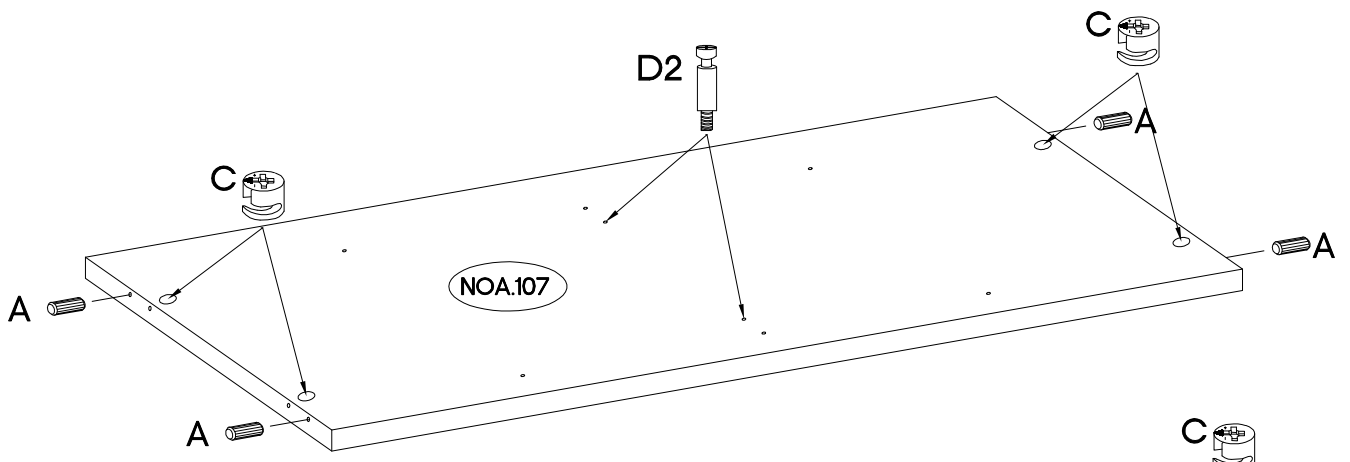
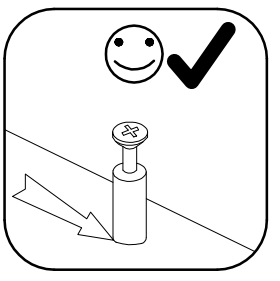
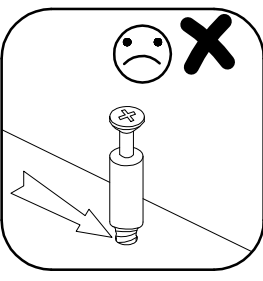
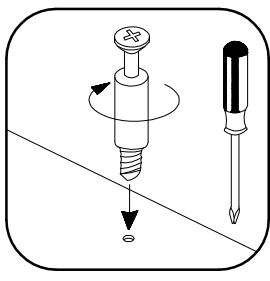


9

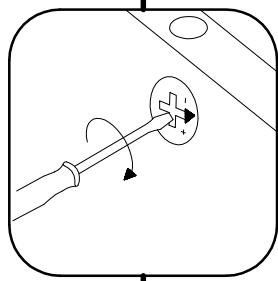
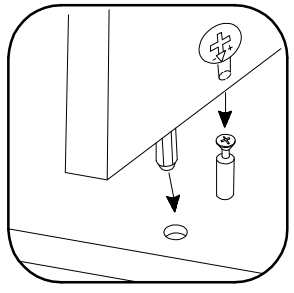
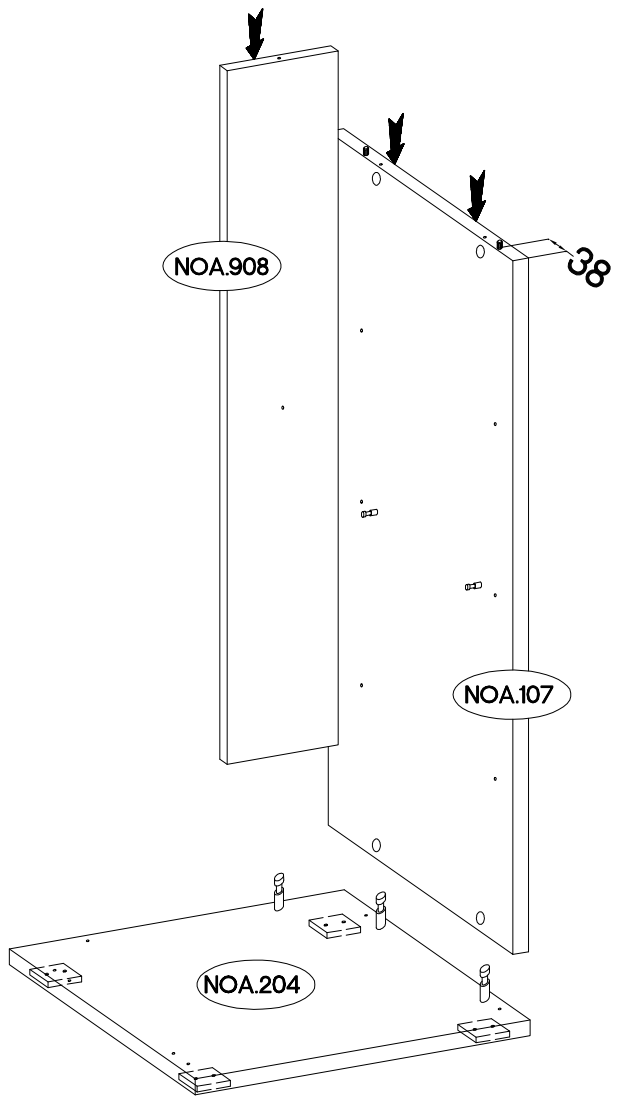
60x49x10  F28 4	†4.0x16mm  P1 8
--	--



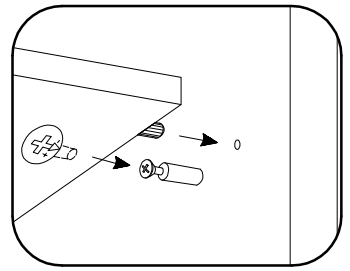
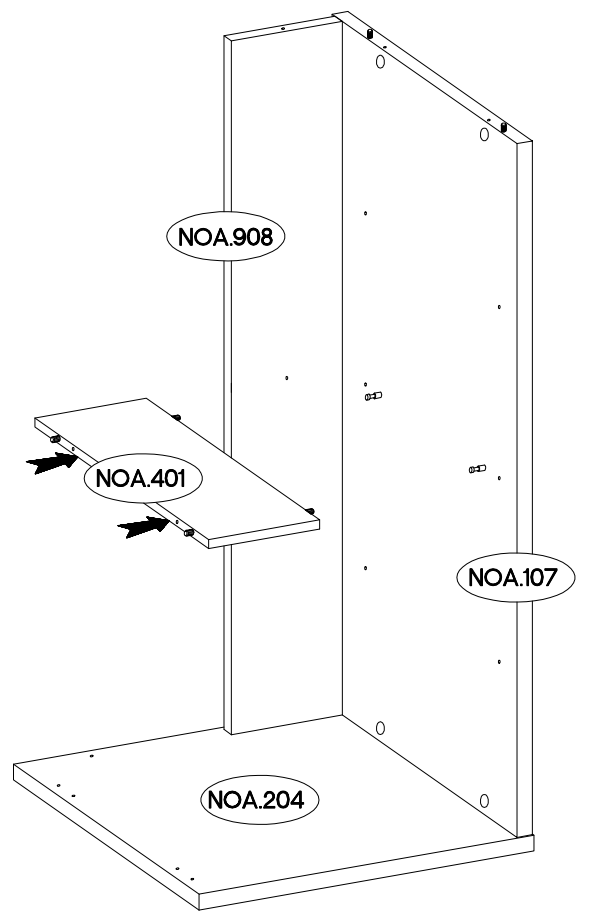
$\varnothing 8 \times 30 \text{mm}$  A 8	L=20mm  D2 8	$\varnothing 15/12 \text{mm}$  C 10
---	---	--



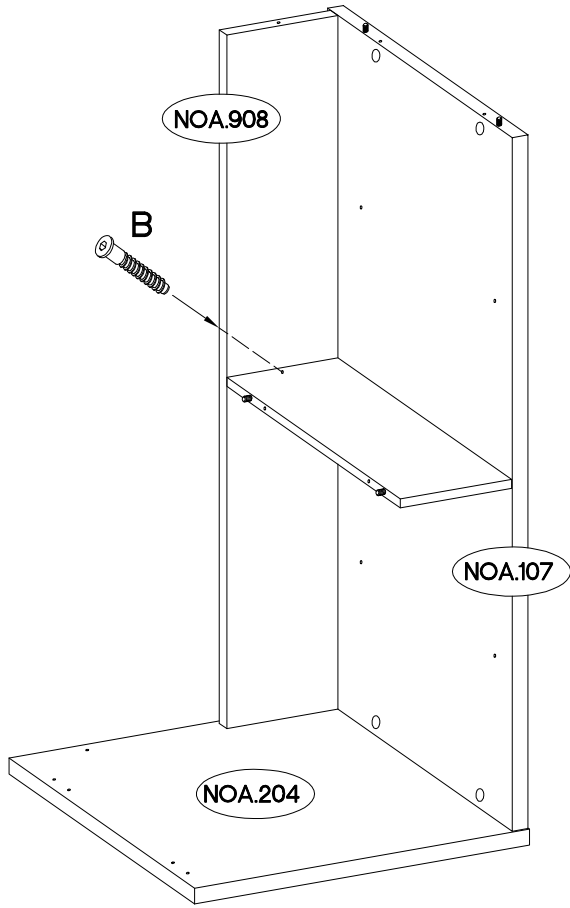
11


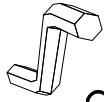



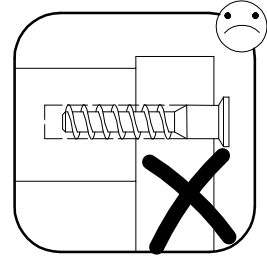
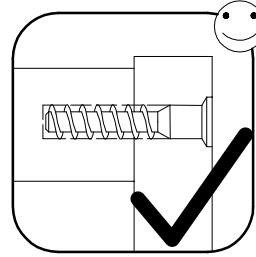
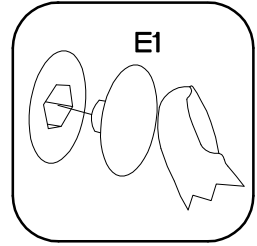
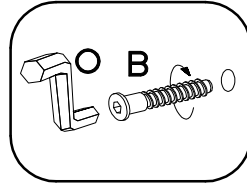
12



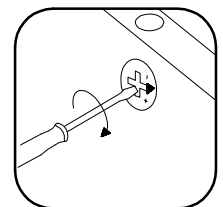
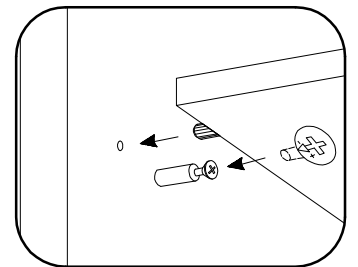
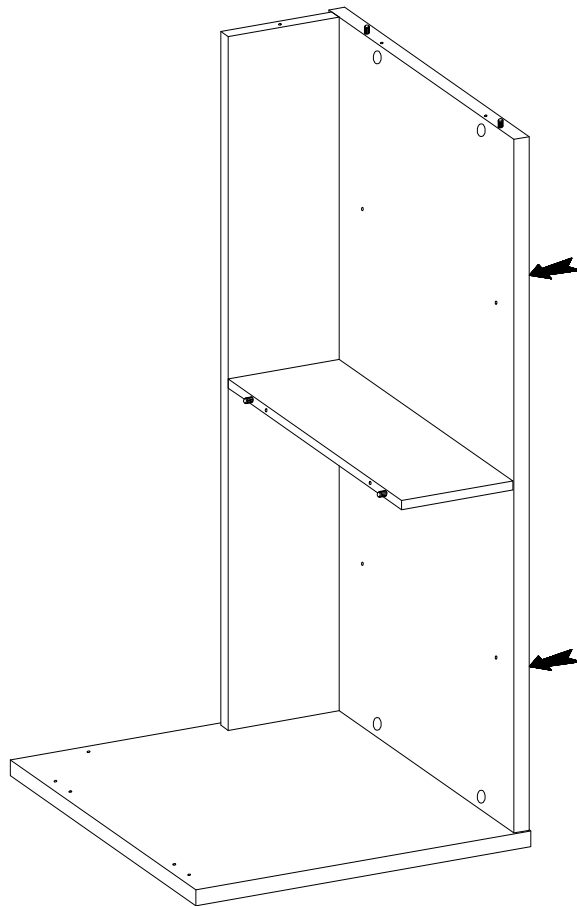
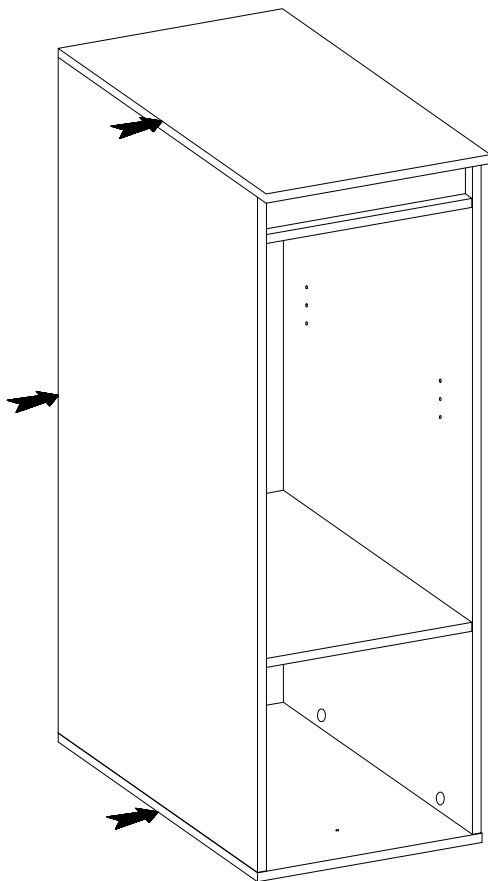
13



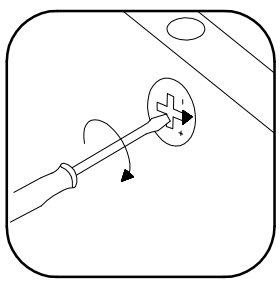
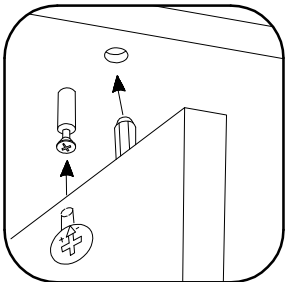
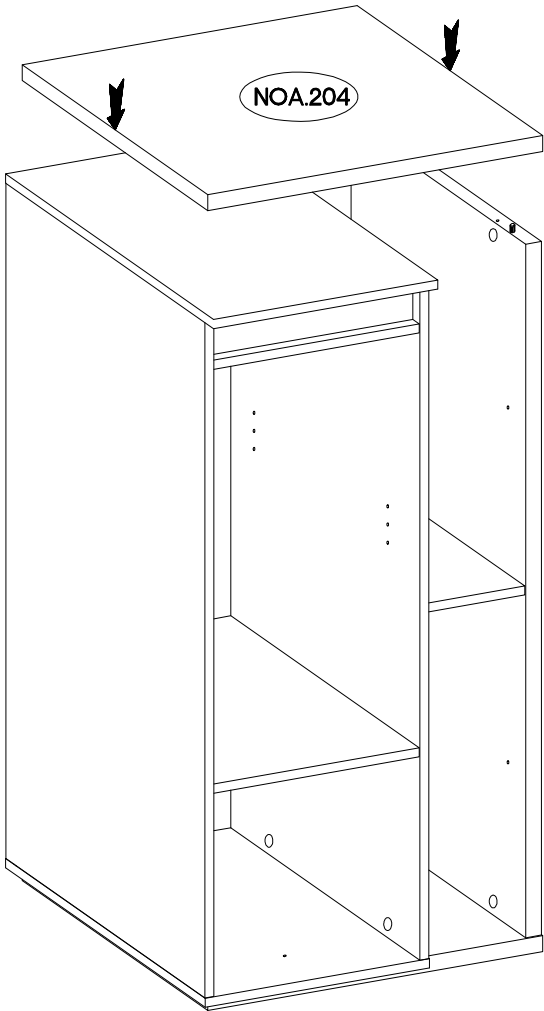
6,4 x 50mm		
		
B	O	E1
1	1	1



14

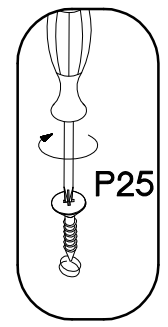
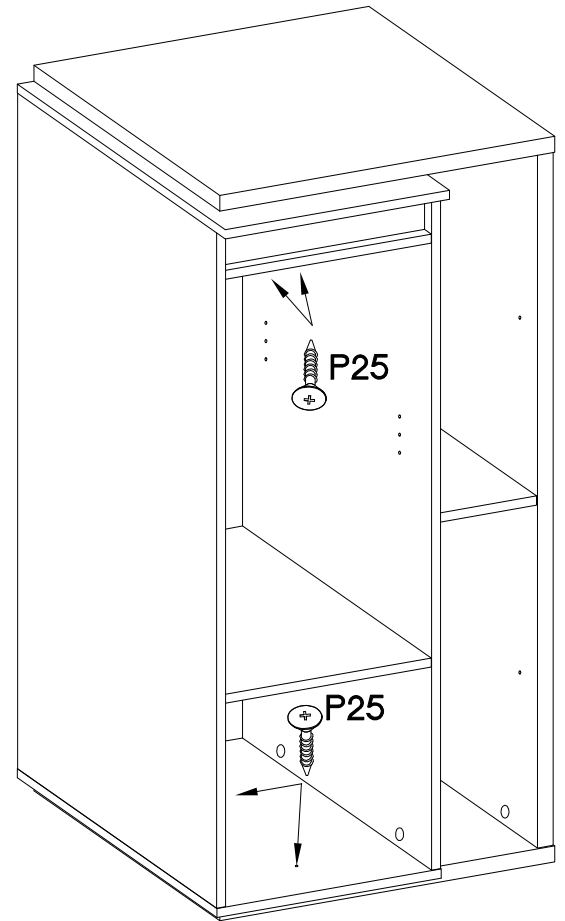


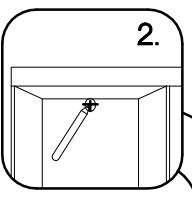
15



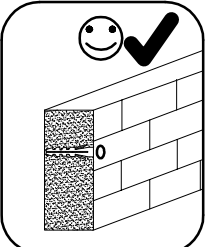
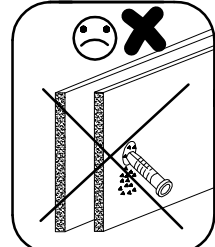
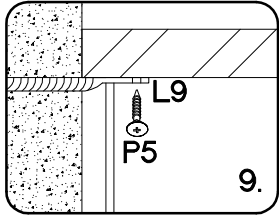
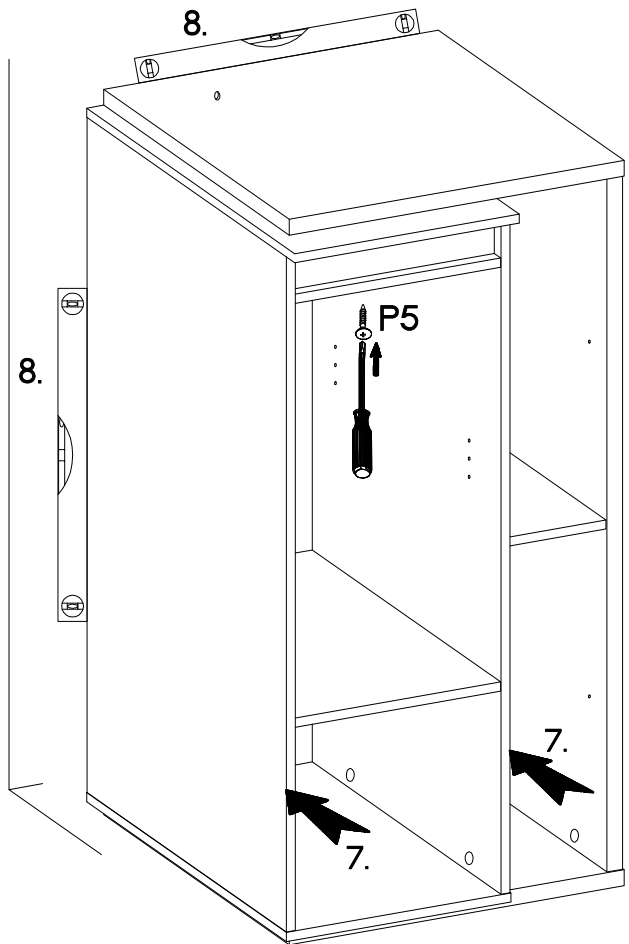
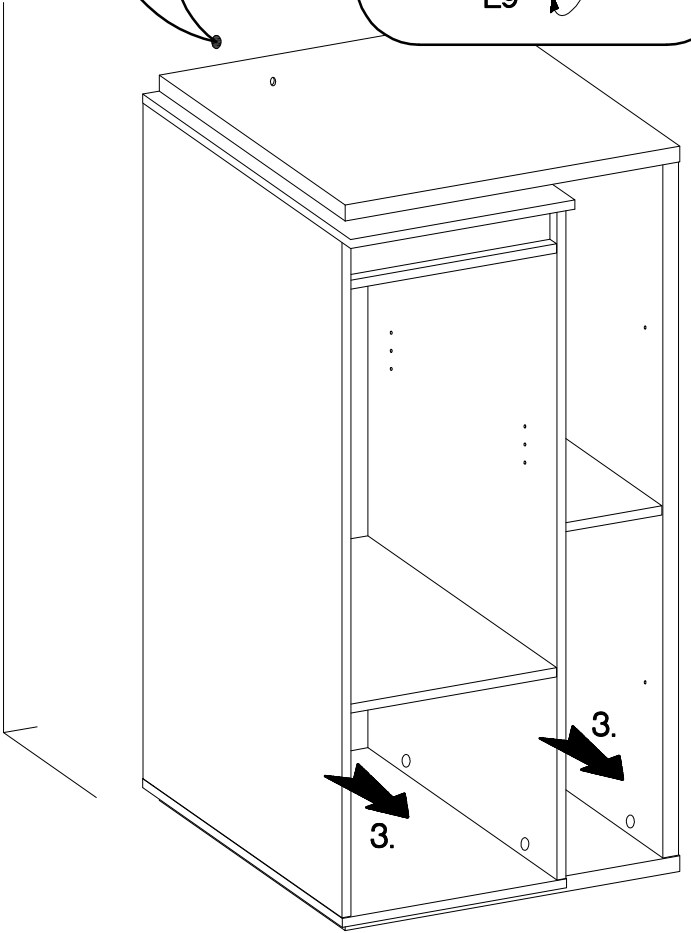
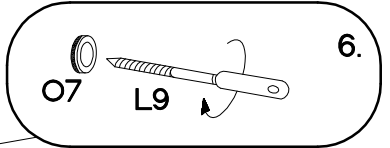
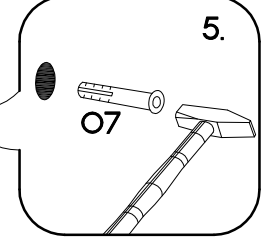
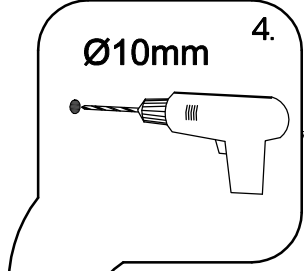
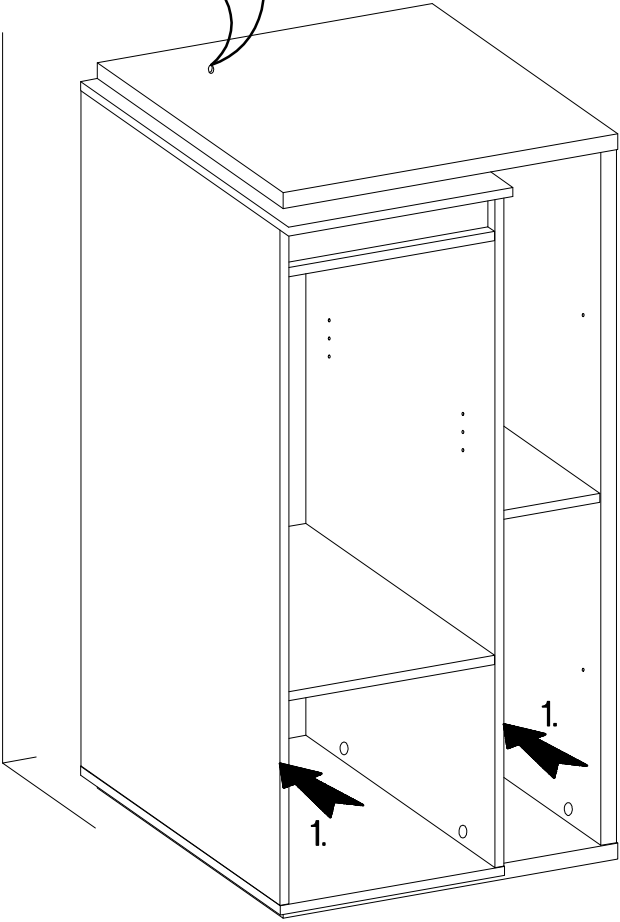
16

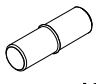


±3.5x25mm
BLACK
P25
4

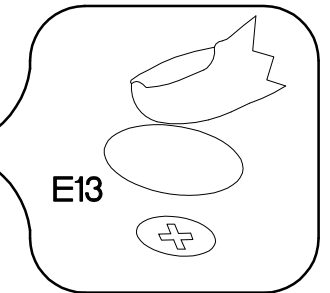
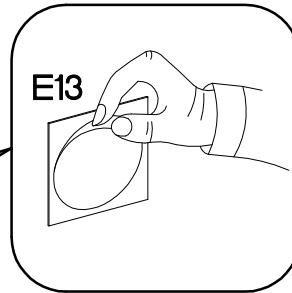
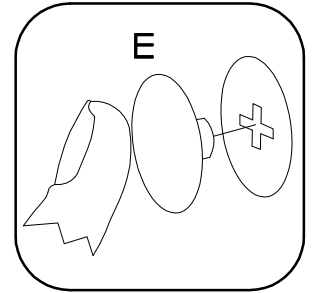
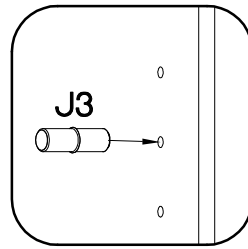
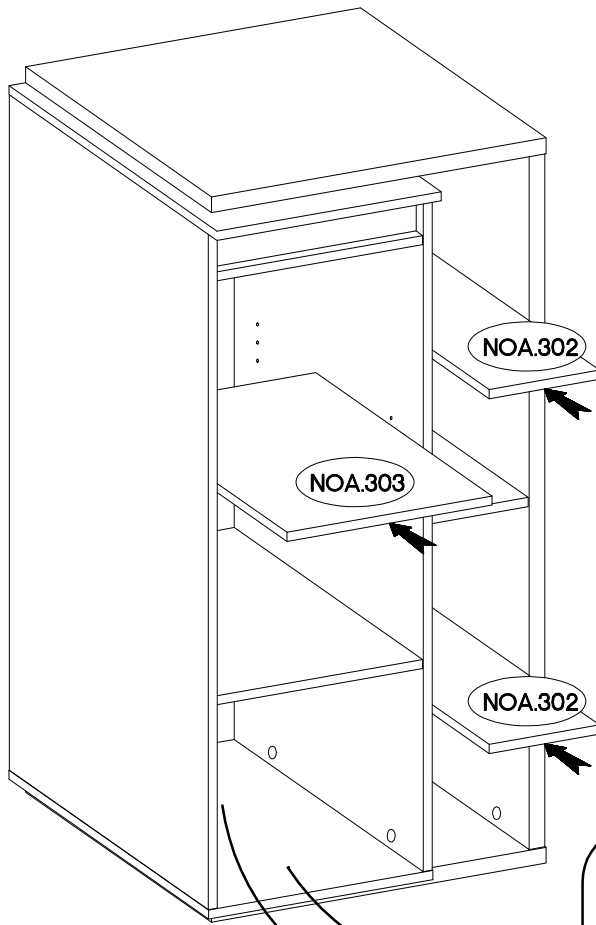






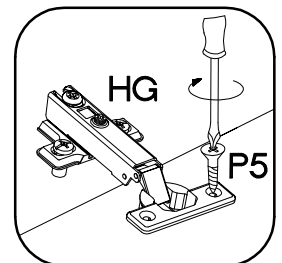
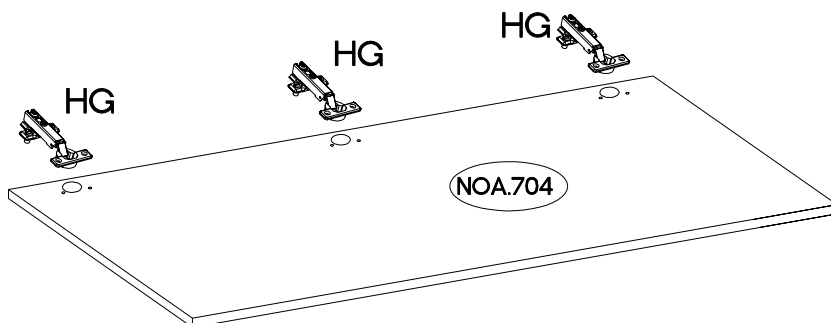
$\pm 10 \times 50 \text{mm}$ O7 1	 L9 1	$\pm 3.5 \times 13 \text{mm}$ P5 1
---	-------------	--

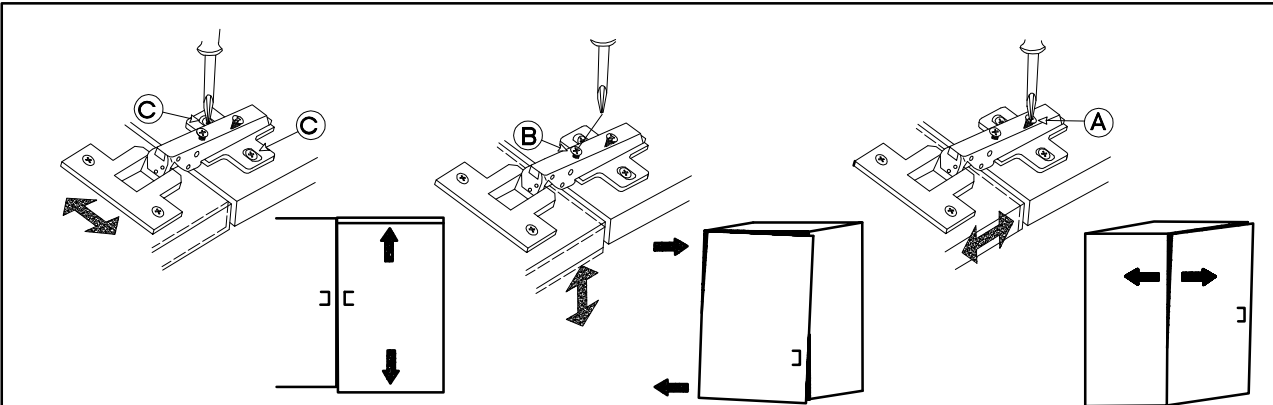
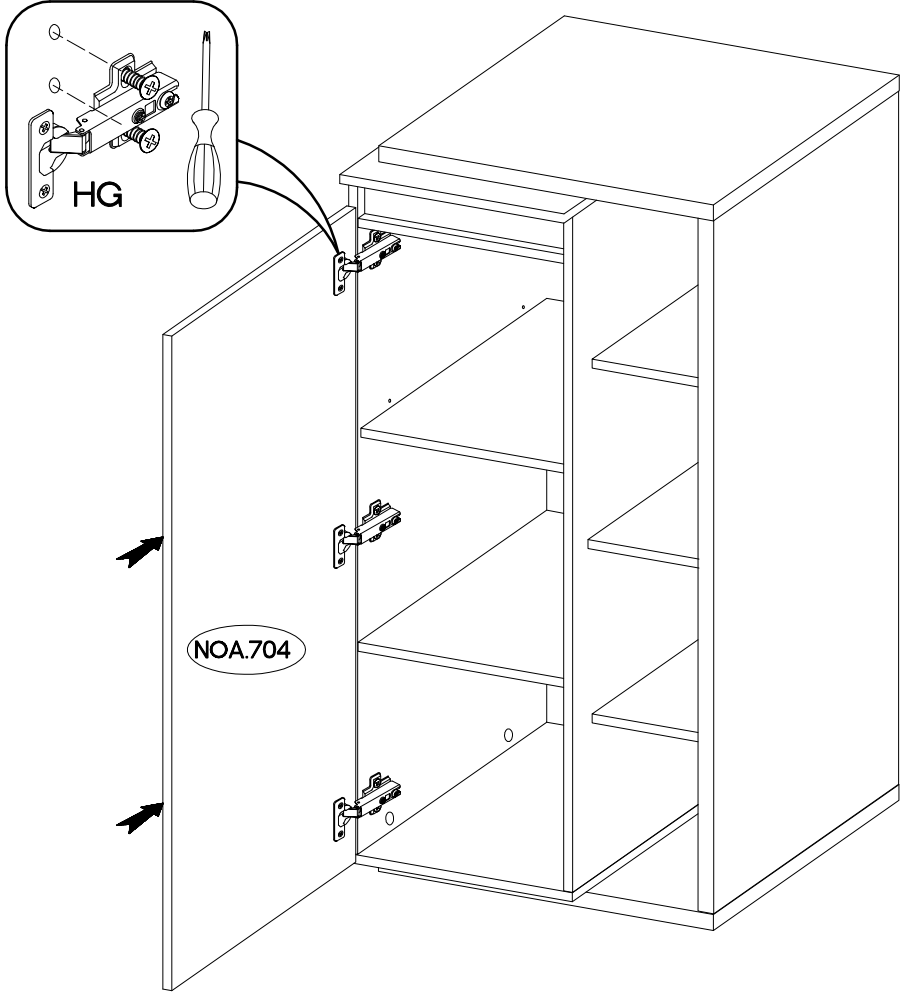


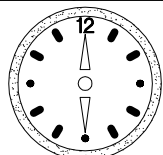
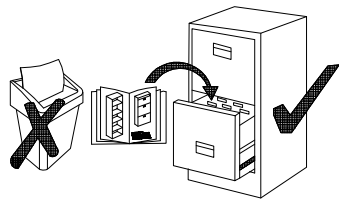
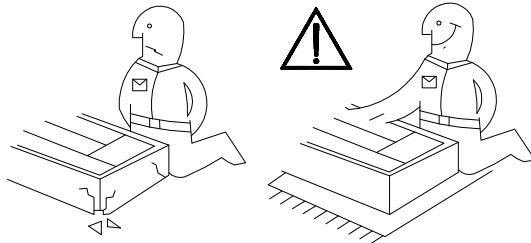
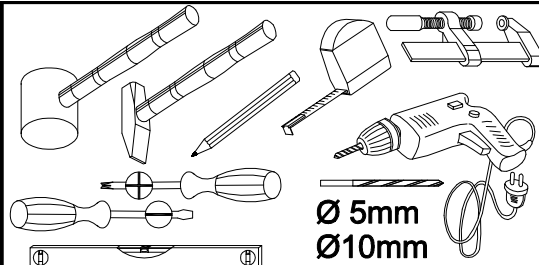
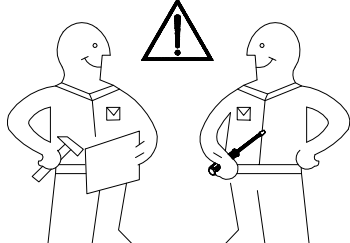
±5/16mm				±14
	J3	ant. E	szar. E	E13
	12	12	10	2



±35/0mm	±3.5x13mm
	
HG	P5
3	6

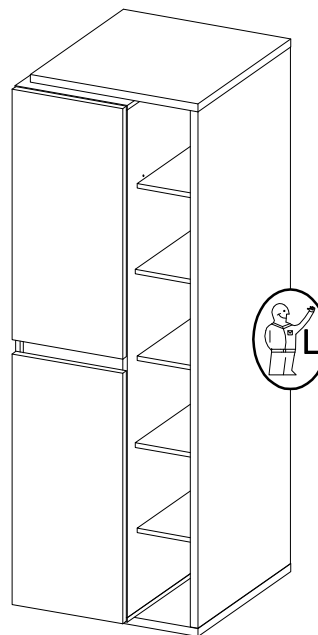
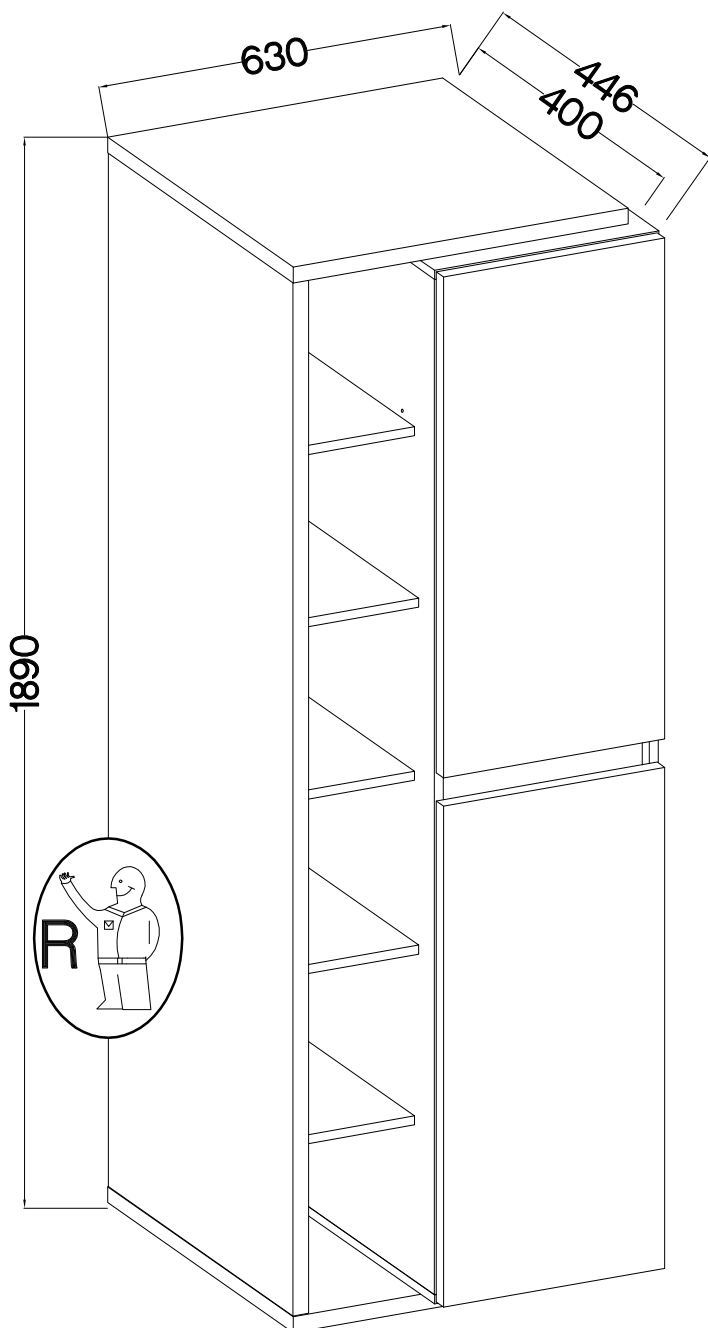
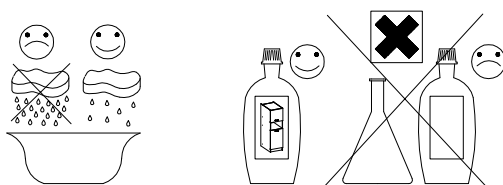






90 min

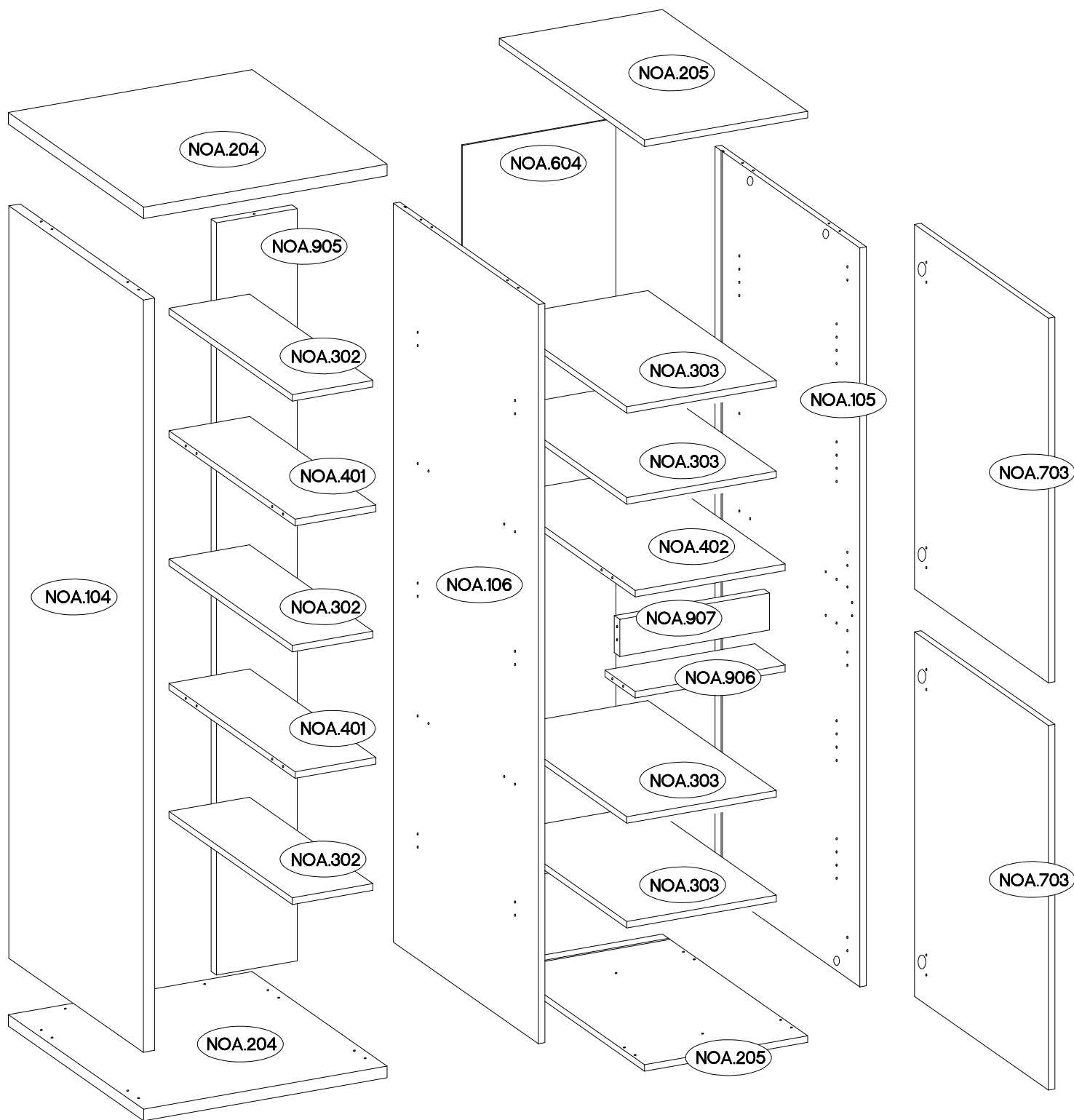
NANCY 101



†8x30mm A	6,4 x 50mm B	†15/12mm C	L=20mm D2
32	2	26	26
60x49x10 F28	†35/0mm HG	†5/16mm J3	†10x50mm O7
4	4	28	1
 L	 L9	 O	
14	1	1	

 ant. E	 szar. E	 E1	†14 E13
12	14	2	4
†4.0x16mm P1	†3.5x13mm P5	†3.0x20mm P7	†3.5x25mm BLACK P25
8	9	3	4

ISM-NOA-002

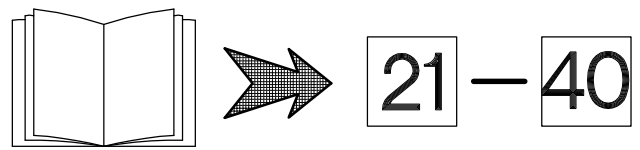
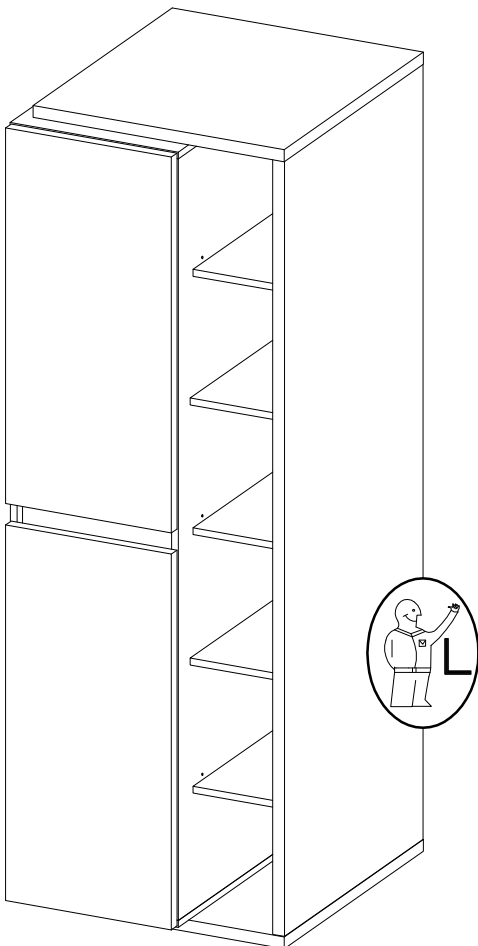
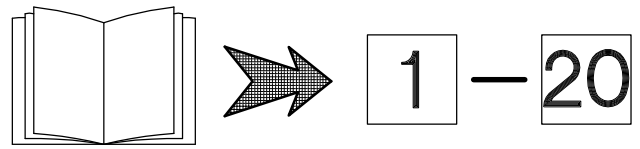
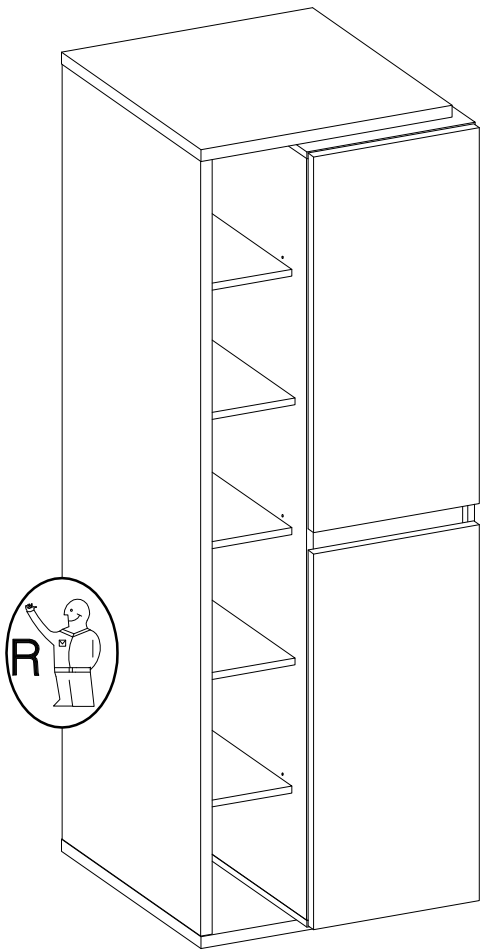


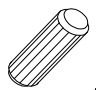
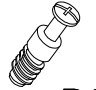

Colli	Ersatzteil Nummer	Dimension
1/2	NOA.204 x2	600x400x28
	NOA.205 x2	402x430x16
	NOA.302 x3	198x365x16
	NOA.303 x4	368x380x16
	NOA.401 x2	199x374x16
	NOA.402	369x406x16
	NOA.703 x2	884x396x16
	NOA.906	369x90x16
NOA.907	369x90x16	

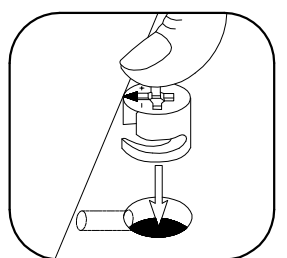
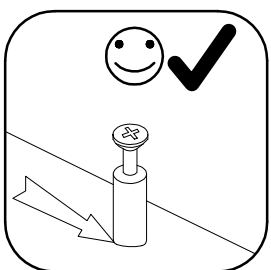
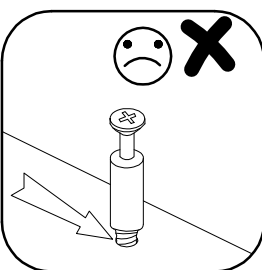
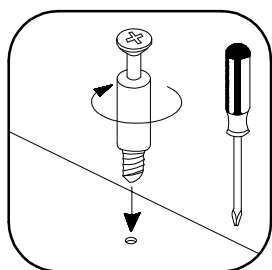
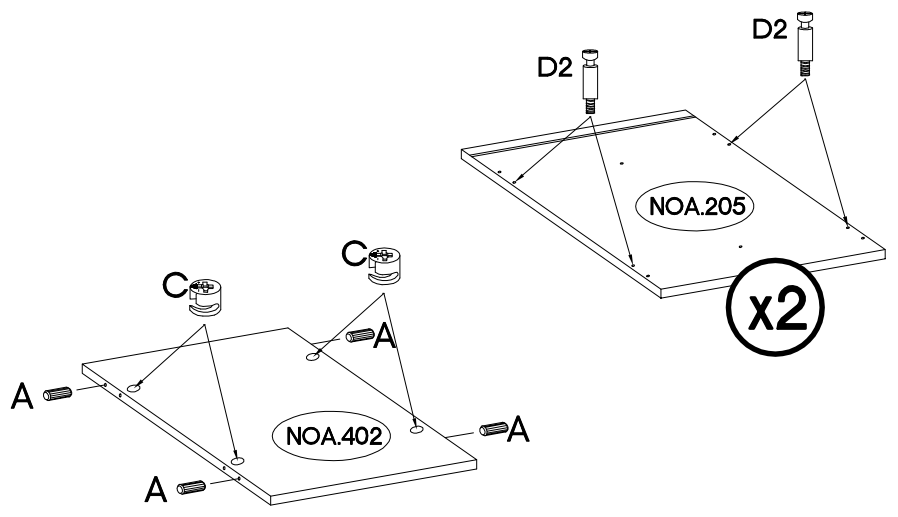
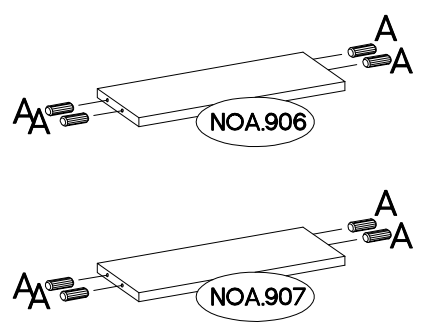
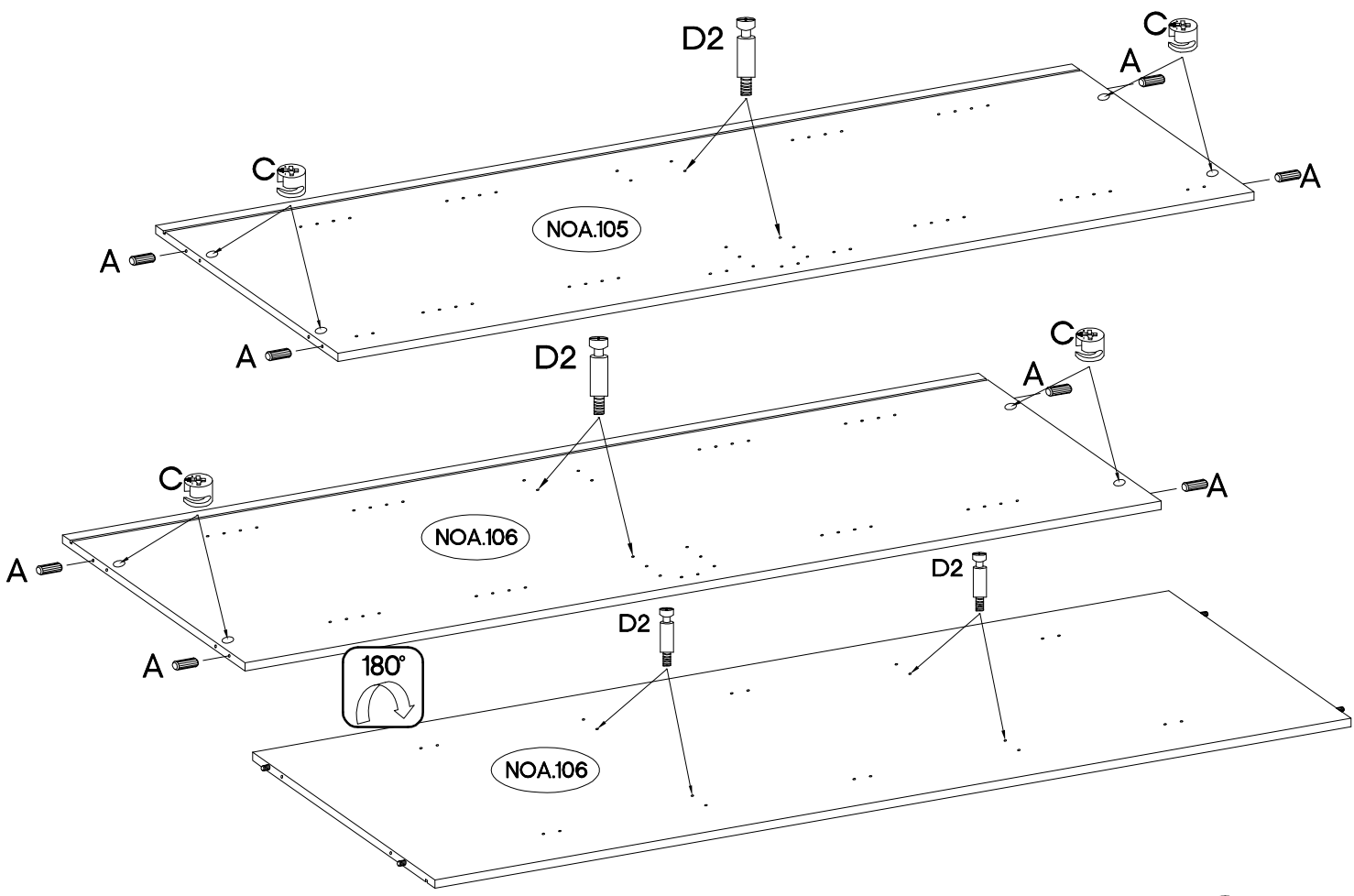
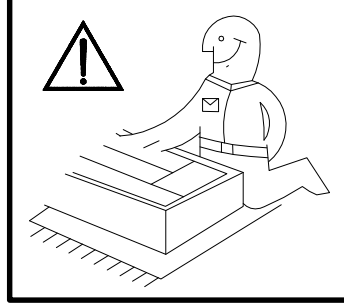
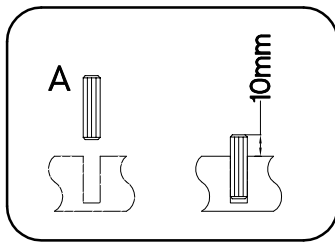
Colli	Ersatzteil Nummer	Dimension
2/2	NOA.104	1824x398x28
	NOA.105	1792x429x16
	NOA.106	1792x429x16
	NOA.604	1801x378x2,5
	NOA.905	1824x199x16



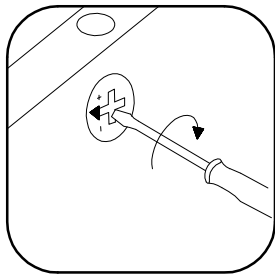
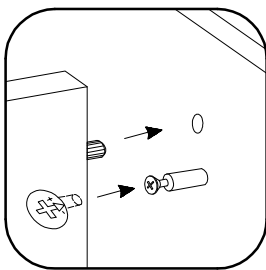
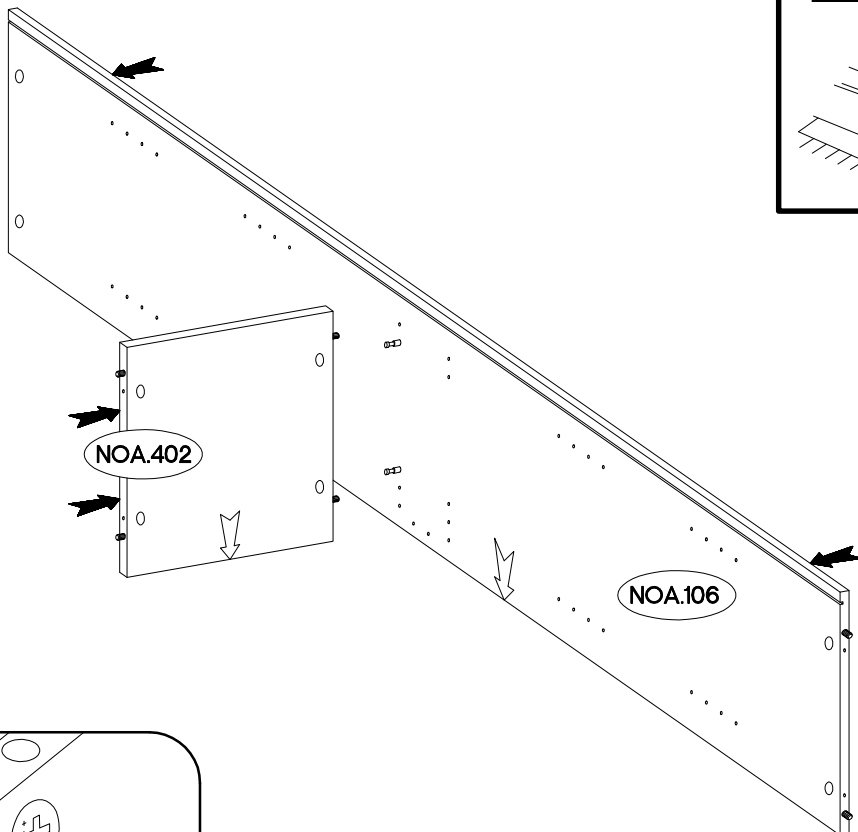
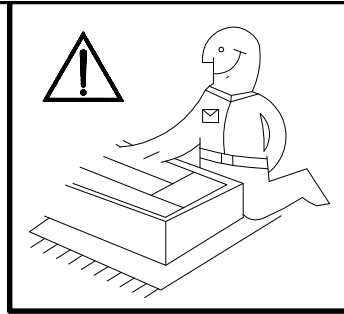
- NOA.302
- NOA.303
- NOA.401
- NOA.402



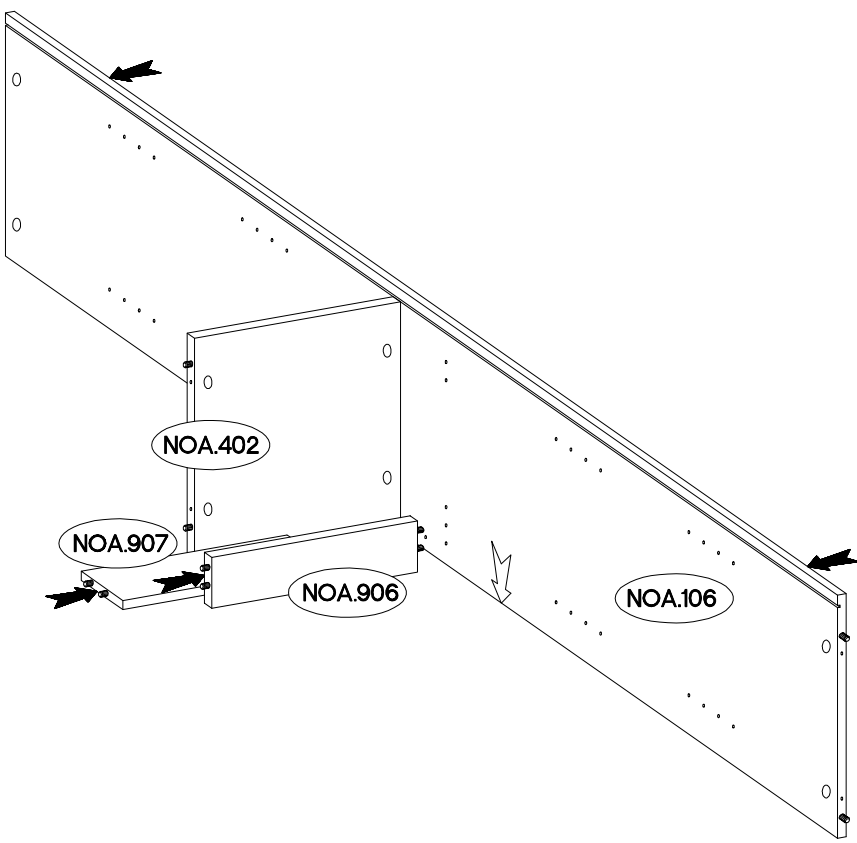
 A 20	 D2 16	 C 12
--	---	--



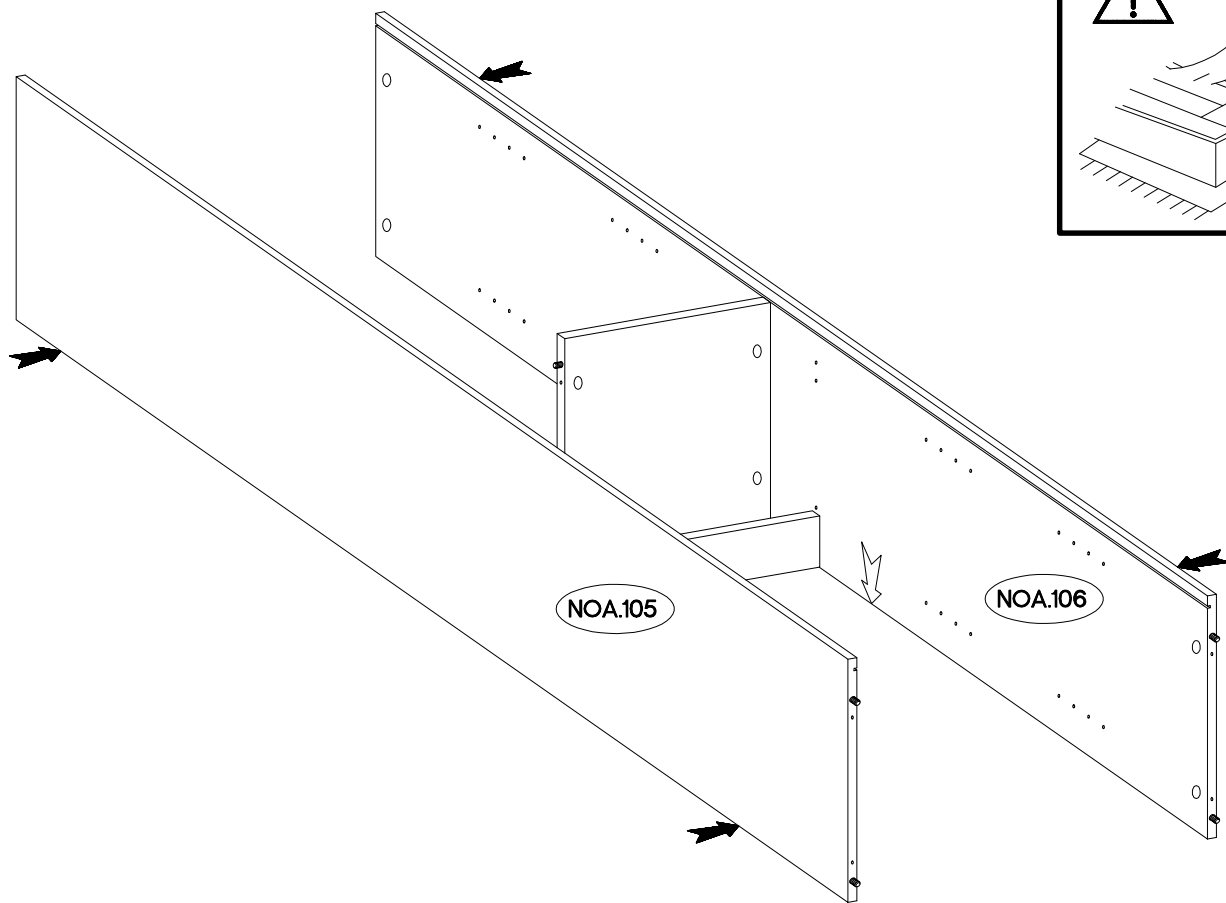
2



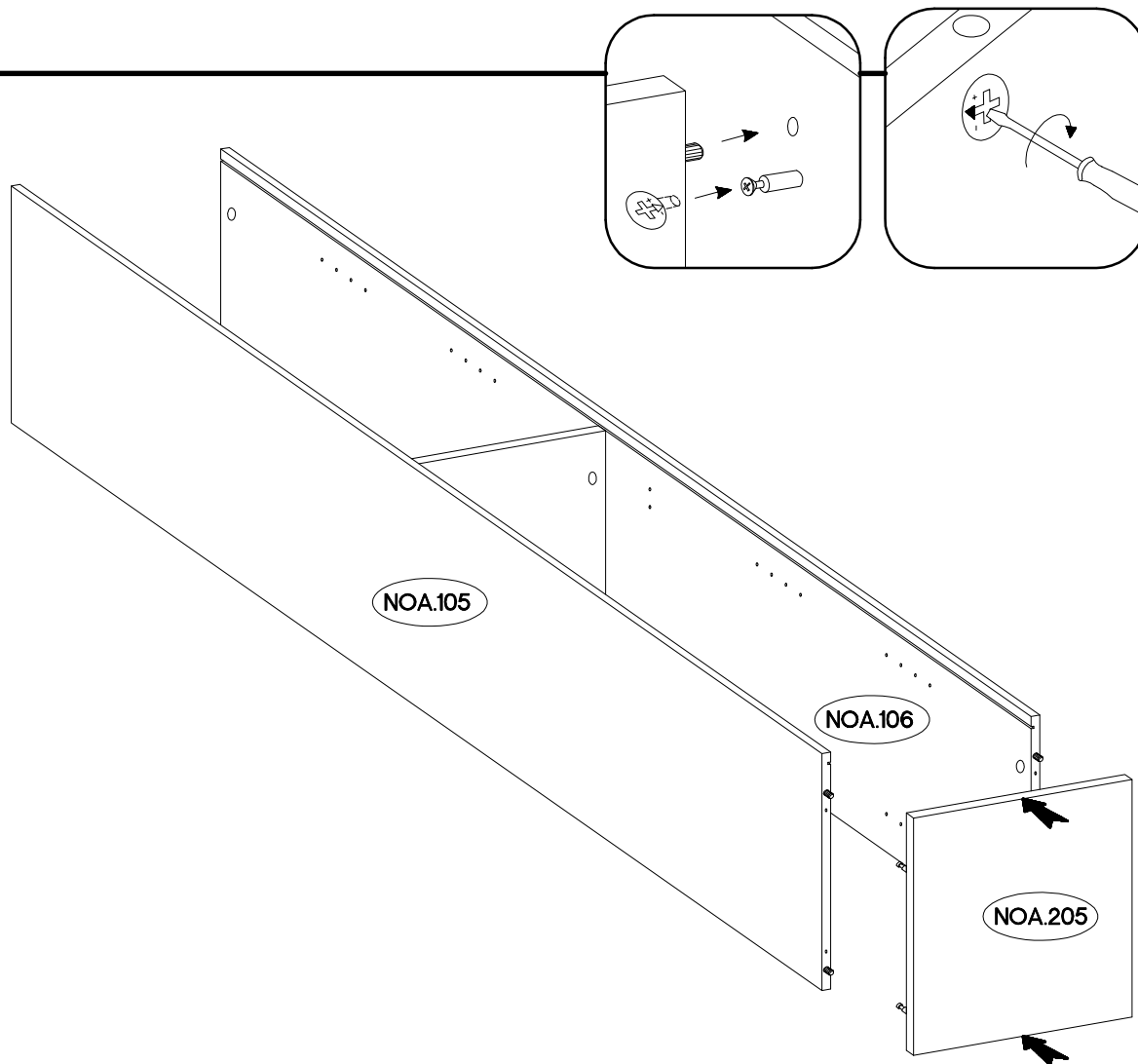
3



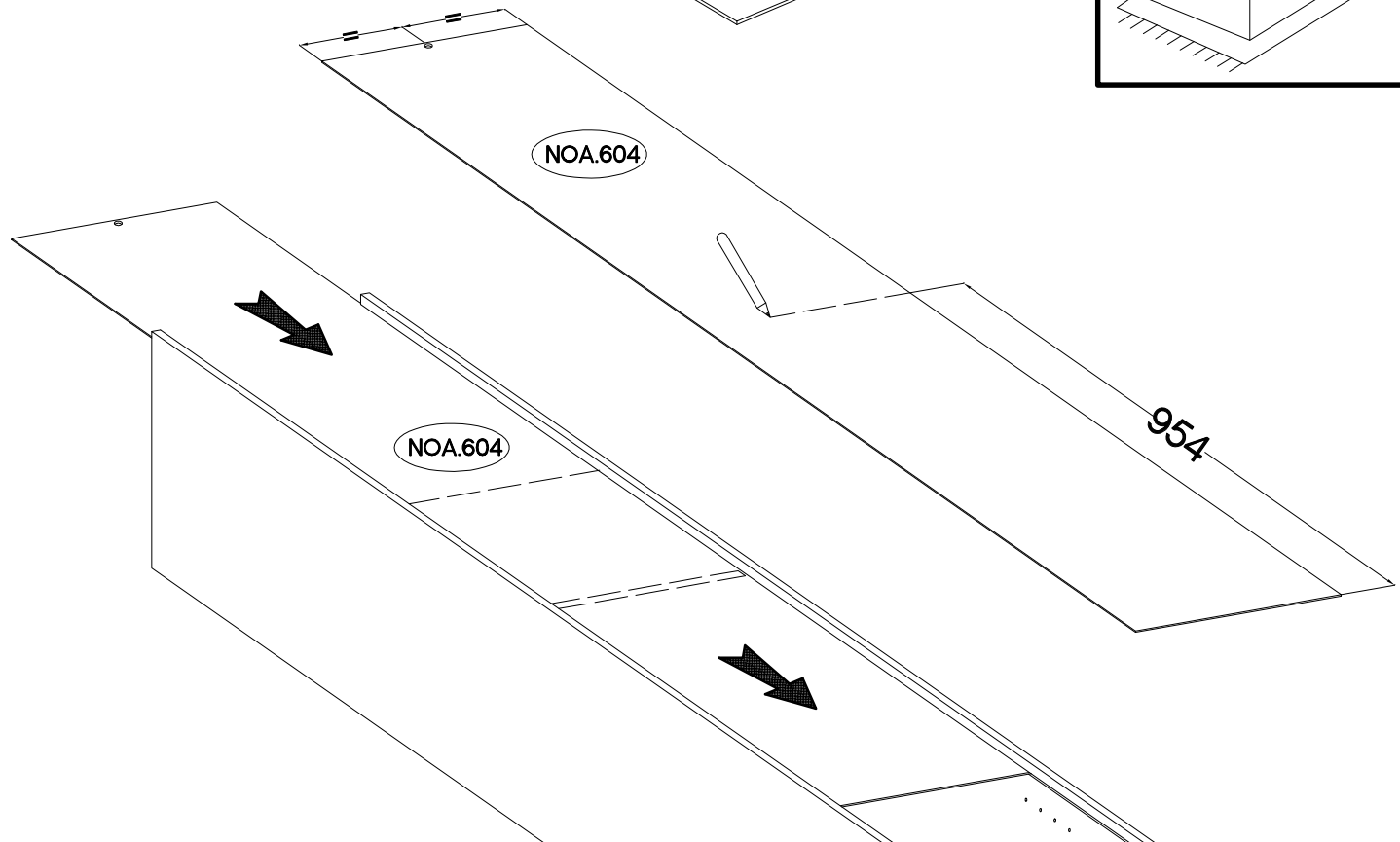
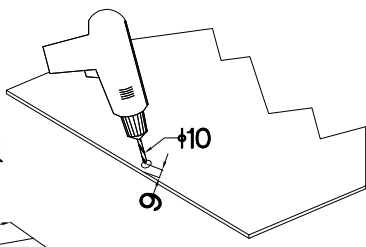
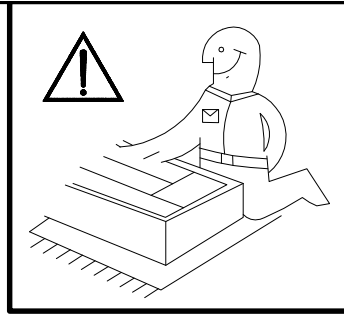
4



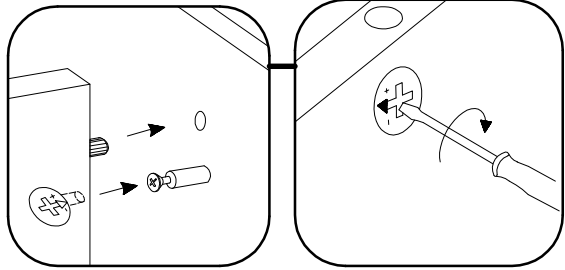
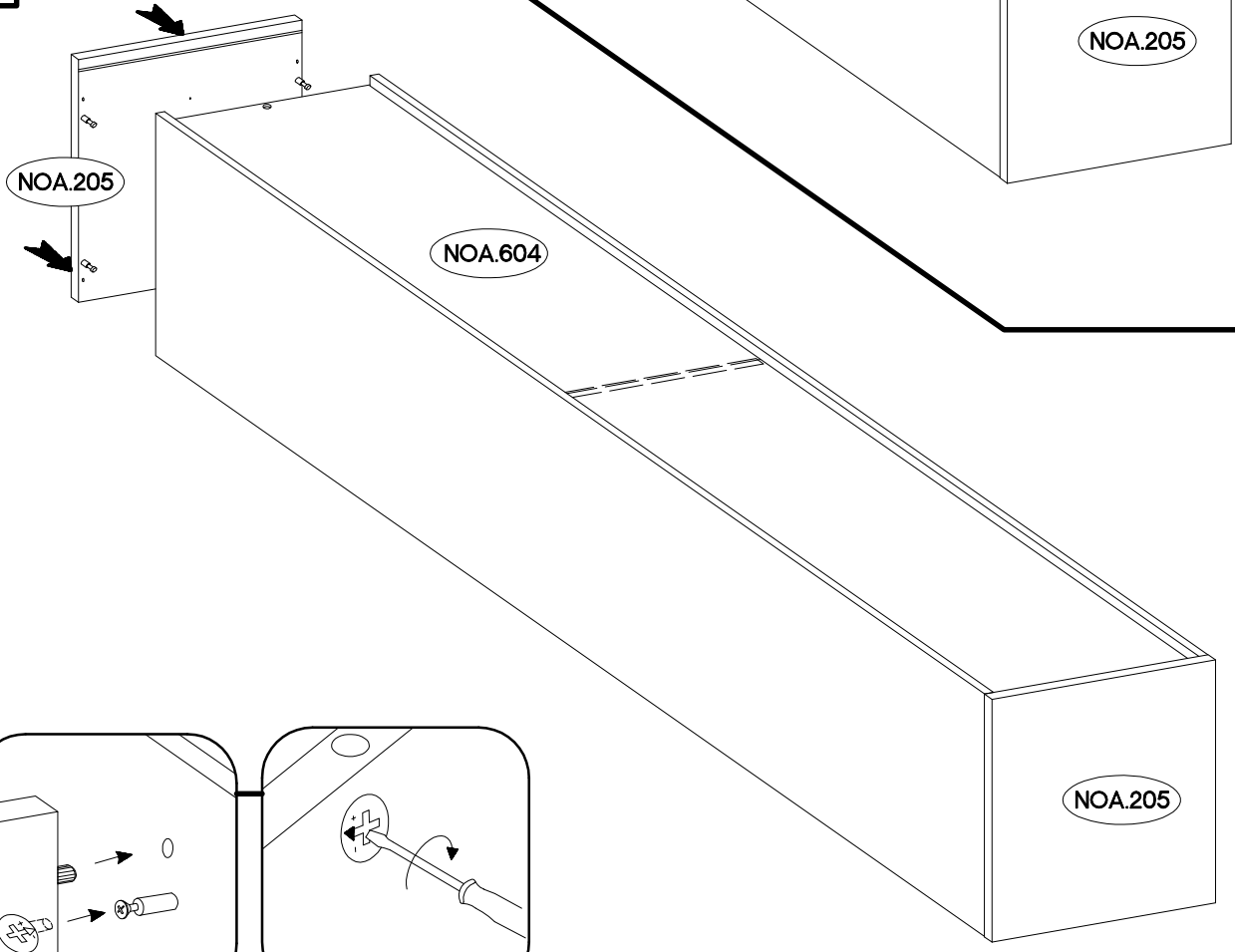
5




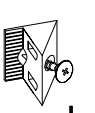
6

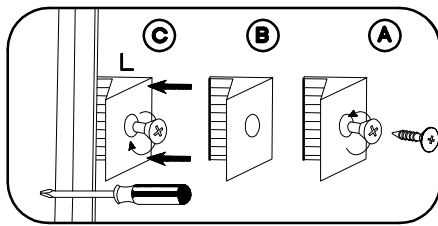
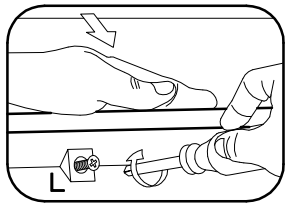
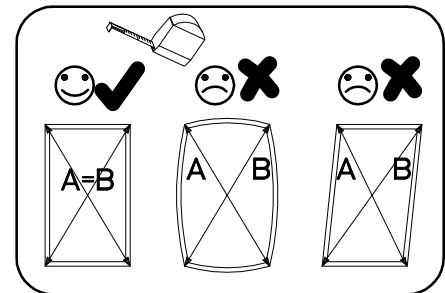
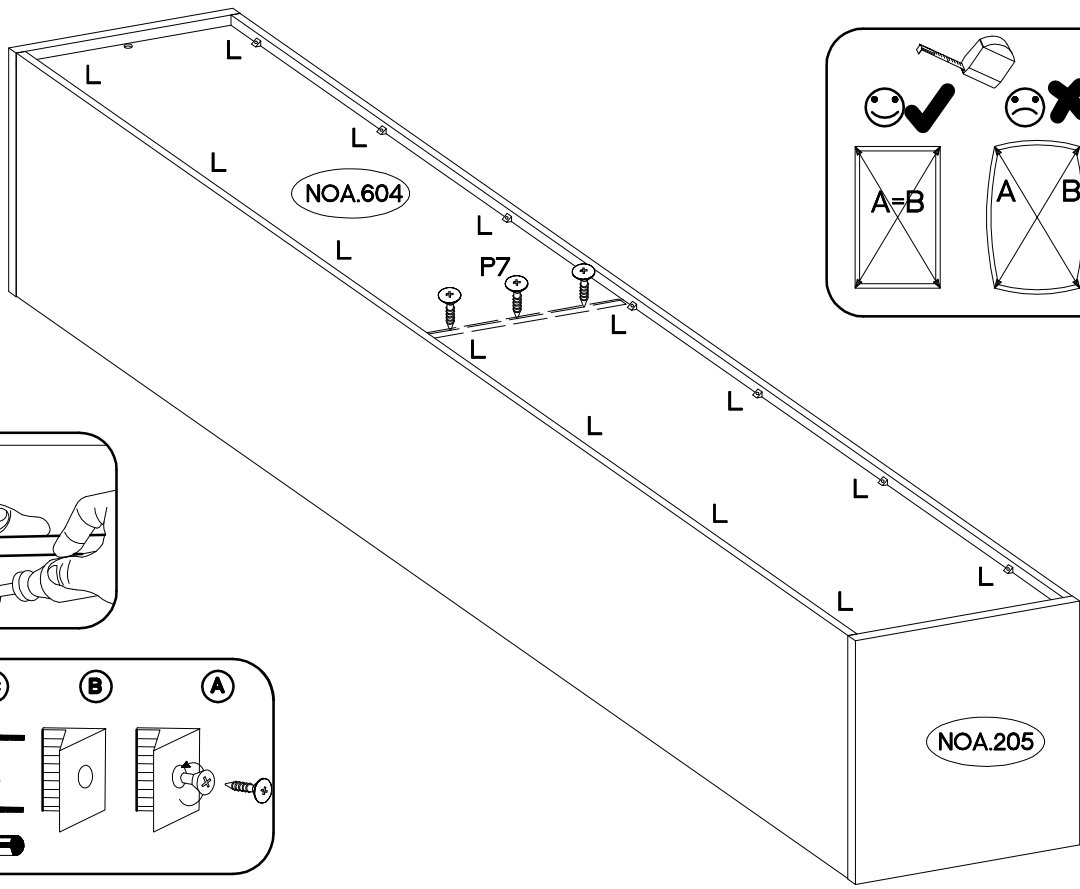
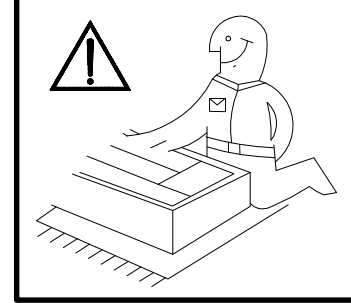
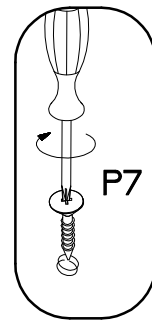


7

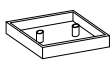



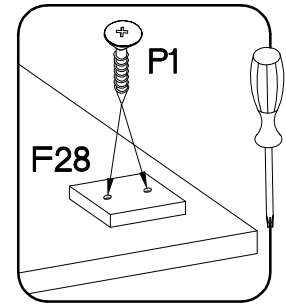
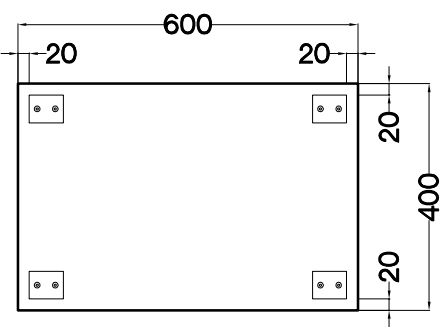
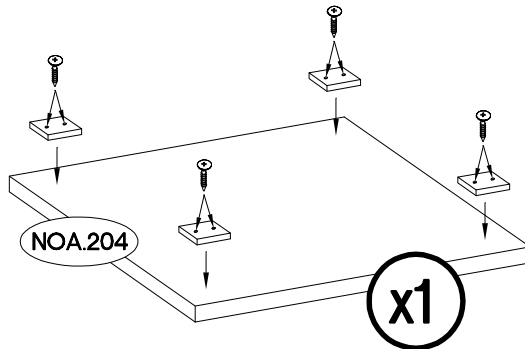
8




<p>↑3.0x20mm</p>  <p>P7</p> <p>3</p>	 <p>L</p> <p>14</p>
--	---

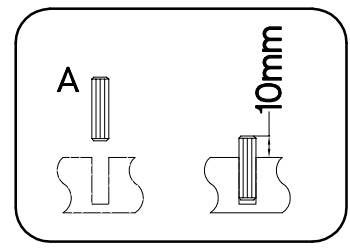
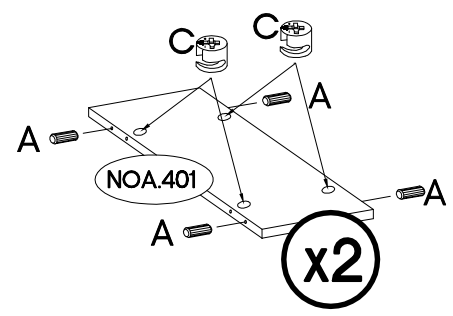
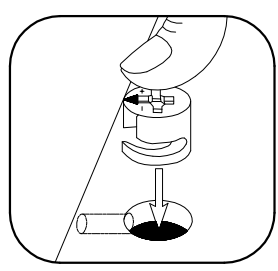
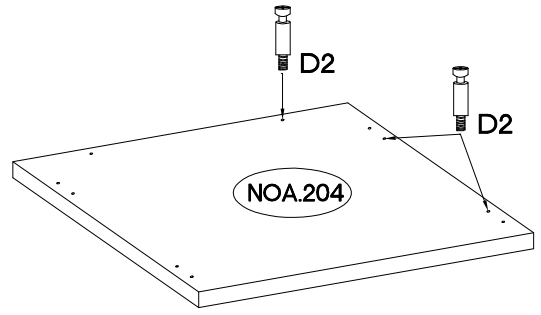
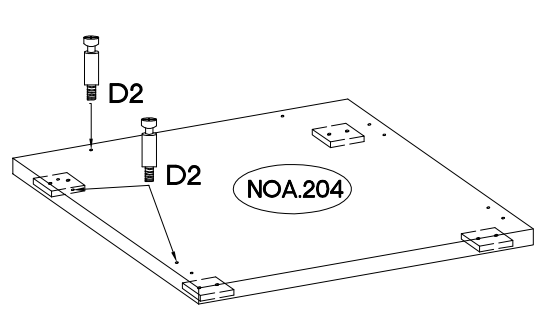
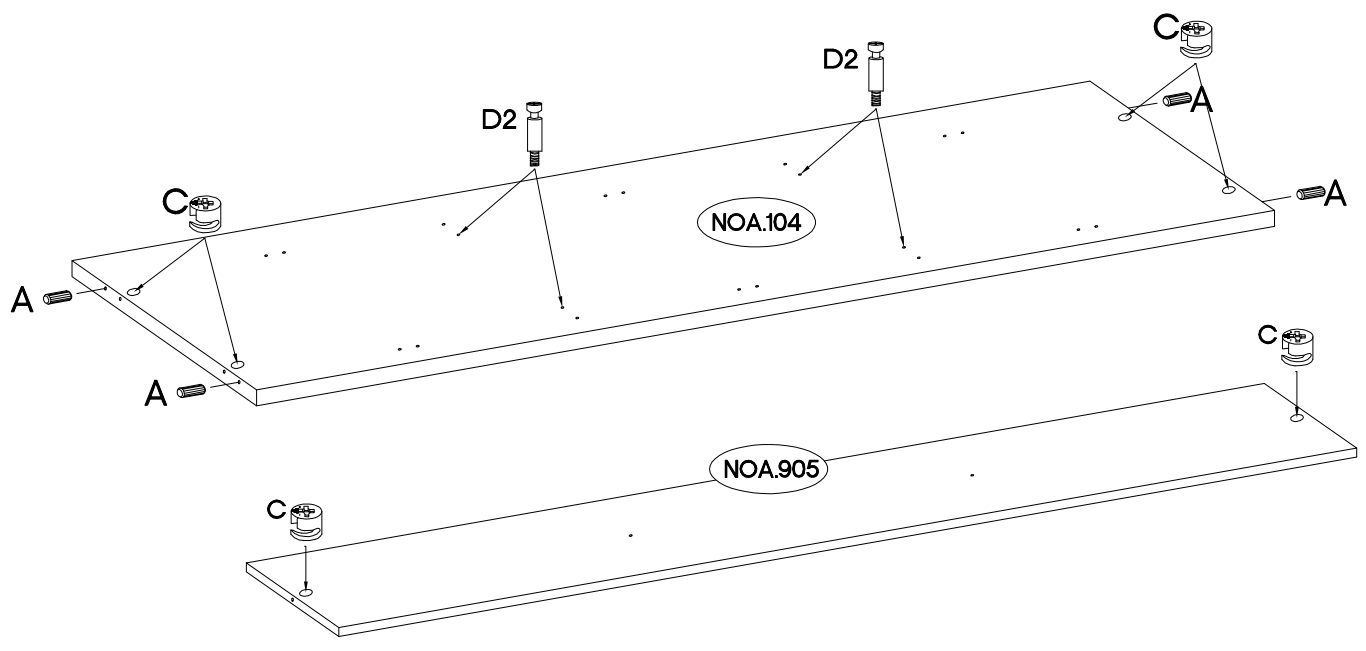
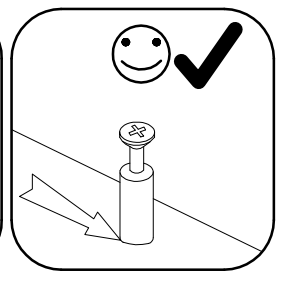
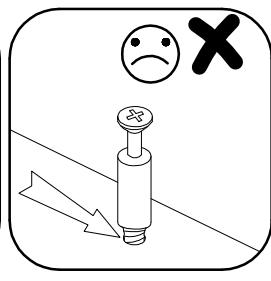
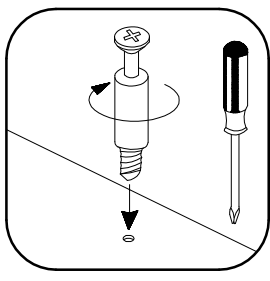


9

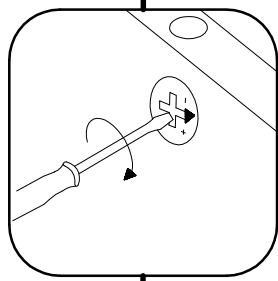
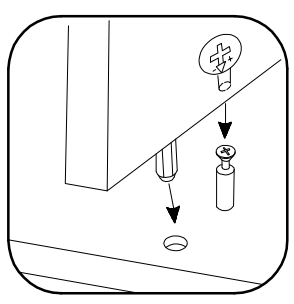
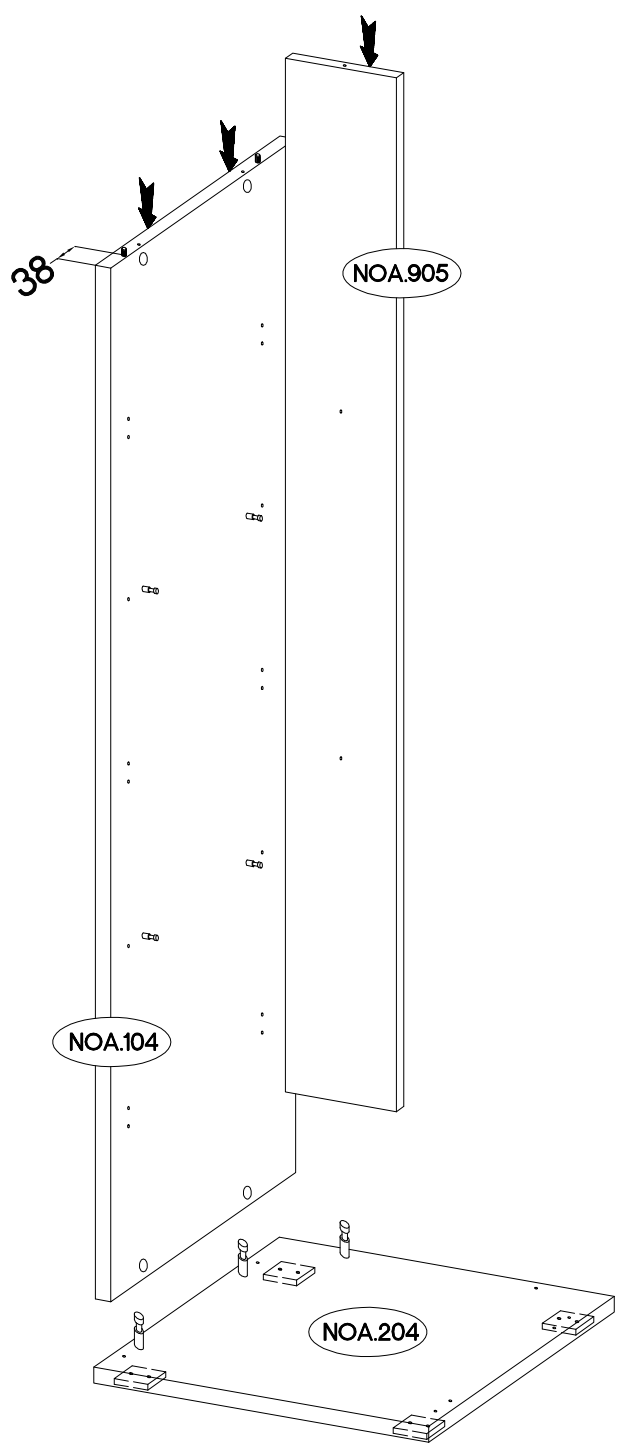
<p>60x49x10</p>  <p>F28</p> <p>4</p>	<p>↑4.0x16mm</p>  <p>P1</p> <p>8</p>
---	---



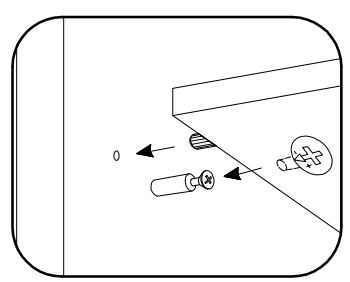
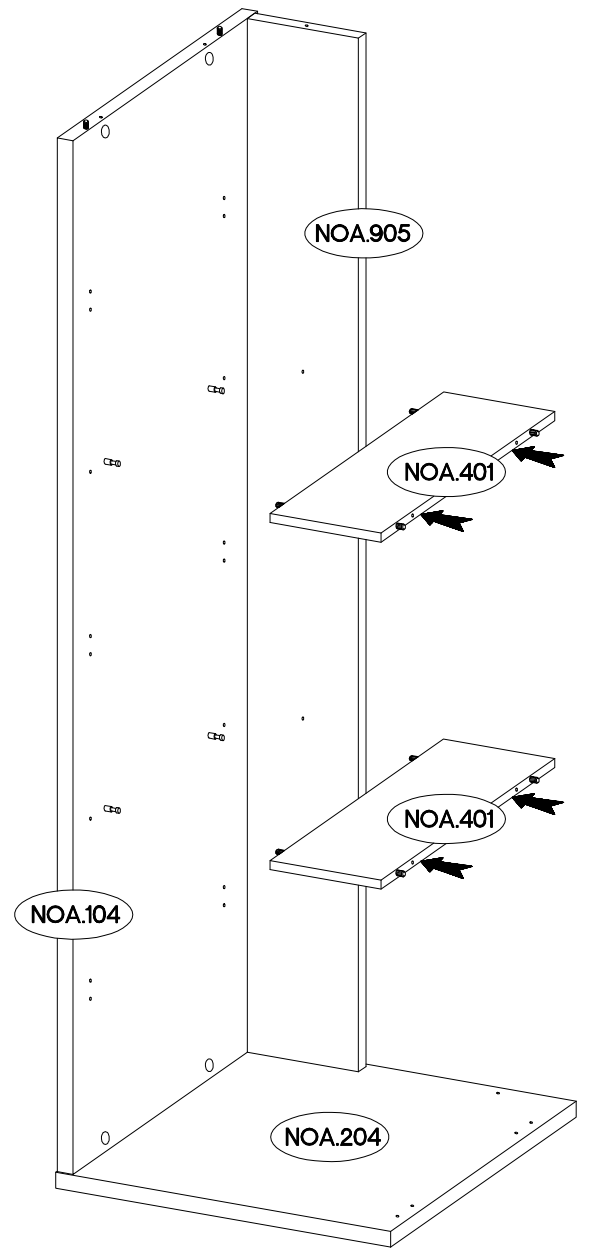
±8x30mm	L=20mm	±15/12mm
		
A	D2	C
12	10	14



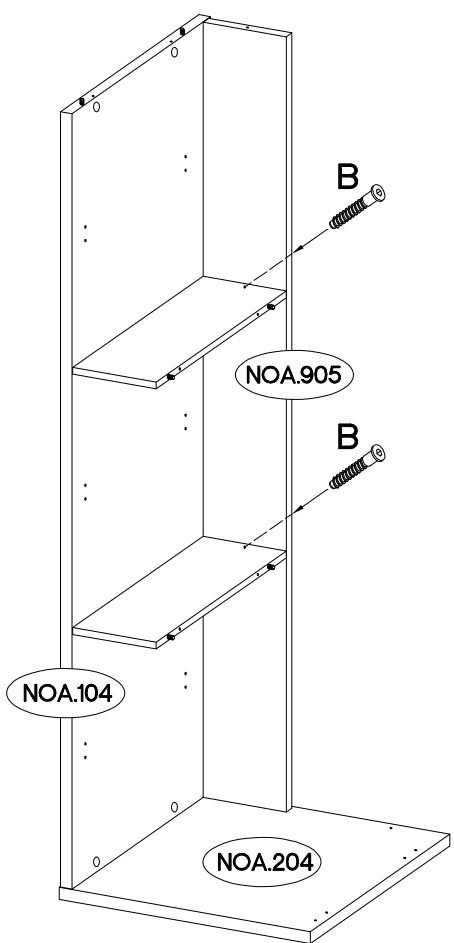
11



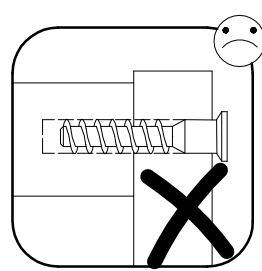
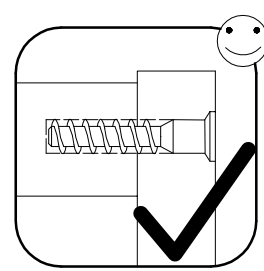
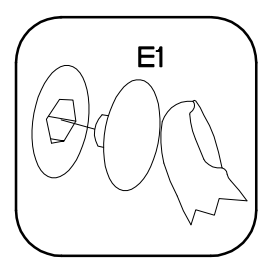
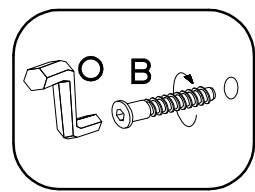
12



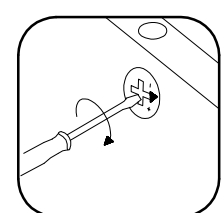
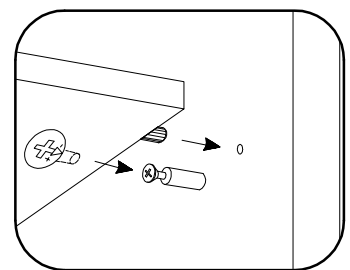
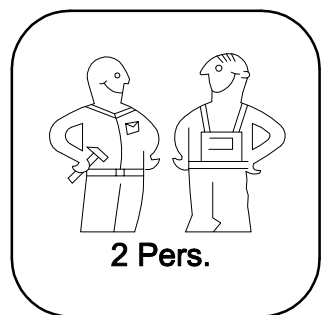
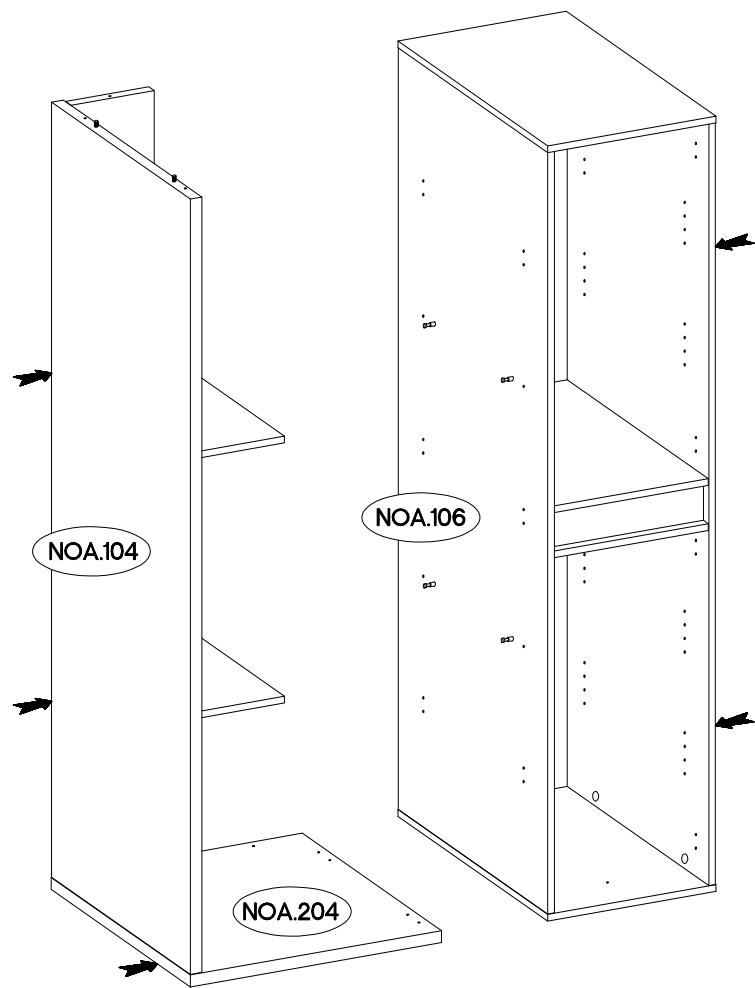
13



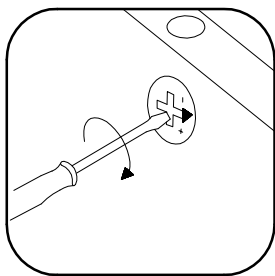
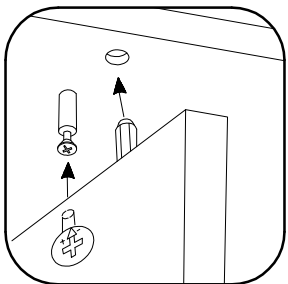
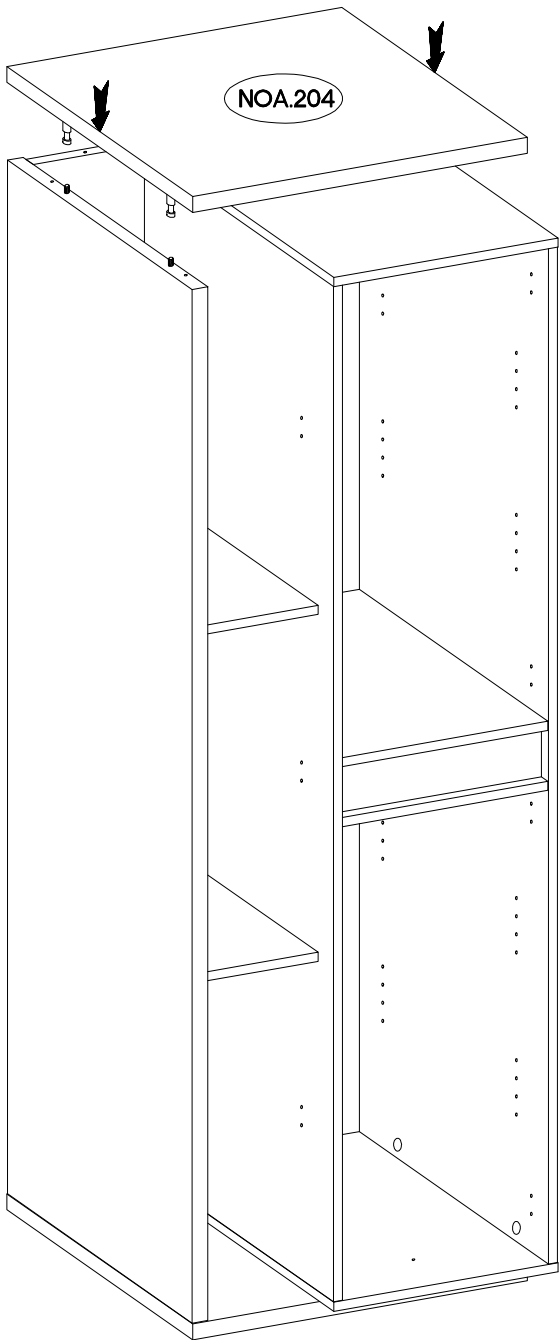
6,4 x 50mm		
B	O	E1
2	1	2



14

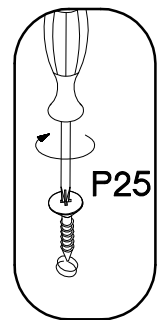
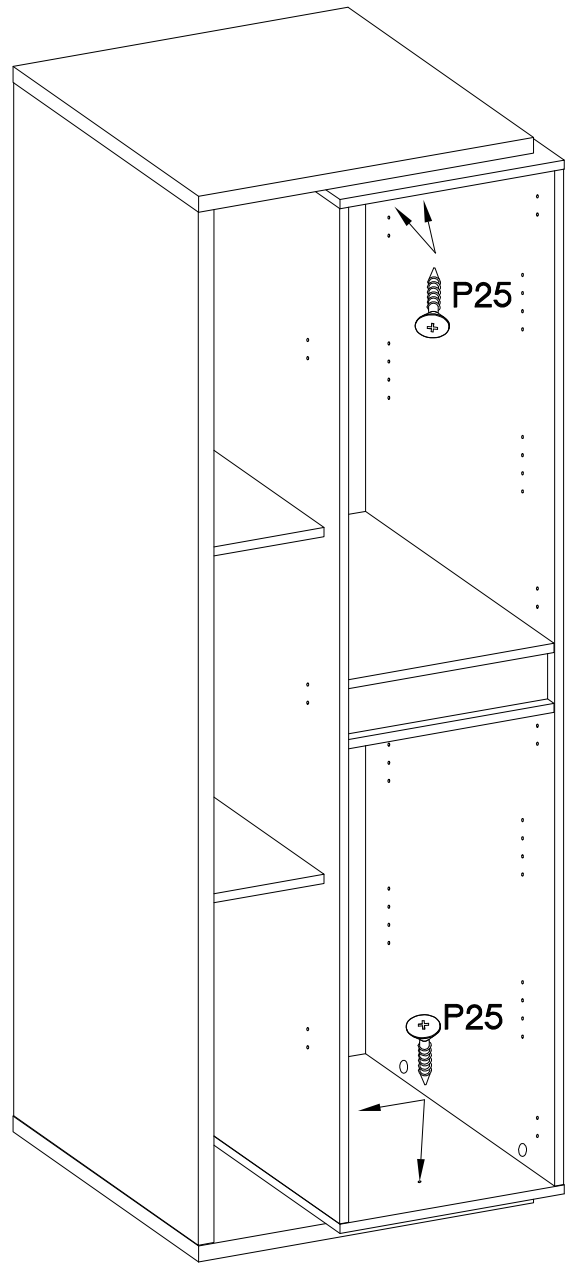


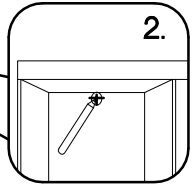
15






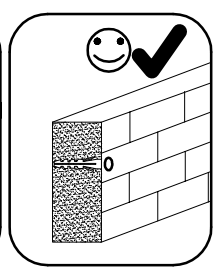
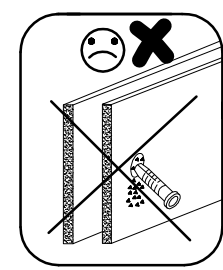
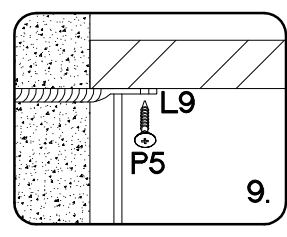
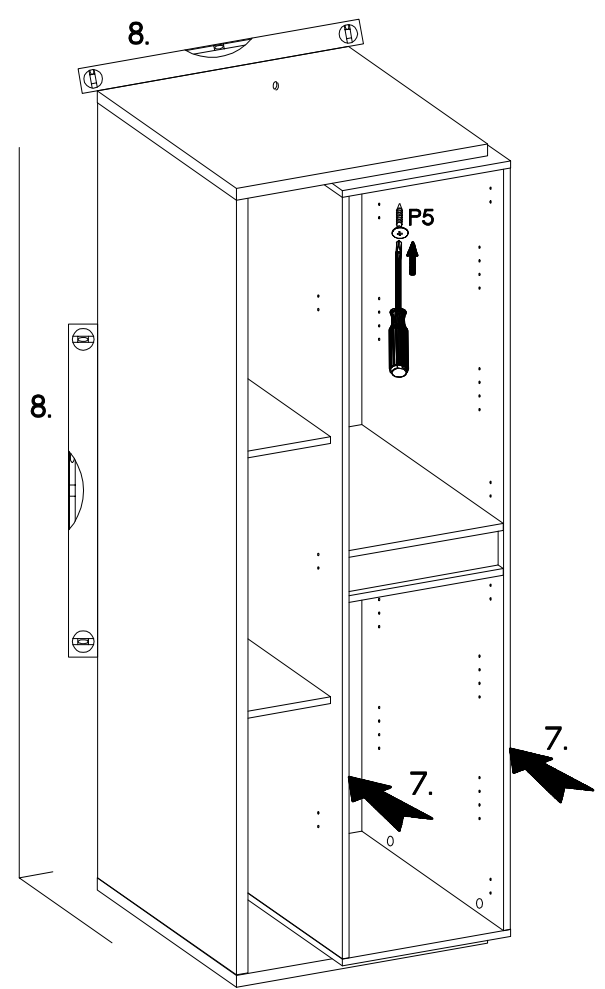
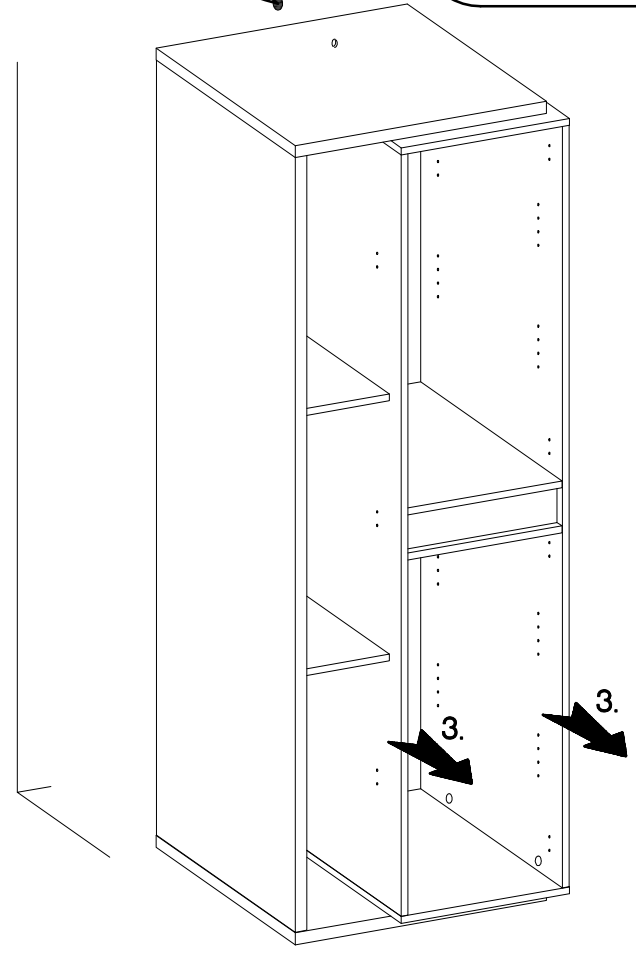
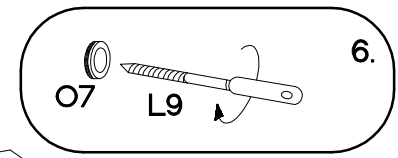
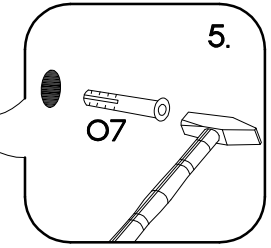
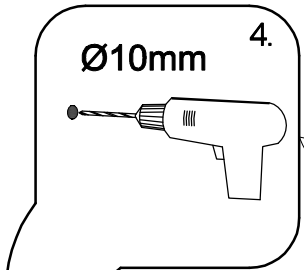
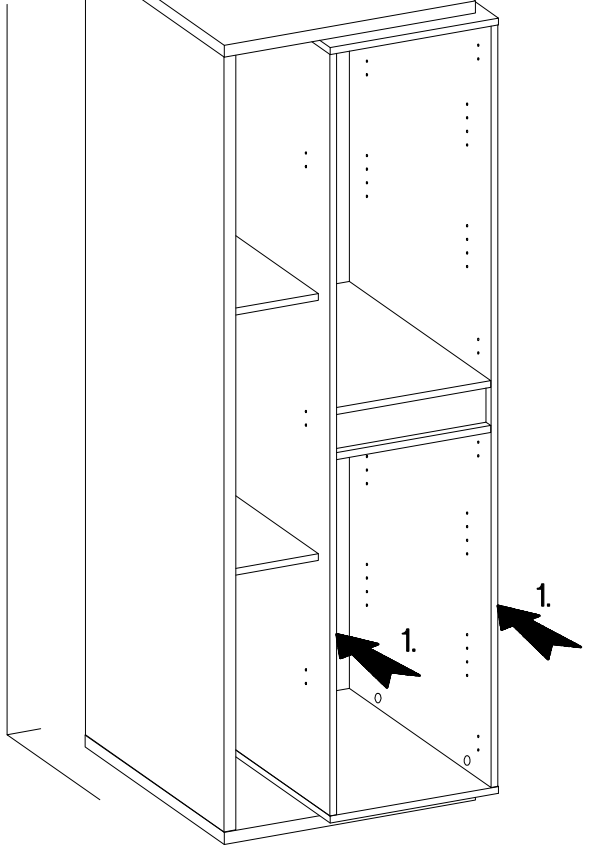
16

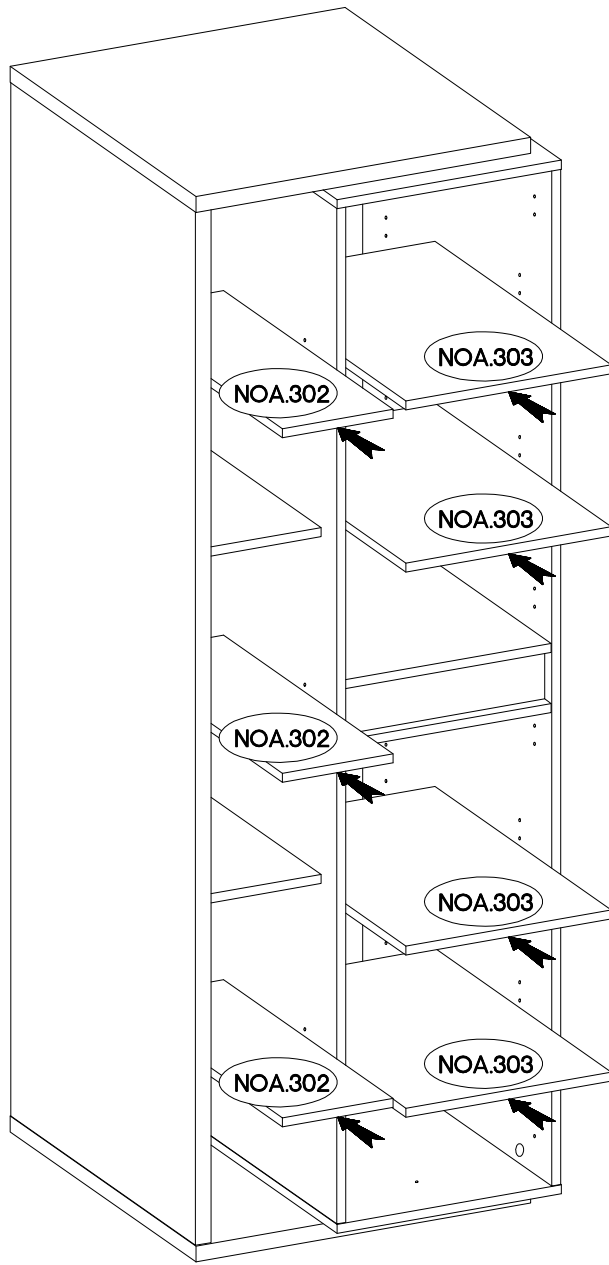
3.5x25mm
BLACK
P25
4



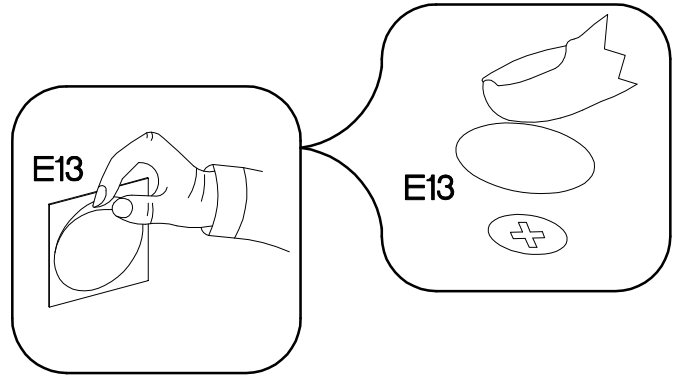
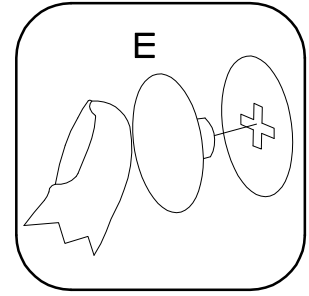
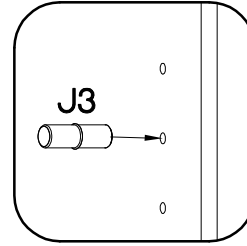


+10x50mm  Ø7 1	 L9 1	+3.5x13mm  P5 1
---	---	---

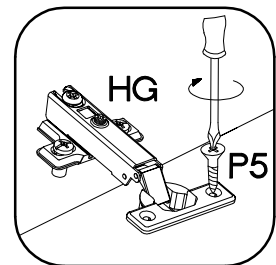
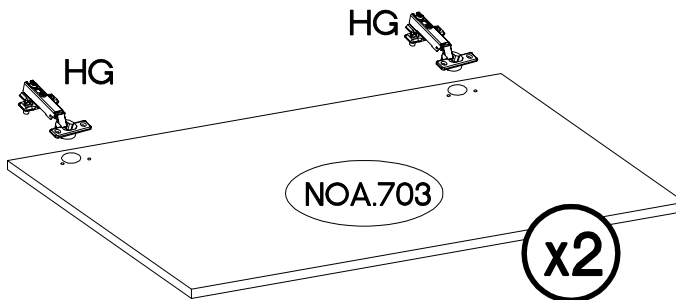


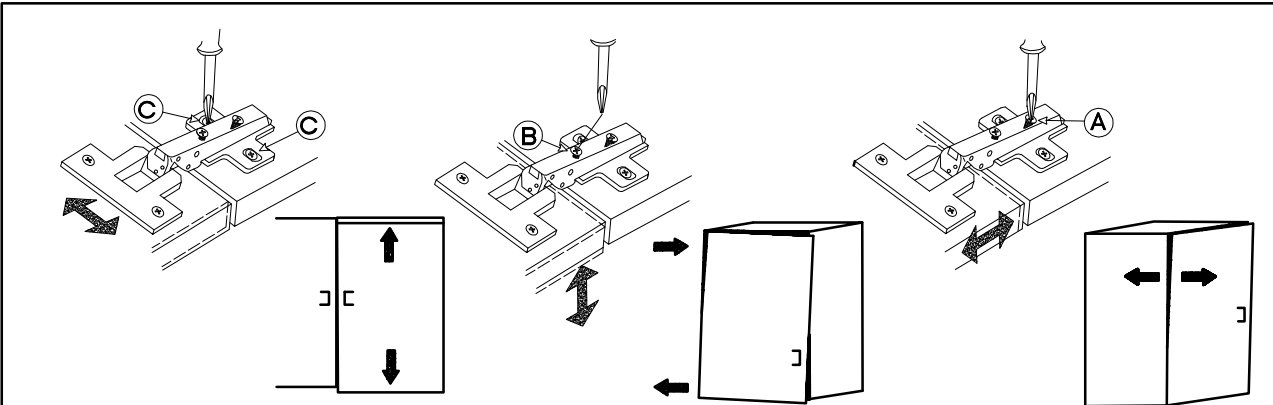
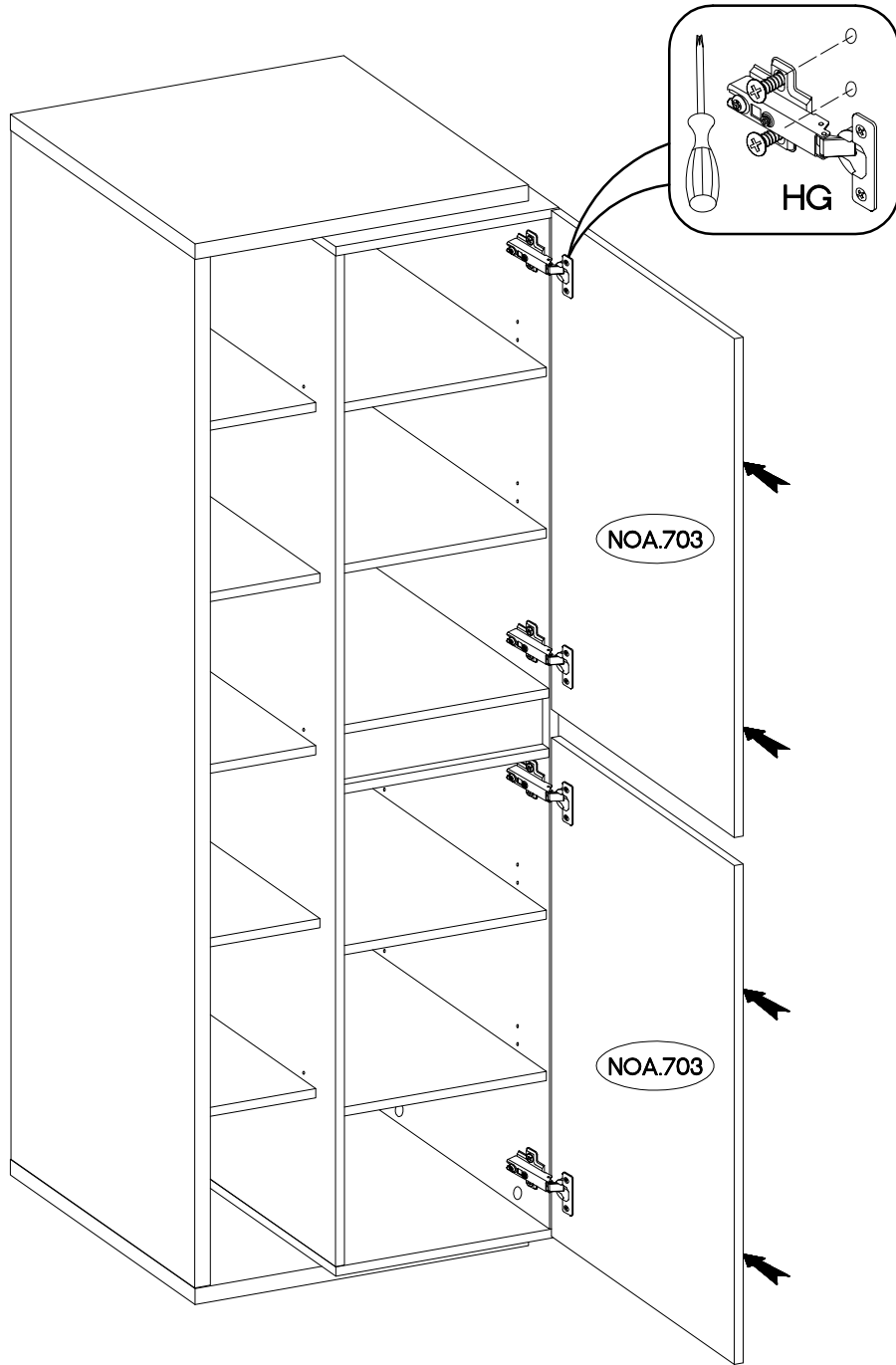





±5/16mm				±14	
J3	ant.	E	szar.	E	E13
28	12	14	4		

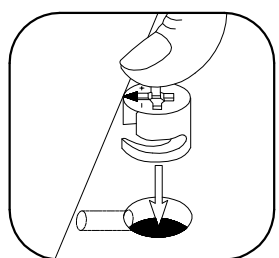
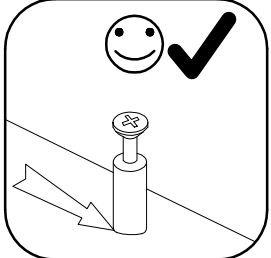
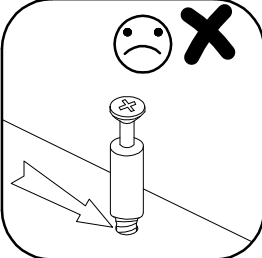
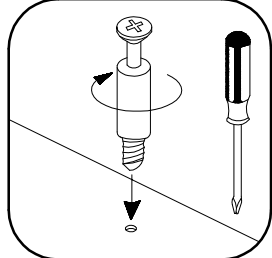
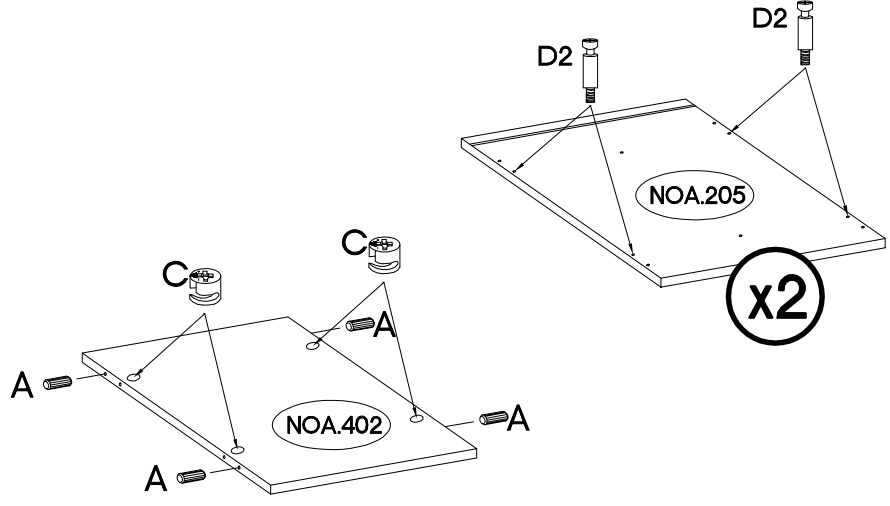
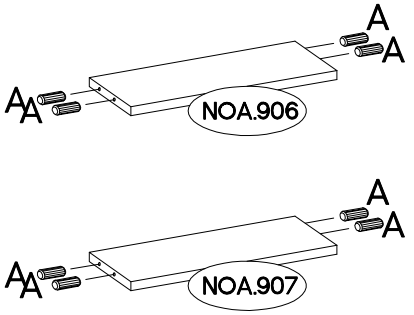
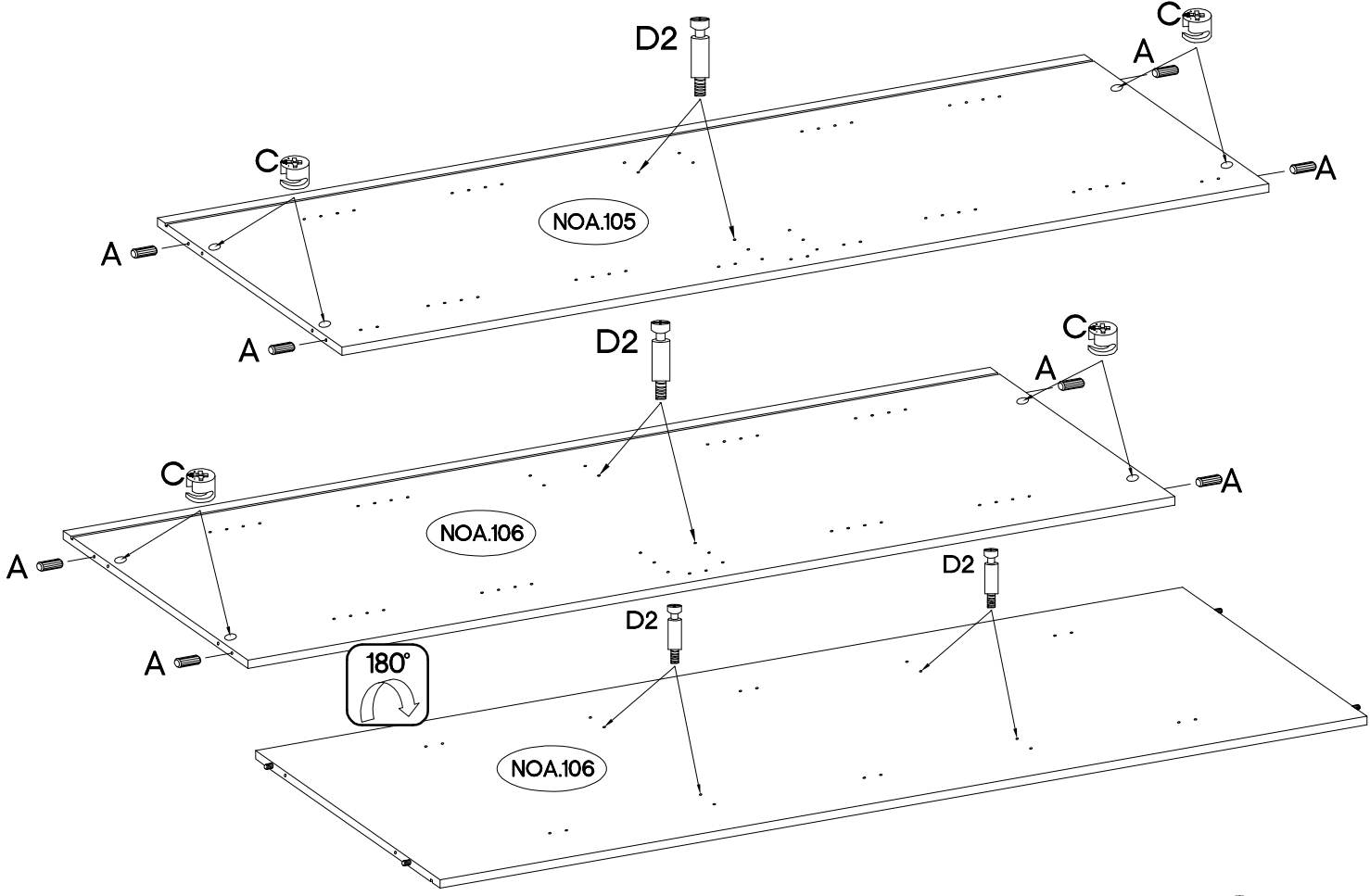
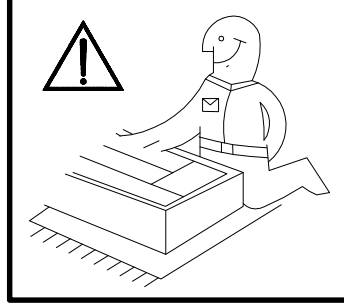
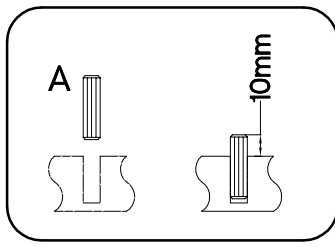


±35/0mm	±3.5x13mm
HG	P5
4	8

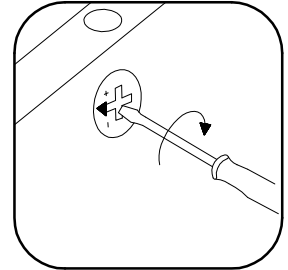
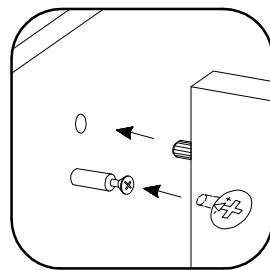
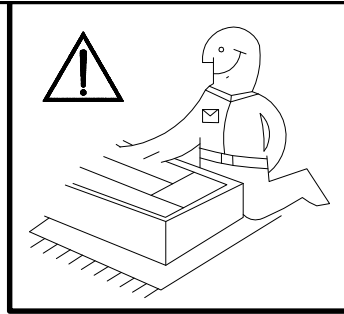
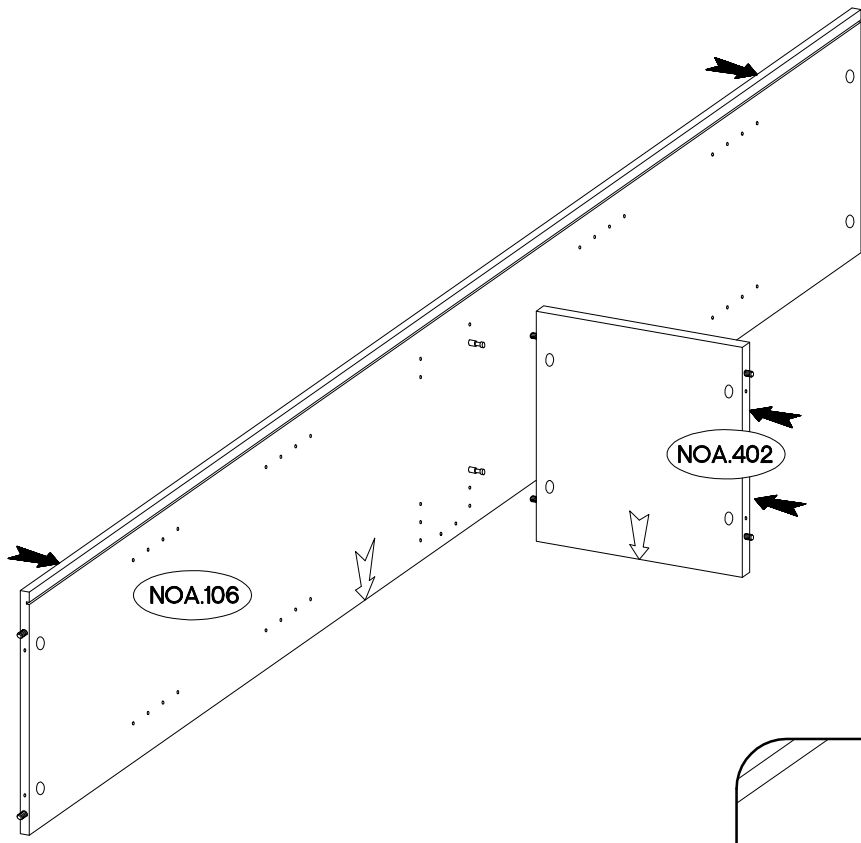




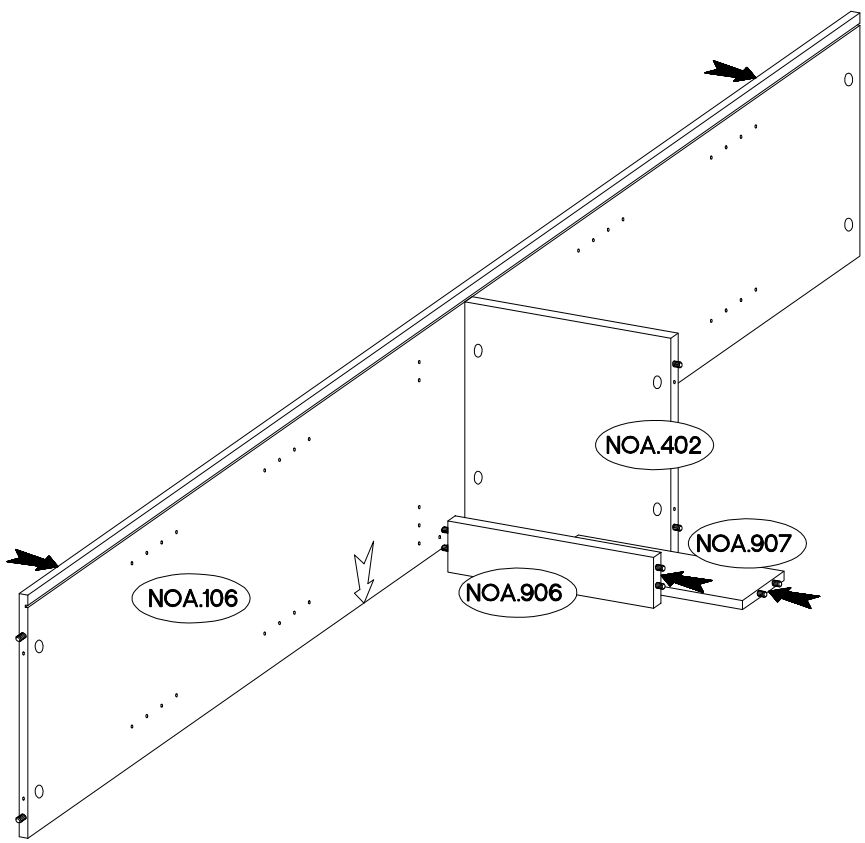
 <p>ø8x30mm A</p>	 <p>L=20mm D2</p>	 <p>ø15/12mm C</p>
20	16	12



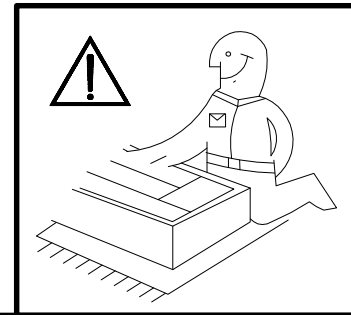
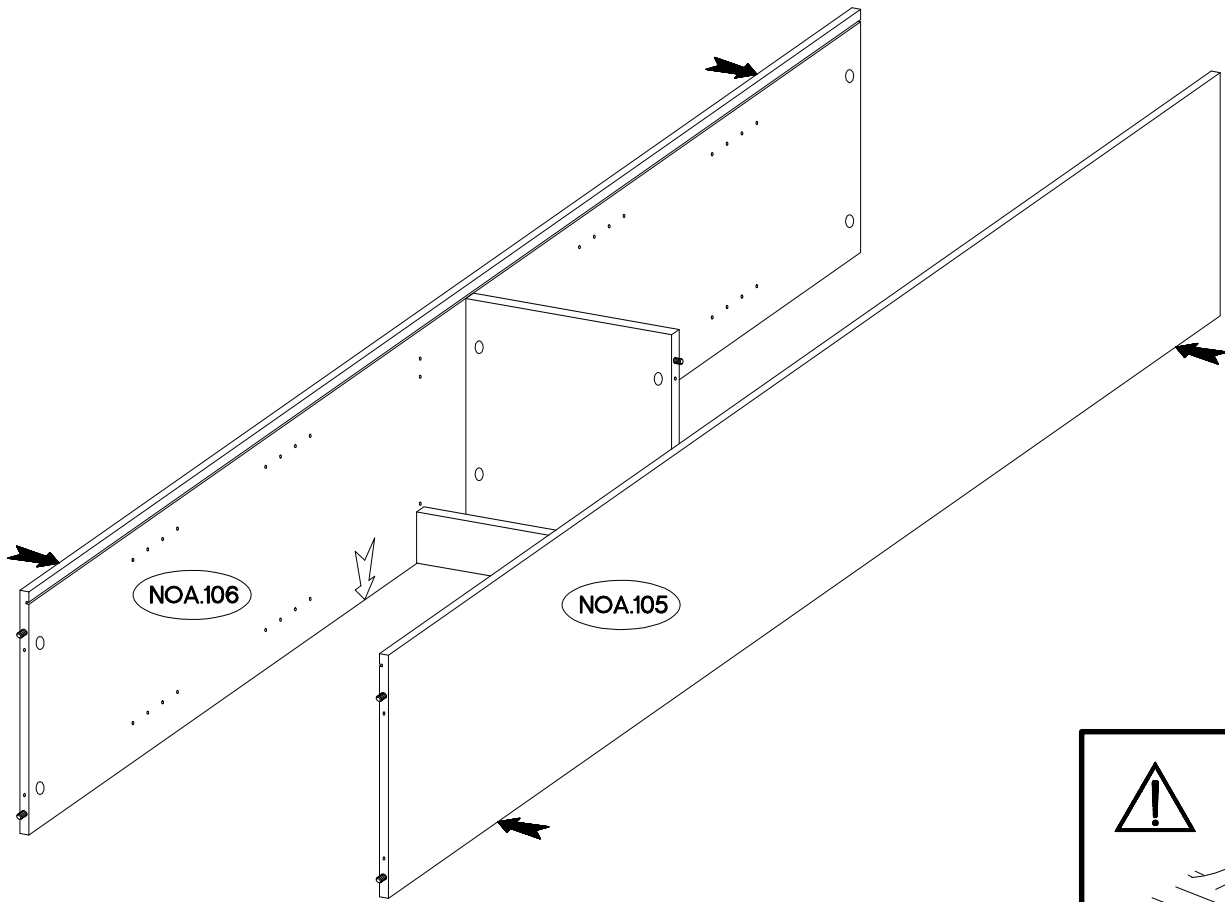
22



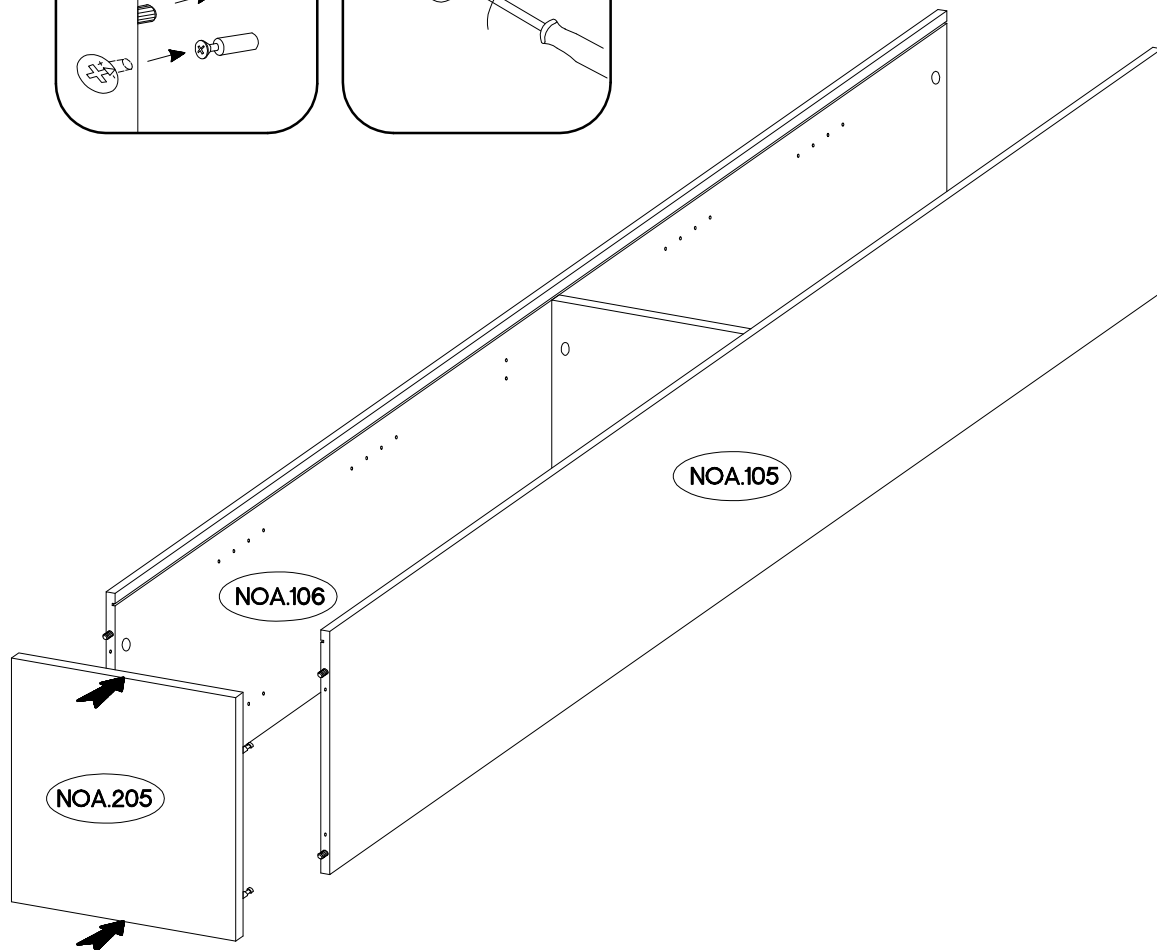
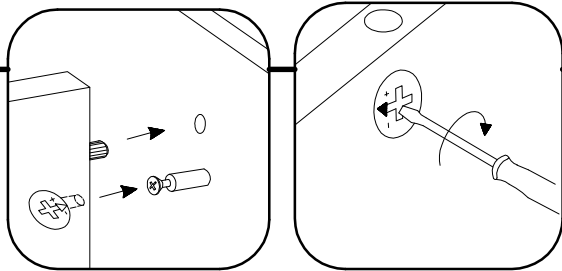
23



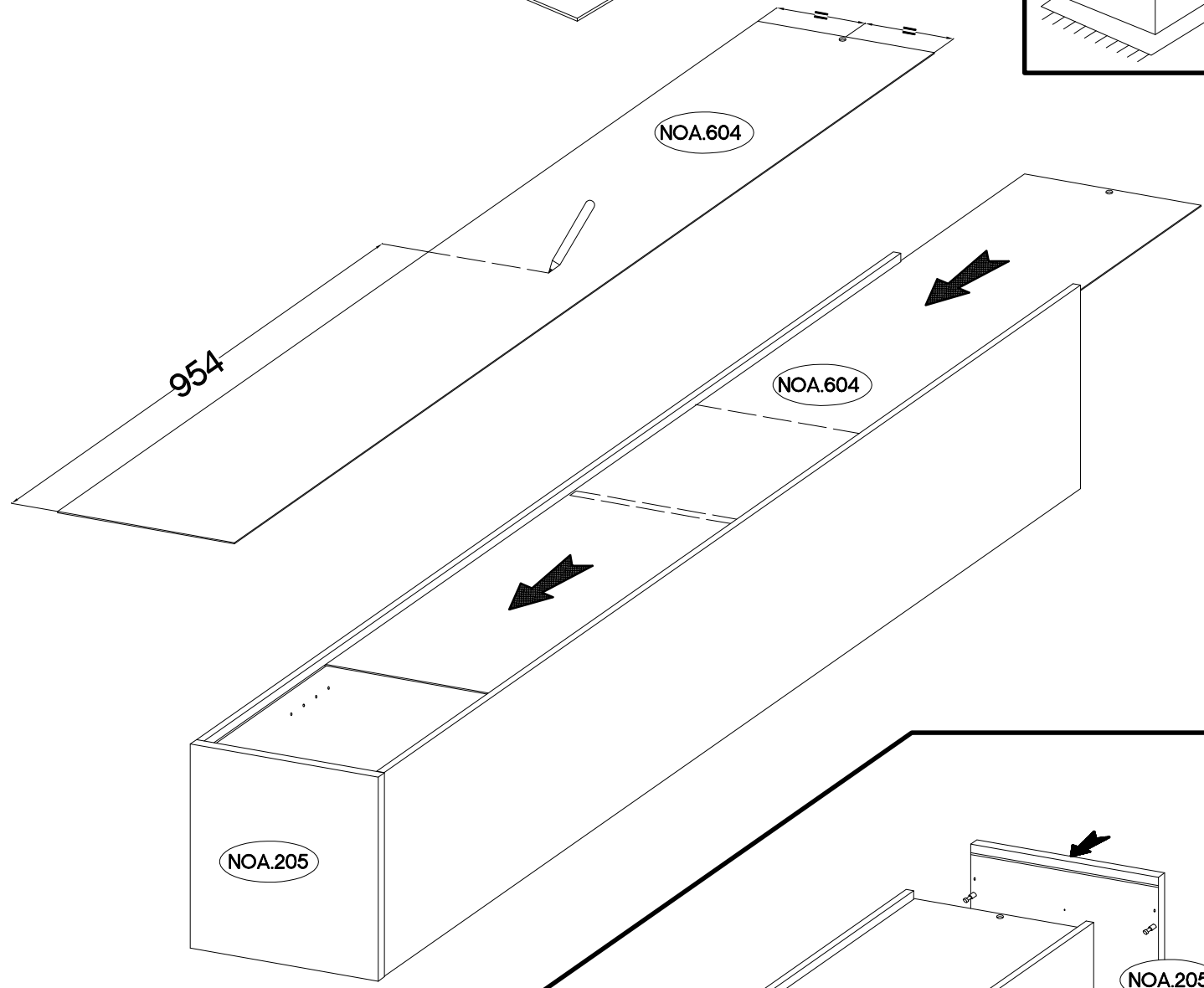
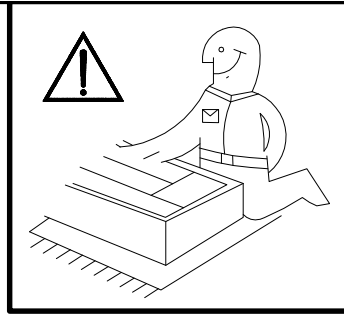
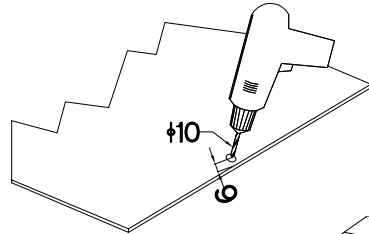
24



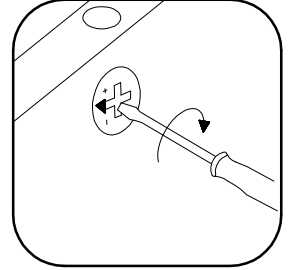
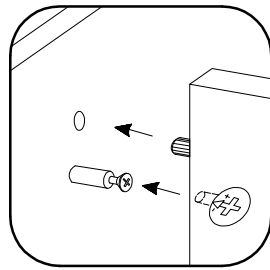
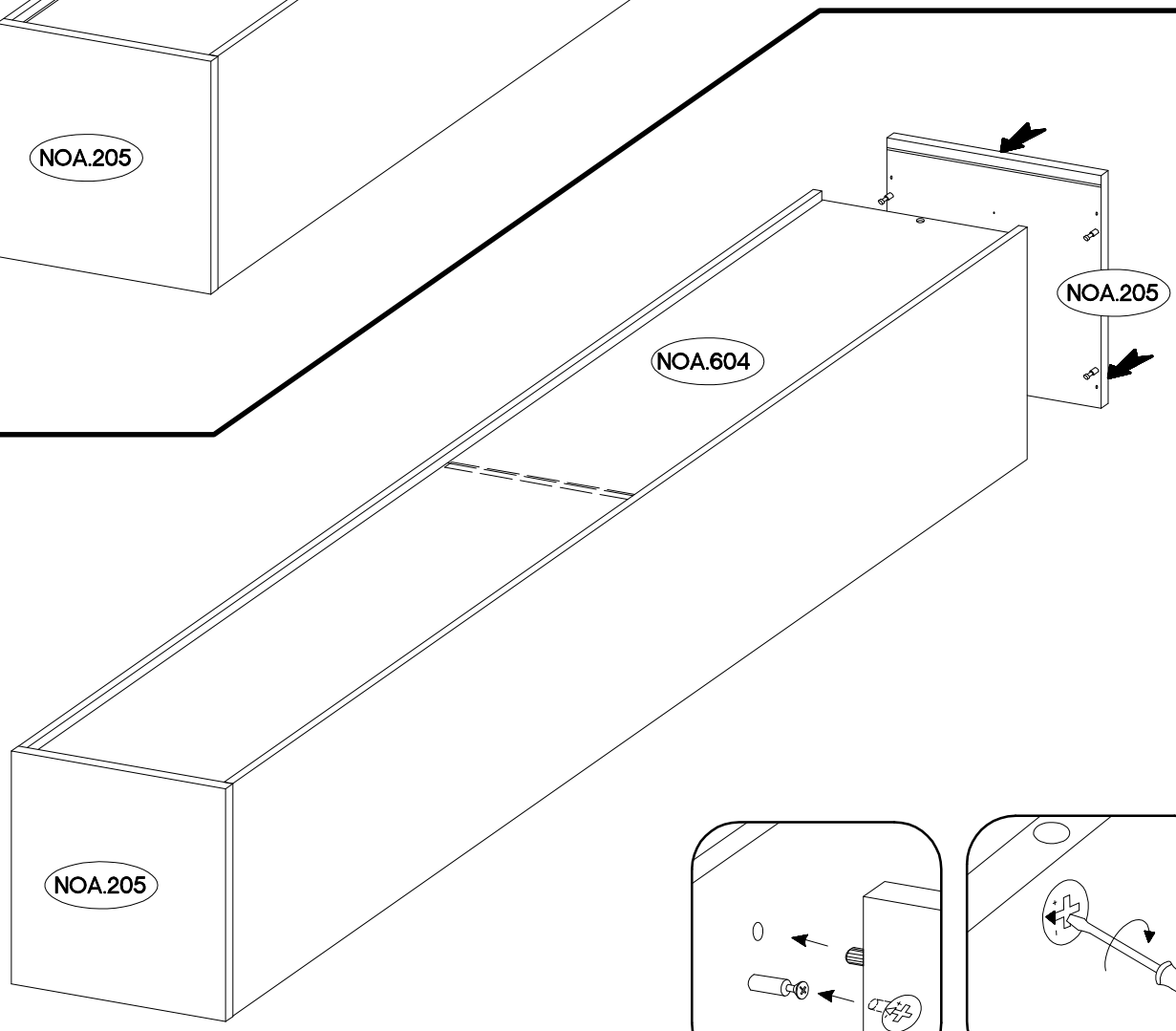
25


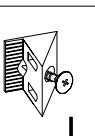


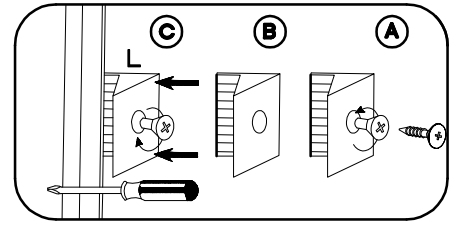
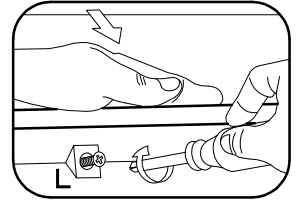
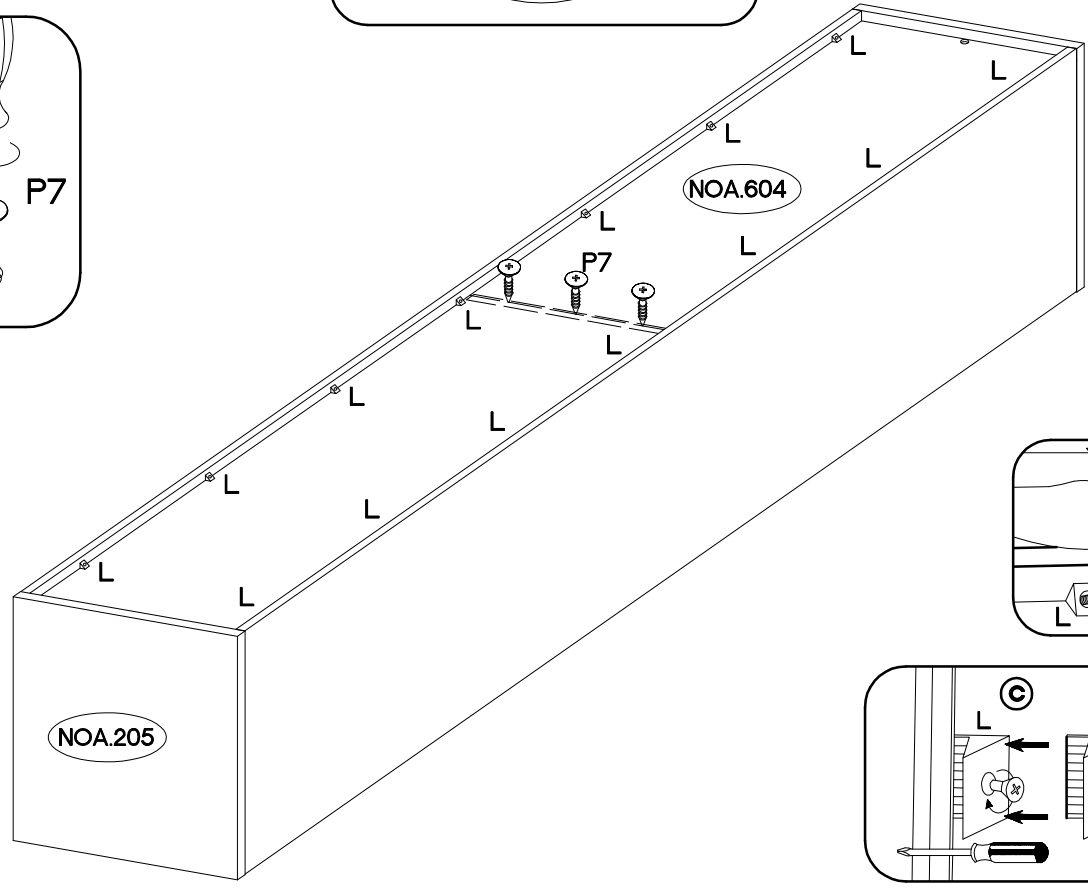
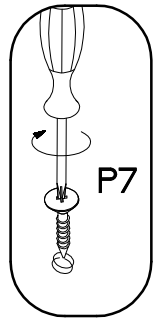
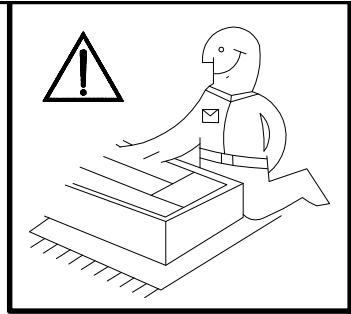
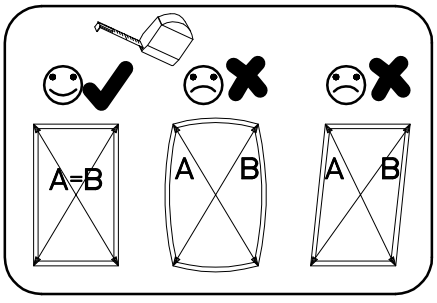
26

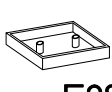



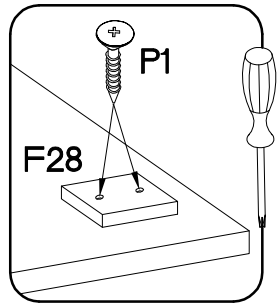
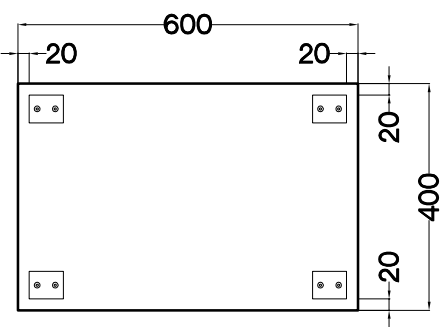
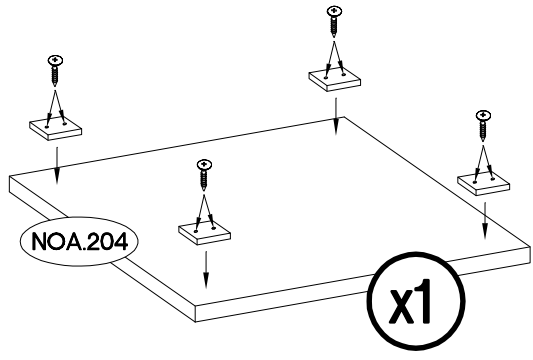
27

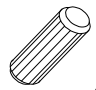
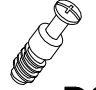



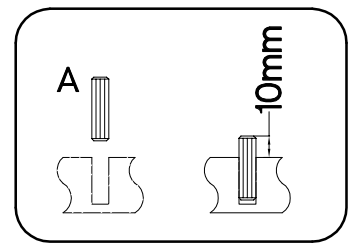
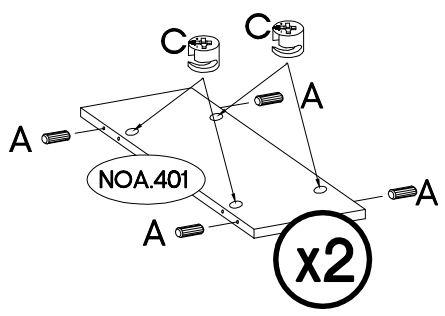
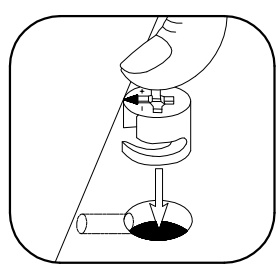
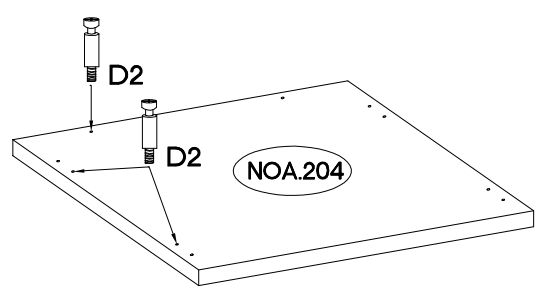
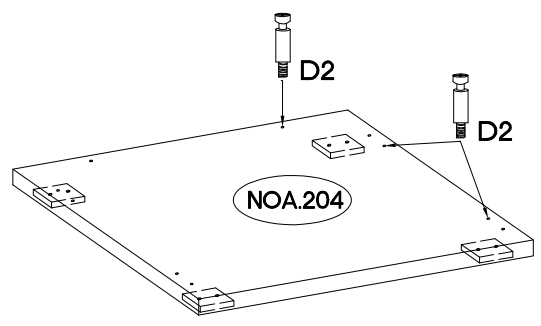
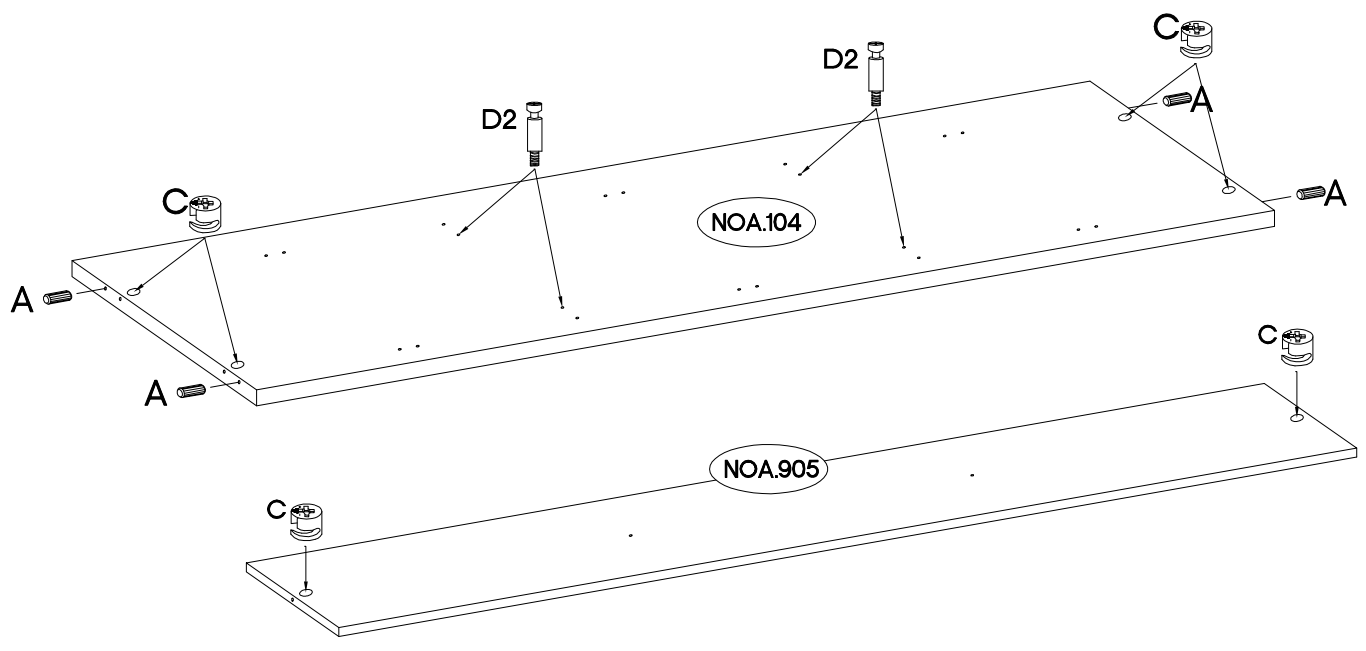
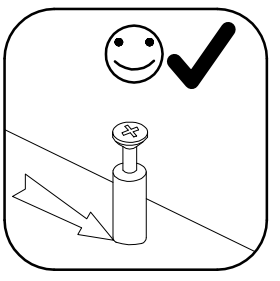
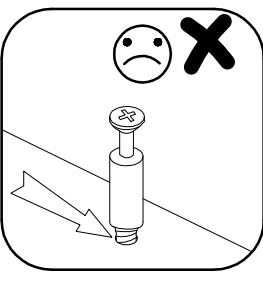
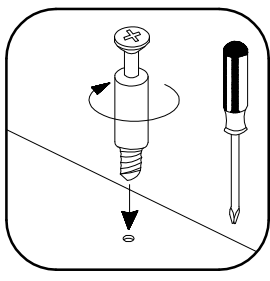
†3.0x20mm  P7 3	 L 14
--	---

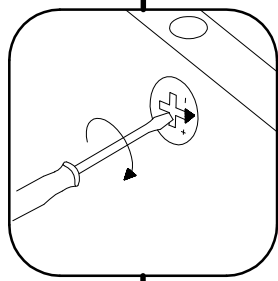
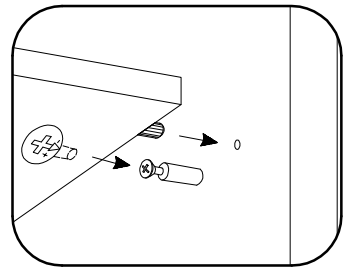
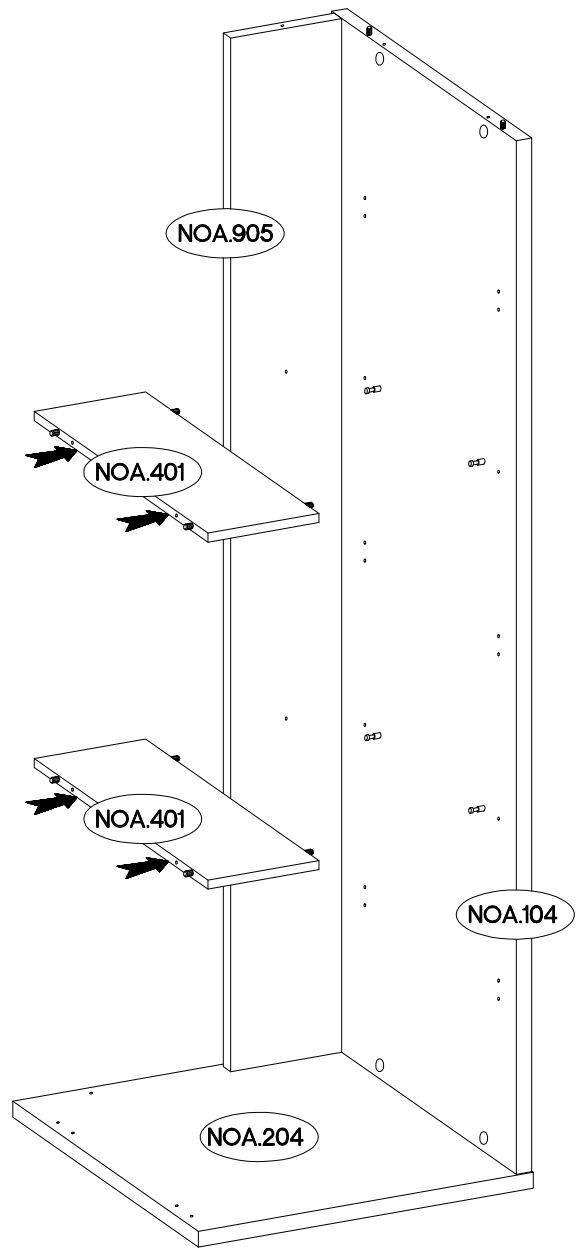
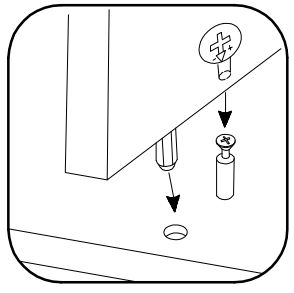
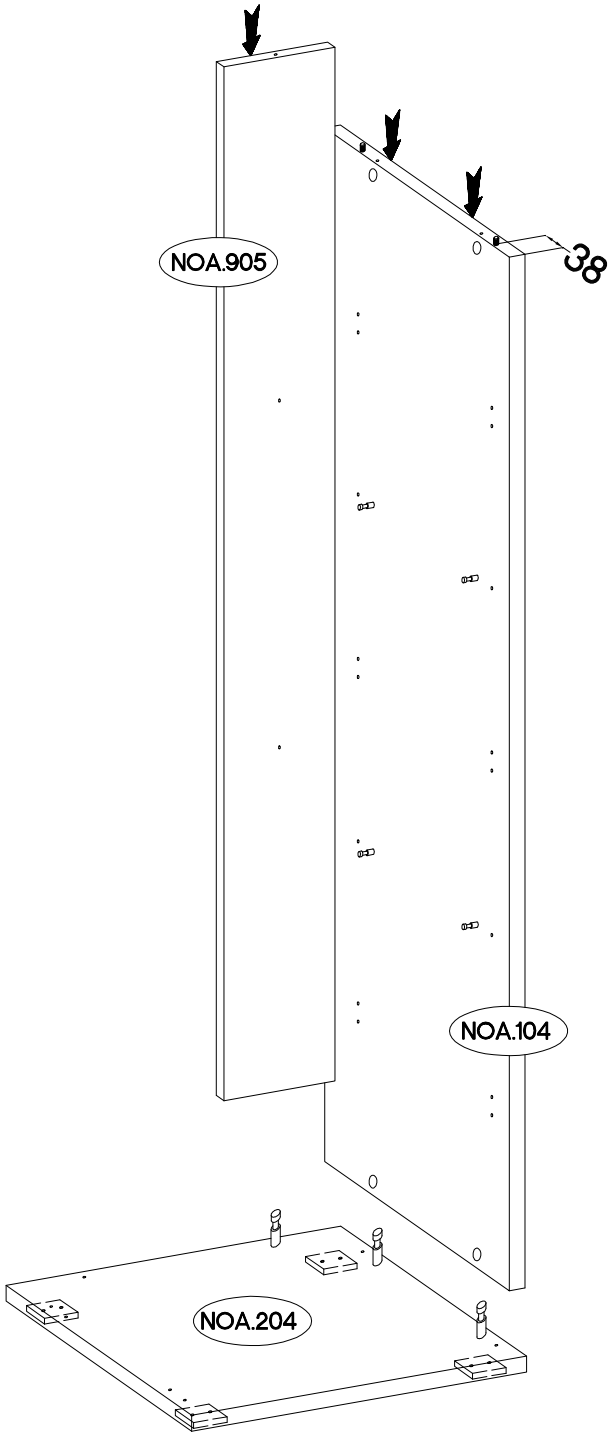


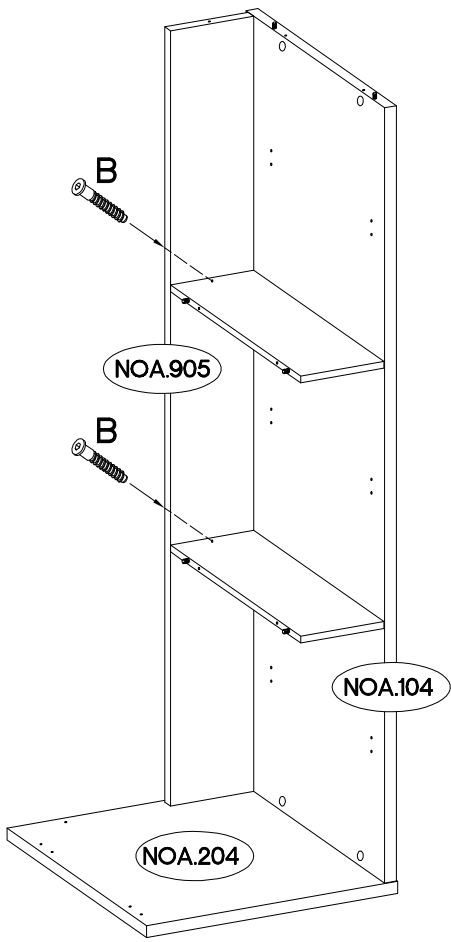
60x49x10  F28 4	†4.0x16mm  P1 8
---	---



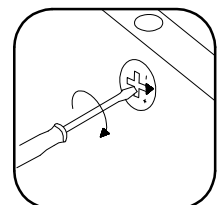
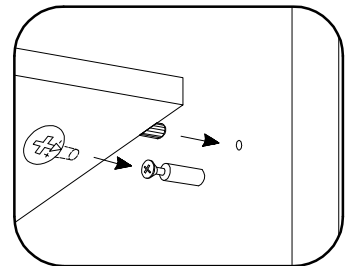
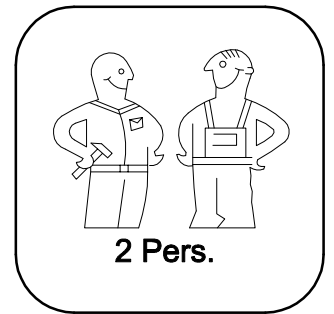
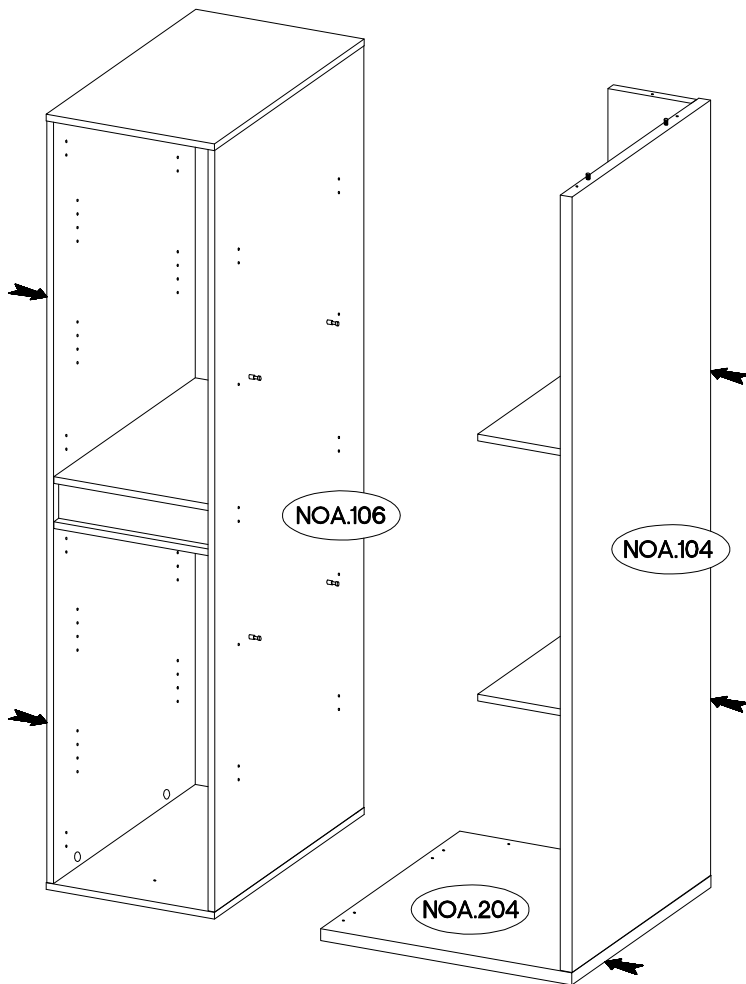
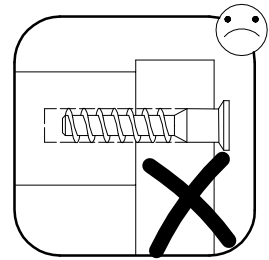
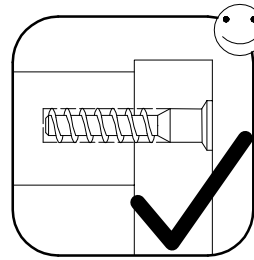
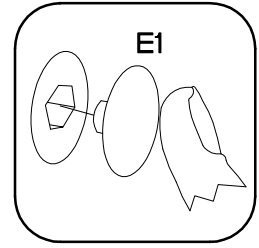
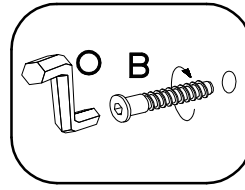
 <p>#8x30mm A 12</p>	 <p>L=20mm D2 10</p>	 <p>#15/12mm C 14</p>
--	--	---



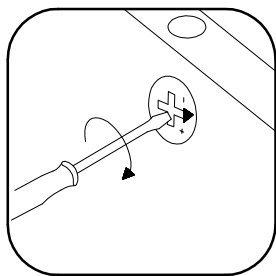
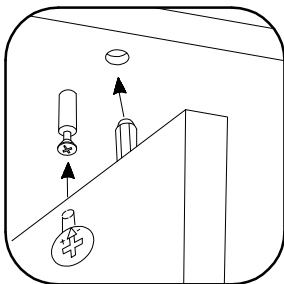
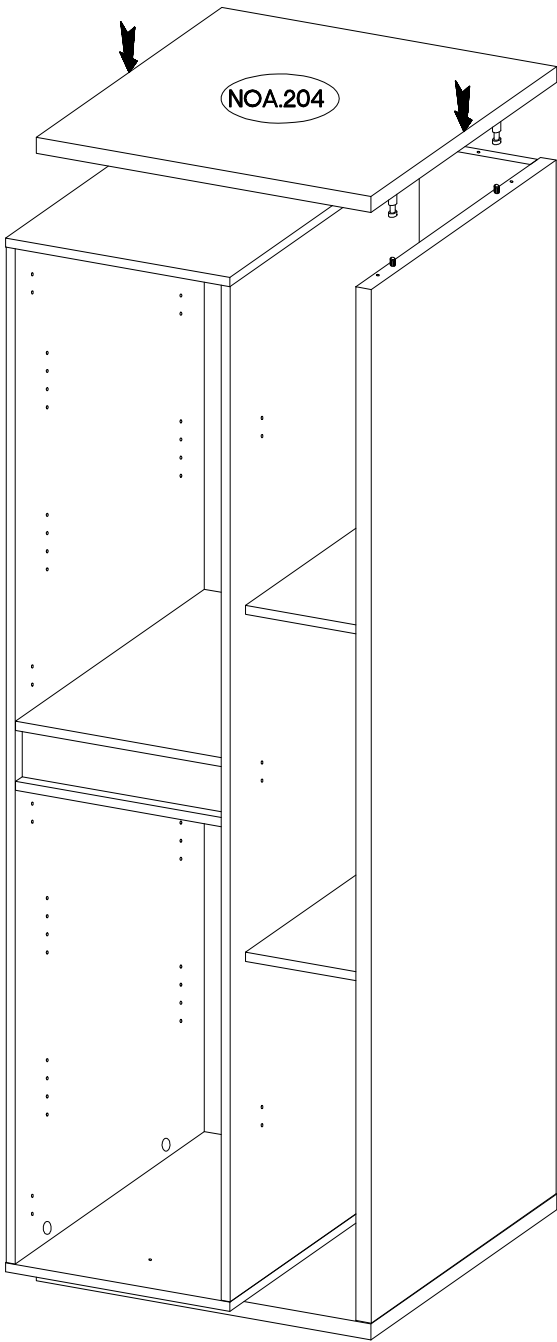




6,4 x 50mm		
B	O	E1
2	1	2

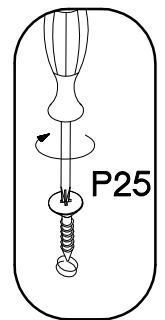
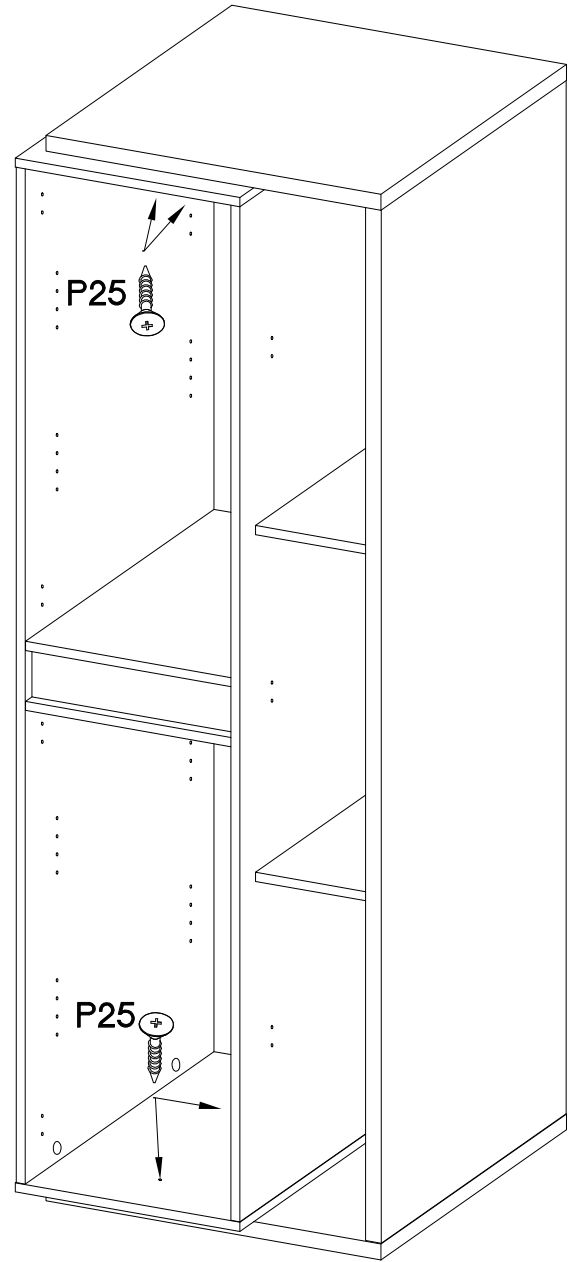


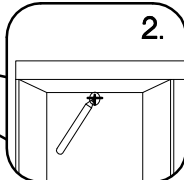
35



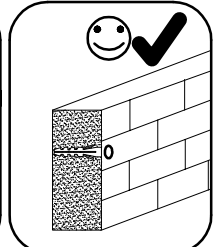
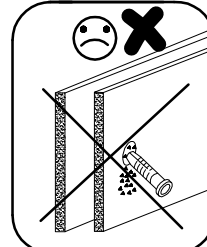
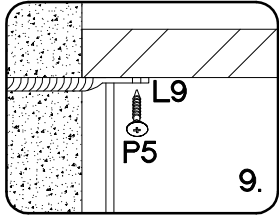
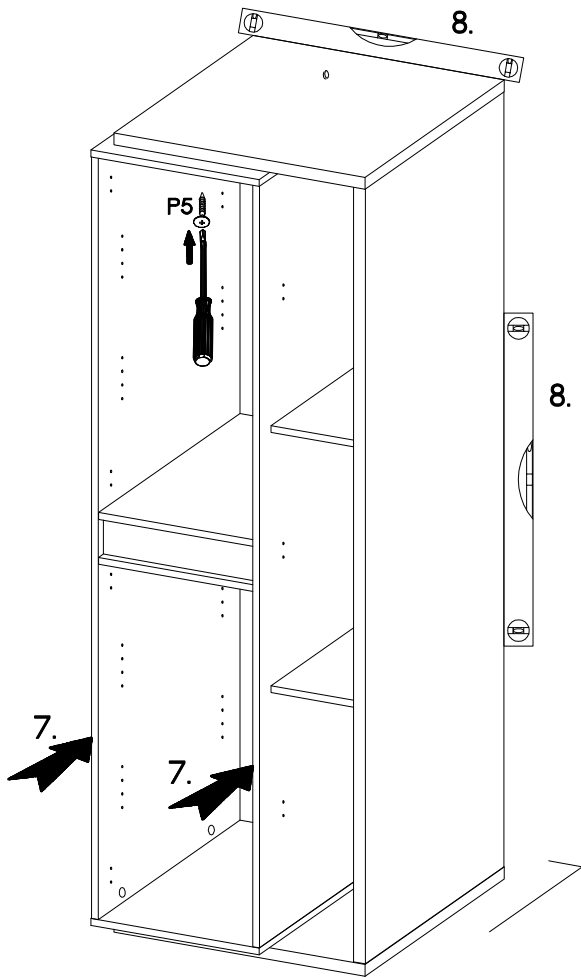
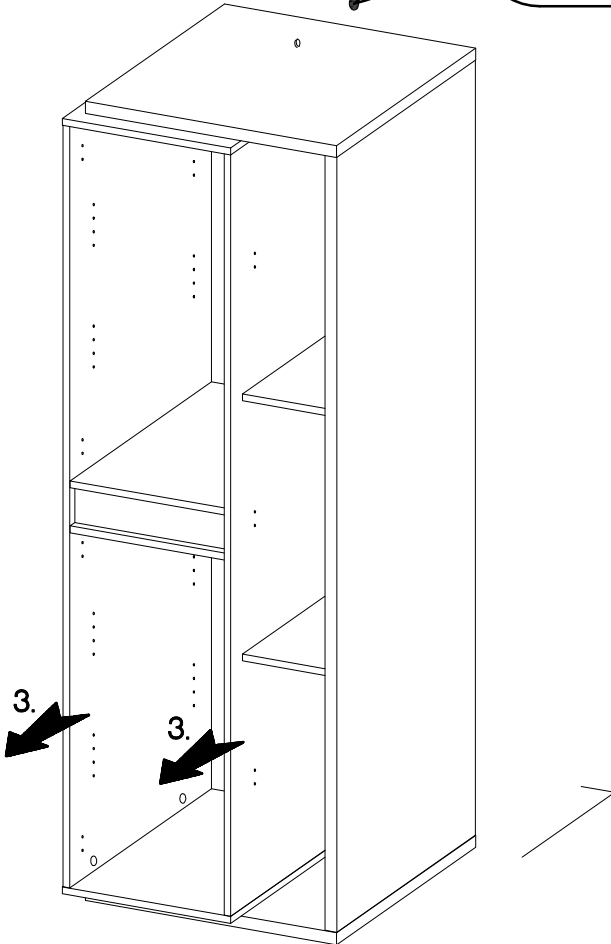
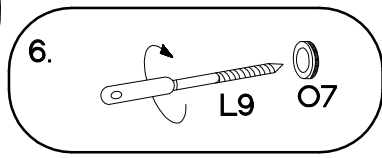
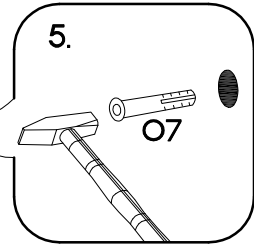
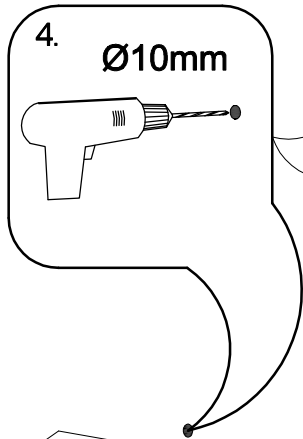
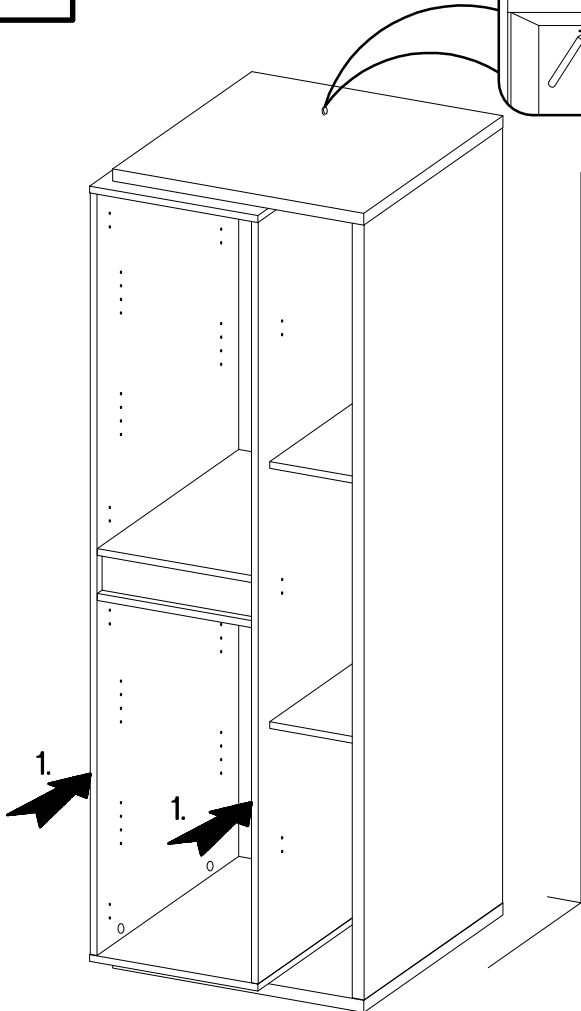
36

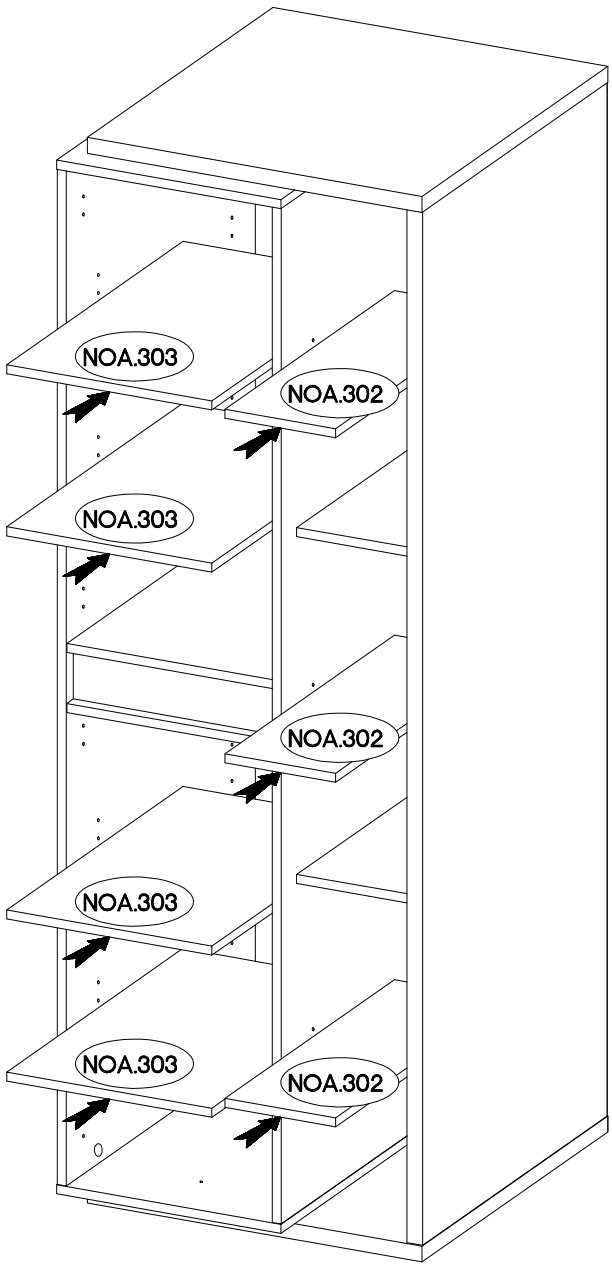
3.5x25mm
BLACK
P25
4



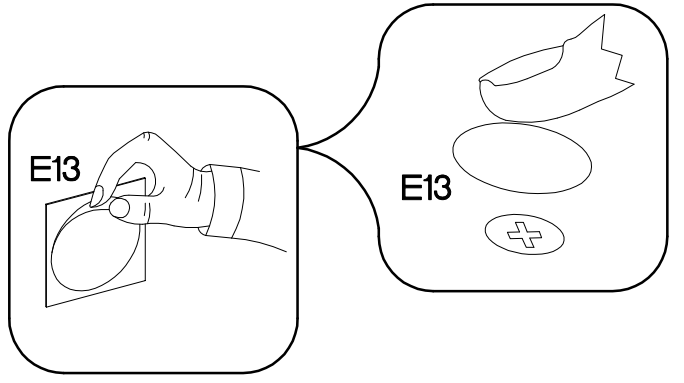
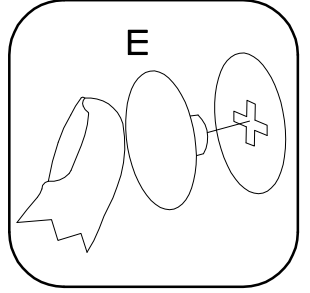
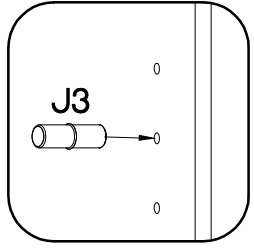


+10x50mm		+3.5x13mm
O7	L9	P5
1	1	1

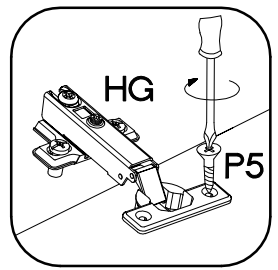
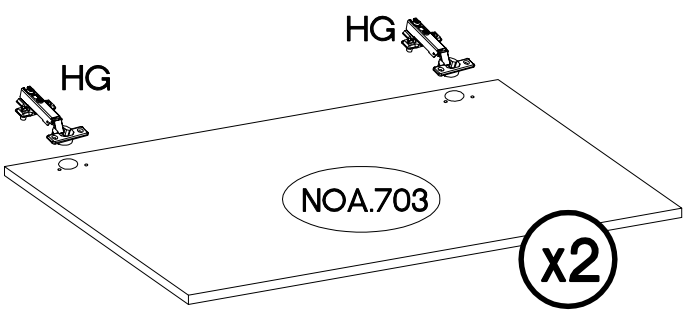


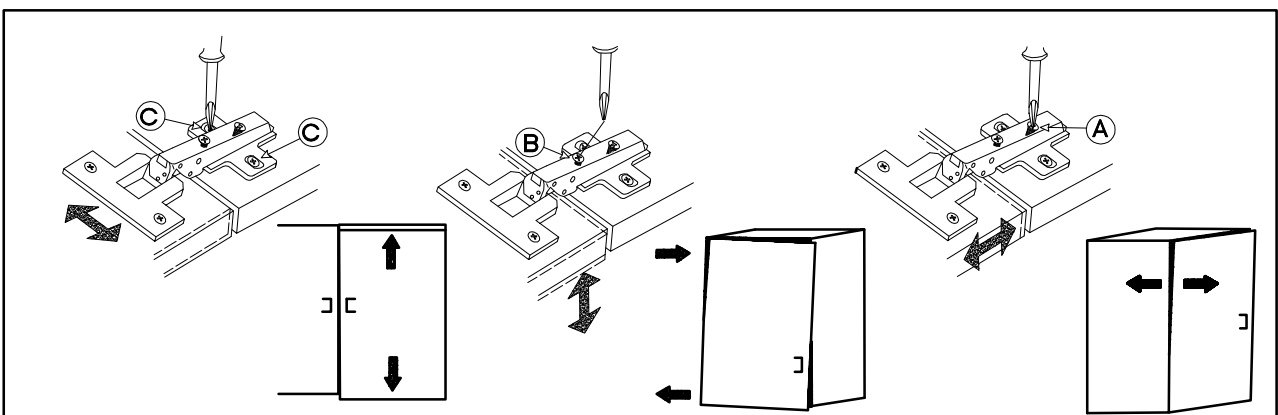
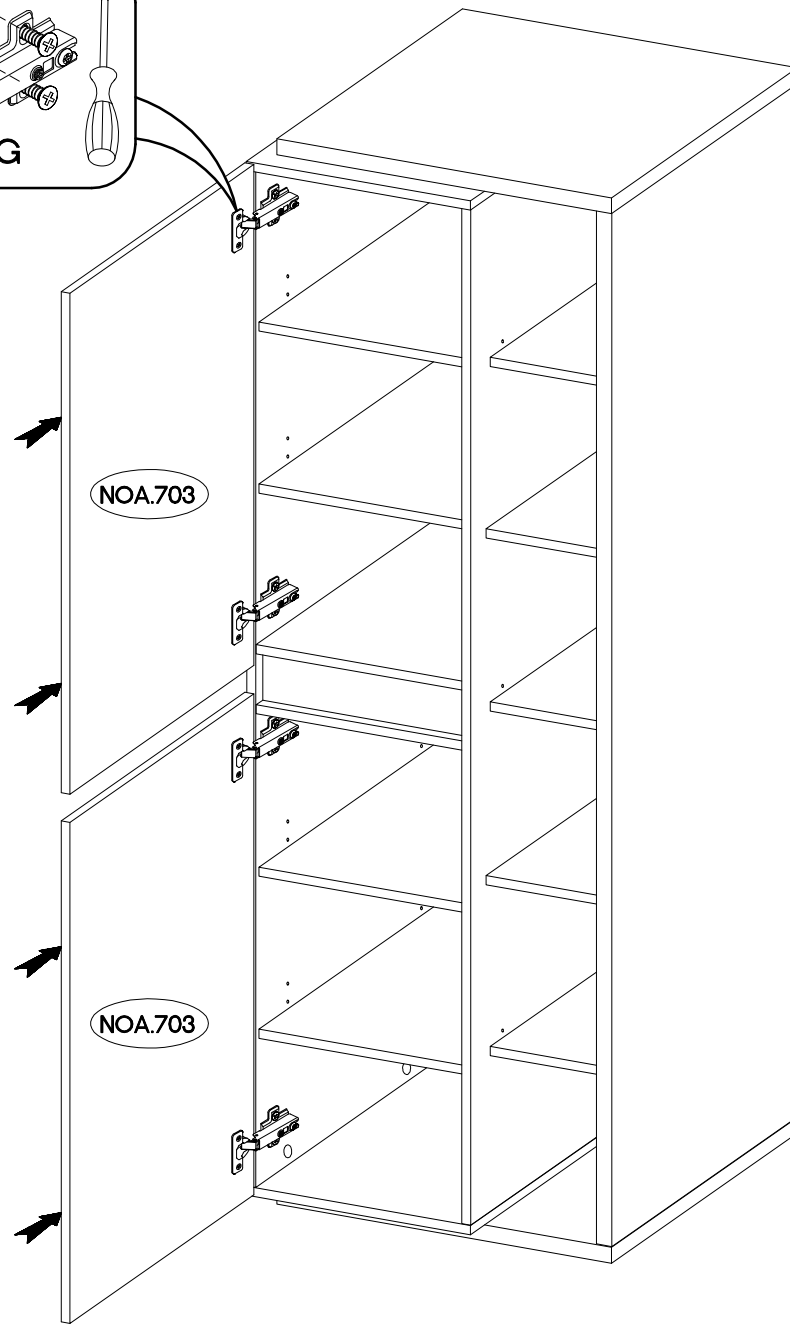
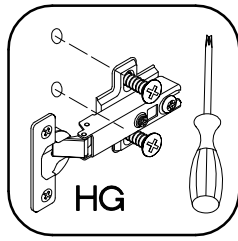


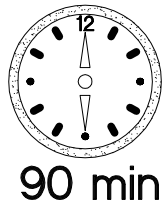
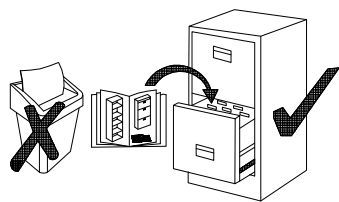
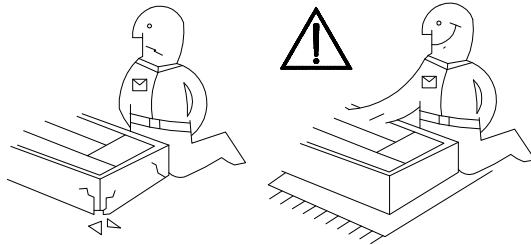
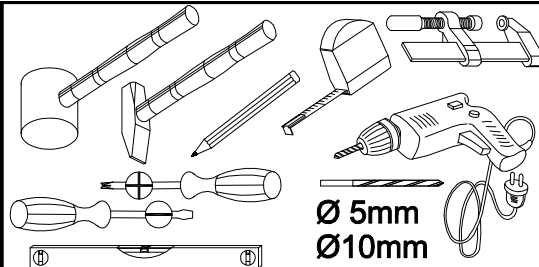
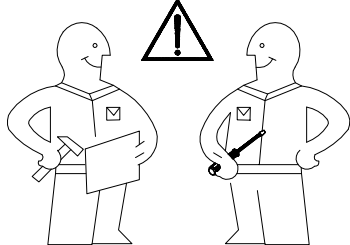
±5/16mm				±14	
	J3	ant. E	szar. E		E13
	28	12	14		4



±35/0mm	±3.5x13mm
HG	P5
4	8

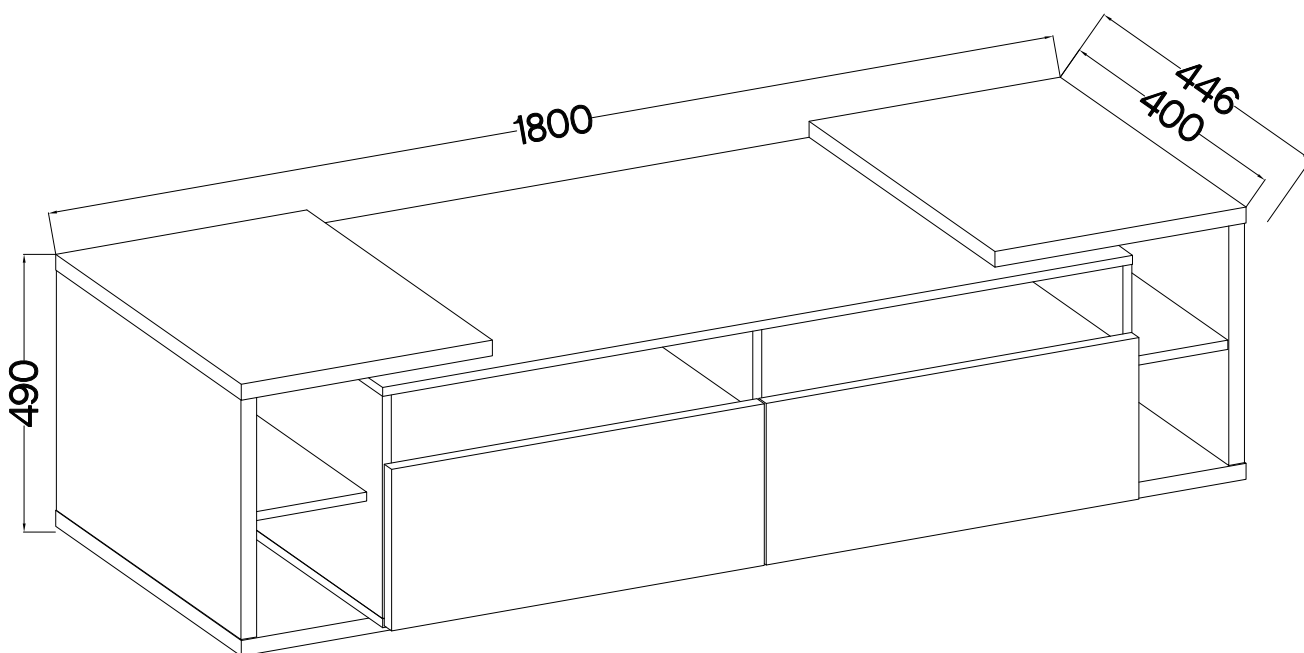
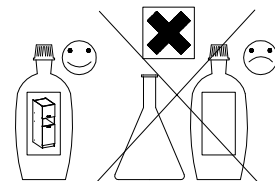
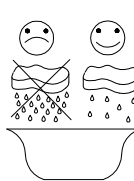


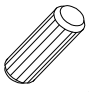
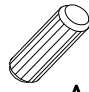


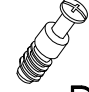
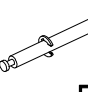




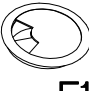
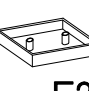

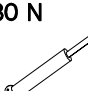
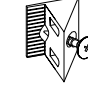









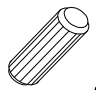
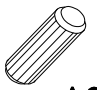


90 min

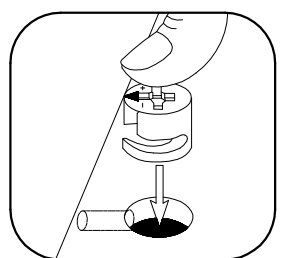
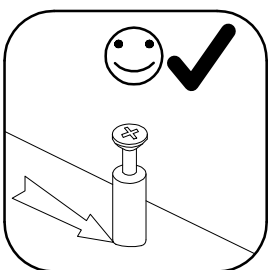
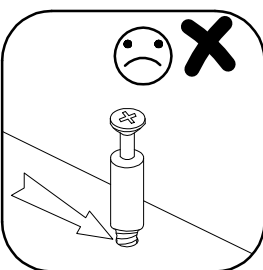
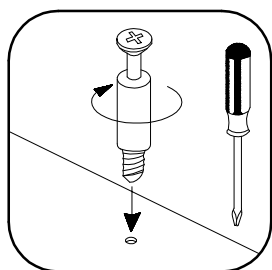
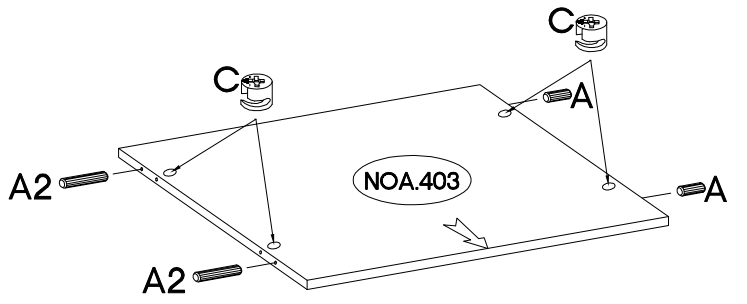
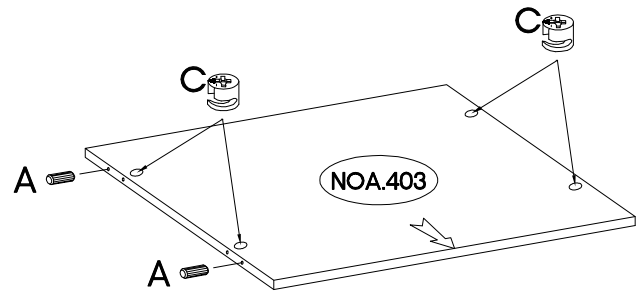
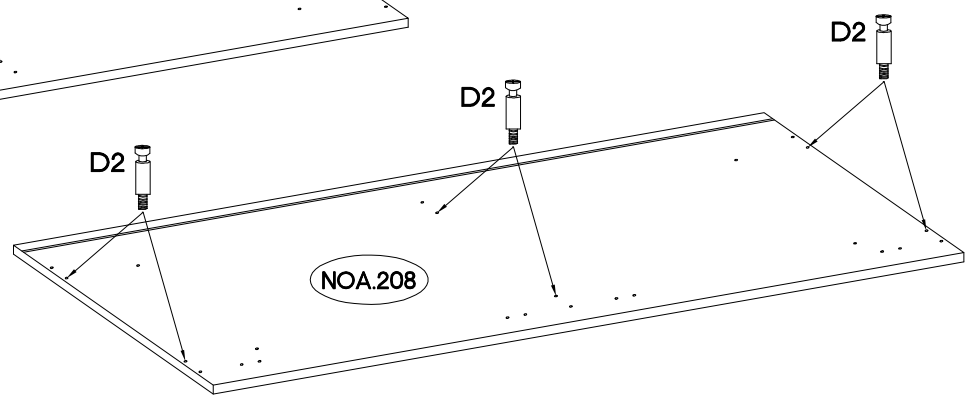
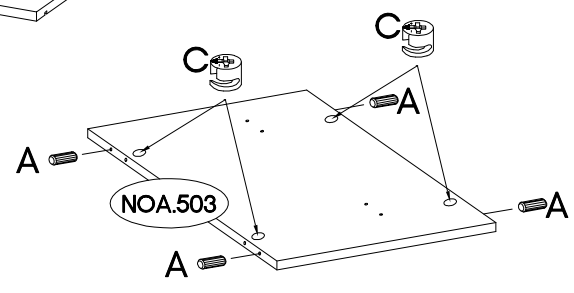
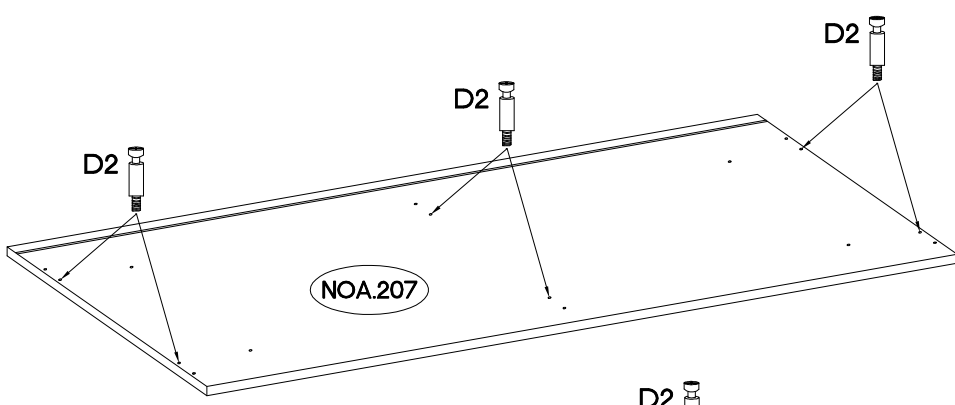
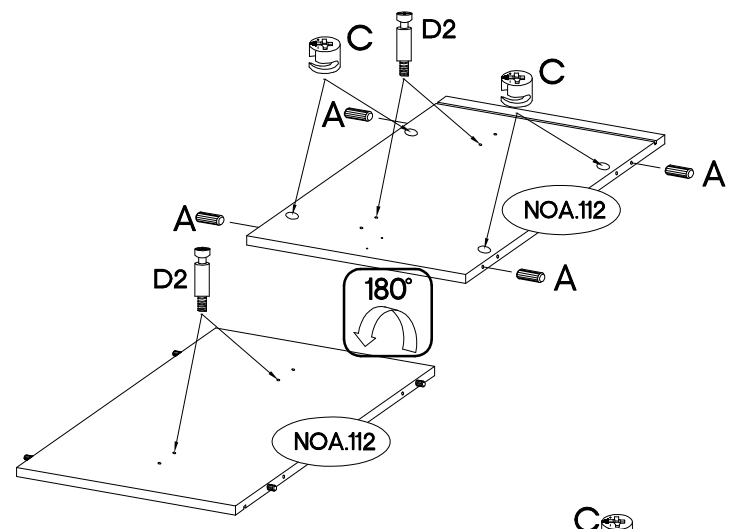
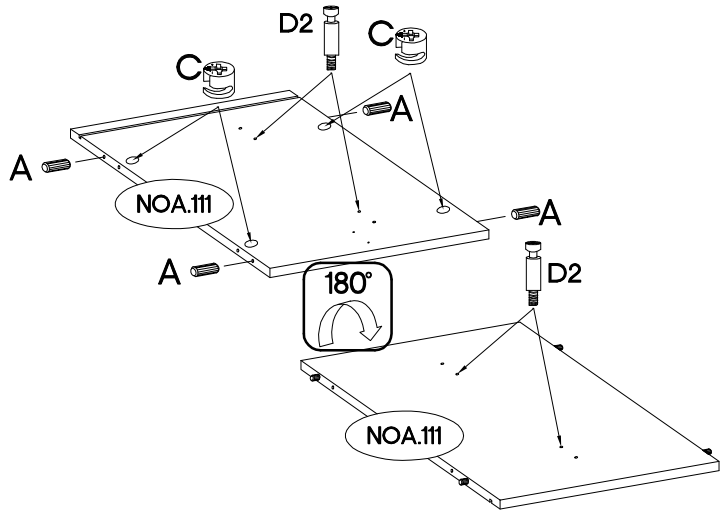
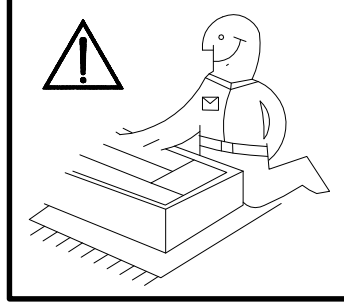
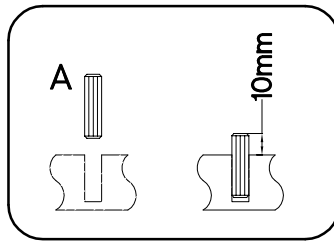
NANCY 301



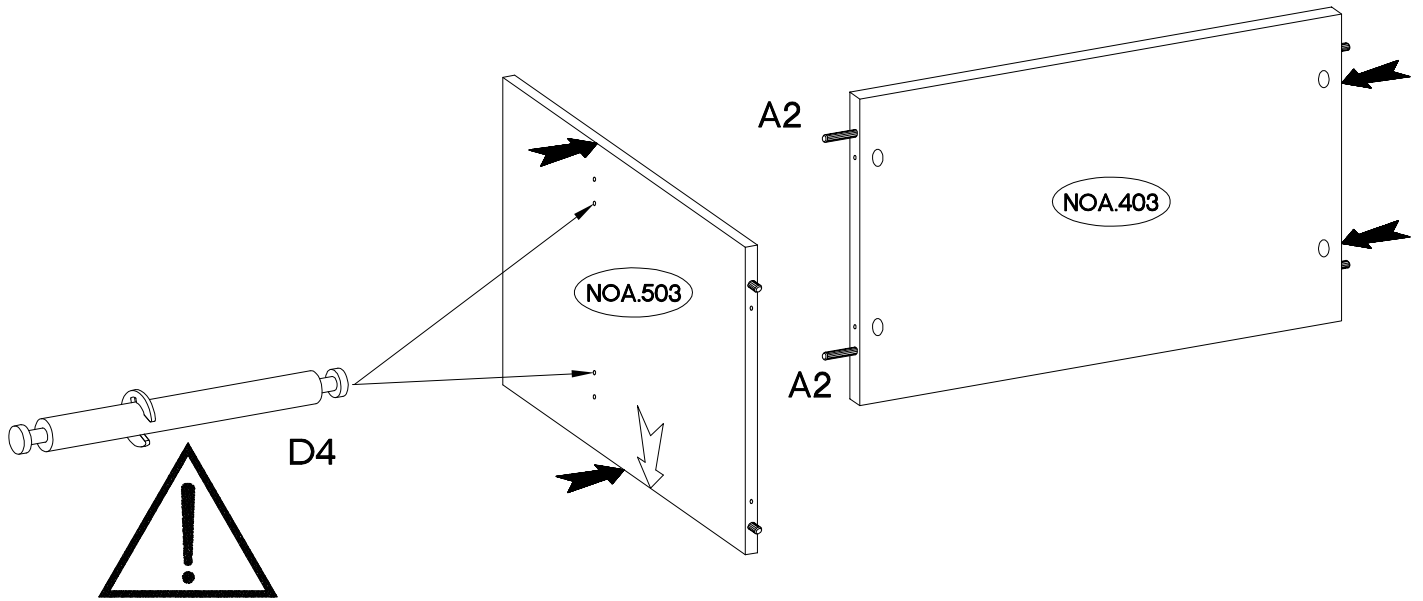
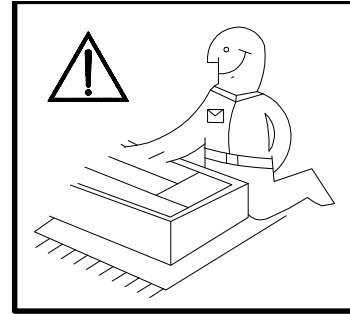
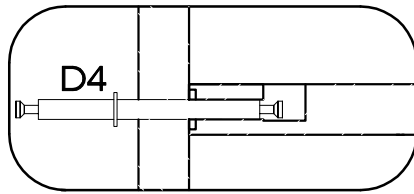
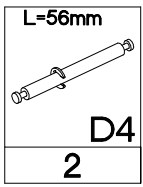
 A	 A2	 B	 C	 D2	 D4	 ant. E	 szar. E	 E1	 E13
32	2	2	40	36	2	20	20	2	4
 E17	 F28	 HG	 L=270mm 80 N BARKOWY K33	 L	 O	 P1	 P5	 P7	 P25 BLACK
2	8	4	2	14	1	16	8	10	8

ISM-NOA-004

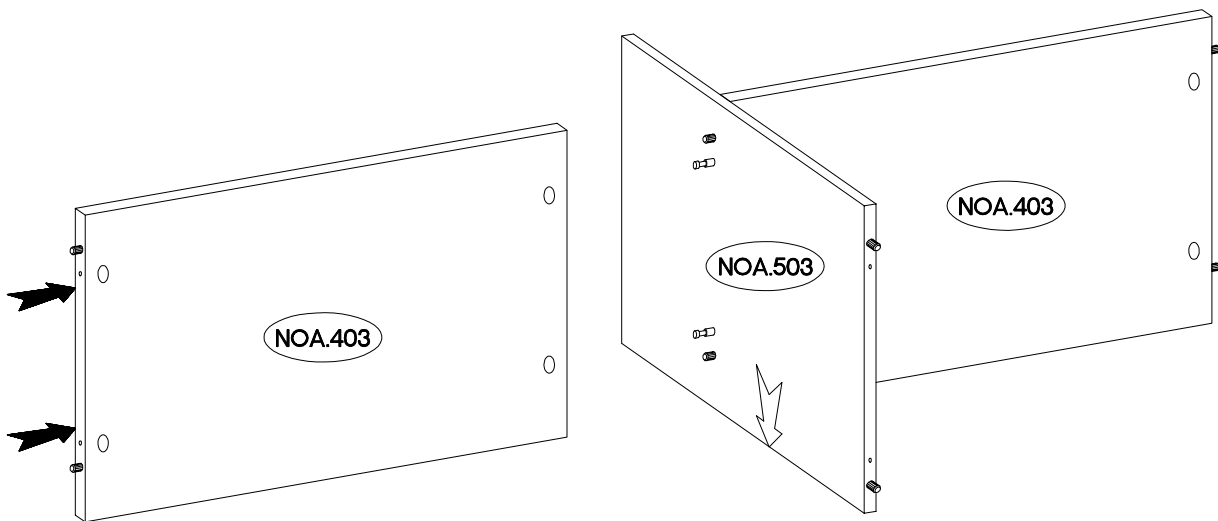
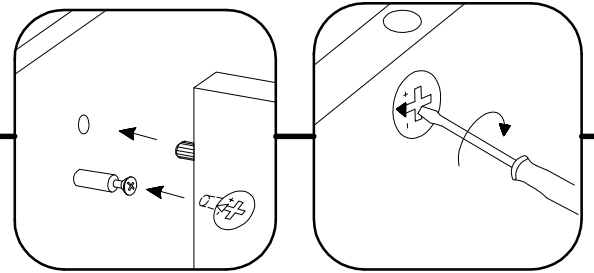
$\varnothing 8 \times 30 \text{mm}$  A 16	$\varnothing 8 \times 60 \text{mm}$  A2 2	L=20mm  D2 20	$\varnothing 15/12 \text{mm}$  C 20
--	--	--	--



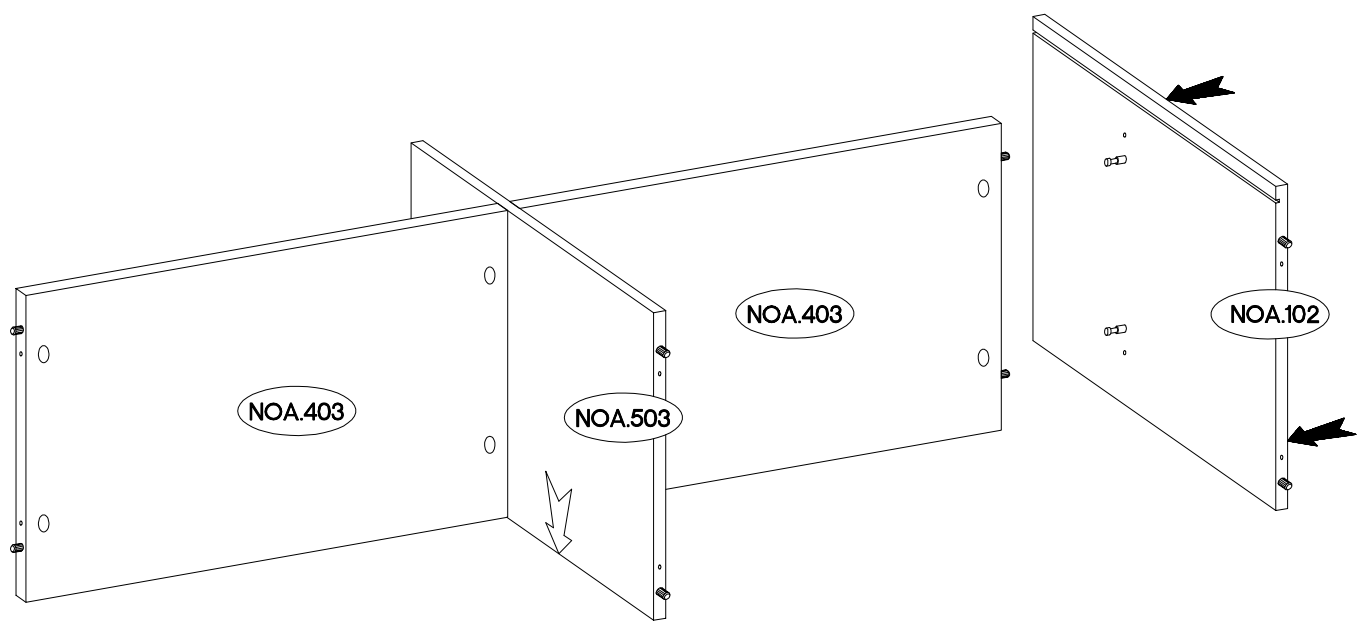
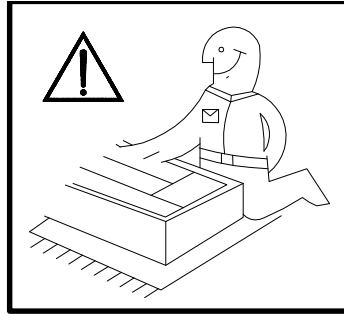
2



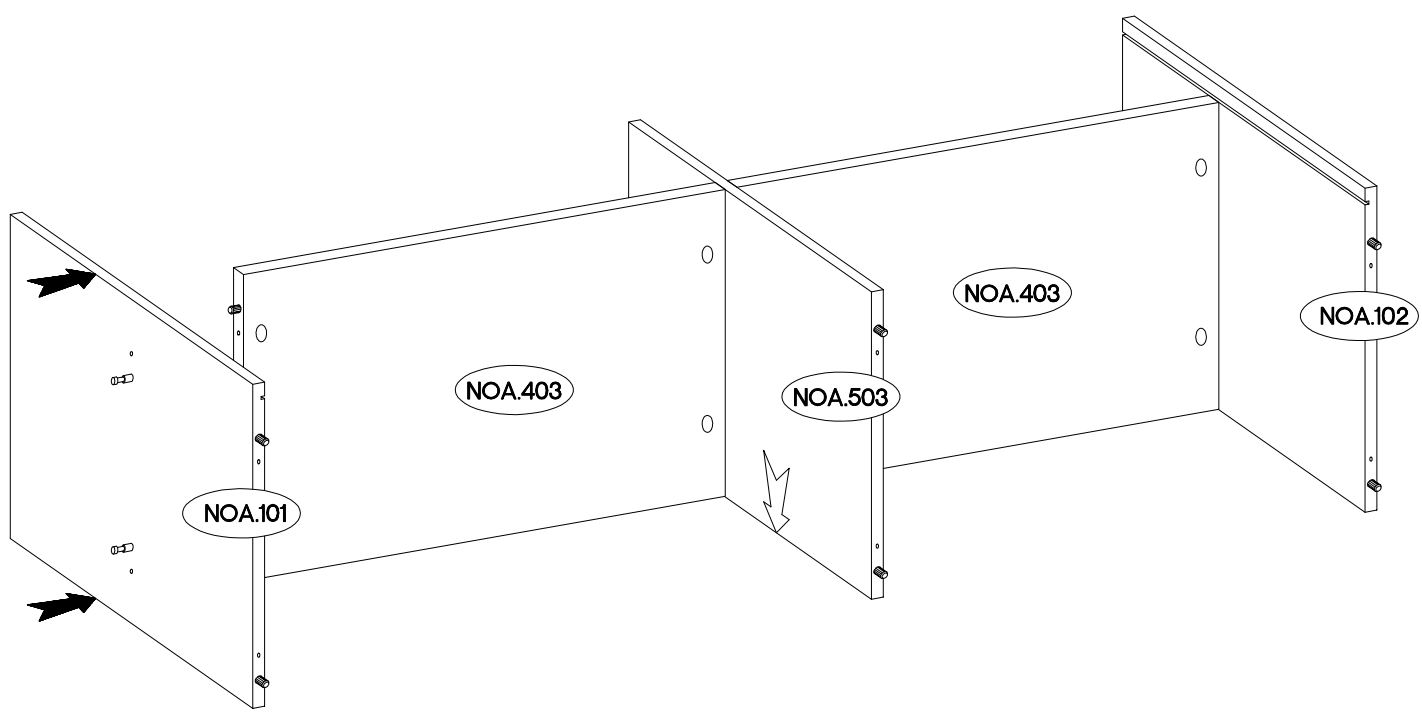
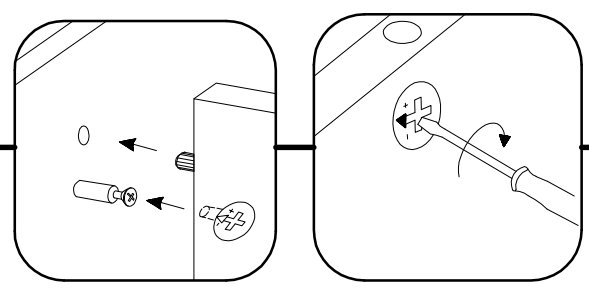
3



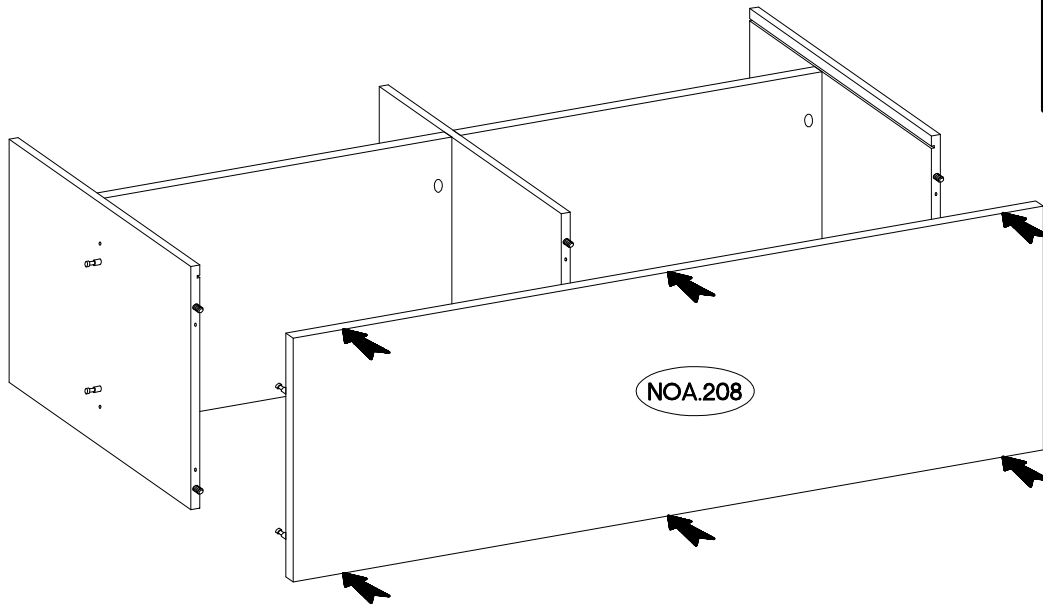
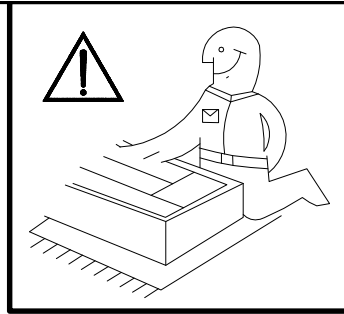
4



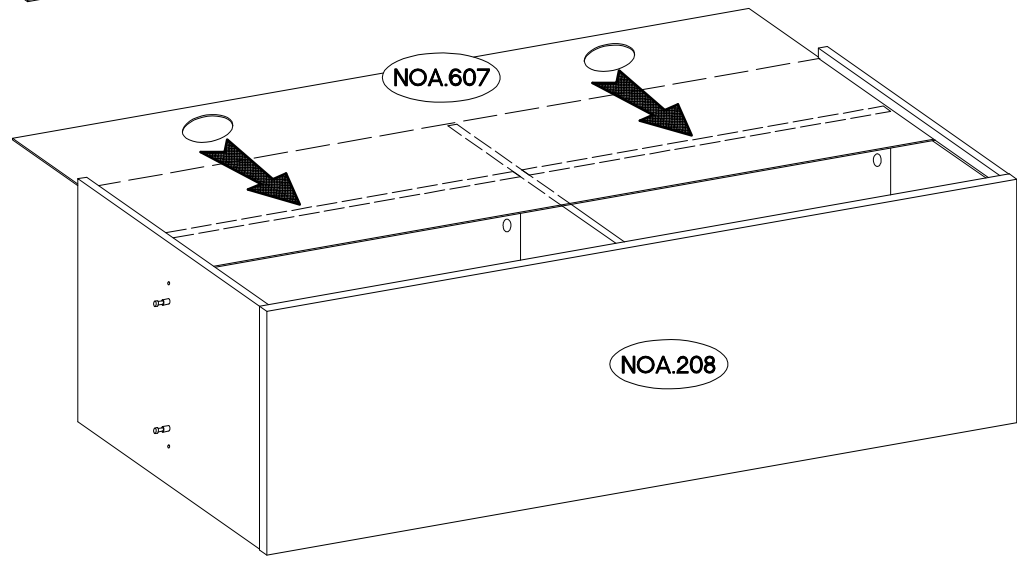
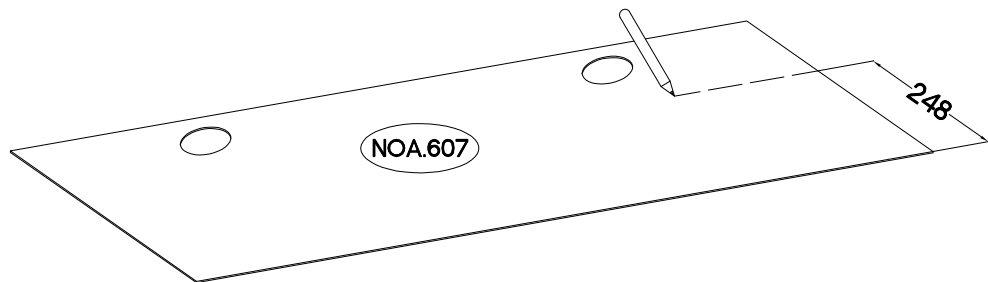
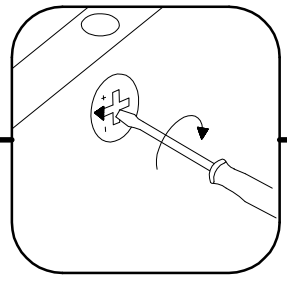
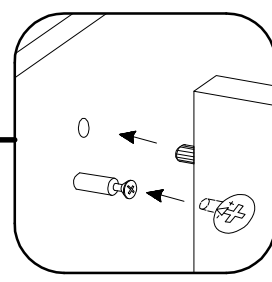
5



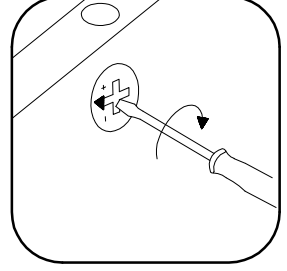
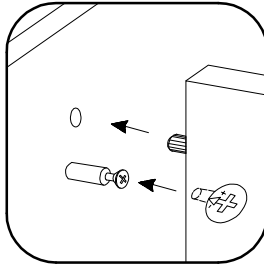
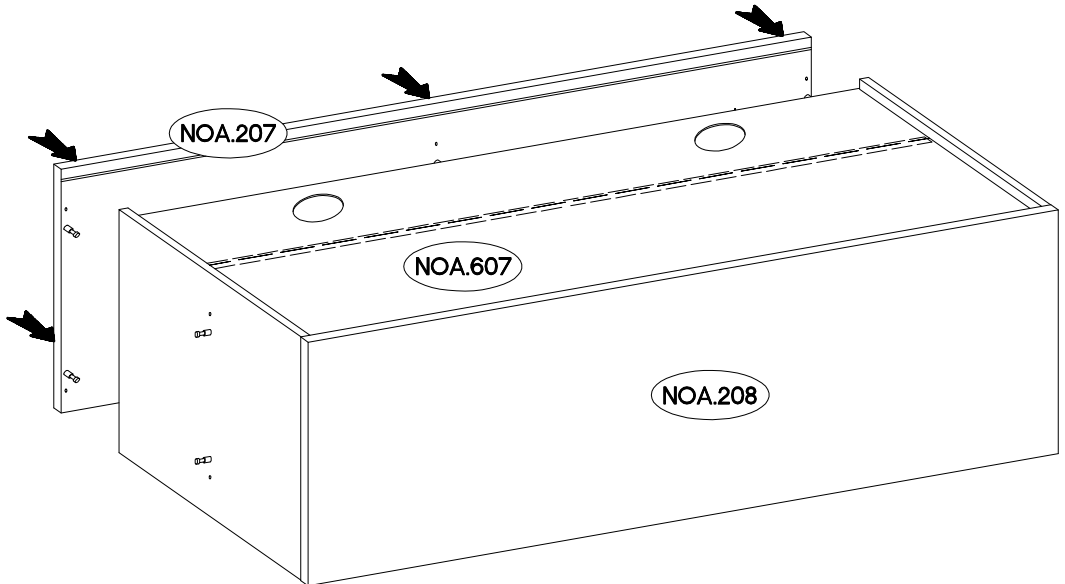
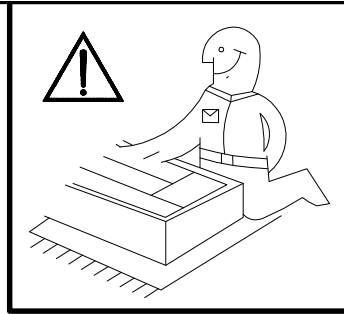
6




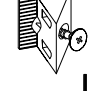
7

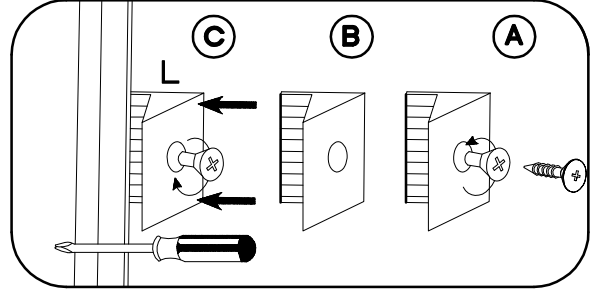
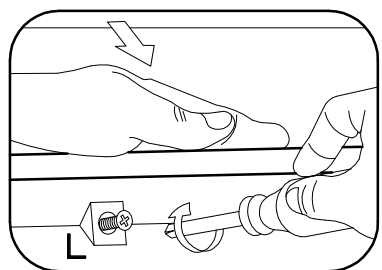
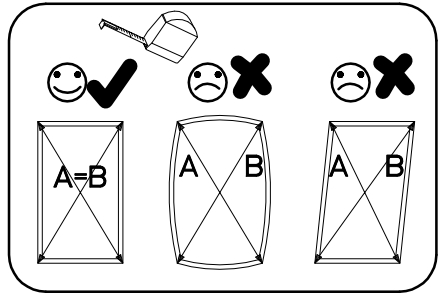
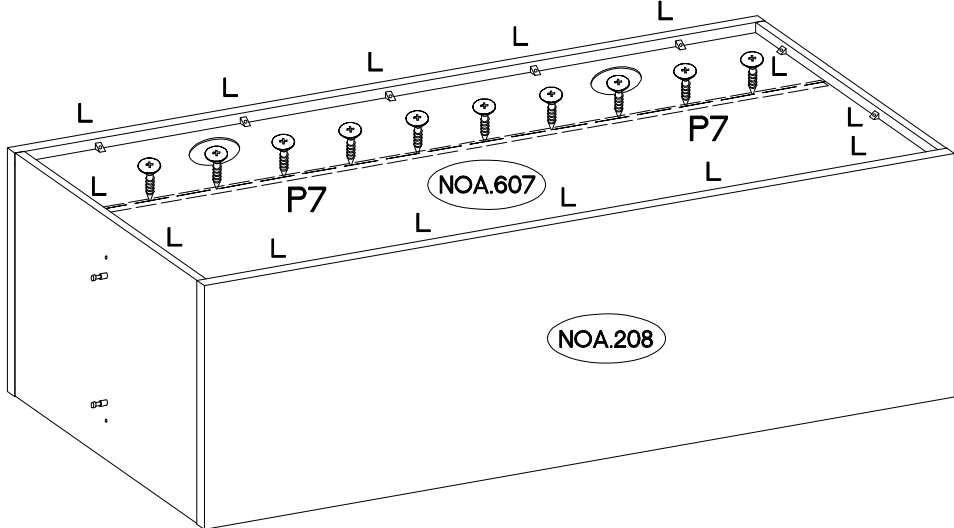
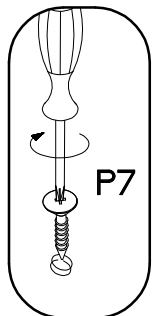


8



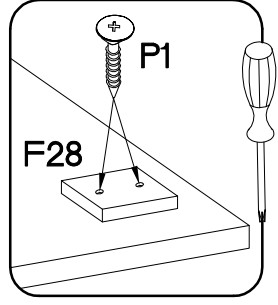
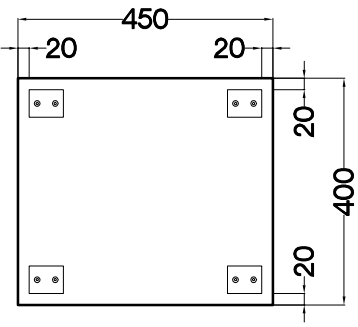
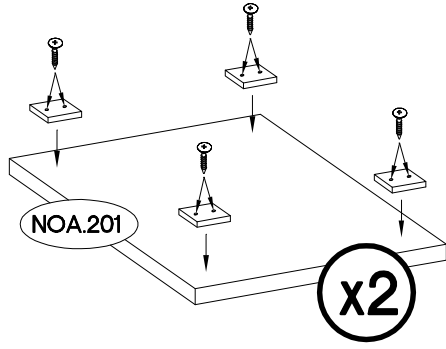
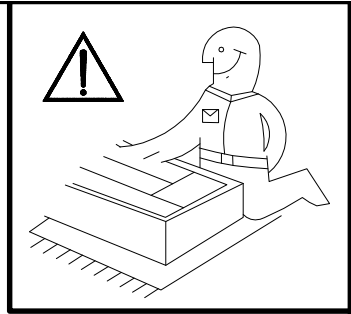
9

#3.0x20mm	
	
P7	L
10	14



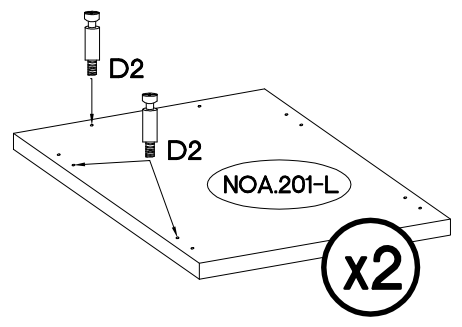
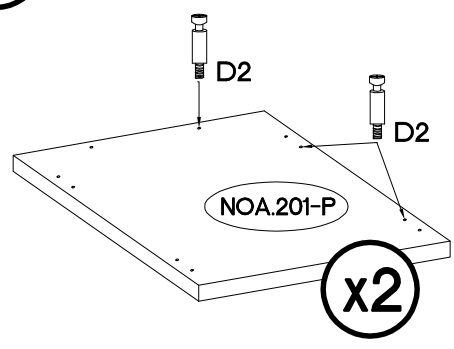
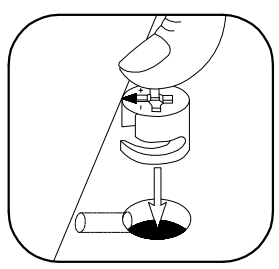
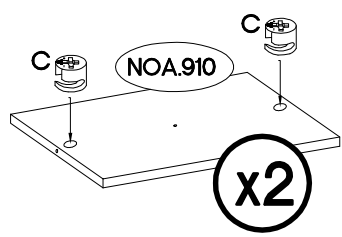
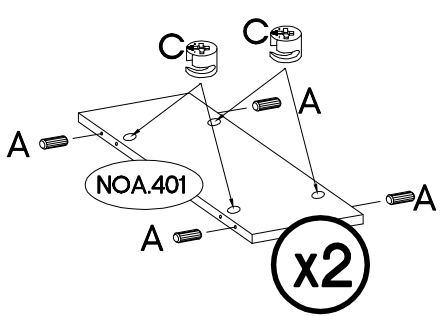
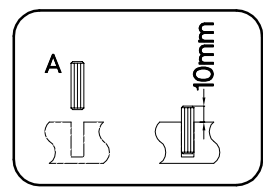
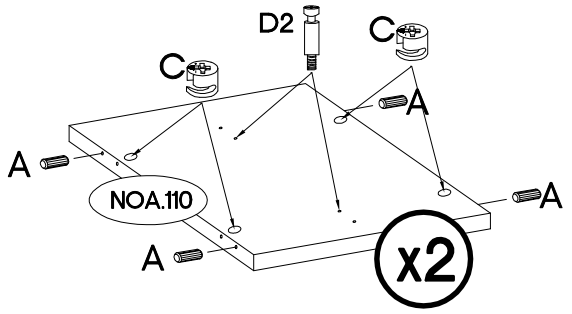
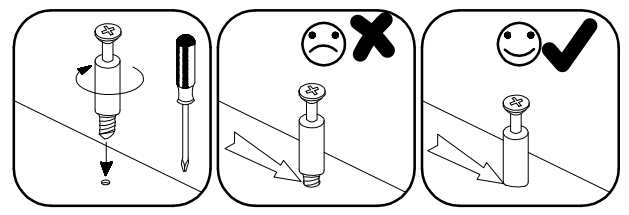
10

60x49x10	4.0x16mm
F28	P1
8	16

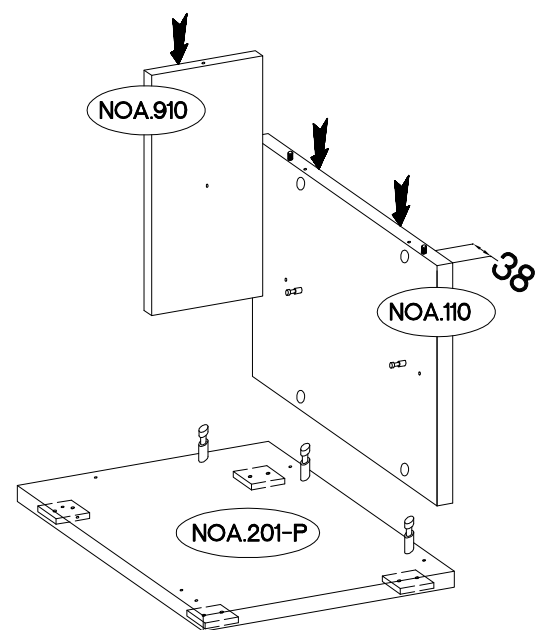
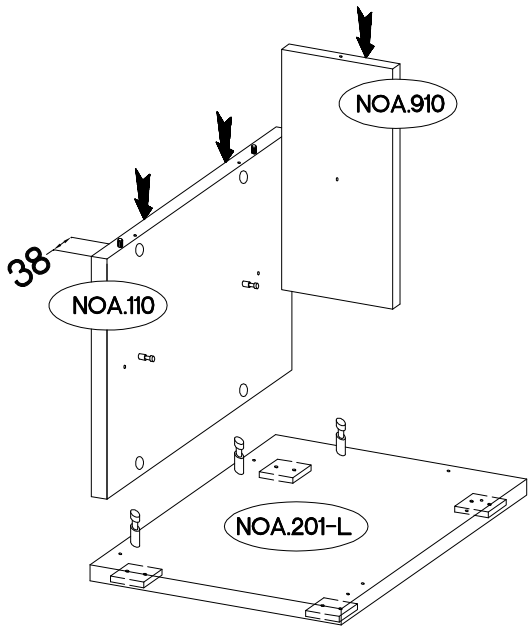
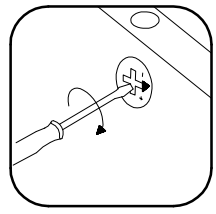
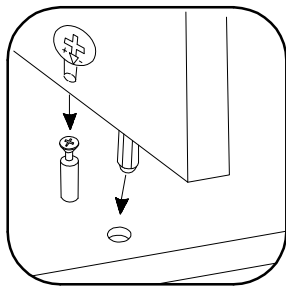


11

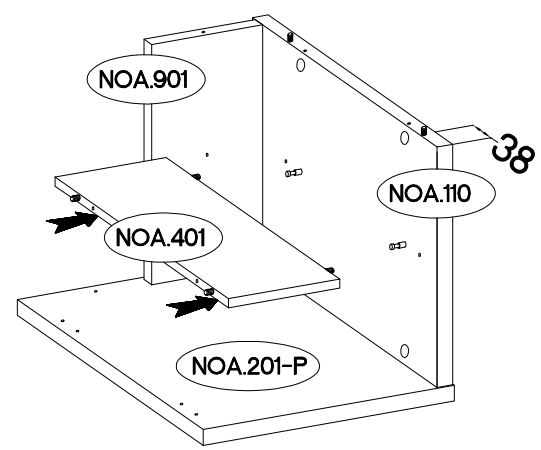
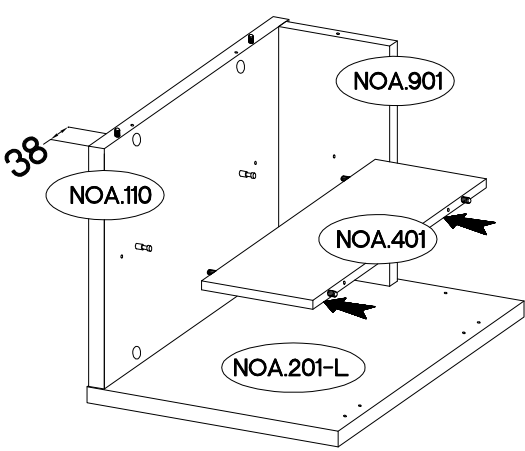
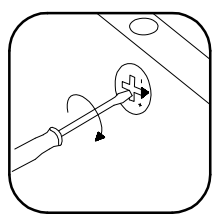
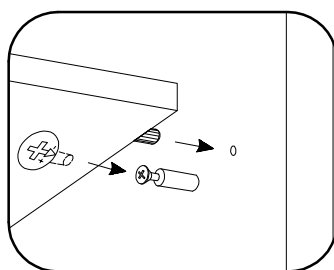
8x30mm	L=20mm	#15/12mm
A	D2	C
16	16	20




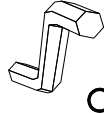

12

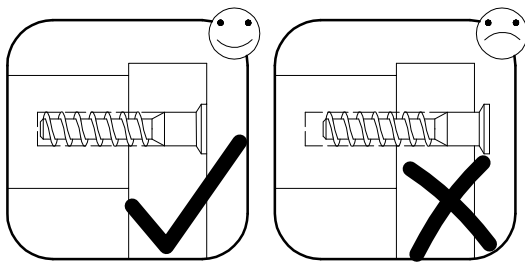
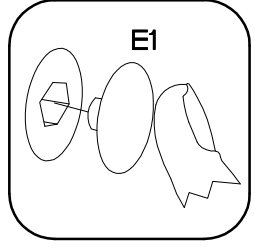
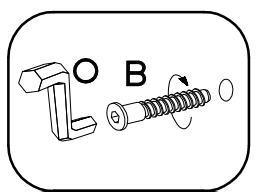
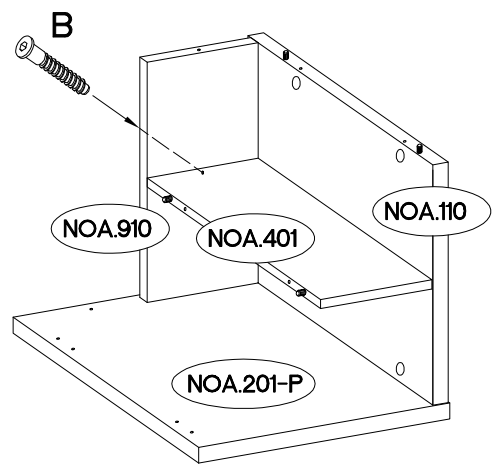
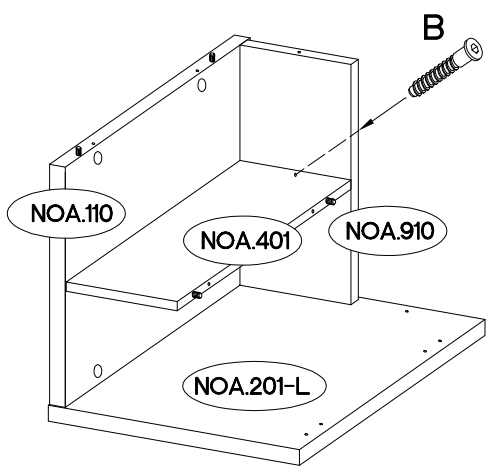


13

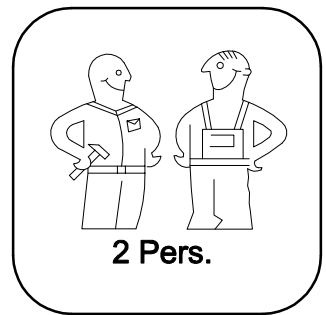
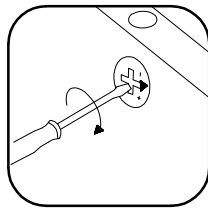
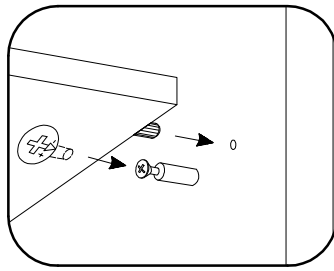
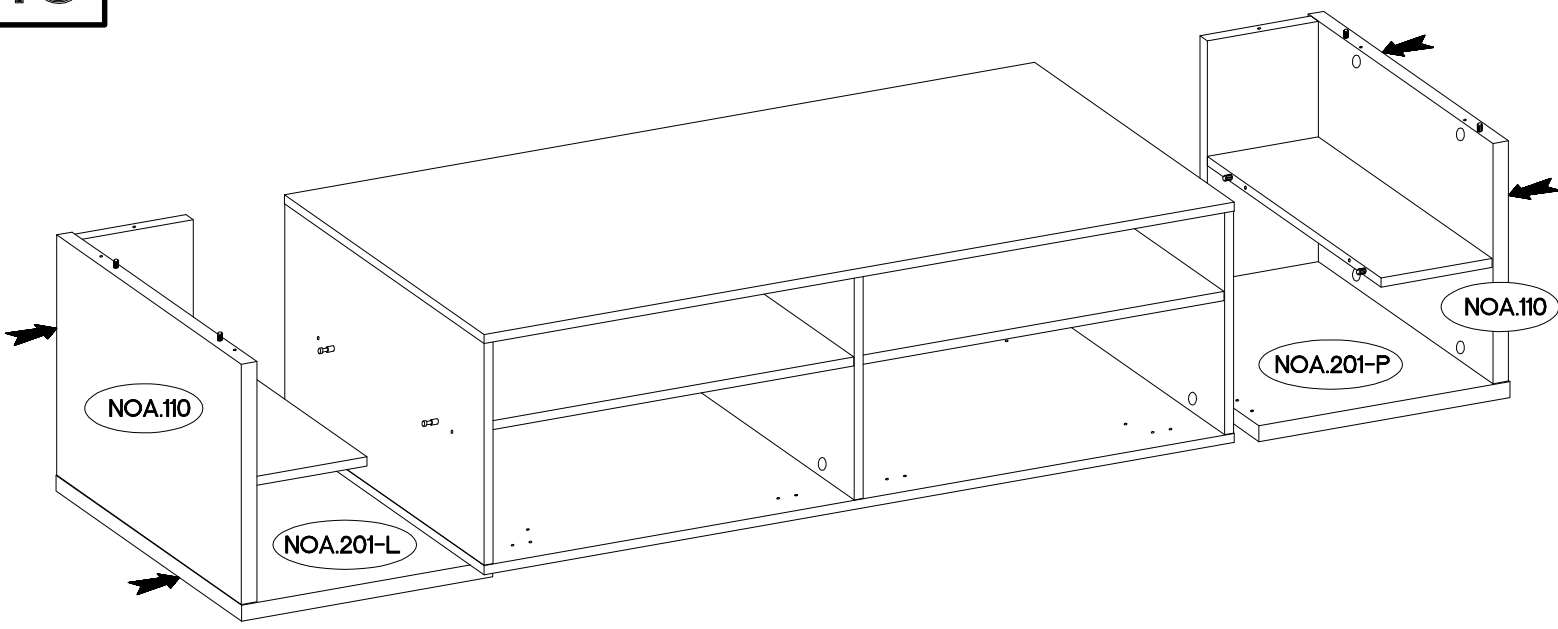


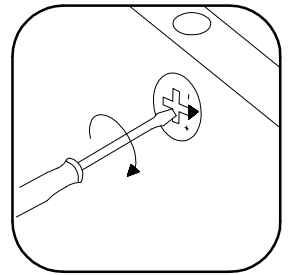
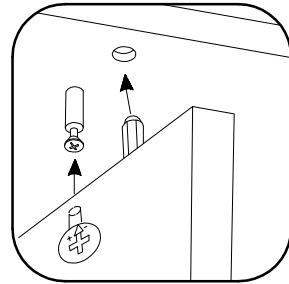
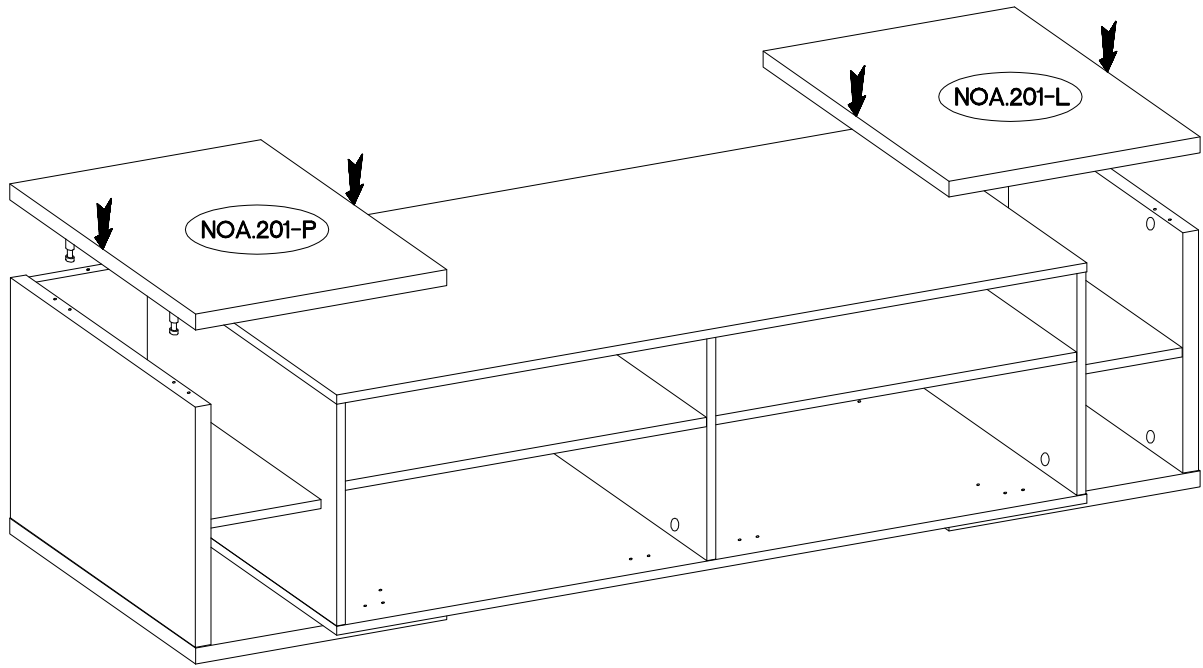
14



6,4 x 50mm		
		
B	O	E1
2	1	2

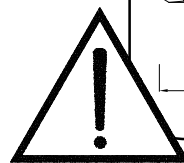
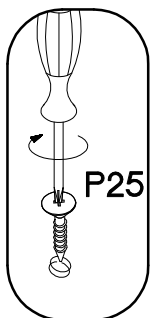
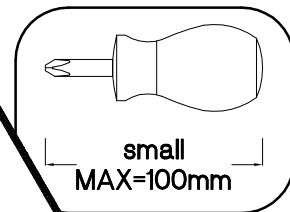
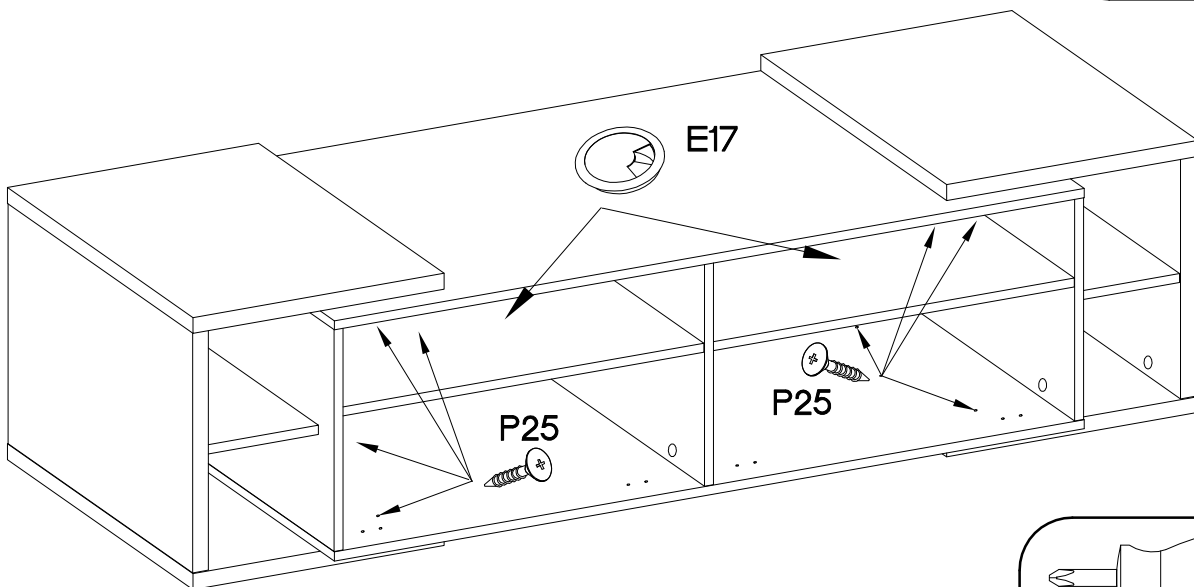
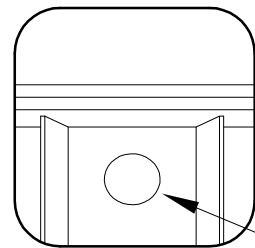




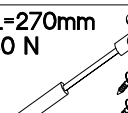
15

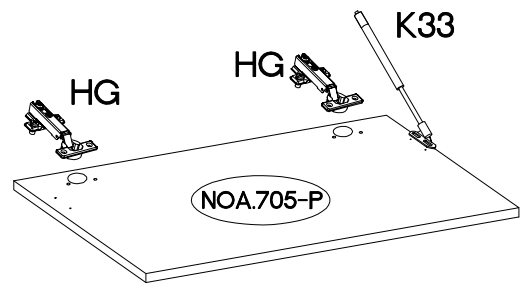
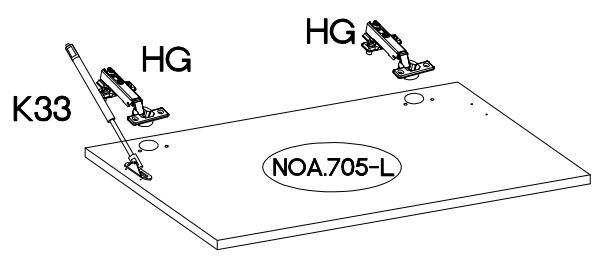
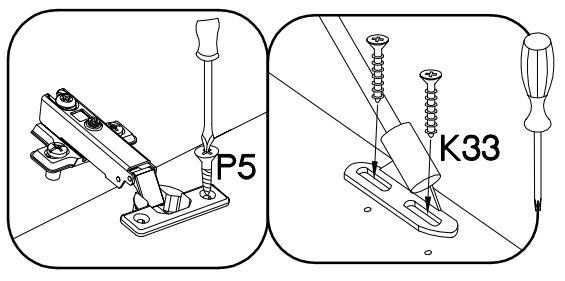







<p>3.5x25mm BLACK</p>  <p>P25</p> <p>8</p>	<p>60</p>  <p>E17</p> <p>2</p>
---	---



 HG 4	 P5 8	 L=270mm 80 N BARKOWY K33 2
---	---	--



 ant. E 20	 szar. E 20	 φ14 E13 4
---	--	--

