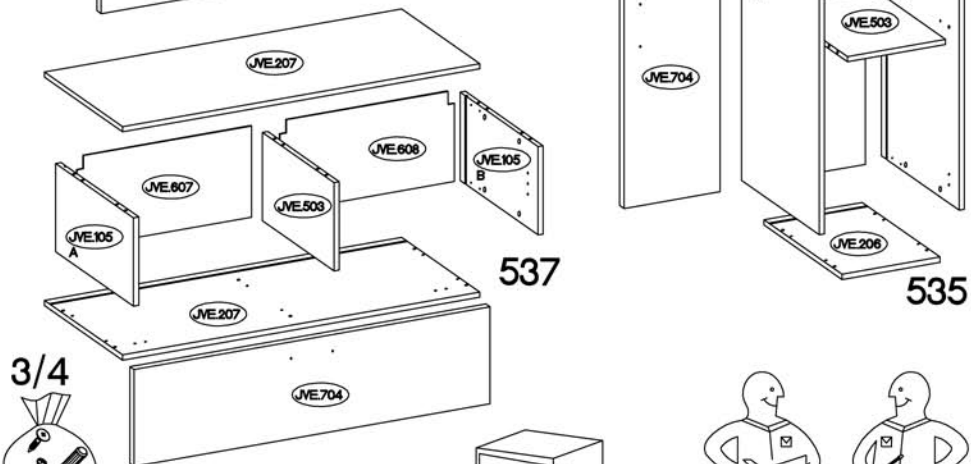
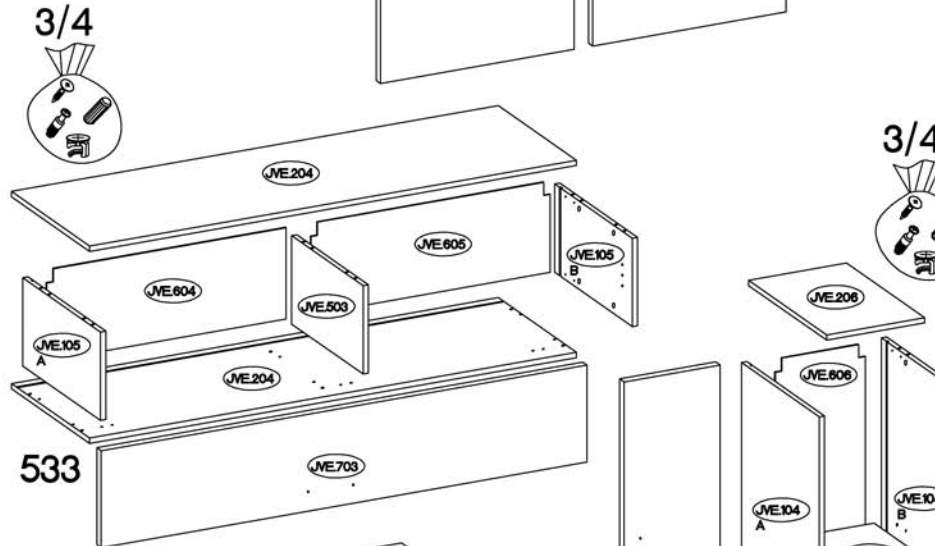
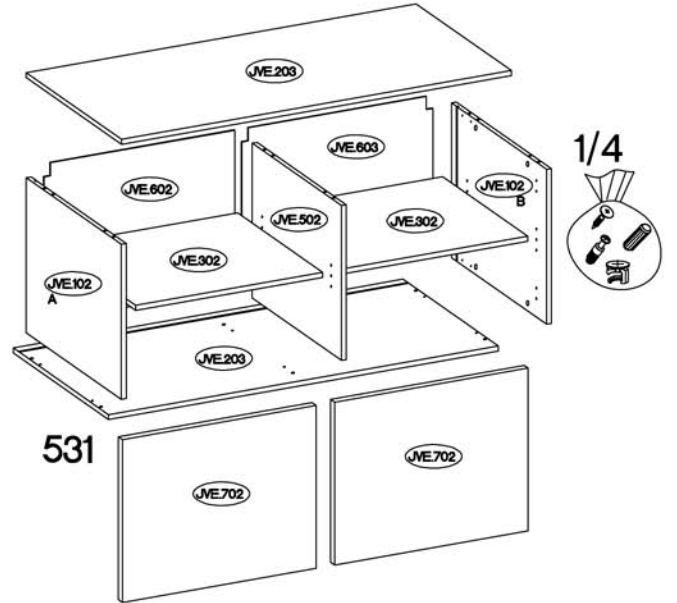
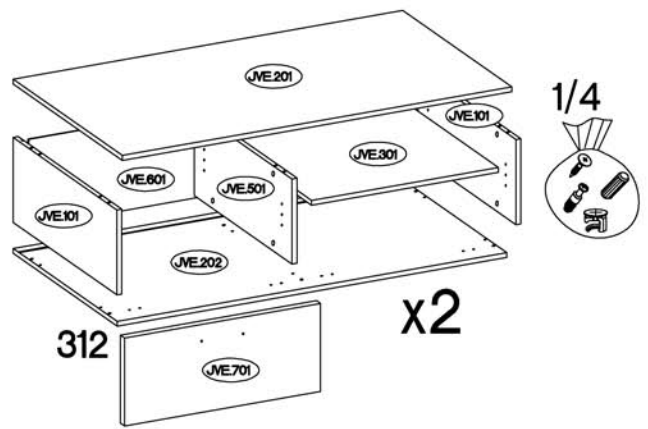
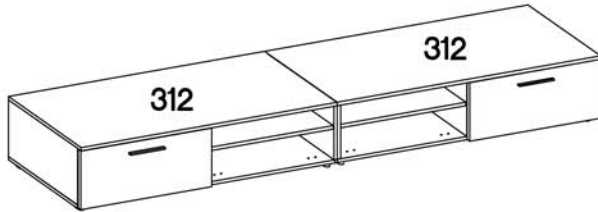
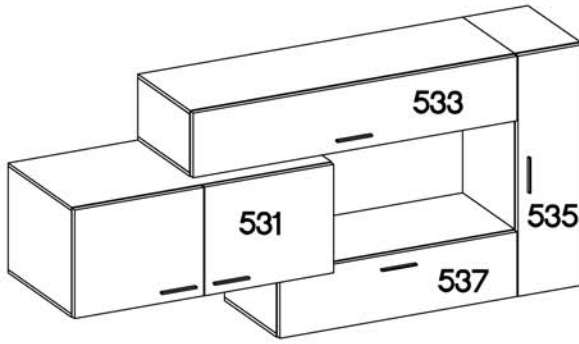
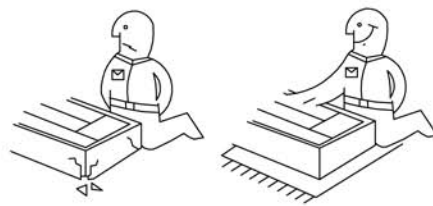


# JORMA

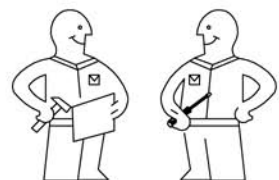
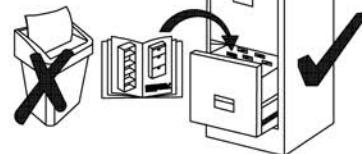


Coli	Typ	Ersatzteil Nummer	Dimension
1/4	312	JVE.601 x2	267x595x2,5
		JVE.701 x2	604x267x15
	531	JVE.102 x2	470x352x15
		JVE.203 x2	1200x353x15
		JVE.302 x2	576x315x15
		JVE.502	470x330x15
		JVE.602	479x588x2,5
JVE.603	479x588x2,5		
JVE.702 x2	596x494x15		

Coli	Typ	Ersatzteil Nummer	Dimension
2/4	312	JVE.101 x4	258x384x15
		JVE.201 x2	1200x404x15
		JVE.202 x2	1200x385x15
		JVE.301 x2	576x357x15
		JVE.501 x2	258x361x15

Coli	Typ	Ersatzteil Nummer	Dimension
3/4	533	JVE.103 x2	268x288x15
		JVE.204 x2	1500x289x15
	535	JVE.104 x2	1068x288x15
		JVE.206 x2	300x289x15
		JVE.207 x2	1100x289x15

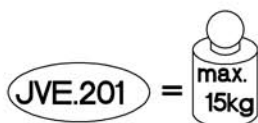
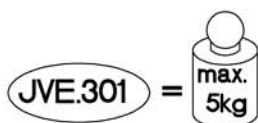
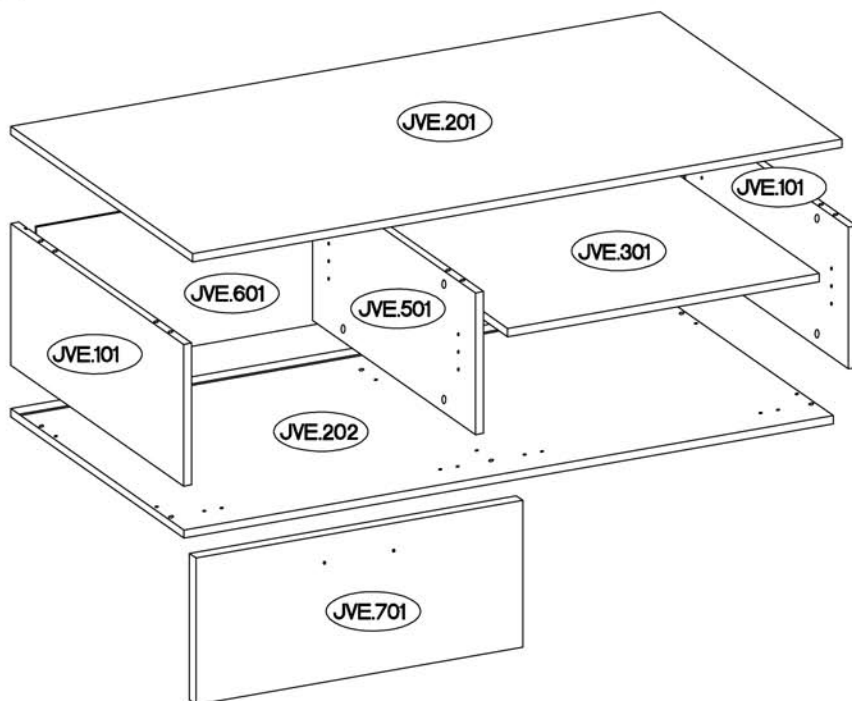
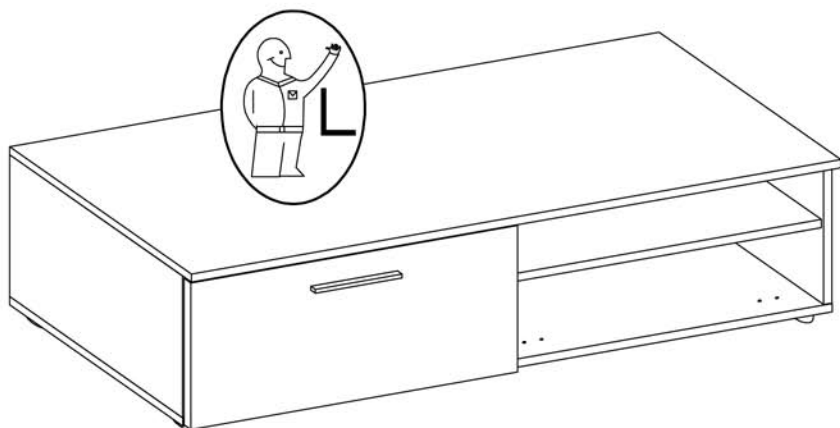
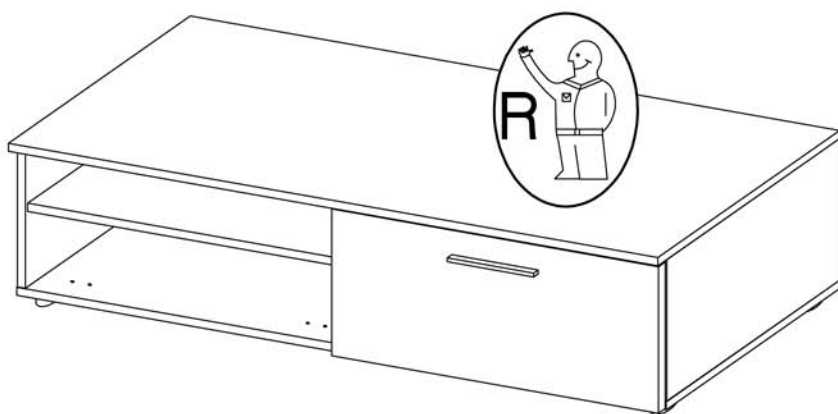
Coli	Typ	Ersatzteil Nummer	Dimension
4/4	533	JVE.503	268x265x15
		JVE.604	277x738x2,5
		JVE.605	277x738x2,5
		JVE.703	1496x294x15
	535	JVE.503	268x265x15
		JVE.606	1077x277x2,5
		JVE.704	1094x296x15
	537	JVE.105 x2	268x288x15
		JVE.503	268x265x15
		JVE.607	277x538x2,5
		JVE.608	277x538x2,5
		JVE.704	1094x296x15




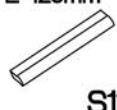















1

# JORMA

## Typ 312

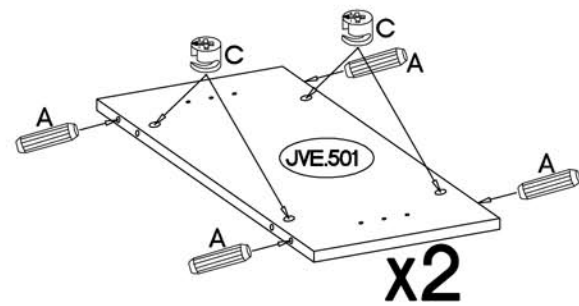
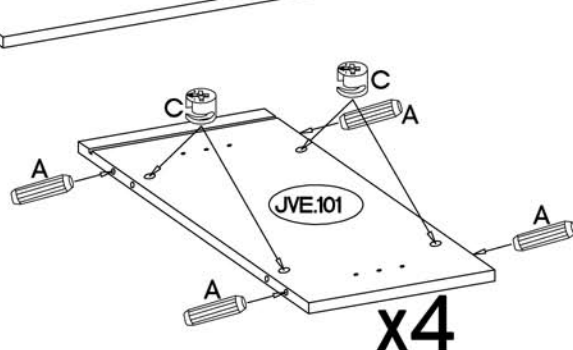
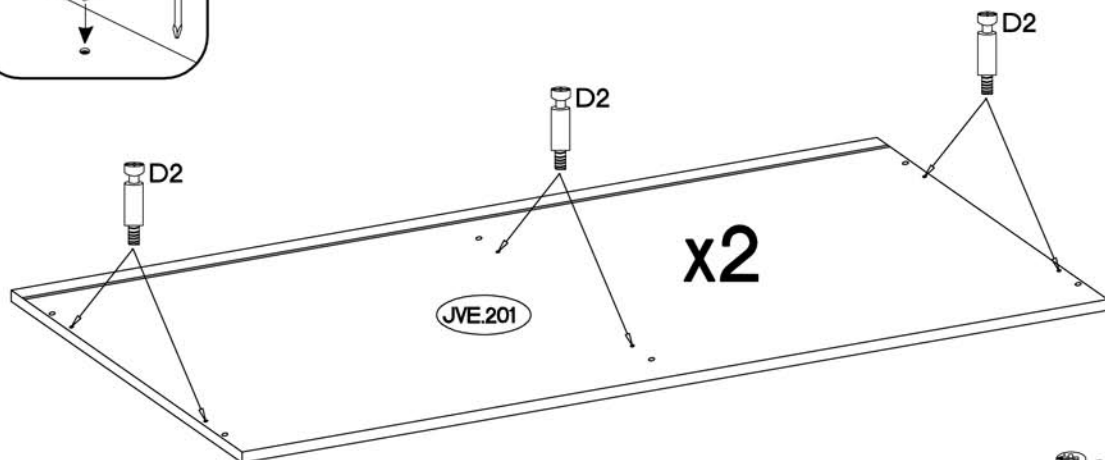
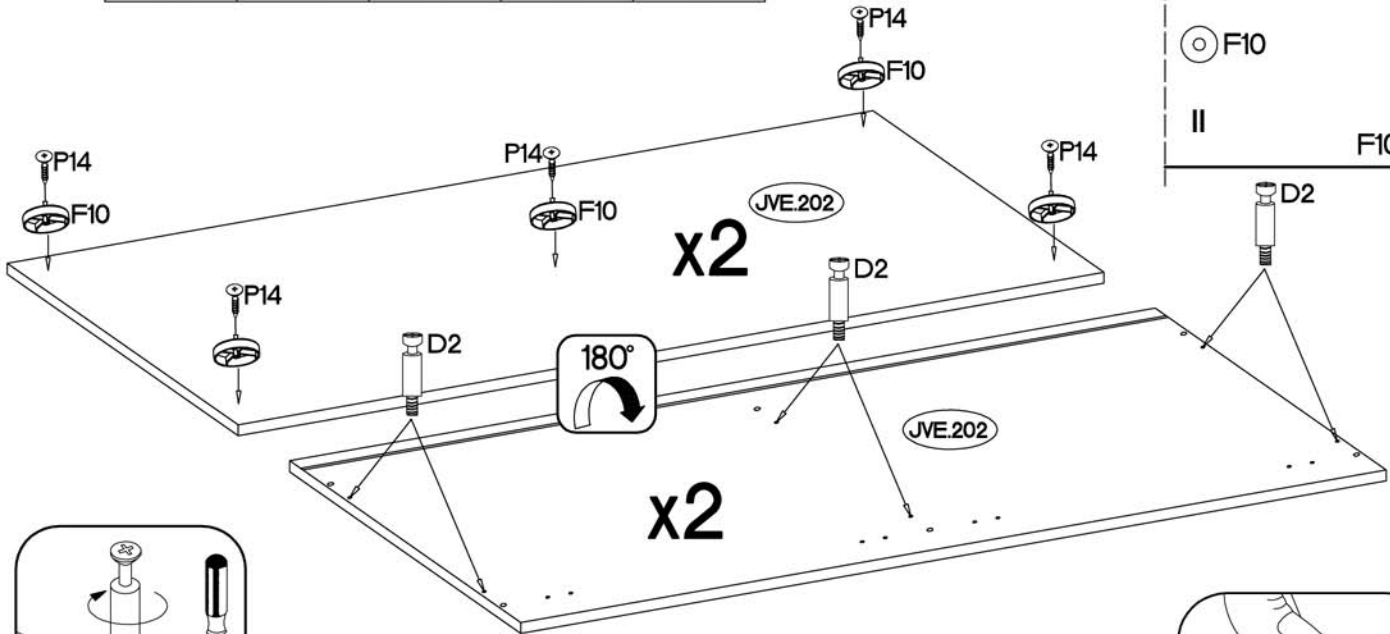
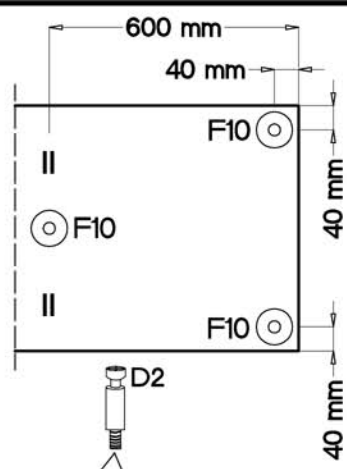


 G	 H	 P5	 S11	 R2	 E2	 J1			
4	4	8	2	4	8	8			
 C	 A	 D2	 P14	 F10	 P5	 K13	 L	 E	 P11
24	24	24	10	10	6	2	6	24	12



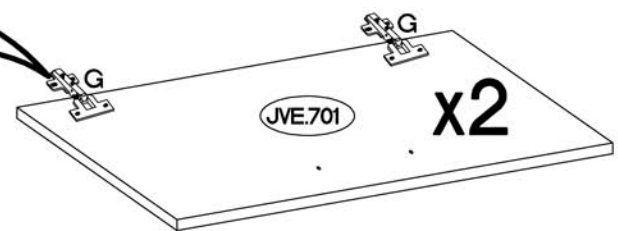
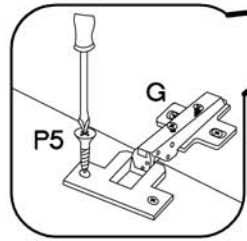
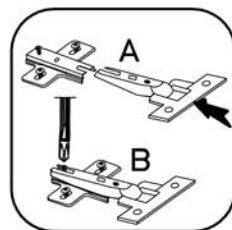
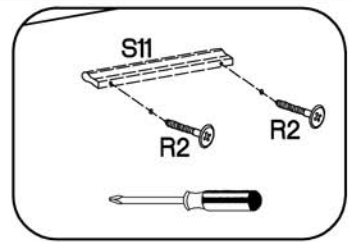
# 2

±15/12mm <b>C</b> 24	±8x30mm <b>A</b> 24	L=20mm <b>D2</b> 24	±4.0x25mm <b>P14</b> 10	<b>F10</b> 10
----------------------------	---------------------------	---------------------------	-------------------------------	------------------





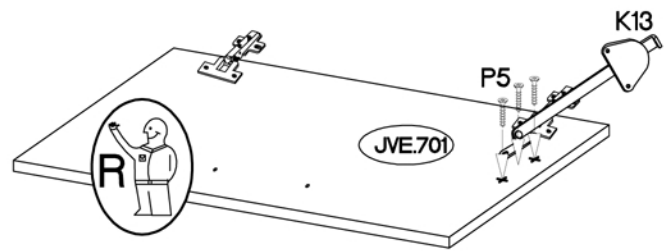
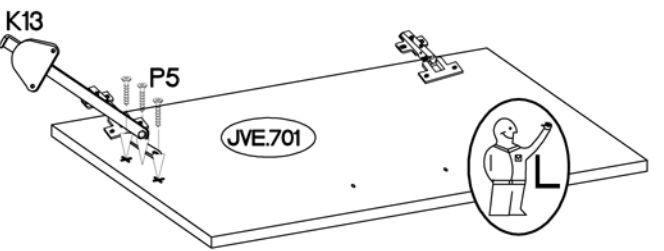
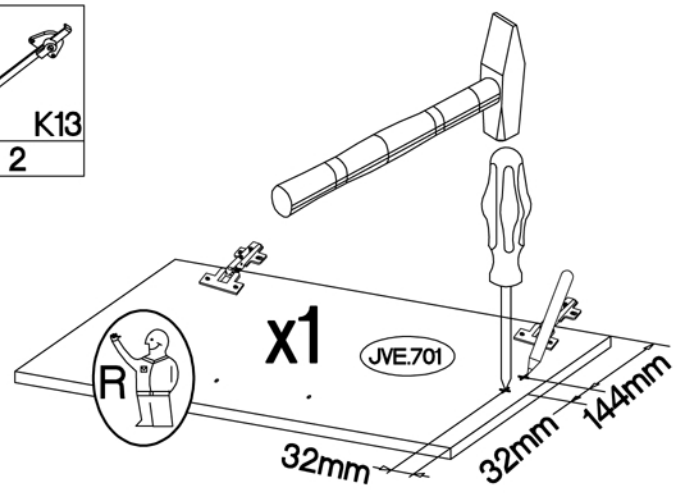
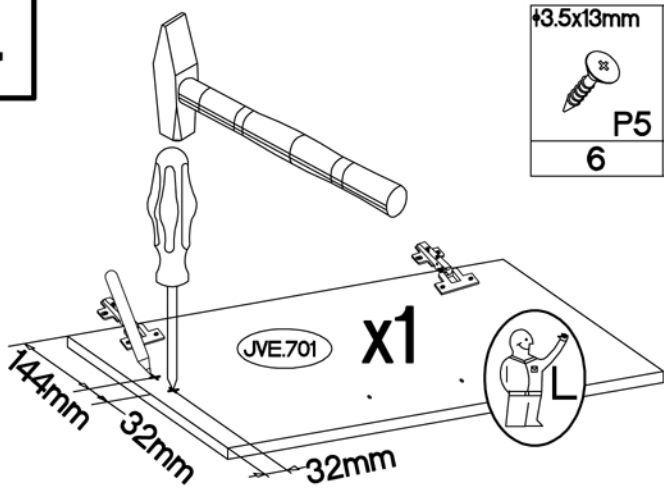
# 3

±35/0mm <b>G</b> 4	H=0 <b>H</b> 4	±3.5x13mm <b>P5</b> 8	L=128mm <b>S11</b> 2	±4.0x30mm <b>R2</b> 4
--------------------------	----------------------	-----------------------------	----------------------------	-----------------------------

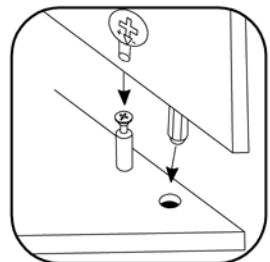
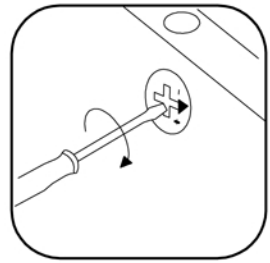
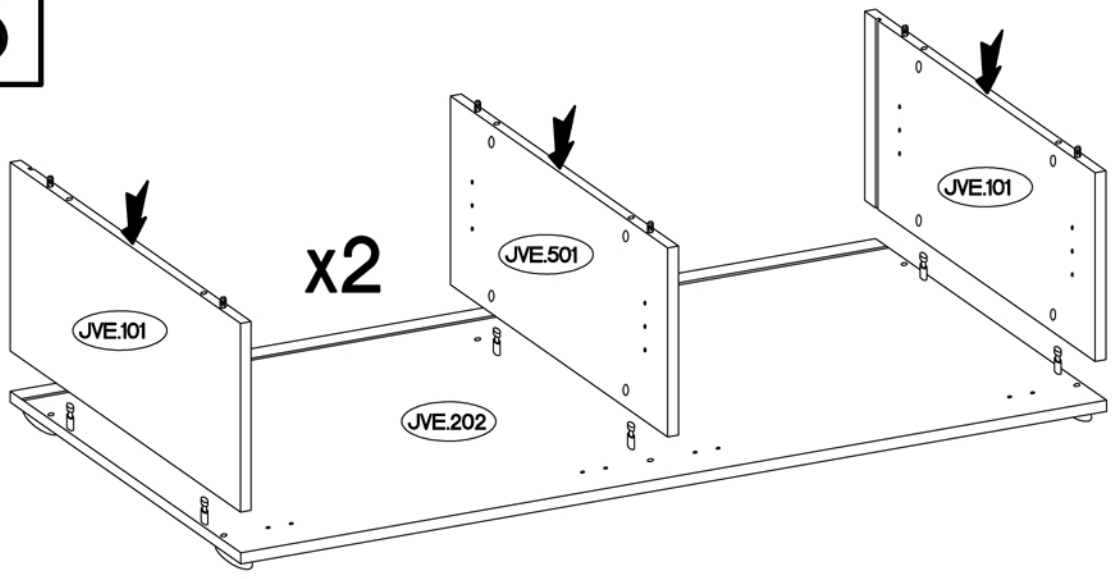


4

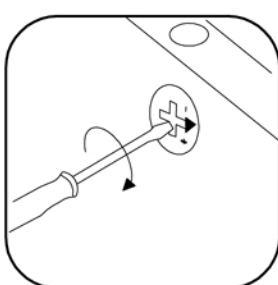
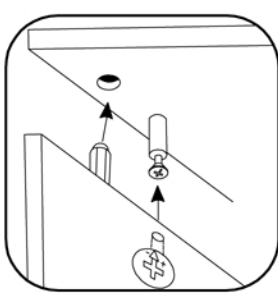
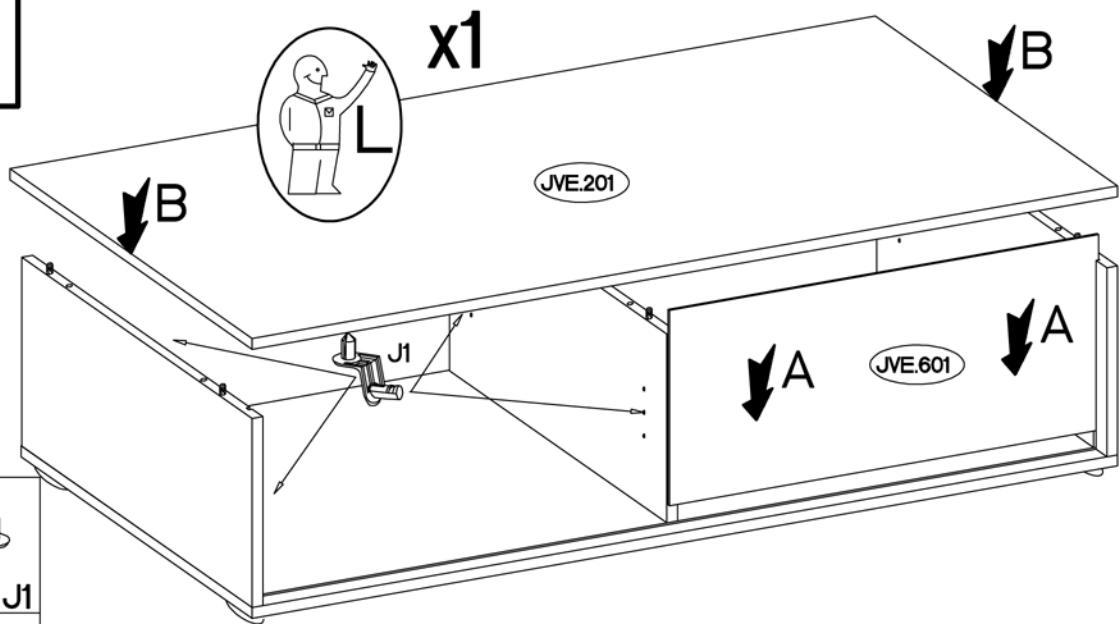
#3.5x13mm	
	
P5	K13
6	2



5



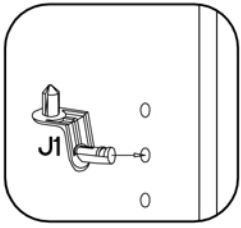
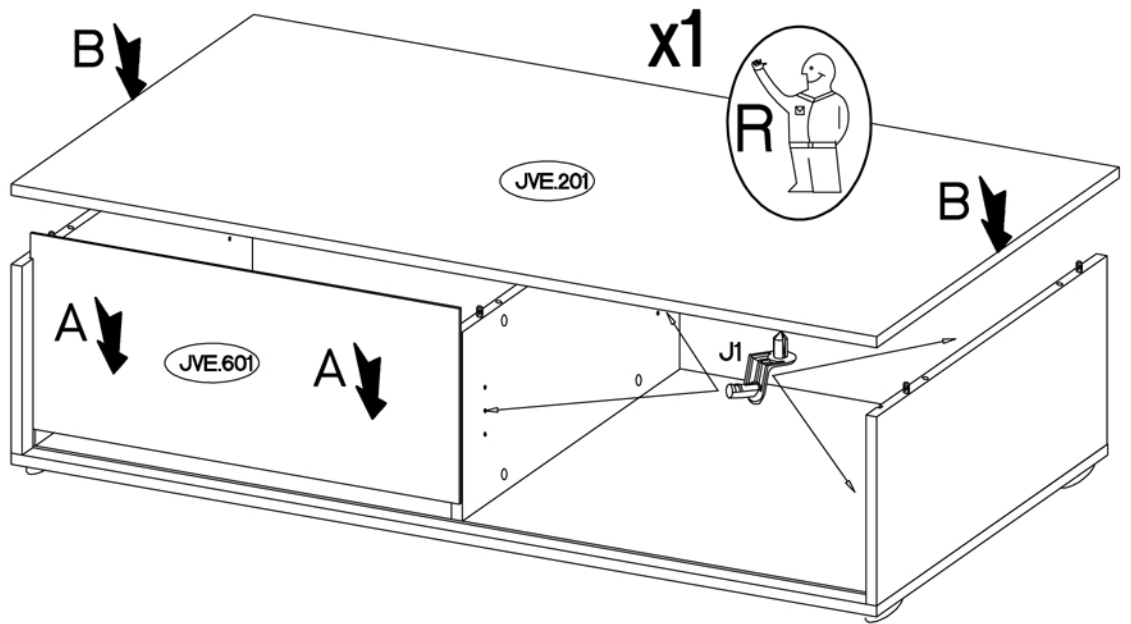
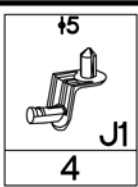
6



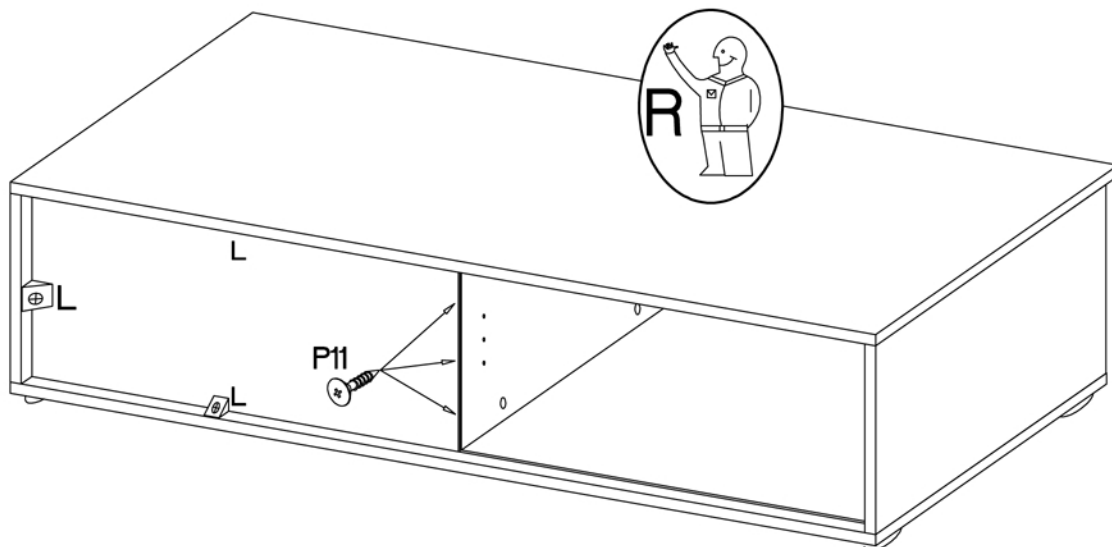
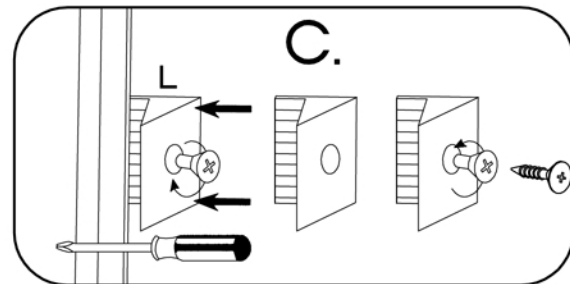
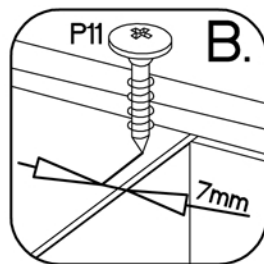
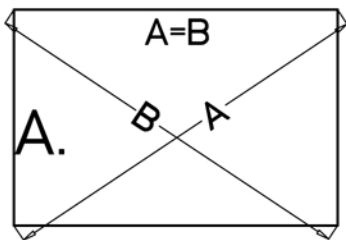
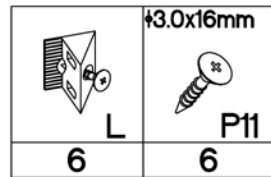
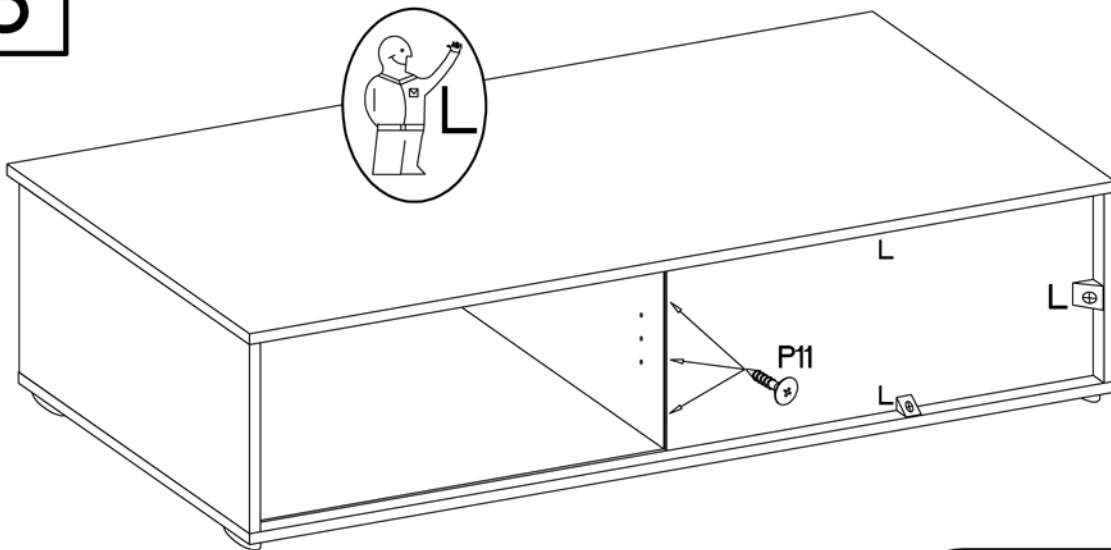
#5

J1
4

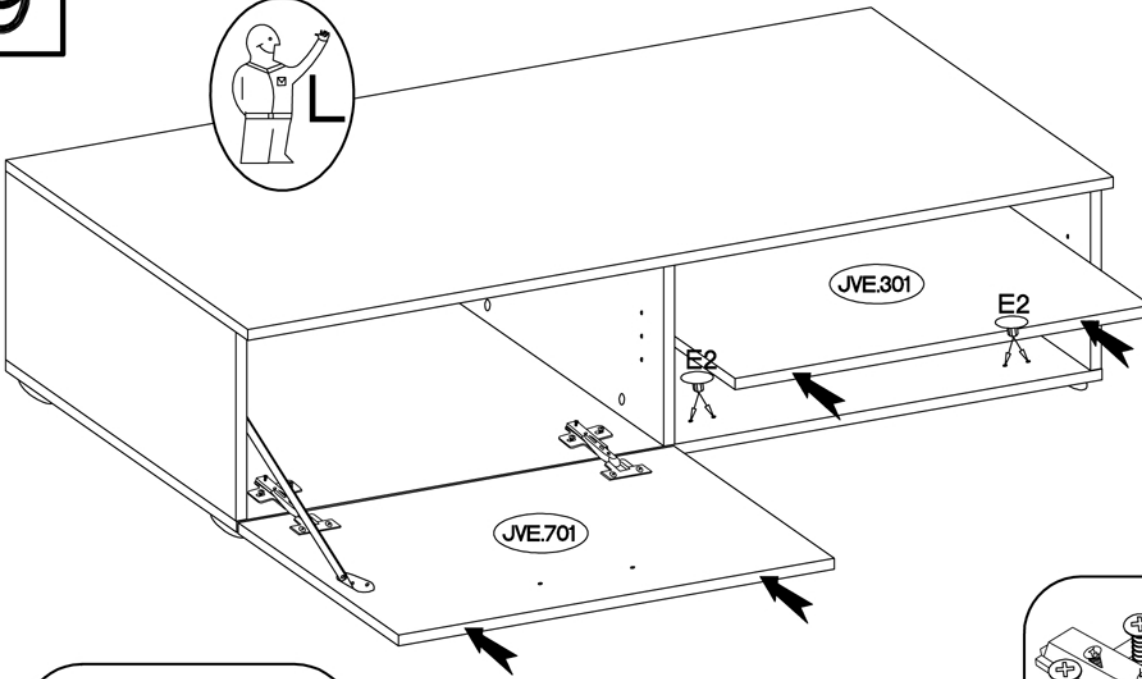
7



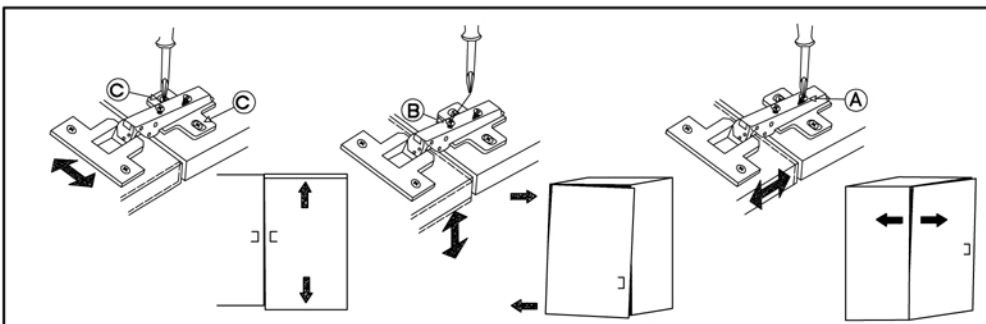
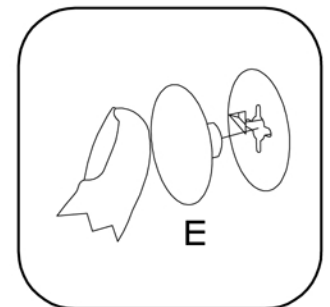
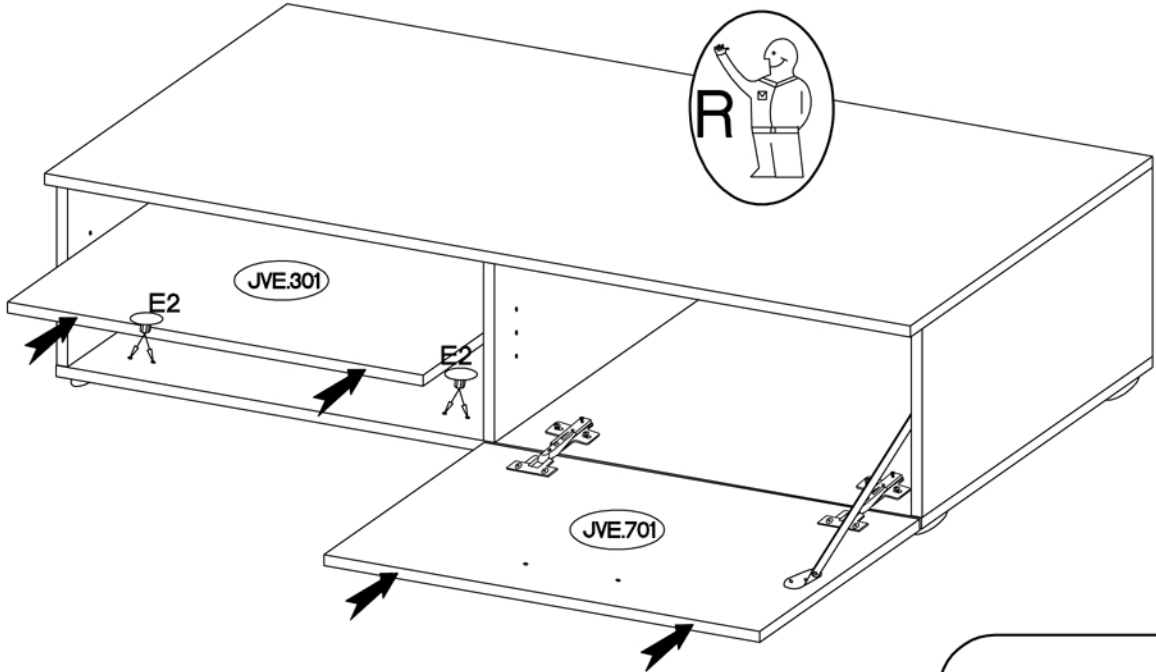
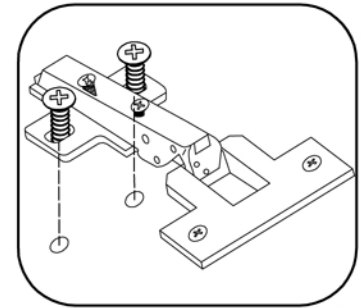
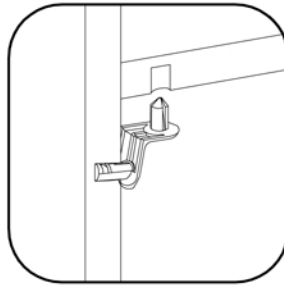
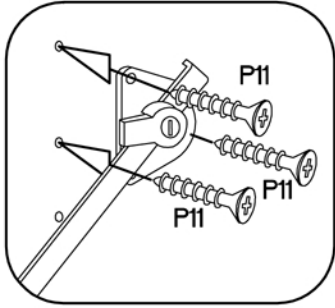
8



9

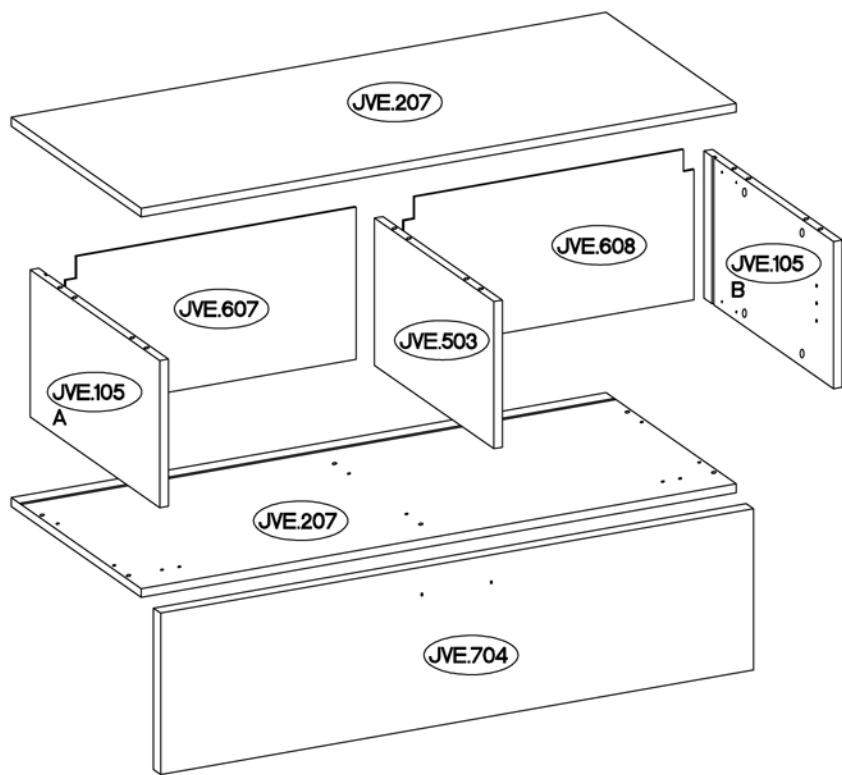
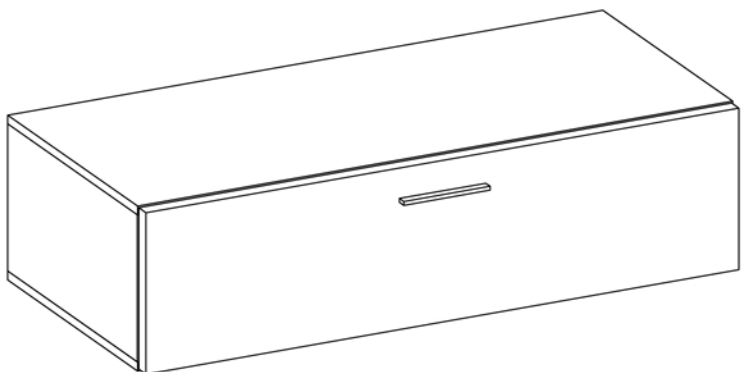



#5	#3.0x16mm
E2	P11
8	6
	E
	12








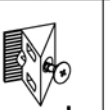
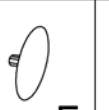
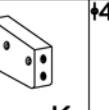

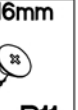





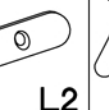
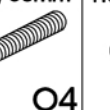

# JORMA

## Typ 537




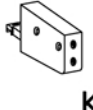



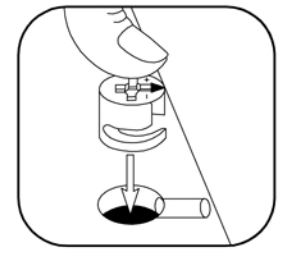
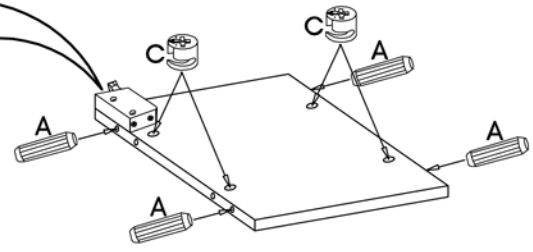
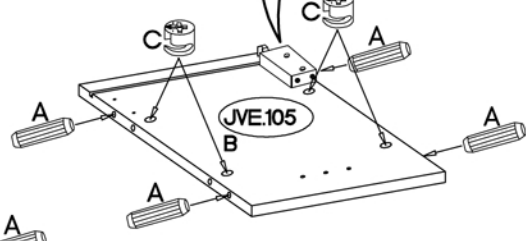
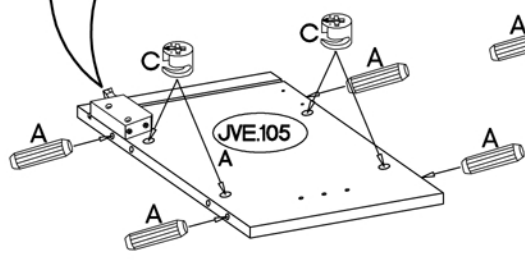
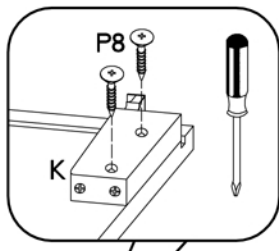
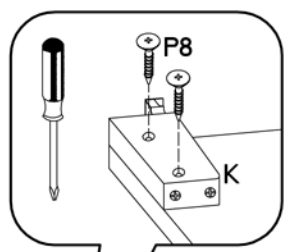
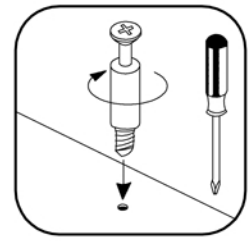
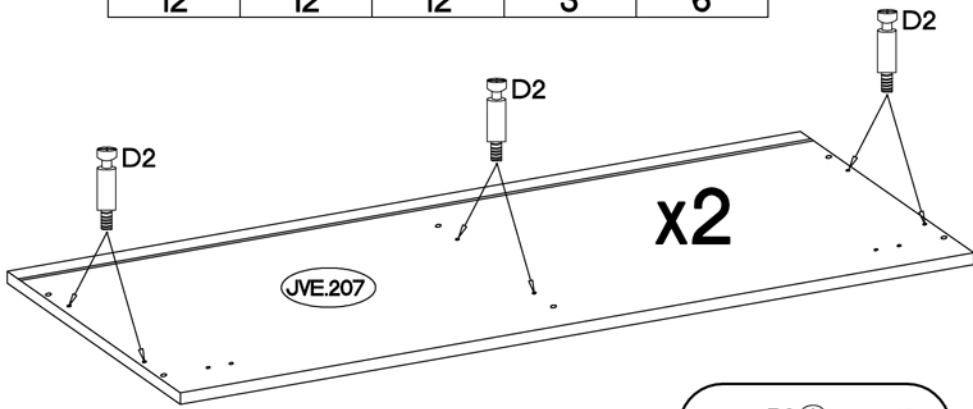
JVE.207 =  max. 5kg

 2B :

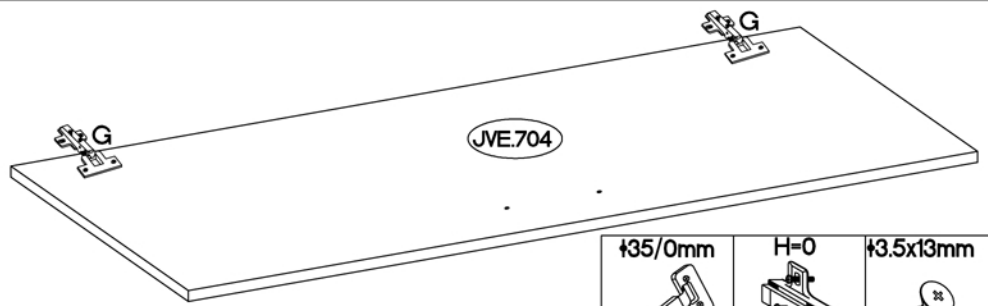
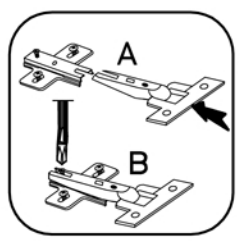
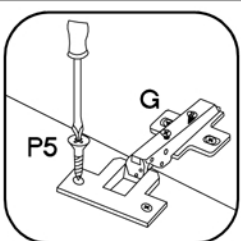
 ‡15/12mm C	 ‡8x30mm A	 L=20mm D2	 ‡3.5x13mm P5	 L=128mm K13	 ‡4.0x30mm L	 6,5/68mm E	 ‡10x50mm K	 ‡4.0x30mm P8	 ‡3.0x16mm P11
 ‡35/0mm G	 H=0 H	 ‡3.5x13mm P5	 L=128mm S11	 ‡4.0x30mm R2	 6,5/68mm L2	 ‡10x50mm O4	 ‡10x50mm O7		
2	2	4	1	2	3	3	3		




# 11

†15/12mm	†8x30mm	L=20mm		†4.0x30mm
				
C	A	D2	K	P8
12	12	12	3	6

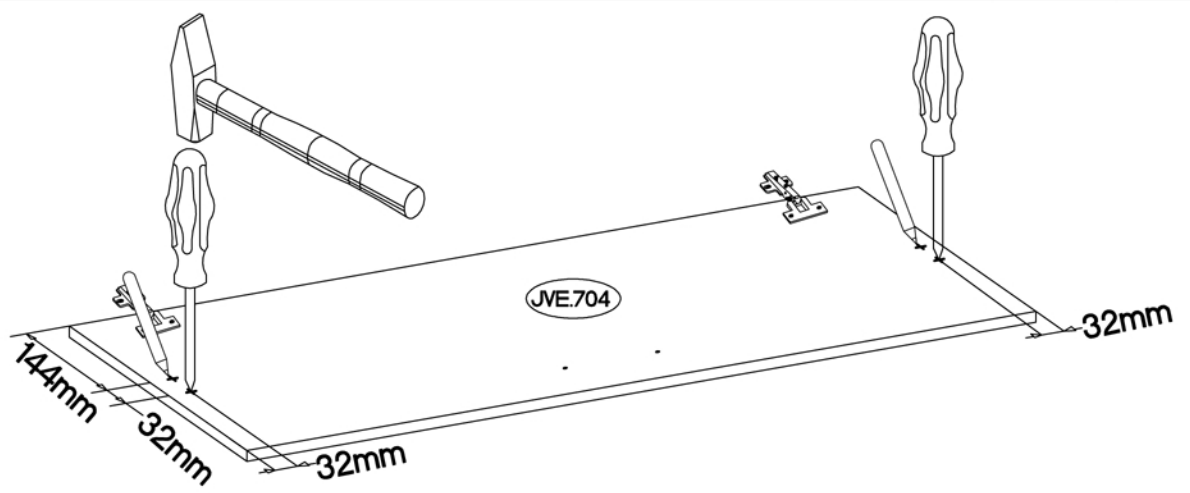


# 12

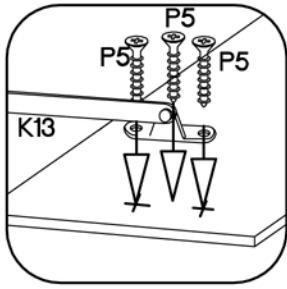





†35/0mm	H=0	†3.5x13mm
		
G	H	P5
2	2	4

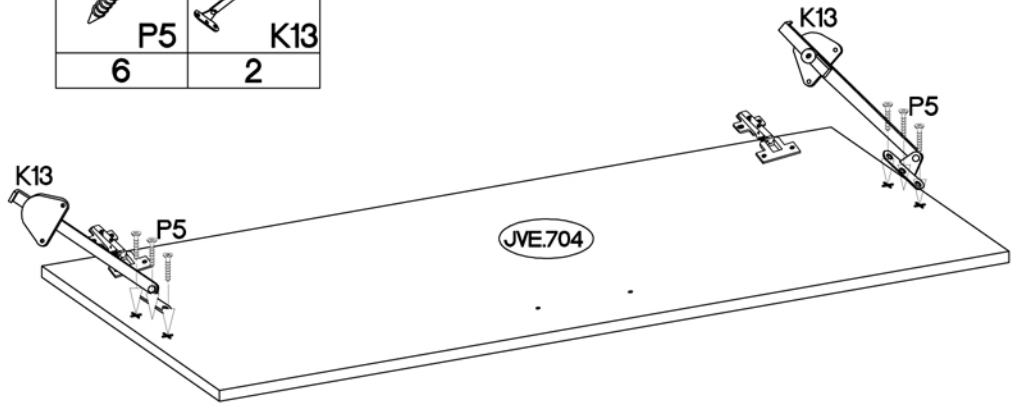
# 13



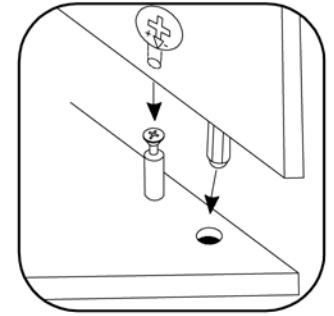
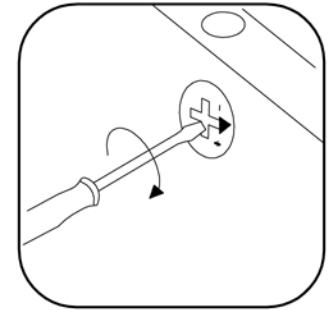
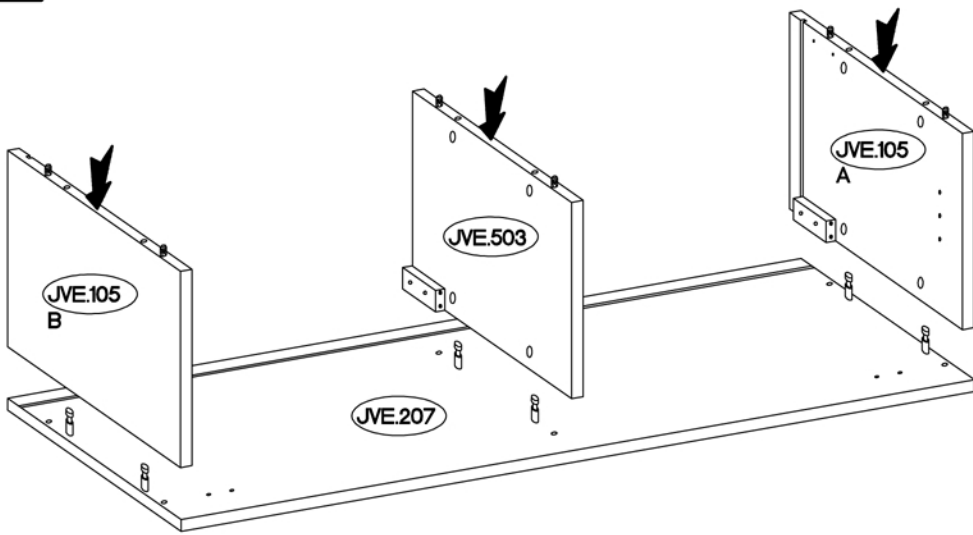




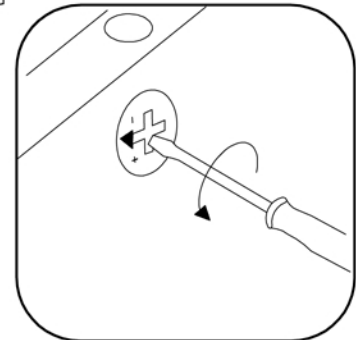
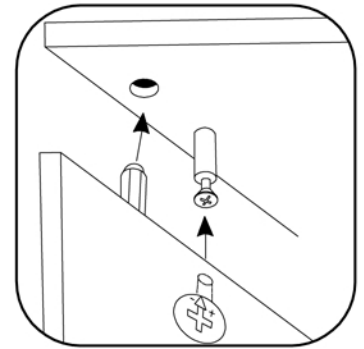
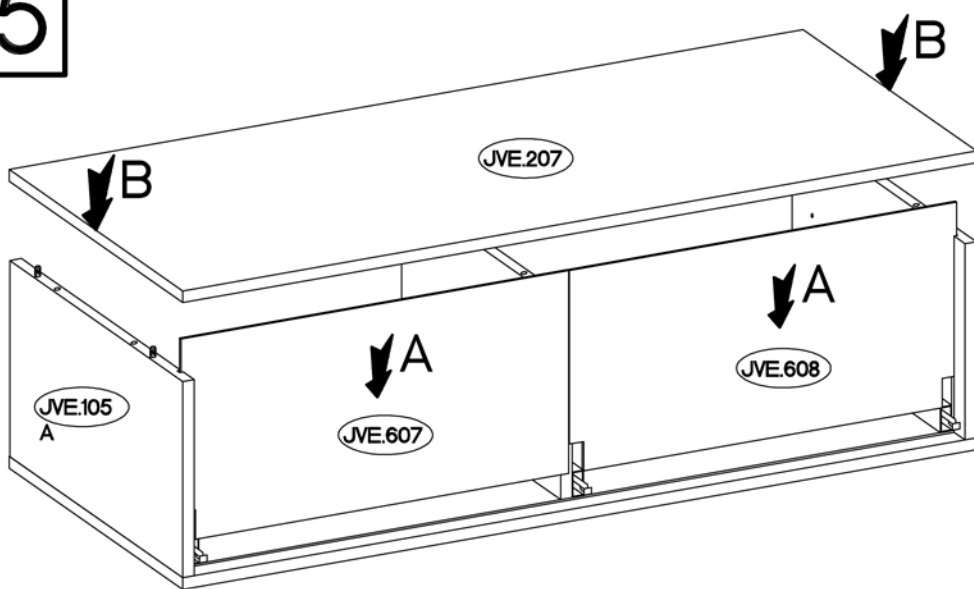
+3.5x13mm	
	
P5	K13
6	2



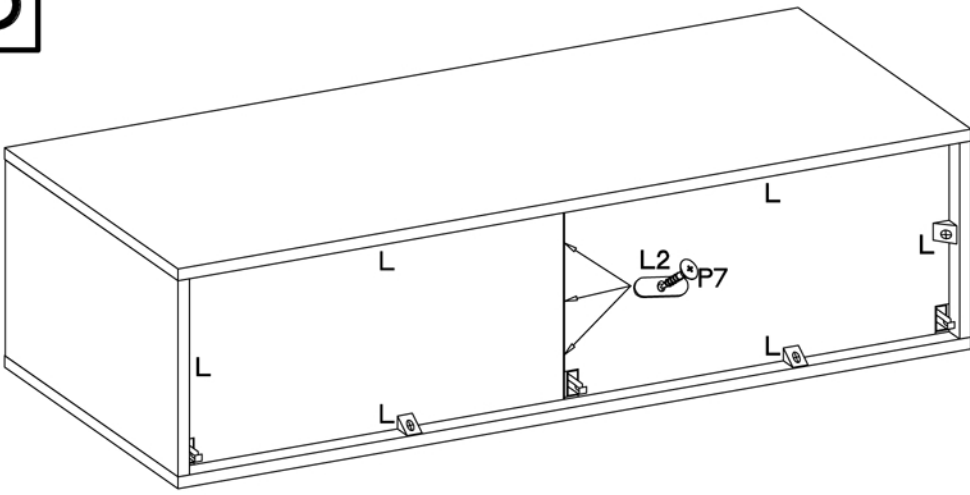
14



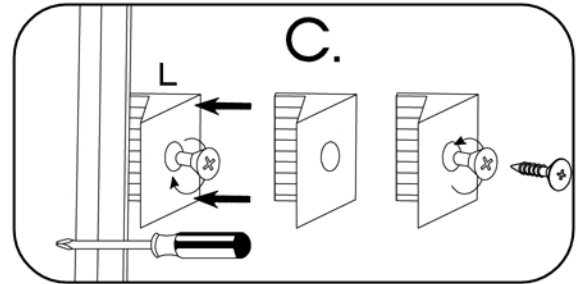
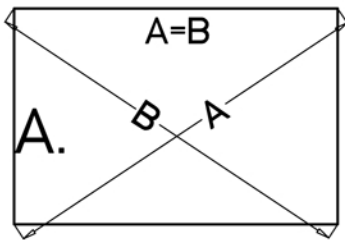
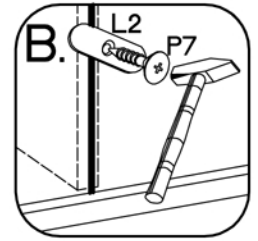
15



# 16

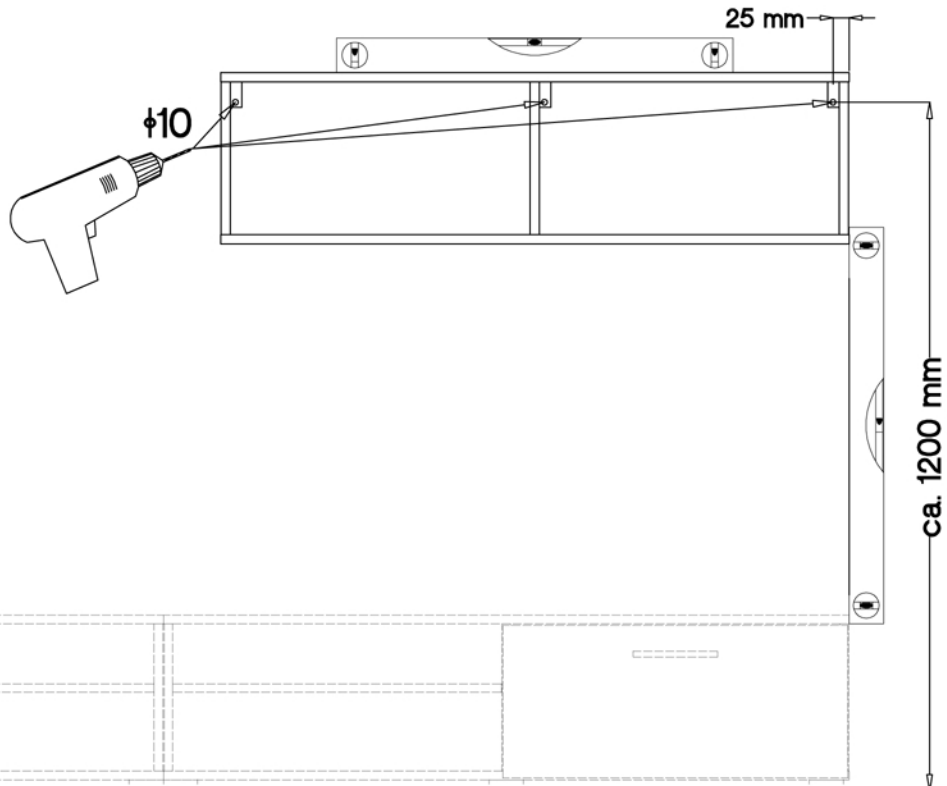
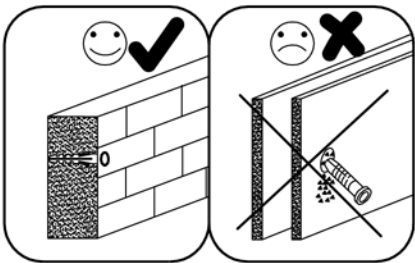


$\phi 3.0 \times 16 \text{mm}$			
	P11	L2	L
	3	3	6



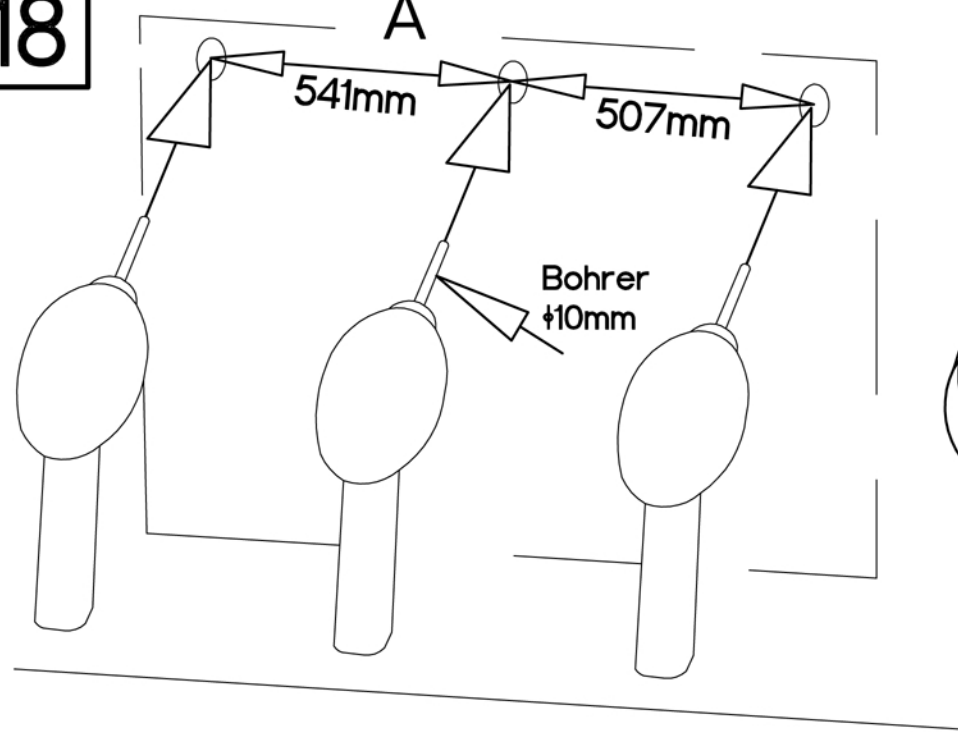
# 17

$6,5/68 \text{mm}$	$\phi 10 \times 50 \text{mm}$
O4	O7
3	3

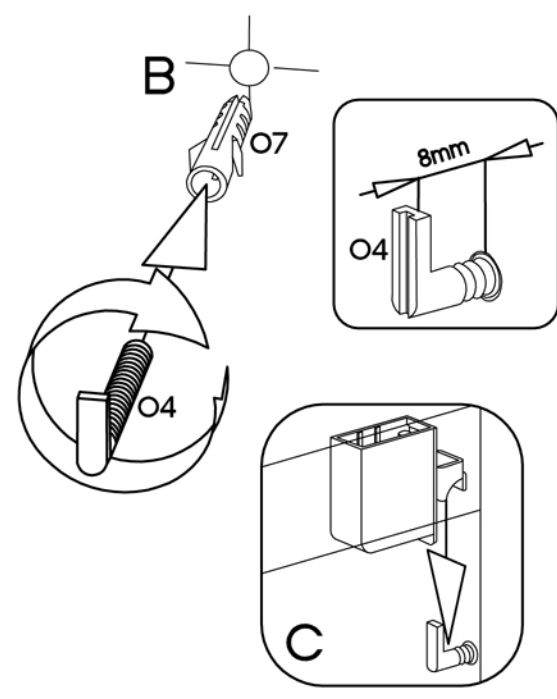


18

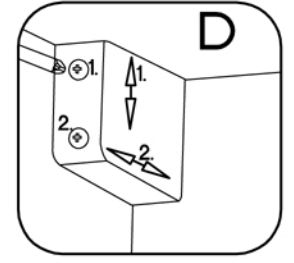
A



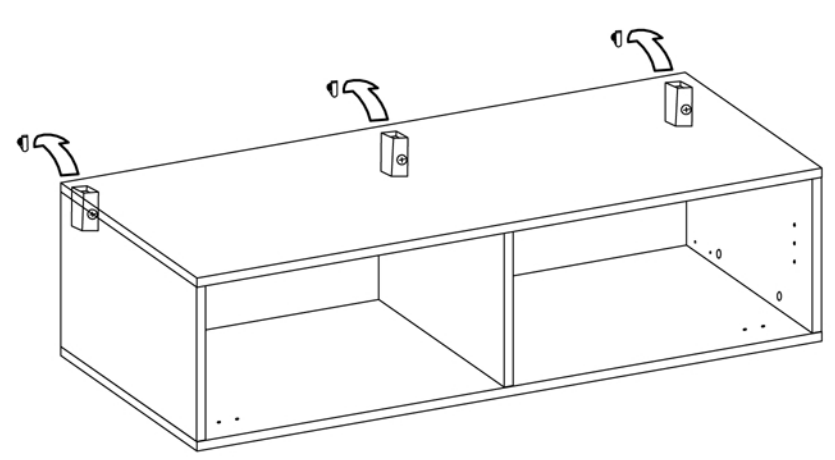
B



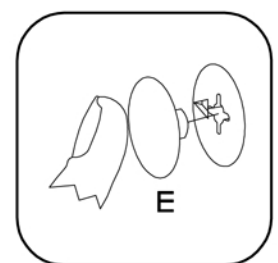
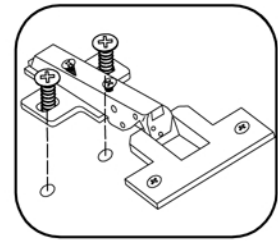
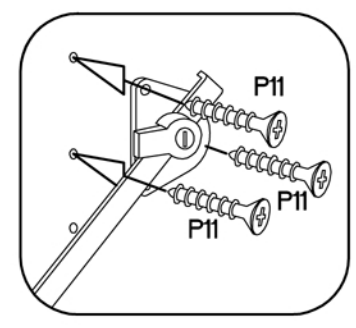
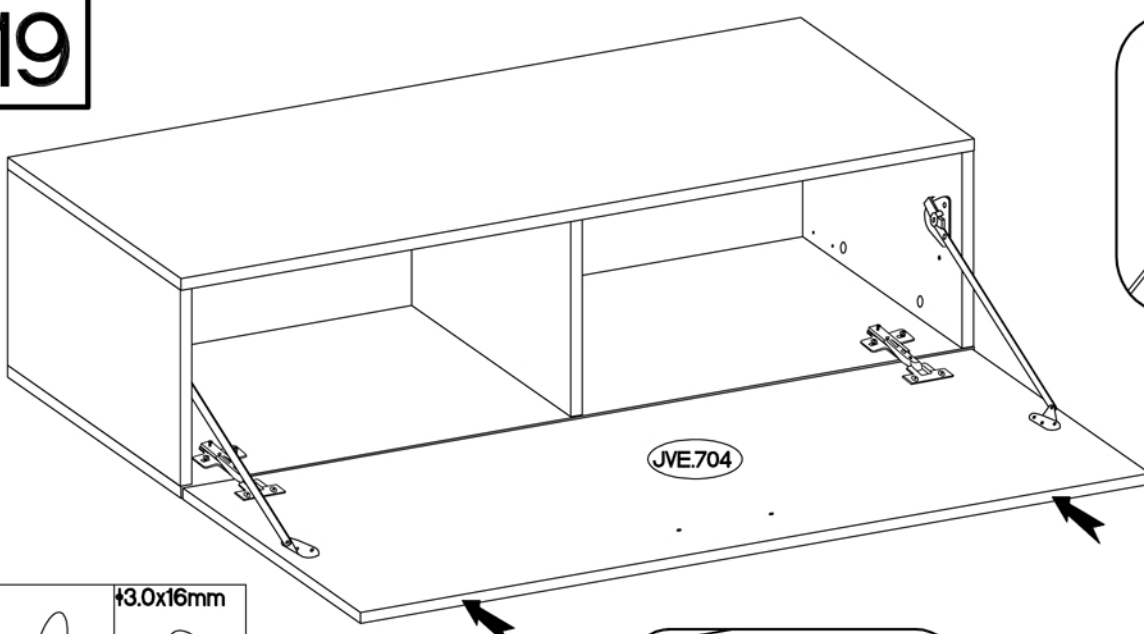
C



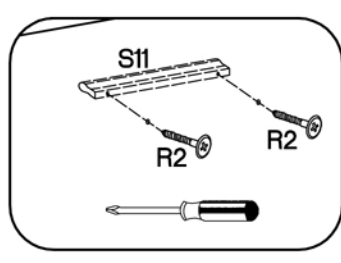
D



19

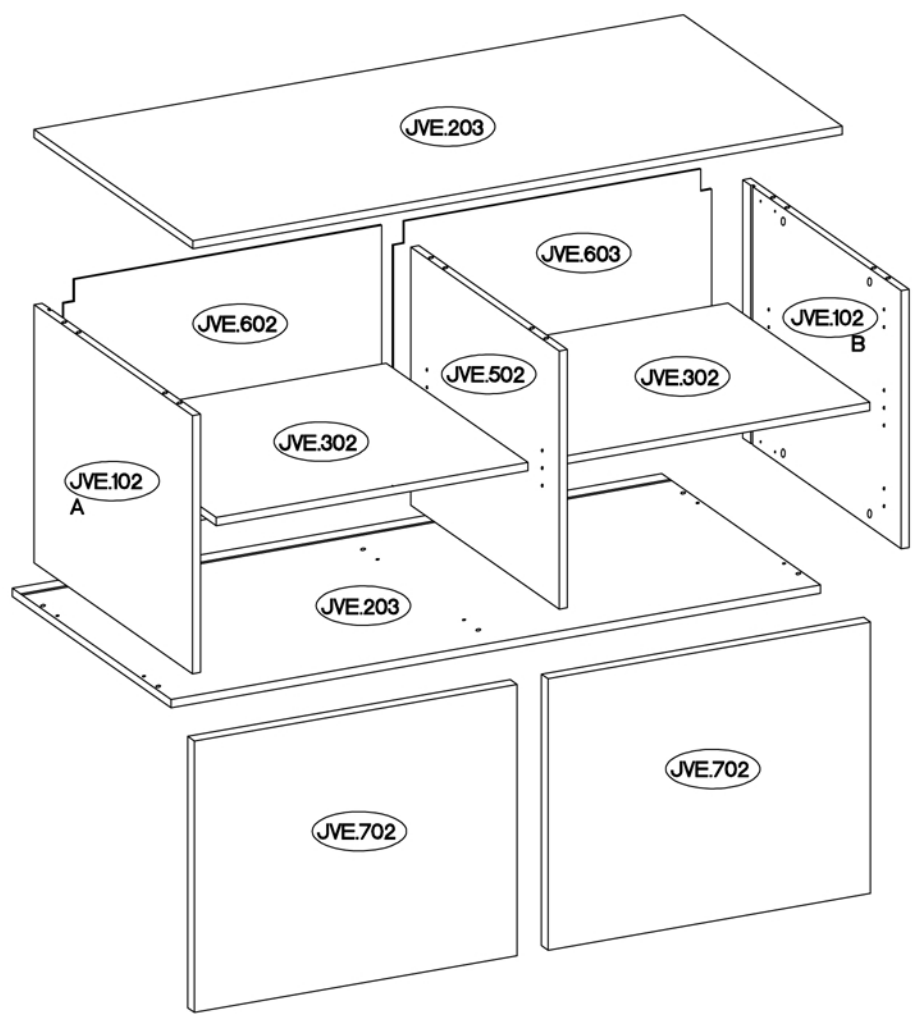
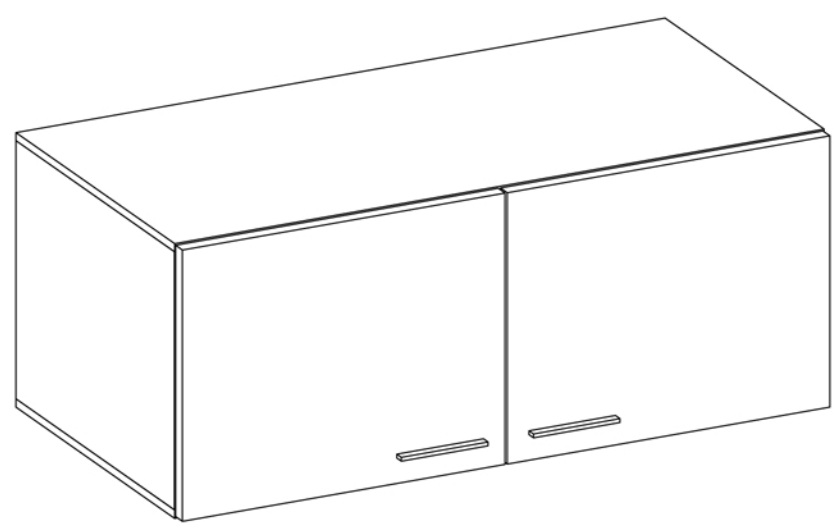


	$\varnothing 3.0 \times 16\text{mm}$
E	P11
12	6
L=128mm	$\varnothing 4.0 \times 30\text{mm}$
S11	R2
1	2



# JORMA




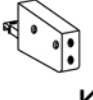

## Typ 531

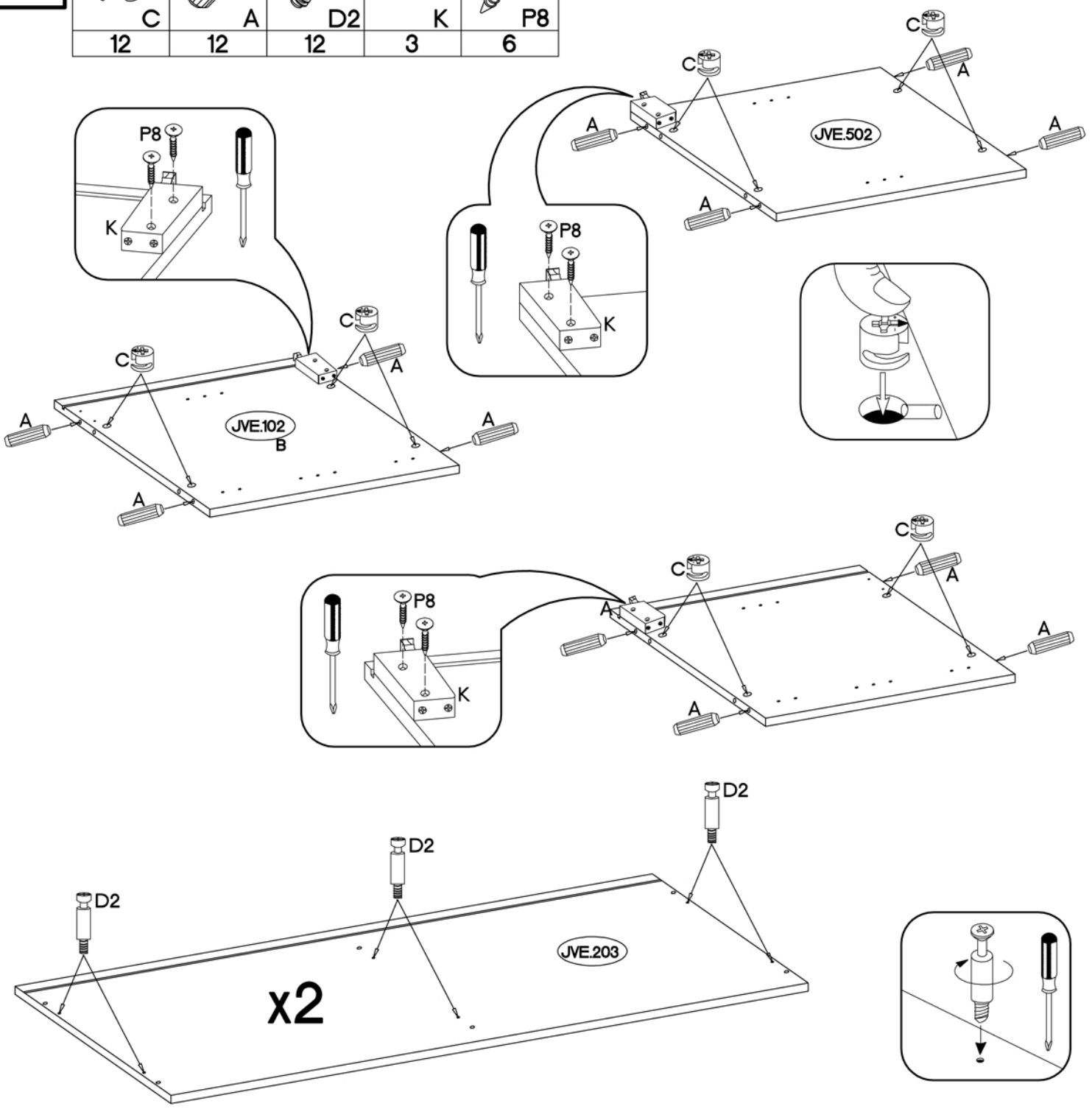





JVE.302 = max. 5kg

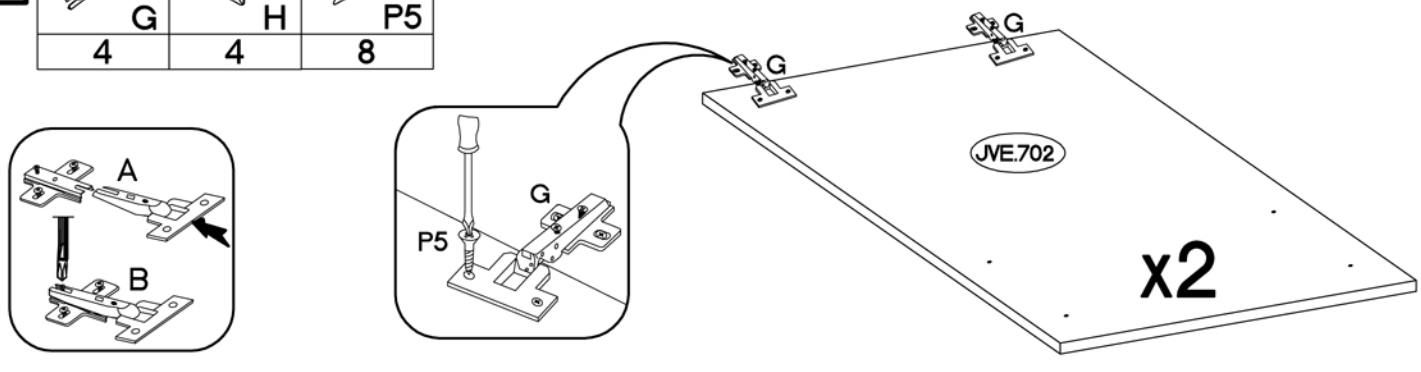
3B :

$\pm 15/12\text{mm}$ C	$\pm 8 \times 30\text{mm}$ A	L=20mm D2	L-shaped bracket K	$\pm 4.0 \times 30\text{mm}$ P8	$\pm 3.0 \times 20\text{mm}$ J3	$\pm 4.0 \times 30\text{mm}$ S11	L-shaped bracket L	6,5/68mm E	$\pm 10 \times 50\text{mm}$ E2
12	12	12	3	6	8	2	6	12	4
$\pm 35/0\text{mm}$ G	H=0 H	$\pm 3.5 \times 13\text{mm}$ P5	$\pm 3.0 \times 20\text{mm}$ P7	$\pm 4.0 \times 30\text{mm}$ R2	L-shaped bracket L2	6,5/68mm O4	$\pm 10 \times 50\text{mm}$ O7		
4	4	8	4	4	4	3	3		

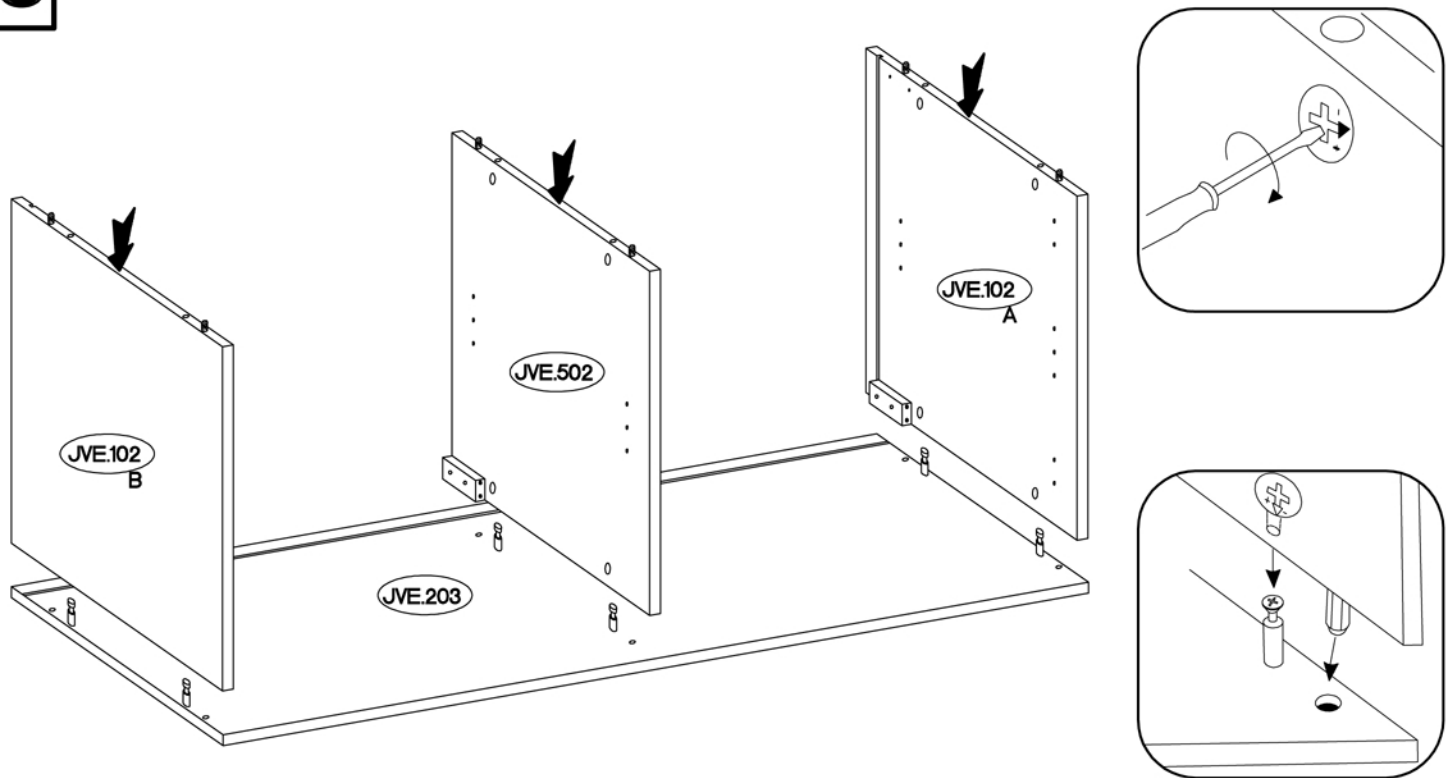
±15/12mm	±8x30mm	L=20mm		±4.0x30mm
				
C	A	D2	K	P8
12	12	12	3	6



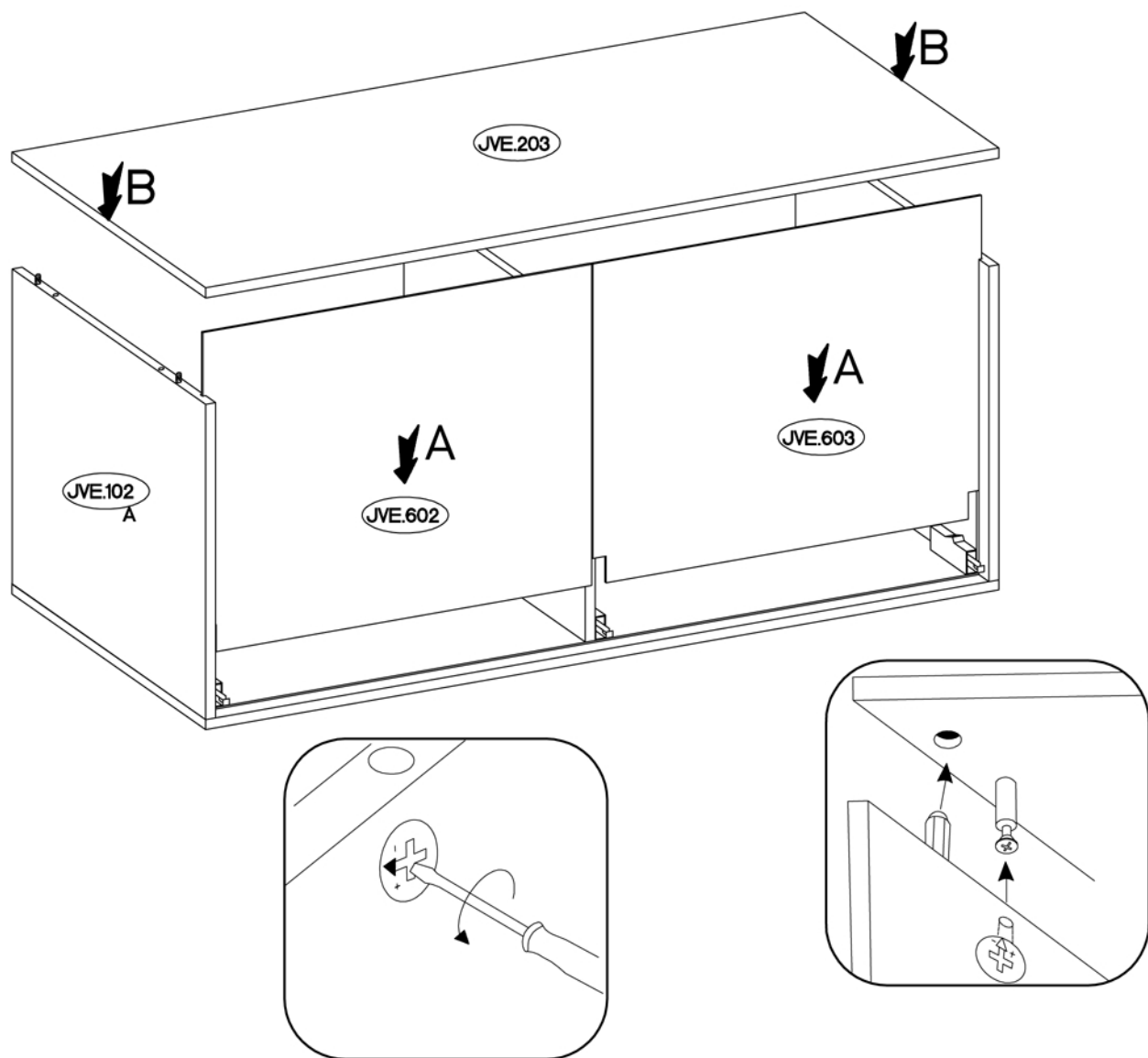
±35/0mm	H=0	±3.5x13mm
		
G	H	P5
4	4	8



23






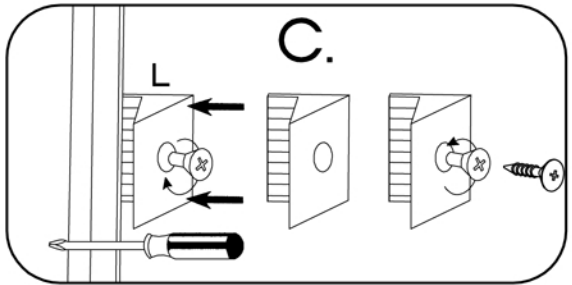
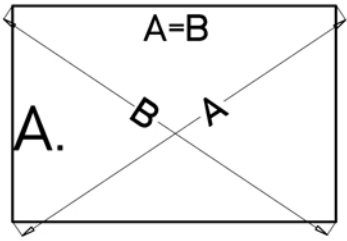
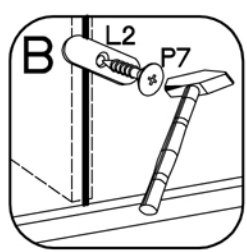
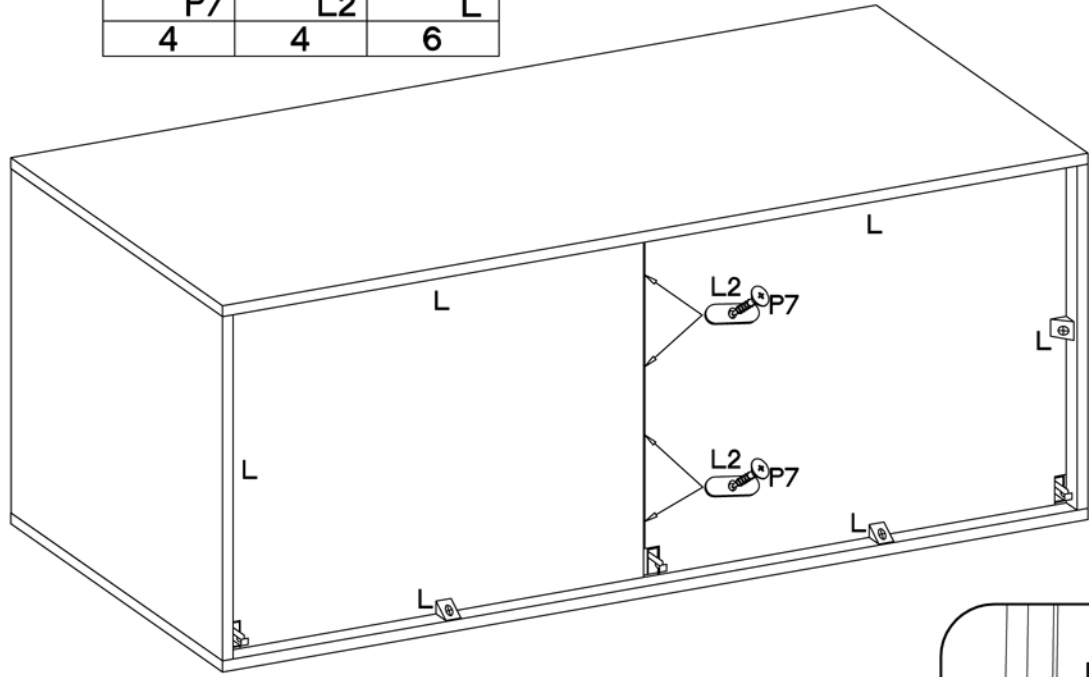
24



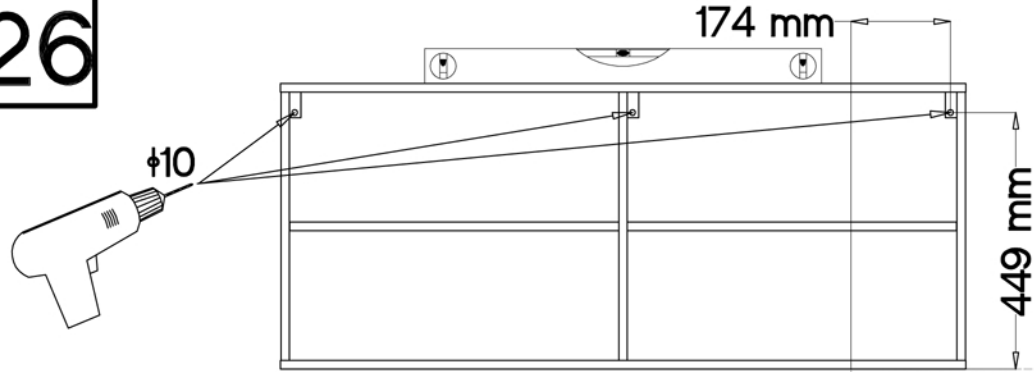




# 25

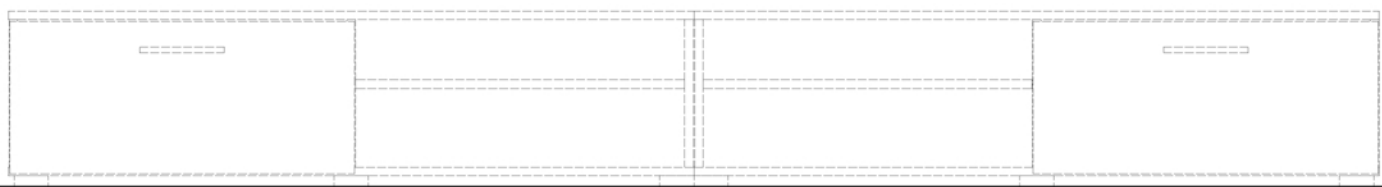
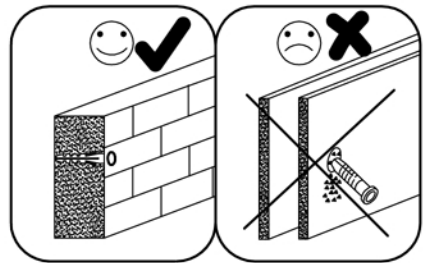
 P7 4	 L2 4	 L 6
---	---	--

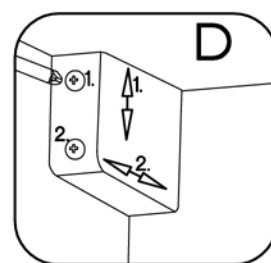
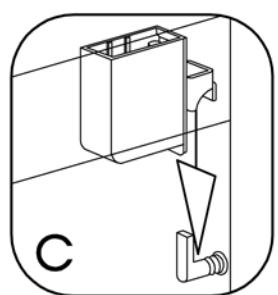
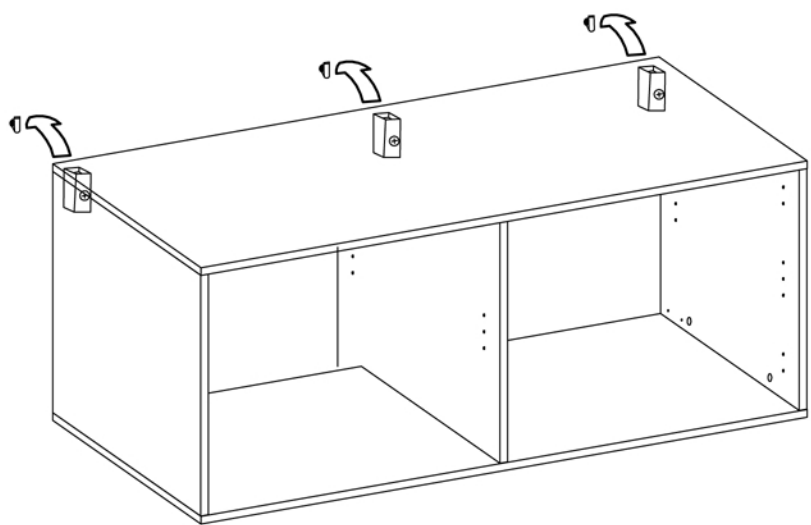
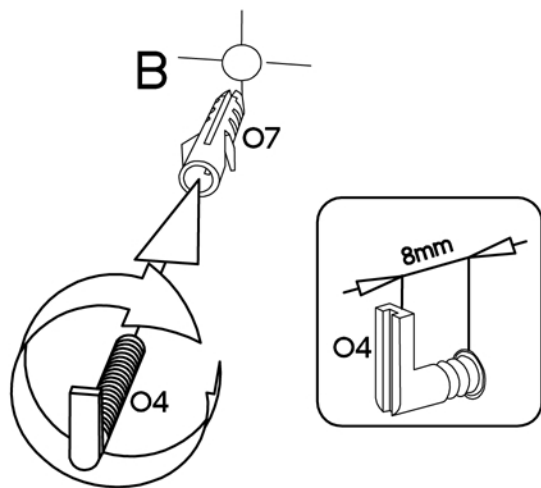
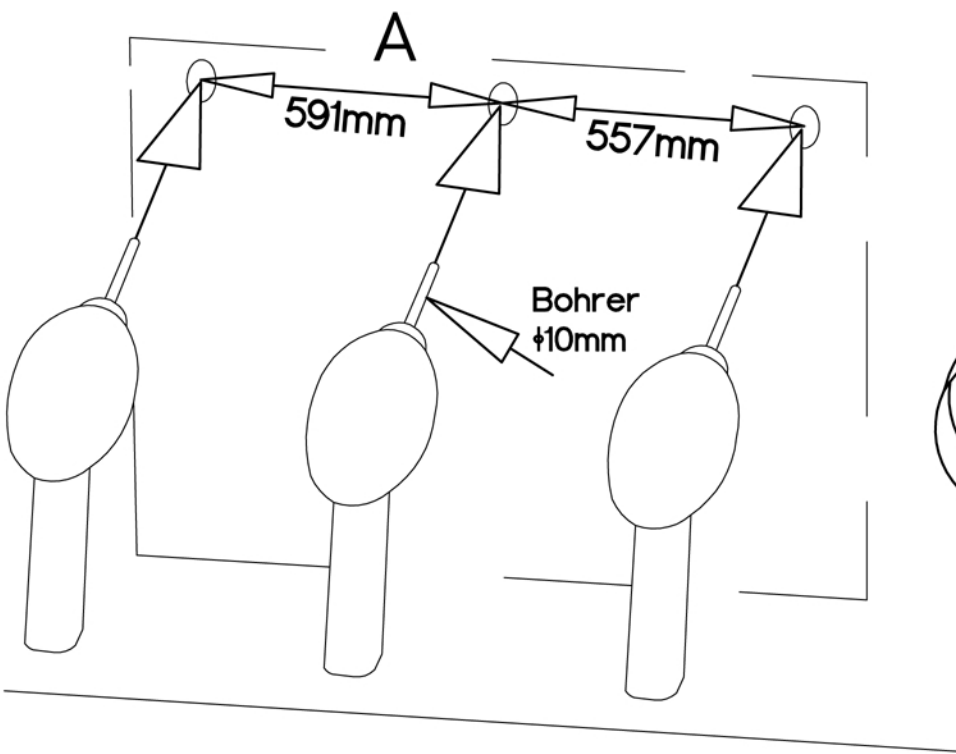


# 26

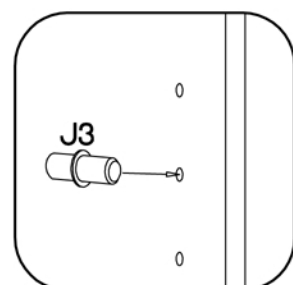
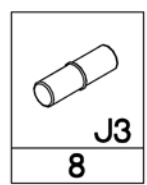
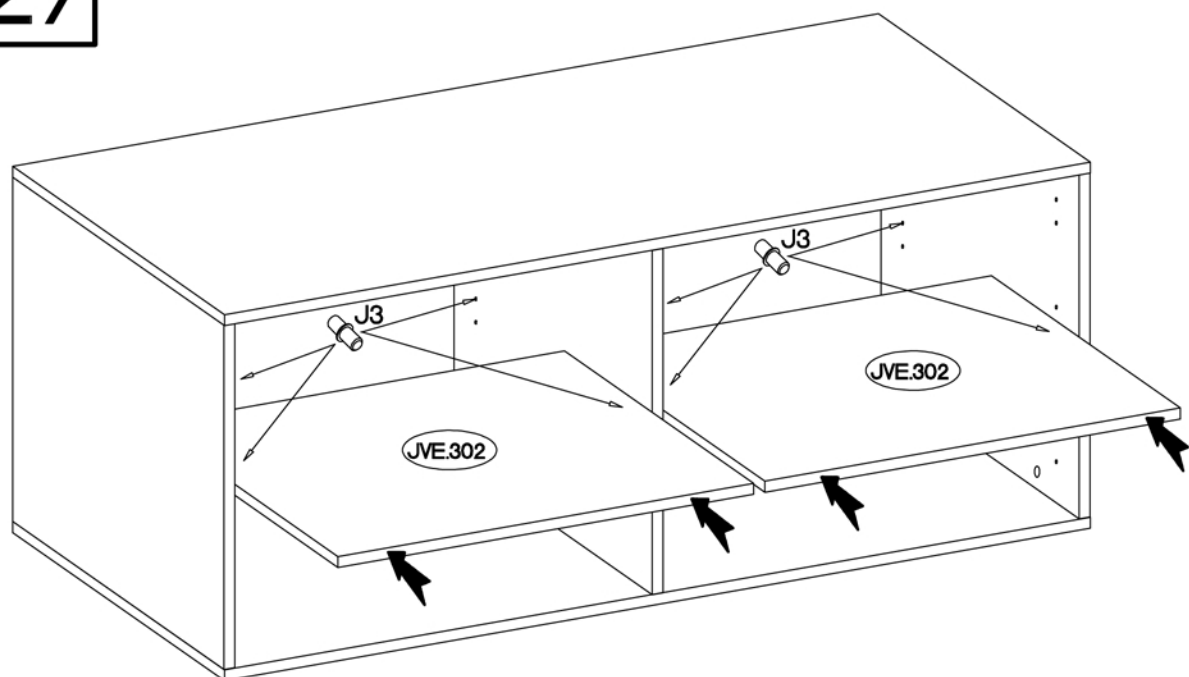


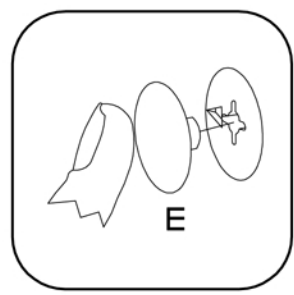
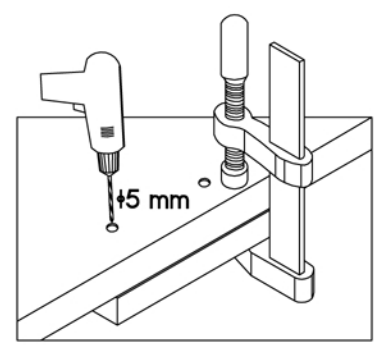
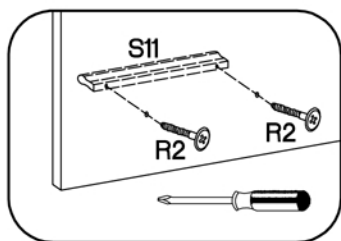
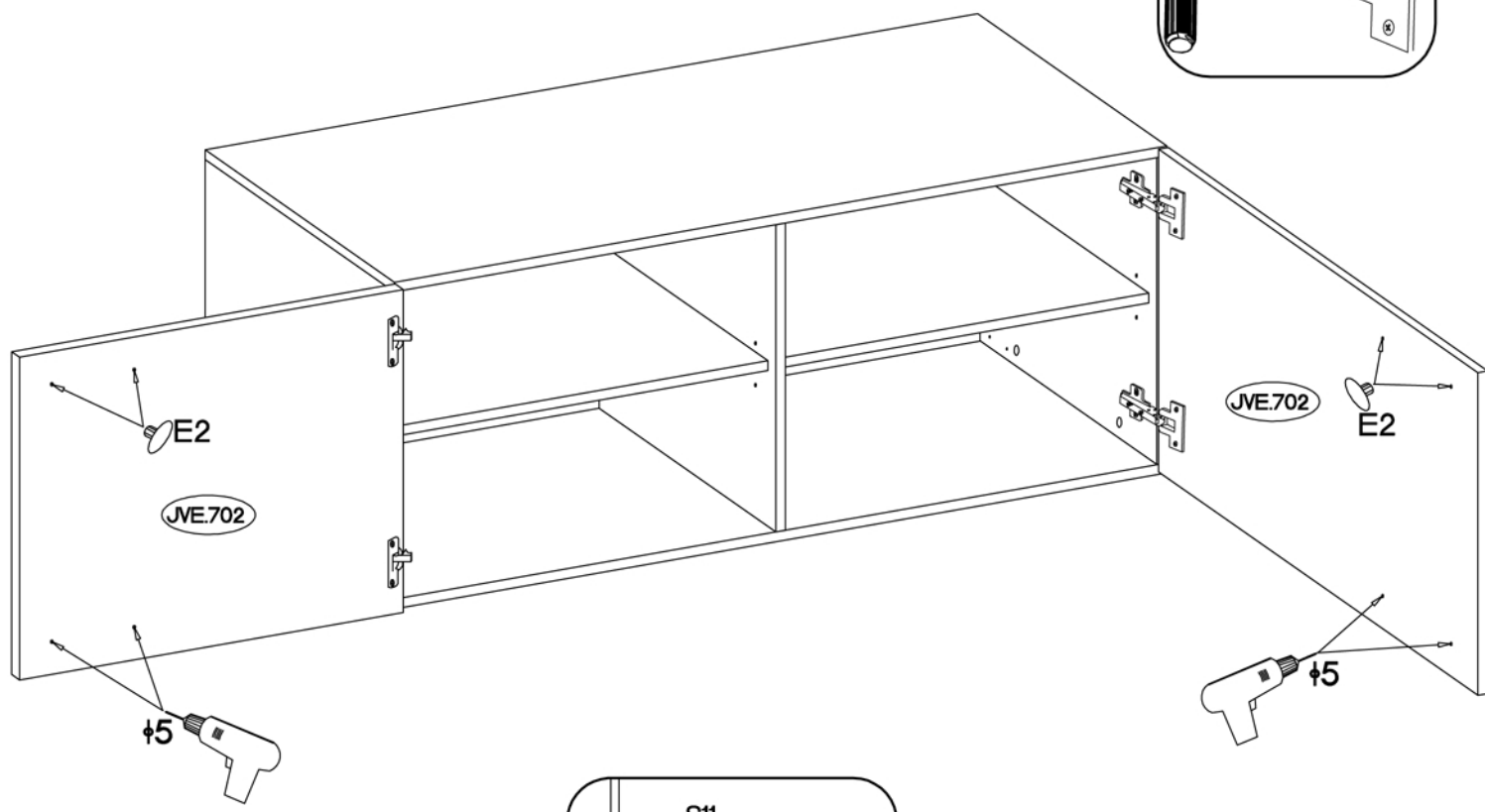
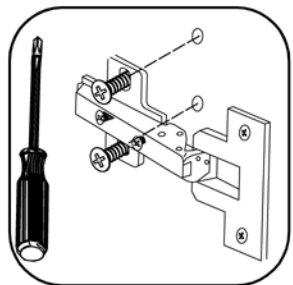
 6,5/68mm O4 3	 10x50mm O7 3
--	---



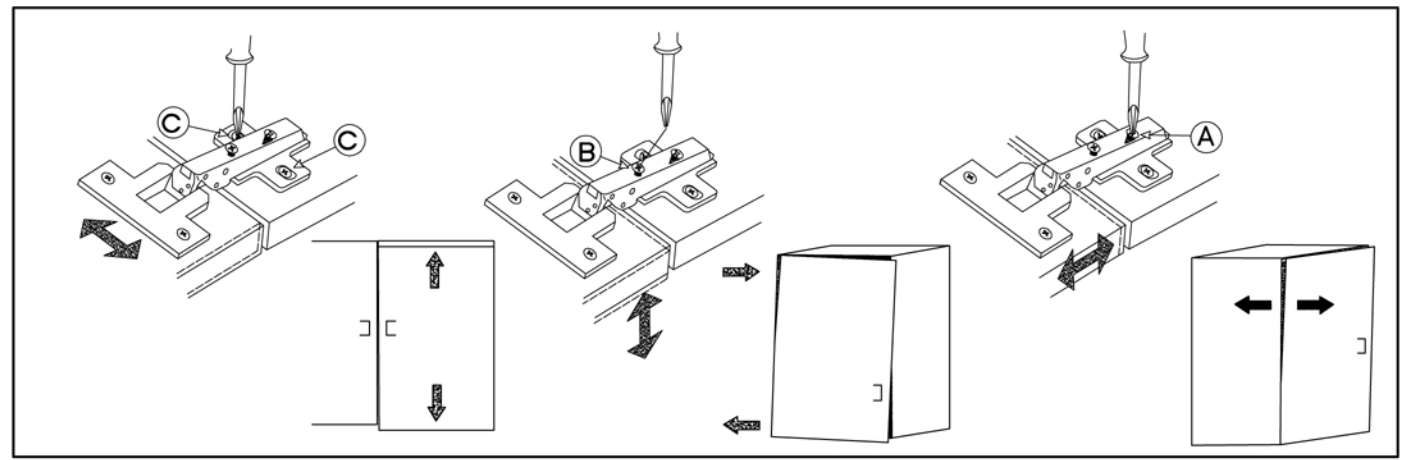


27



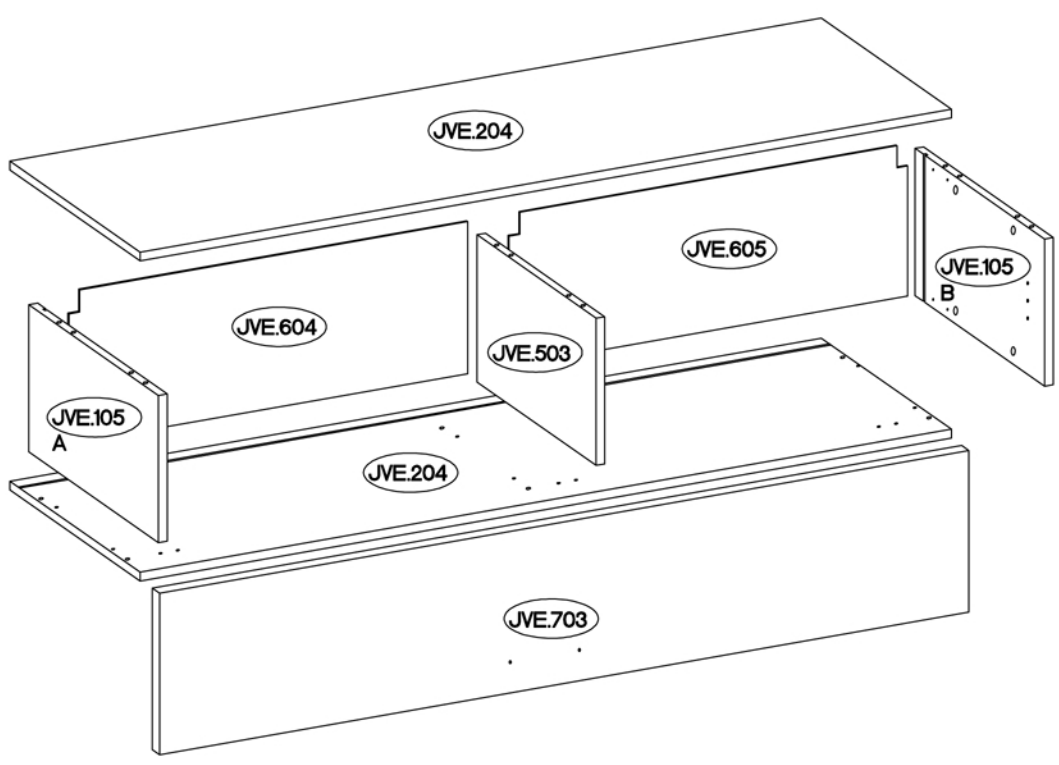
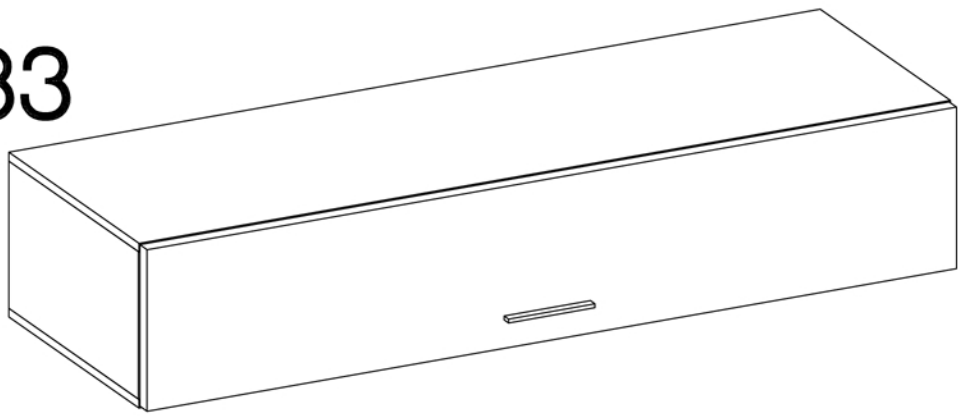



$\pm 4.0 \times 30 \text{mm}$	$\pm 5$		L=128mm
R2	E2	E	S11
4	4	12	2




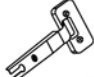


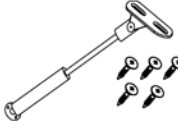








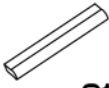

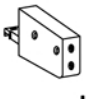


# JORMA




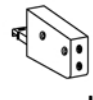

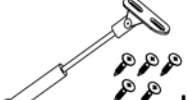
## Typ 533

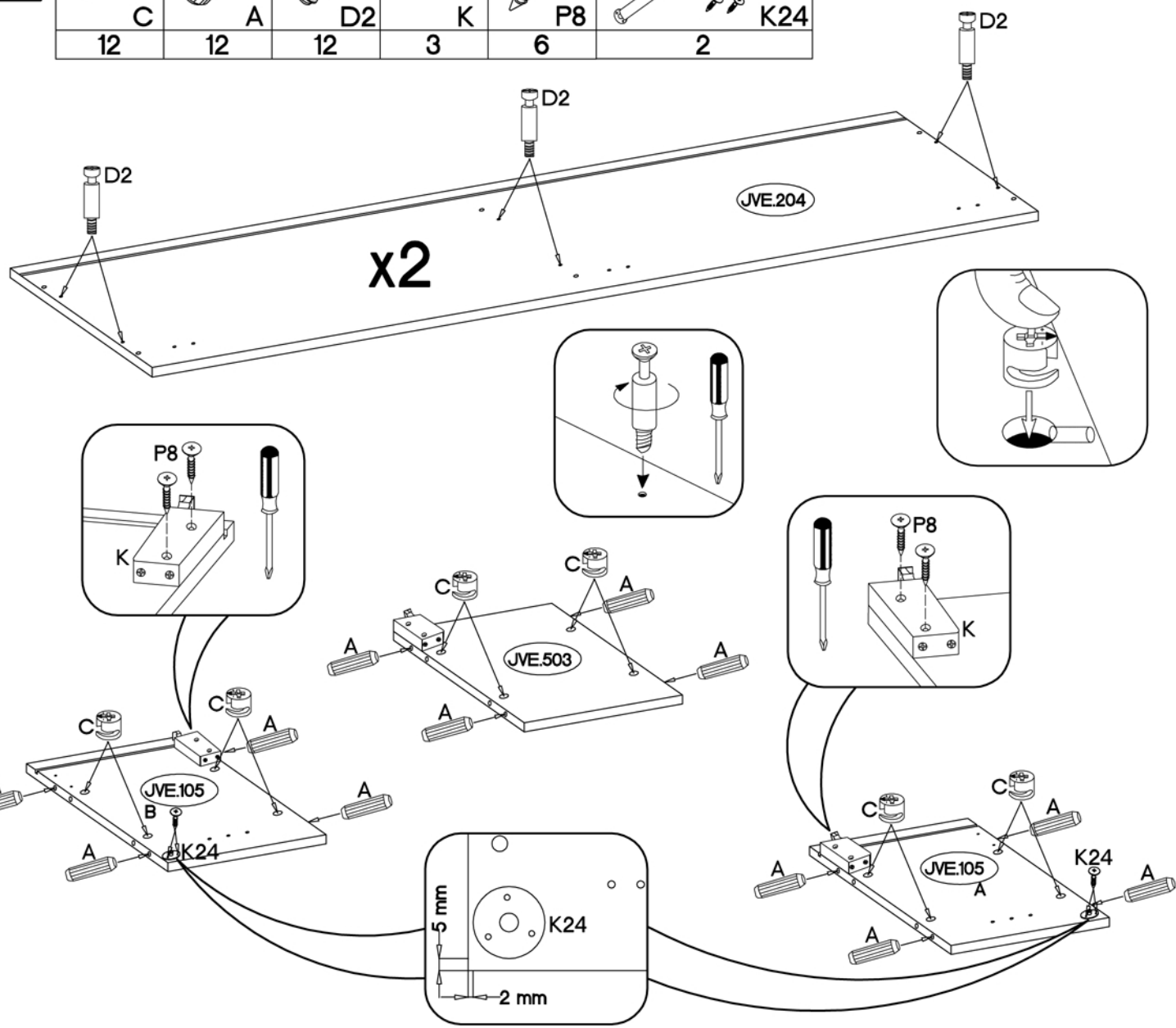






JVE.204 =  max. 5kg

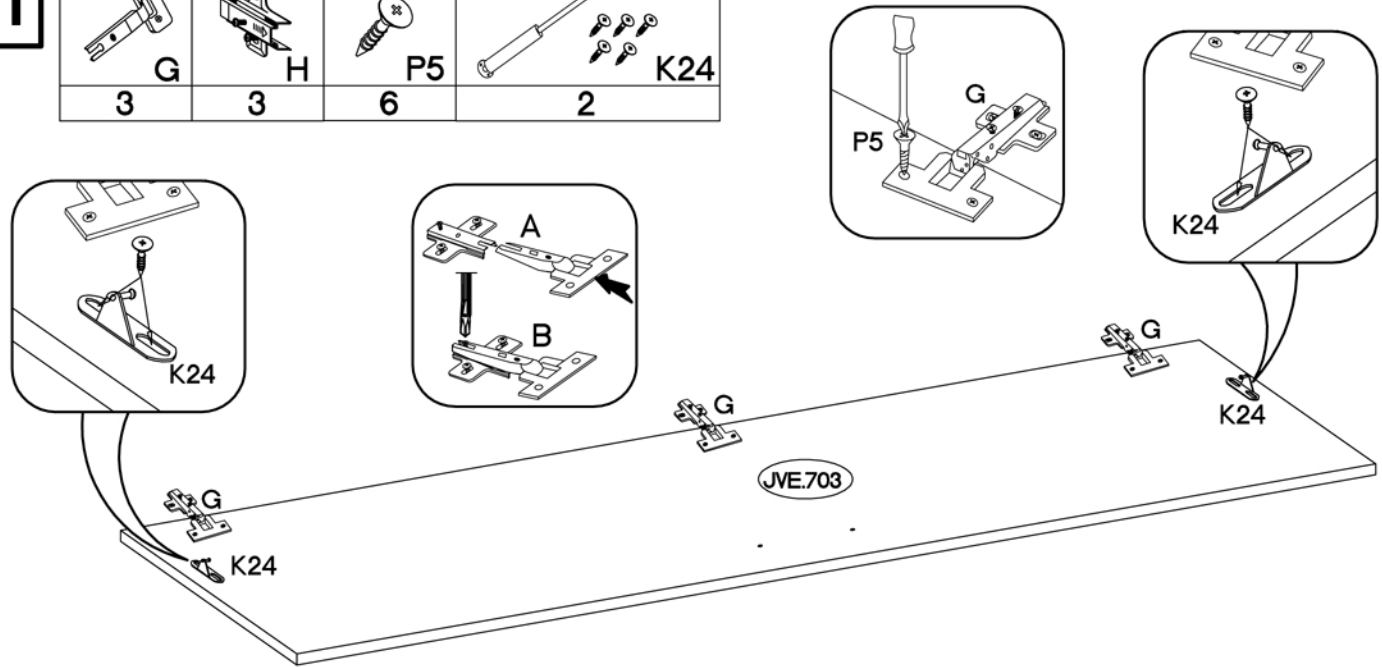
4B :

 J5	 G	 H	 P5	 K24	 O4	 O7	 L2		
3	3	3	6	2	3	3	3		
 C	 A	 D2	 L	 E	 S11	 R2	 K	 P8	 P7
12	12	12	6	12	1	2	3	6	3

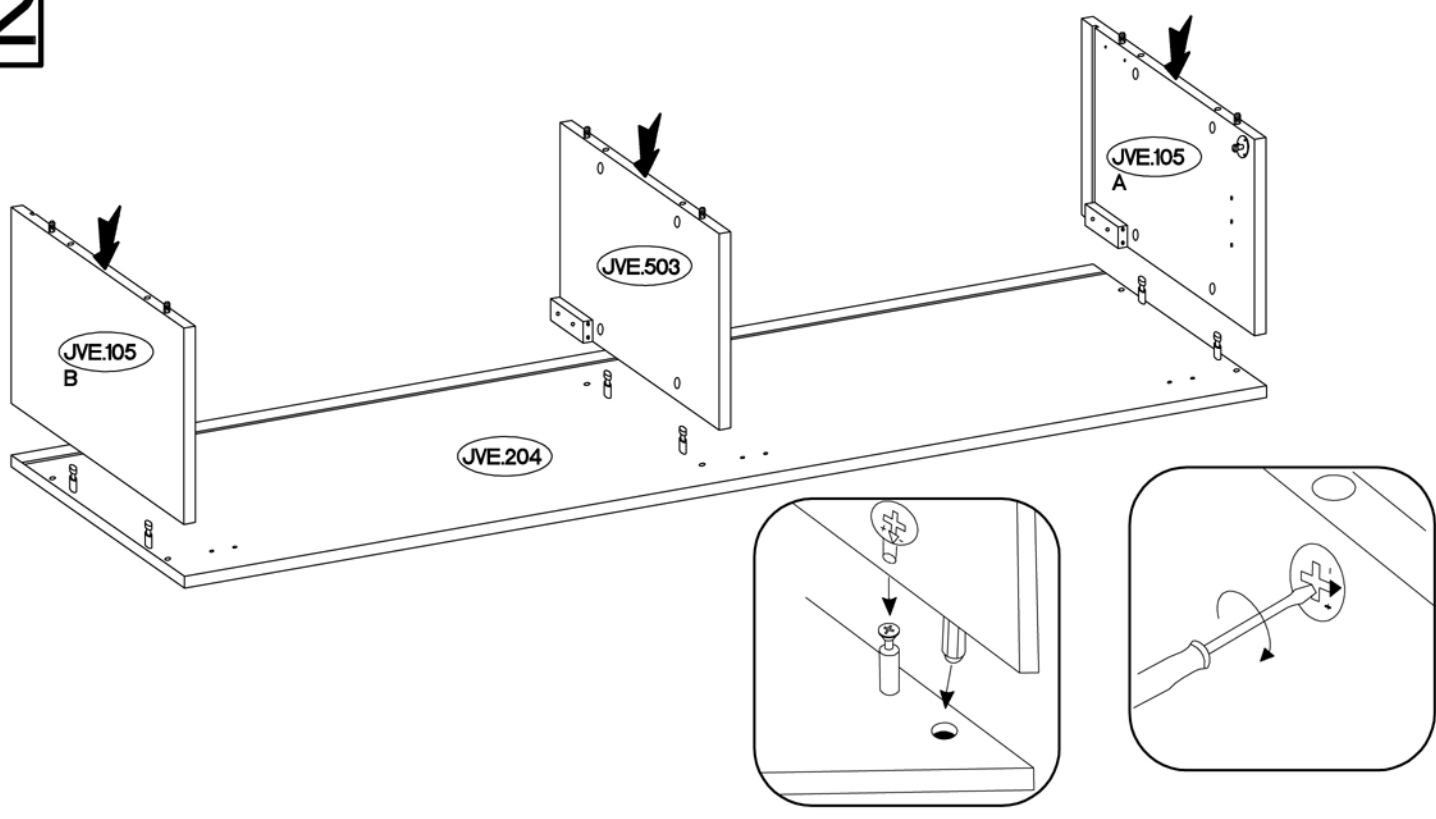
$\pm 15/12\text{mm}$  <b>C</b> 12	$\pm 8 \times 30\text{mm}$  <b>A</b> 12	$L=20\text{mm}$  <b>D2</b> 12	 <b>K</b> 3	$\pm 4.0 \times 30\text{mm}$  <b>P8</b> 6	 <b>K24</b> 2
--	--	--	---	--	--



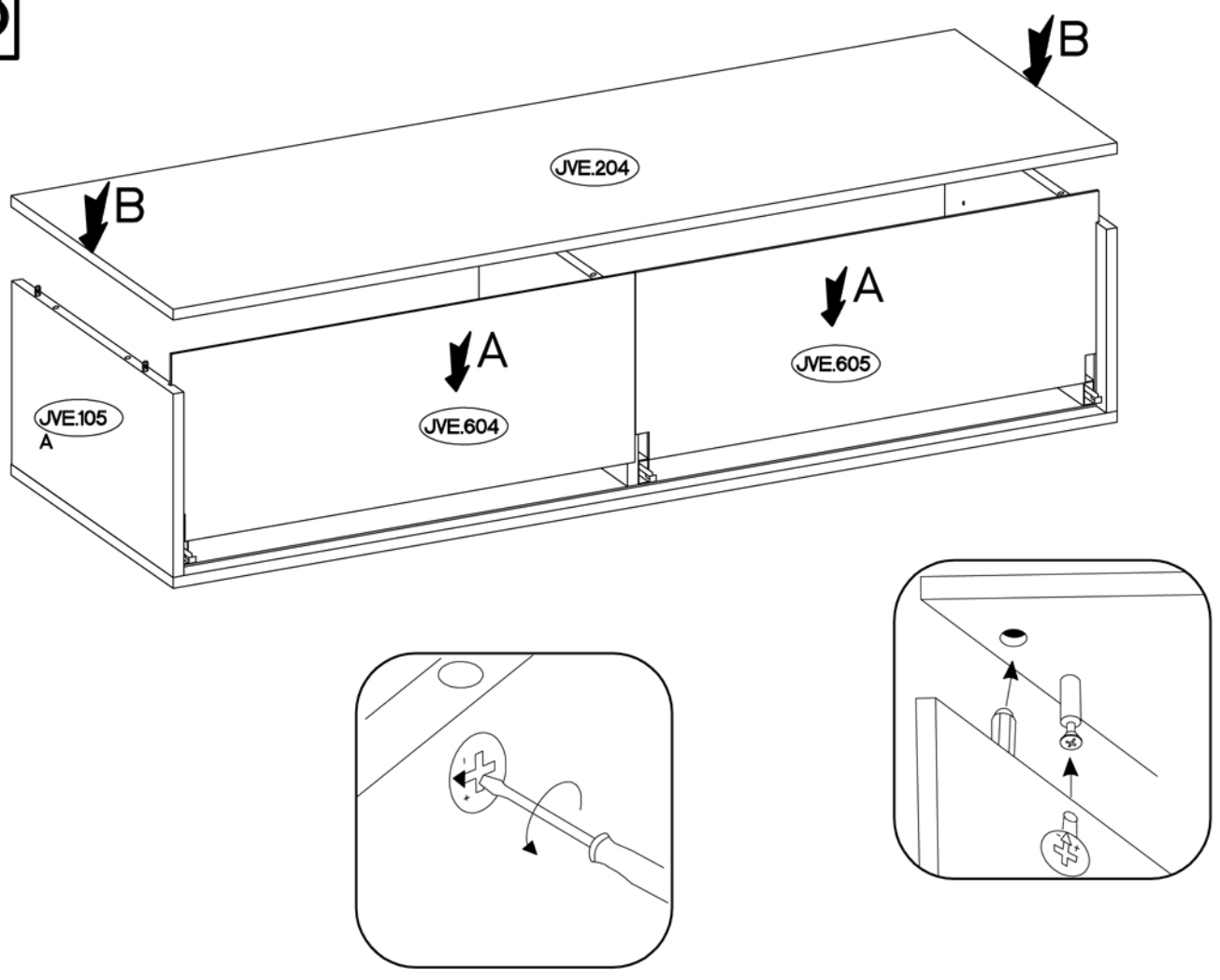
$\pm 35/0\text{mm}$  <b>G</b> 3	$H=0$  <b>H</b> 3	$\pm 3.5 \times 13\text{mm}$  <b>P5</b> 6	 <b>K24</b> 2
---	---	---	--



32

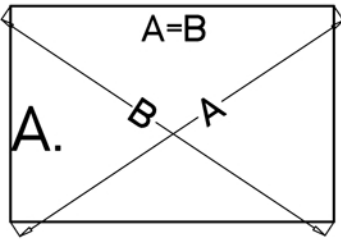
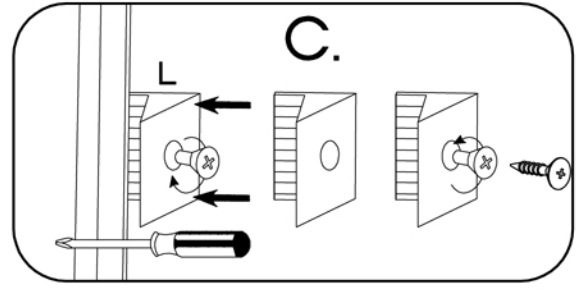
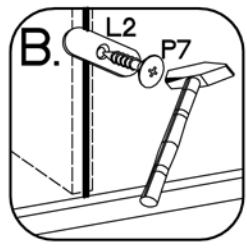
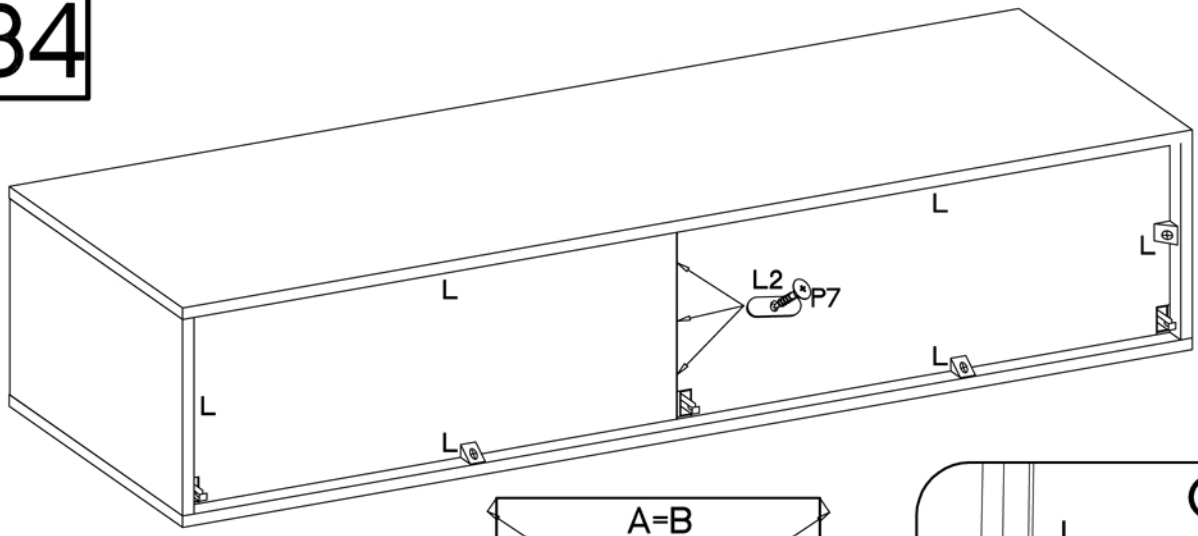





33







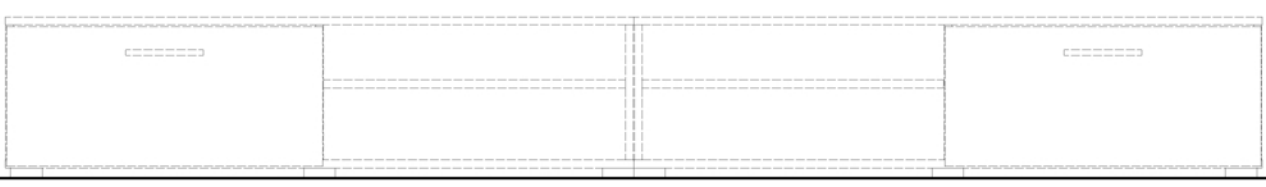
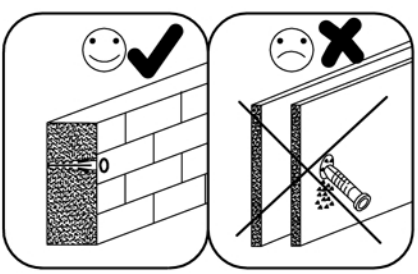
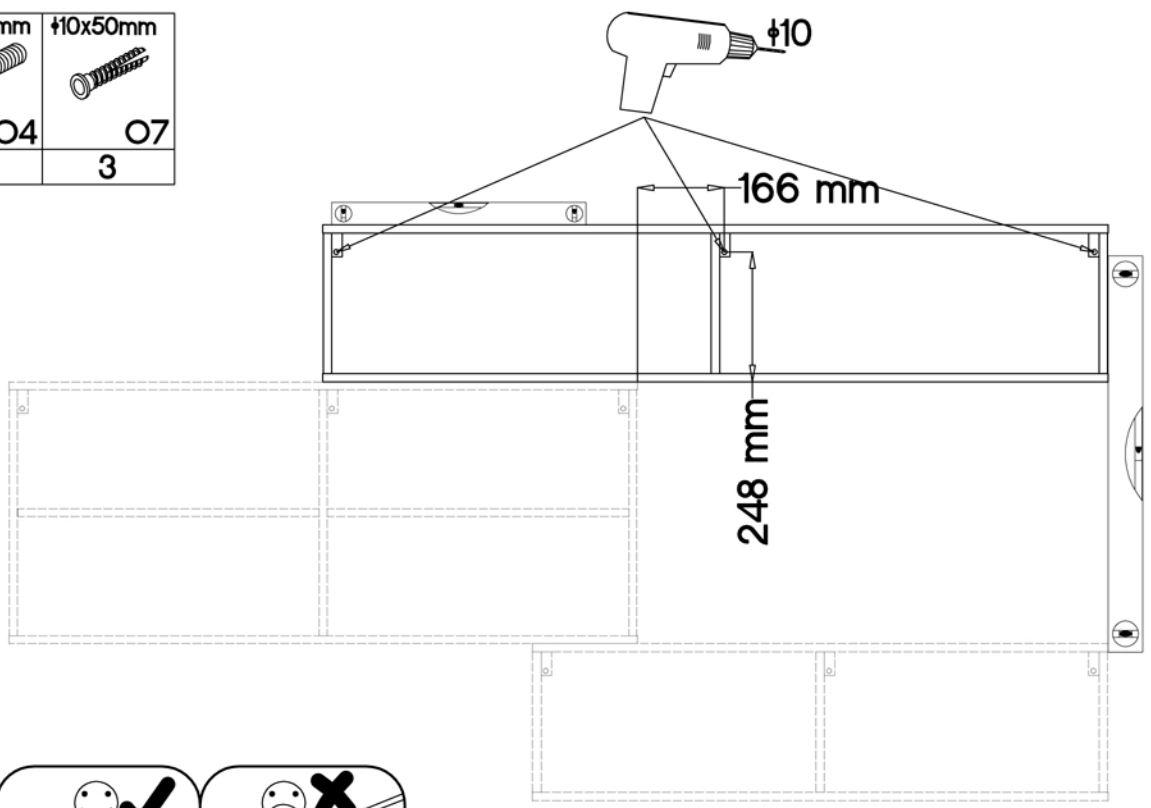
# 34

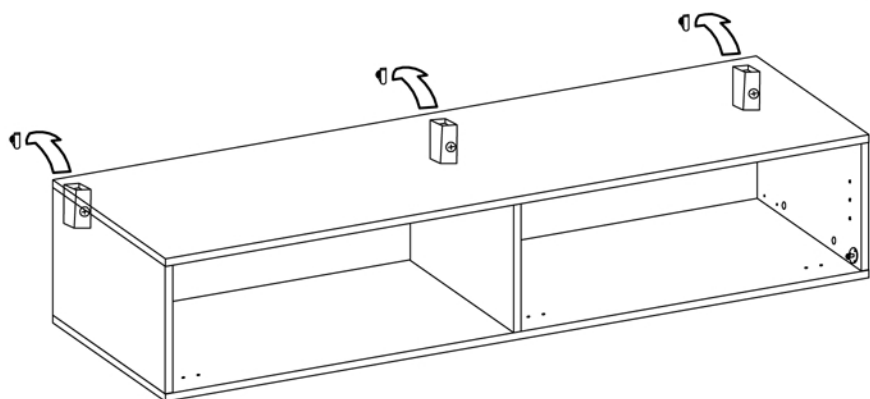
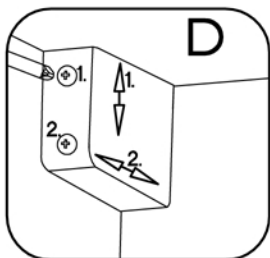
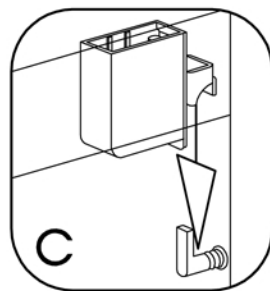
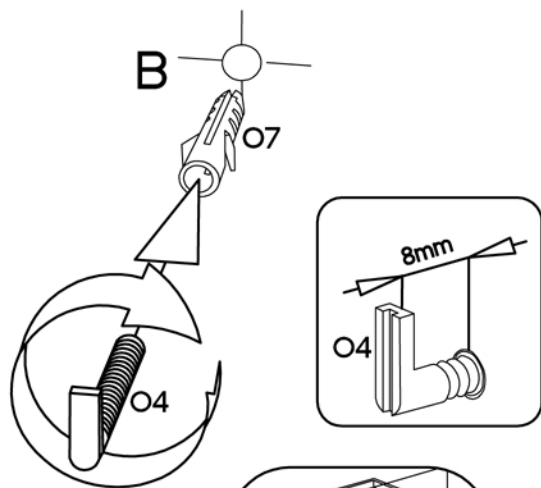
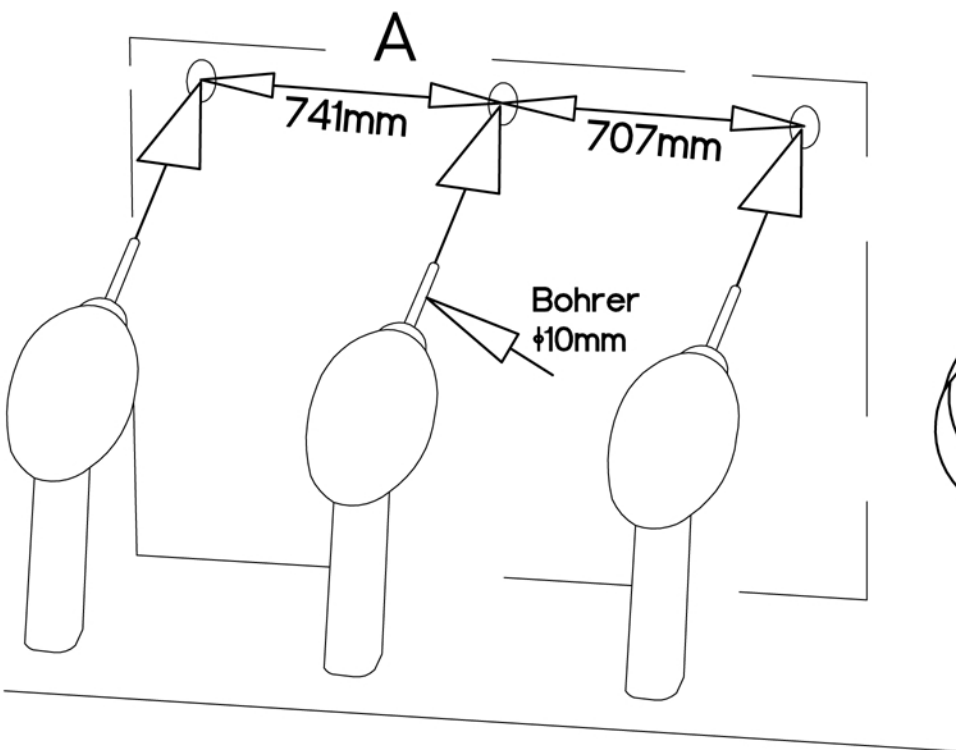


		
L	L2	P7
6	3	3




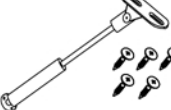

# 35

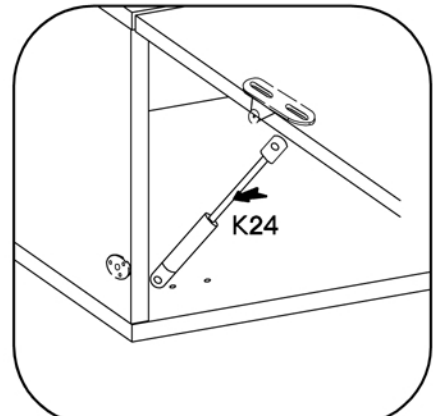
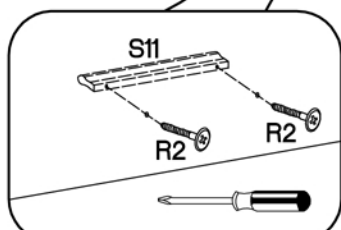
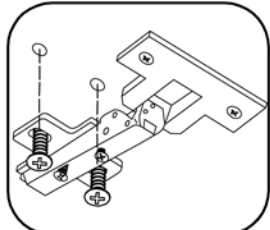
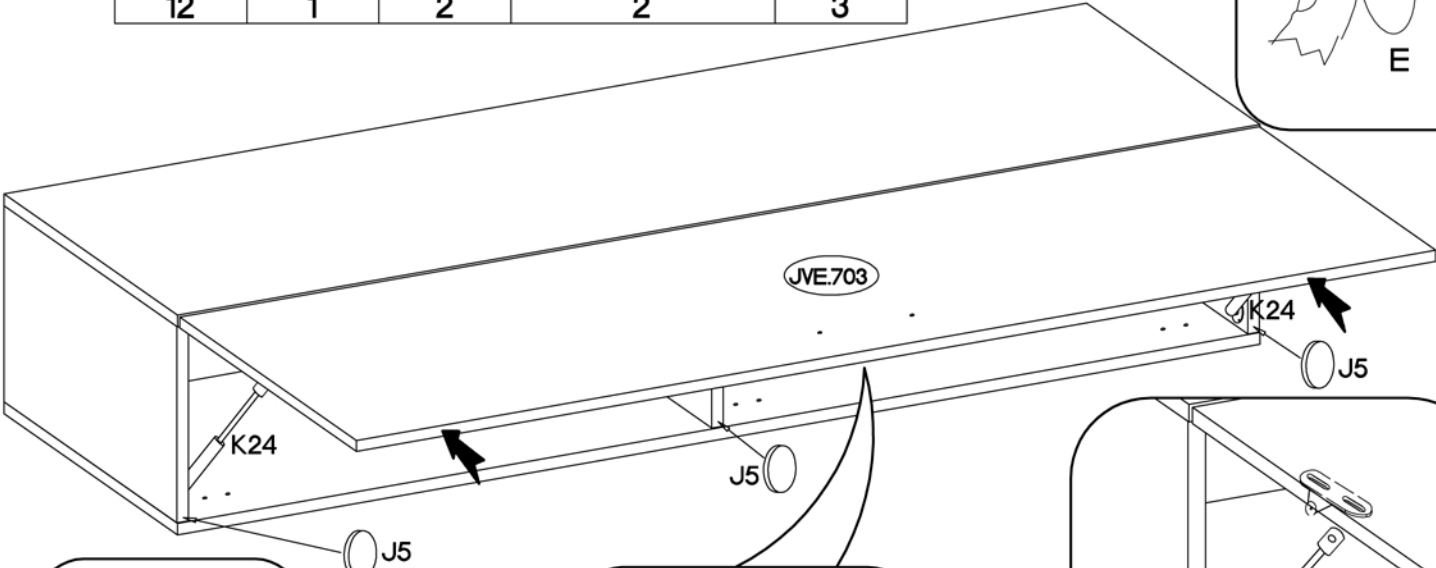
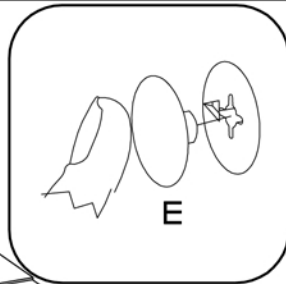
	
6,5/68mm	†10x50mm
O4	O7
3	3





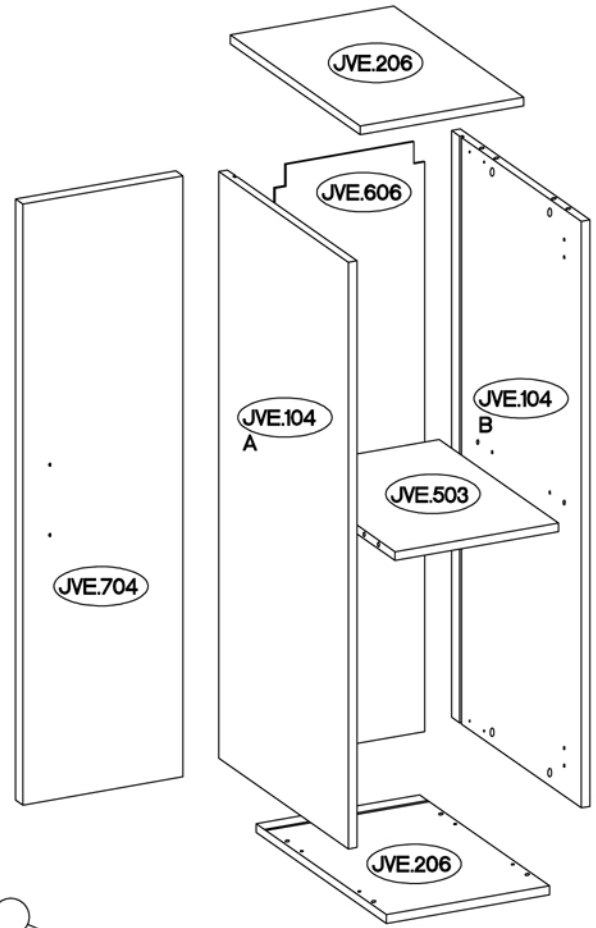
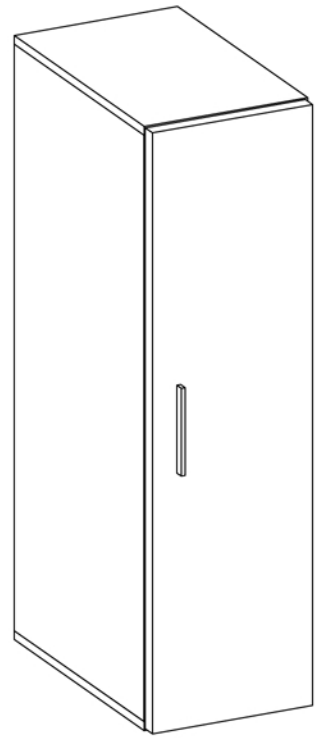
36


				
E	S11	R2	K24	J5
12	1	2	2	3








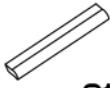

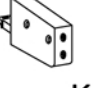


# JORMA

## Typ 535









JVE.503 =  max. 5kg




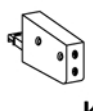

 5B :

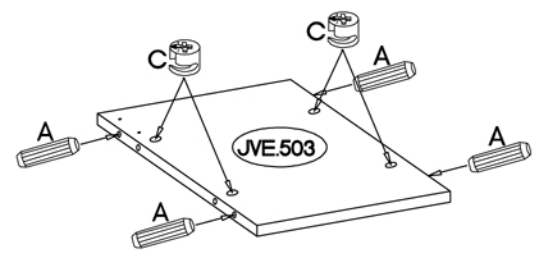
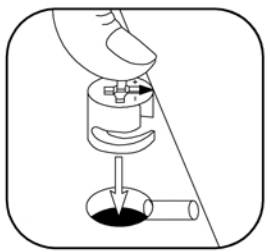
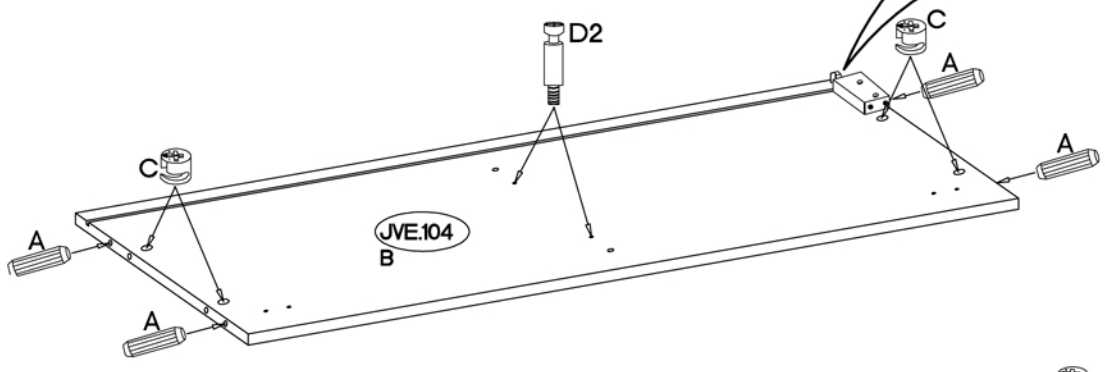
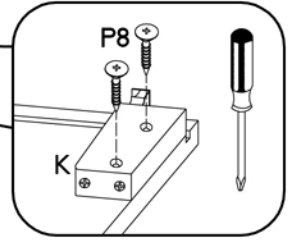
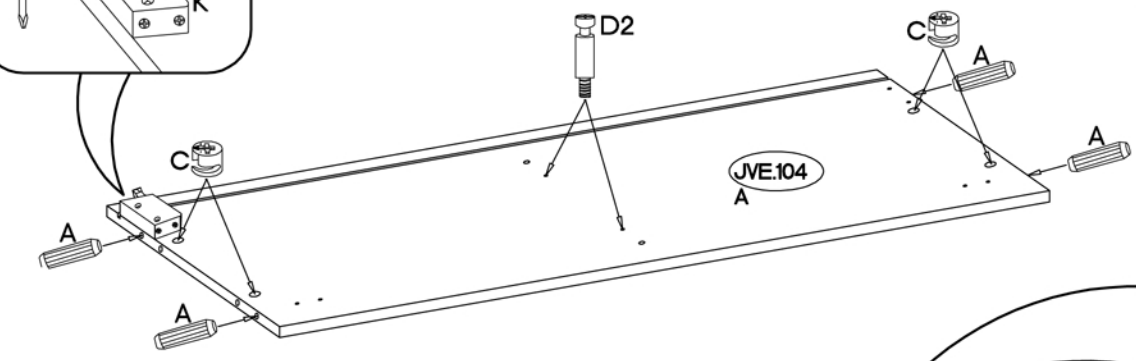
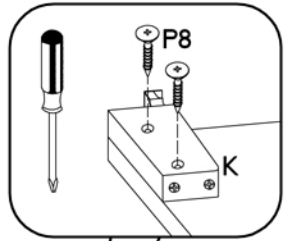
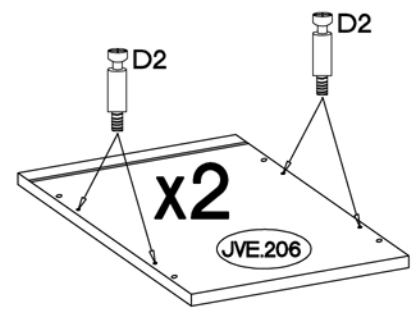
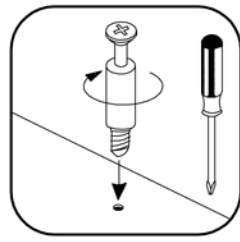
									
‡15/12mm	‡8x30mm	L=20mm			L=128mm	‡4.0x30mm		‡4.0x30mm	‡3.0x20mm
C	A	D2	L	E	S11	R2	K	P8	P7
12	12	12	6	12	1	2	2	4	3






					
‡4.0x25mm	‡35/0mm	H=0	‡3.5x13mm	6,5/68mm	‡10x50mm
R	G	H	P5	O4	O7
3	2	2	4	2	2

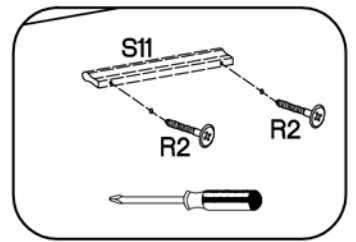
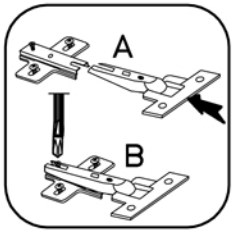
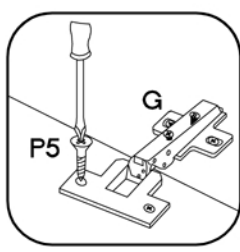
# 38

±15/12mm  C	±8x30mm  A	L=20mm  D2	 K	±4.0x30mm  P8
12	12	12	2	4

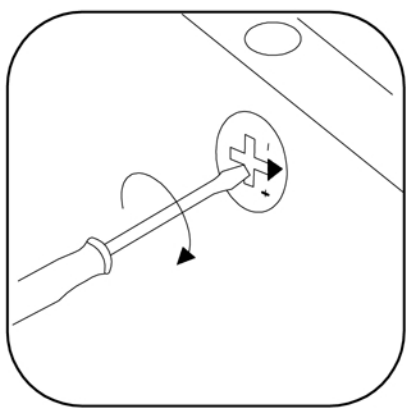
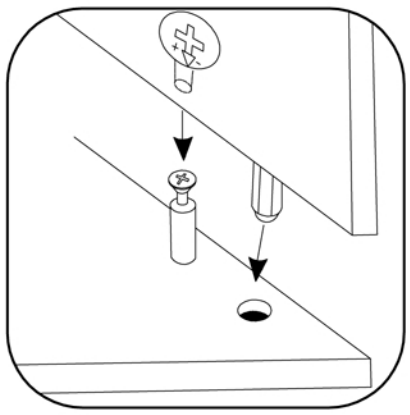
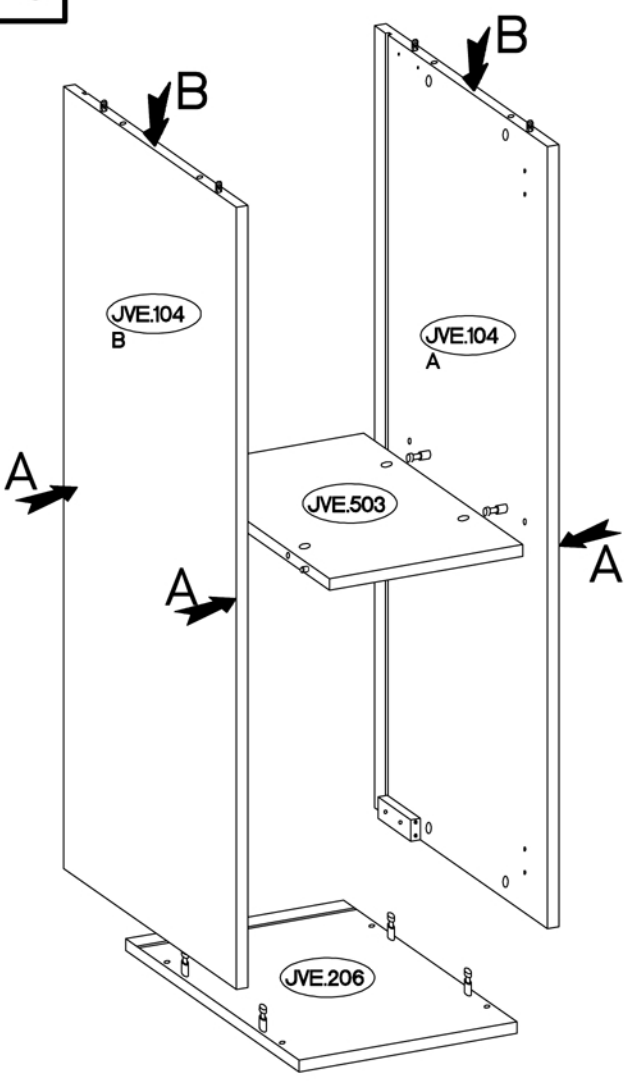


# 39

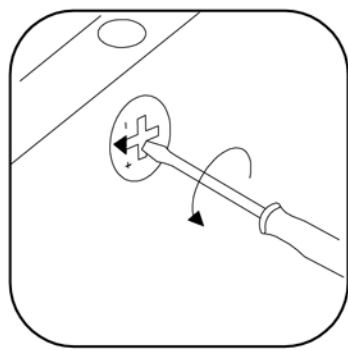
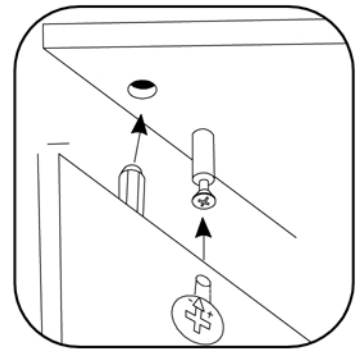
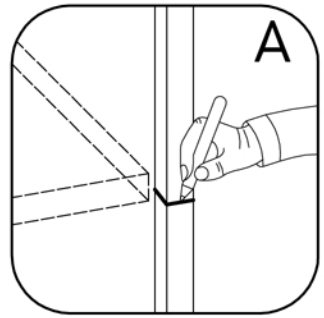
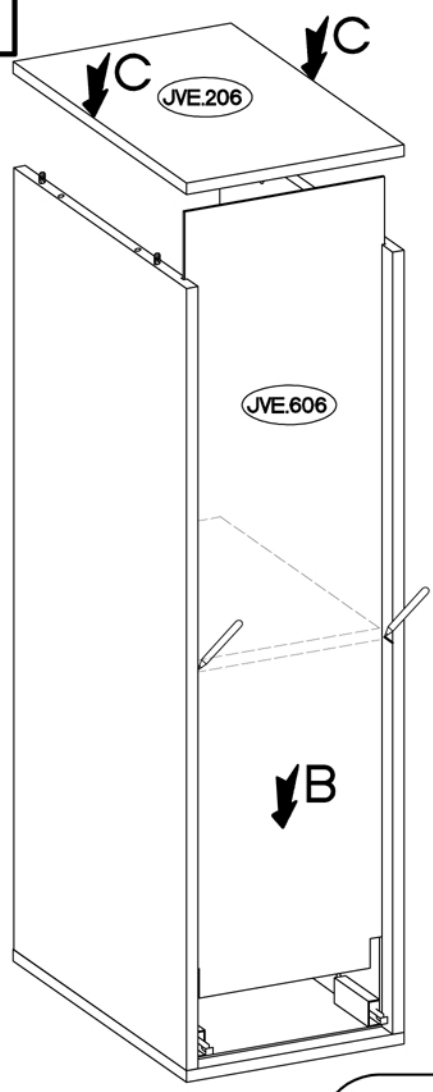
±35/0mm  G	H=0  H	±3.5x13mm  P5	L=128mm  S11	±4.0x30mm  R2
2	2	4	1	2



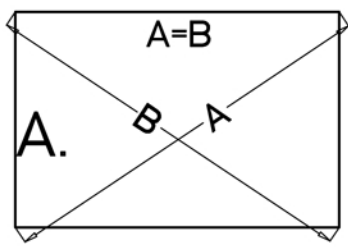
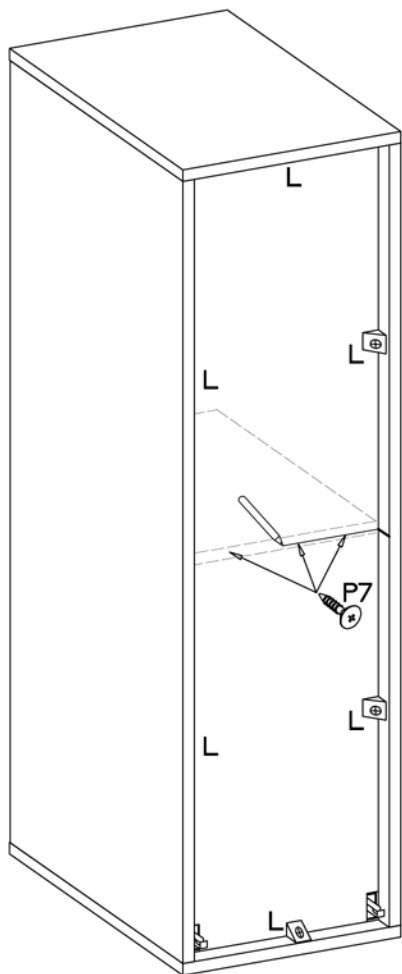
40



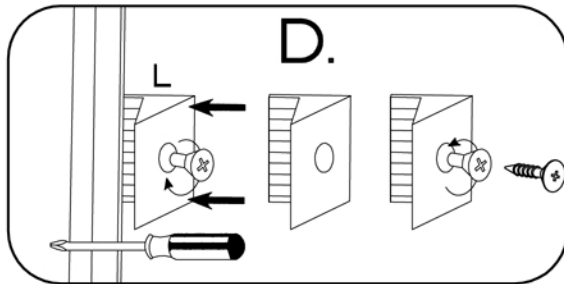
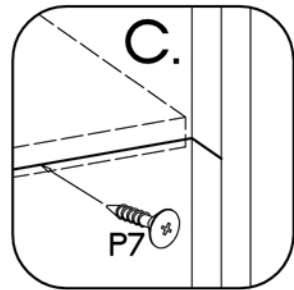
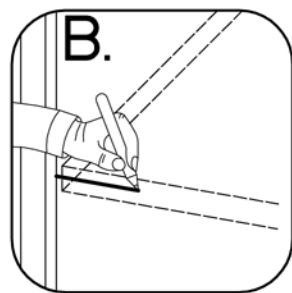
41



# 42

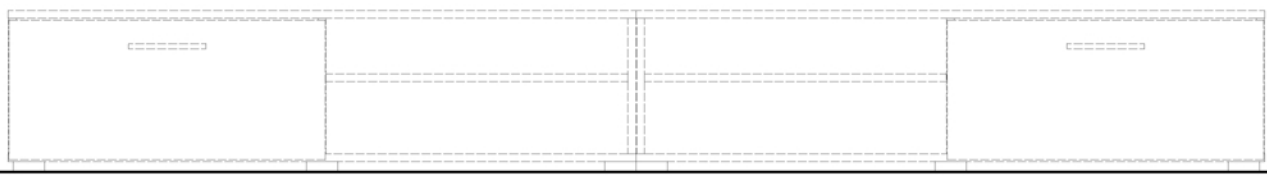
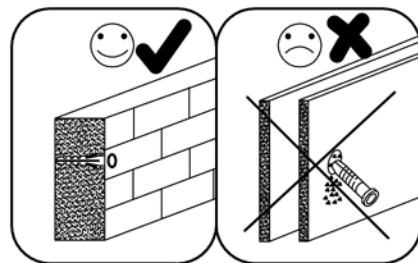
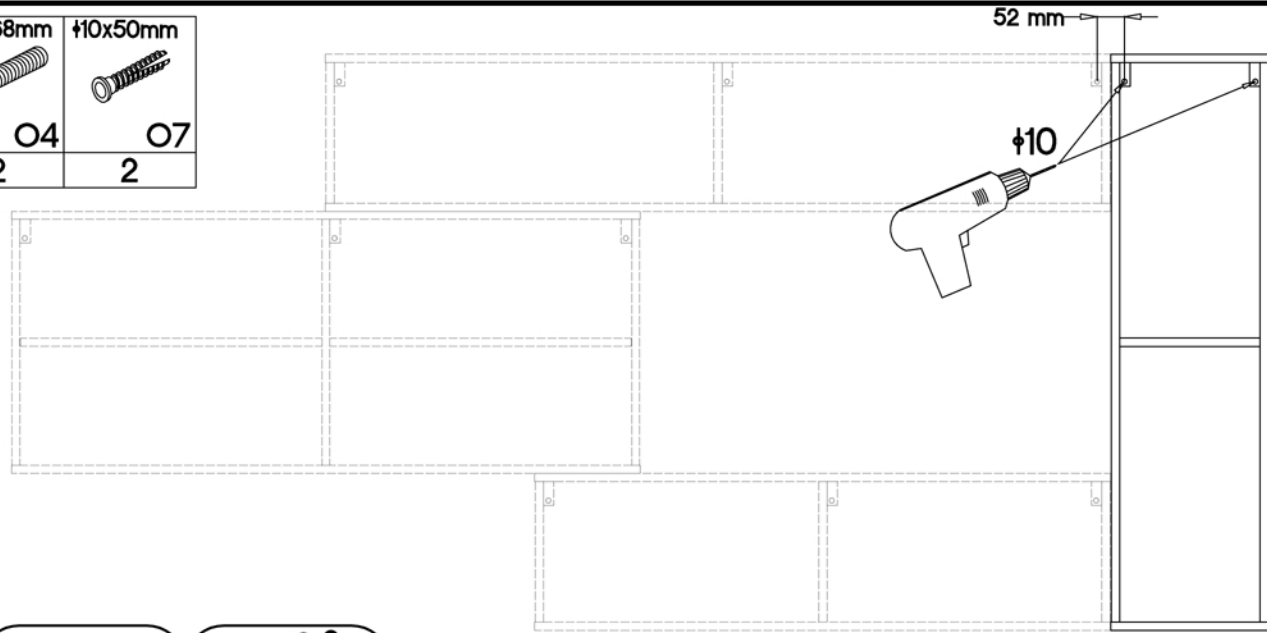


L	P7
6	3

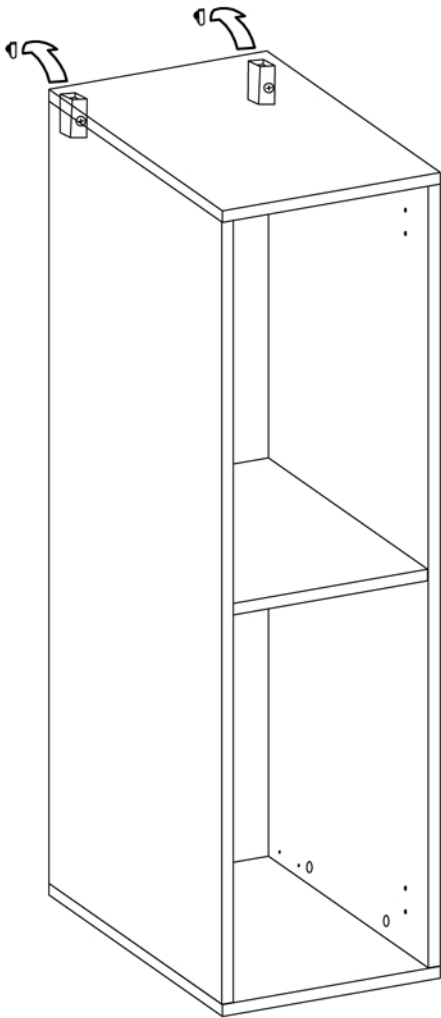
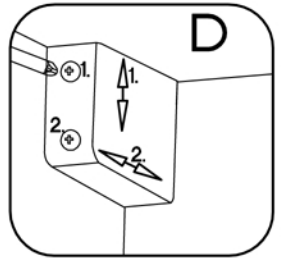
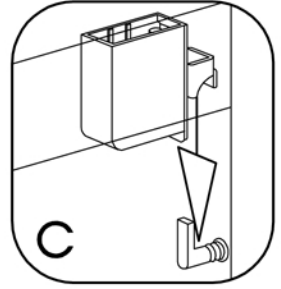
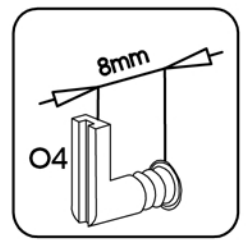
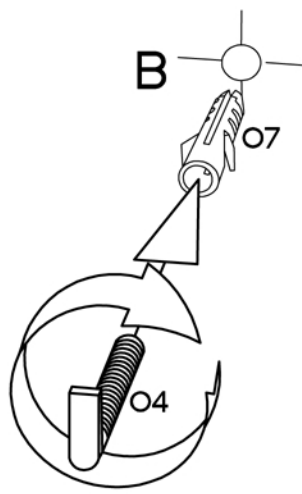
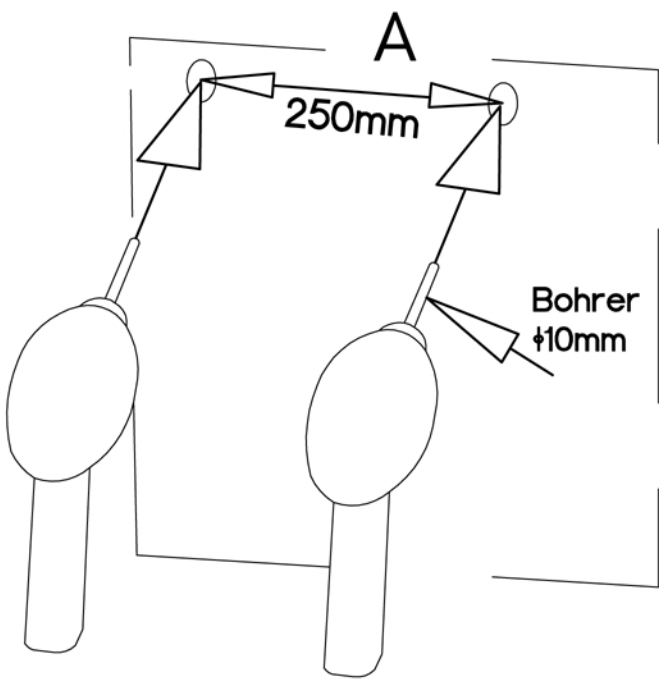


# 43

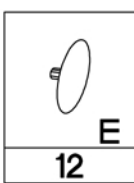
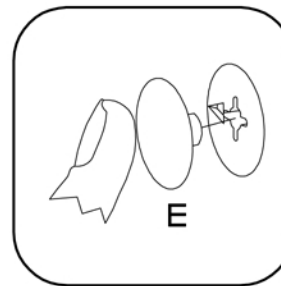
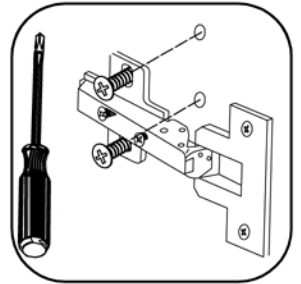
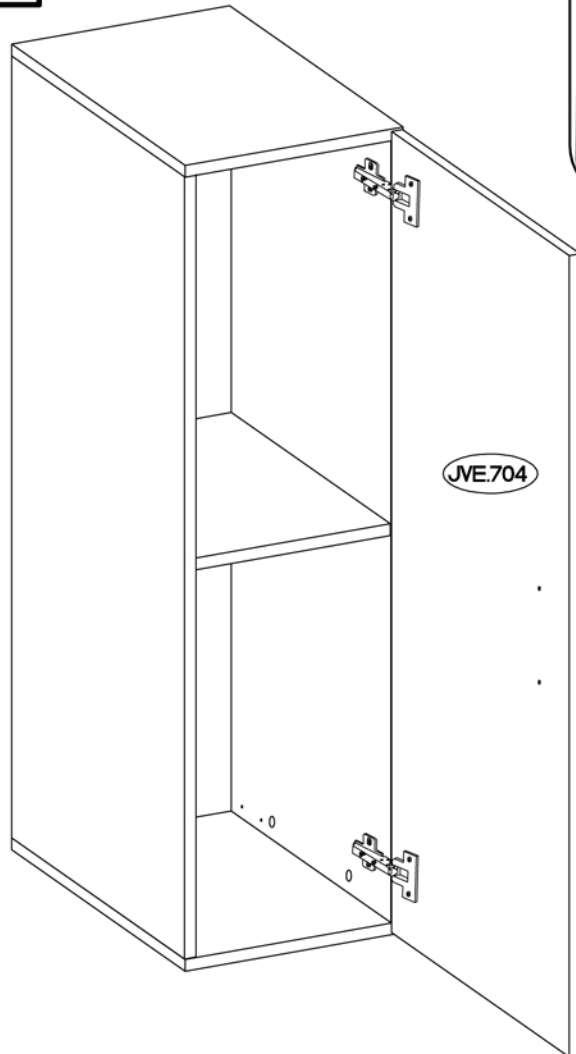
O4	O7
2	2








**44**



45

4.0x25mm  
  
R  
3

