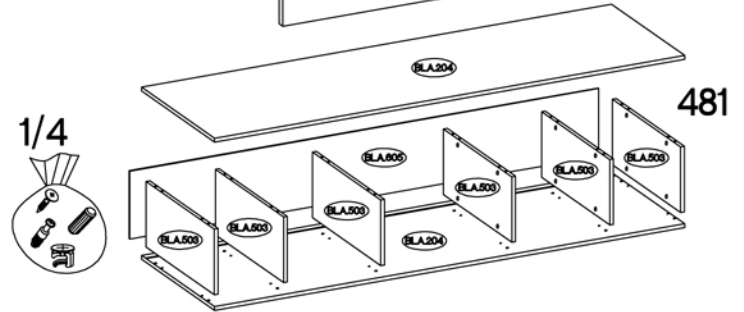
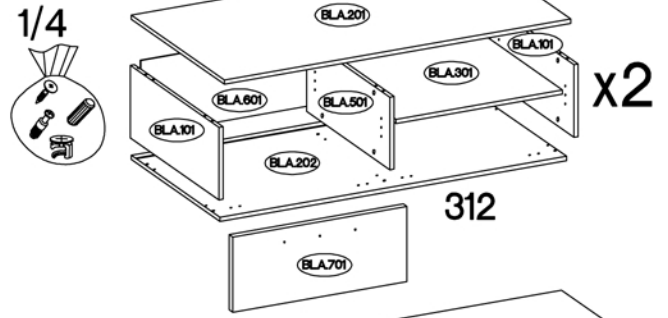
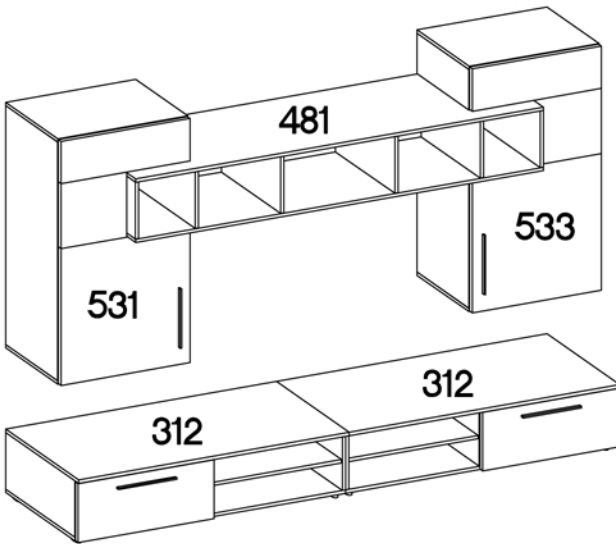
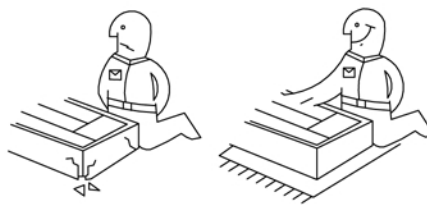


BELTON

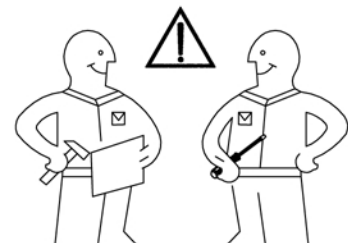
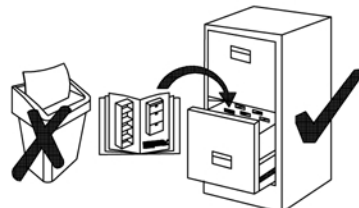
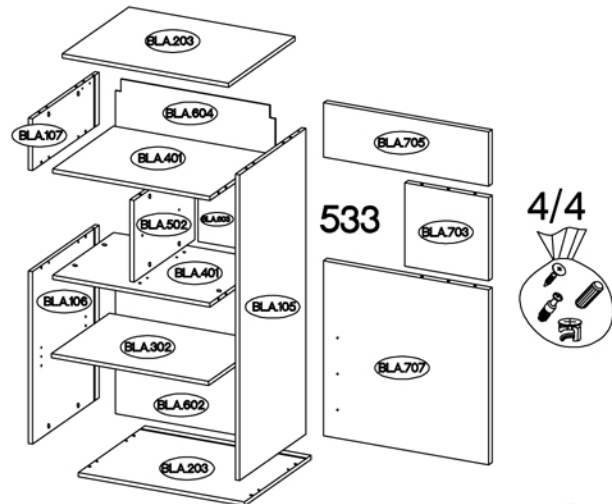
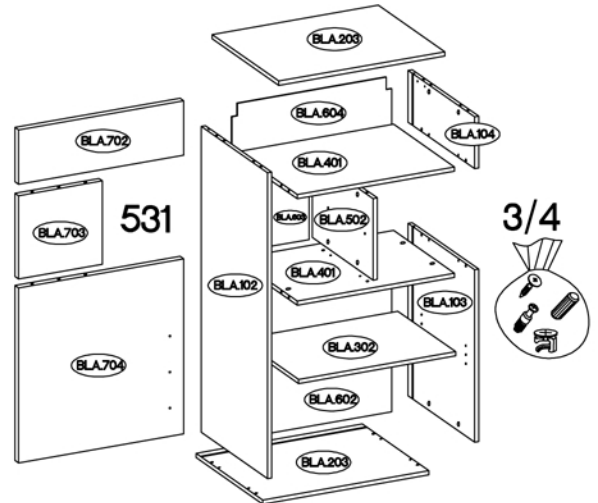


Coli	Typ	Ersatzteil Nummer	Dimension
1/4	312	BLA.101 x4	258x384x15
		BLA.601 x2	267x620x2,5
		BLA.701 x2	628x267x16
	481	BLA.204 x2	1885x352x15
		BLA.503 x6	259x329x15
		BLA.605	1881x268x2,5

Coli	Typ	Ersatzteil Nummer	Dimension
2/4	312	BLA.201 x2	1250x404x15
		BLA.202 x2	1250x385x15
		BLA.301 x2	601,5x357x15
		BLA.501 x2	258x362x15

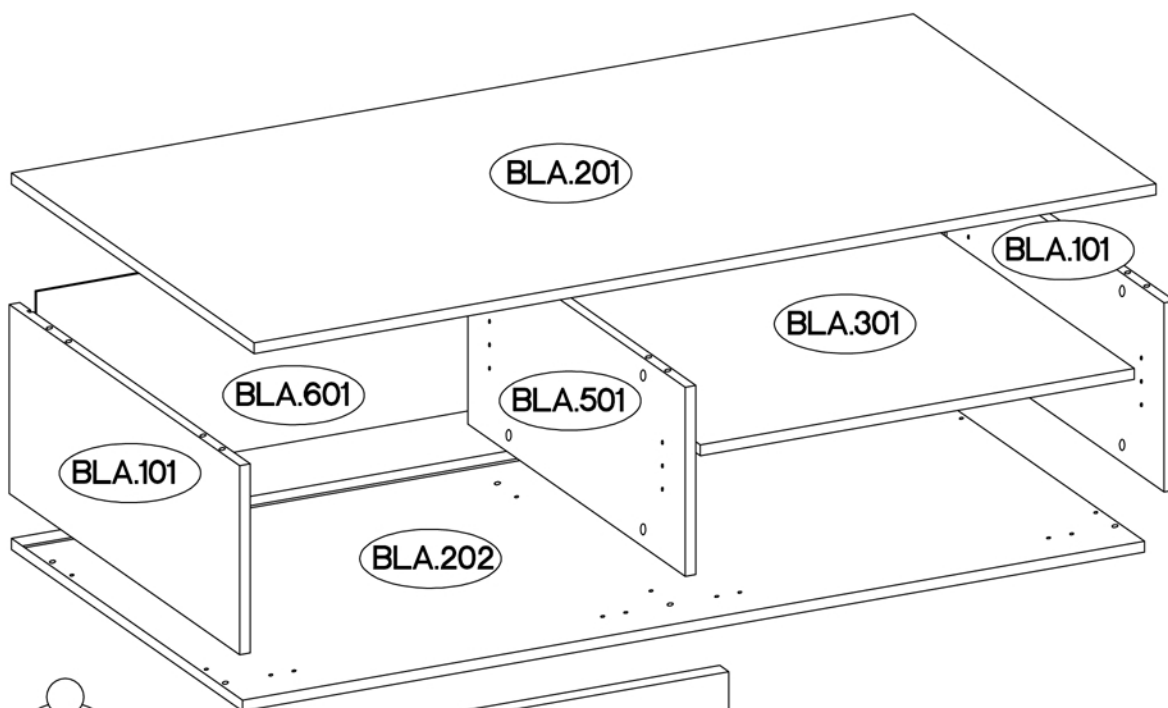
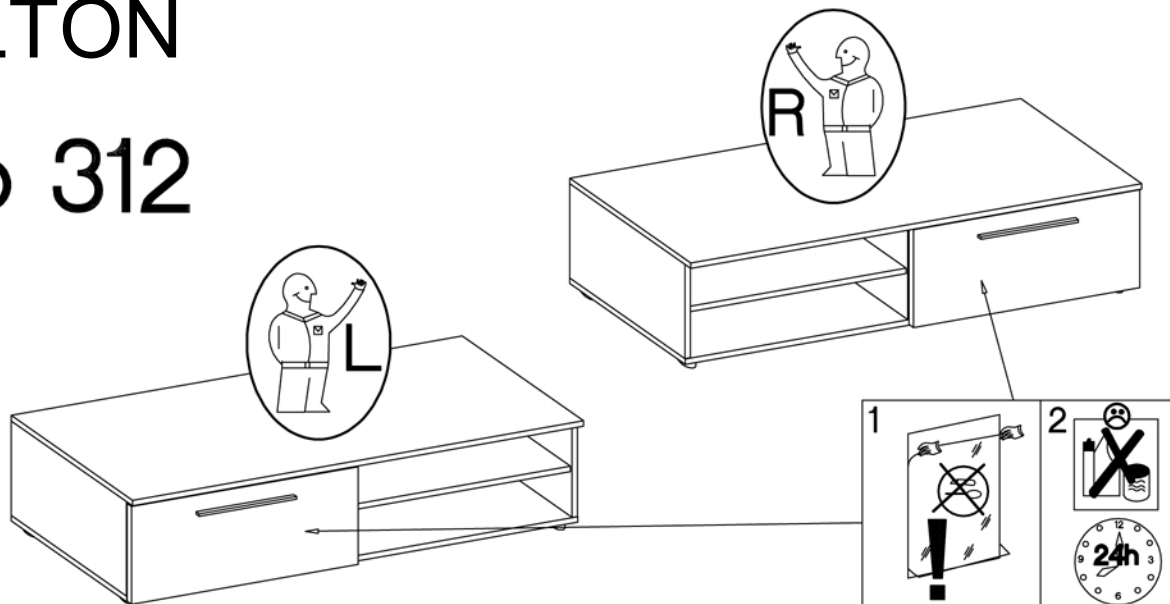
Coli	Typ	Ersatzteil Nummer	Dimension
3/4	531	BLA.102	1087x288x15
		BLA.103	613x288x15
		BLA.104	184x288x15
		BLA.203 x2	600x289x15
		BLA.302	567x251x15
		BLA.401 x 2	568x265x15
		BLA.502	290x264x15
		BLA.602	611x577x2,5
		BLA.603	300x294x2,5
		BLA.604	179x577x2,5
		BLA.702	193x596x16
		BLA.703	303x296x16
BLA.704	622x596x16		


Coli	Typ	Ersatzteil Nummer	Dimension
4/4	533	BLA.105	1087x288x15
		BLA.106	613x288x15
		BLA.107	184x288x15
		BLA.203 x2	600x289x15
		BLA.302	567x251x15
		BLA.401 x 2	568x265x15
		BLA.502	290x264x15
		BLA.602	611x577x2,5
		BLA.603	300x294x2,5
		BLA.604	179x577x2,5
		BLA.705	193x596x16
		BLA.703	303x296x16
BLA.707	622x596x16		




1






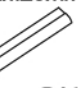





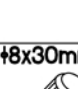
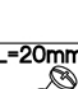
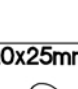
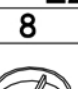
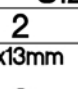

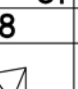
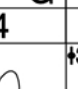
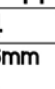
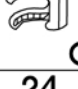


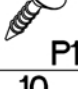
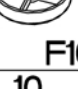
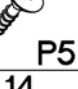
BELTON Typ 312








BLA.201 =  max. 15kg

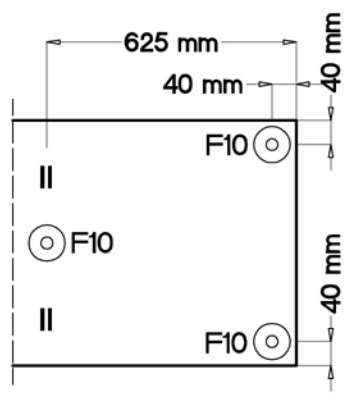
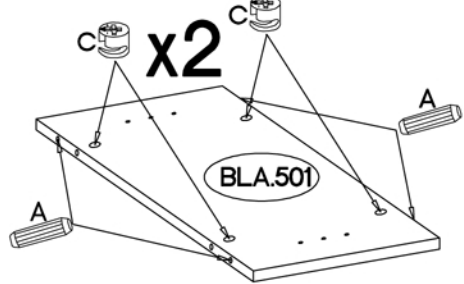
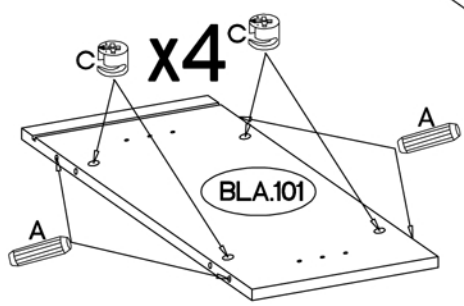
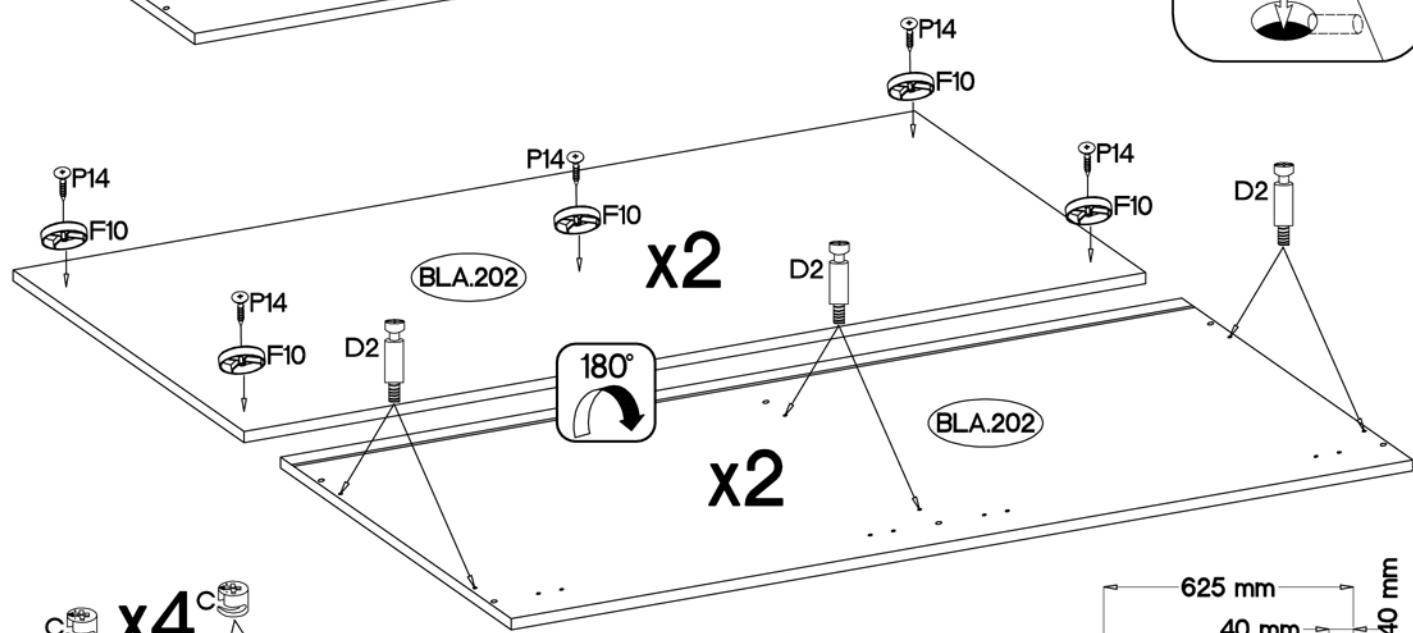
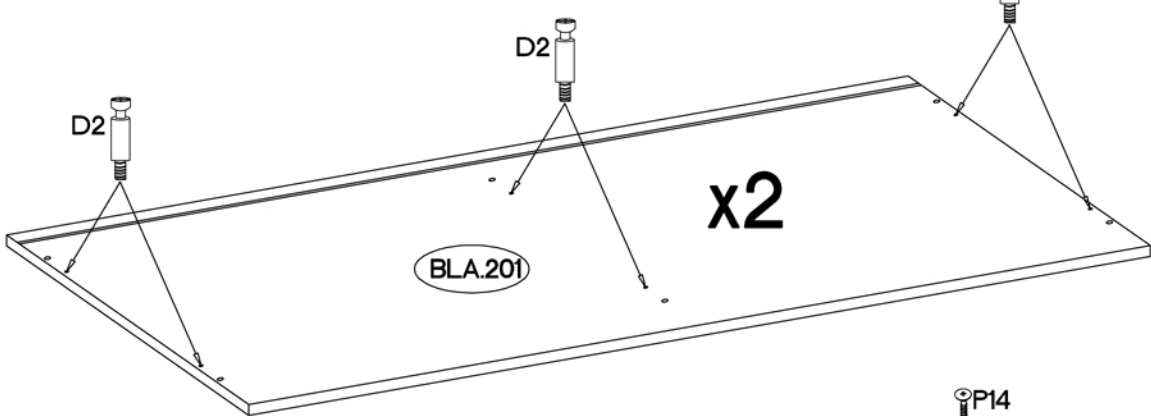
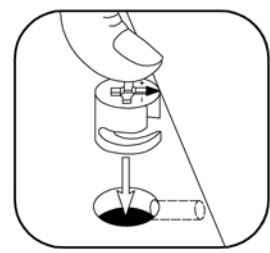
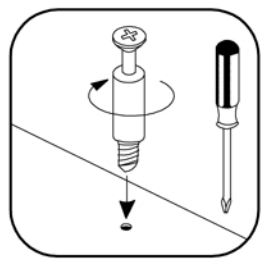
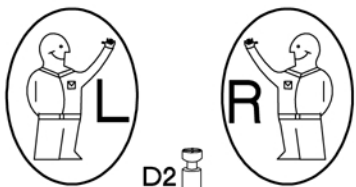
BLA.301 =  max. 5kg

 1B:






									
±5/12mm	±8x30mm	L=20mm	±4.0x25mm		±3.5x13mm				±3.0x16mm
8	24	24	10	10	14	2	6	24	12
									
8	2	6	8	4	4				
±5	L=2x128mm	±4.0x27mm	±5	±35/0mm	H=0				
									
8	2	6	8	4	4				

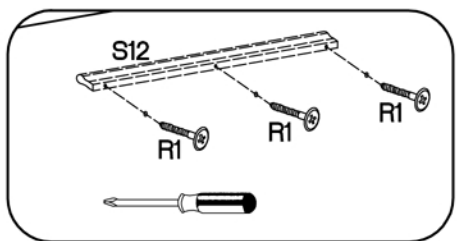
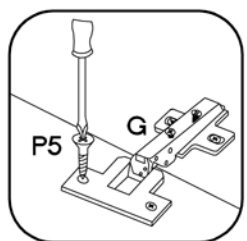
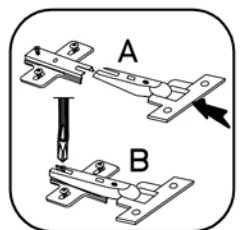
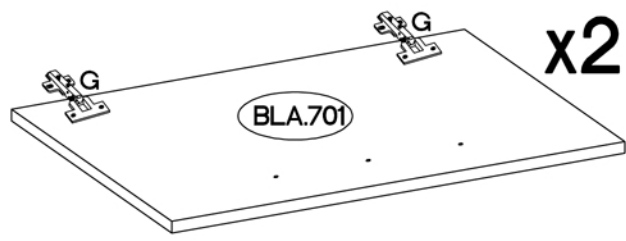
2

±15/12mm  C	±8x30mm  A	L=20mm  D2	±4.0x25mm  P14	 F10
24	24	24	10	10



3

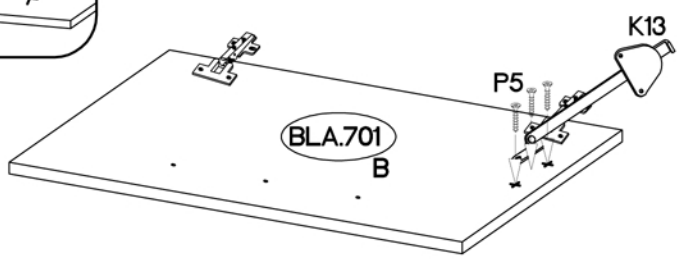
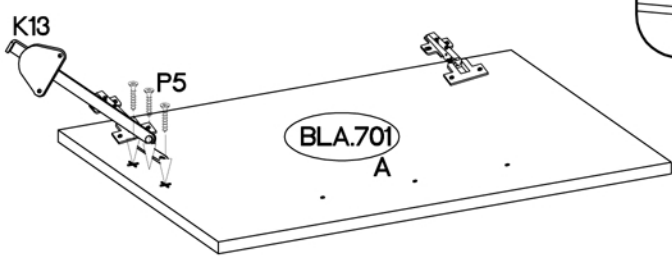
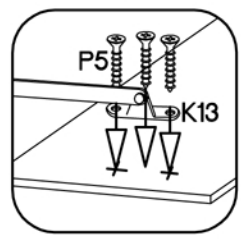
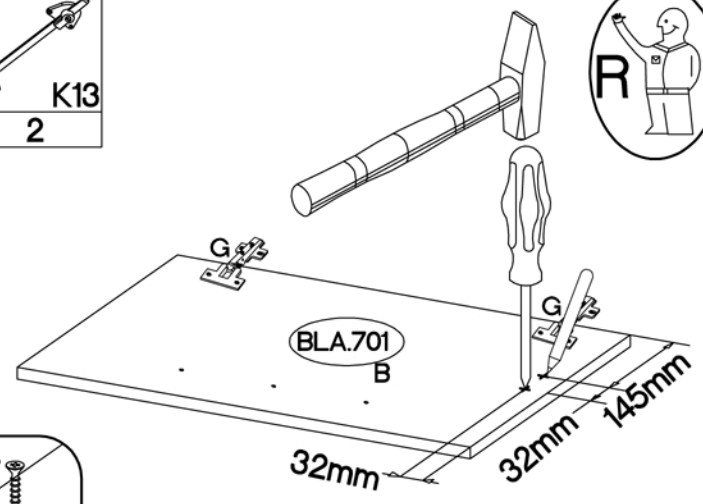
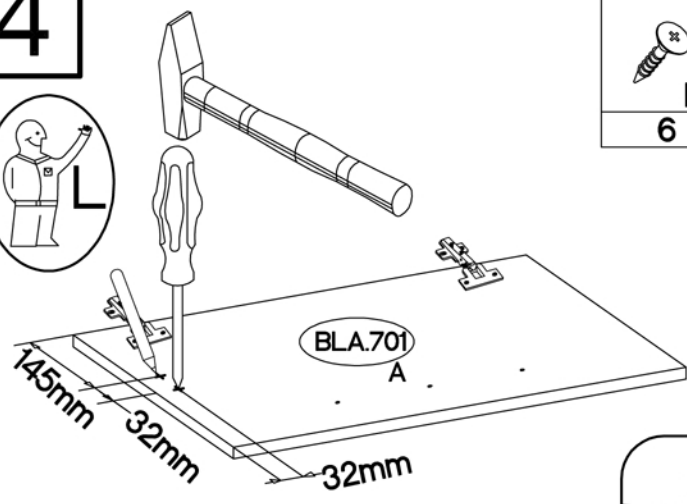
±35/0mm  G	H=0  H	±3.5x13mm  P5	L=2x128mm  S12	±4.0x27mm  R1
4	4	8	2	6



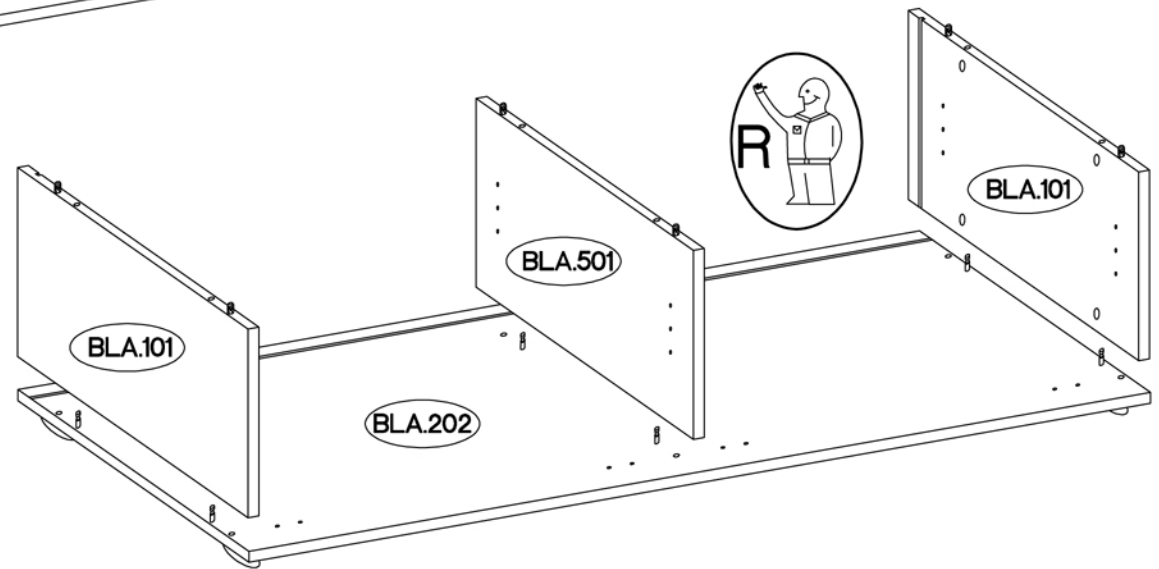
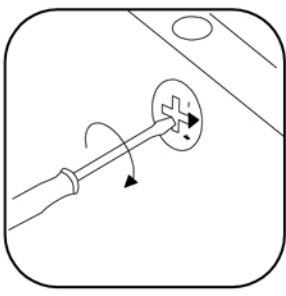
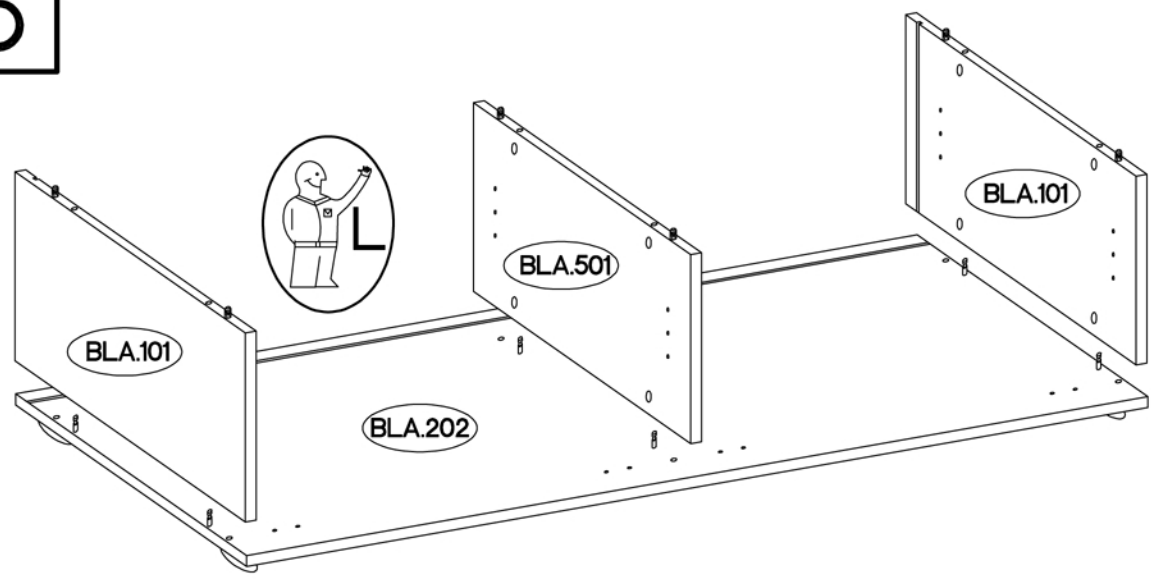
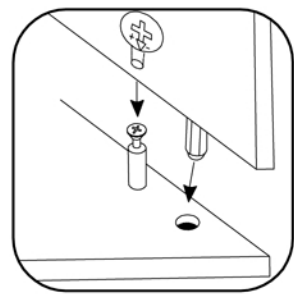
4



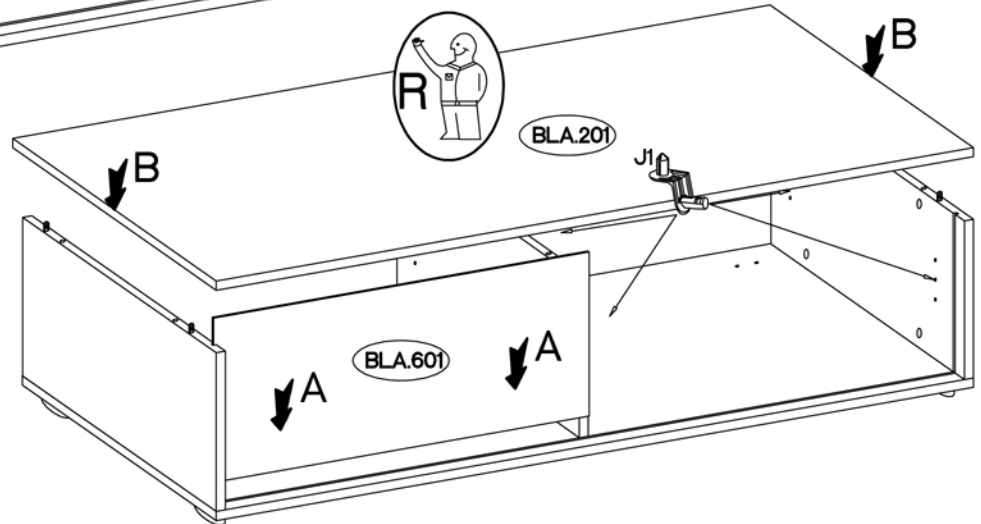
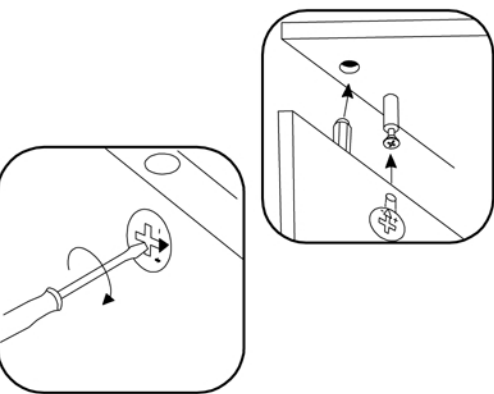
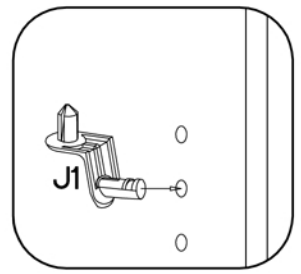
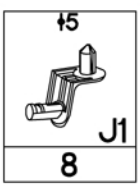
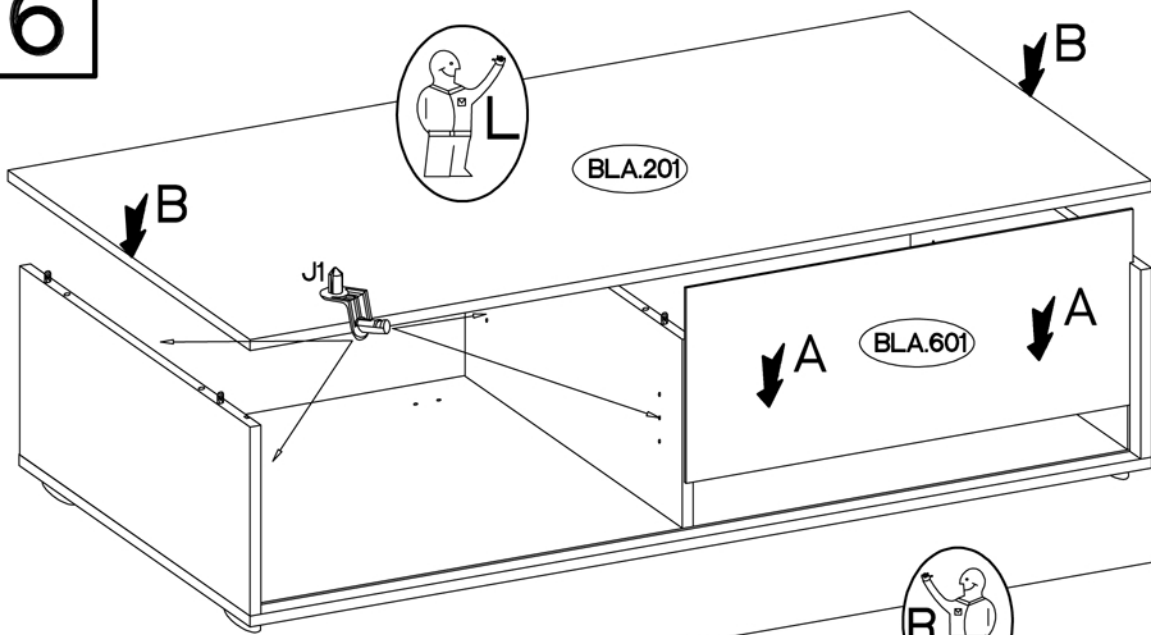
#3.5x13mm	
P5	K13
6	2



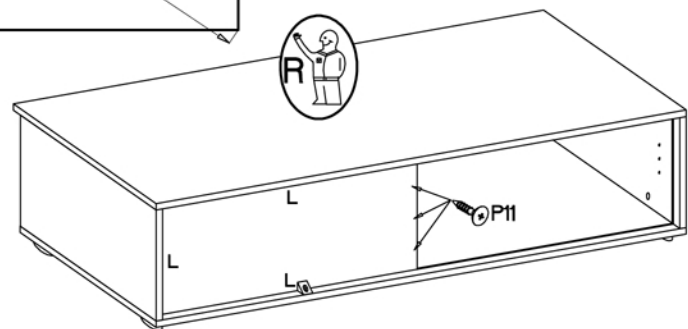
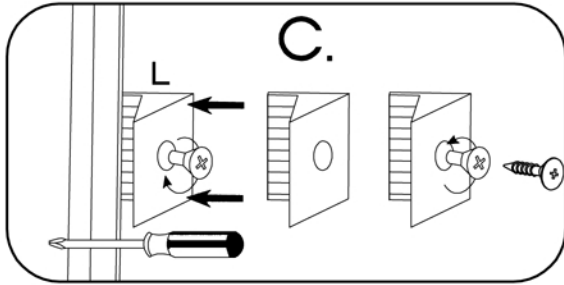
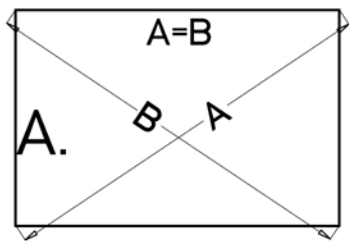
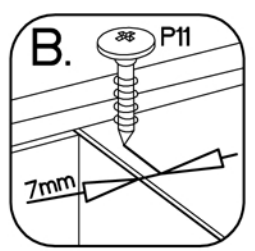
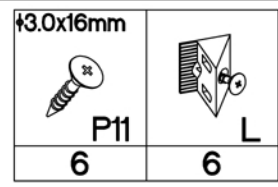
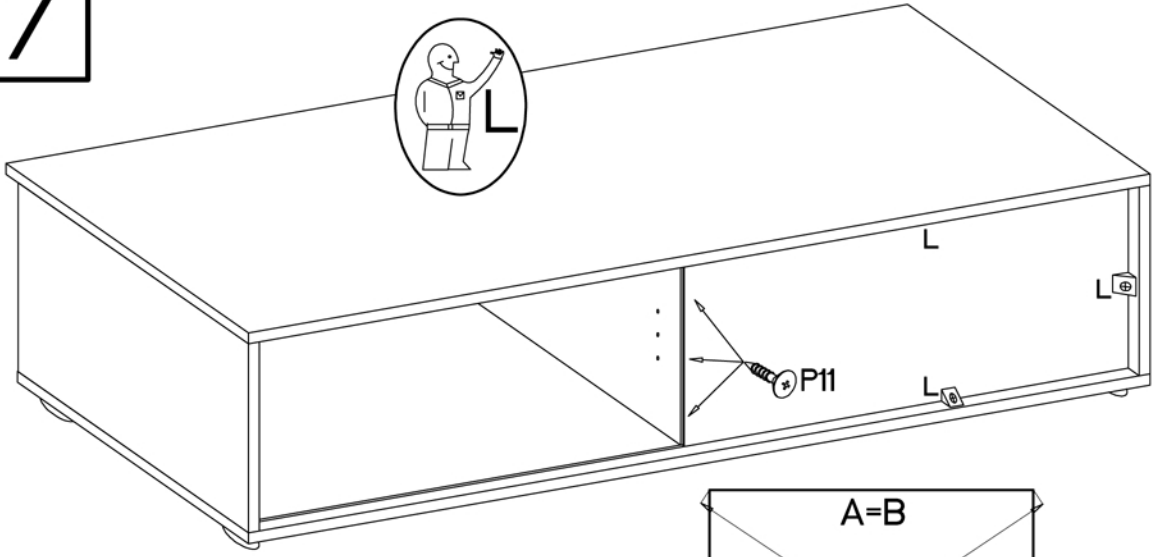
5






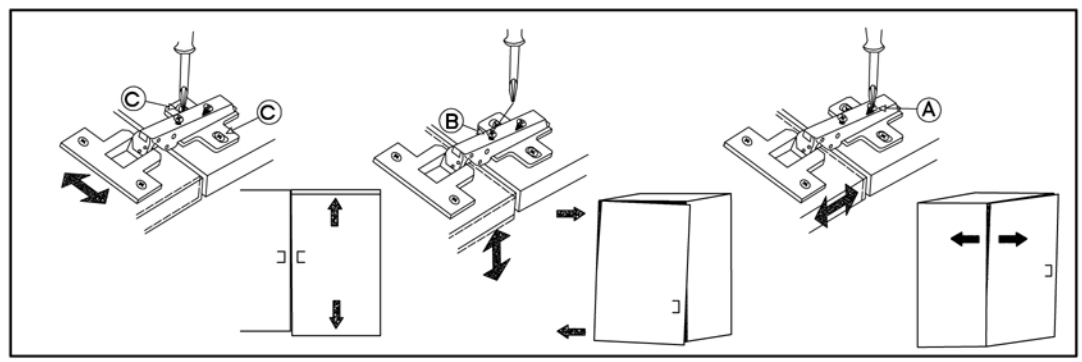
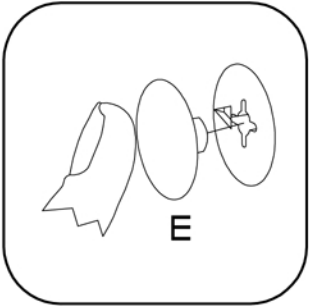
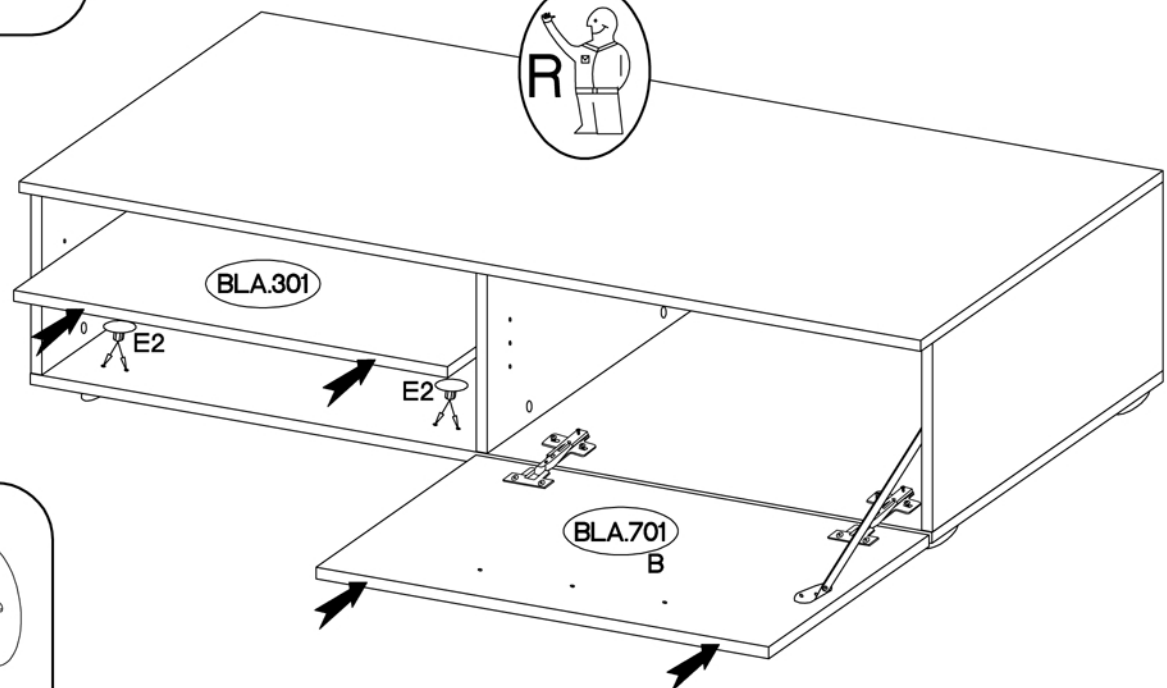
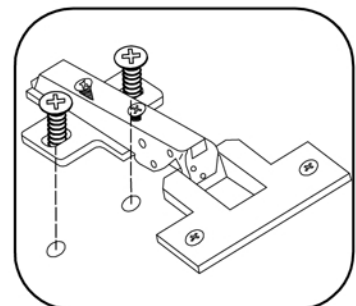
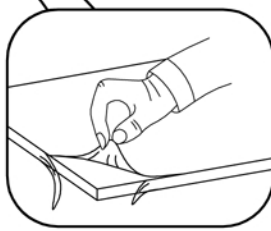
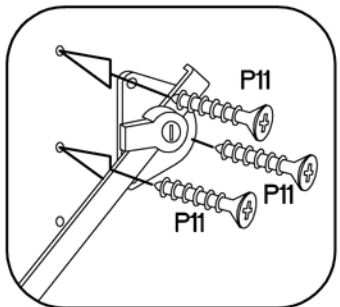
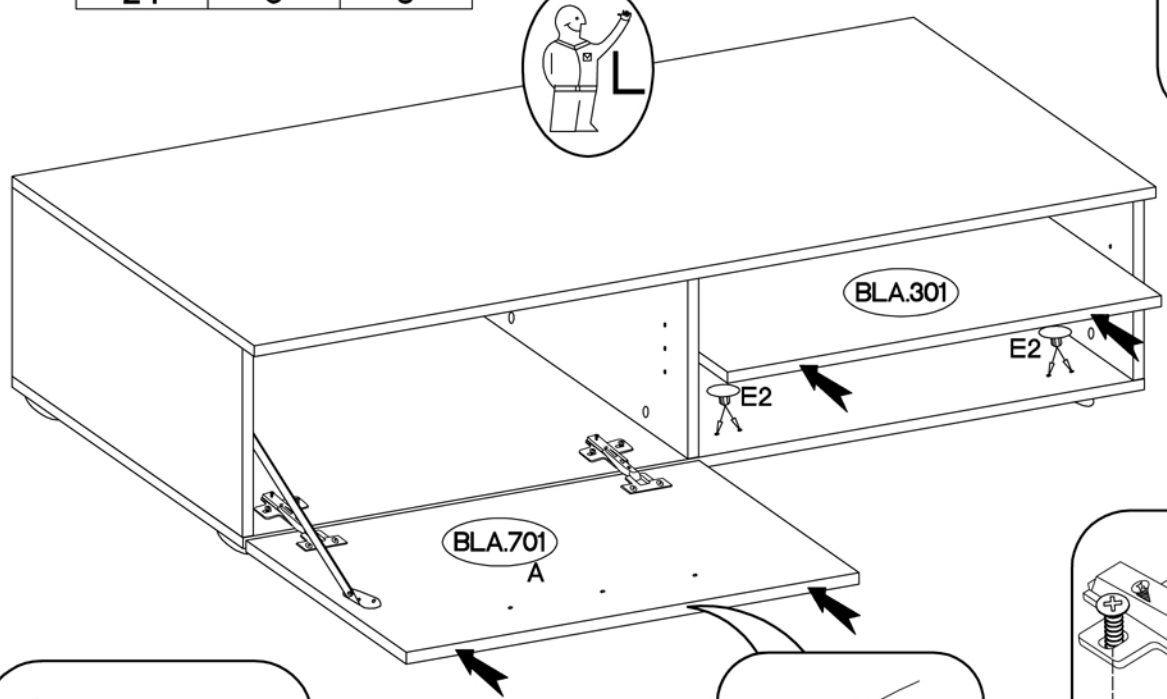
6



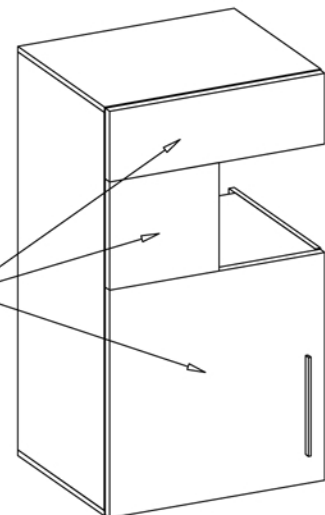
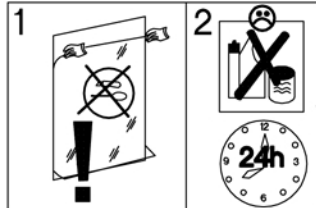
7



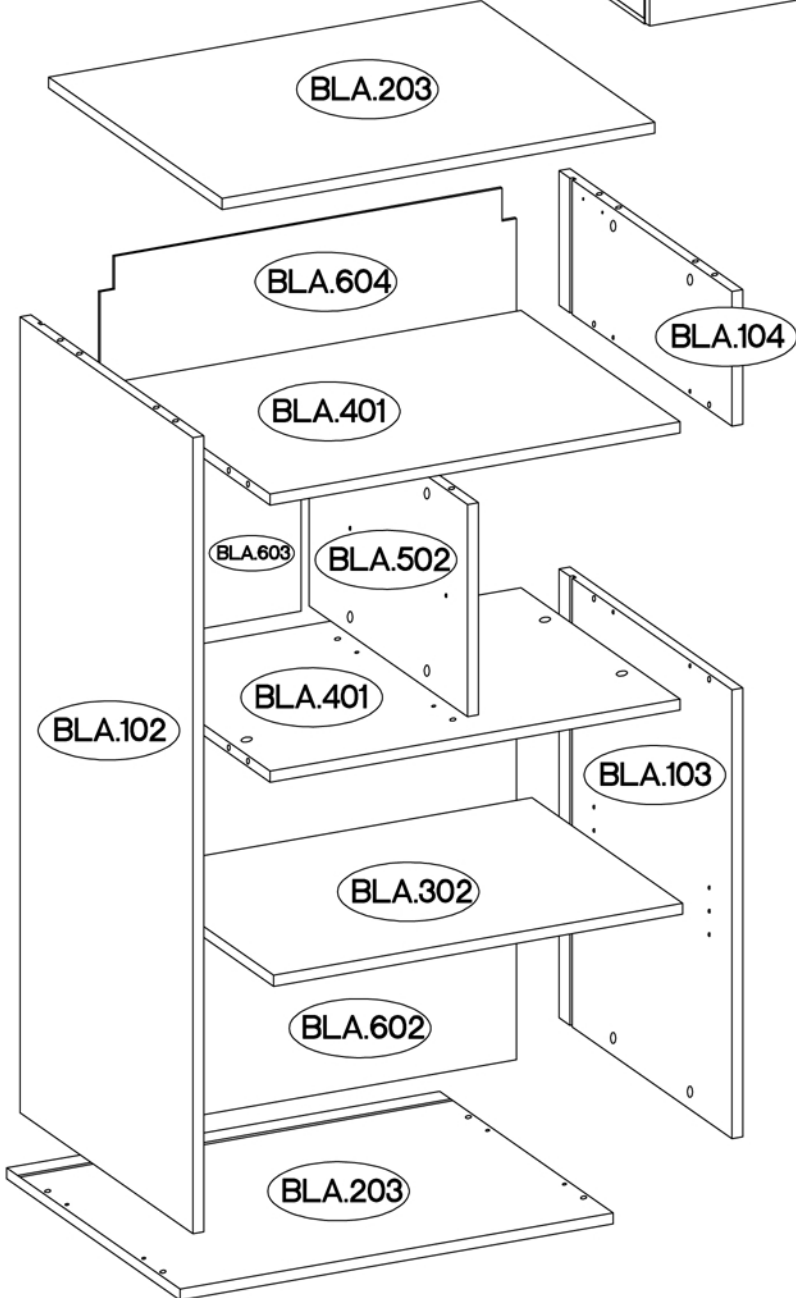
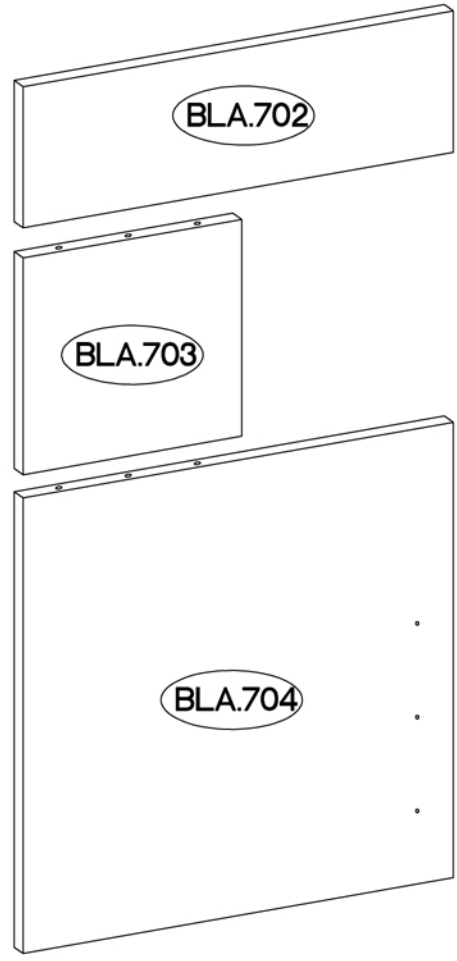
	±3.0x16mm 	±5 
E	P11	E2
24	6	8








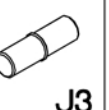

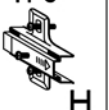




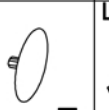





BELTON Typ 531






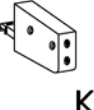

BLA.203
BLA.302 = max. 5kg
BLA.401

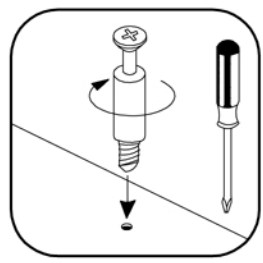
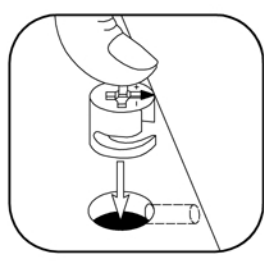
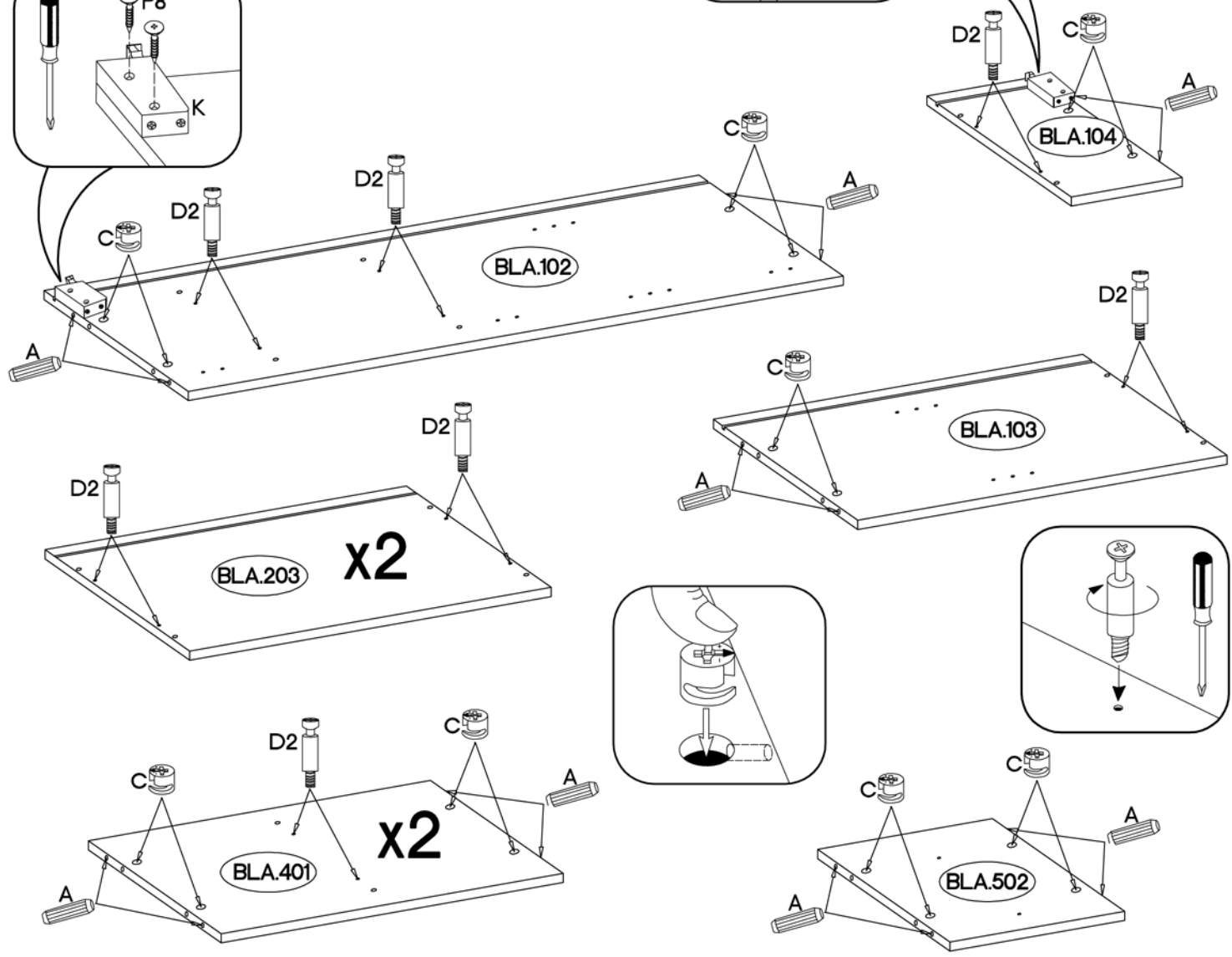
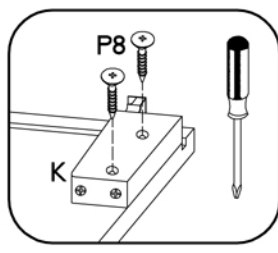
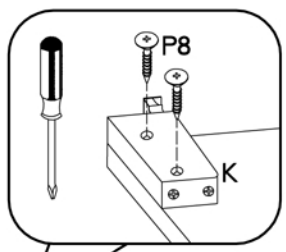


2B :



								
2	4	2	2	6	4	3	3	6
								
20	20	20	16	1	3	1	6	8

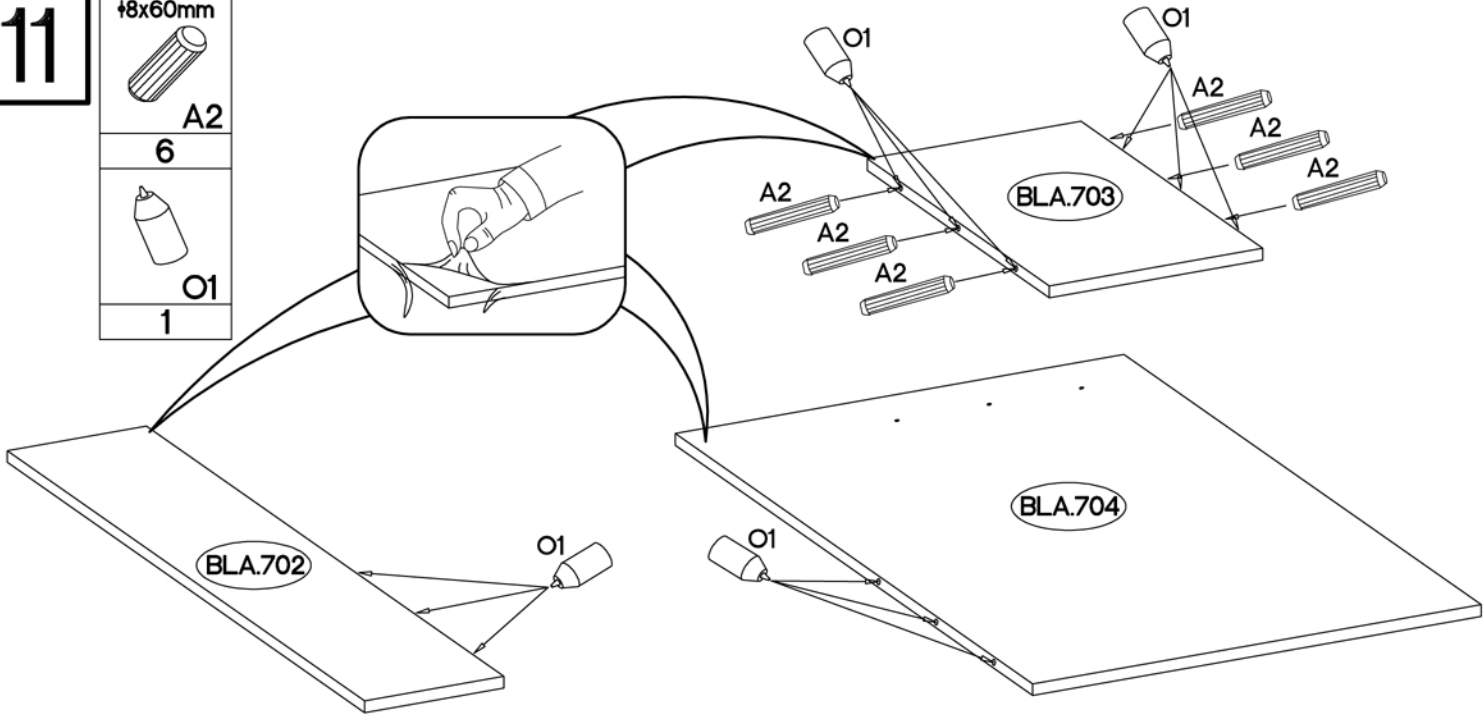
10

$\pm 15/12\text{mm}$	$\pm 8 \times 30\text{mm}$	L=20mm		$\pm 4.0 \times 30\text{mm}$
				
C	A	D2	K	P8
20	20	20	2	4

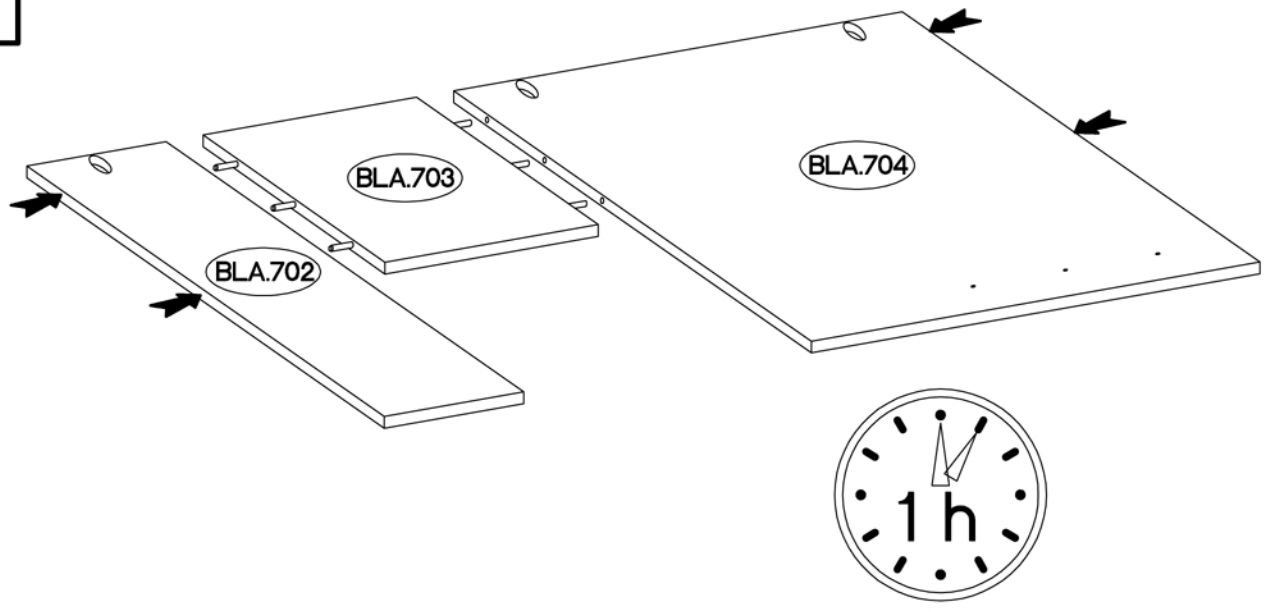


11

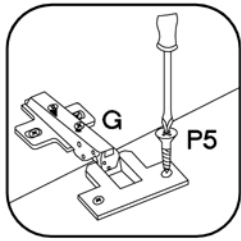
$\pm 8 \times 60\text{mm}$

A2
6

O1
1



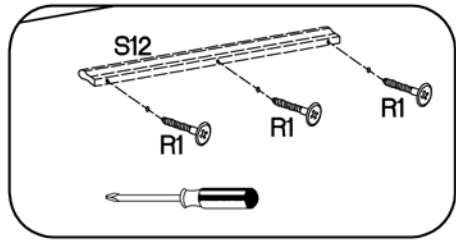
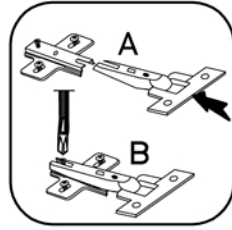
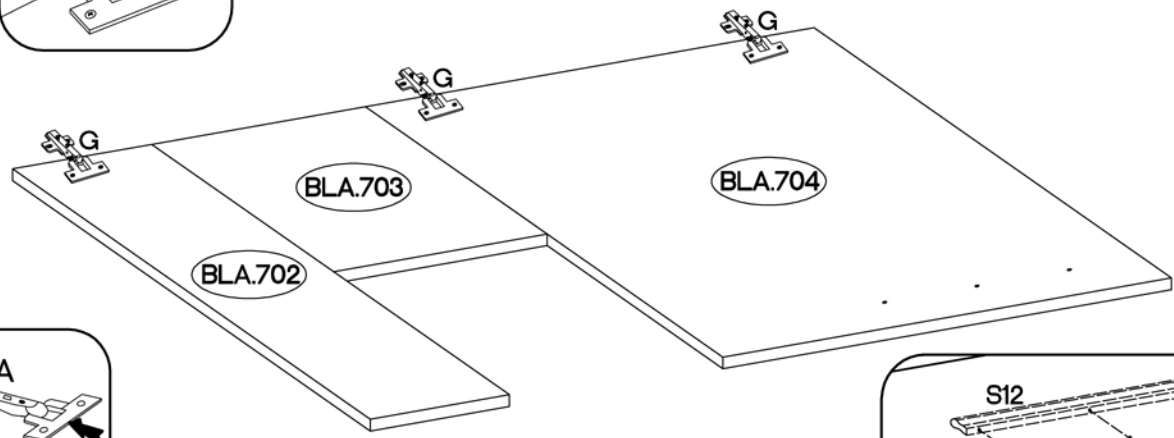
12



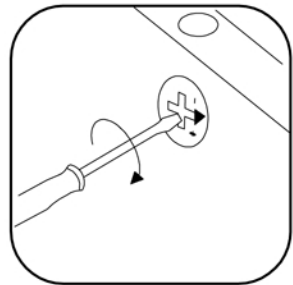
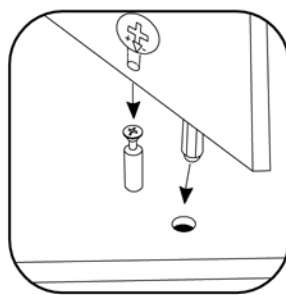
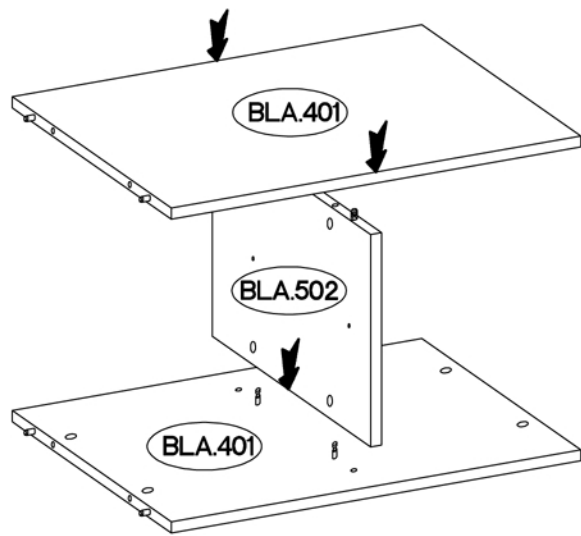
13



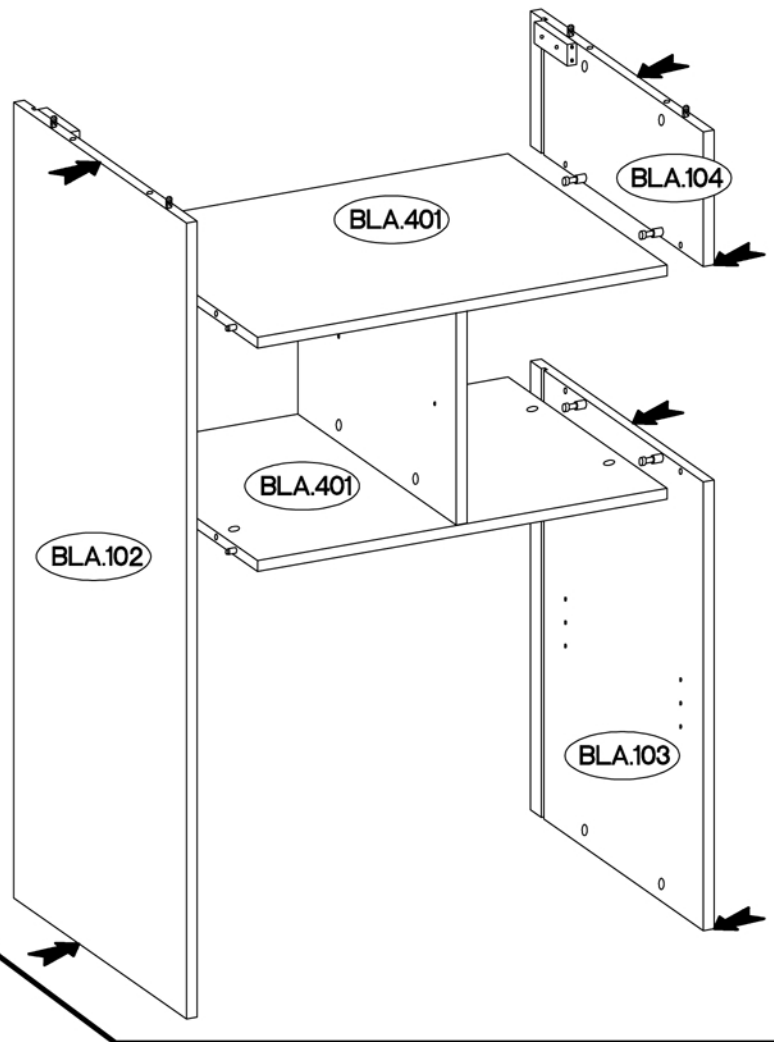
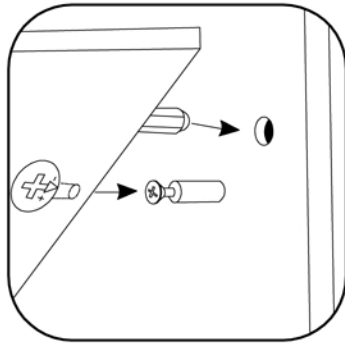
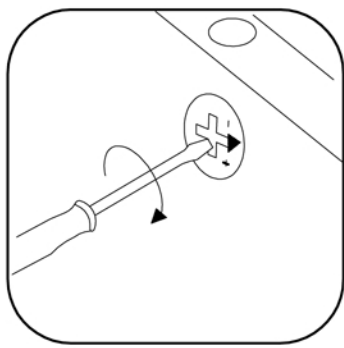
L=2x128mm	4.0x27mm	35/0mm	H=0	3.5x13mm
S12	R1	G	H	P5
1	3	3	3	6



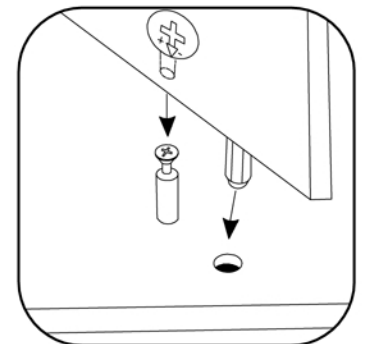
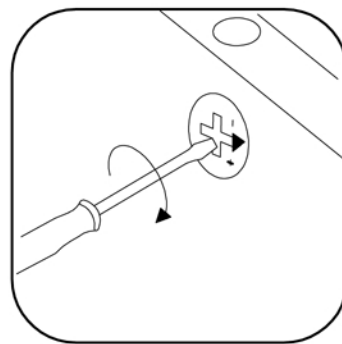
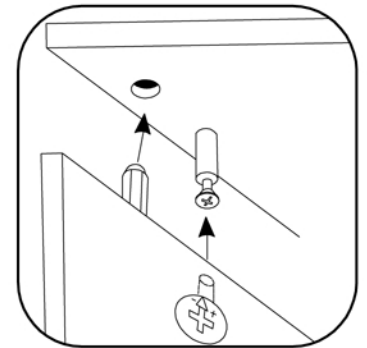
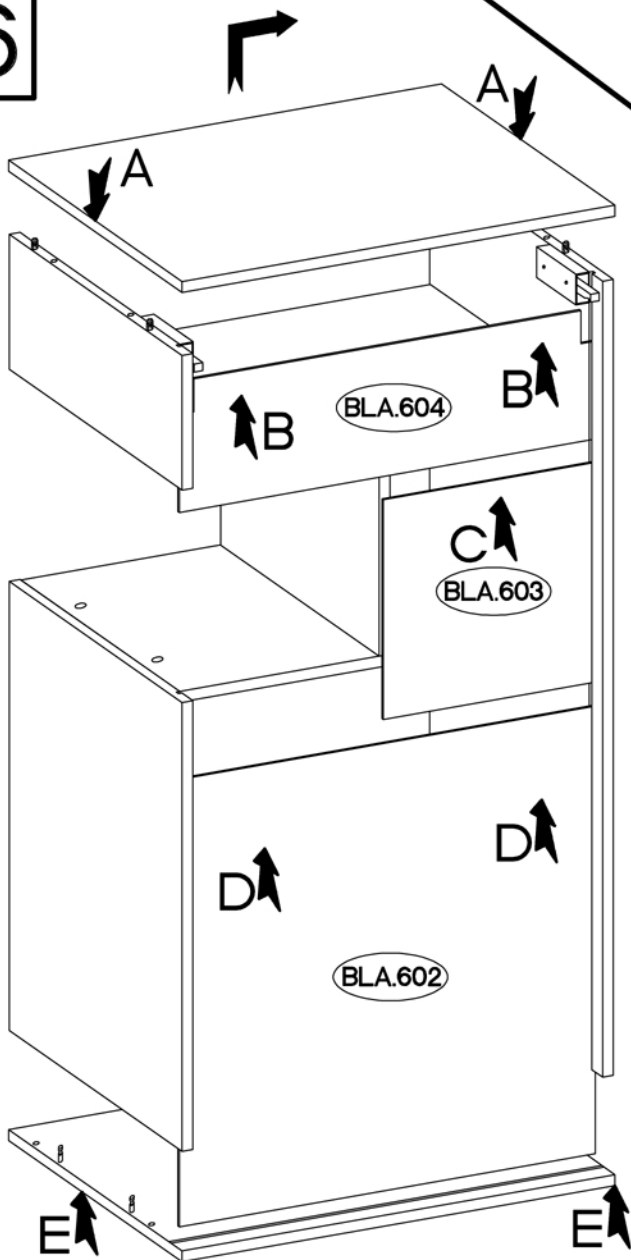
14



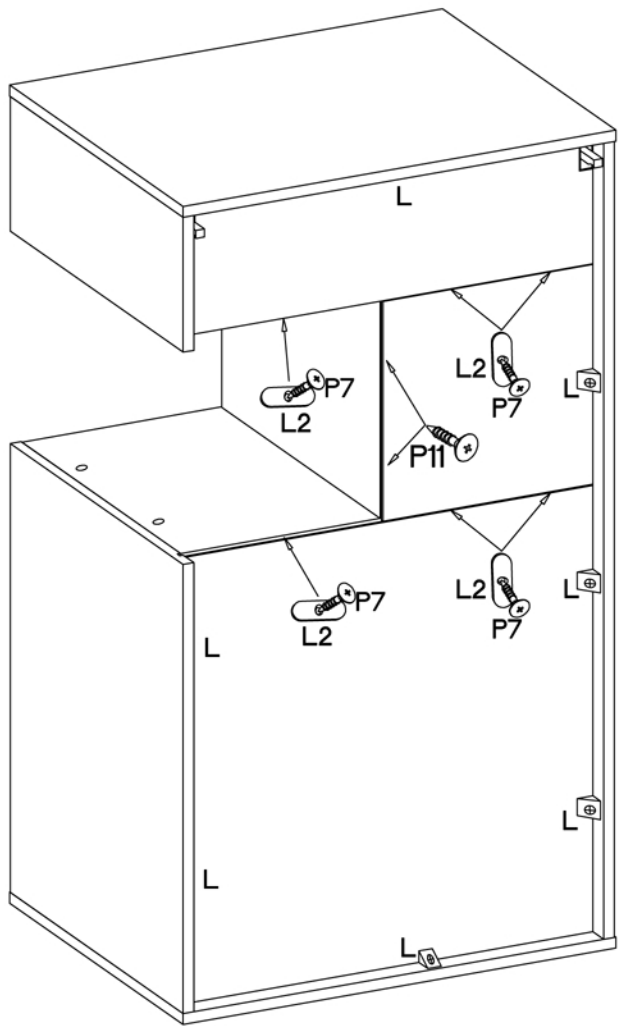
15



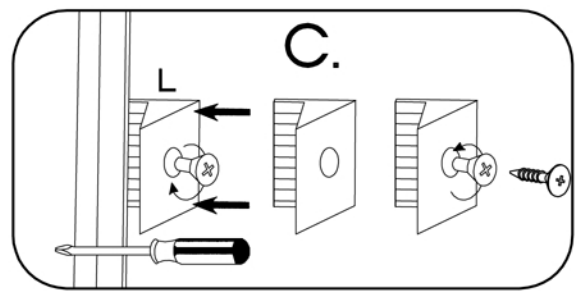
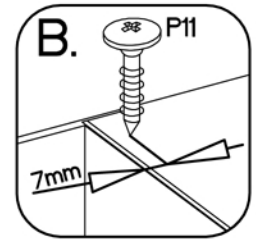
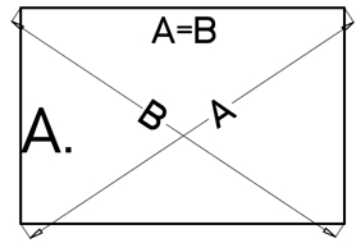
16



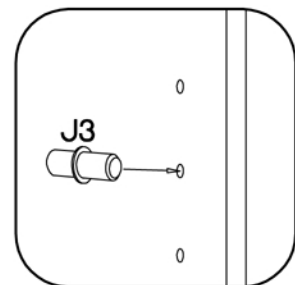
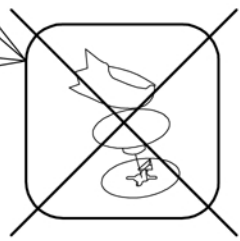
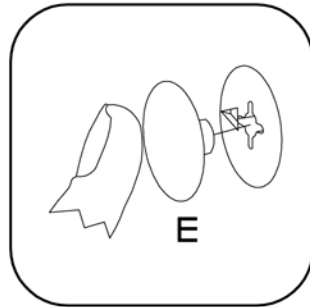
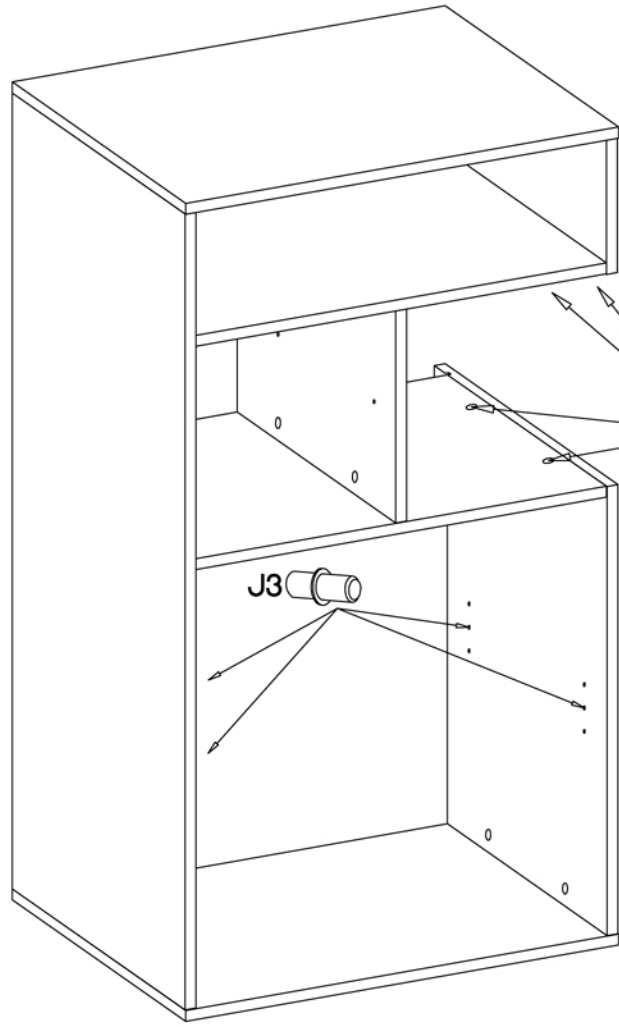
17



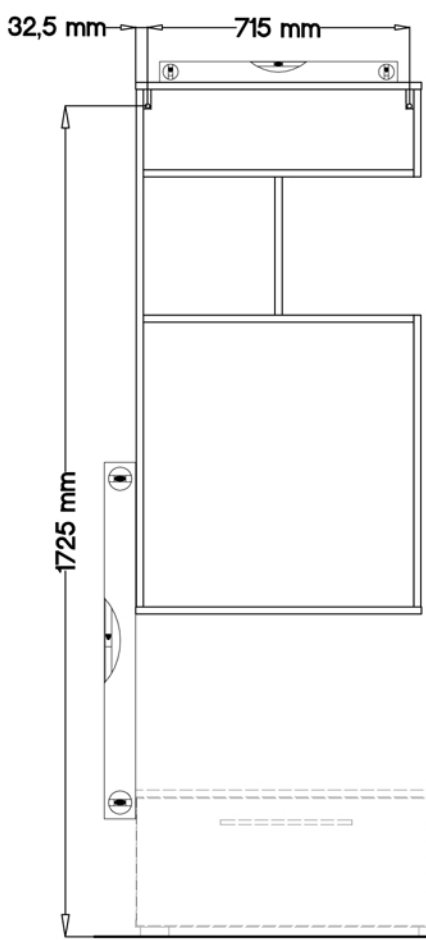
		+3.0x20mm
L2	L	P7
6	7	8



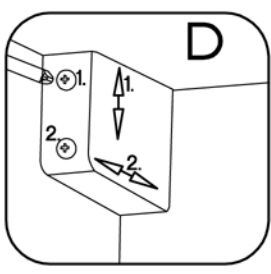
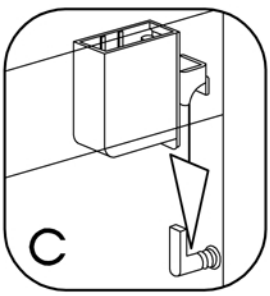
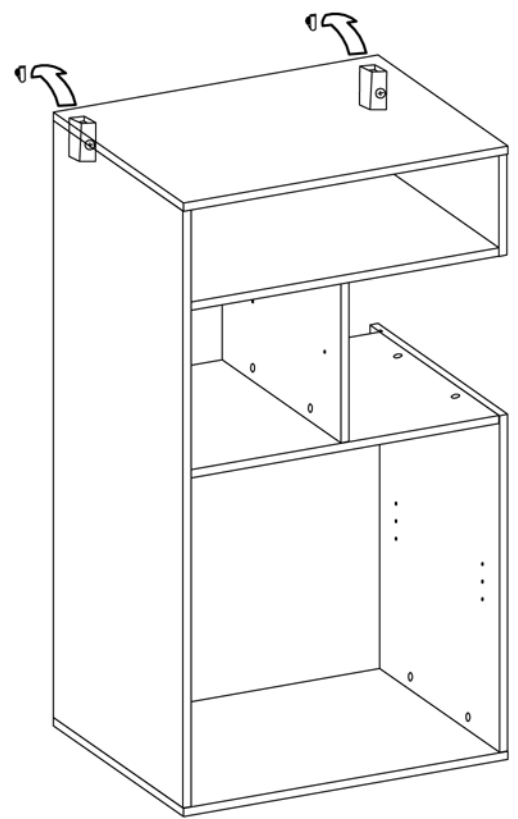
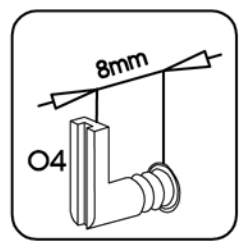
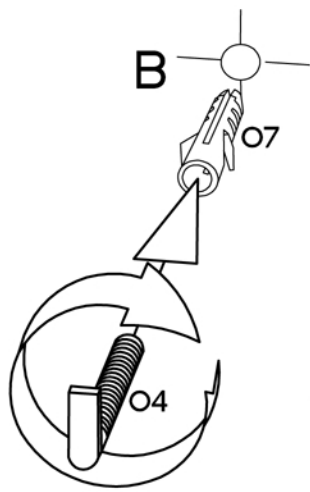
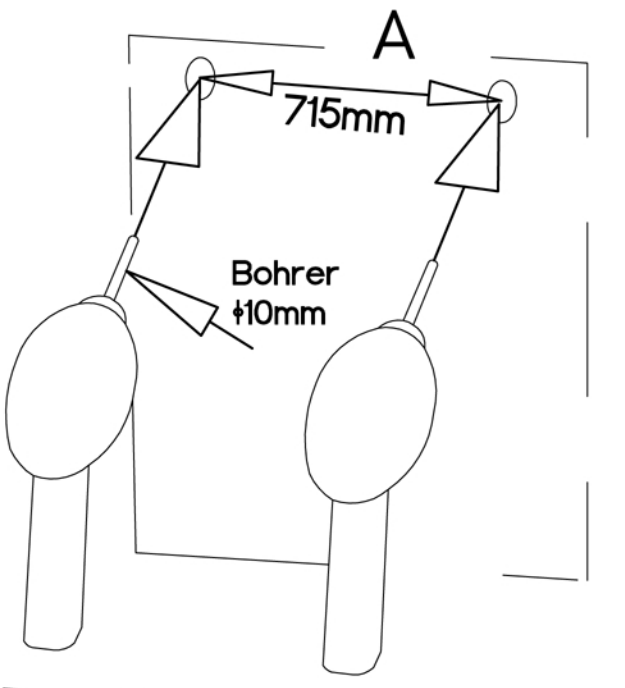
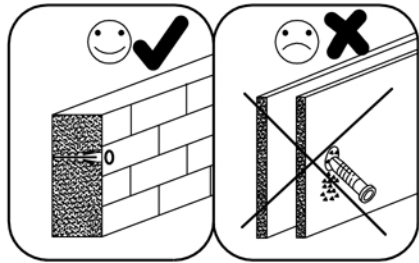
18

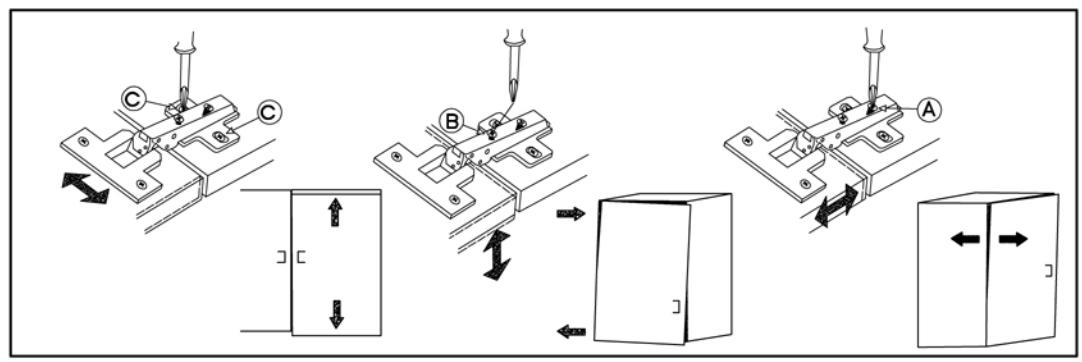
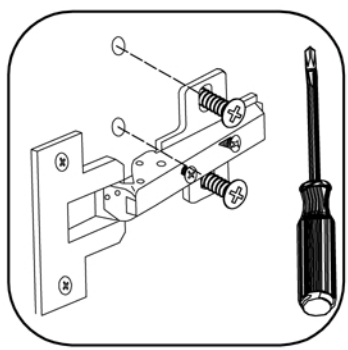
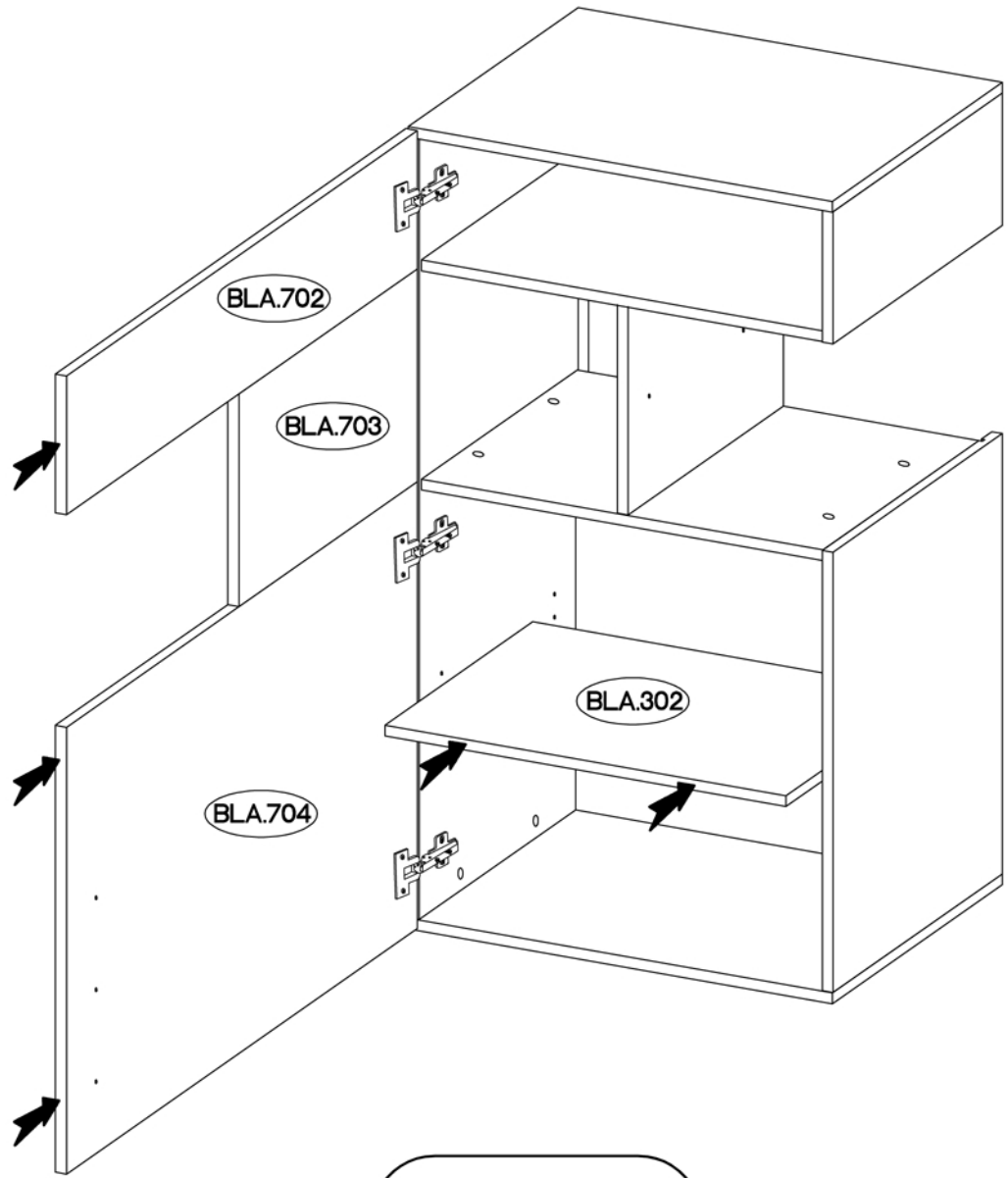


E	J3
16	4



6,5/68mm	$\pm 10 \times 50$ mm
O4	O7
2	2

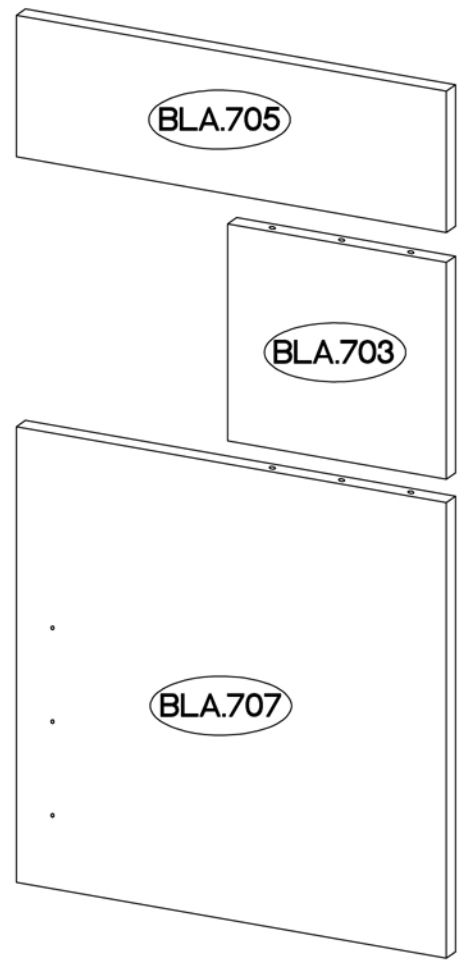
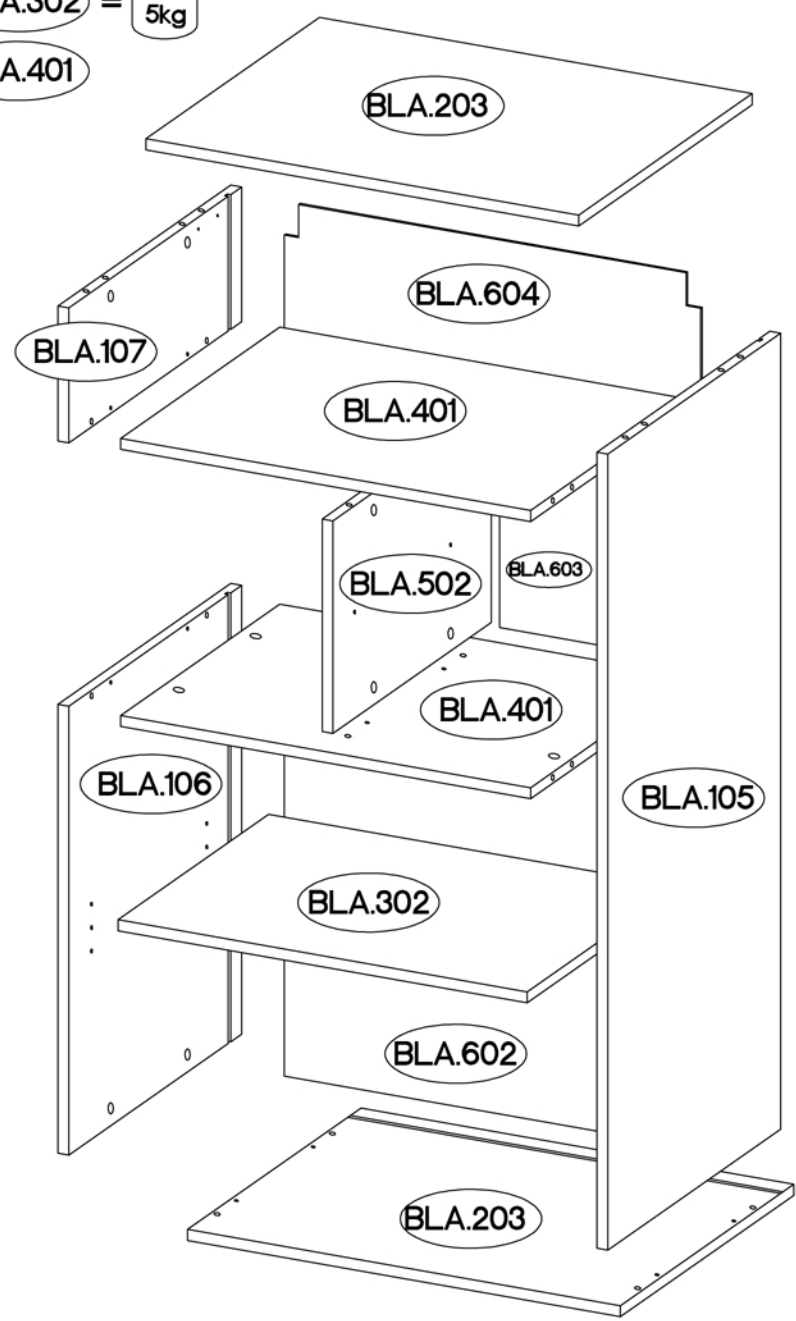
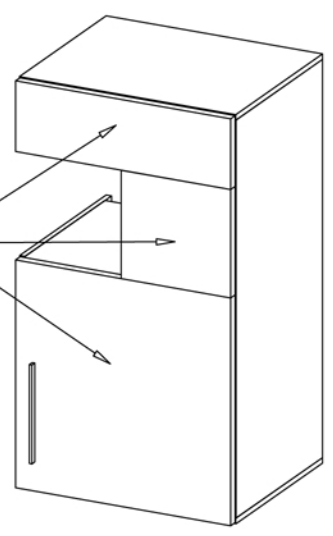
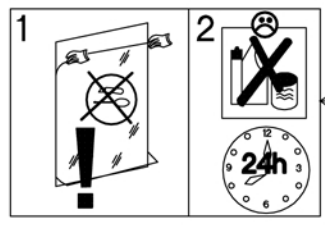




BELTON

Typ 533

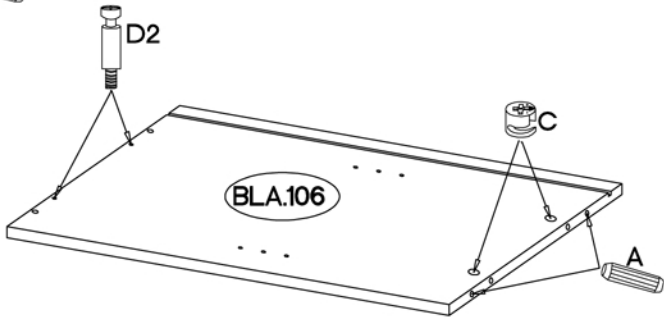
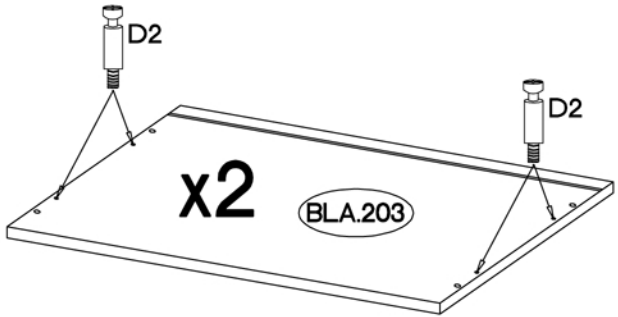
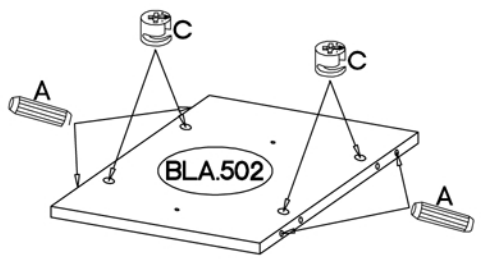
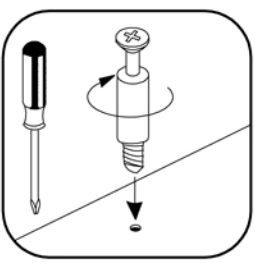
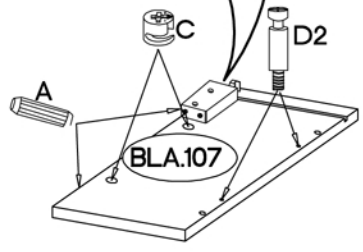
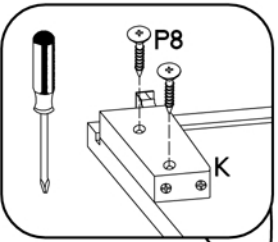
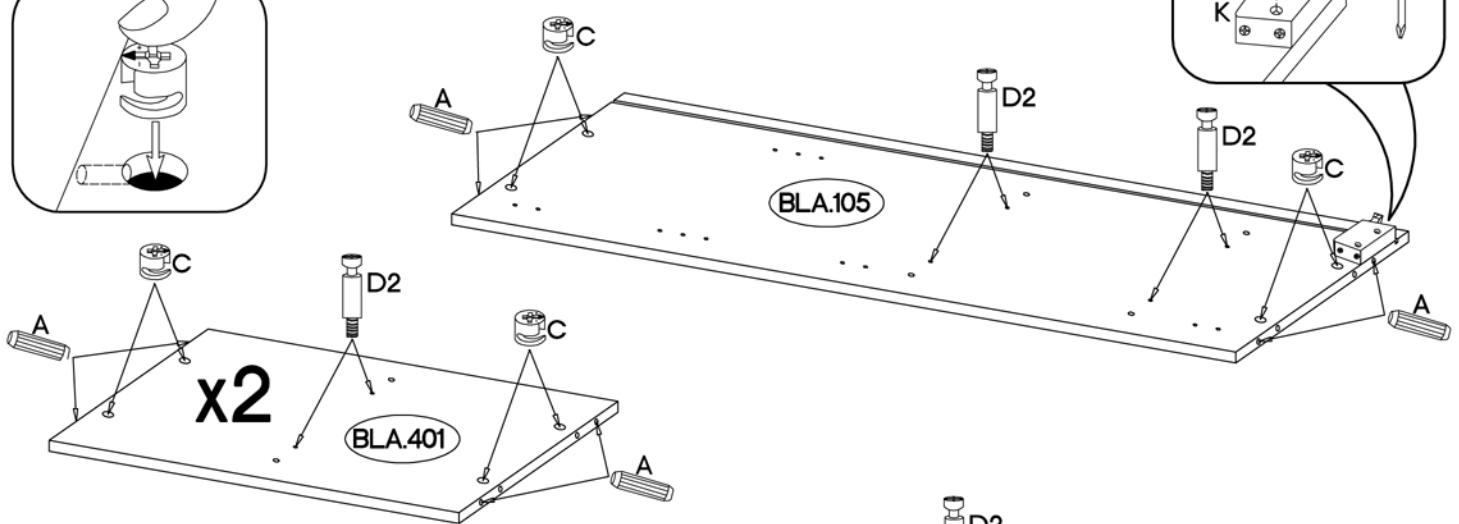
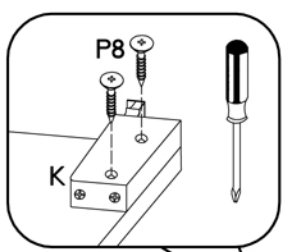
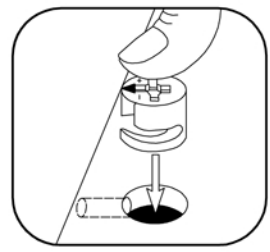
- BLA.203
- BLA.302 = max. 5kg
- BLA.401



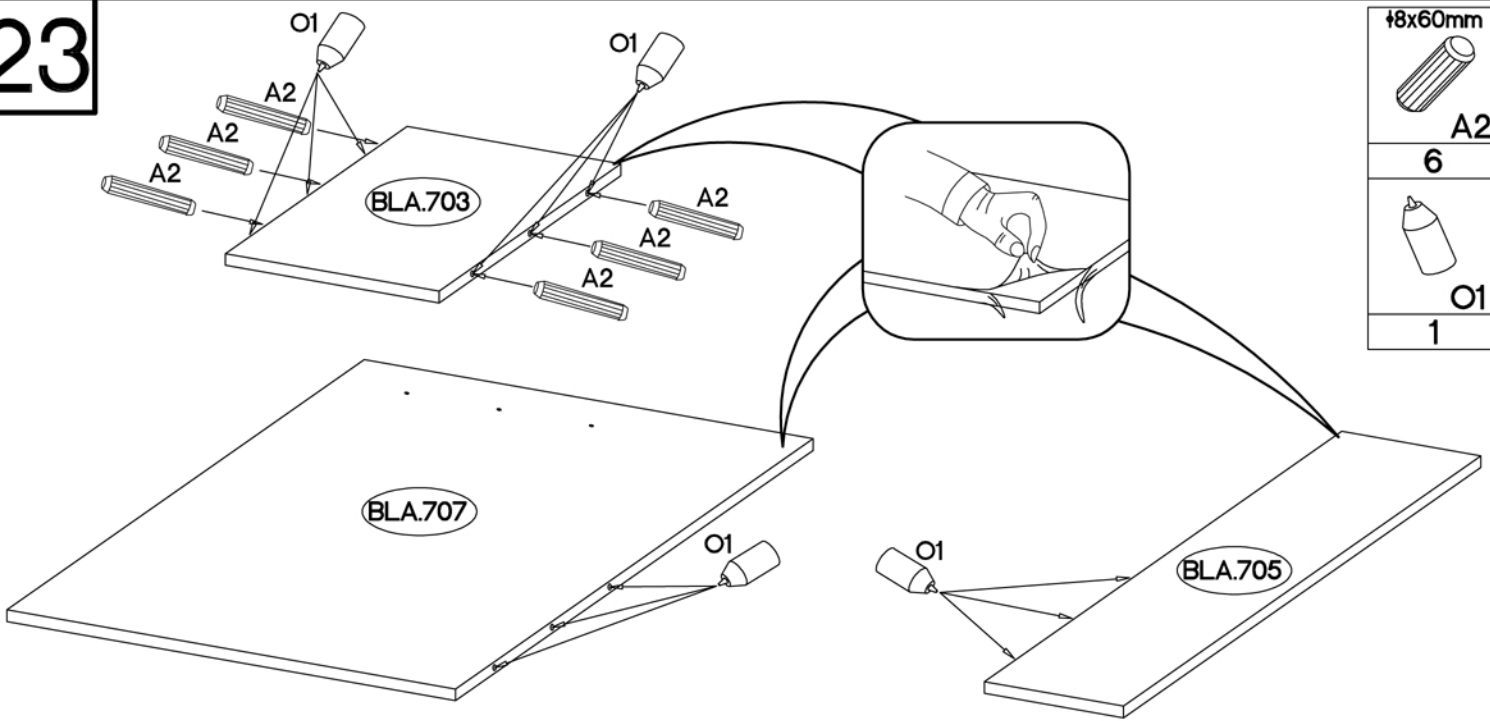
3B :

	+4.0x30mm P8	6,5/68mm O4	+10x50mm O7	+8x60mm A2		+35/0mm G	H=0 H	+3.5x13mm P5
2	4	2	2	6	4	3	3	6
+15/12mm C	+8x30mm A	L=20mm D2		L=2x128mm S12	+4.0x27mm R1			+3.0x20mm P7
20	20	20	16	1	3	1	6	8

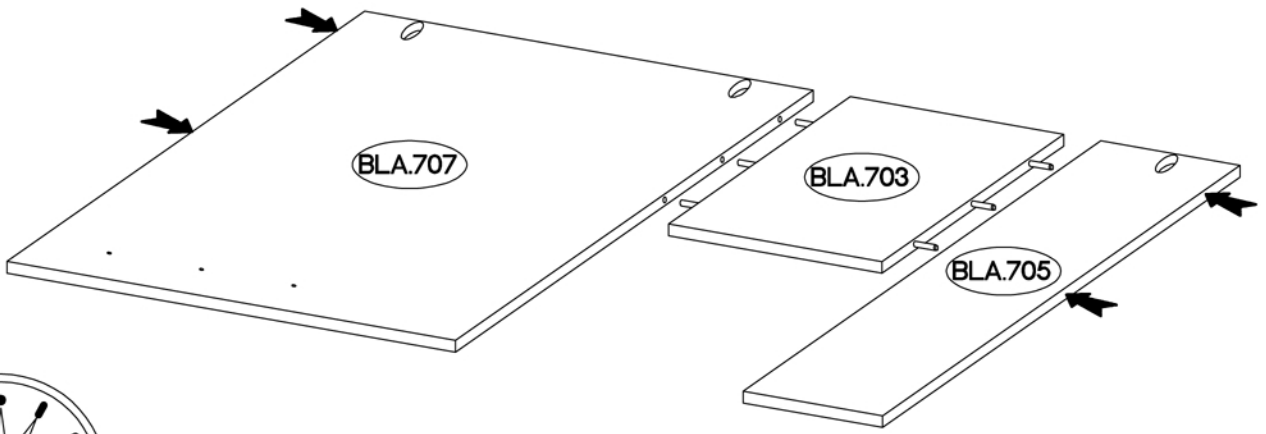
$\pm 15/12\text{mm}$	$\pm 8 \times 30\text{mm}$	L=20mm		$\pm 4.0 \times 30\text{mm}$
C	A	D2	K	P8
20	20	20	2	4



$\pm 8 \times 60\text{mm}$
A2
6
O1
1

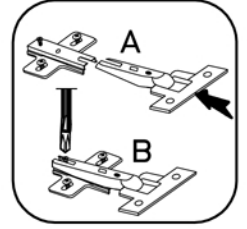
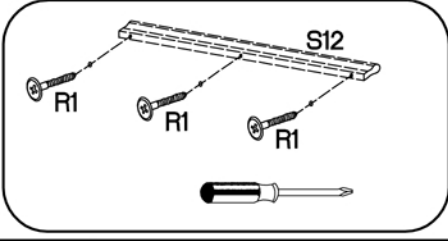
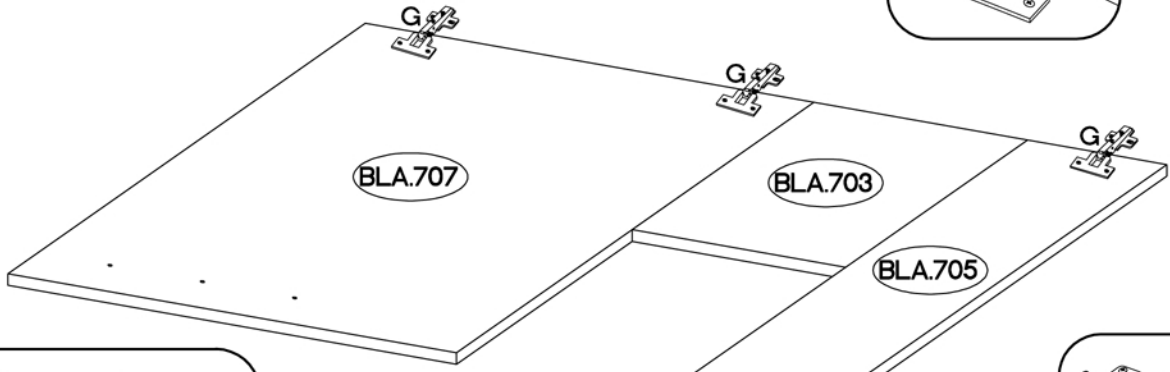
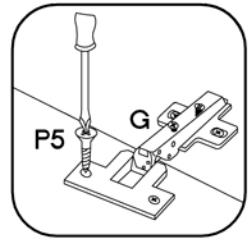


24

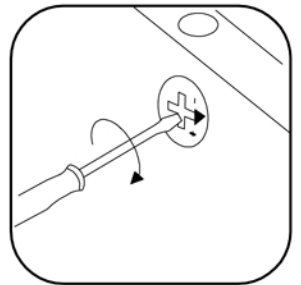
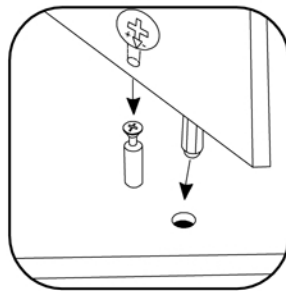
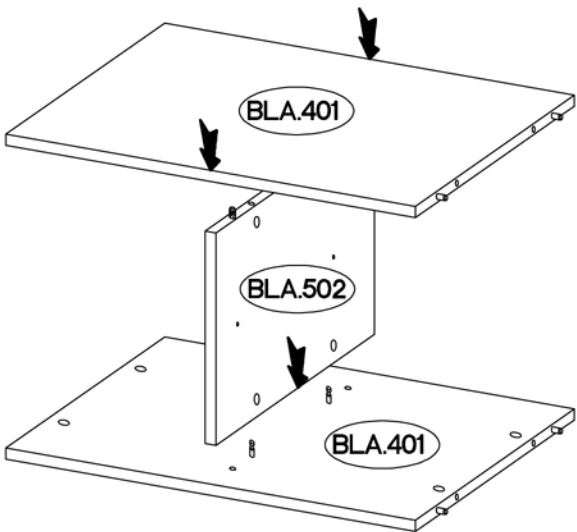


25

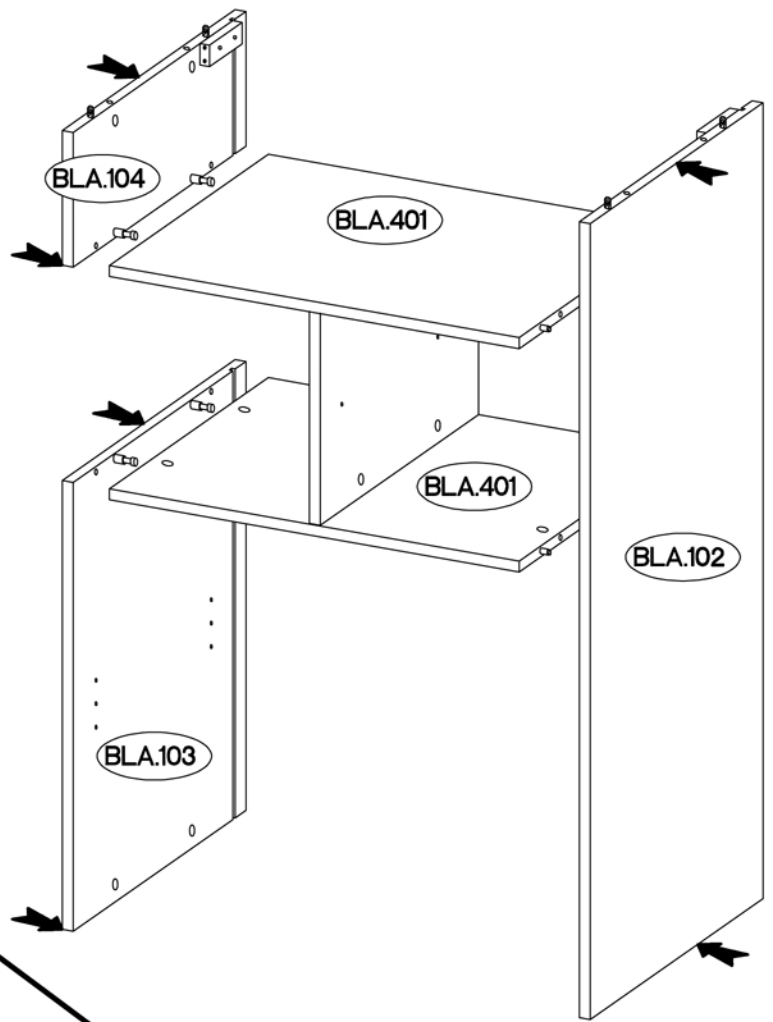
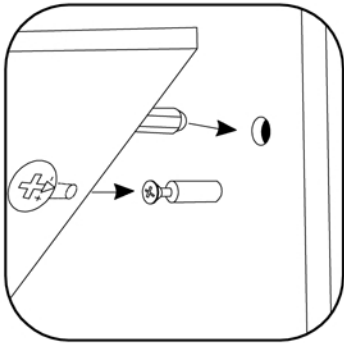
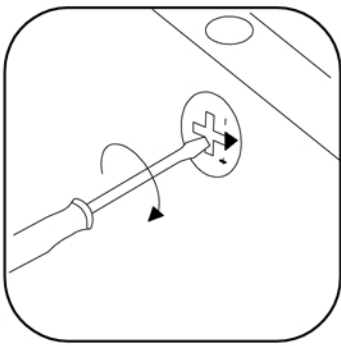
L=2x128mm	4.0x27mm	35/0mm	H=0	3.5x13mm
S12	R1	G	H	P5
1	3	3	3	6



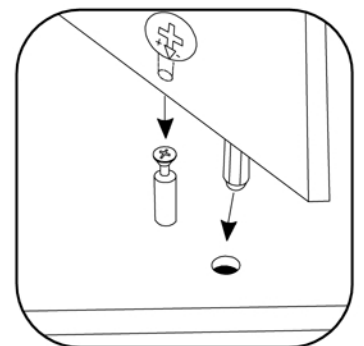
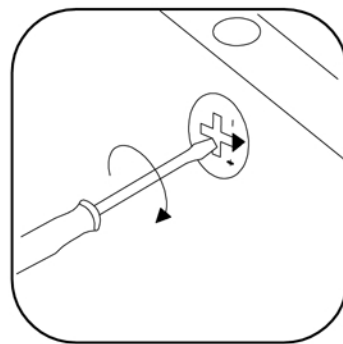
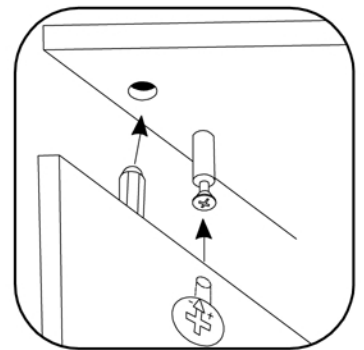
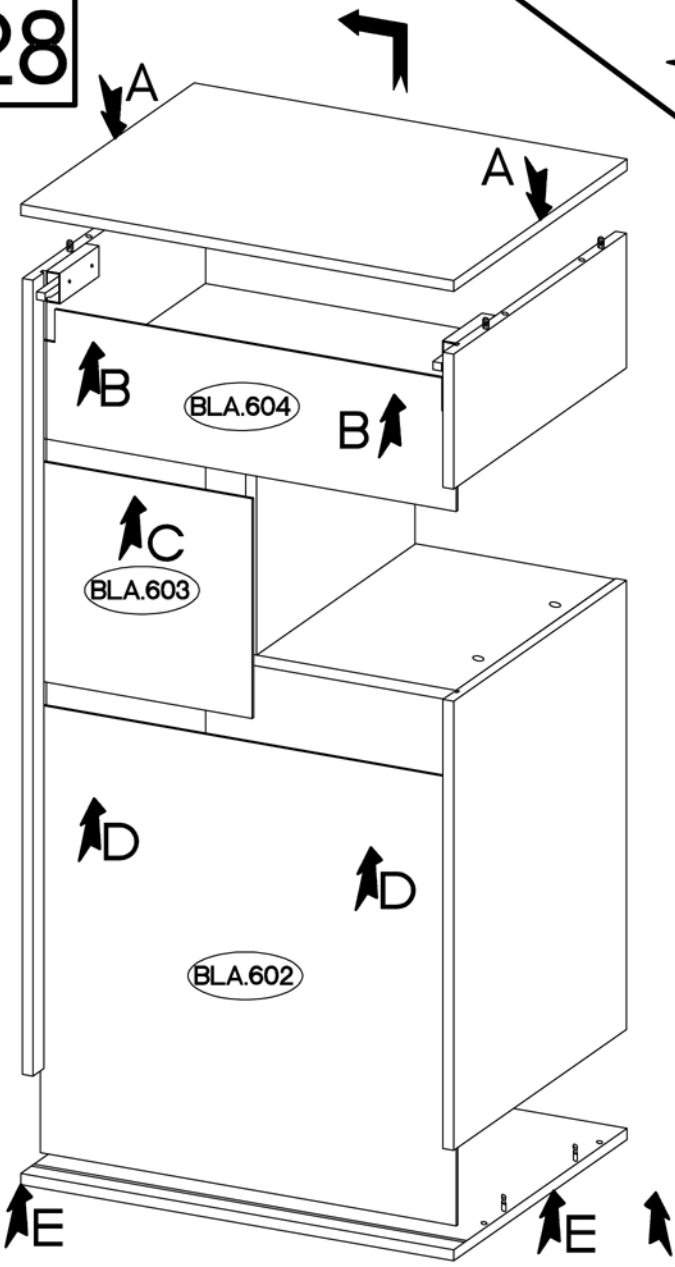
26



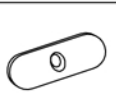
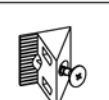

27

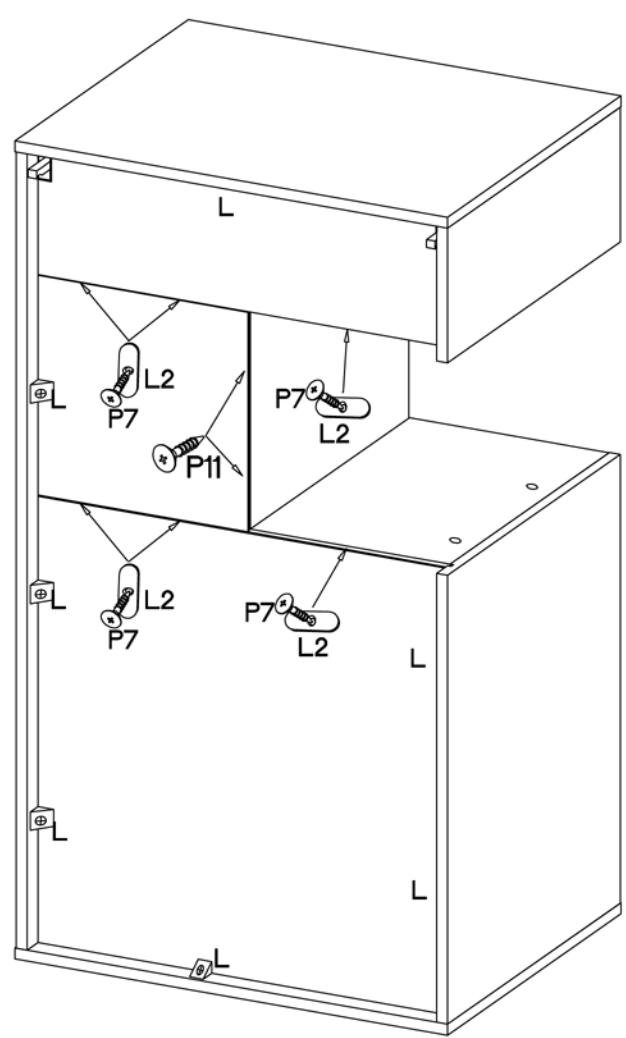
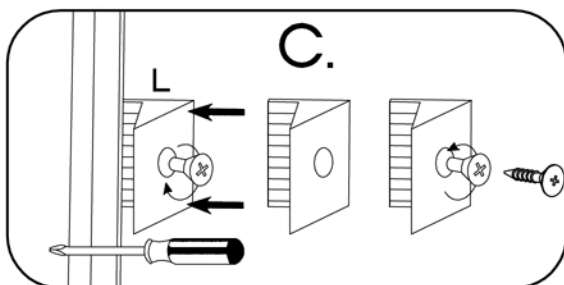
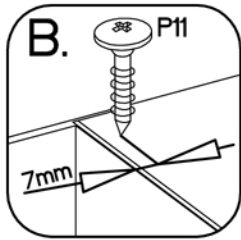
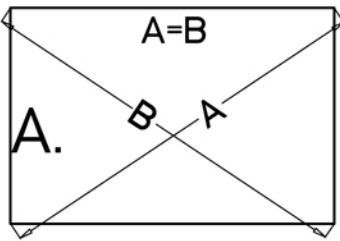


28





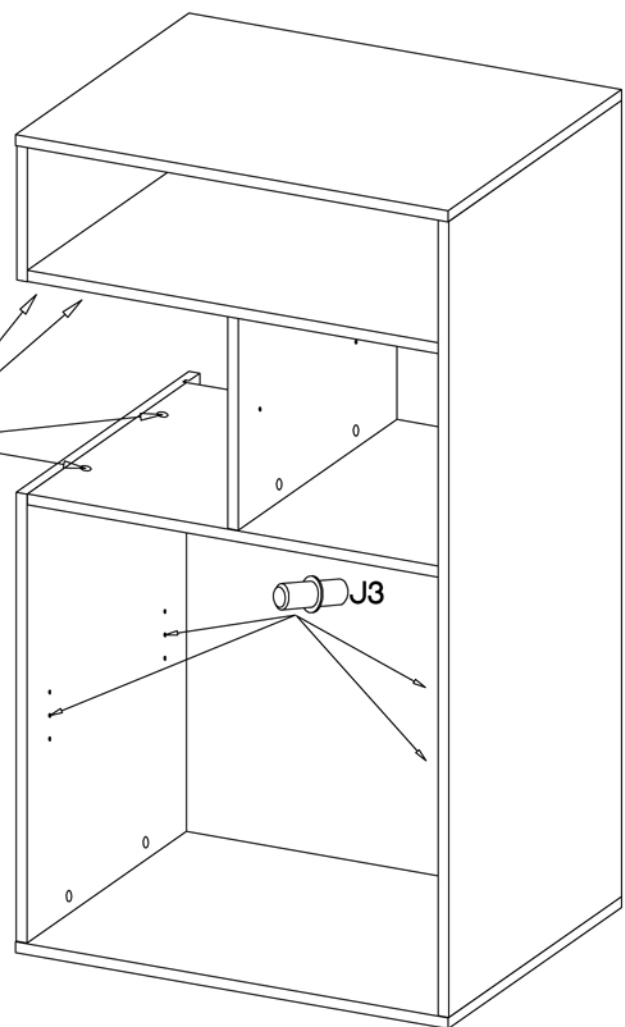
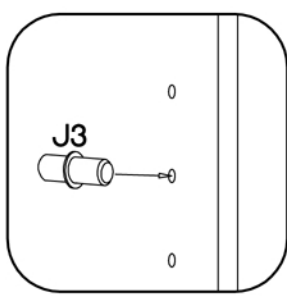
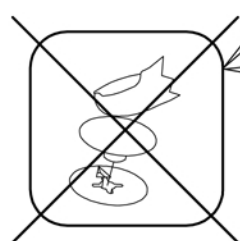
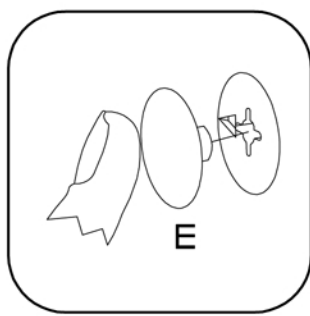
29

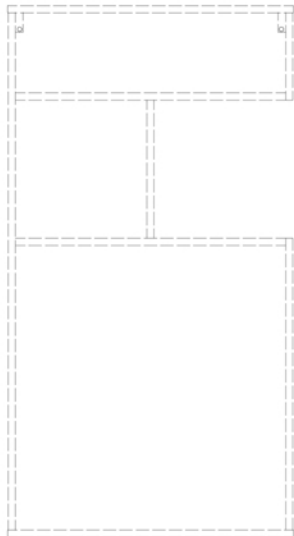
		$\varnothing 3.0 \times 20 \text{mm}$ 
L2	L	P7
6	7	8





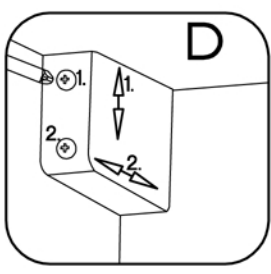
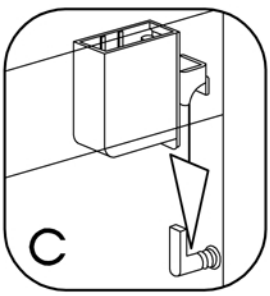
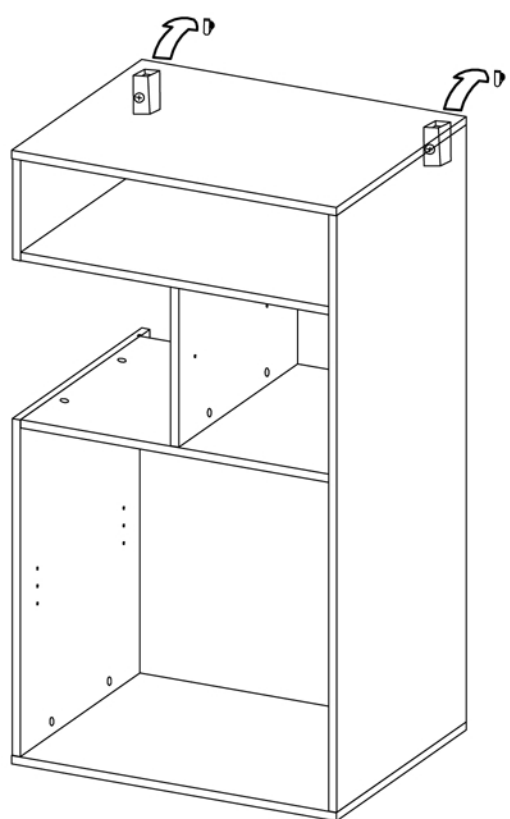
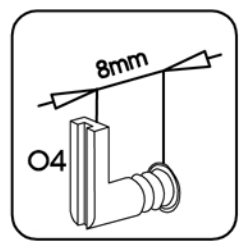
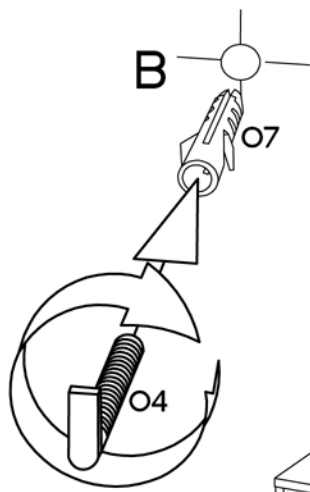
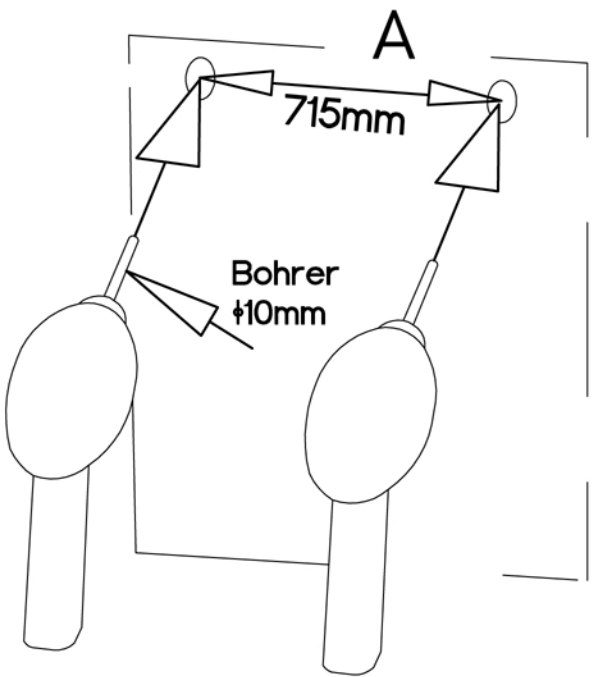
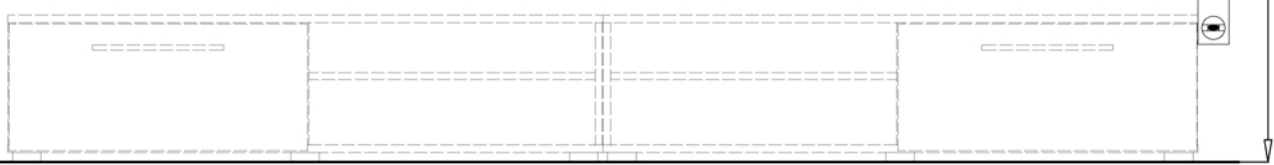
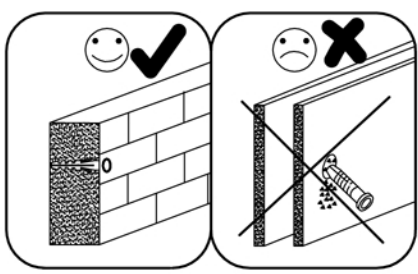
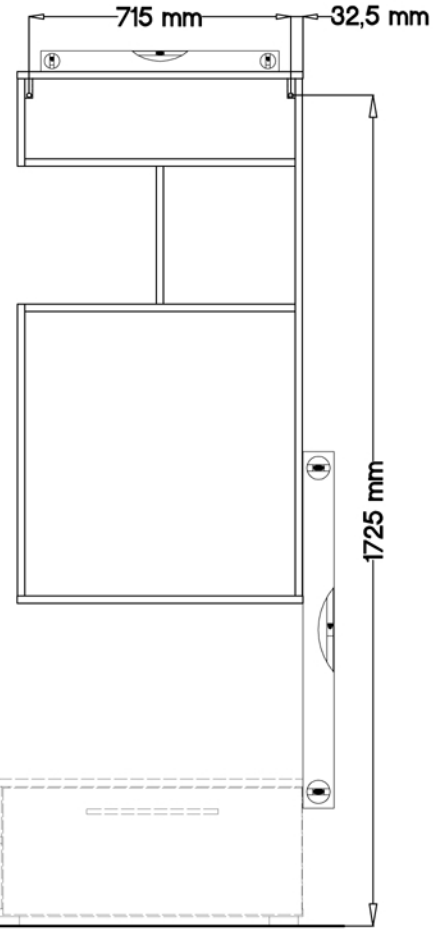
30

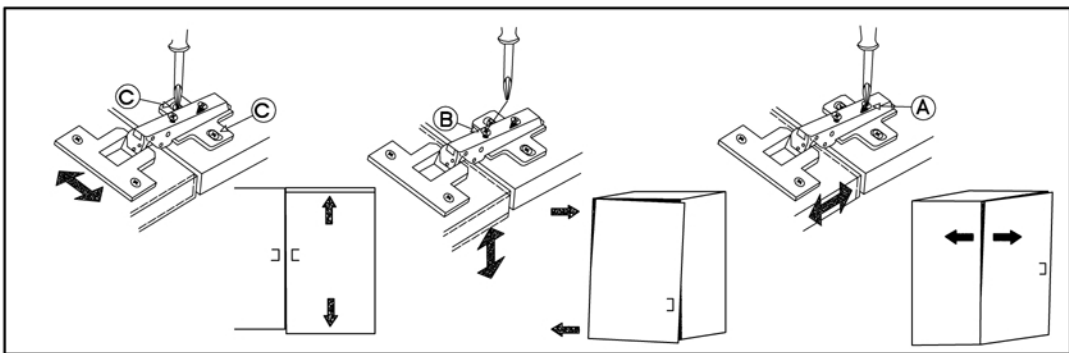
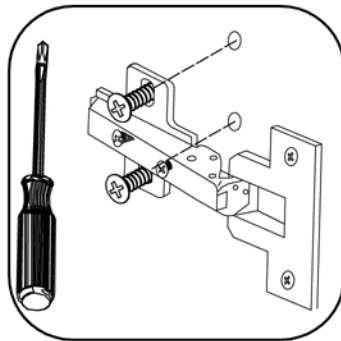
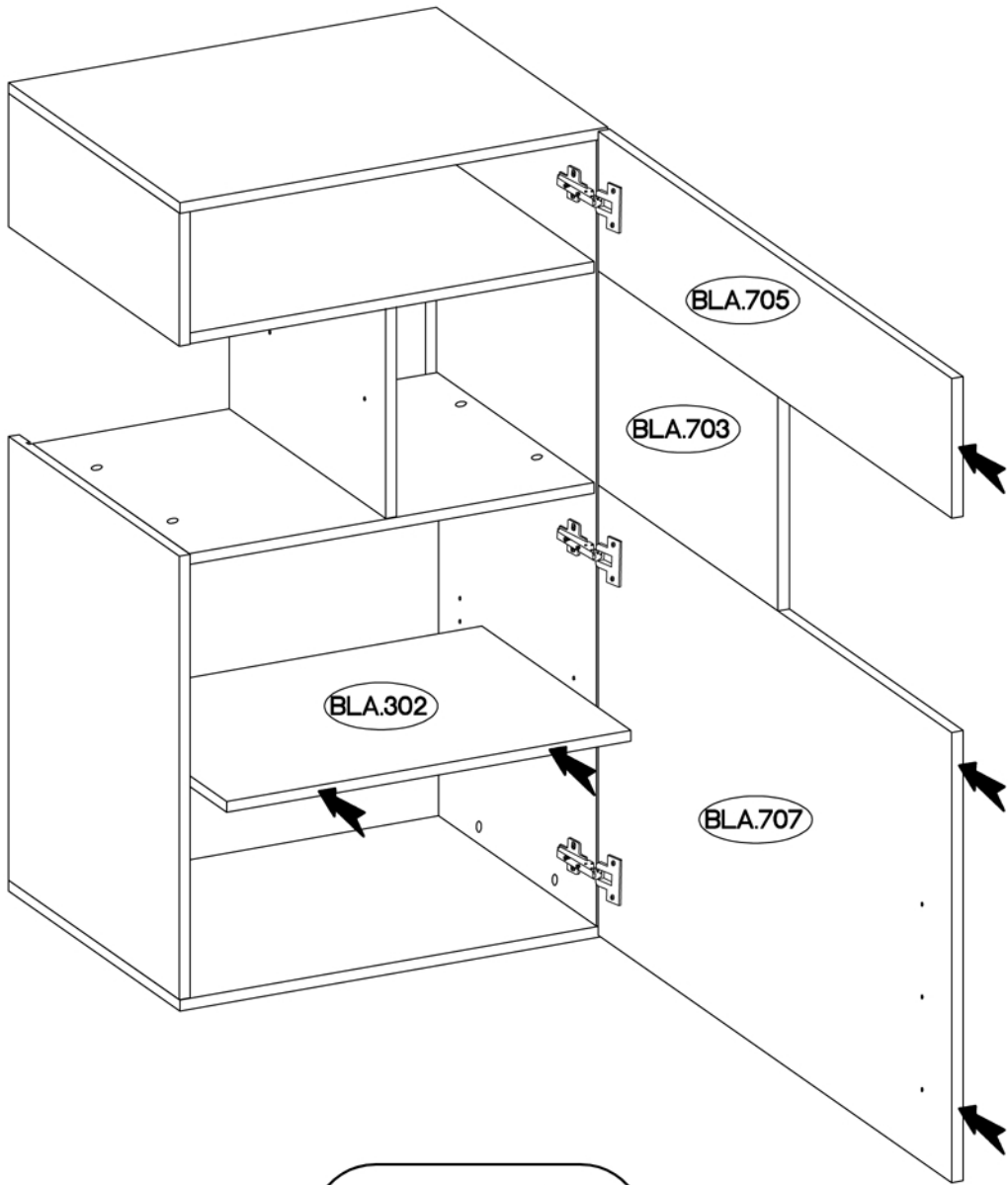
	
E	J3
16	4





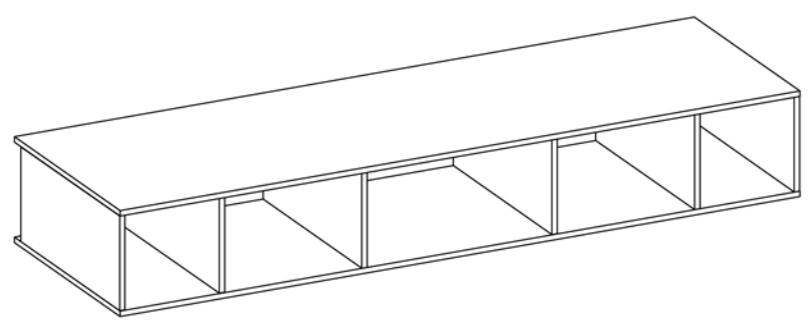
6,5/68mm  O4 2	10x50mm  O7 2
---	--




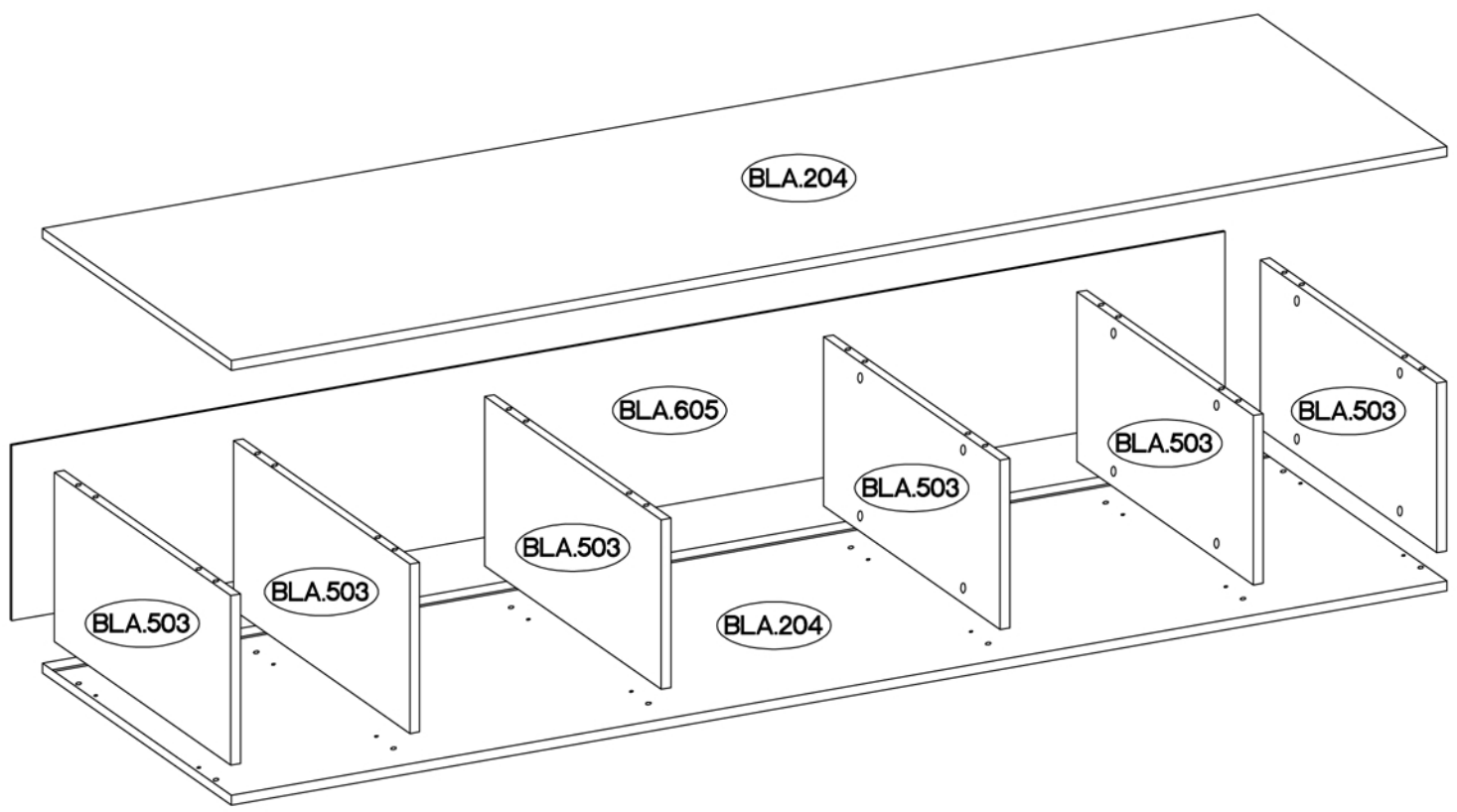


BELTON




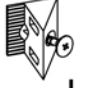



Typ 481






BLA.204 =  max. 2kg

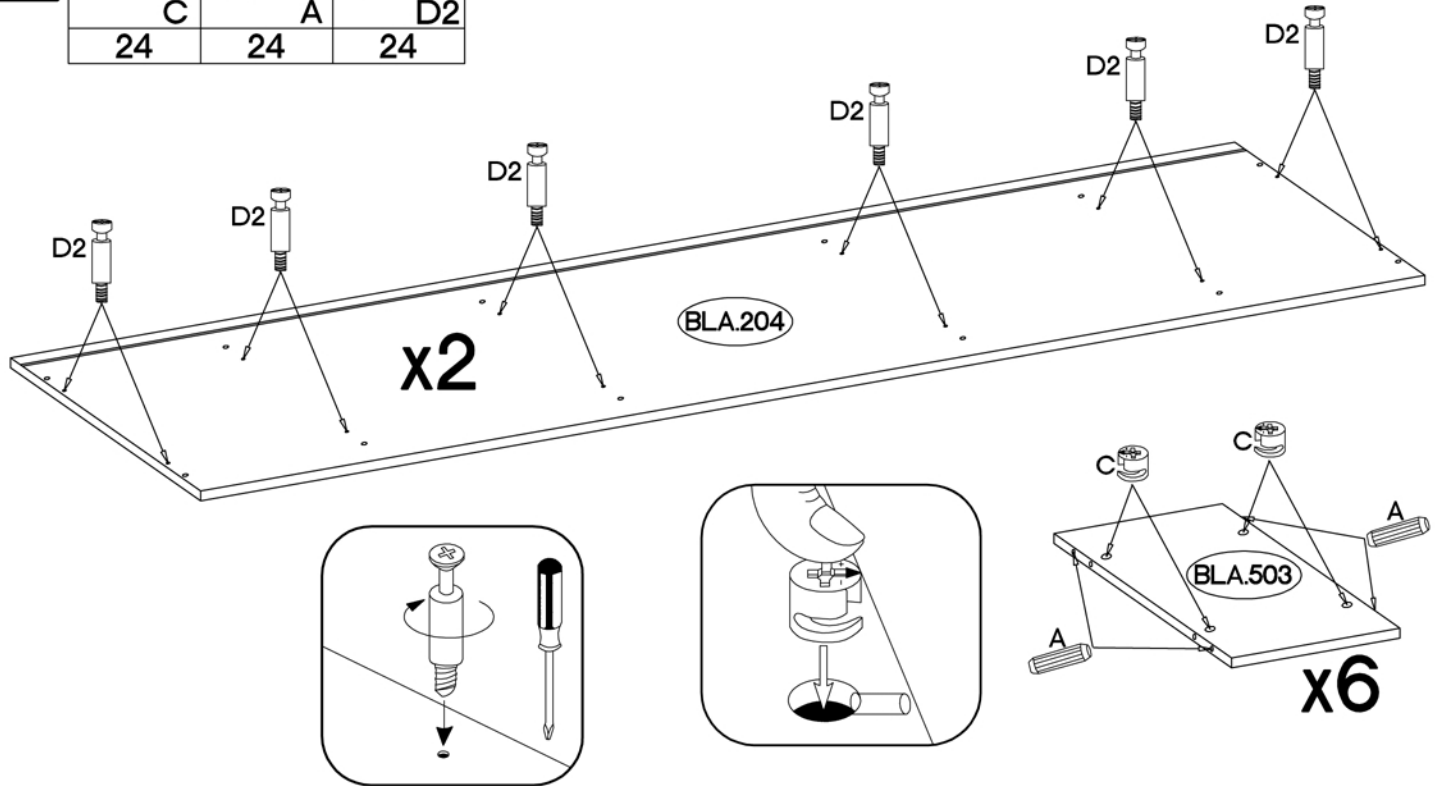


 4B:

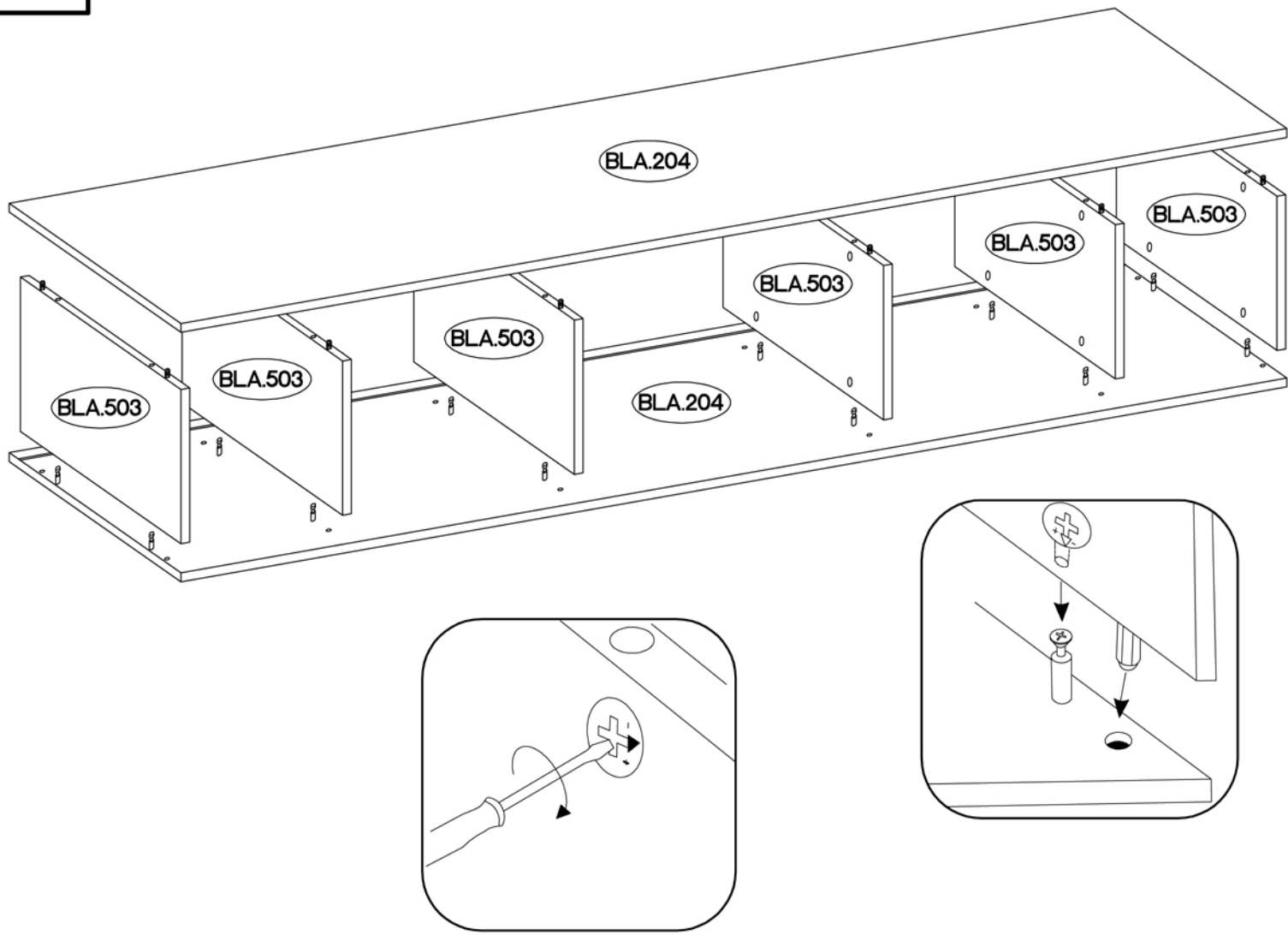
						
†15/12mm	†8x30mm	L=20mm		†4.0x25mm		†3.0x20mm
C	A	D2	L	R	E	P7
24	24	24	6	4	24	4

34

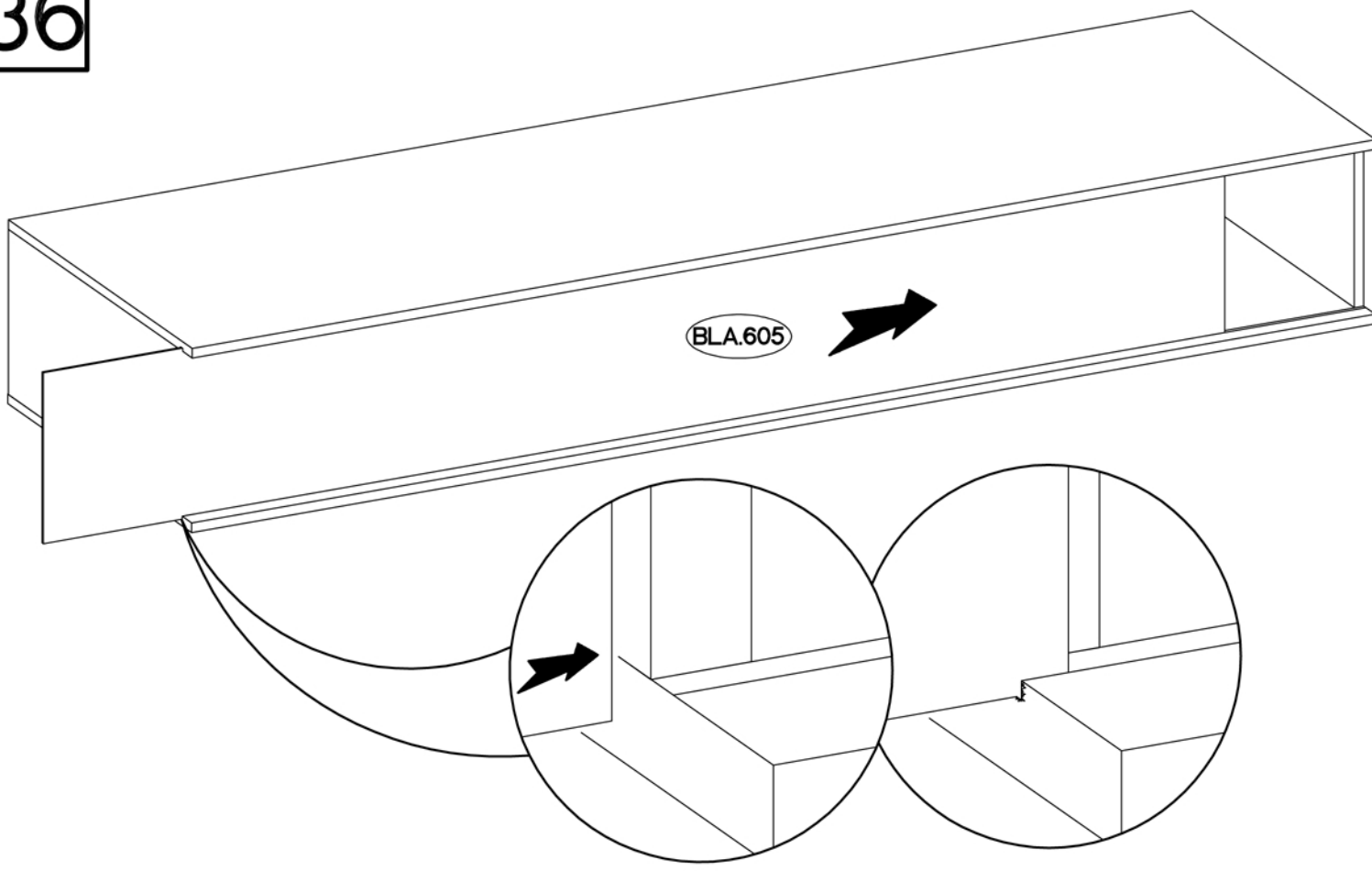
 C 24	 A 24	 D2 24
---	---	--






35



36



37

		
L	E	P7
6	24	4

±3.0x20mm

