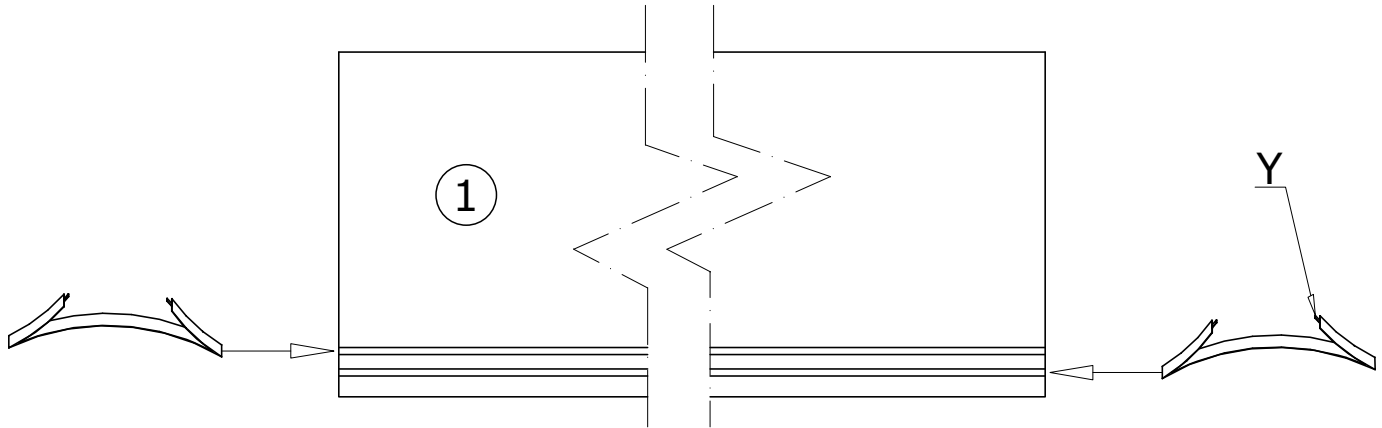
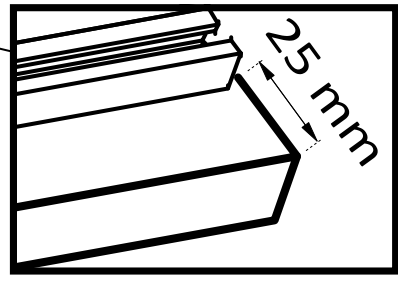
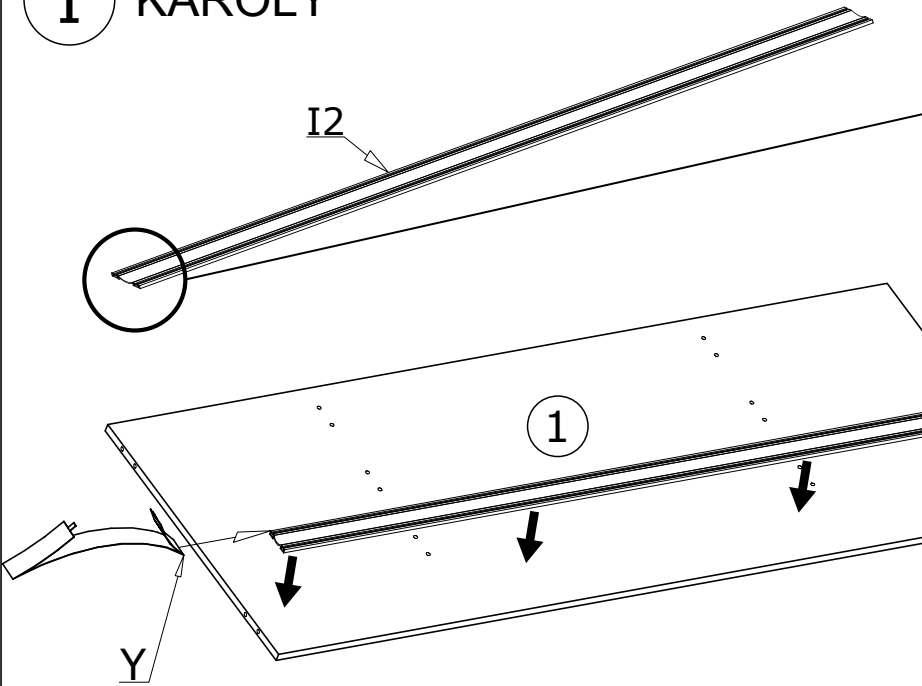
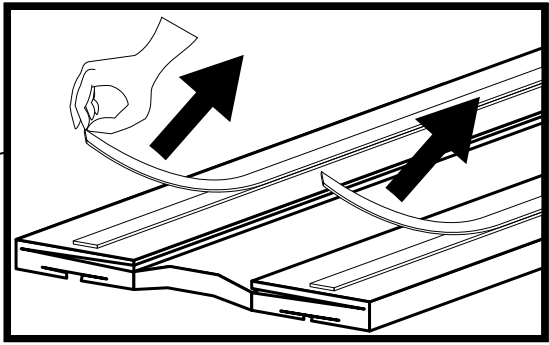
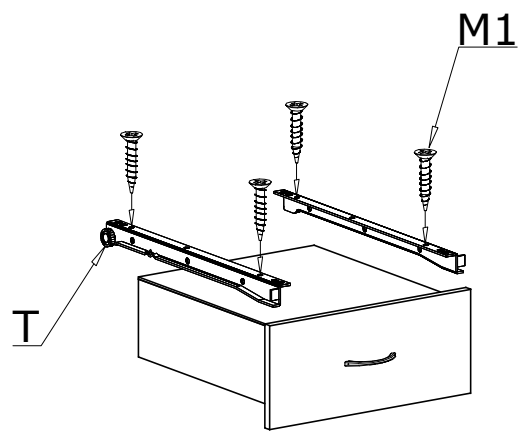
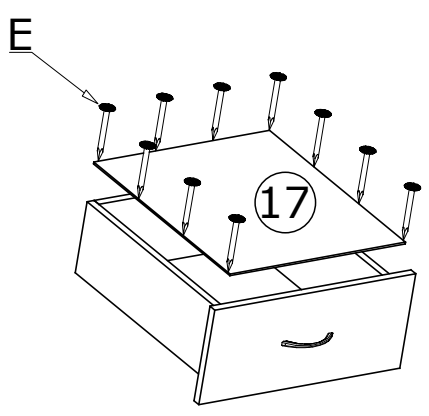
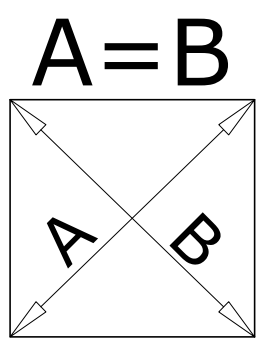
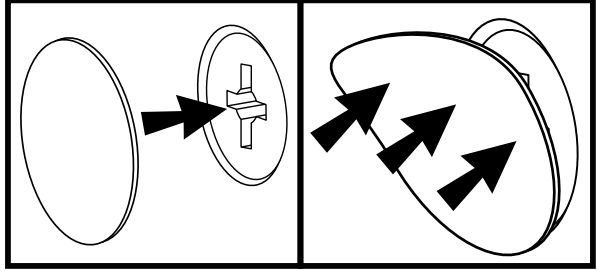
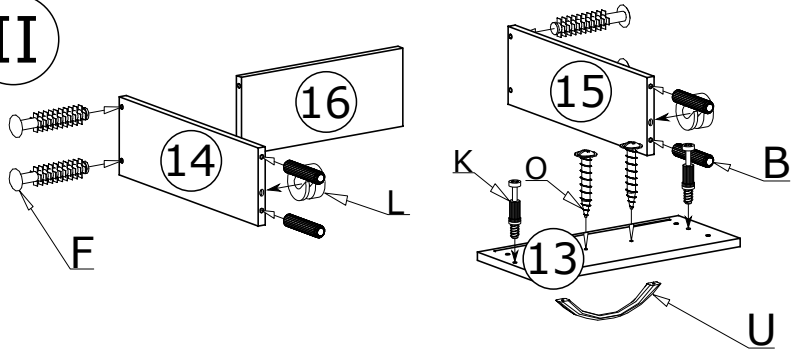
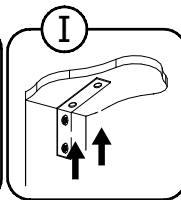
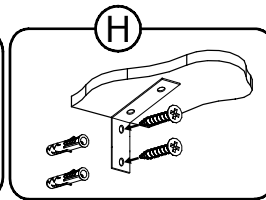
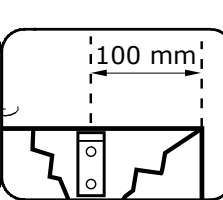
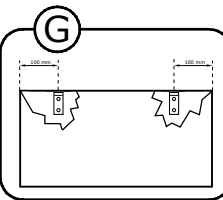
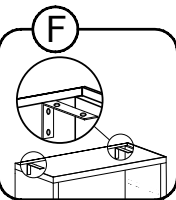
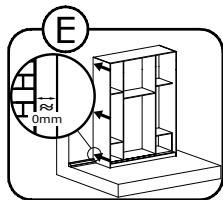
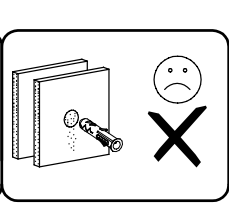
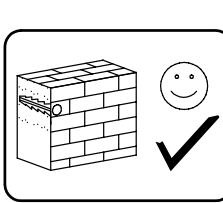
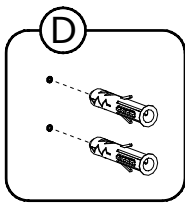
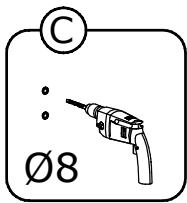
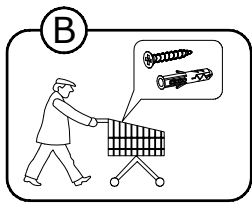
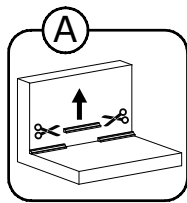
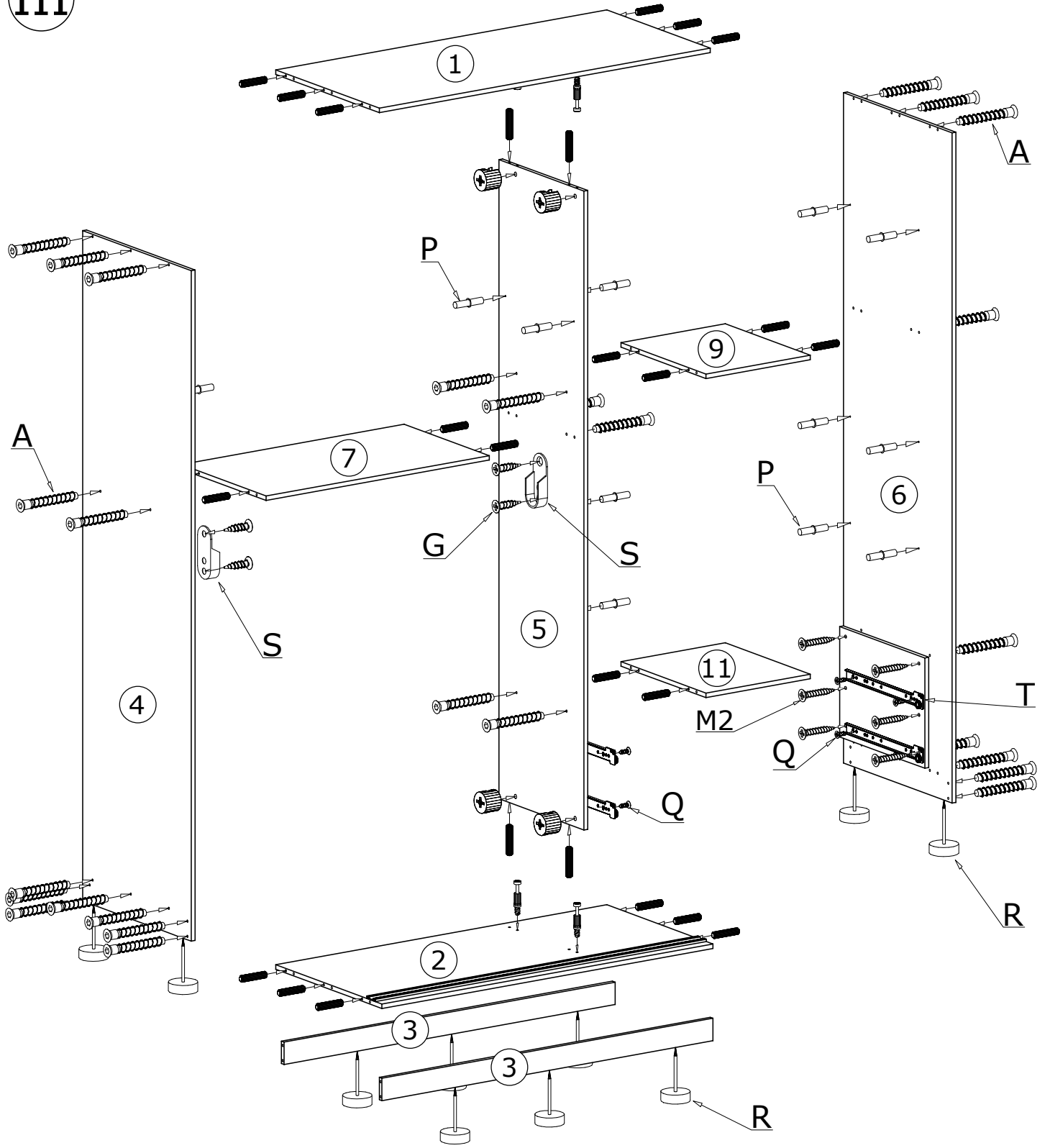


I KAROLY



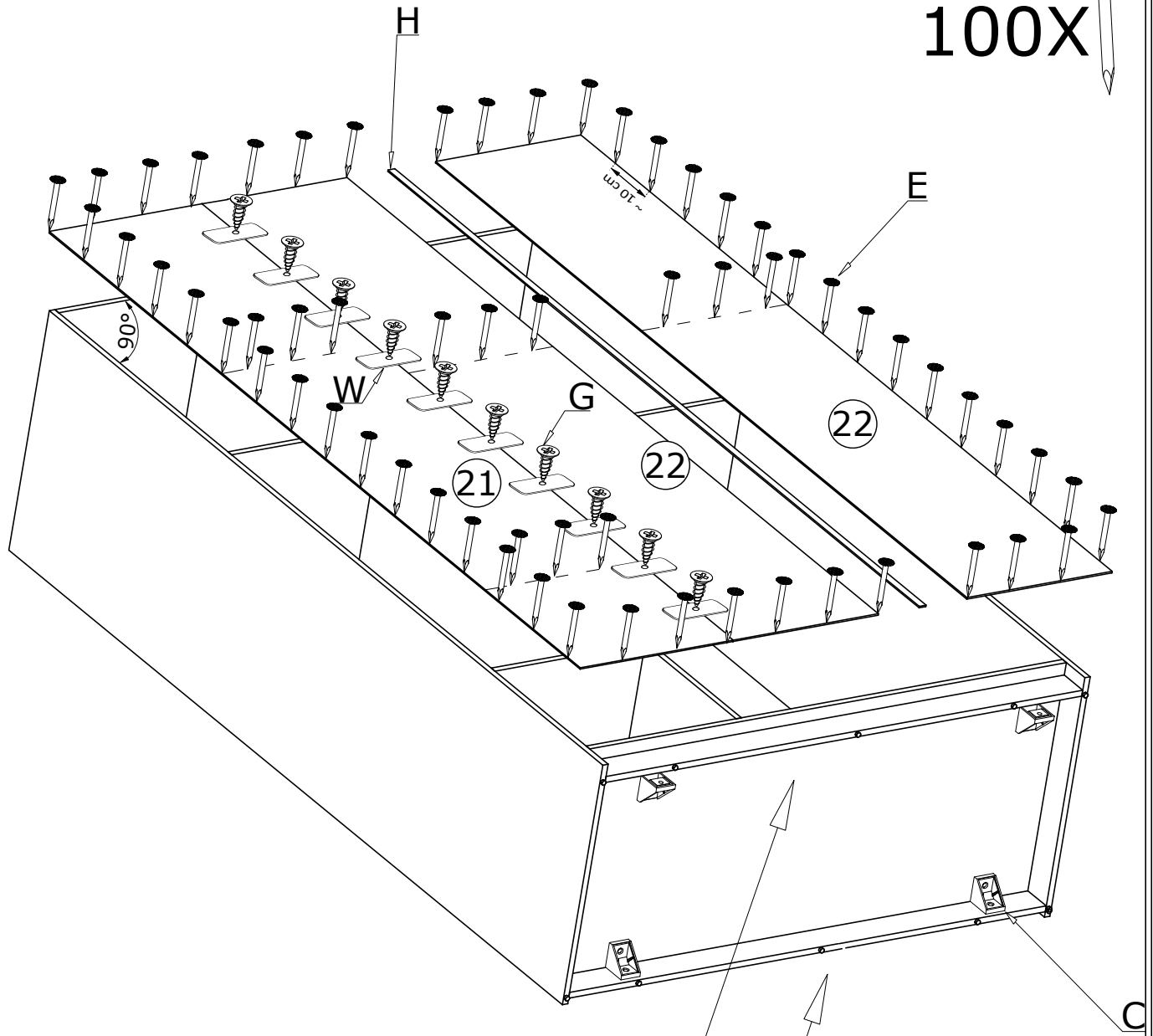
II



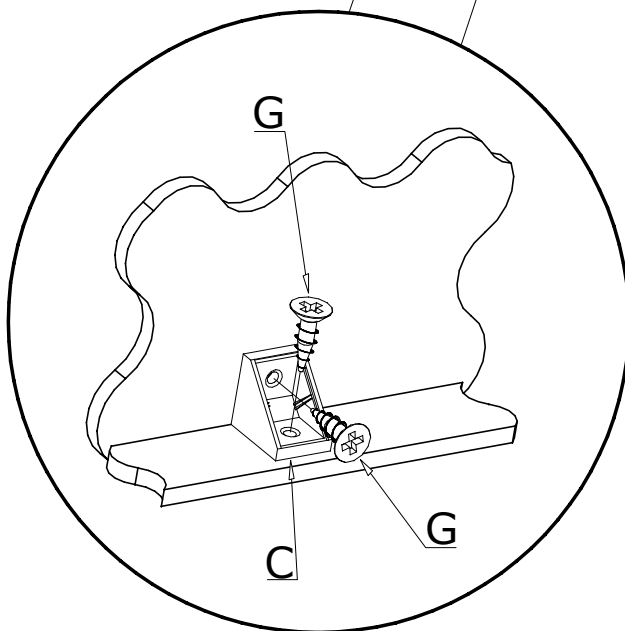
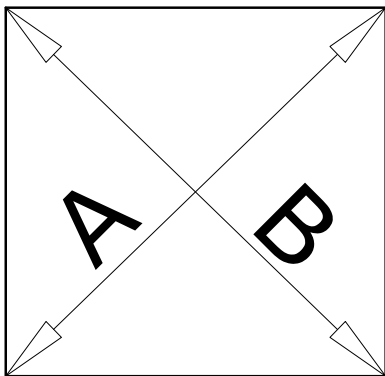


IV

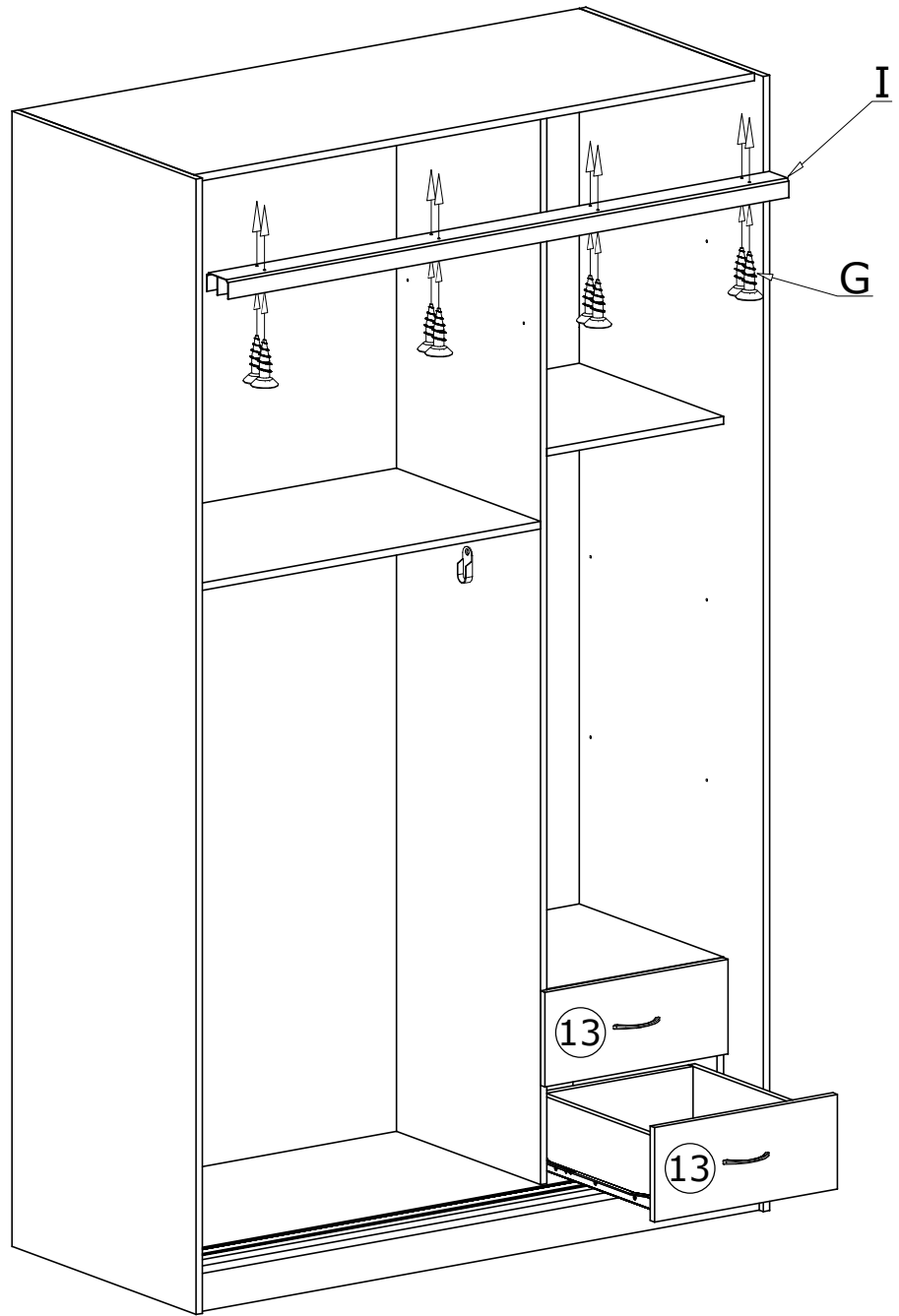
100X 



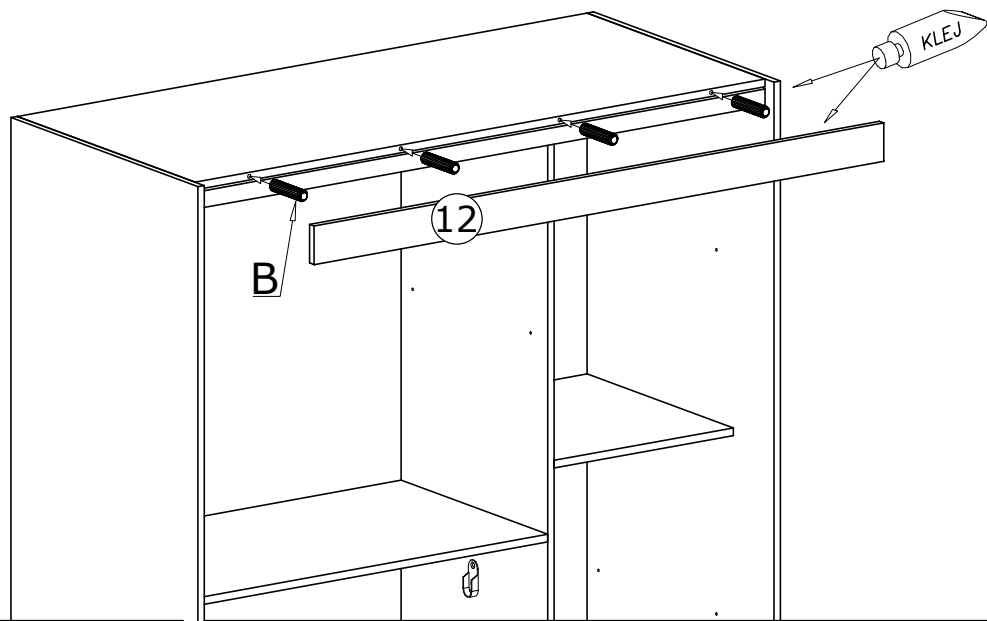
$A = B$



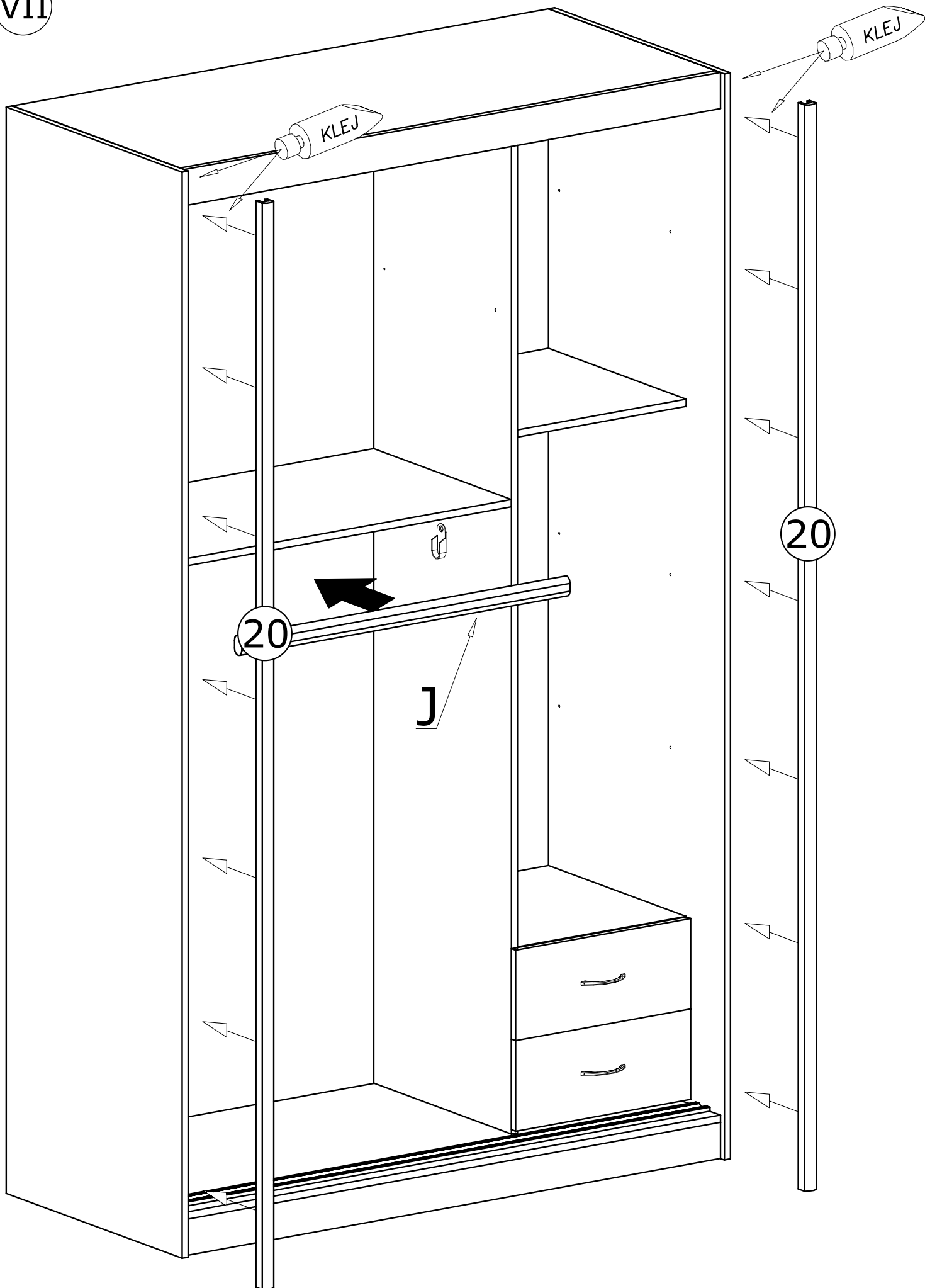
V



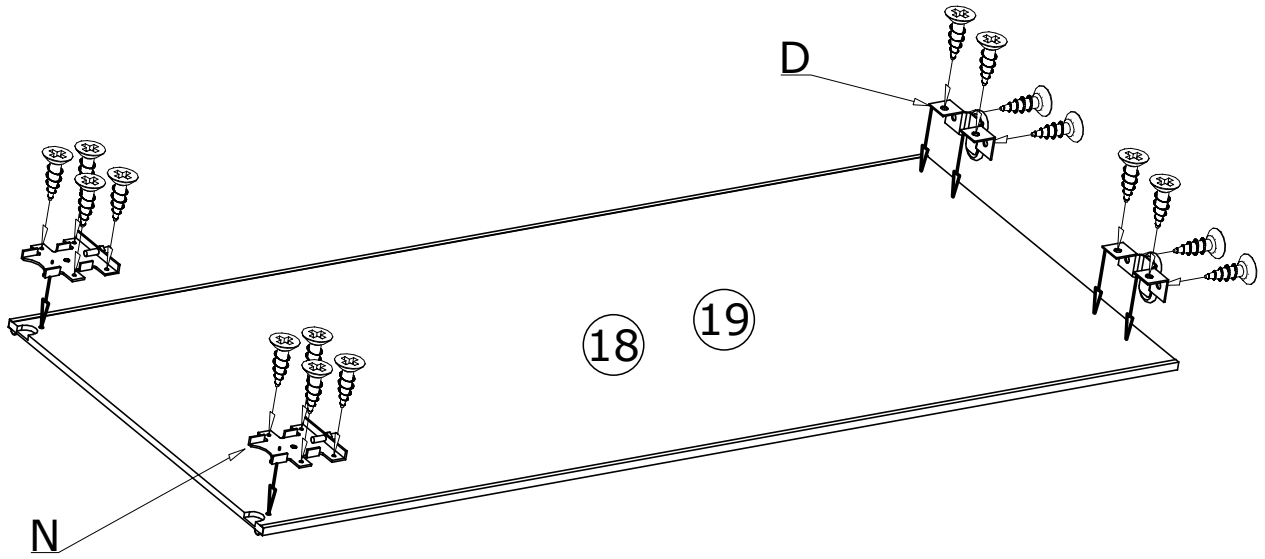
VI



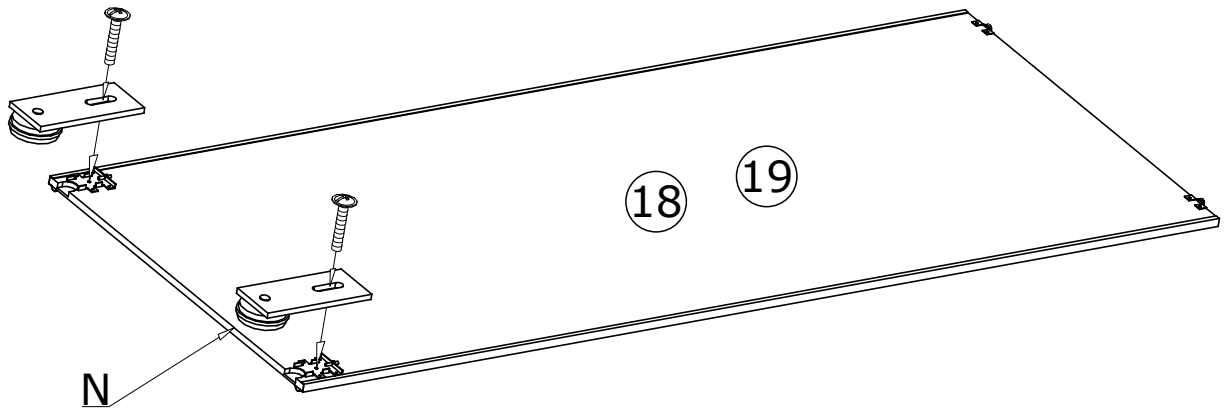
VII



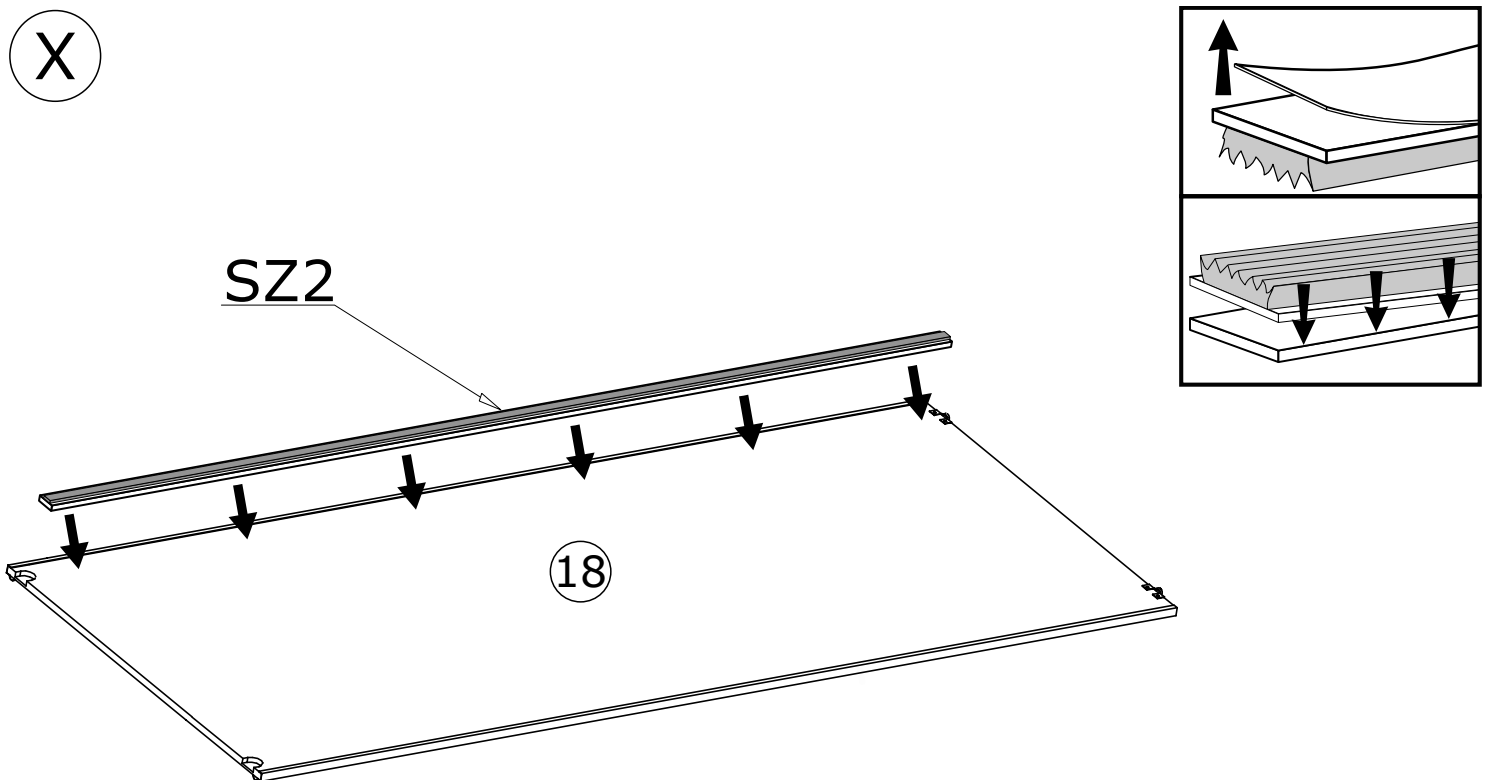
VIII



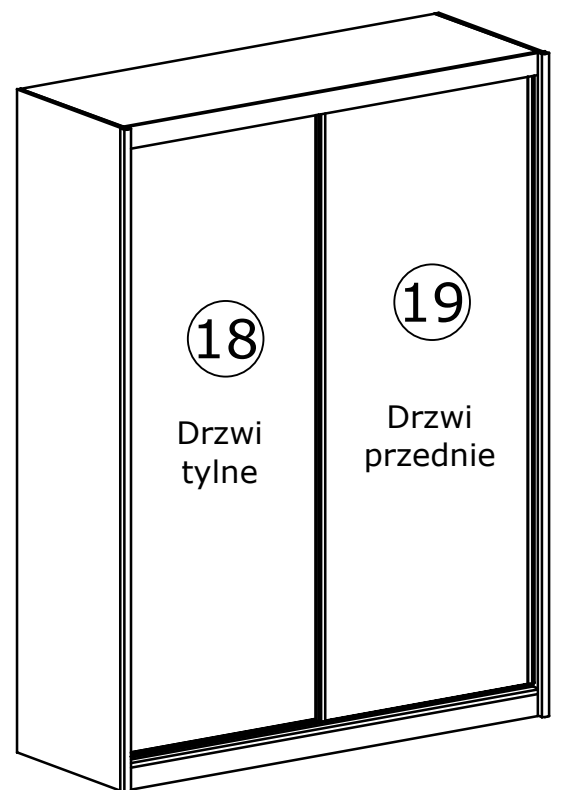
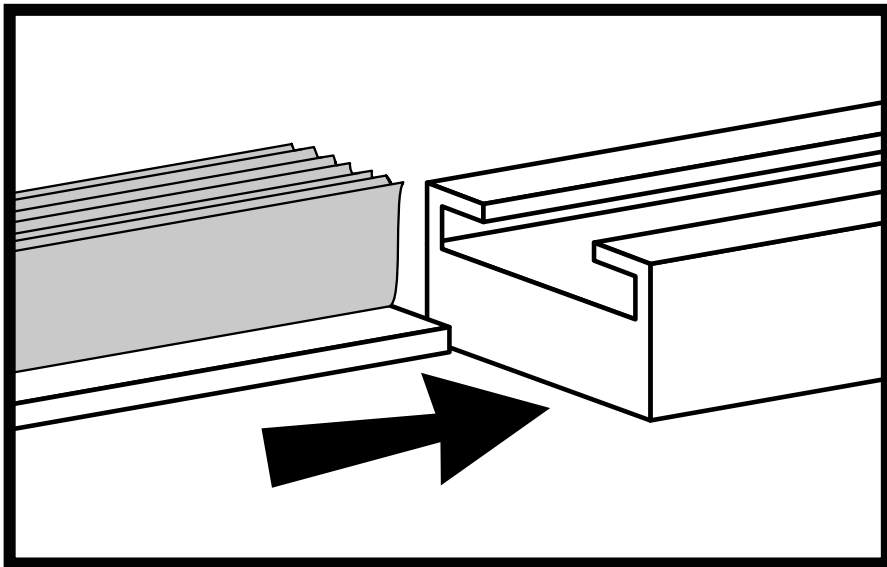
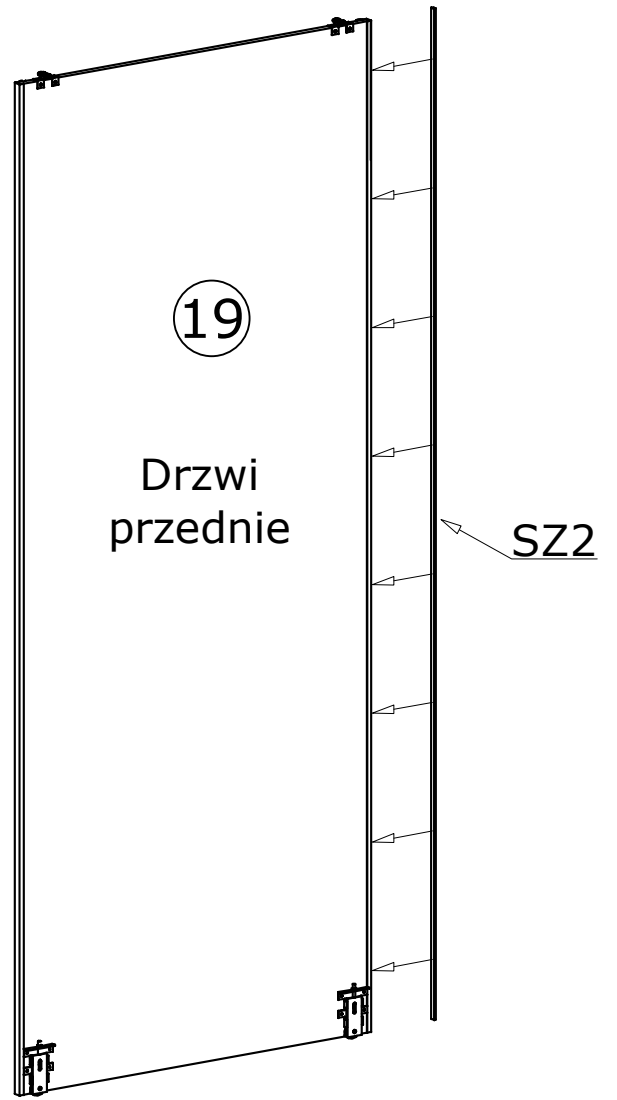
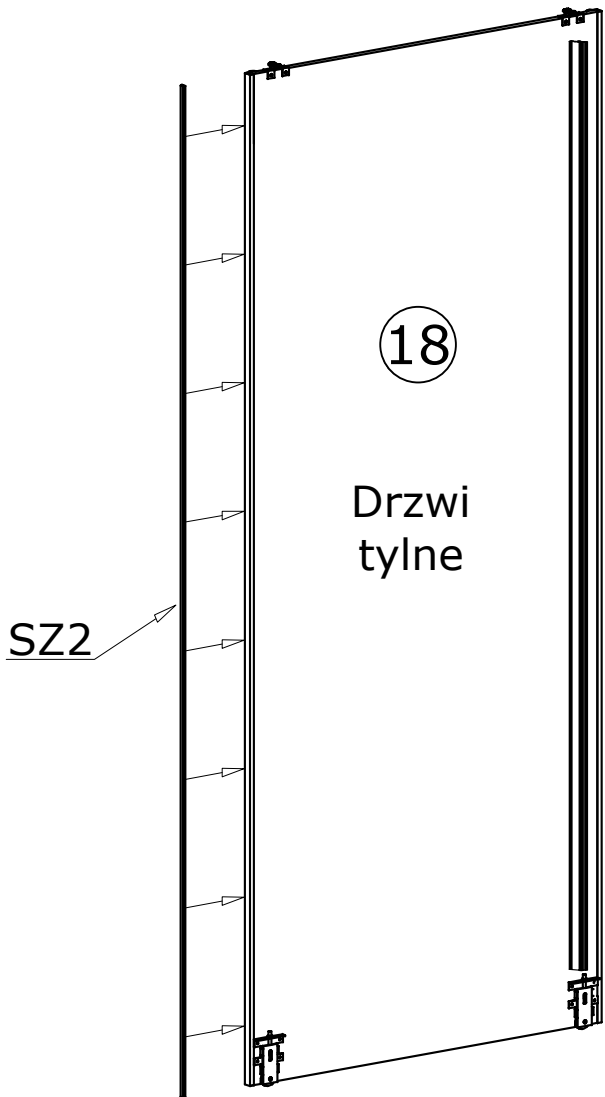
IX



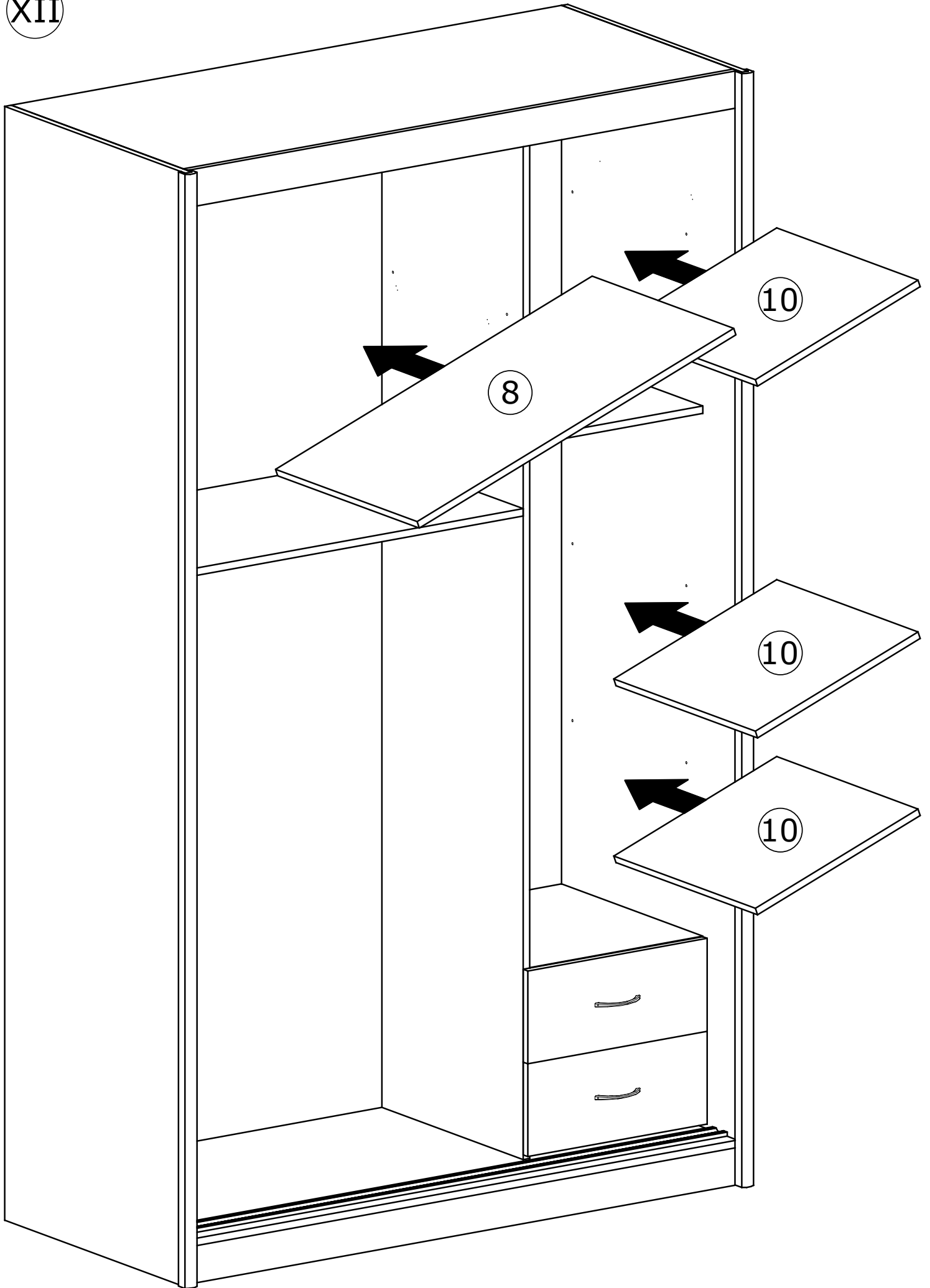
X



XI

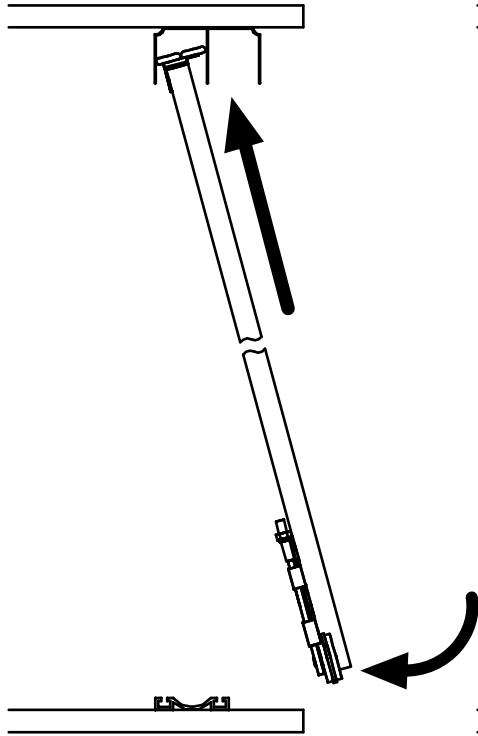


XII

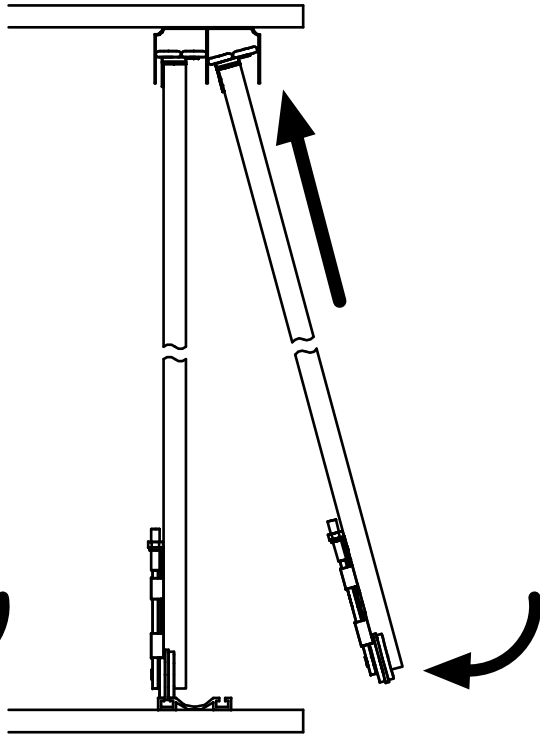


XIII

1



2



3

