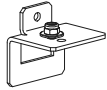
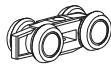


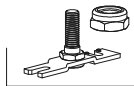
x1



x7



x2



x2



ø5x50

x4



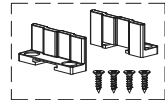
x1



x1



x2

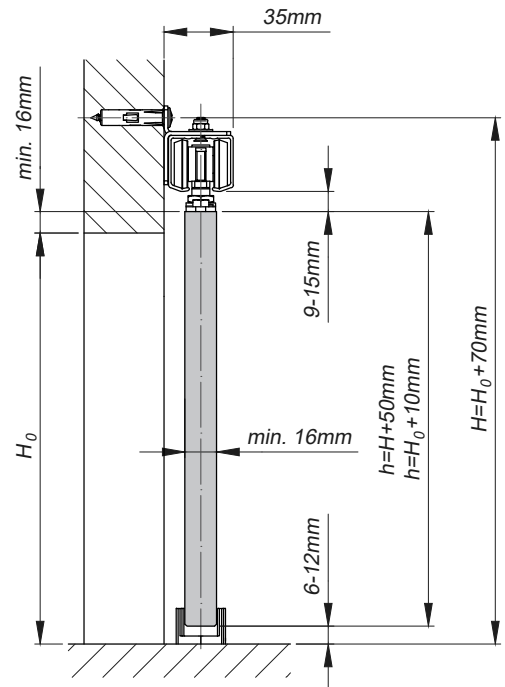
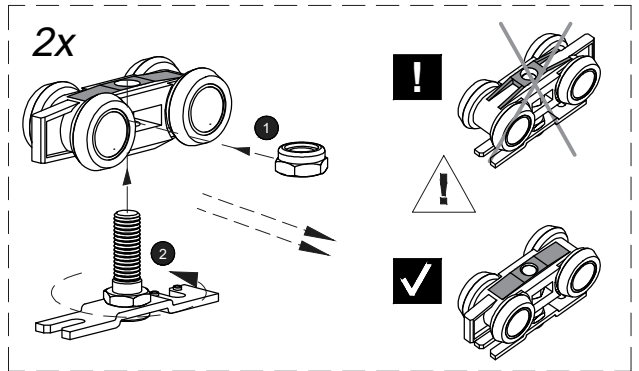
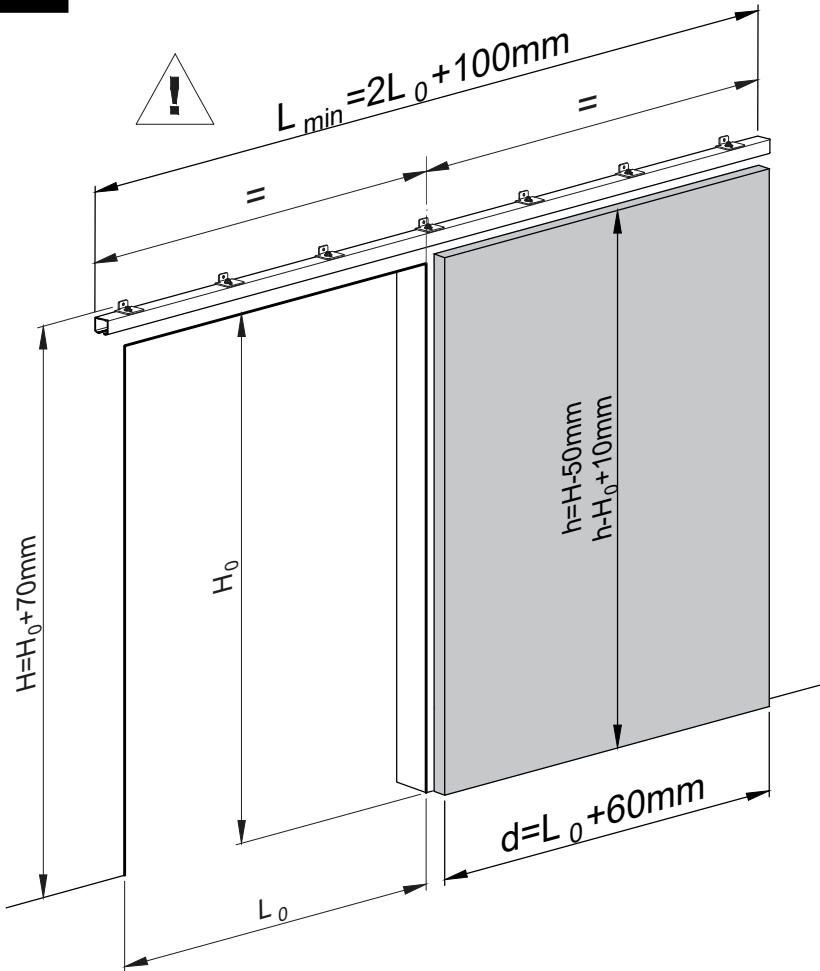


x1

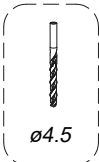


45
KG

1

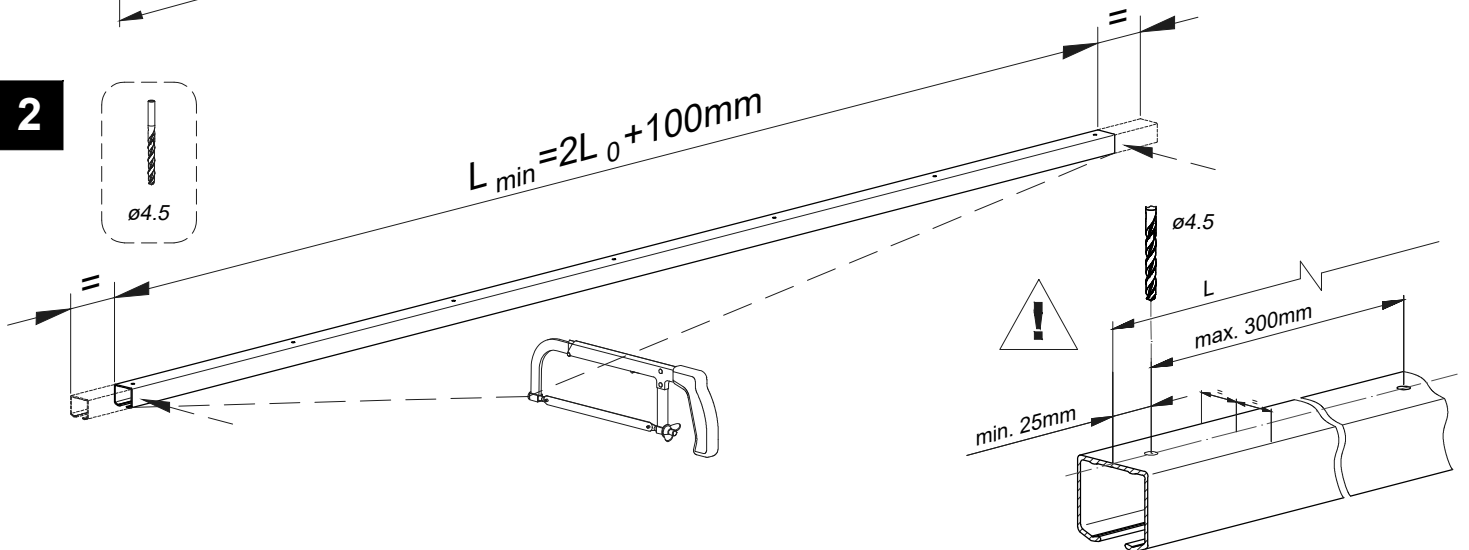


2

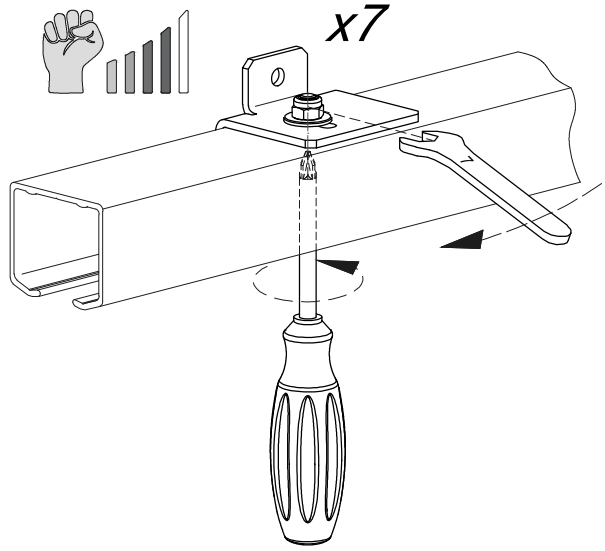
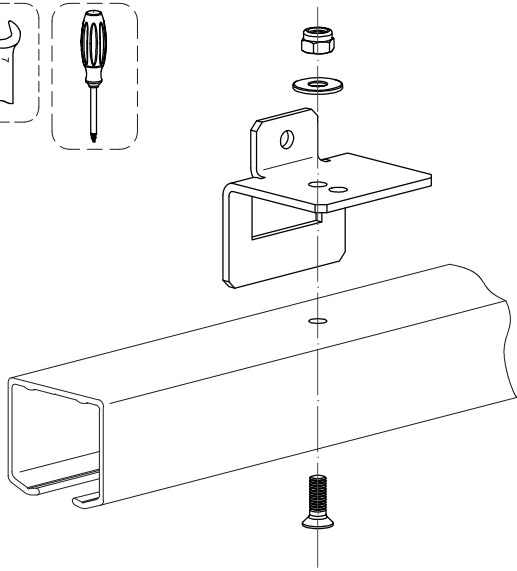
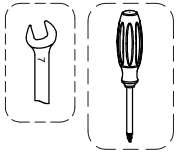


ø4.5

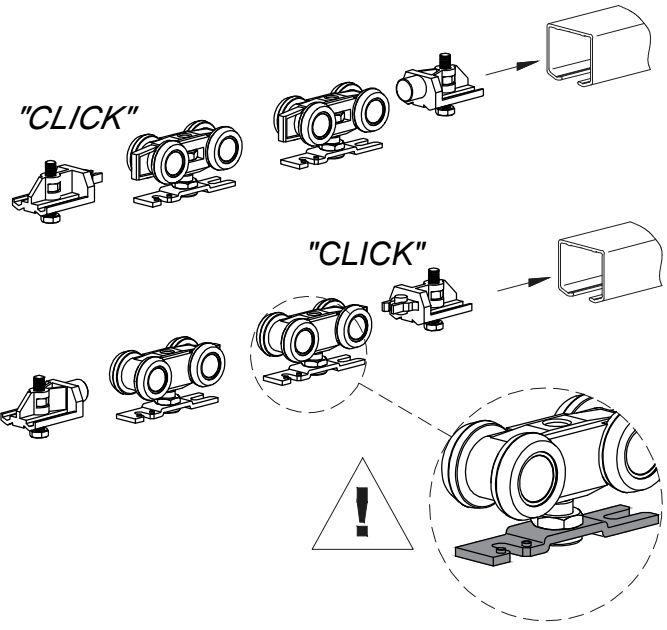
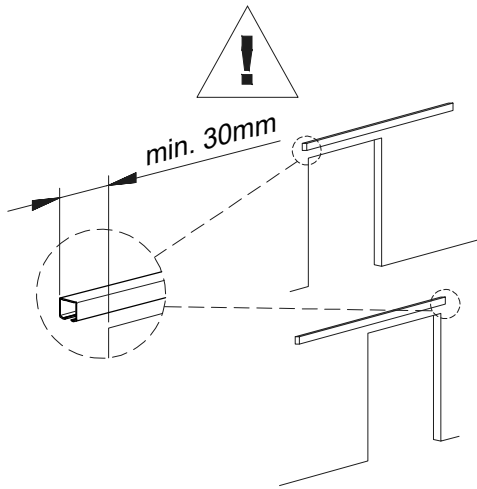
$L_{\min} = 2L_0 + 100\text{mm}$



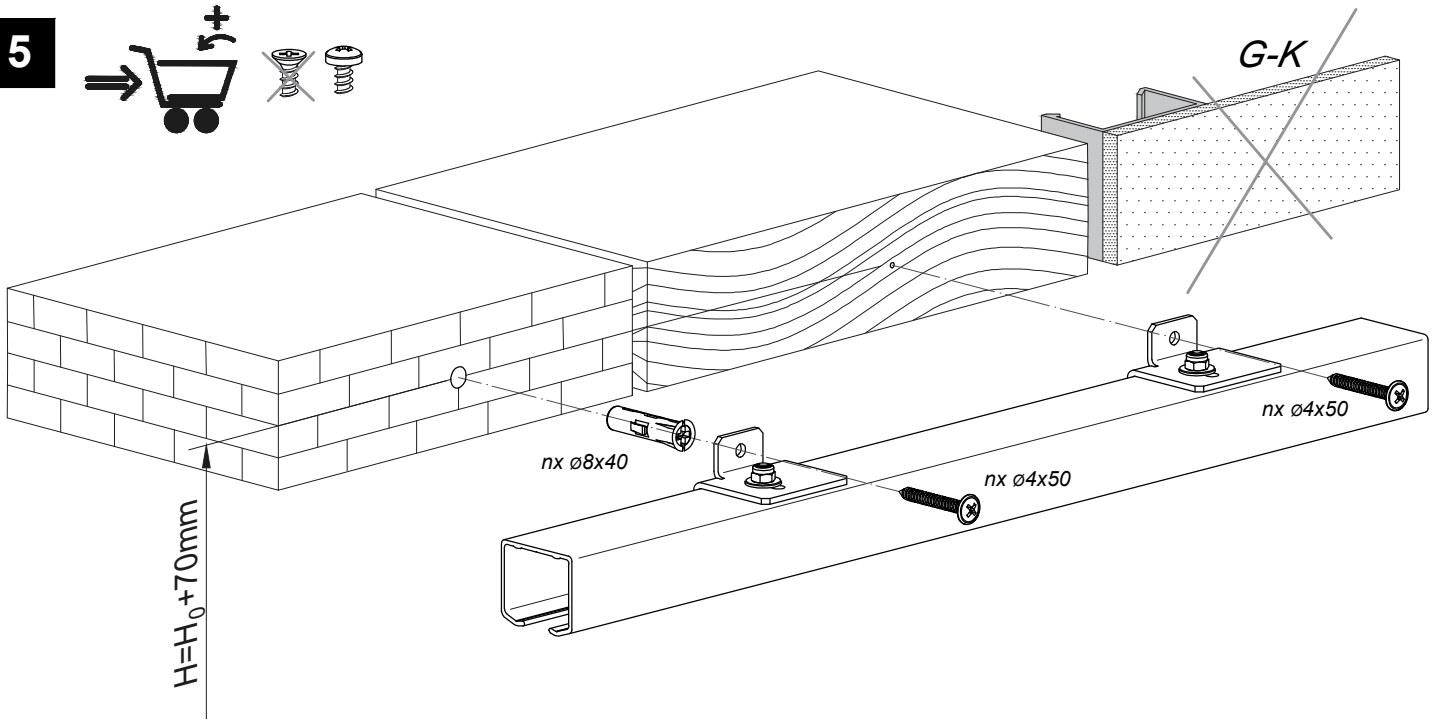
3



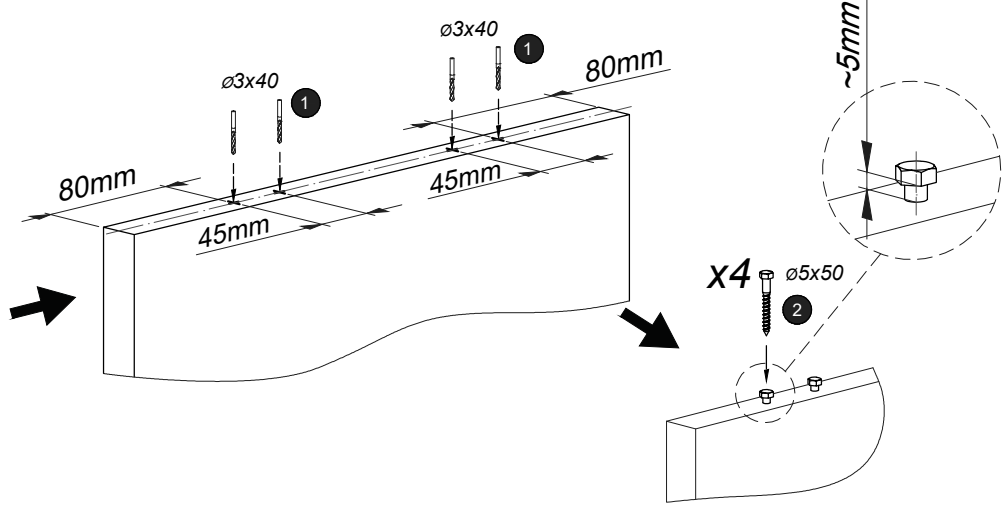
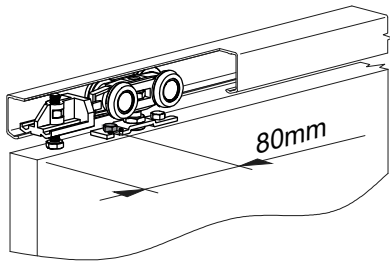
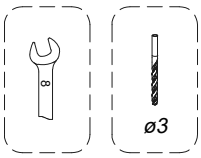
4



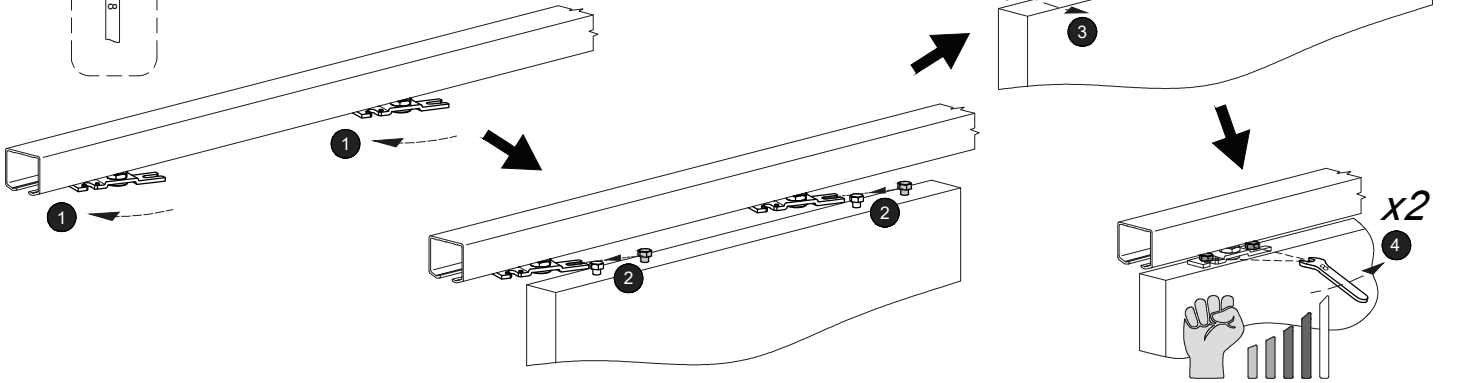
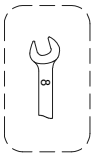
5



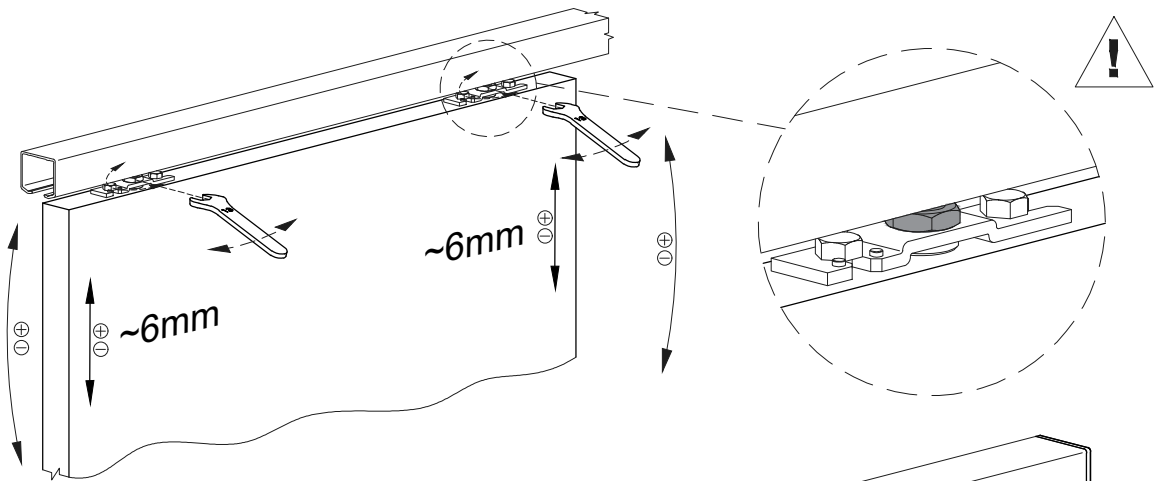
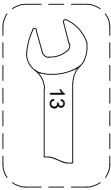
6



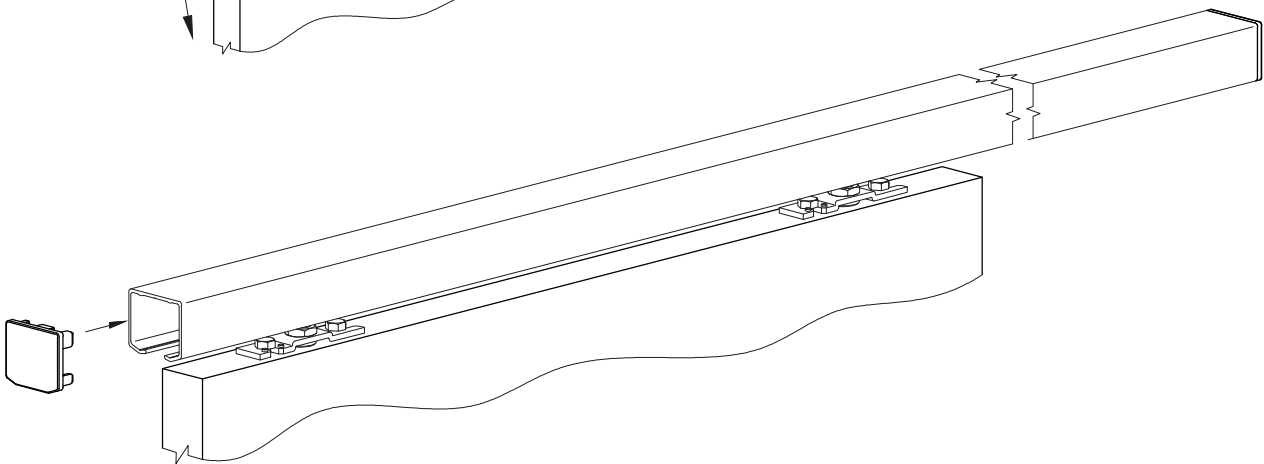
7



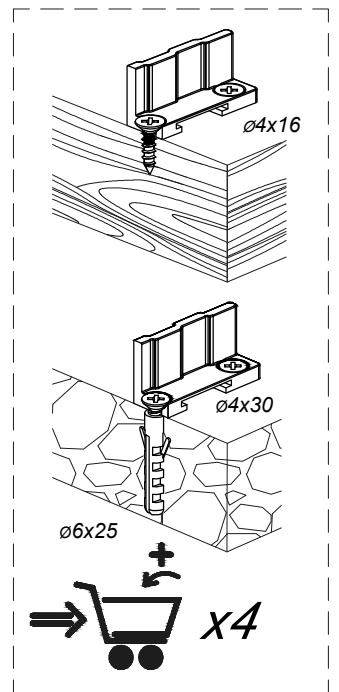
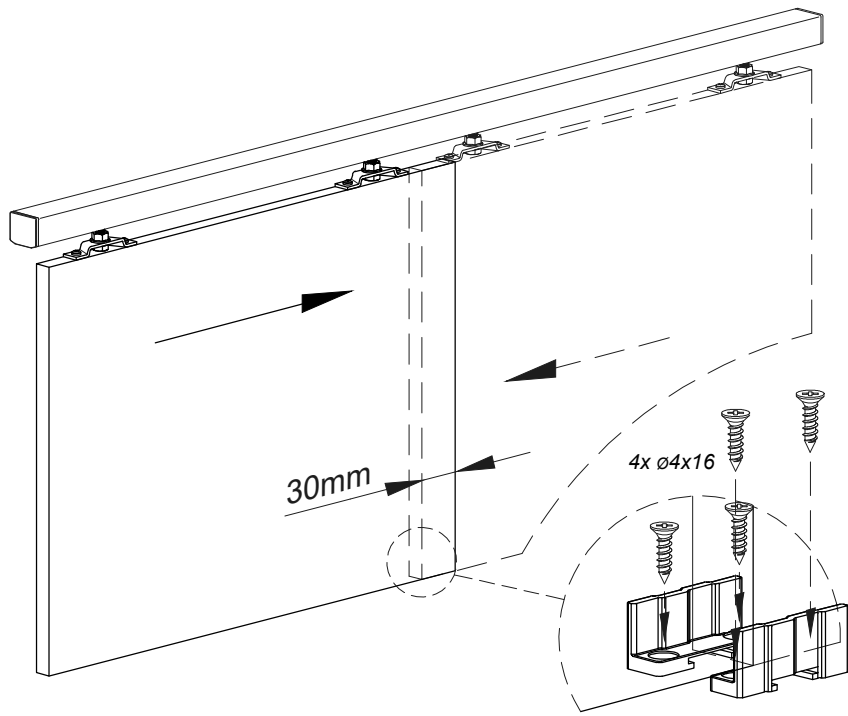
8



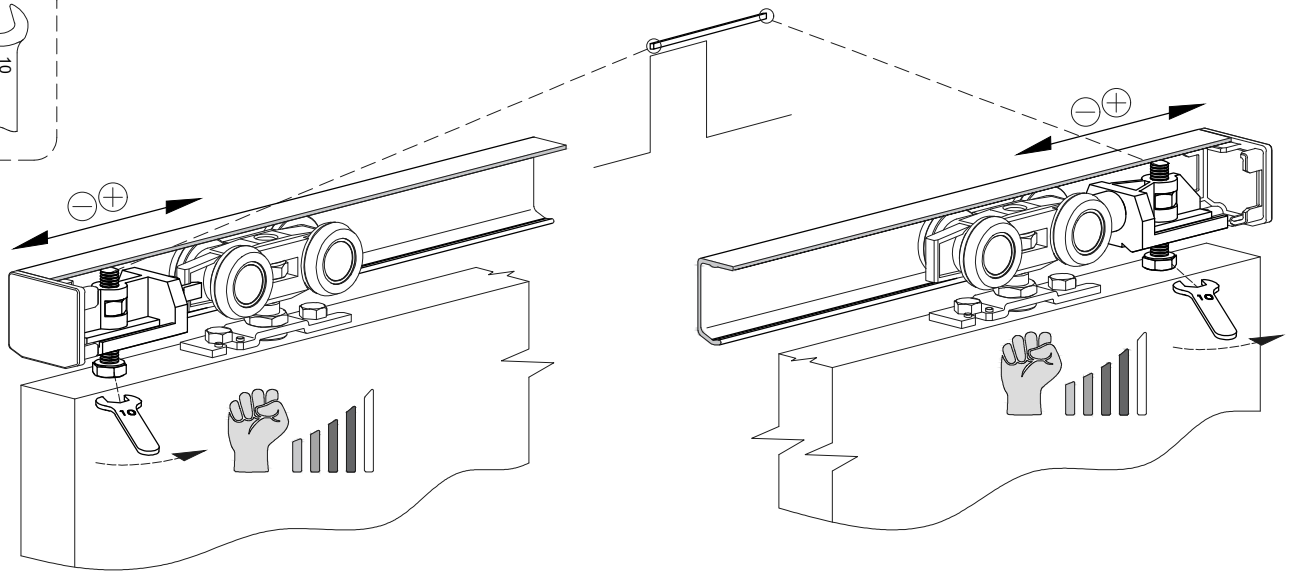
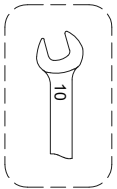
9

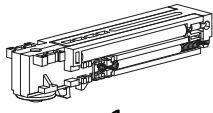


10

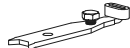


11





x1



x1



x1

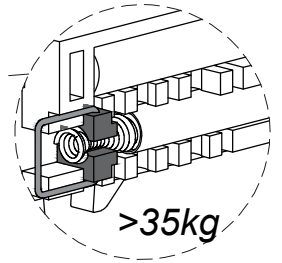
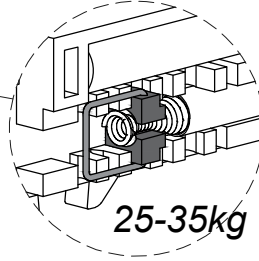
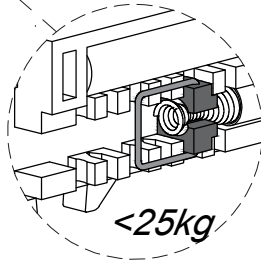
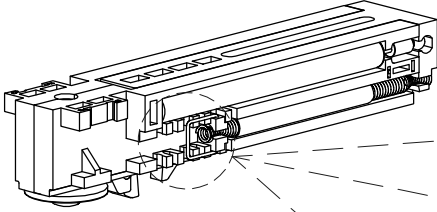


x1

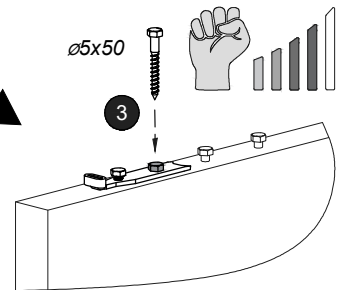
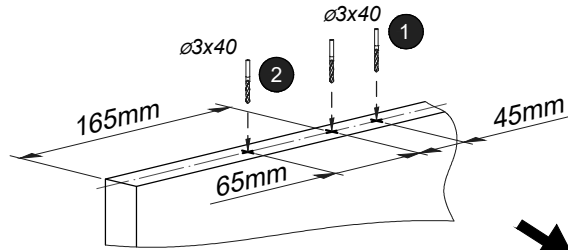
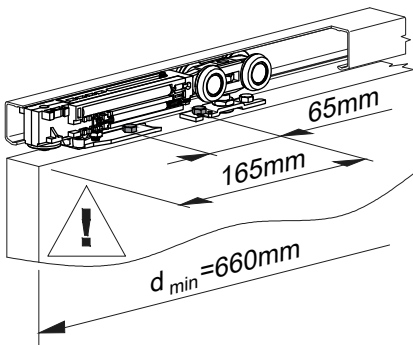
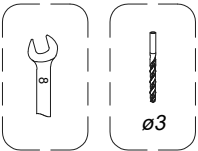


x1

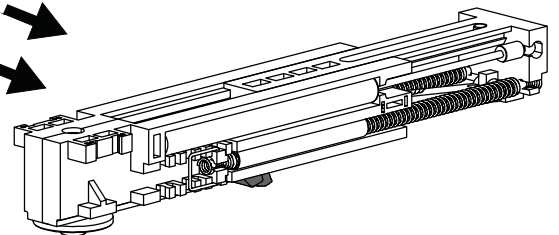
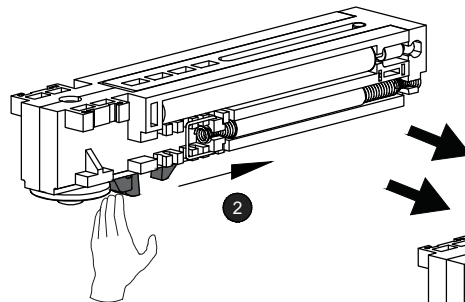
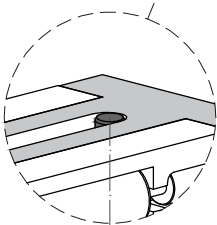
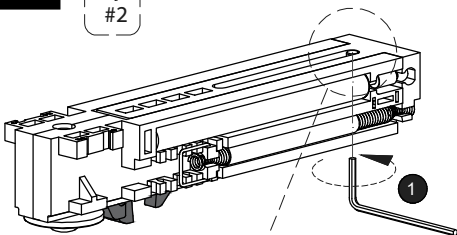
1



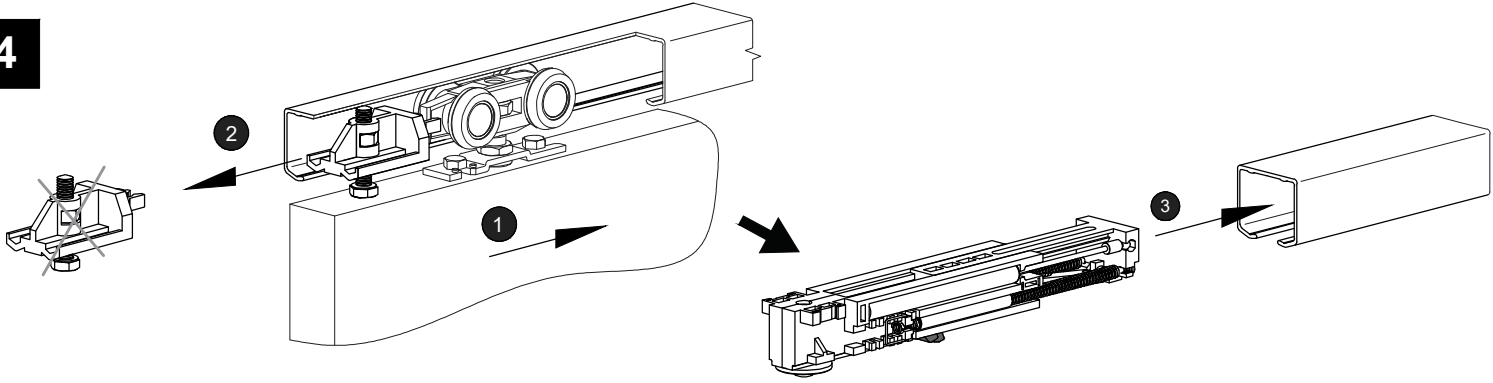
2



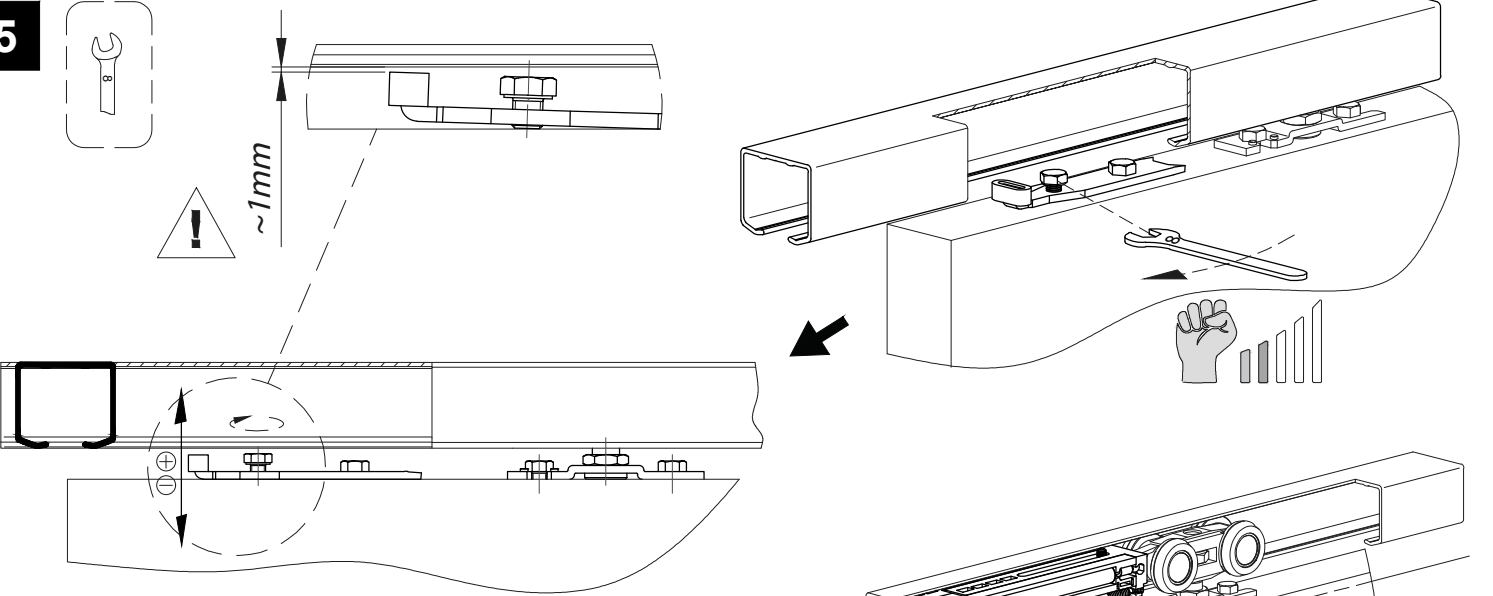
3



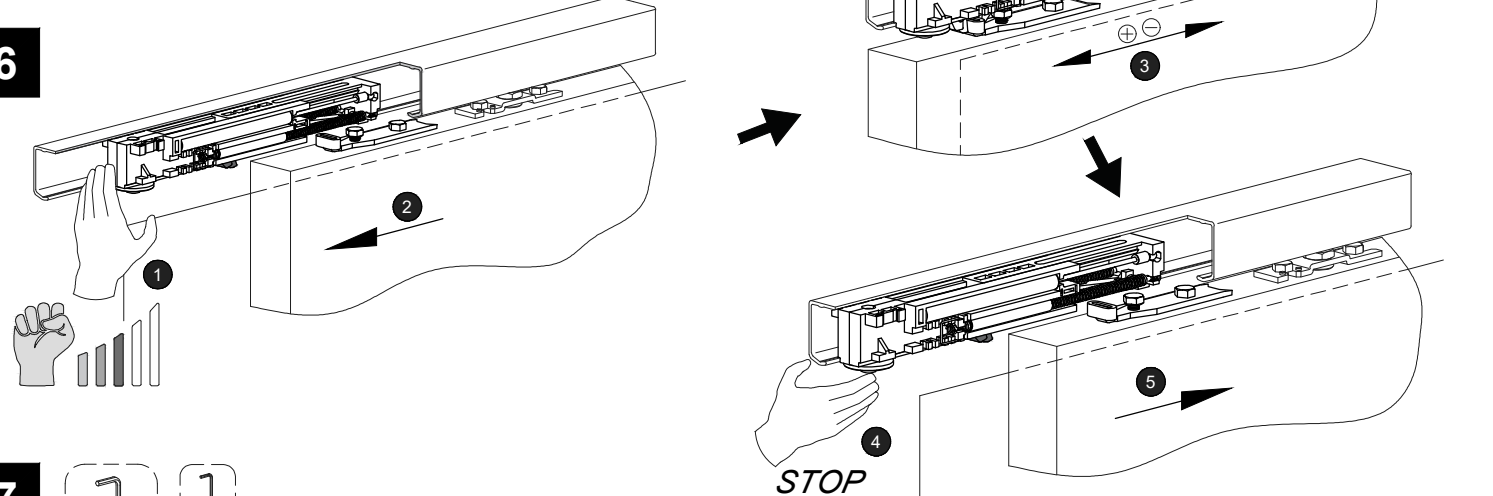
4



5



6



7

