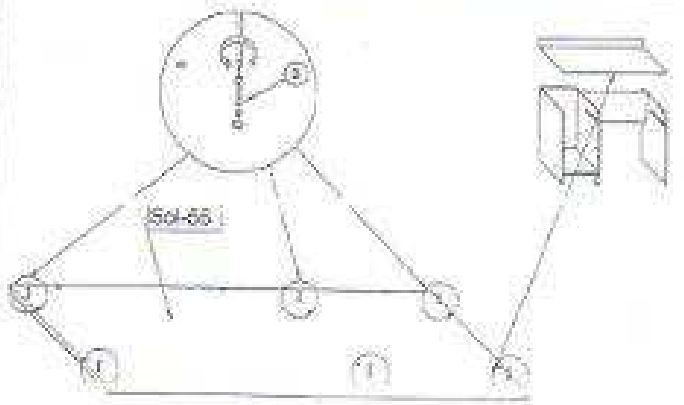
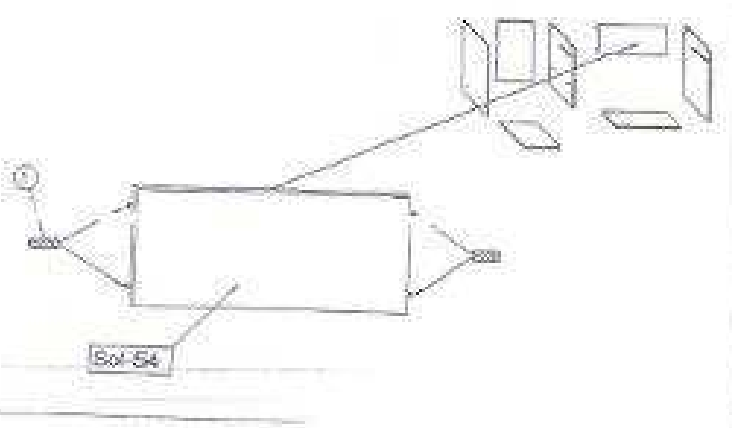
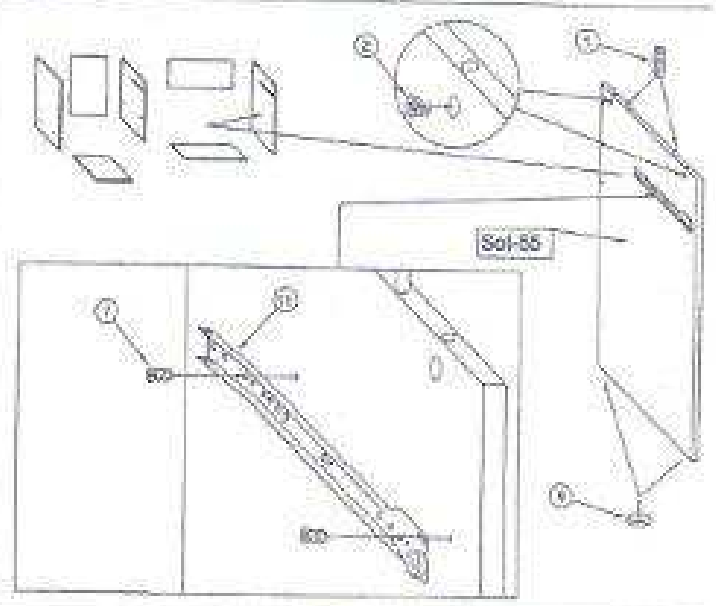
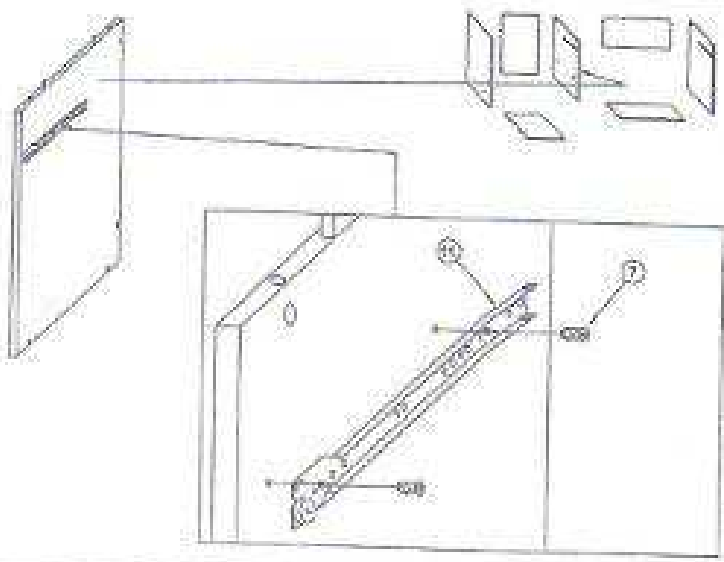
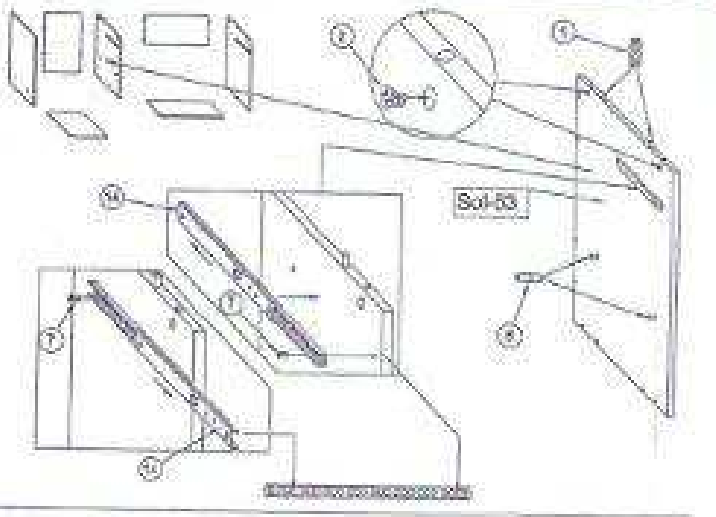
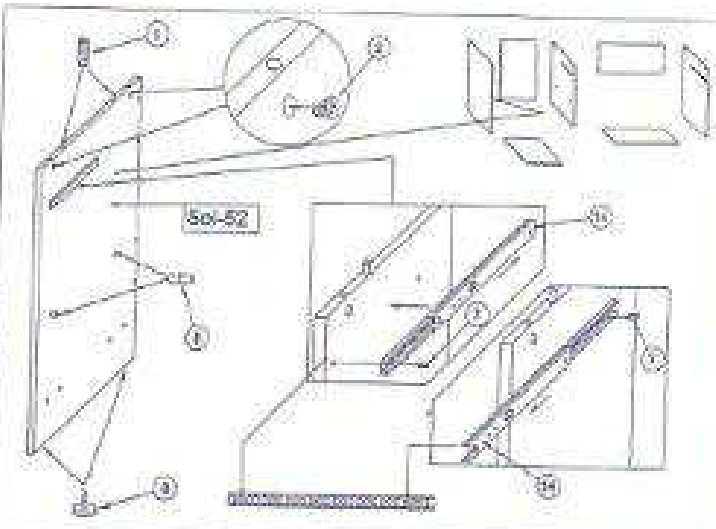
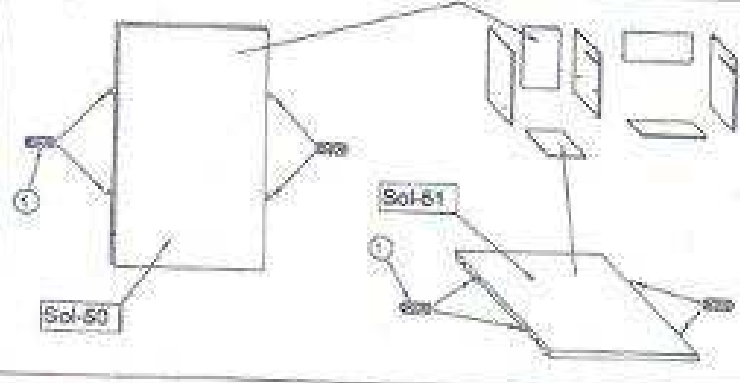
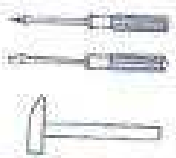
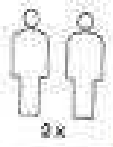
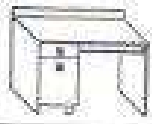
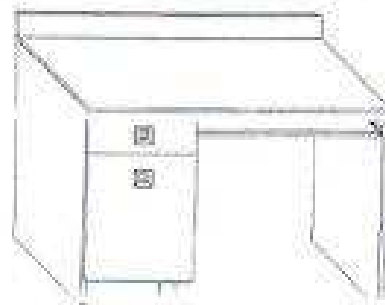
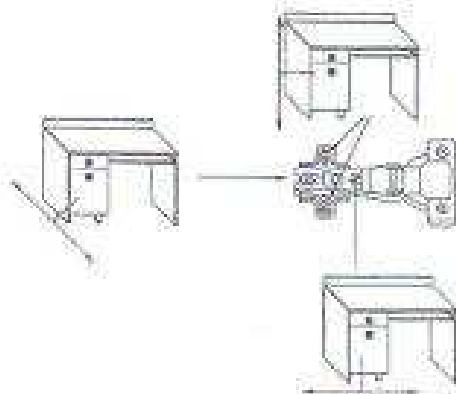
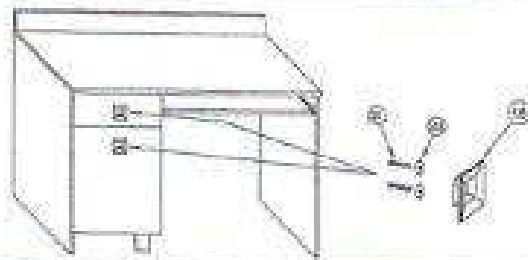
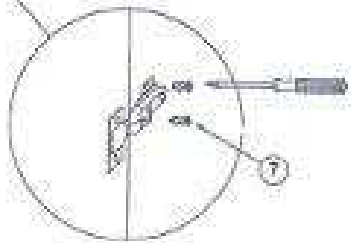
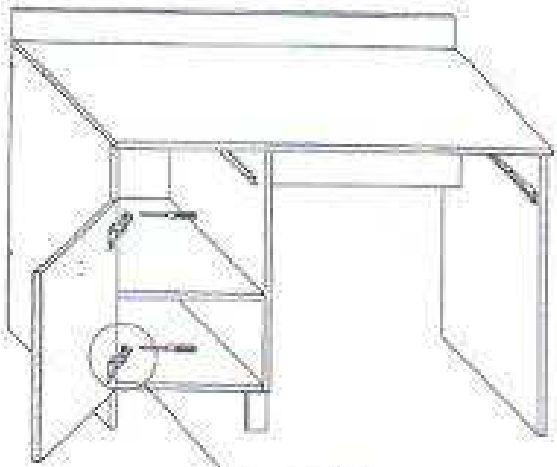
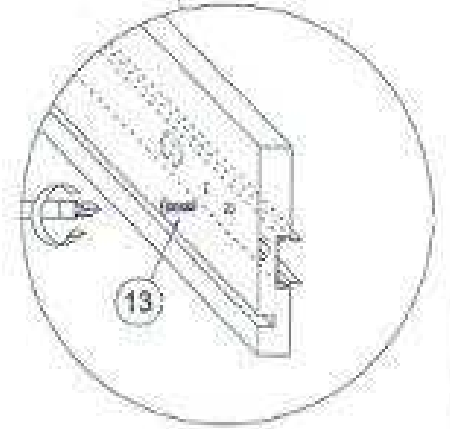
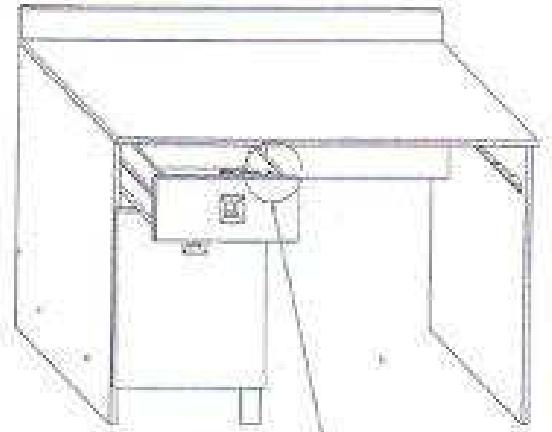
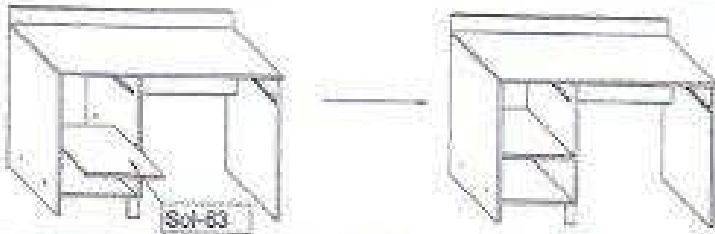
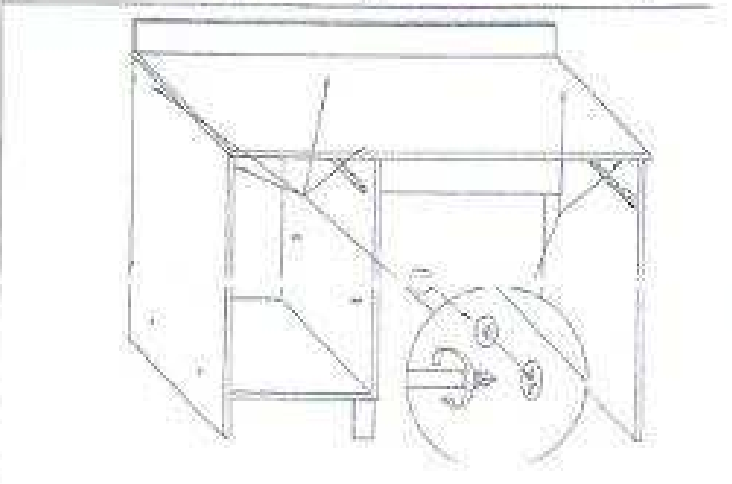
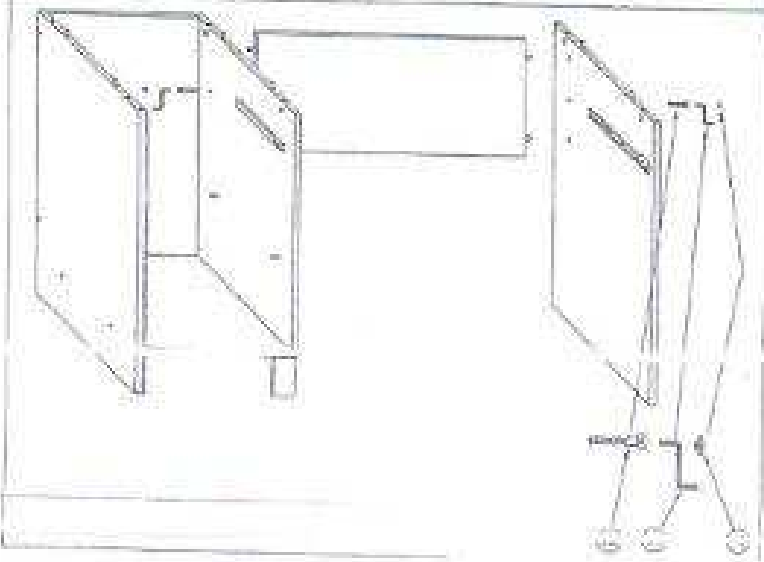
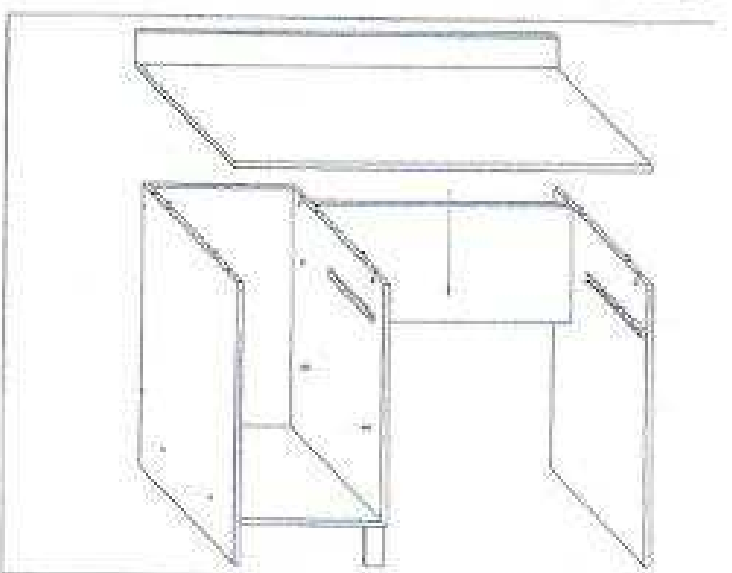
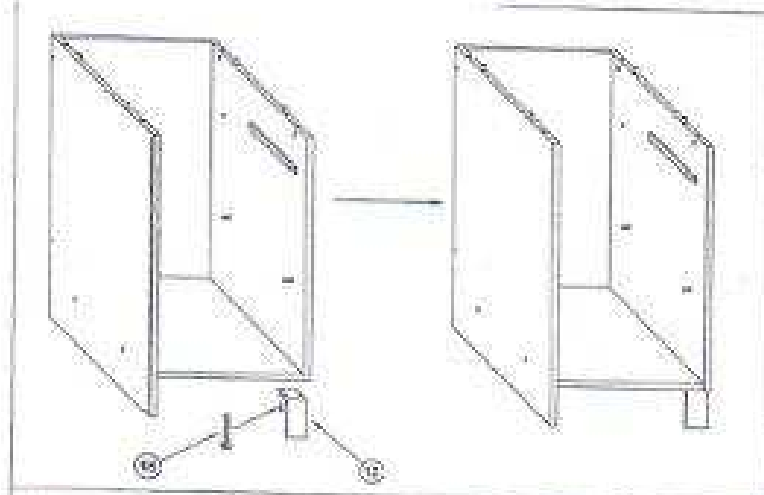
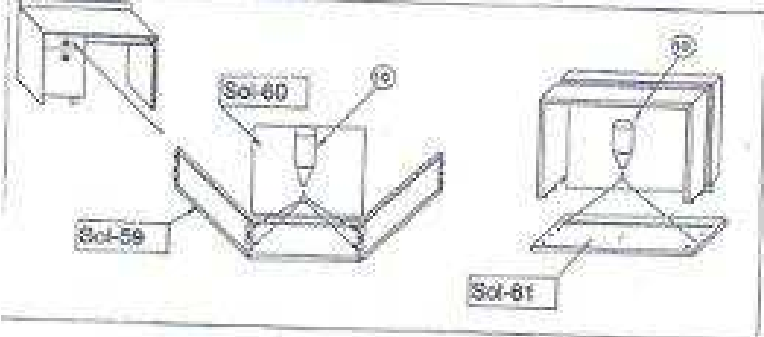
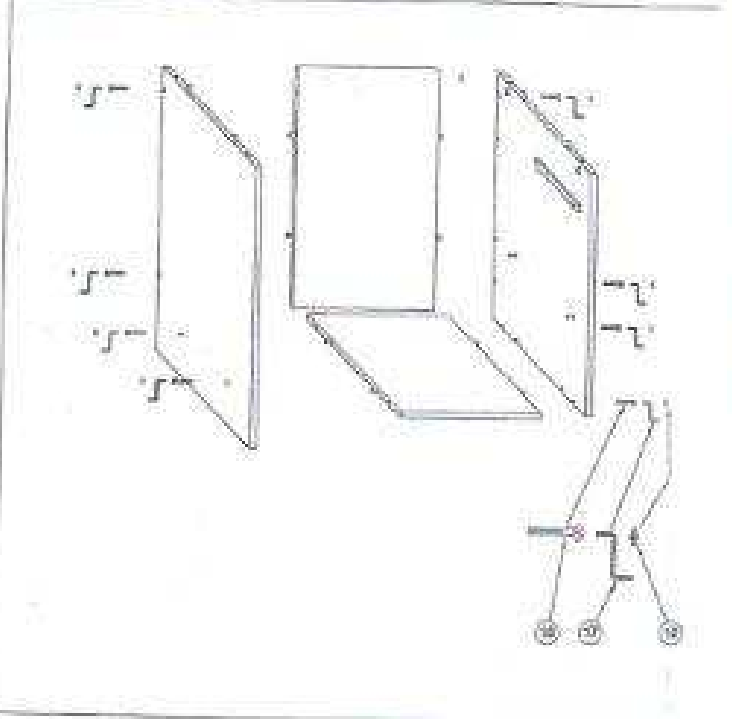
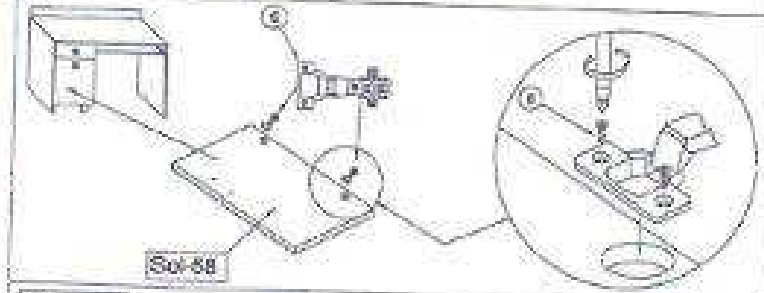
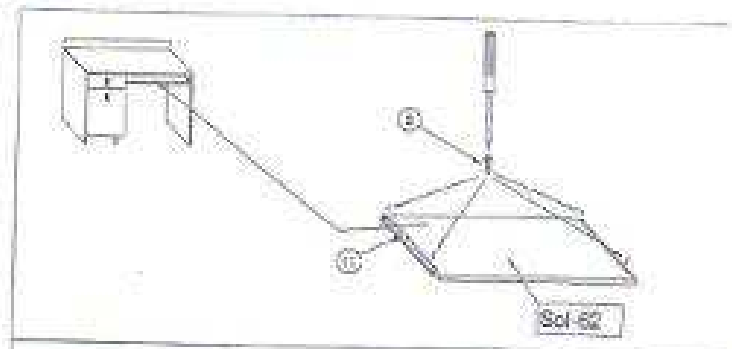
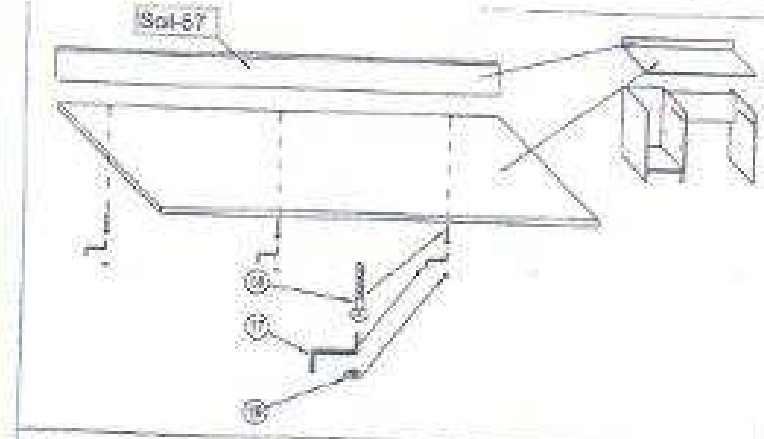


SOLO - B

① 18 x 18 x 18 cm	② 5 x 5 x 5 cm	③ 1 x 1 x 1 cm	④ 5 x 5 x 5 cm	⑤ 1 x 1 x 1 cm
⑥ 2 x 2 x 2 cm	⑦ 12 x 12 x 12 cm	⑧ 4 x 4 x 4 cm	⑨ 1 x 1 x 1 cm	⑩ 1 x 1 x 1 cm
⑪ 1 x 1 x 1 cm	⑫ 1 x 1 x 1 cm	⑬ 2 x 2 x 2 cm	⑭ 2 x 2 x 2 cm	⑮ 4 x 4 x 4 cm
⑯ 2 x 2 x 2 cm	⑰ 1 x 1 x 1 cm	⑱ 1 x 1 x 1 cm	⑲ 10 x 10 x 10 cm	⑳ 4 x 4 x 4 cm
⑳ 1 x 1 x 1 cm 4 x				

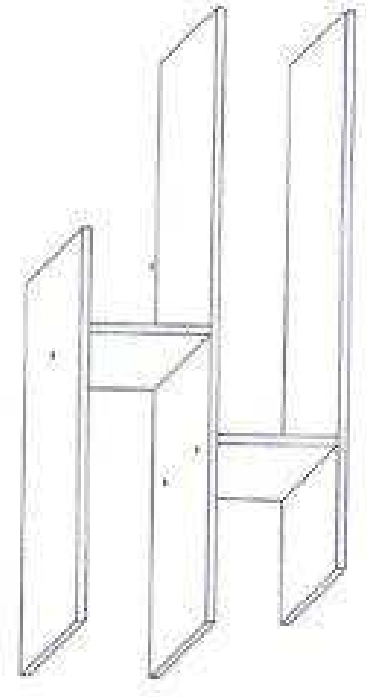
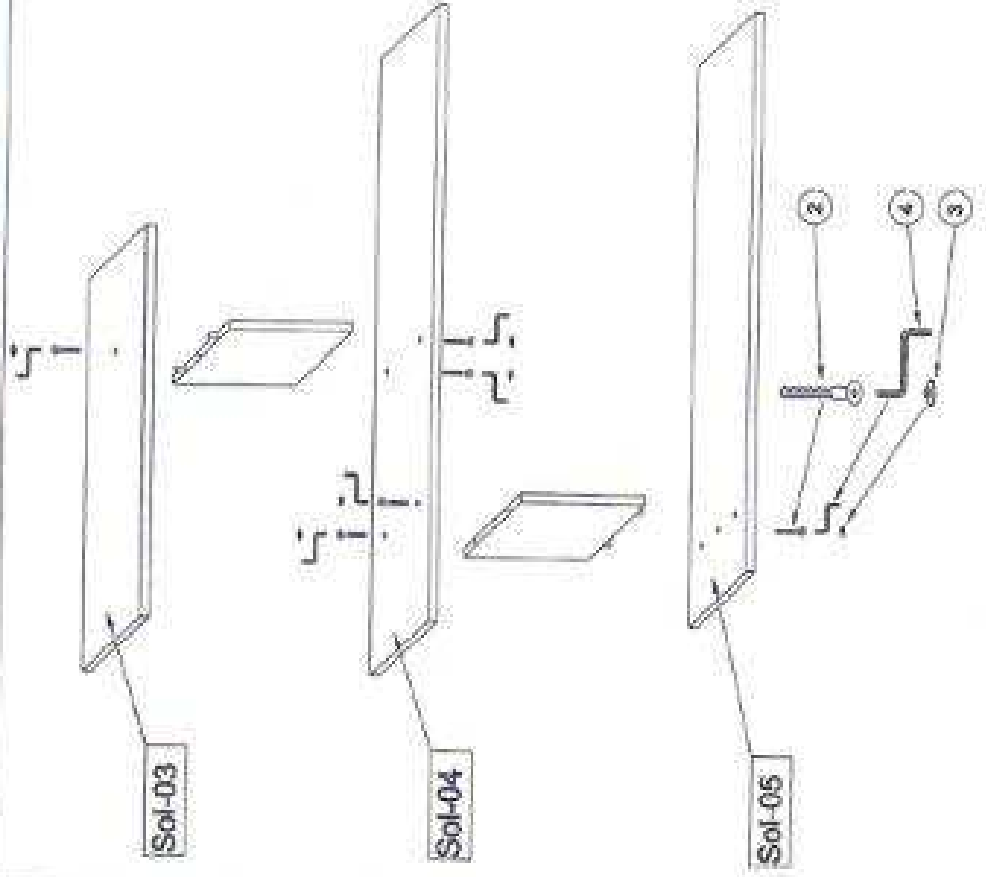
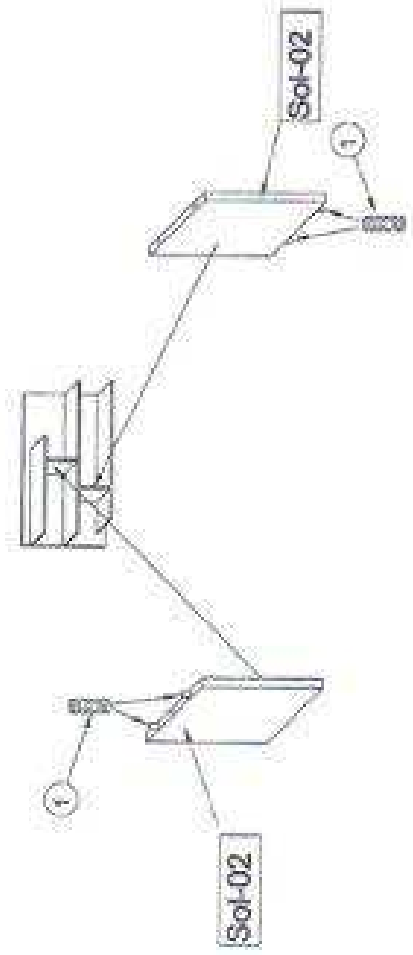
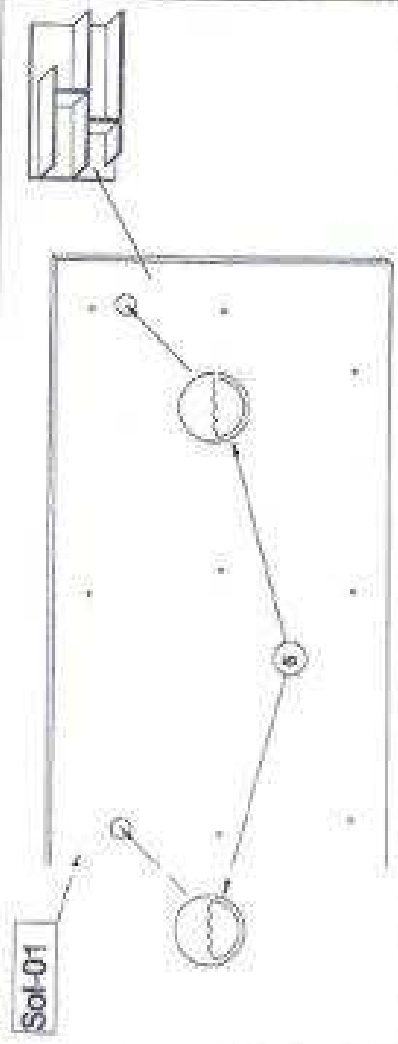
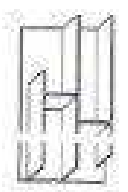
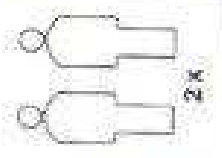
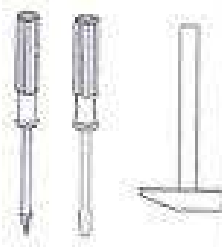


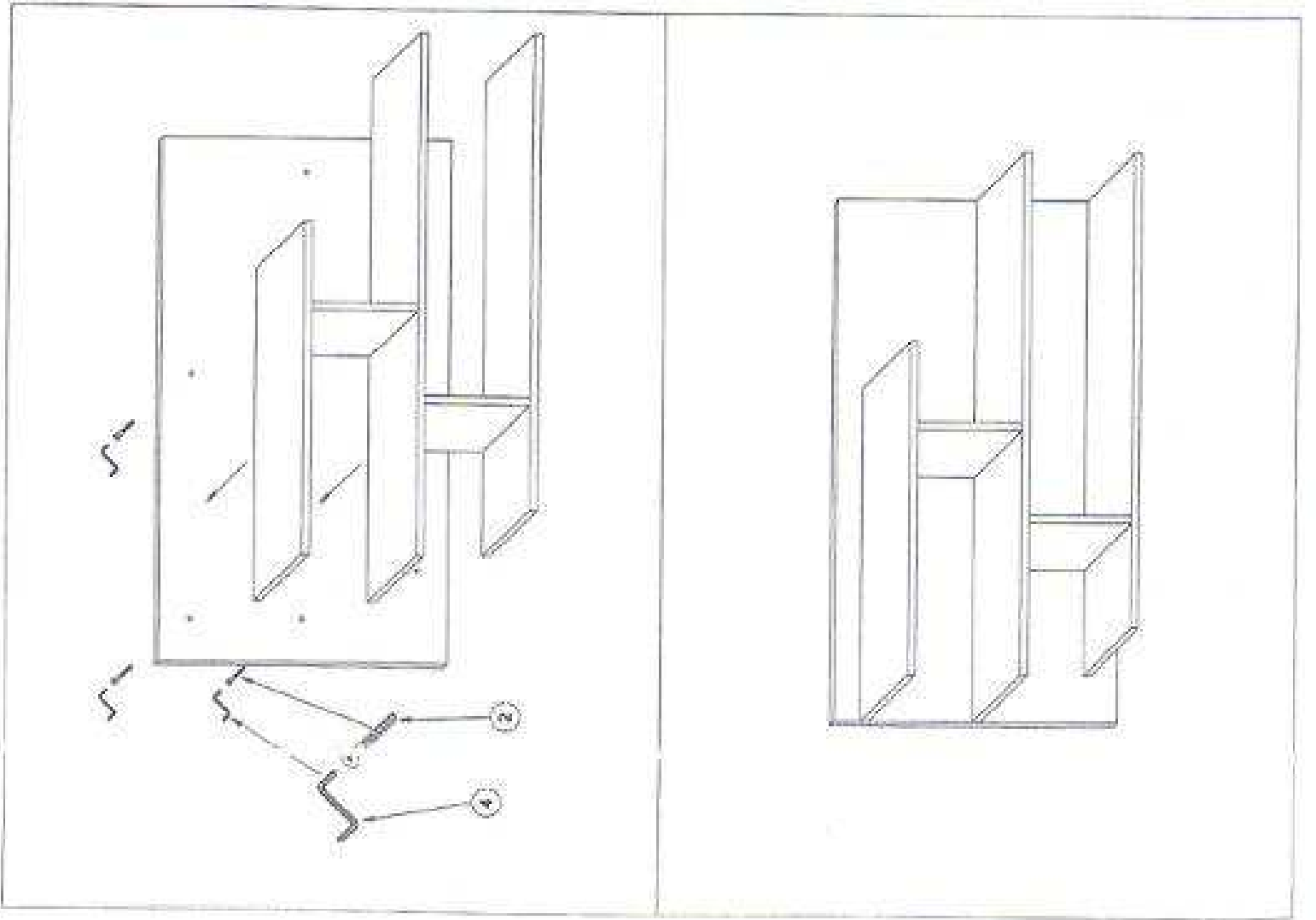




SOLO - P

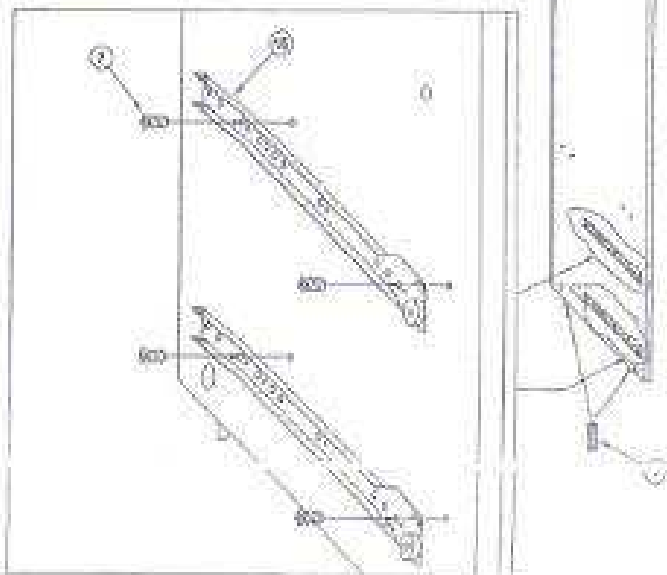
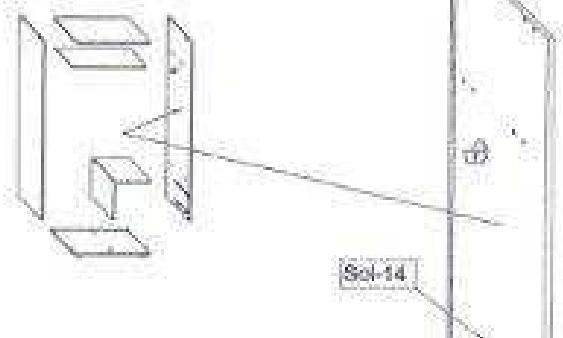
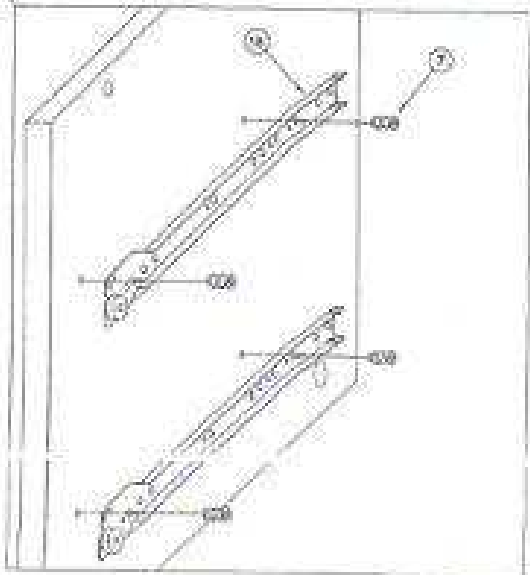
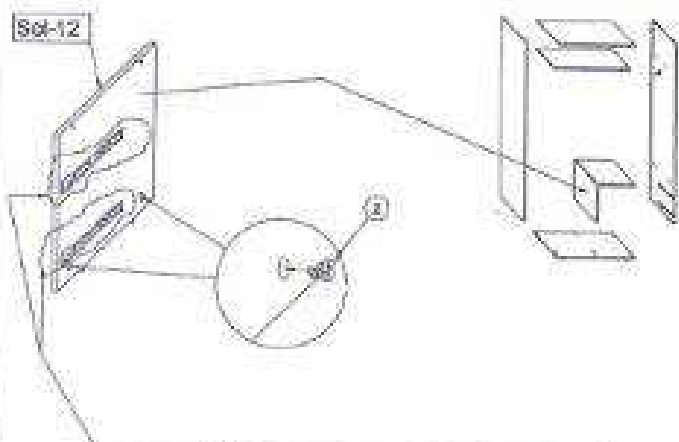
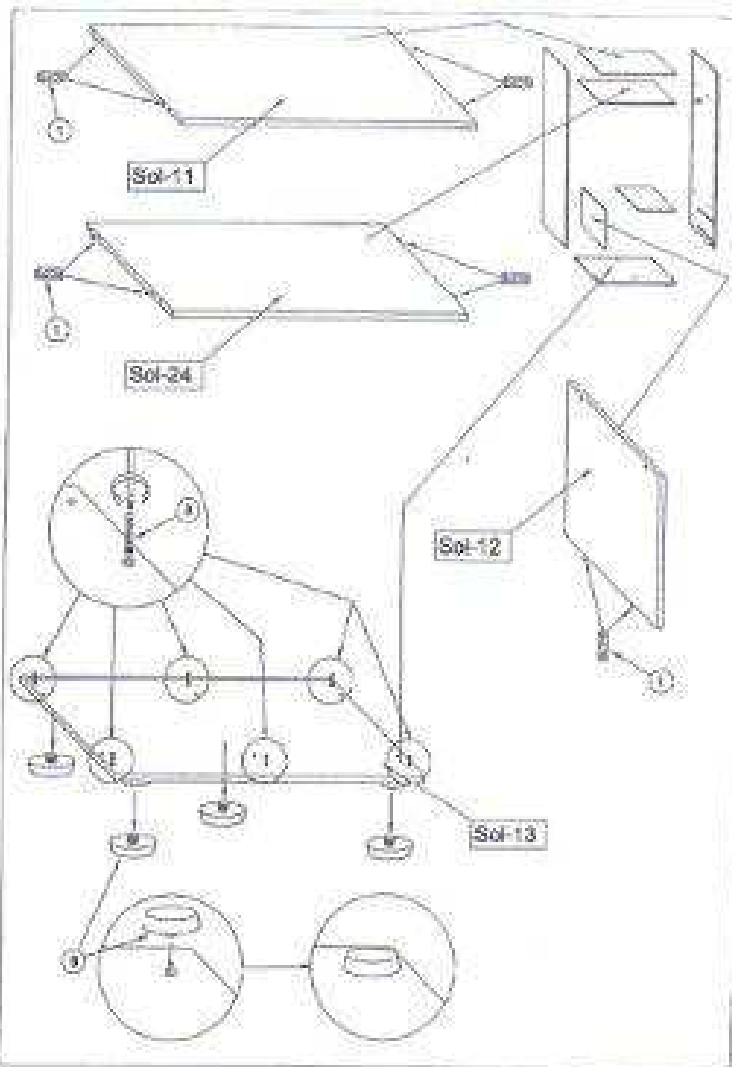
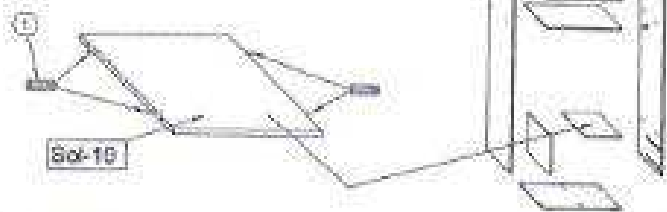
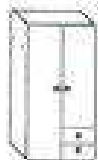
- ① 4 x 
- ② 14 x 
- ③ 6 x 
- ④ 1 x 
- ⑤ 2 x 

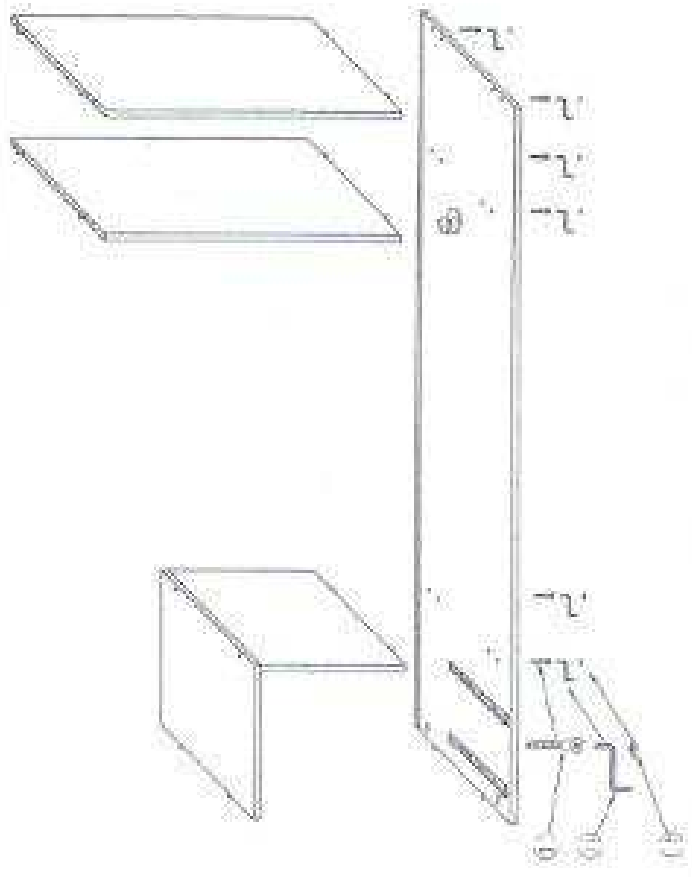
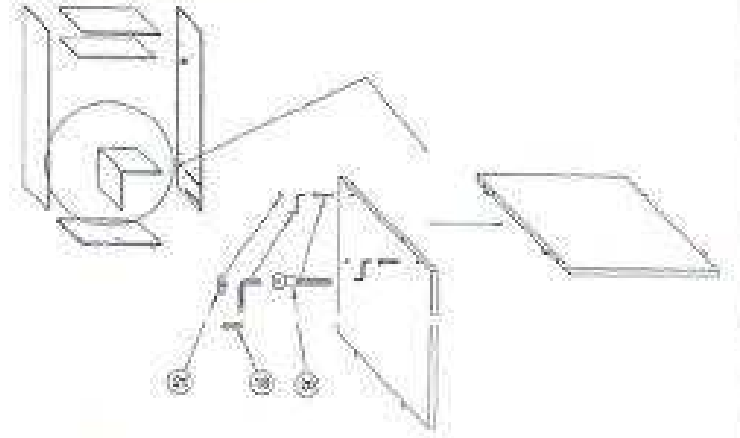
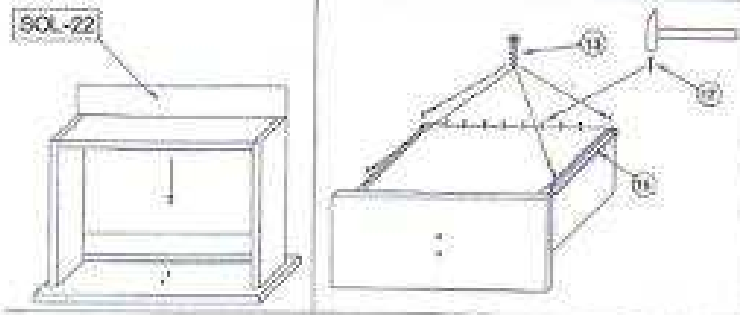
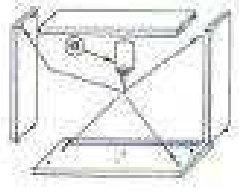
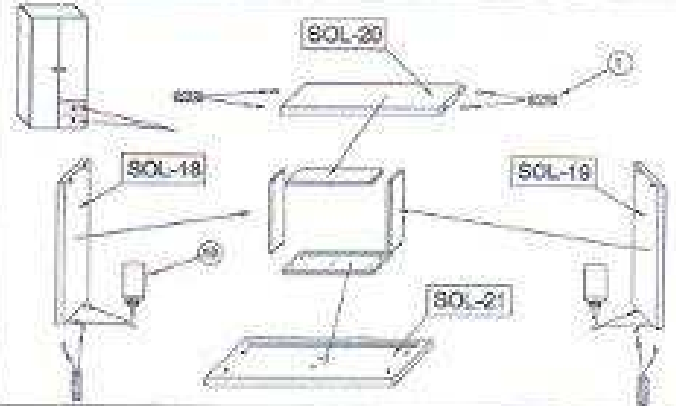
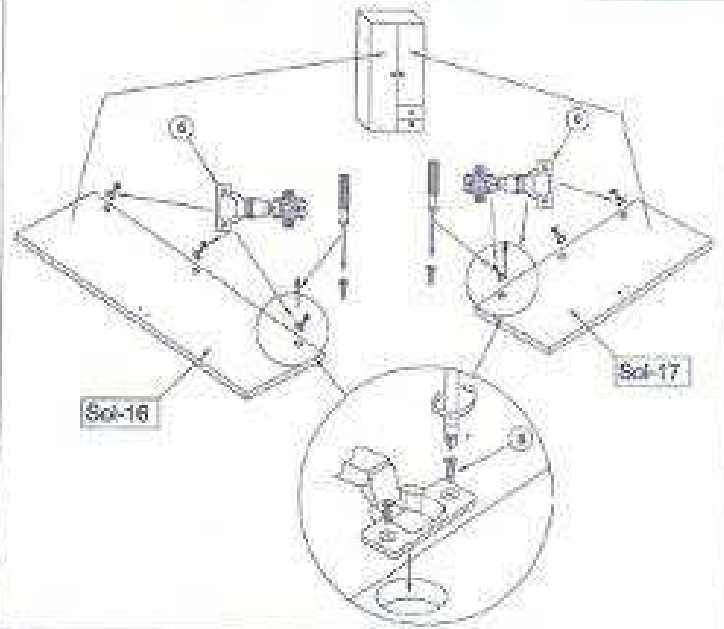
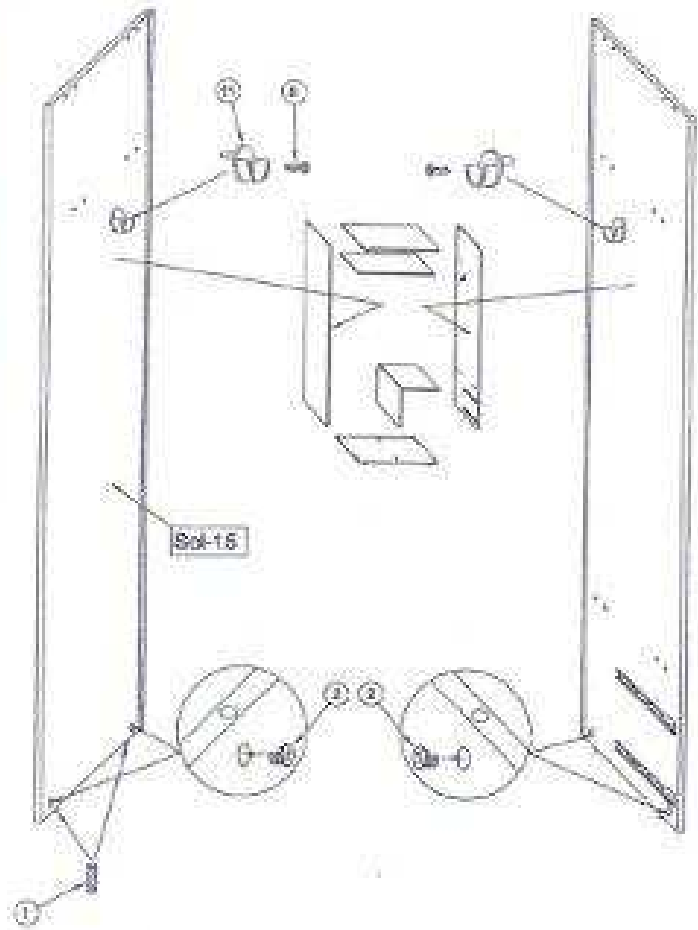


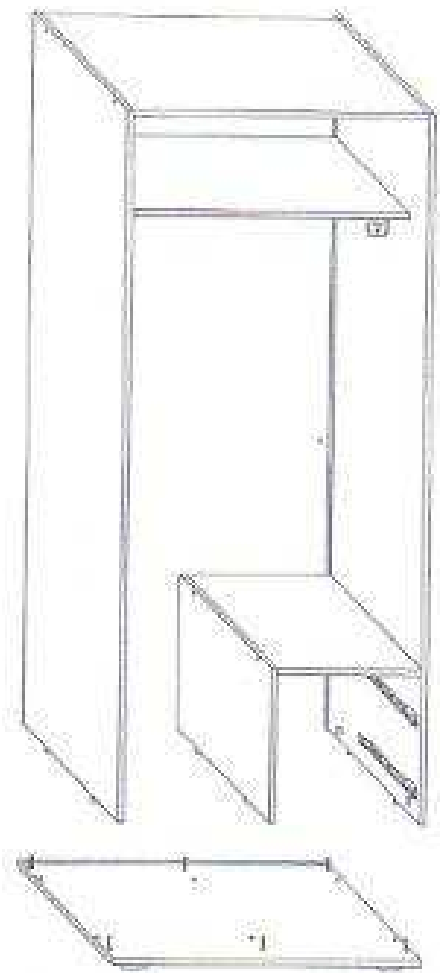
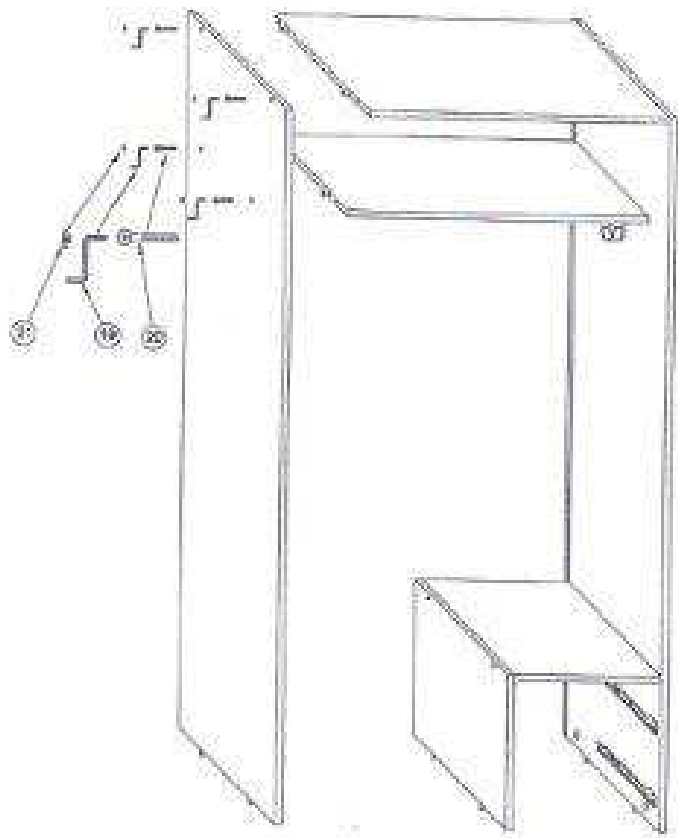


SOLO - SZ 2D2S

24 x	2 x	2 x	2 x	2 x
2 x	20 x	14 x	5 x	1 x
2 x	1 x	8 x	8 x	2 x (2x)
1 x	20 x	1 x	1 x	12 x
12 x	5 x	8 x		







SOI-23

