



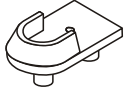














Worek Beutel 1

					 3x13		 4,2x13			 3,5x13	
<b>B</b> x 12	<b>C</b> x 31	<b>E</b> x31	<b>I</b> x 30	<b>L</b> x 4	<b>L1</b> x 4	<b>K</b> x 15	<b>K1</b> x 15	<b>D</b> x 5	<b>D1</b> x 4	<b>T</b> x 10	<b>A</b> x 12

Worek Beutel 2


	 3,5 x13	 4x30
<b>R</b> x 12	<b>R1</b> x 24	<b>R2</b> x 32

Worek Beutel 3


	 4x20
<b>P</b> x 8	<b>P1</b> x 8

1


**C**  
x 19




**E**  
x 19




**B**  
x 12




**L**  
x 4




**L1**  
x 4




**I**  
x 18



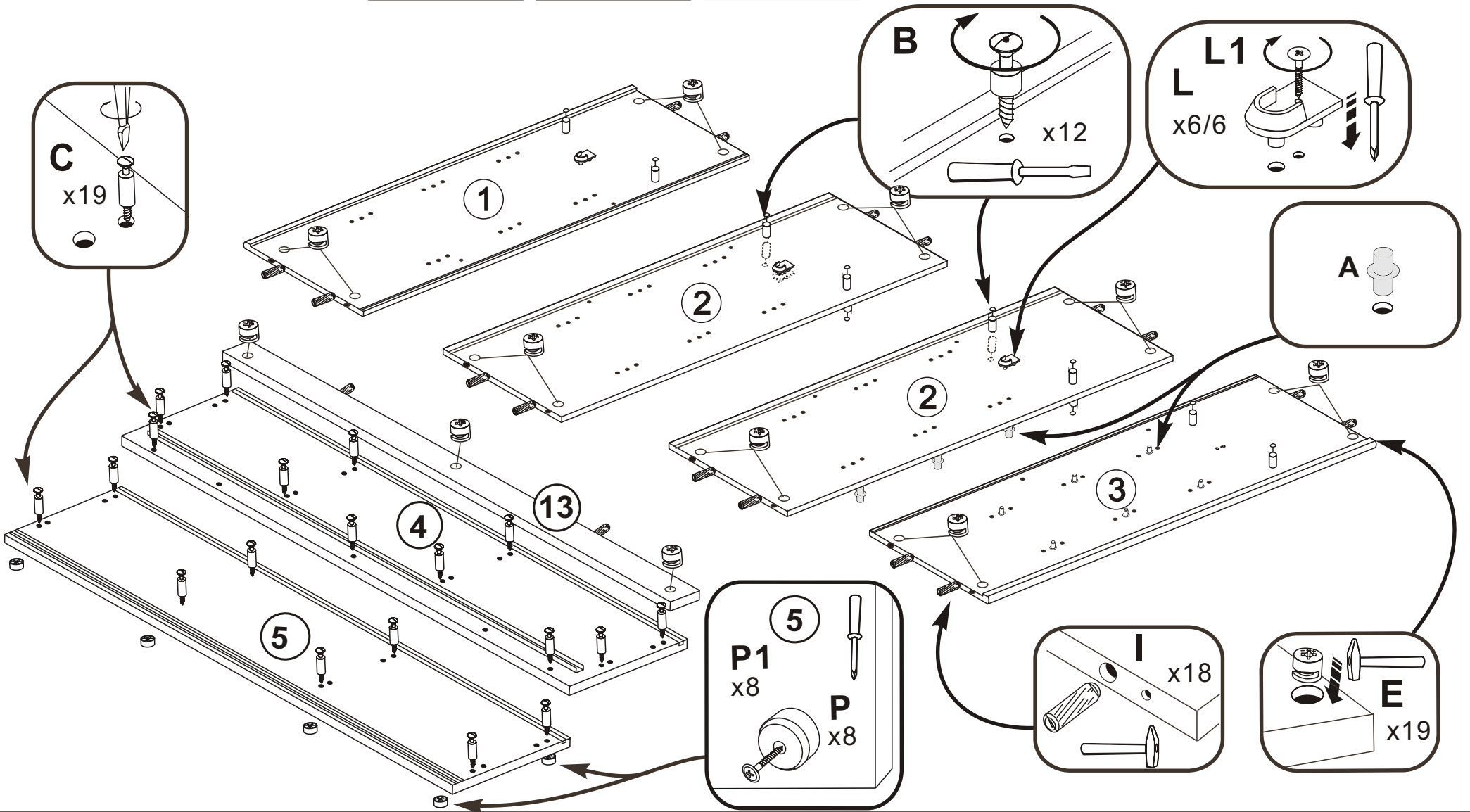
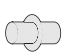
**P**  
x 8



**P1**  
4x20 x 8



**A**  
x 12



2

K

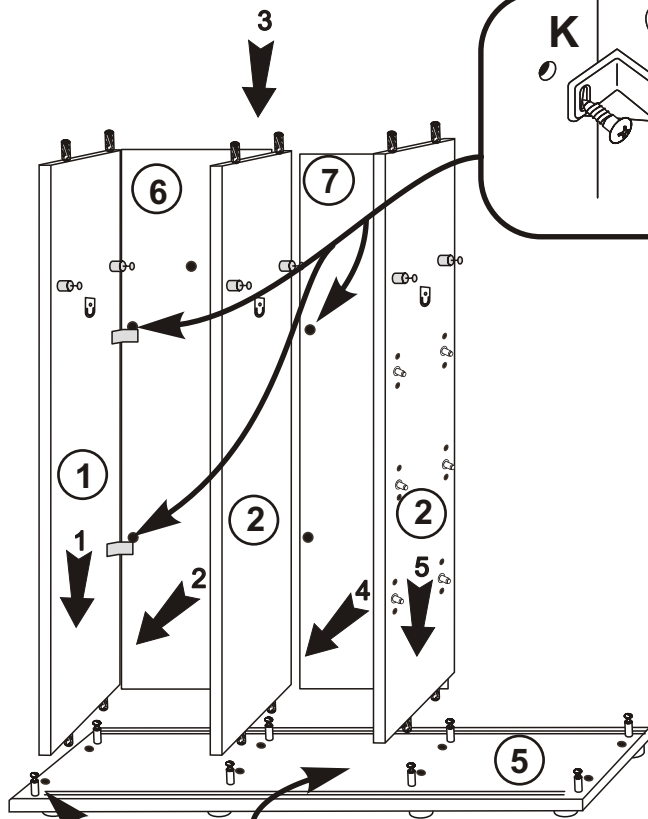


x 8

K1



4,2x13 x 8



3

K

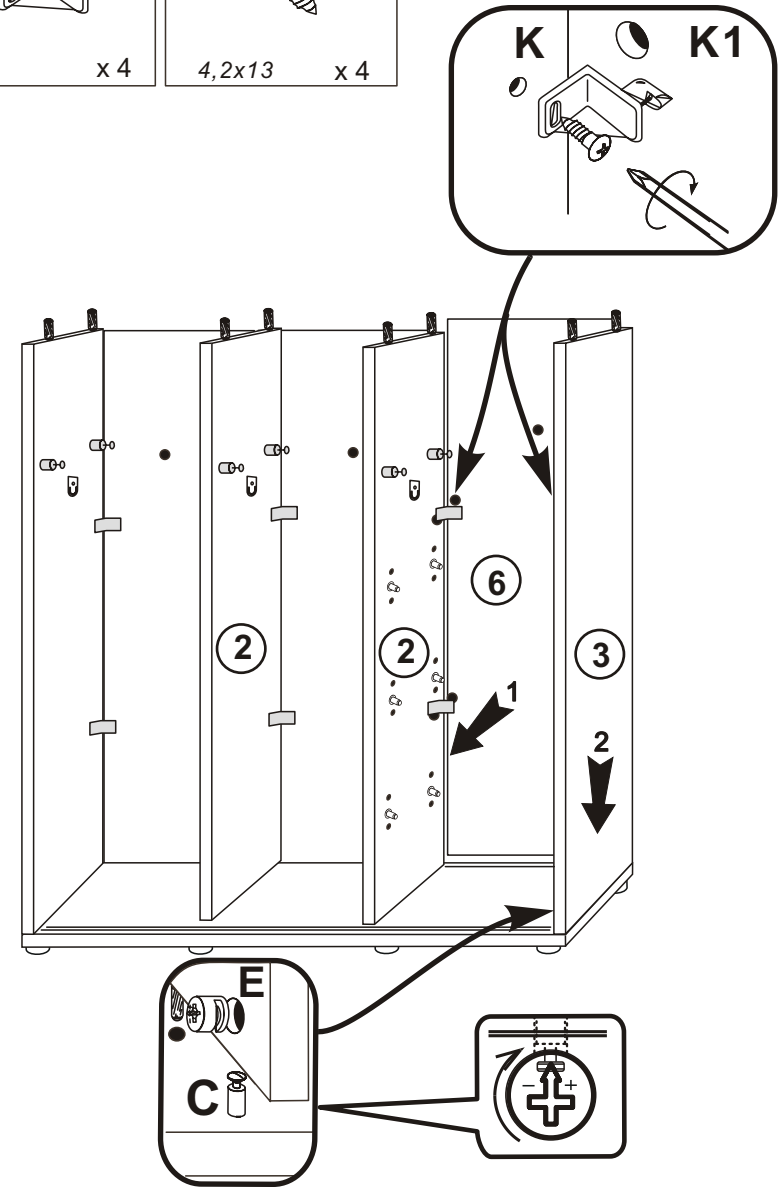


x 4

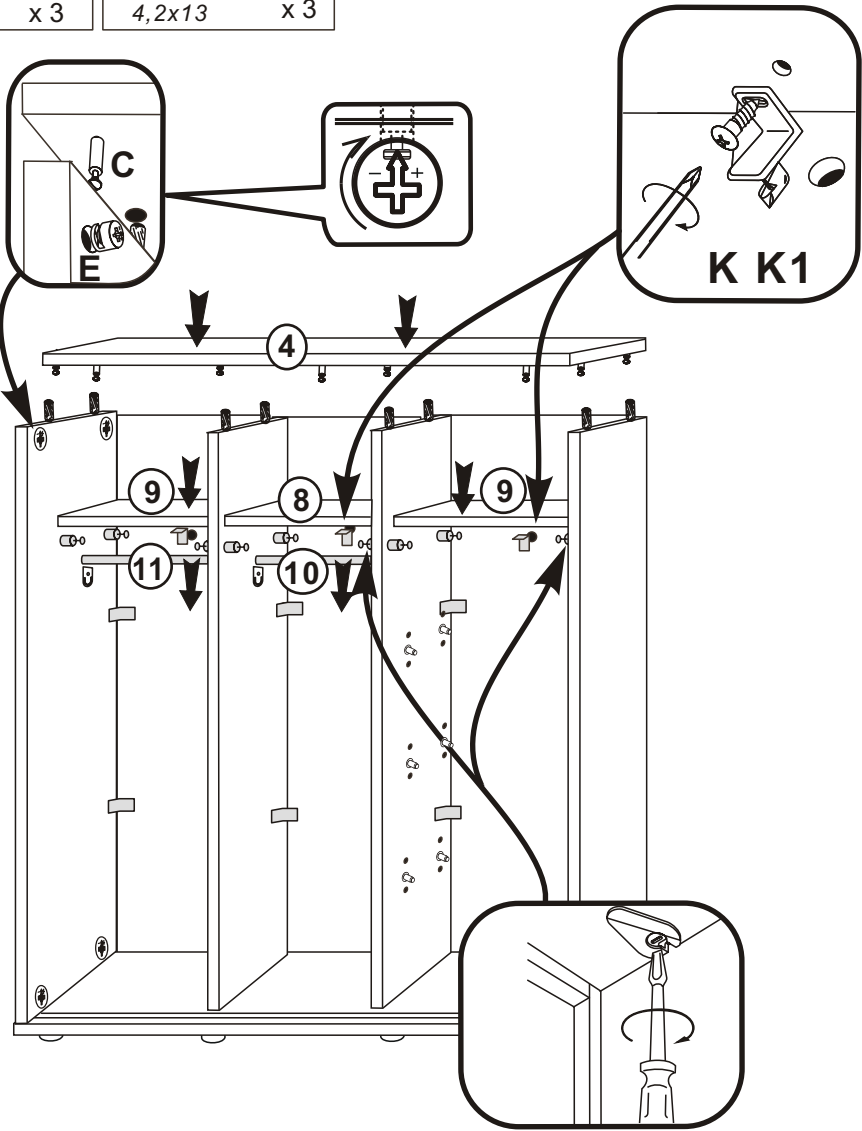
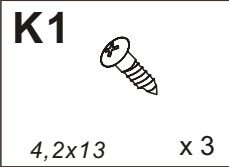
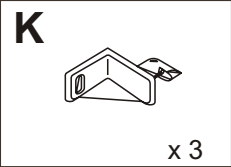
K1



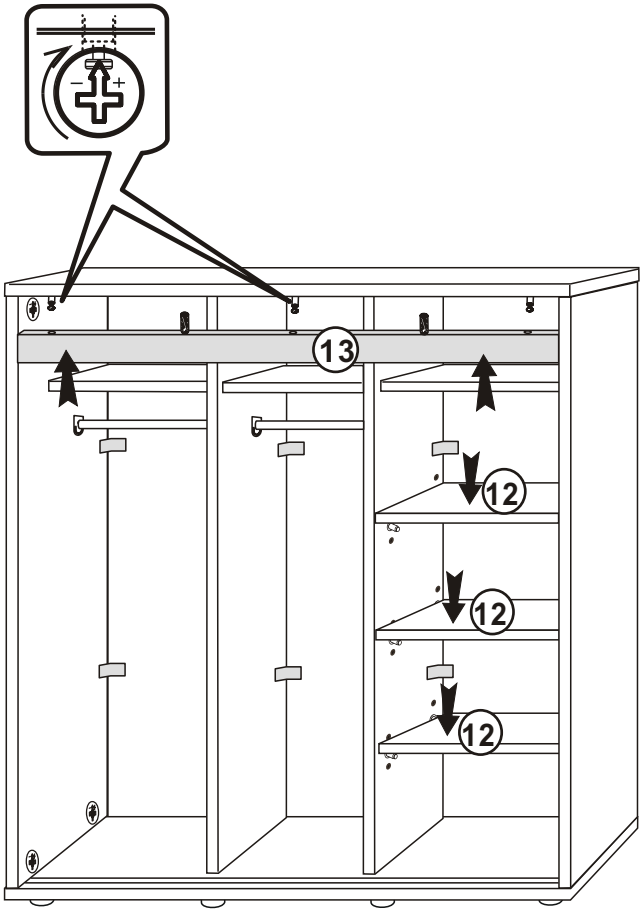
4,2x13 x 4



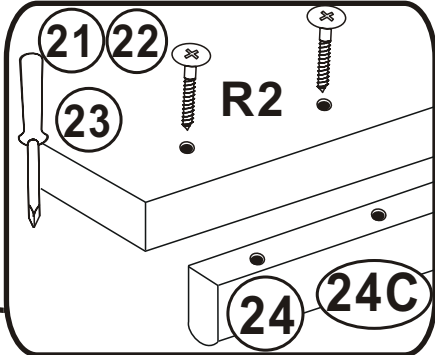
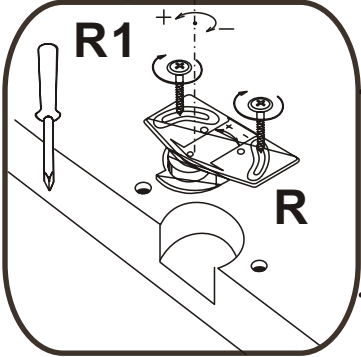
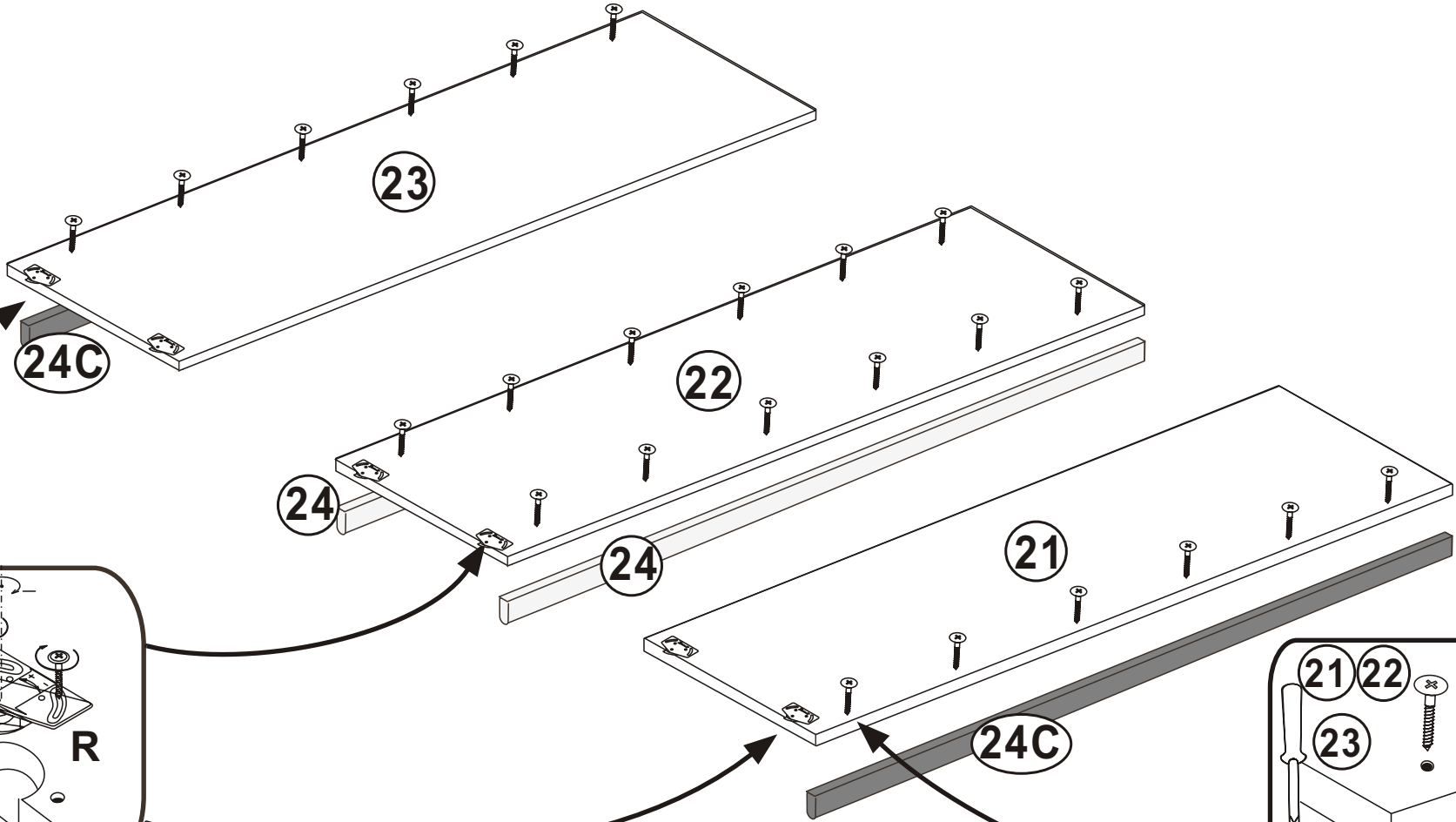
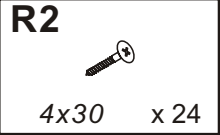
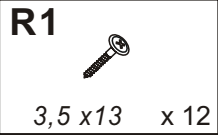
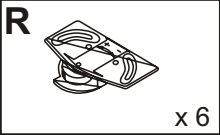
4



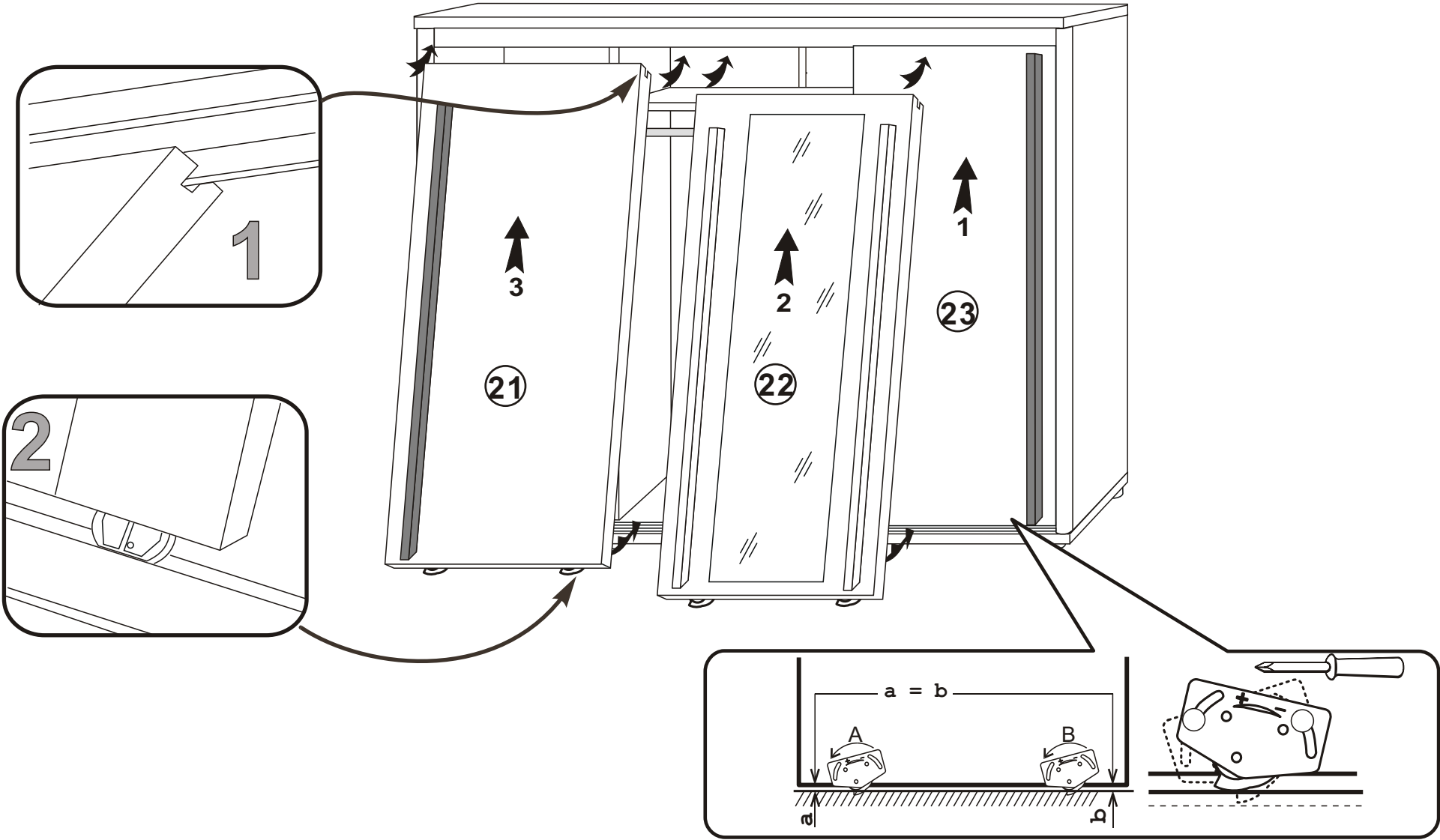
5




6





7

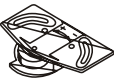



8


**C**  
  
x 9

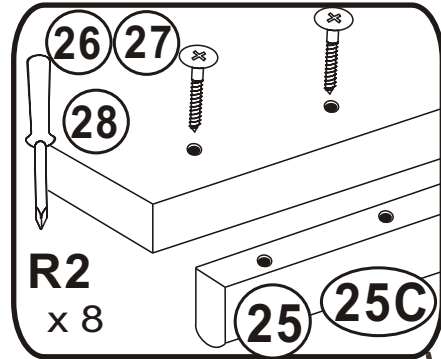
**E**  
  
x 12

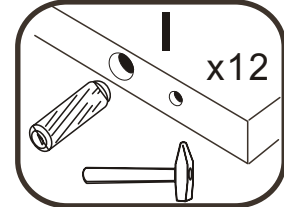
**I**  
  
x 12

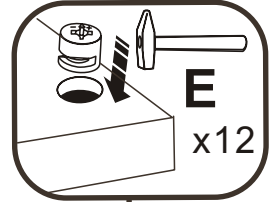
**R**  
  
x 6

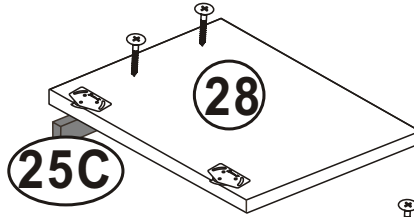
**R1**  
  
3,5 x13 x 12

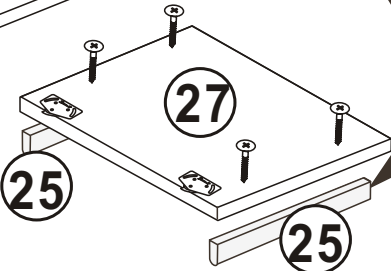
**R2**  
  
4x30 x 8

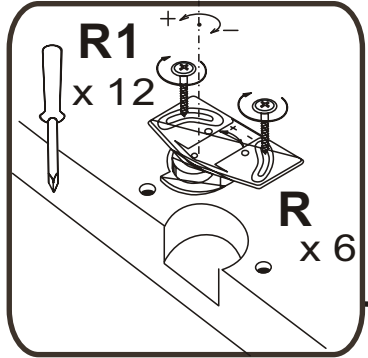
**R2**  
x 8  


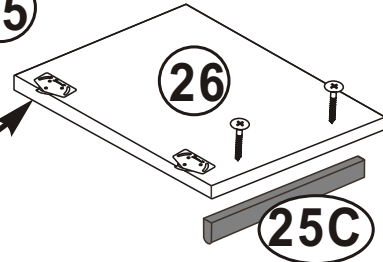
**I**  
x12  


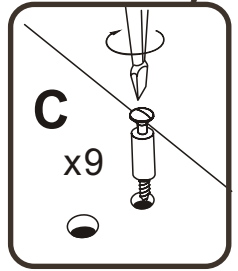
**E**  
x12  


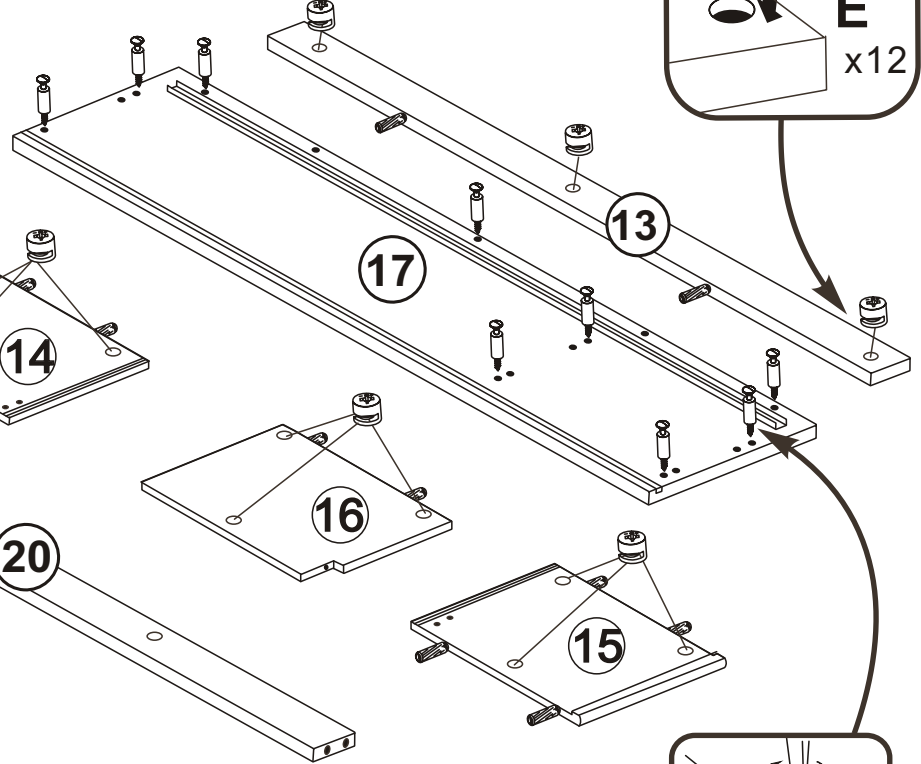
**25C**  
**28**  


**25**  
**27**  
**25**  


**R1**  
x 12  
**R**  
x 6  


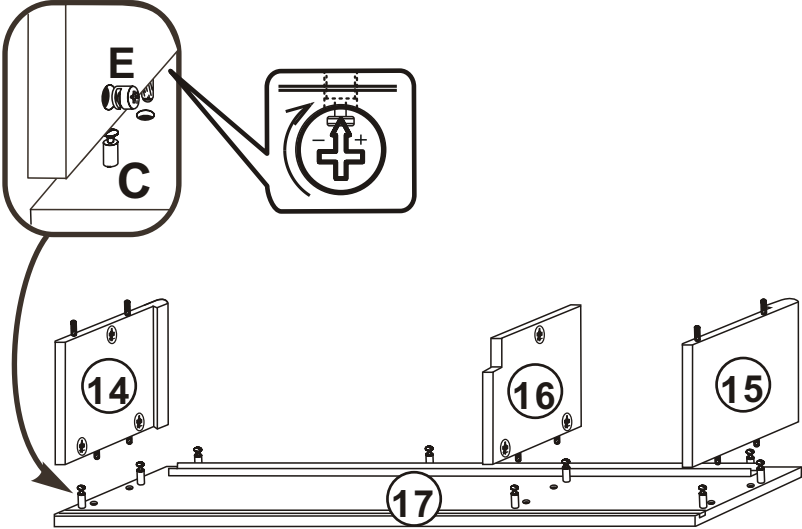
**26**  
**25C**  


**C**  
x 9  


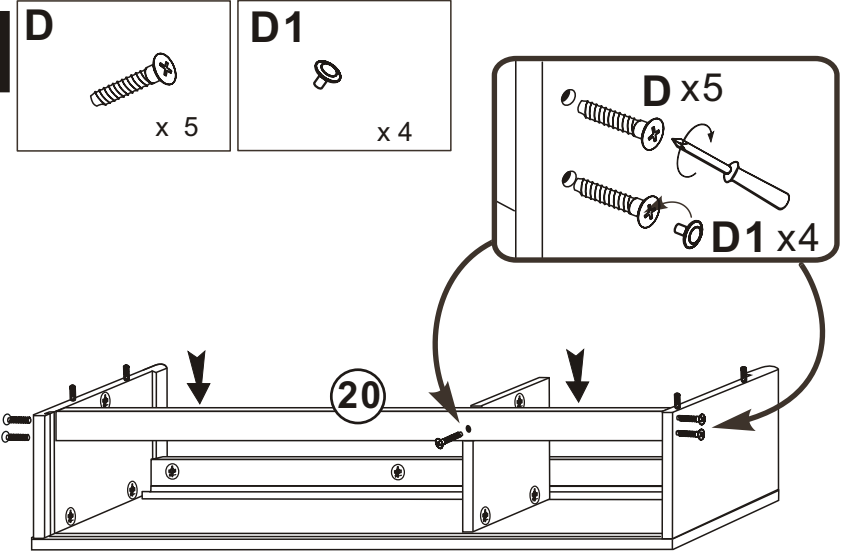




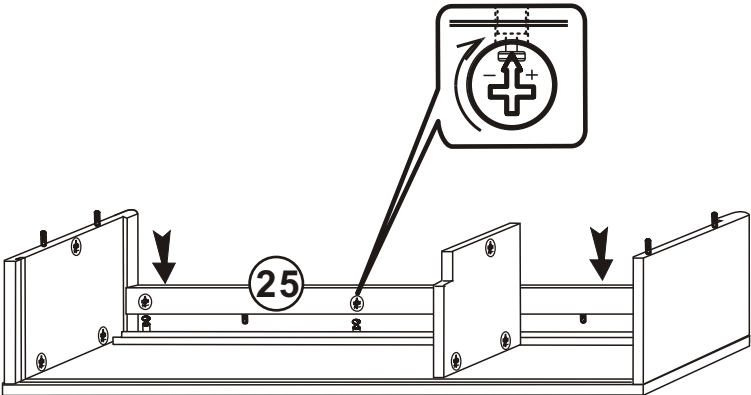
9



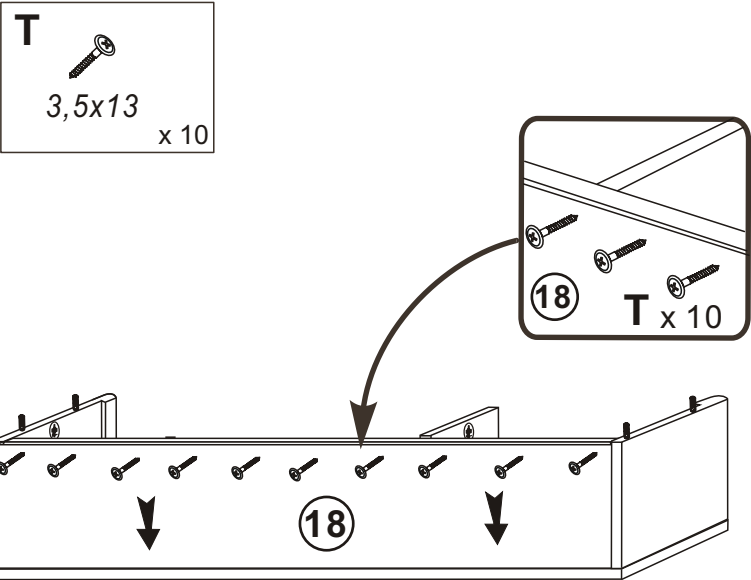
11



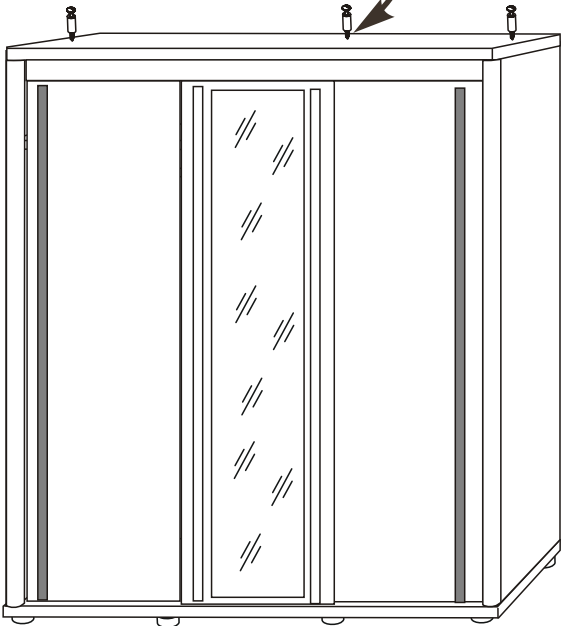
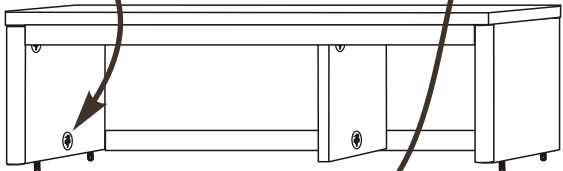
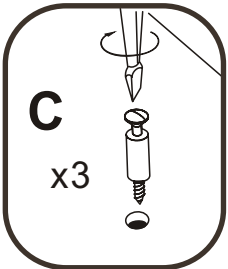
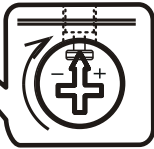
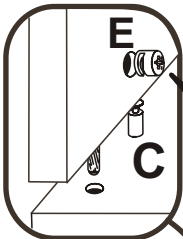
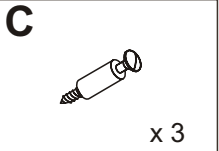
10



12



13



14

