

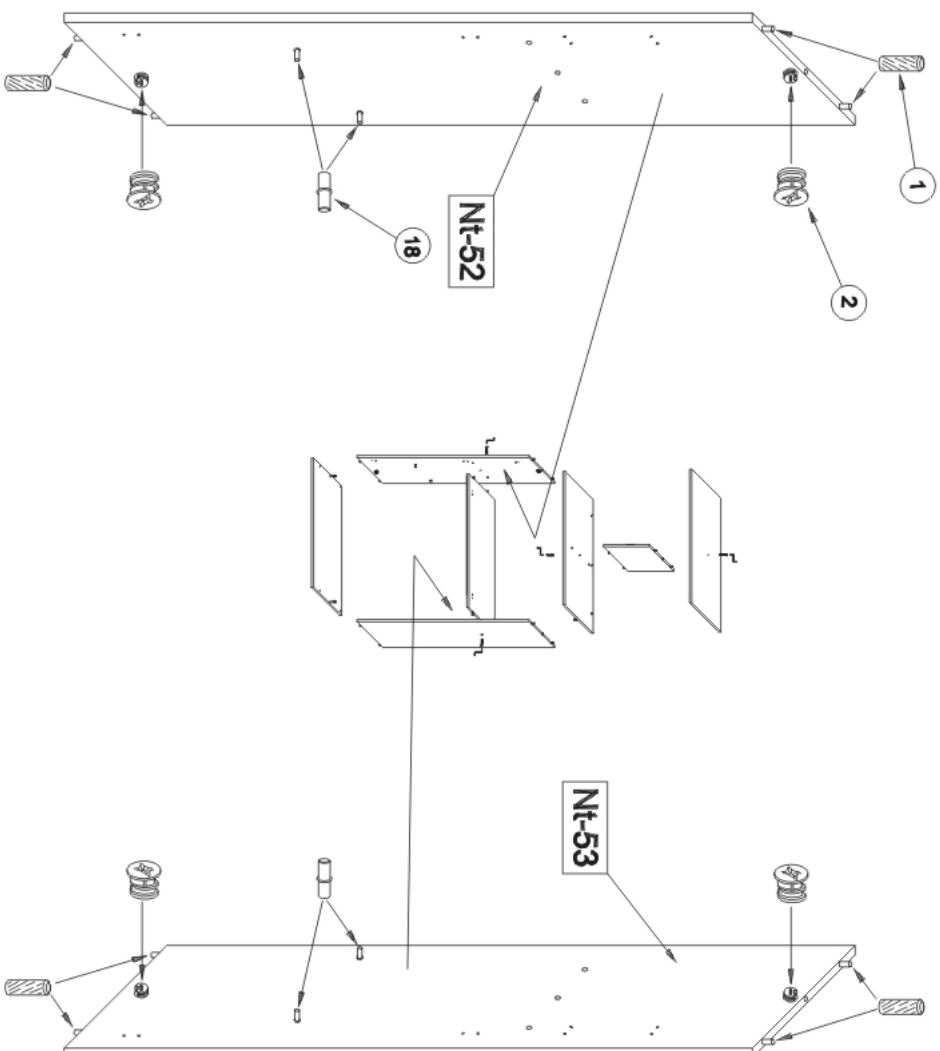
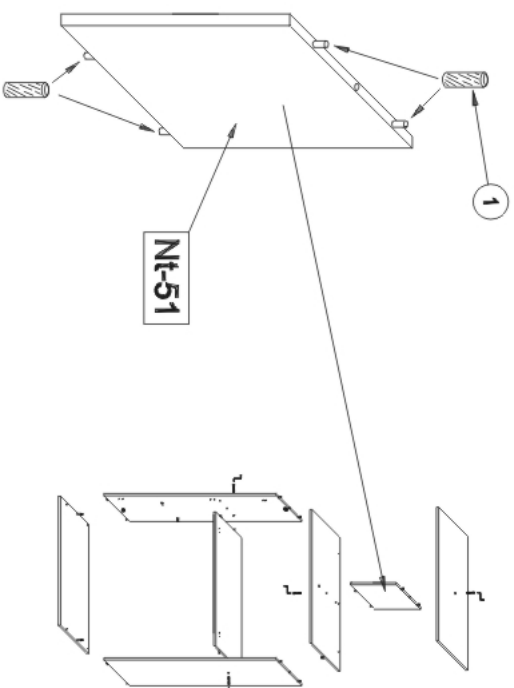
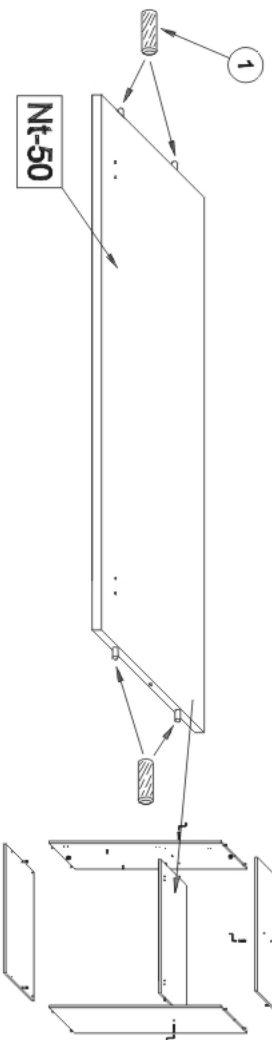
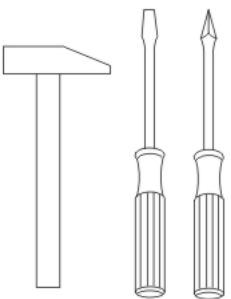
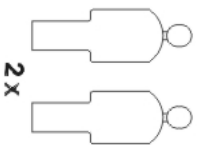
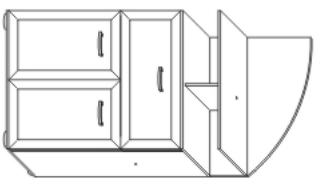
"NATALIA" - B

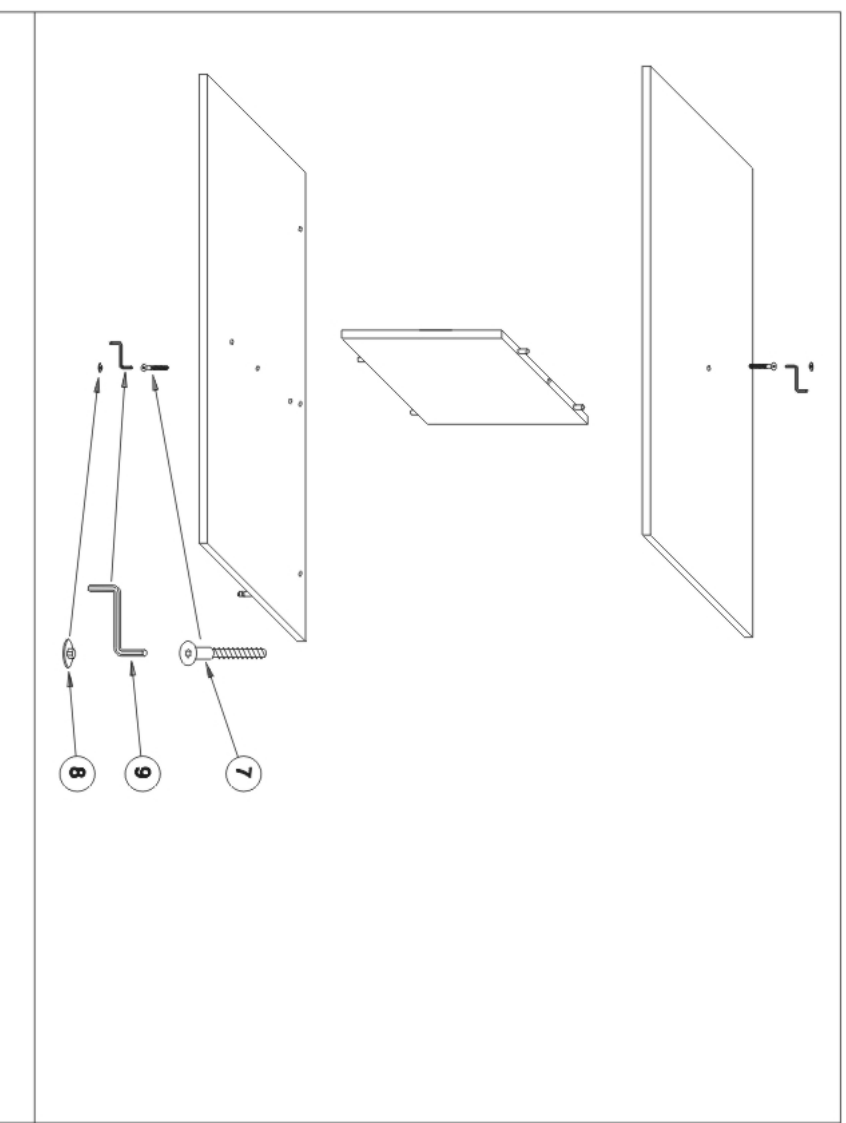
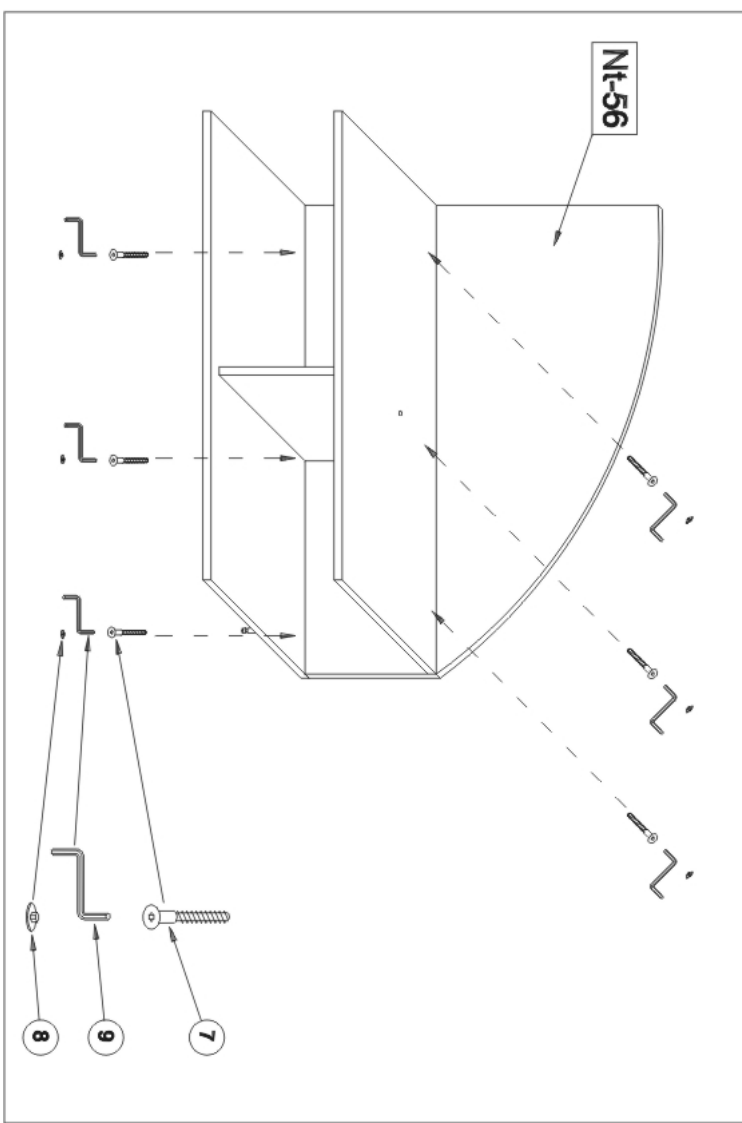
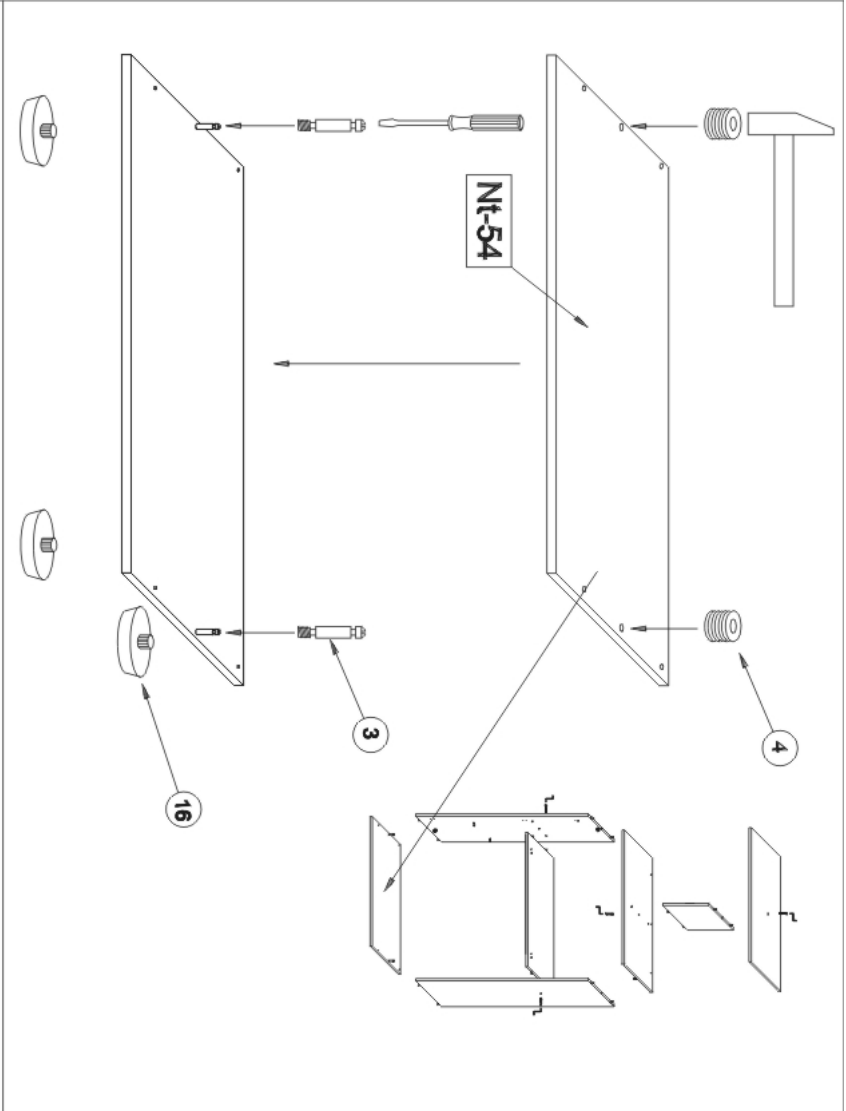
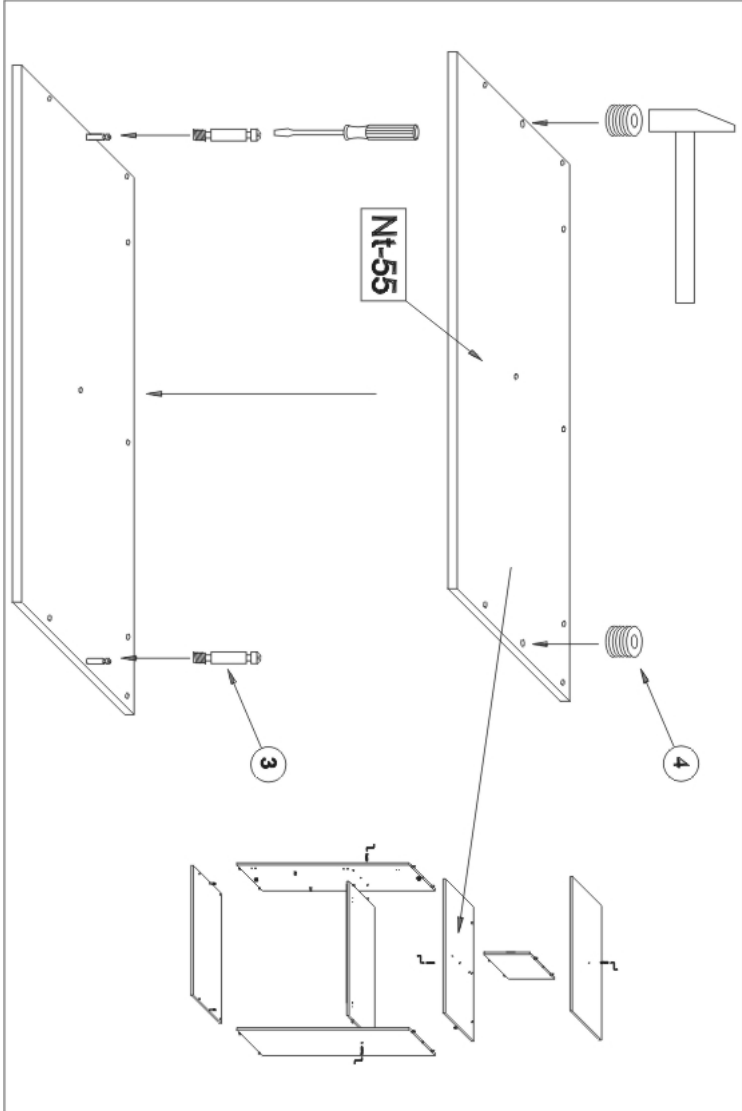
- 1 12 x Ø8x36
- 2 4 x
- 3 4 x
- 4 4 x
- 5 4 x

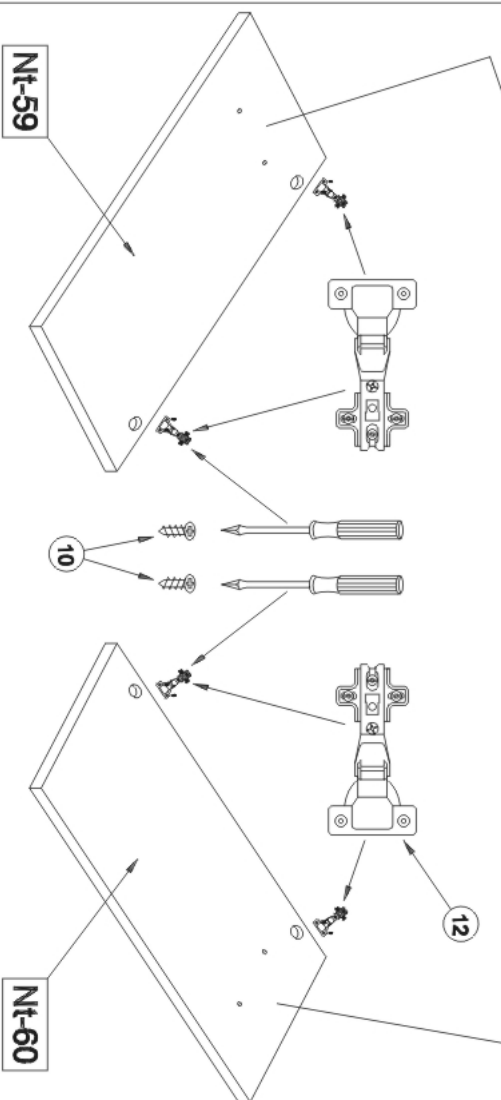
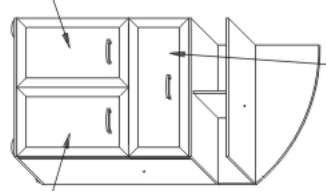
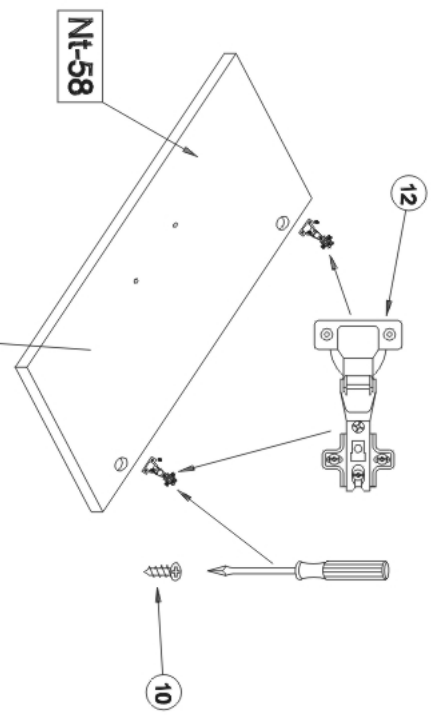
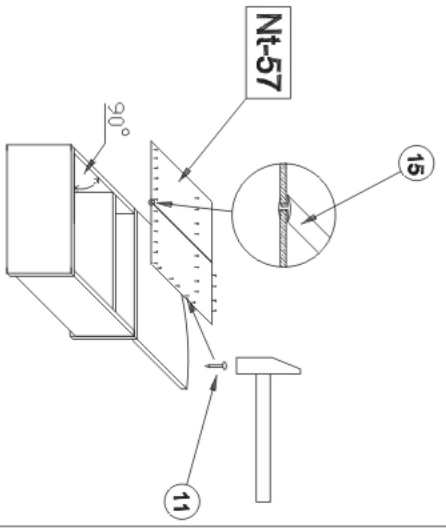
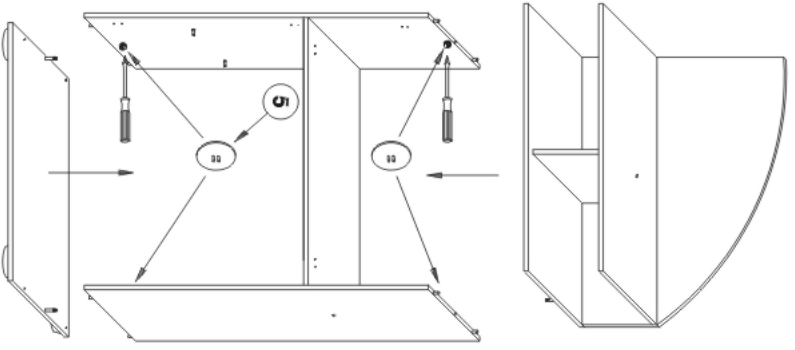
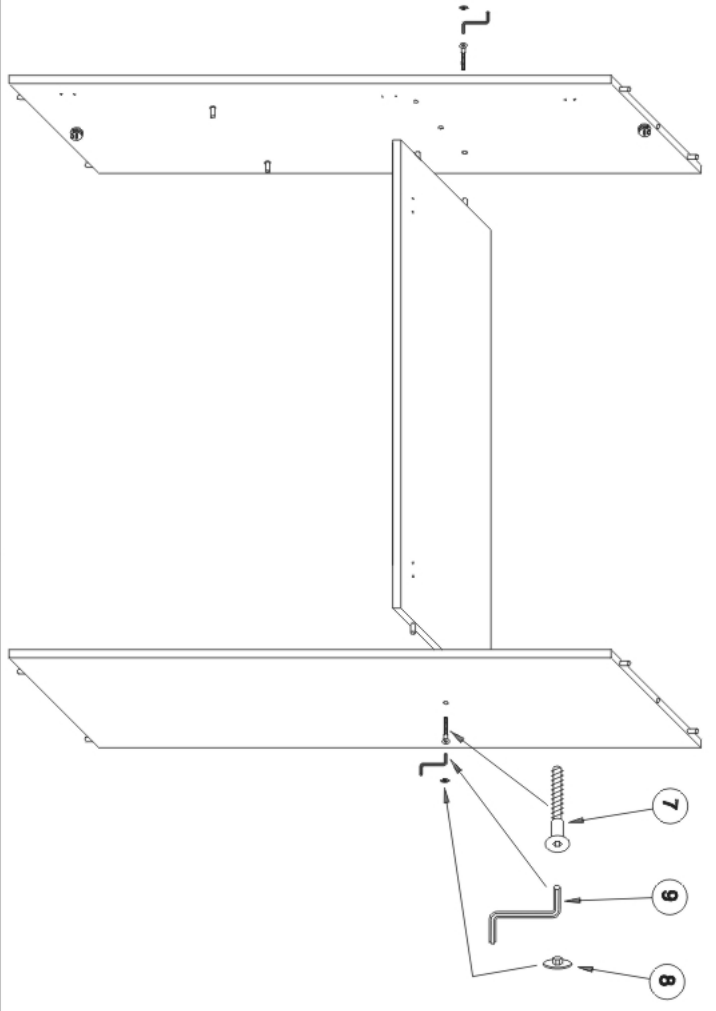
- 6 12 x 6,3x13
- 7 9 x
- 8 9 x
- 9 1 x
- 10 18 x 3,5x16

- 11 60 x 1,2x25
- 12 6 x
- 13 8 x 3,5x25
- 14 3 x
- 15 1 x

- 16 4 x
- 17 2 x 1L,1P
- 18 4 x







Nt-58

Nt-59

Nt-60

Nt-57

10

10

12

12

10

15

11

90°

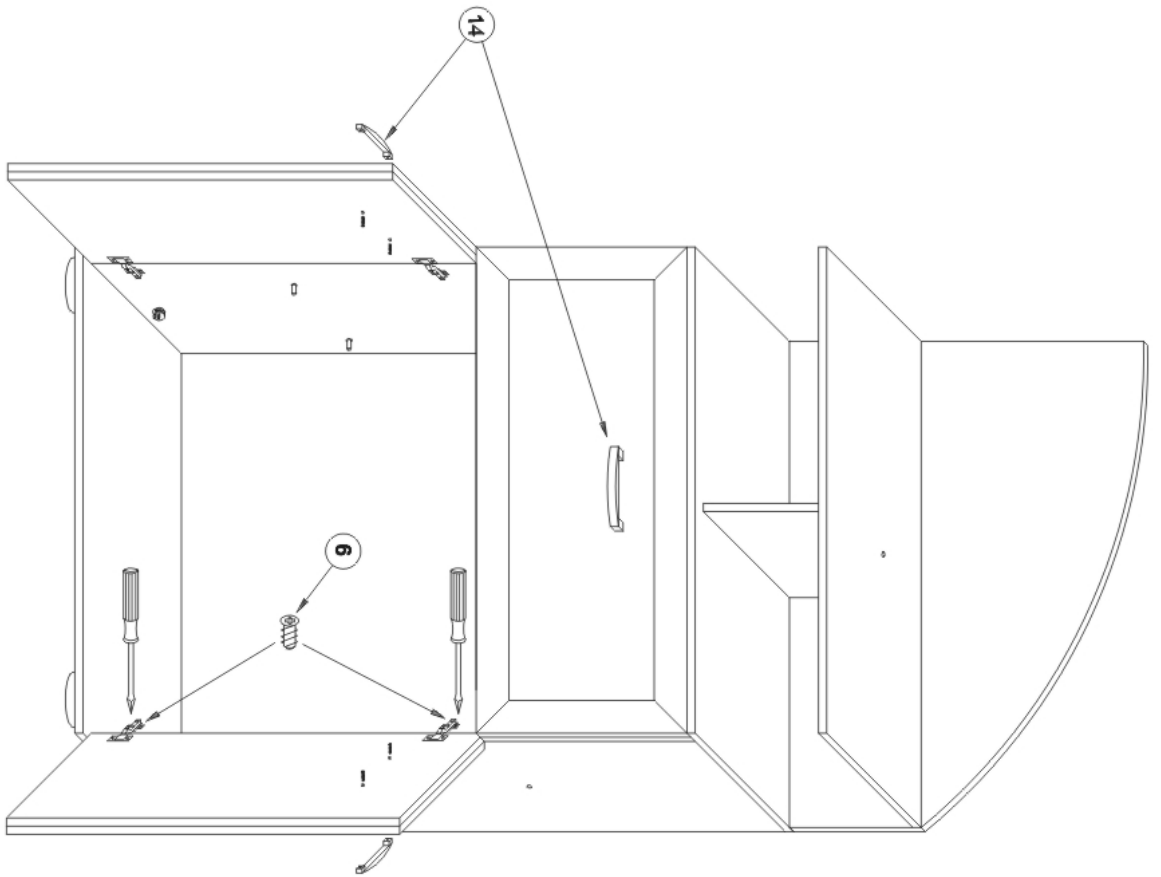
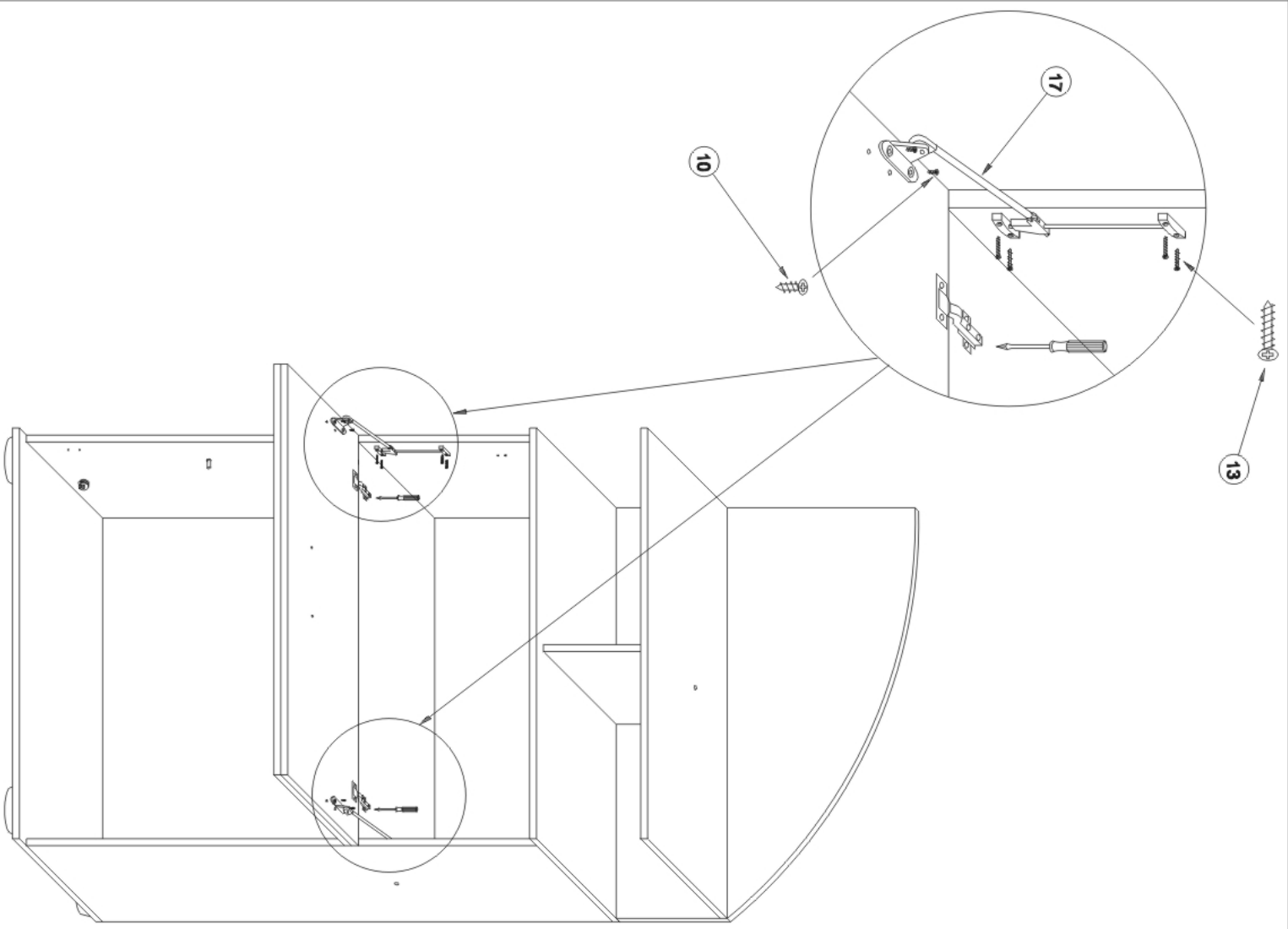
7

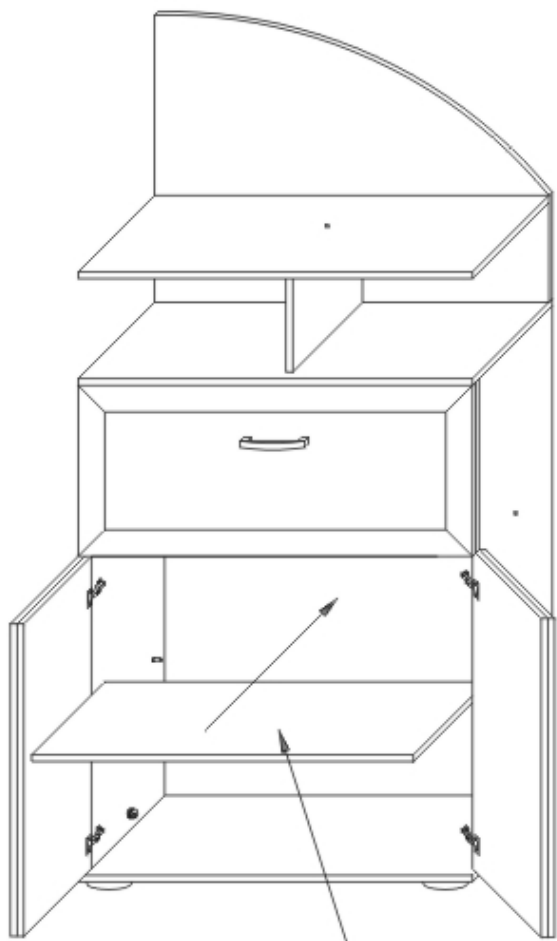
9

8

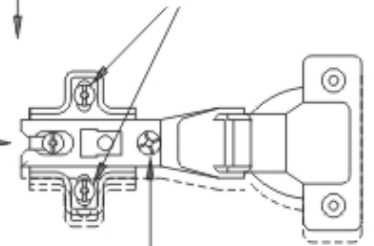
5

6




















Nt-61




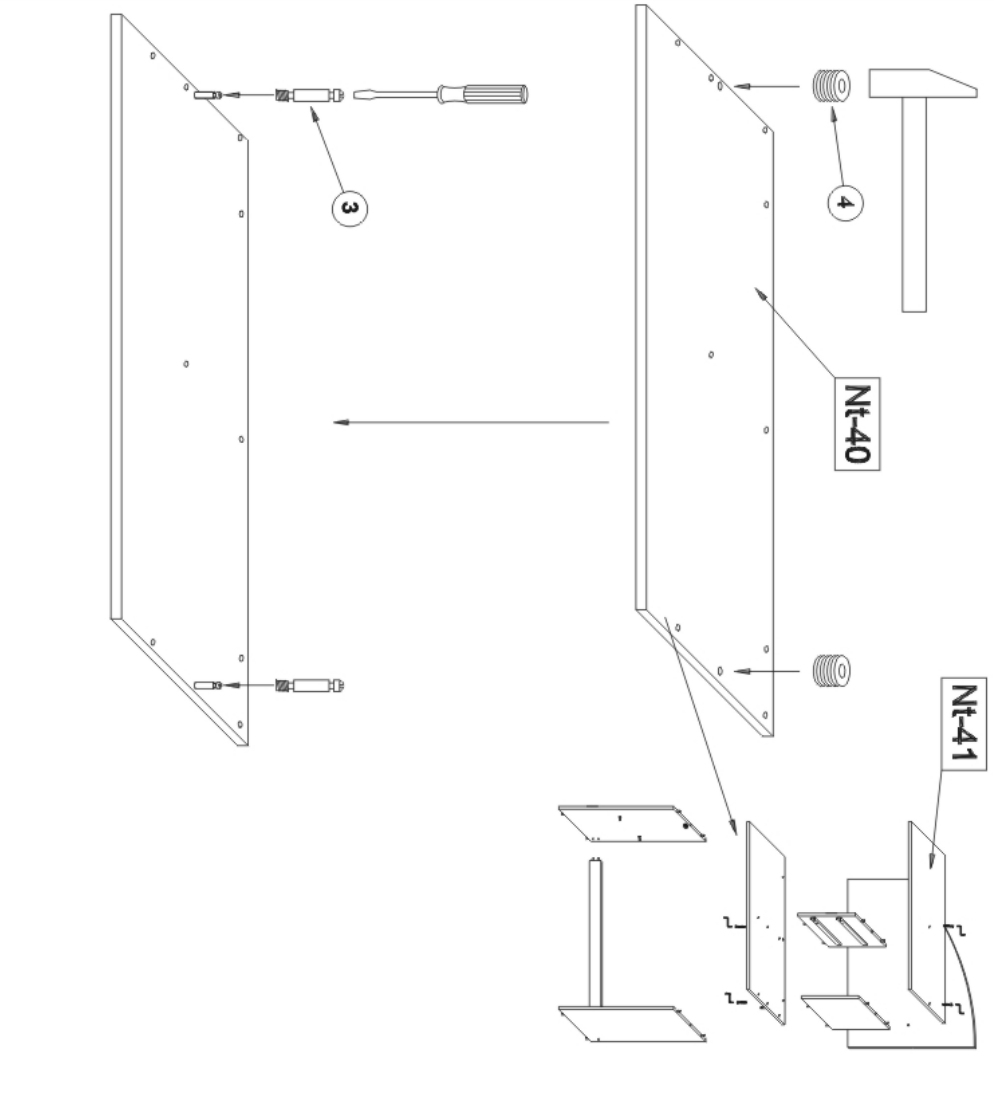
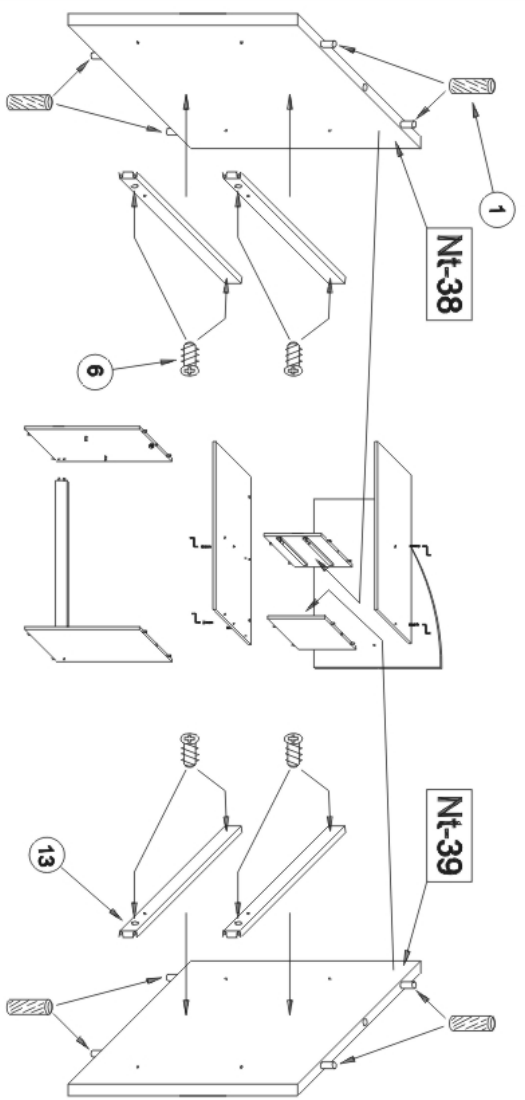
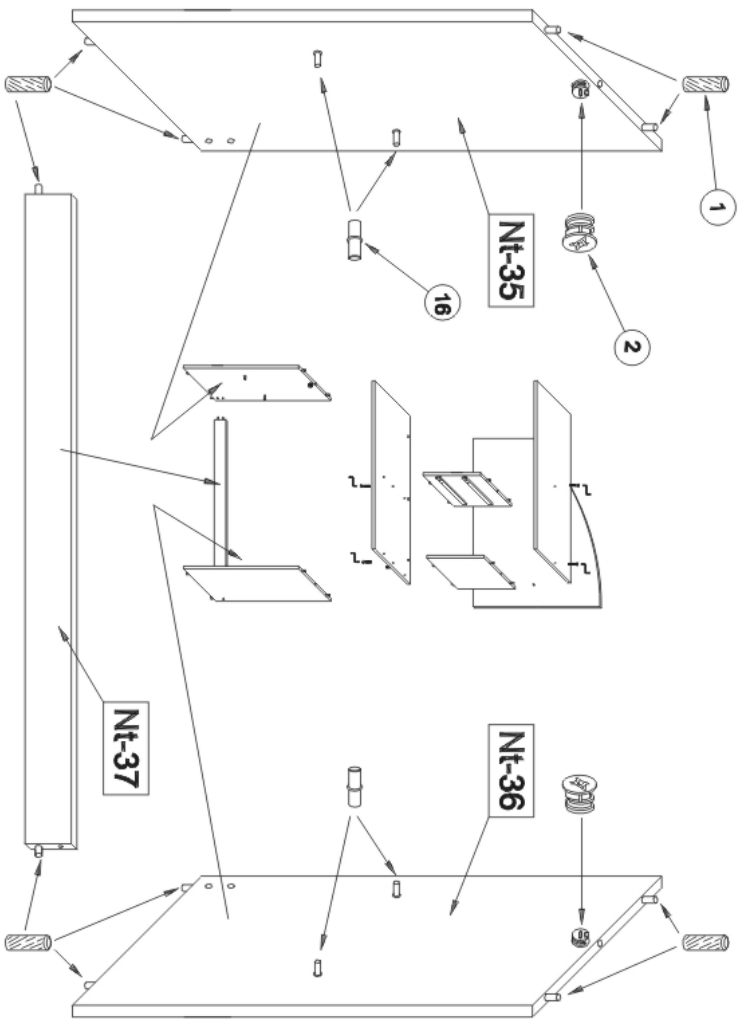
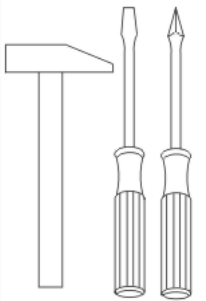
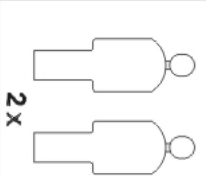
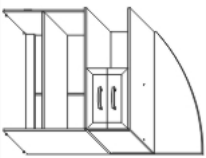
"NATALIA" - N

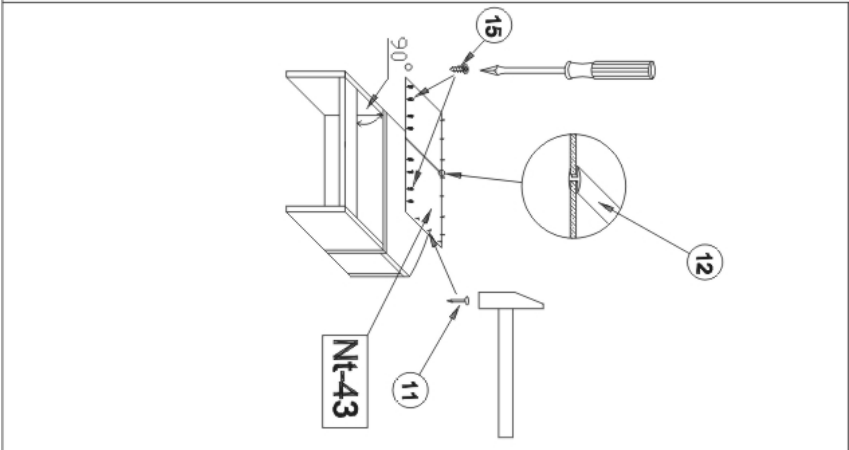
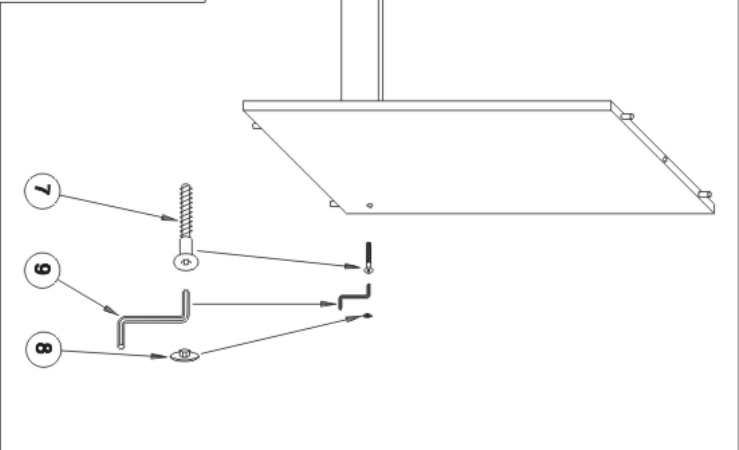
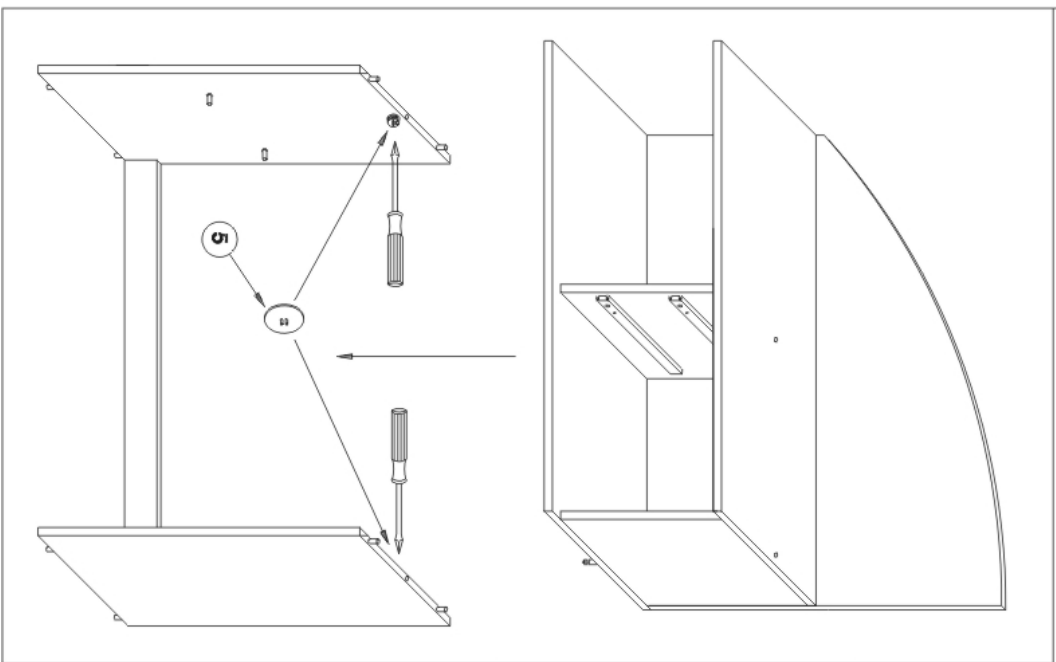
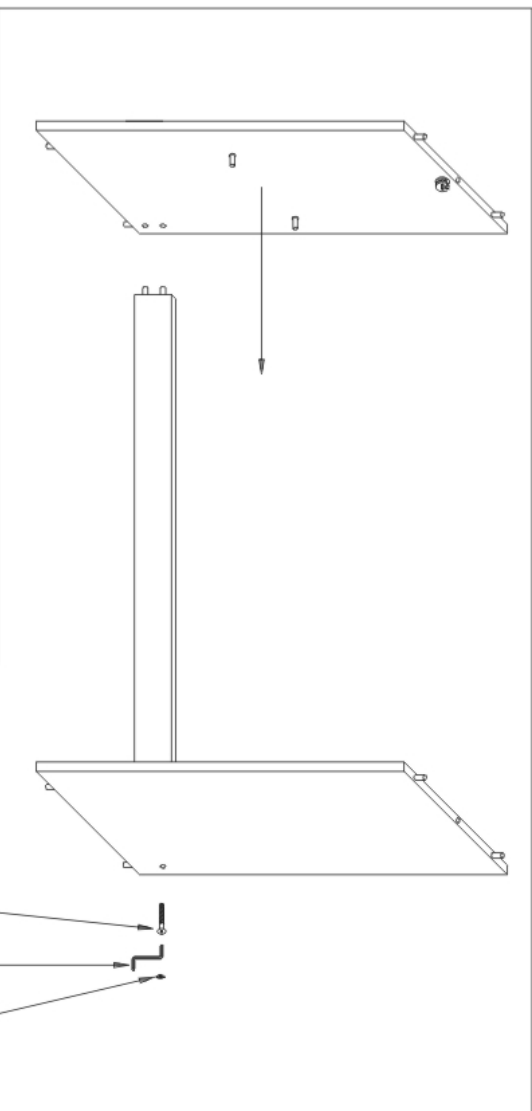
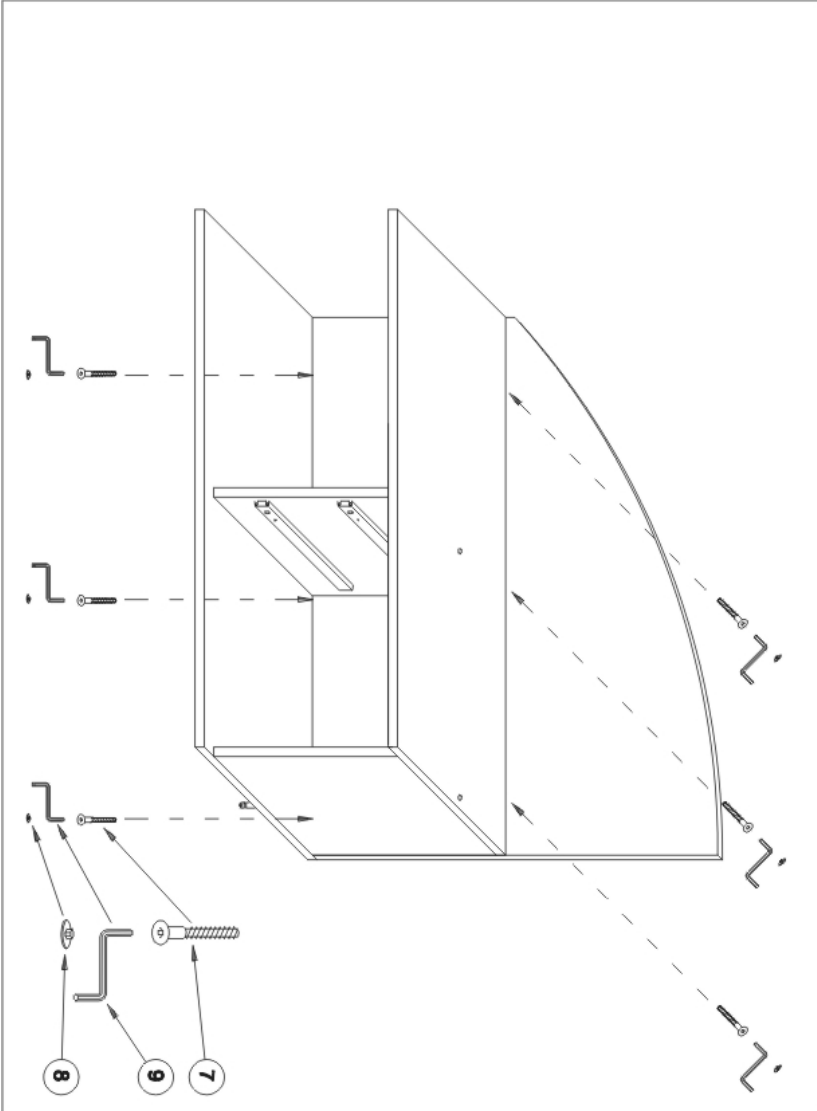
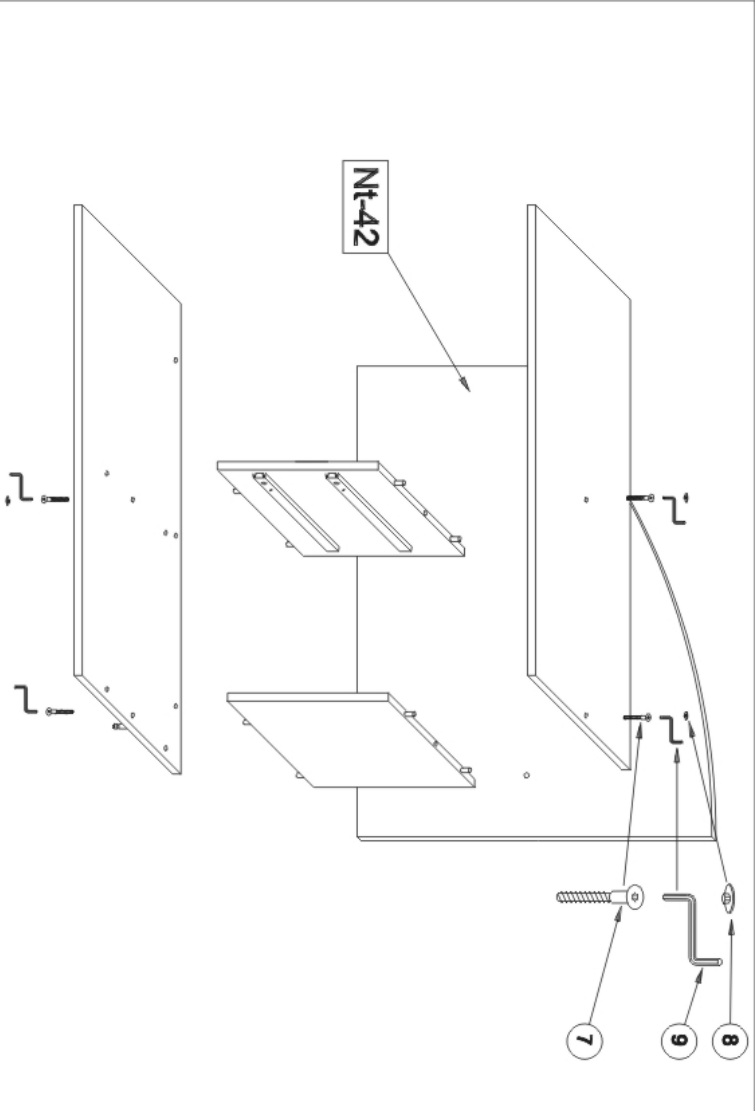
- 1 20 x  98x36
- 2 2 x 
- 3 2 x 
- 4 2 x 
- 5 2 x 

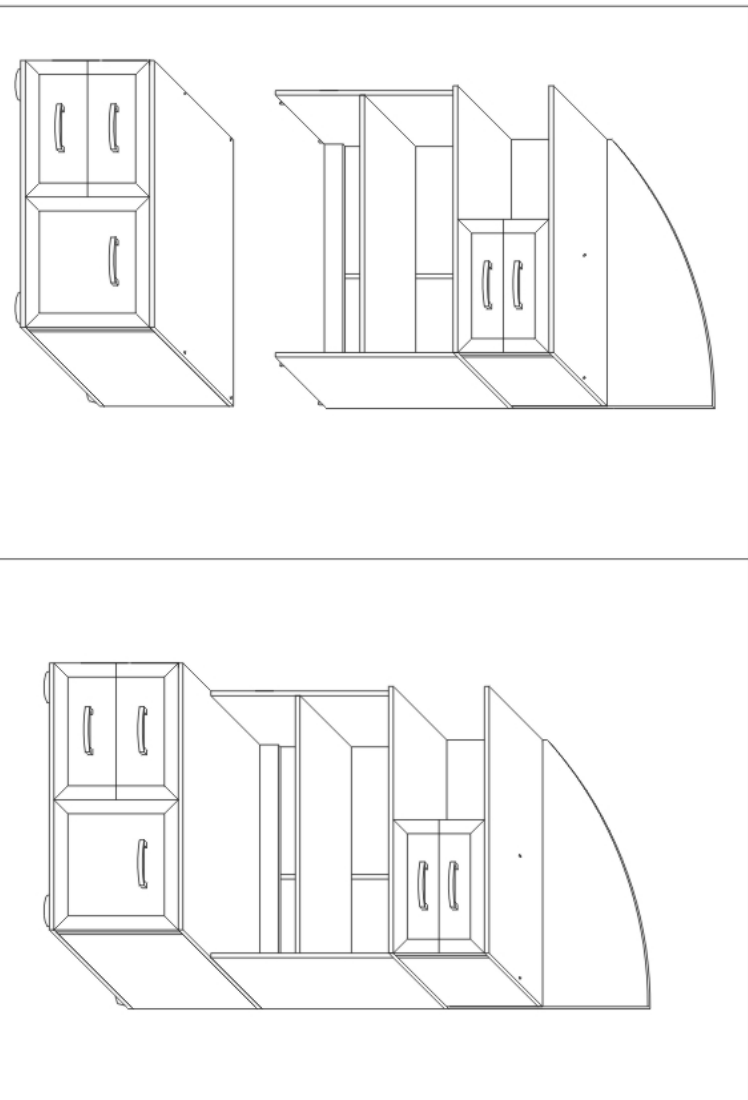
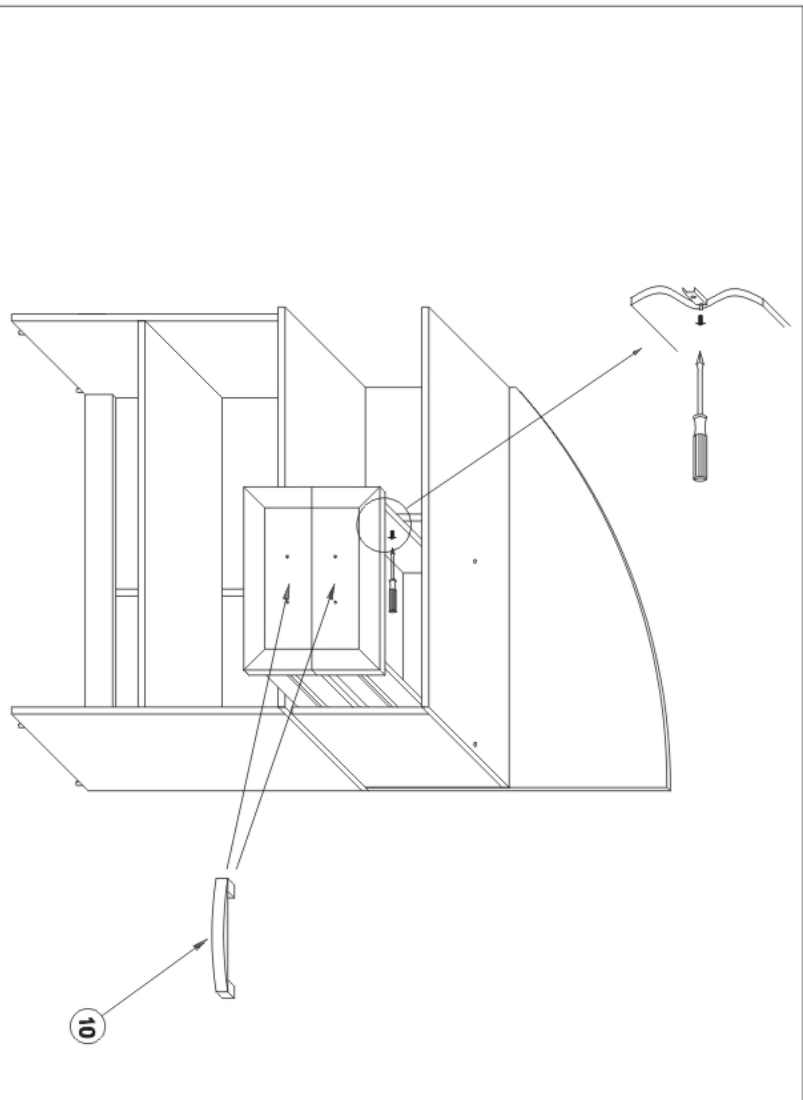
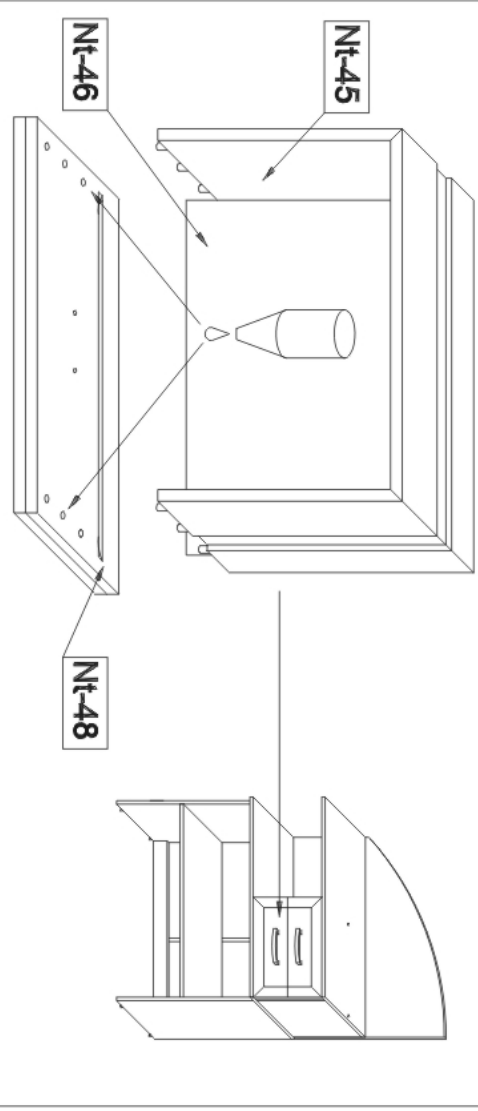
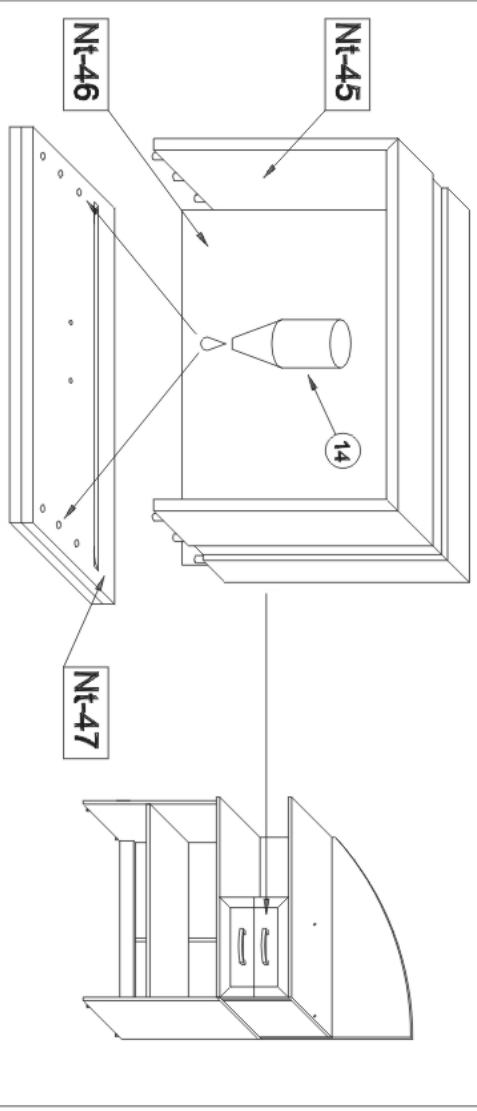
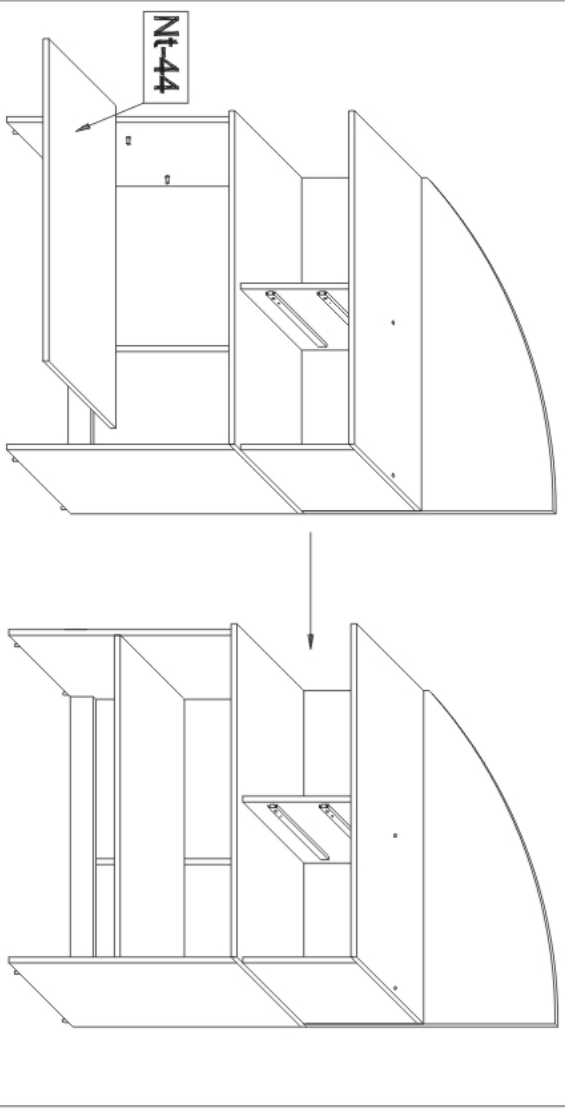
- 6 8 x  6.3x13
- 7 10 x 
- 8 10 x 
- 9 1 x 
- 10 2 x 

- 11 40 x  1.2x25
- 12 1 x 
- 13 2 x 
- 14 1 x 
- 15 8 x 

- 16 4 x 





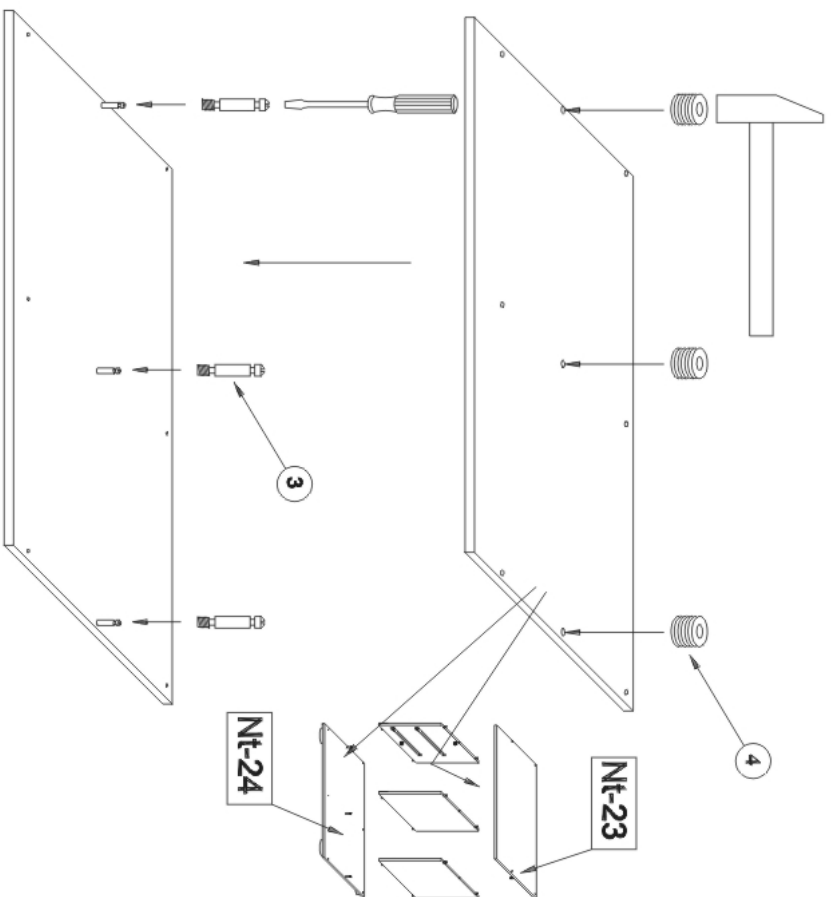
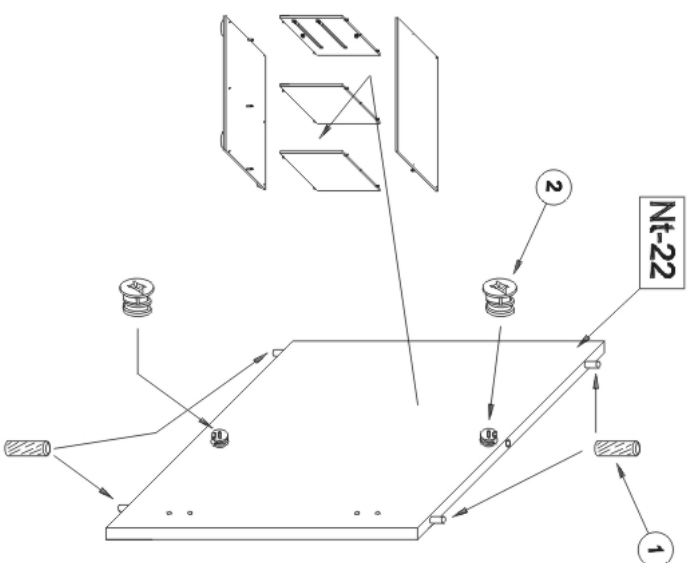
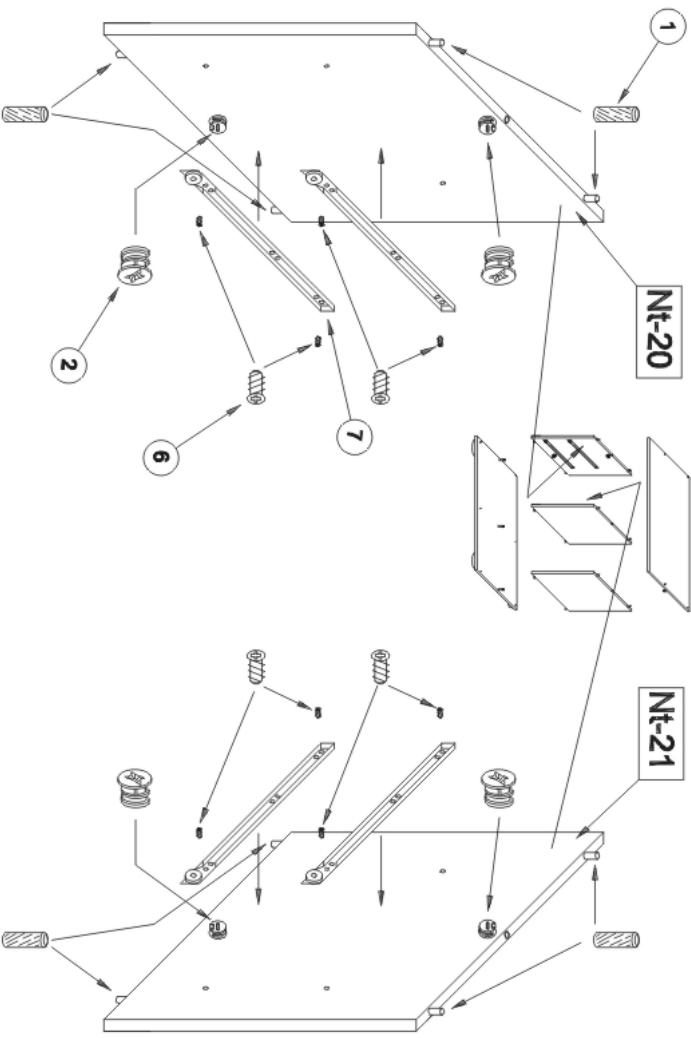
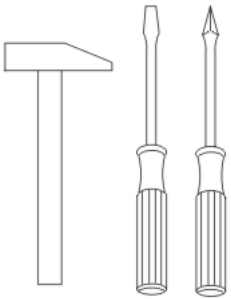
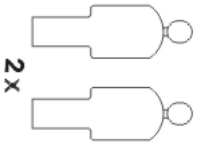


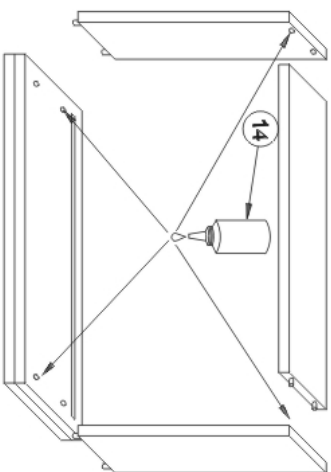
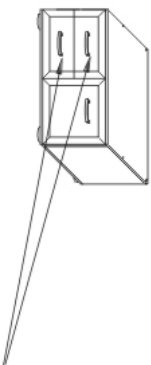
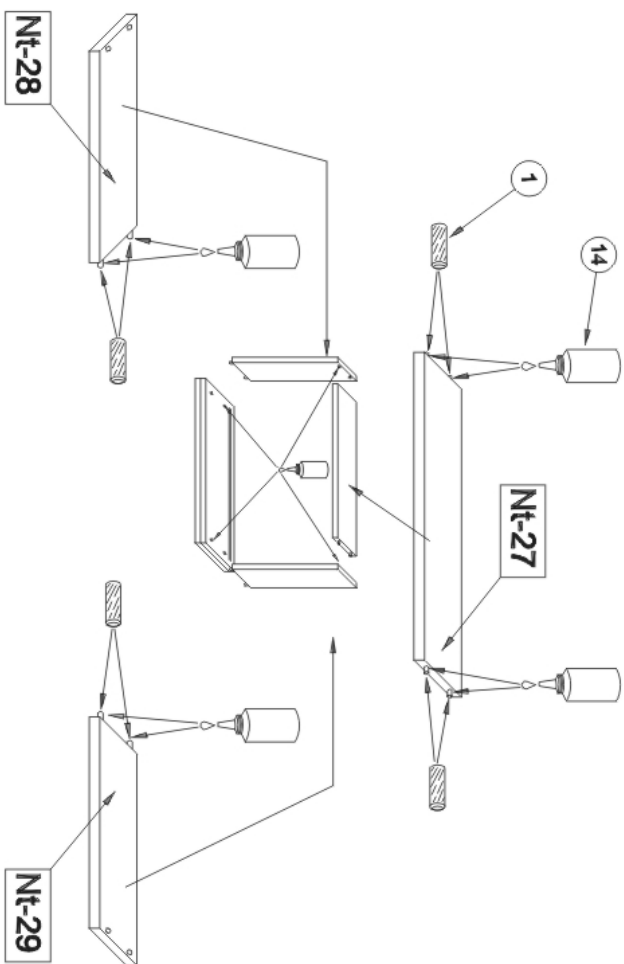
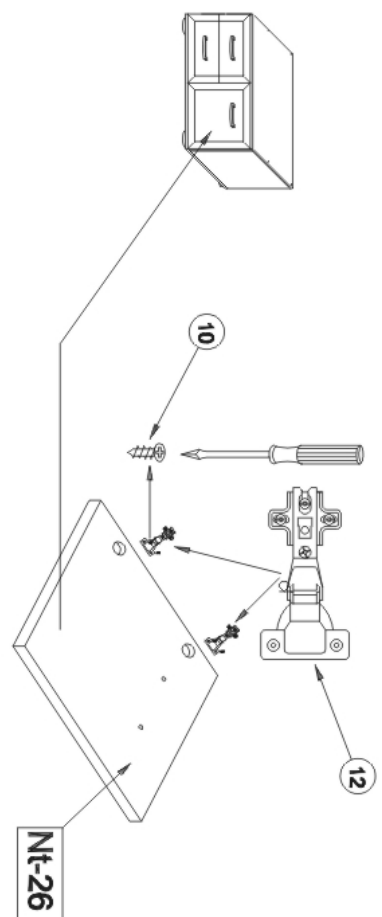
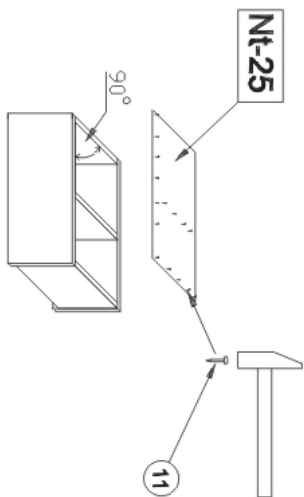
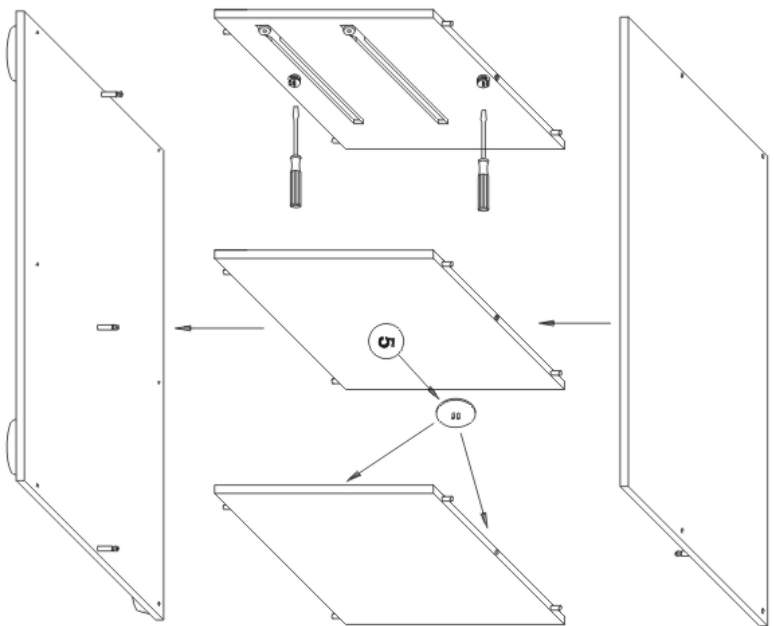
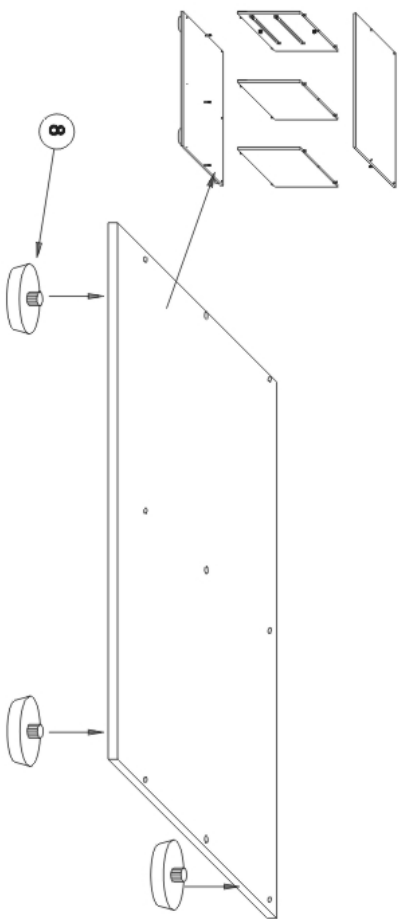
"NATALIA" - P

- 1 08x36 28 x
- 2 6 x
- 3 6 x
- 4 6 x
- 5 6 x

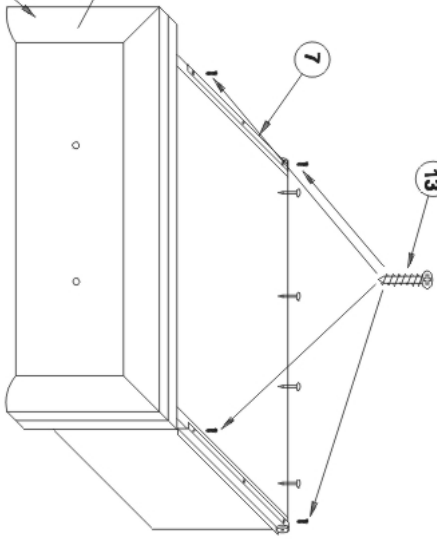
- 6 6,3x13 12 x
- 7 2 x (8x)
- 8 4 x
- 9 3 x
- 10 3,5x16 4 x

- 11 1,2x25 40 x
- 12 2 x
- 13 3,5x25 8 x
- 14 1 x

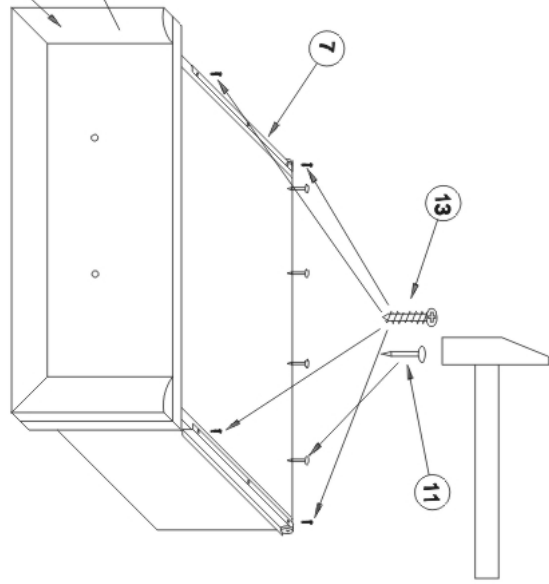




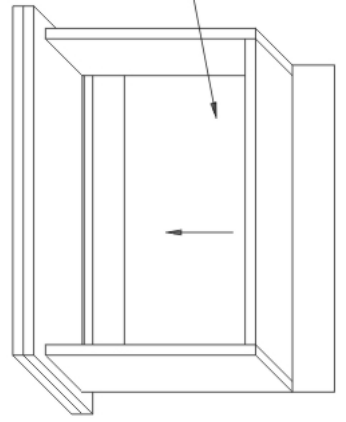
Nt-32



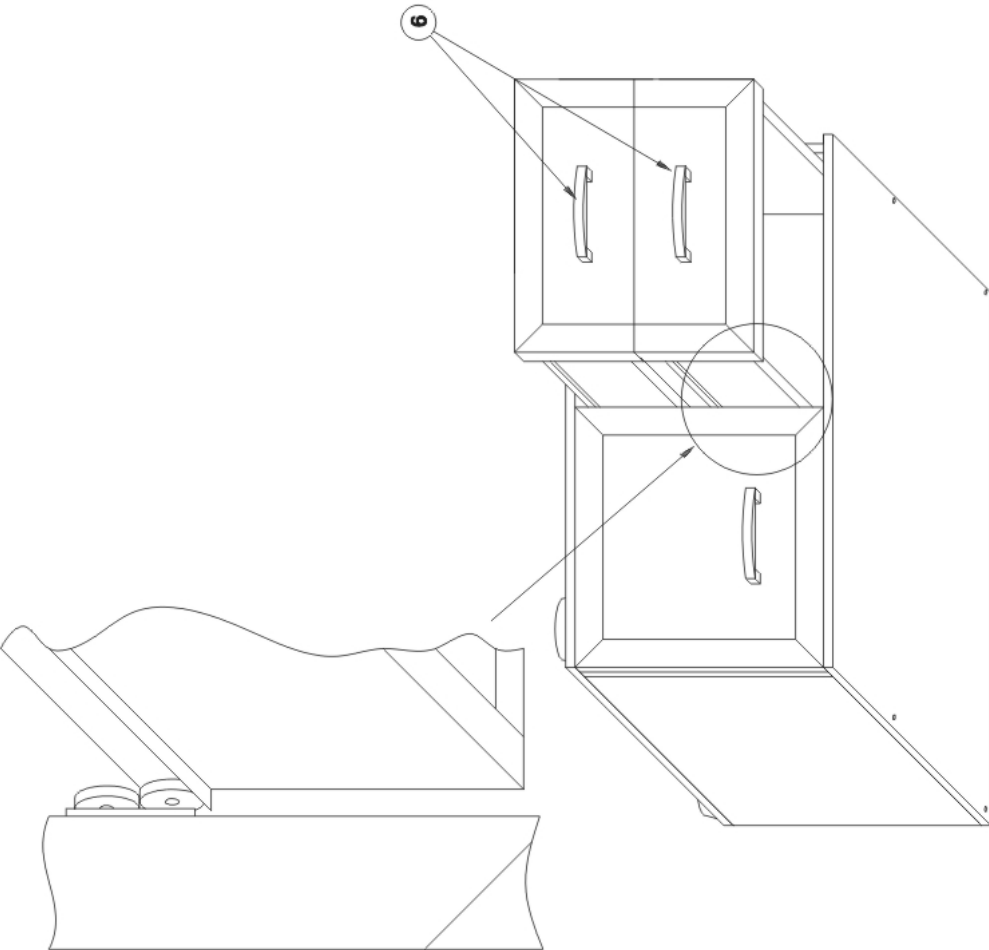
Nt-31



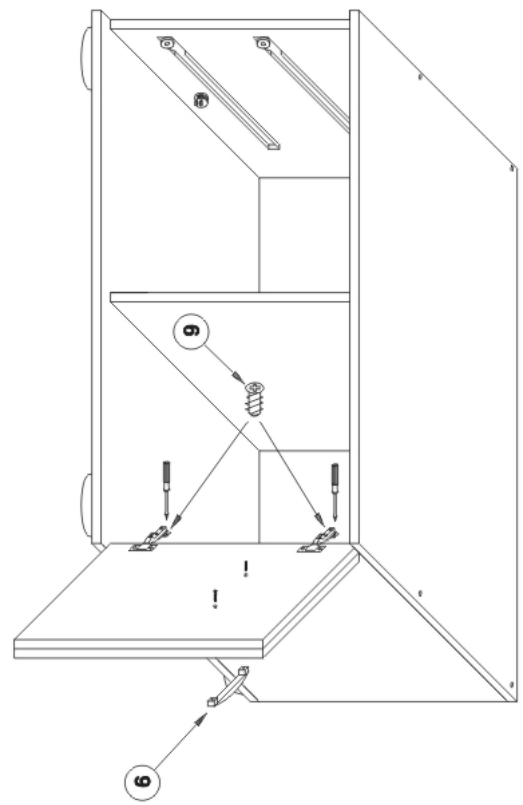
Nt-30

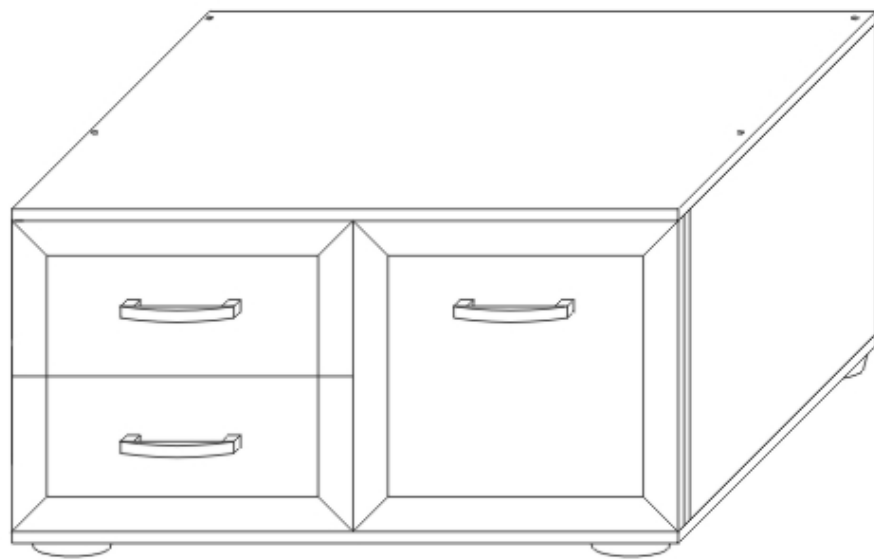
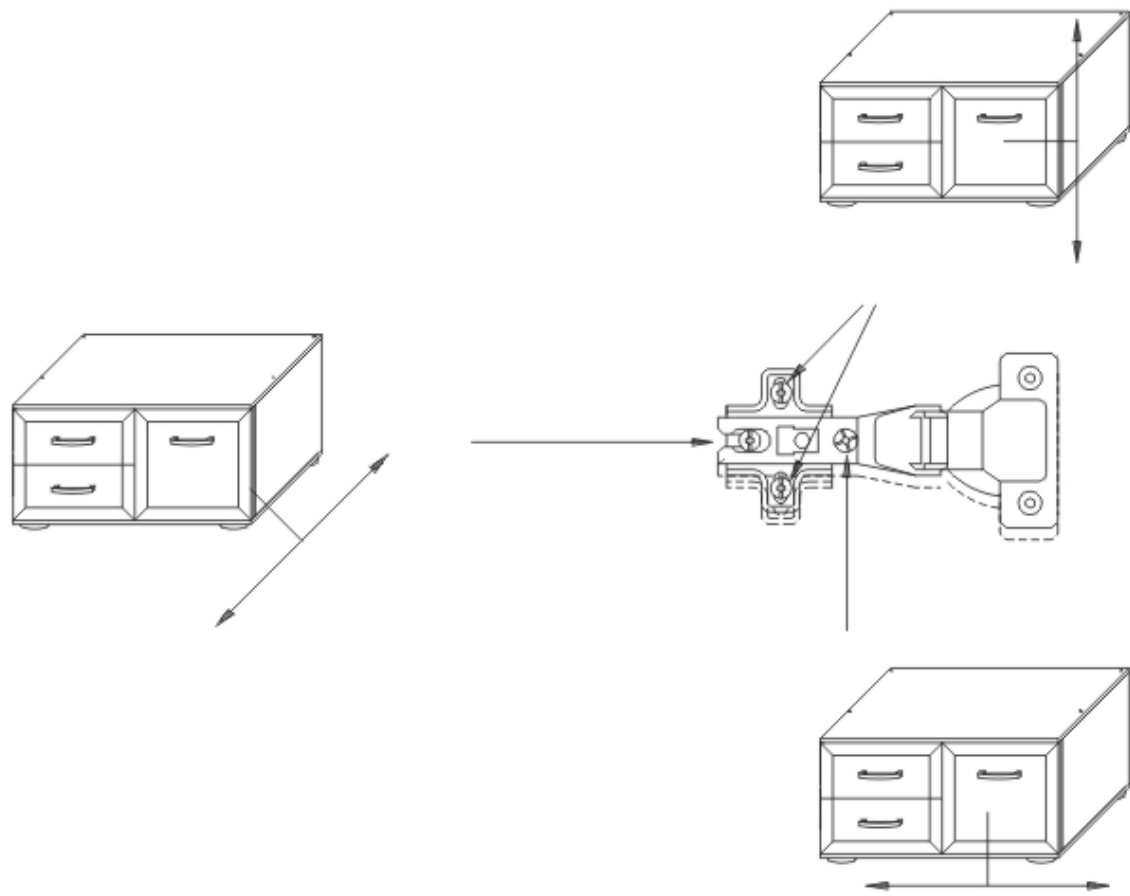


9



6





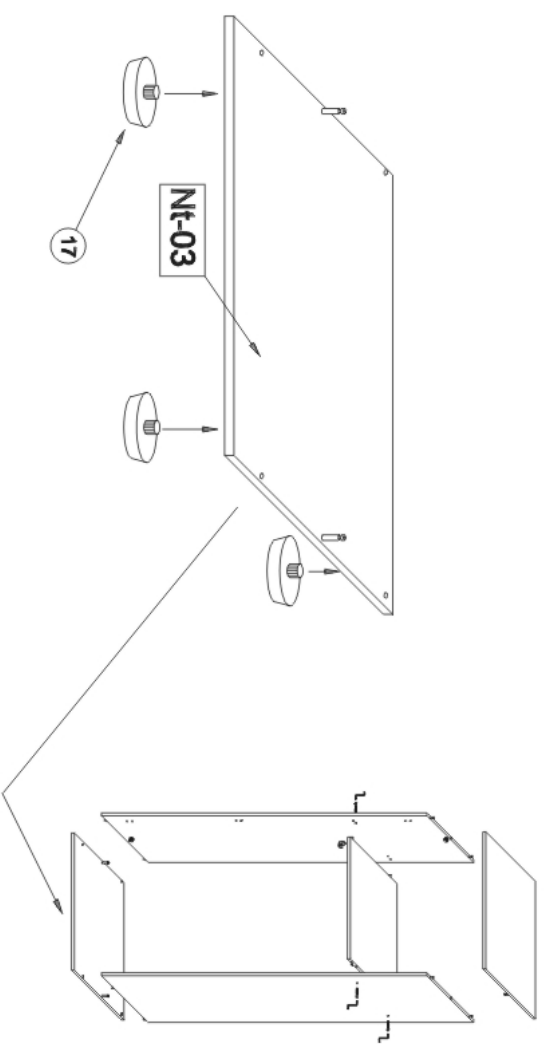
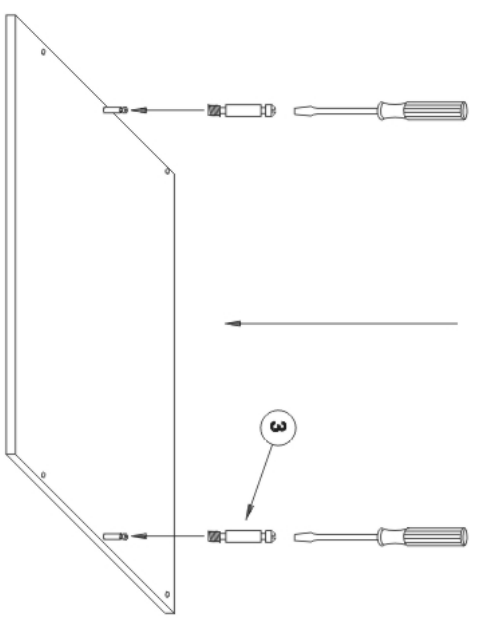
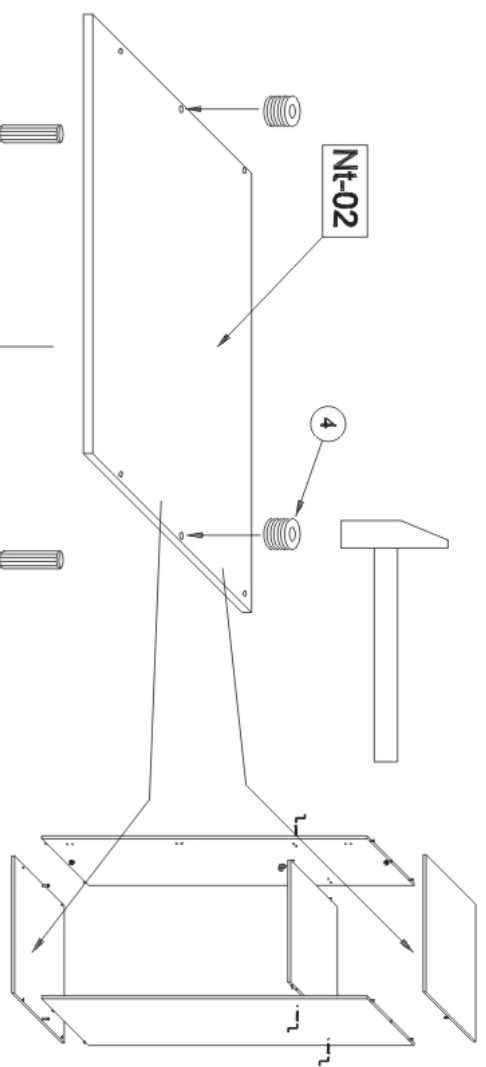
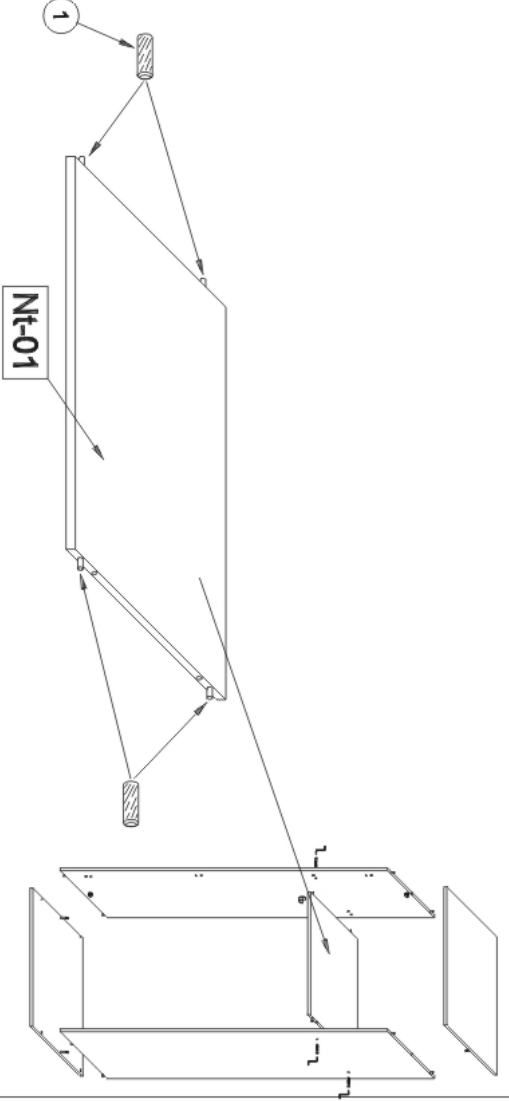
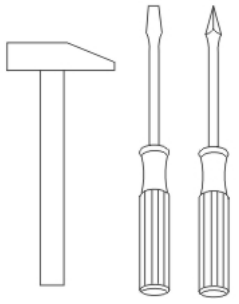
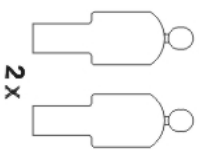
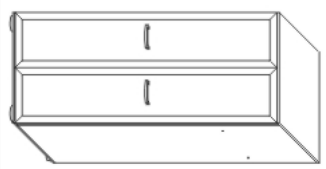
"NATALIA" - SZ (80)

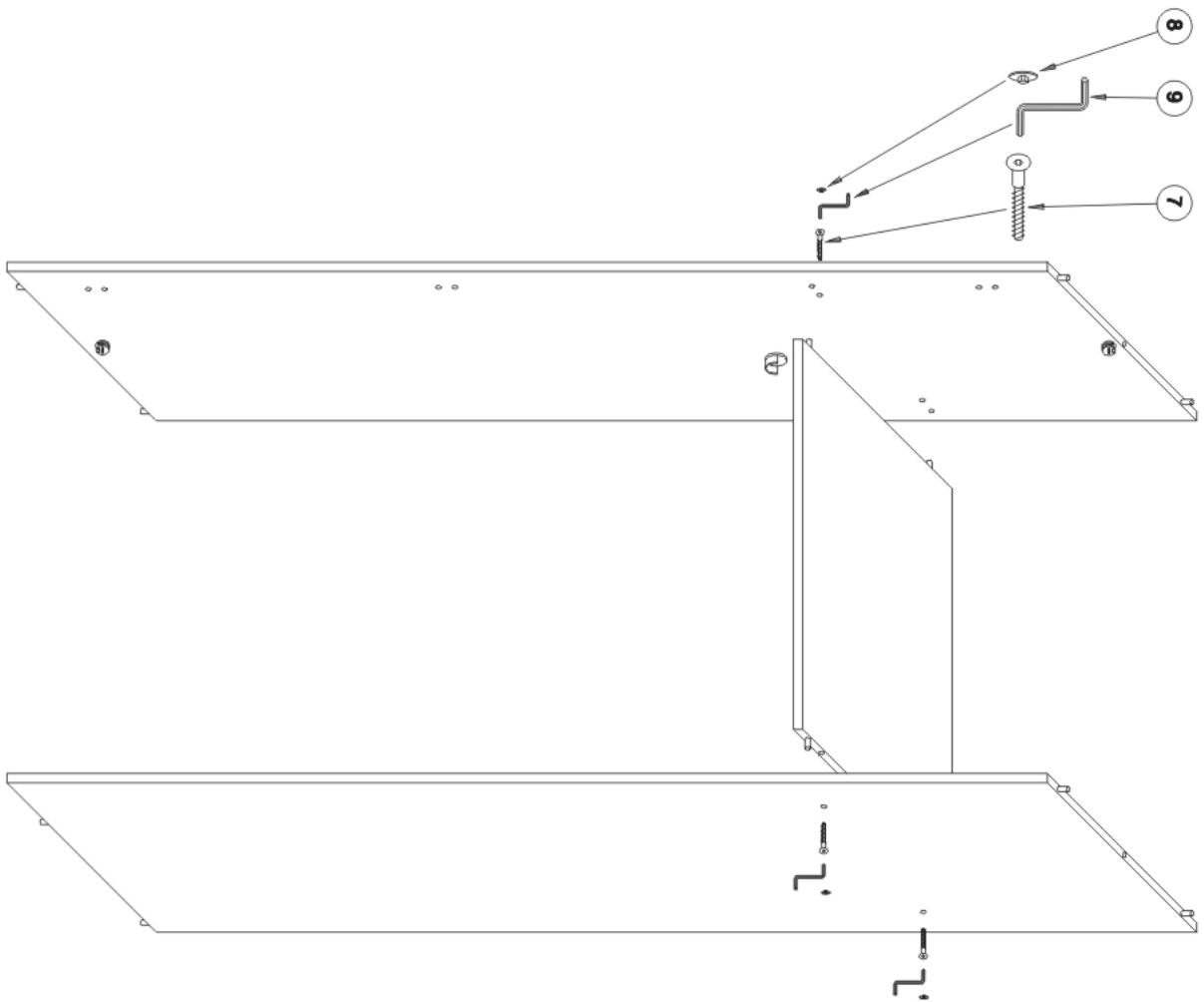
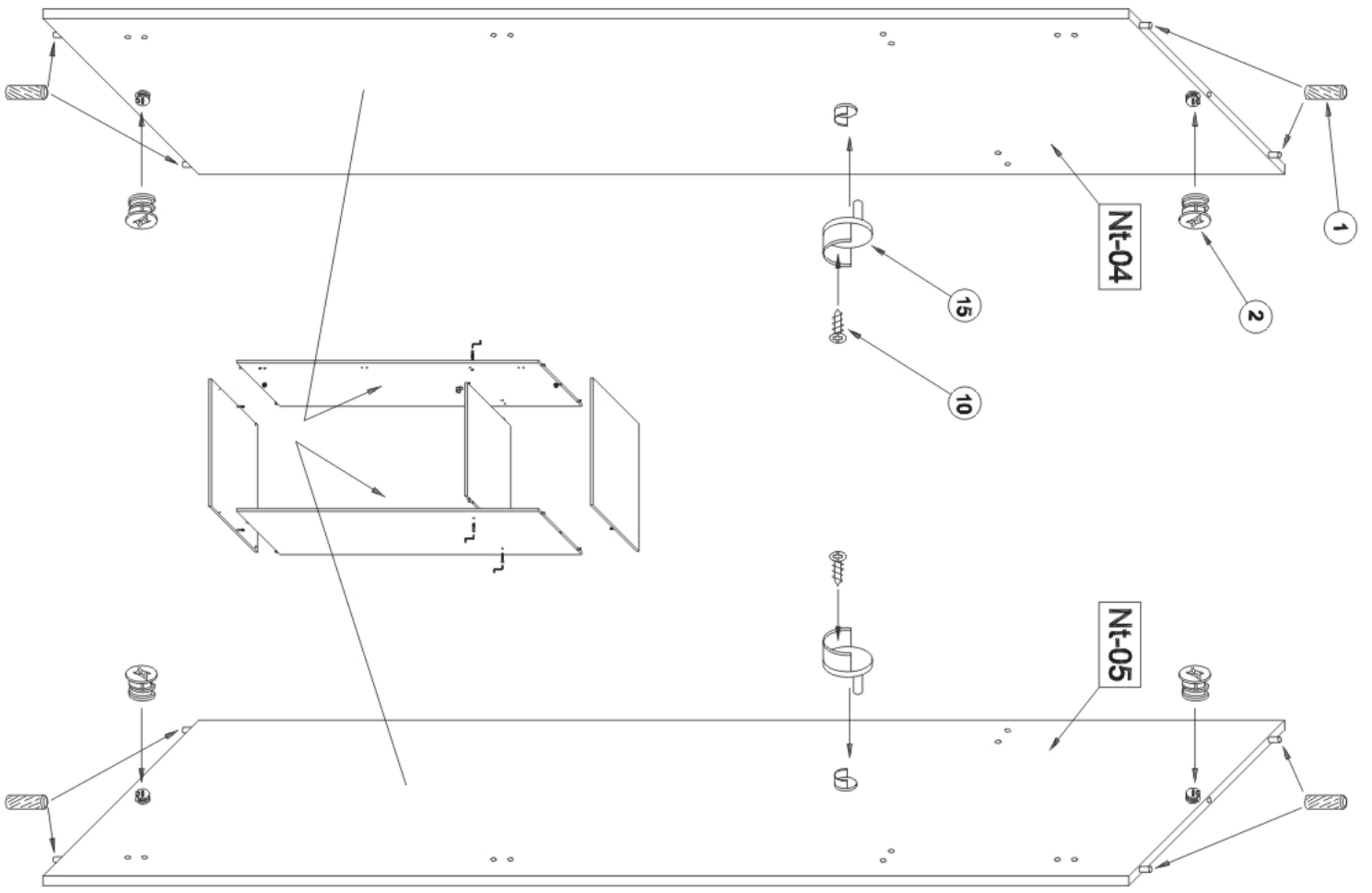
- 1 12 x 08x36
- 2 4 x
- 3 4 x
- 4 4 x
- 5 4 x

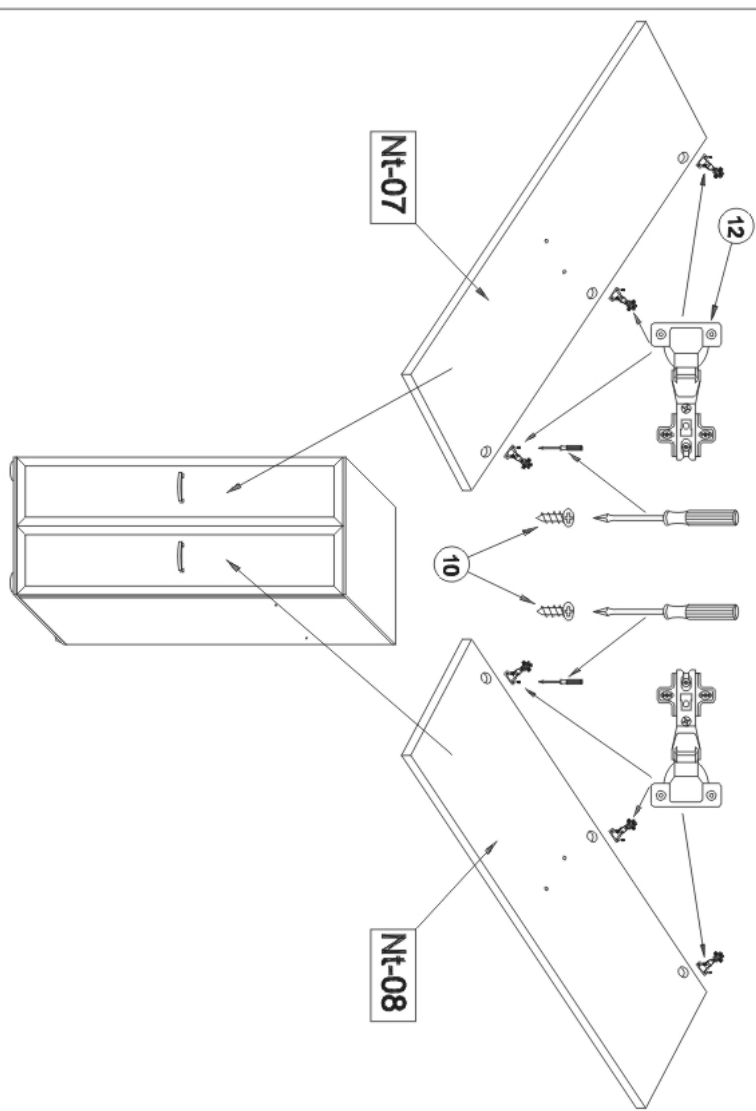
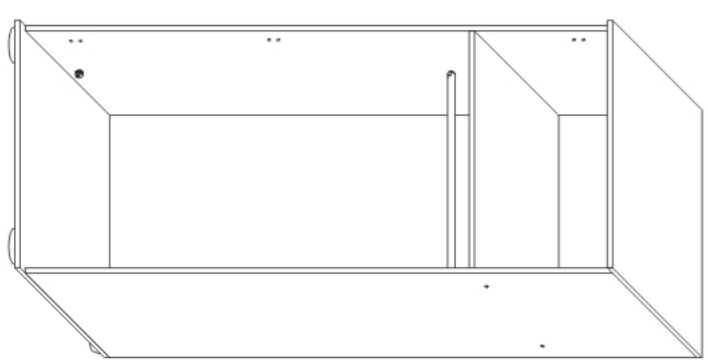
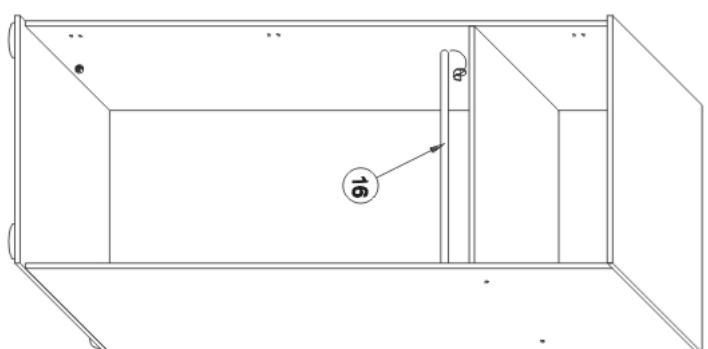
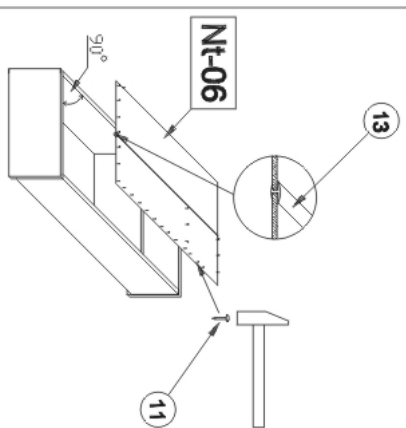
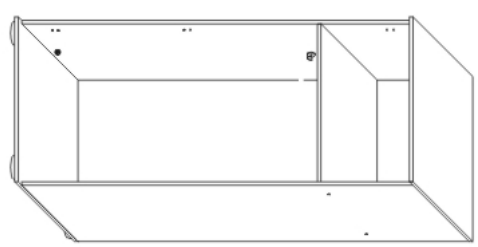
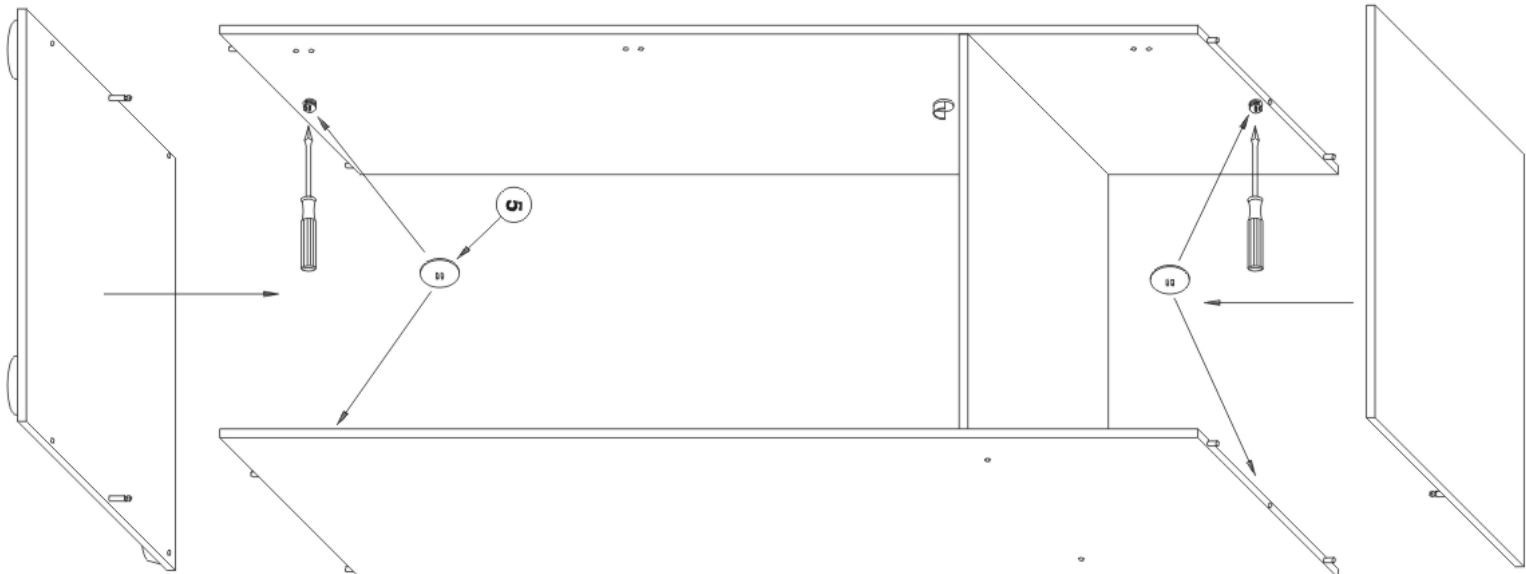
- 6 16 x 6,3x13
- 7 4 x
- 8 4 x
- 9 1 x
- 10 14 x 3,5x16

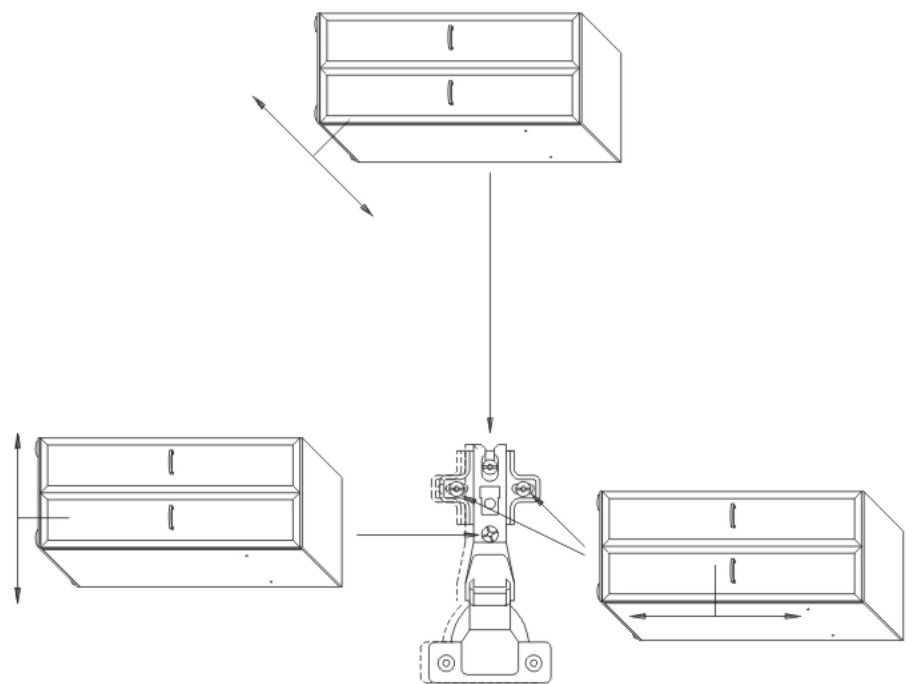
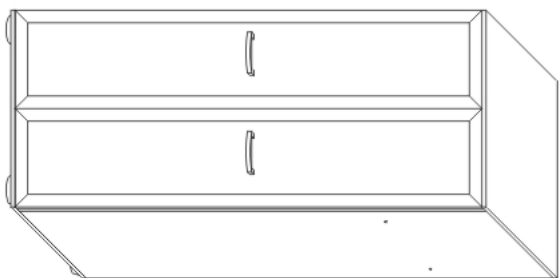
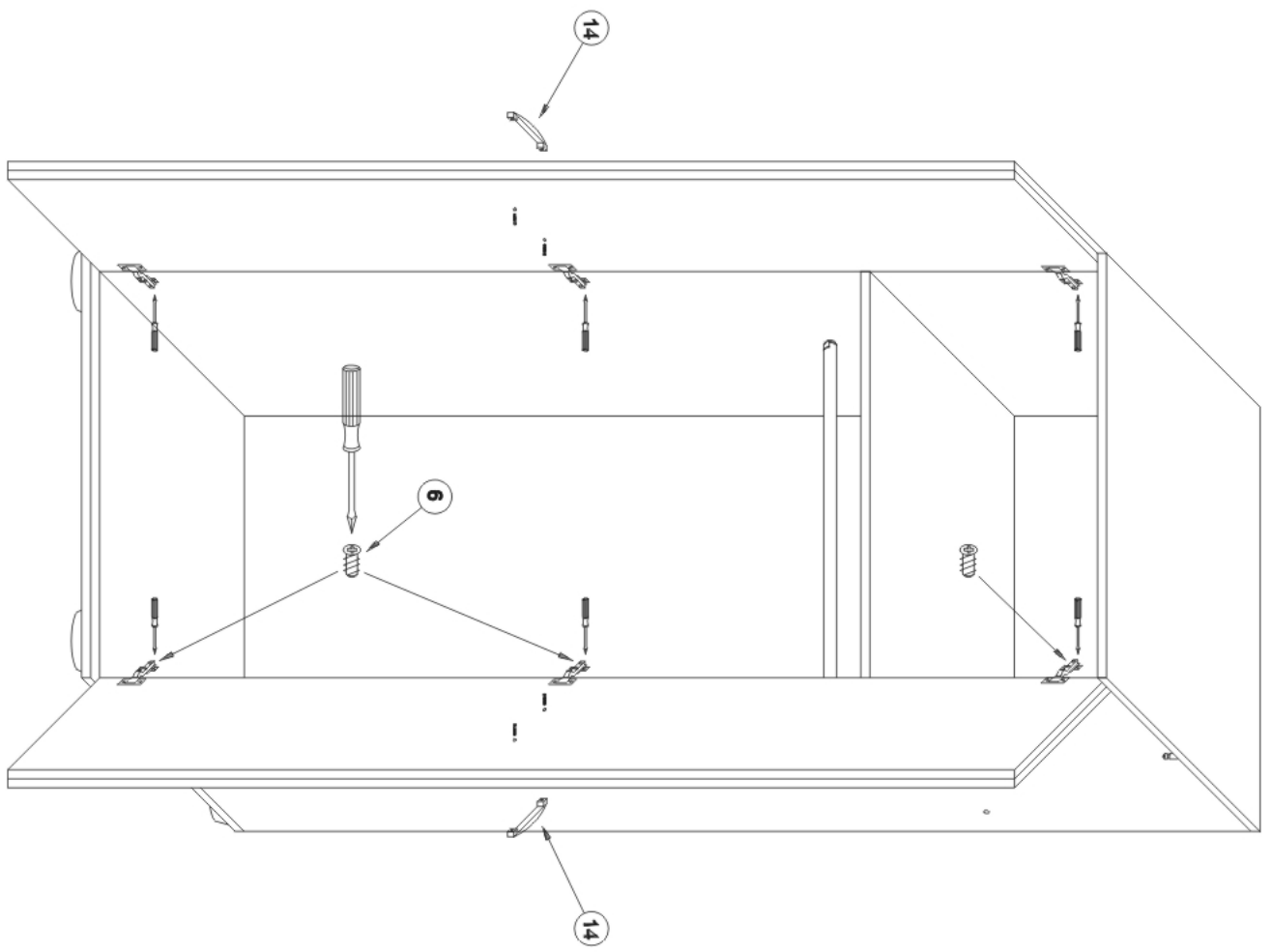
- 11 80 x 1,2x25
- 12 6 x
- 13 1 x
- 14 2 x
- 15 2 x

- 16 1 x
- 17 4 x
- 18 3 x









"NATALIA" - W

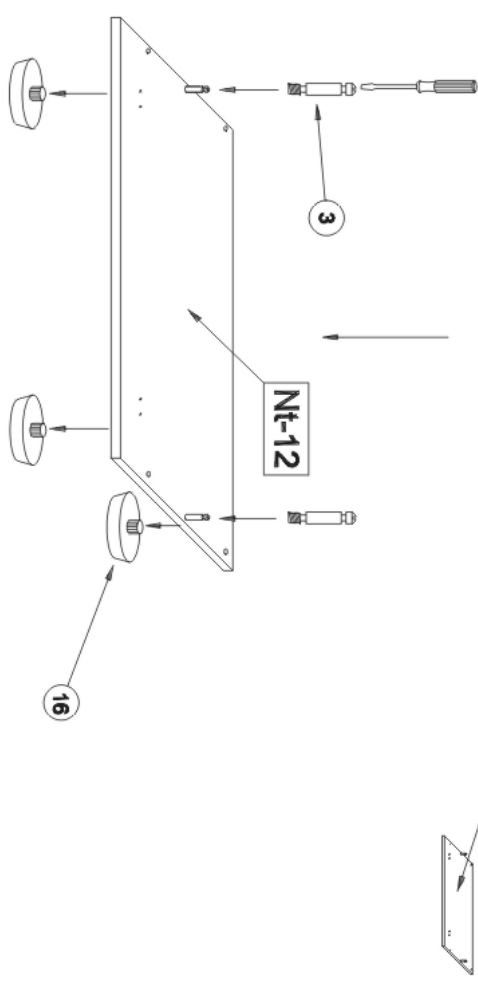
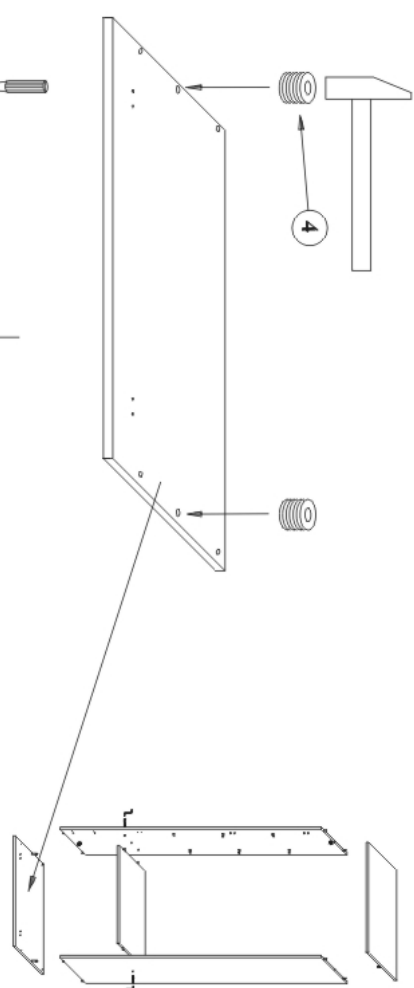
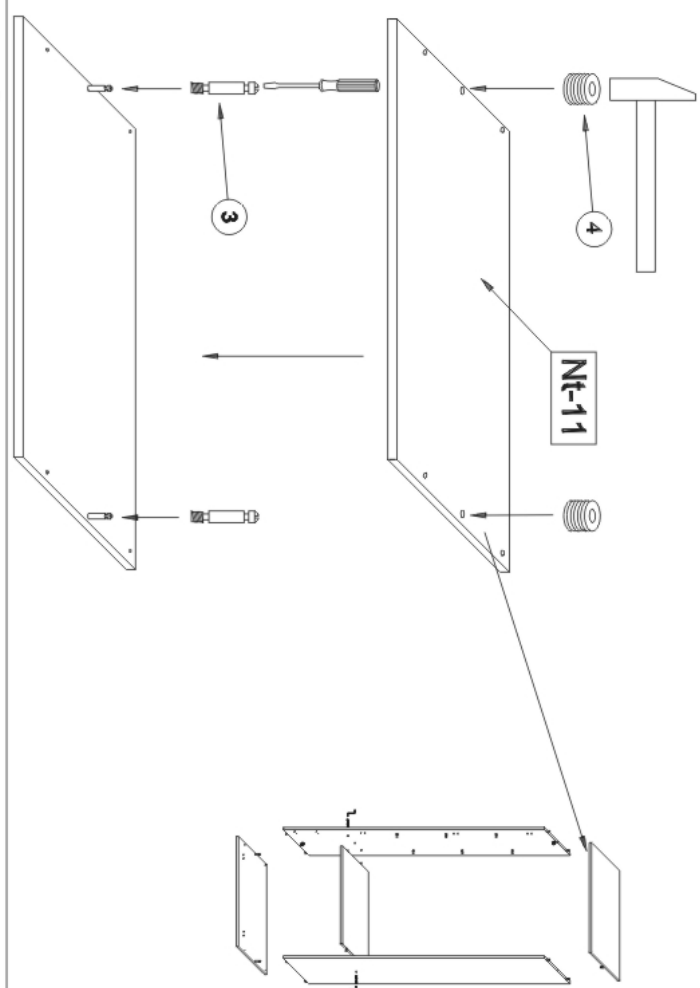
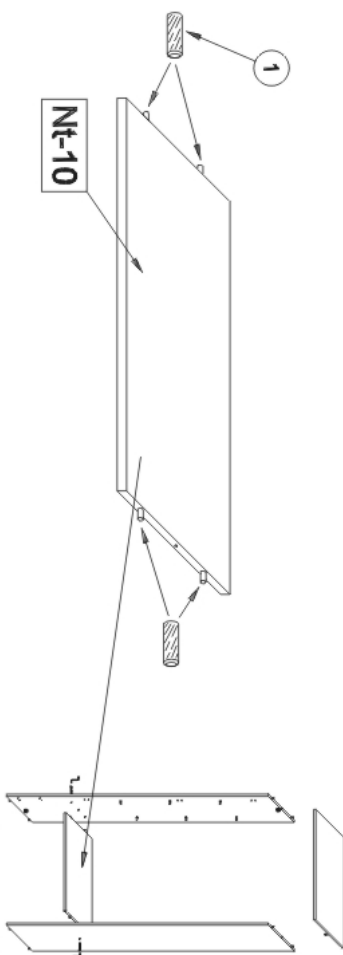
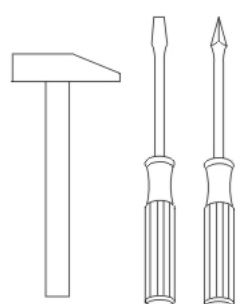
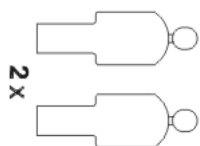
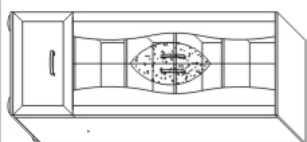
- 1 12 X Ø8x36
- 2 4 X
- 3 4 X
- 4 4 X
- 5 4 X

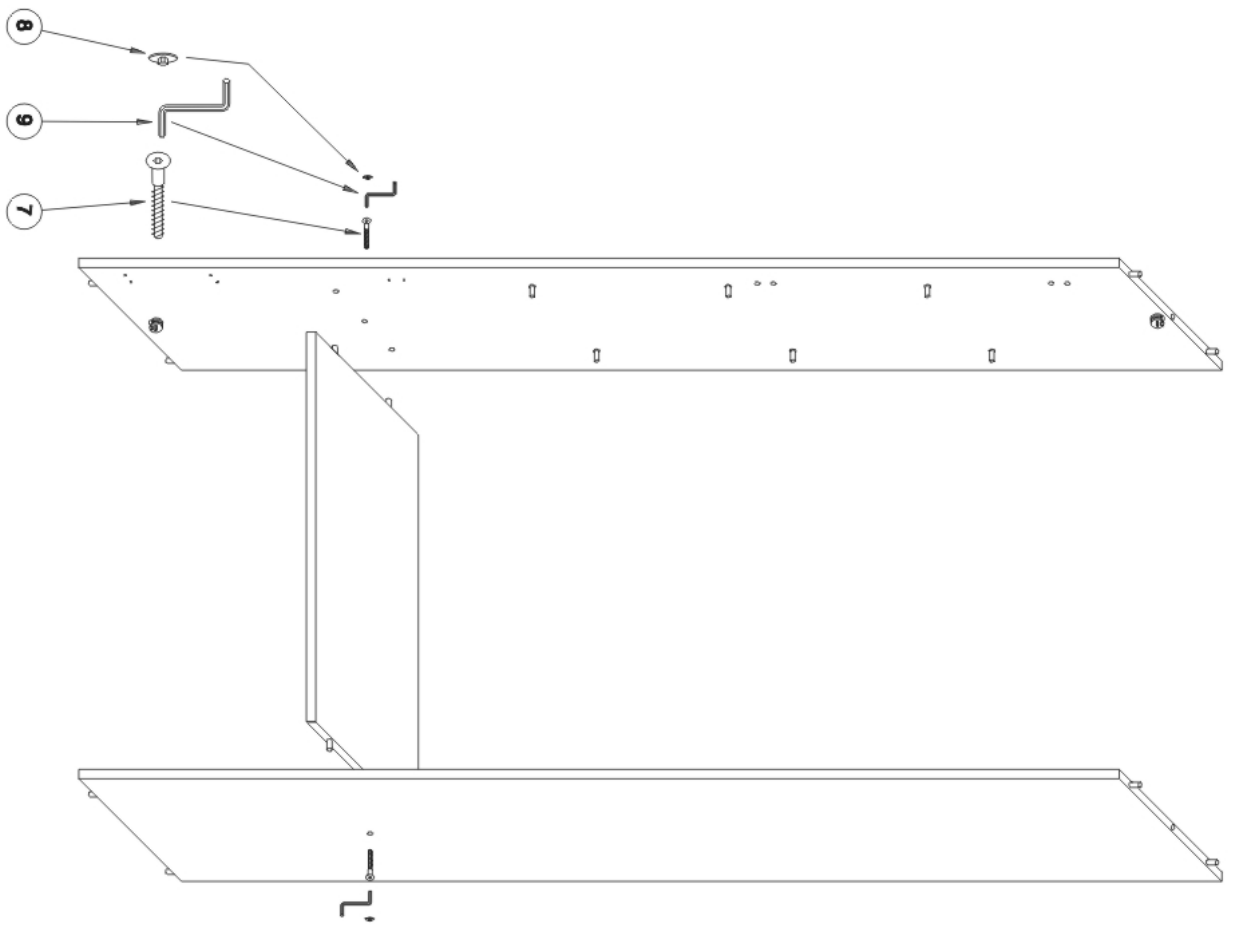
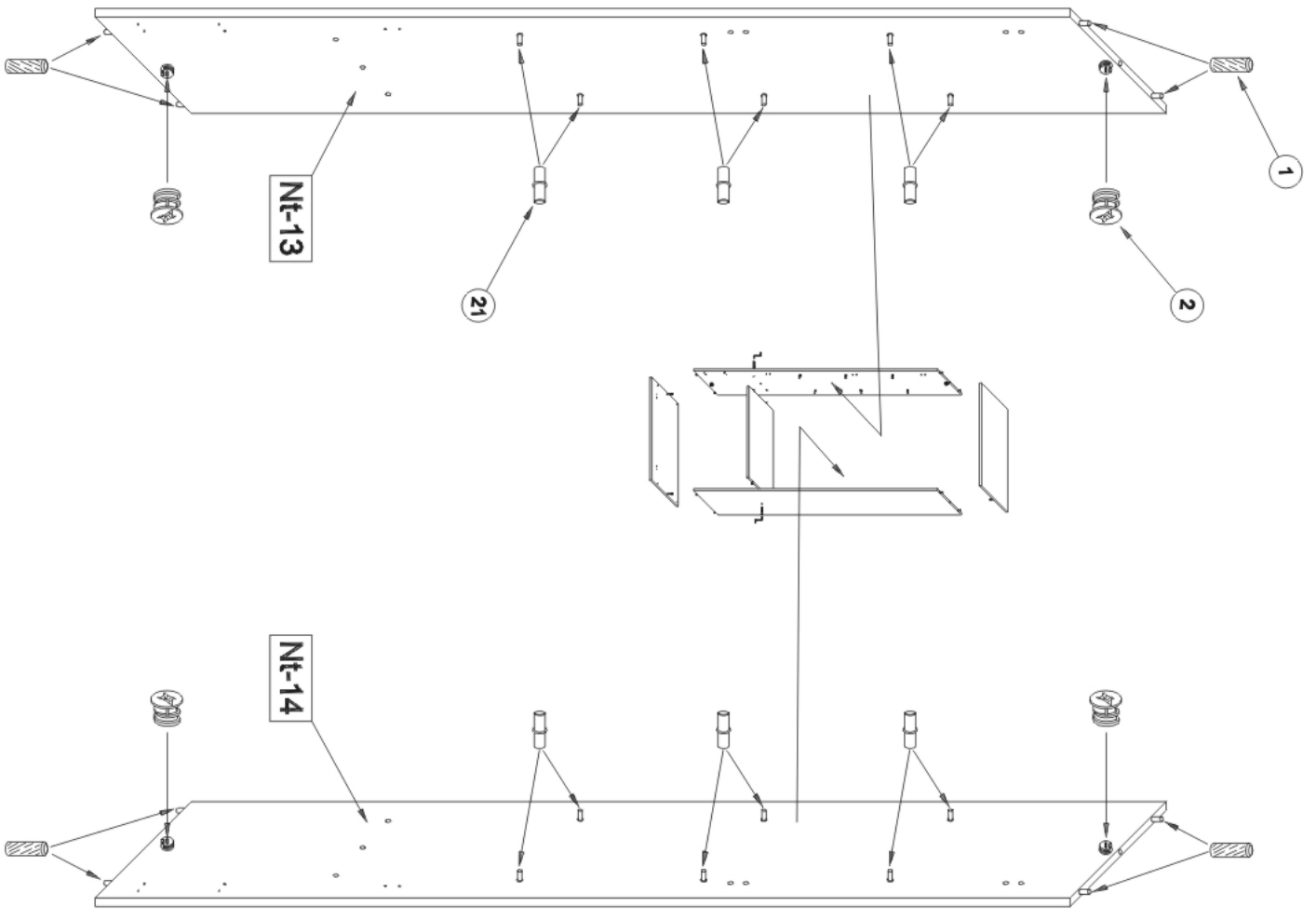
- 6 16 X 6.3x13
- 7 2 X
- 8 2 X
- 9 1 X
- 10 30 X 3.5x16

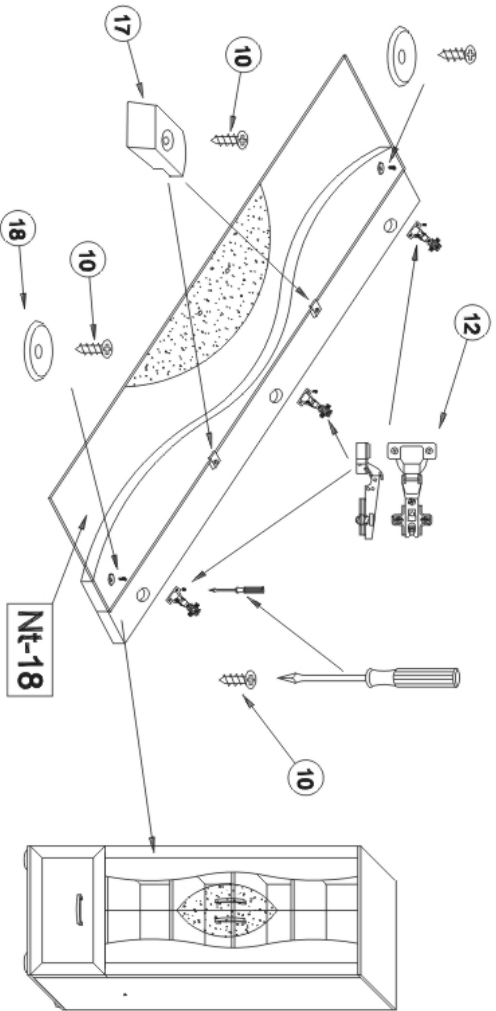
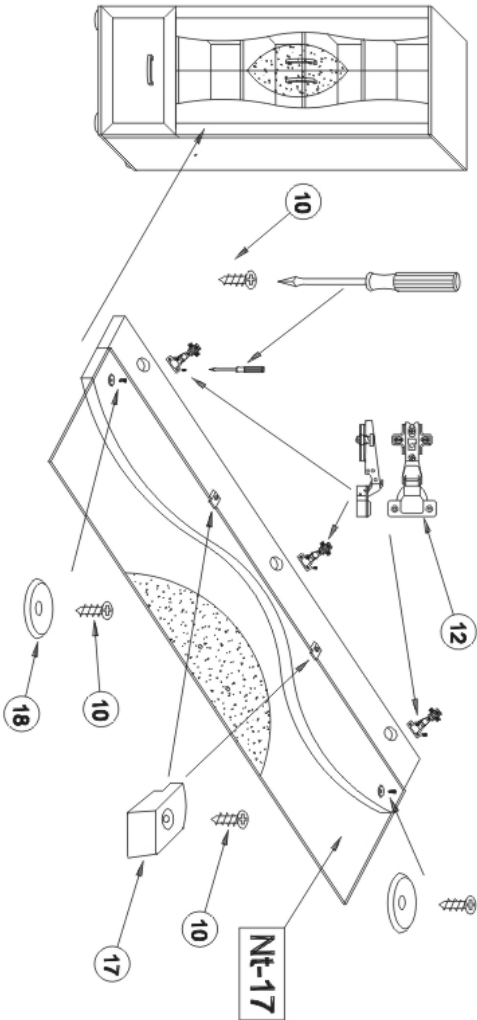
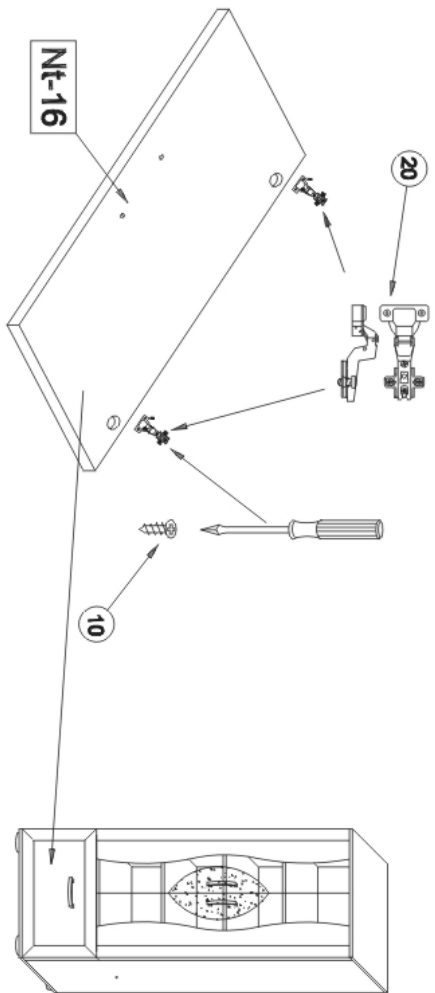
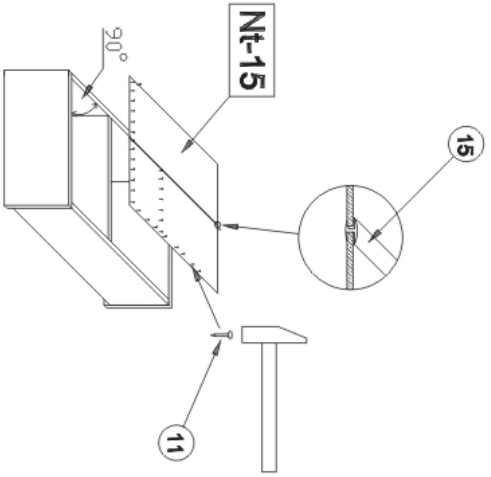
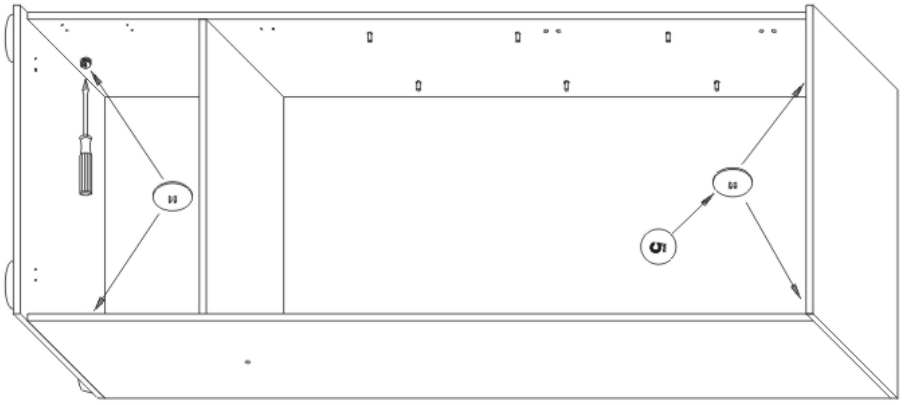
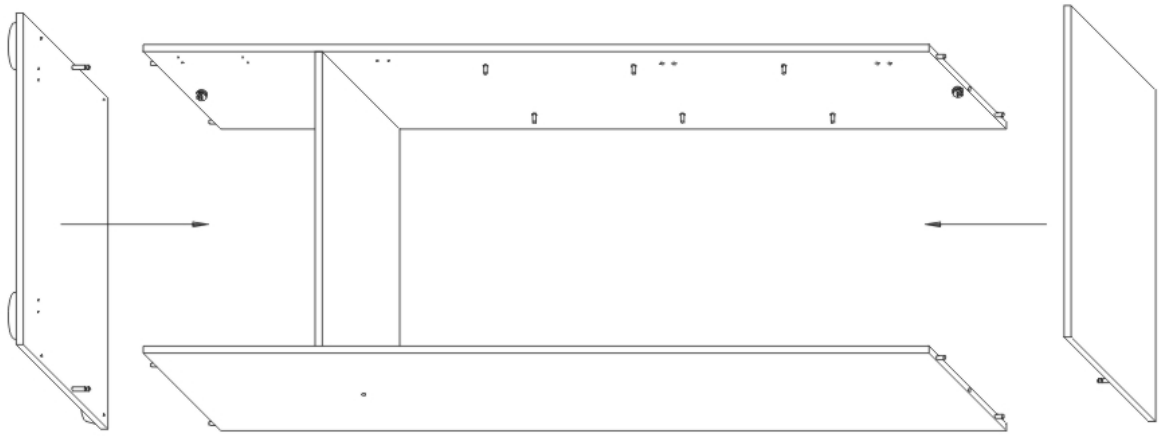
- 11 60 X 1.2x25
- 12 6 X
- 13 8 X 3.5x25
- 14 3 X
- 15 1 X

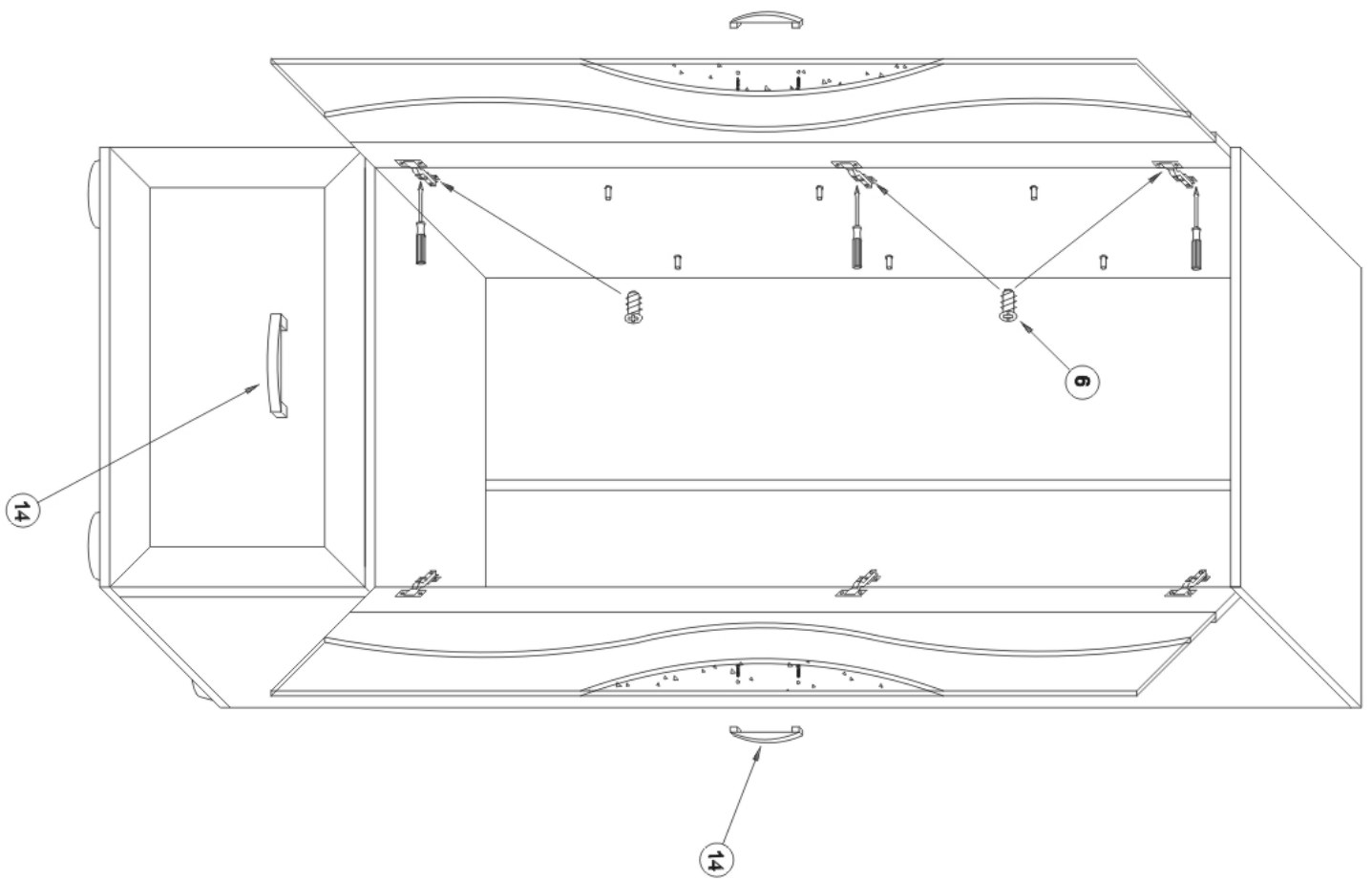
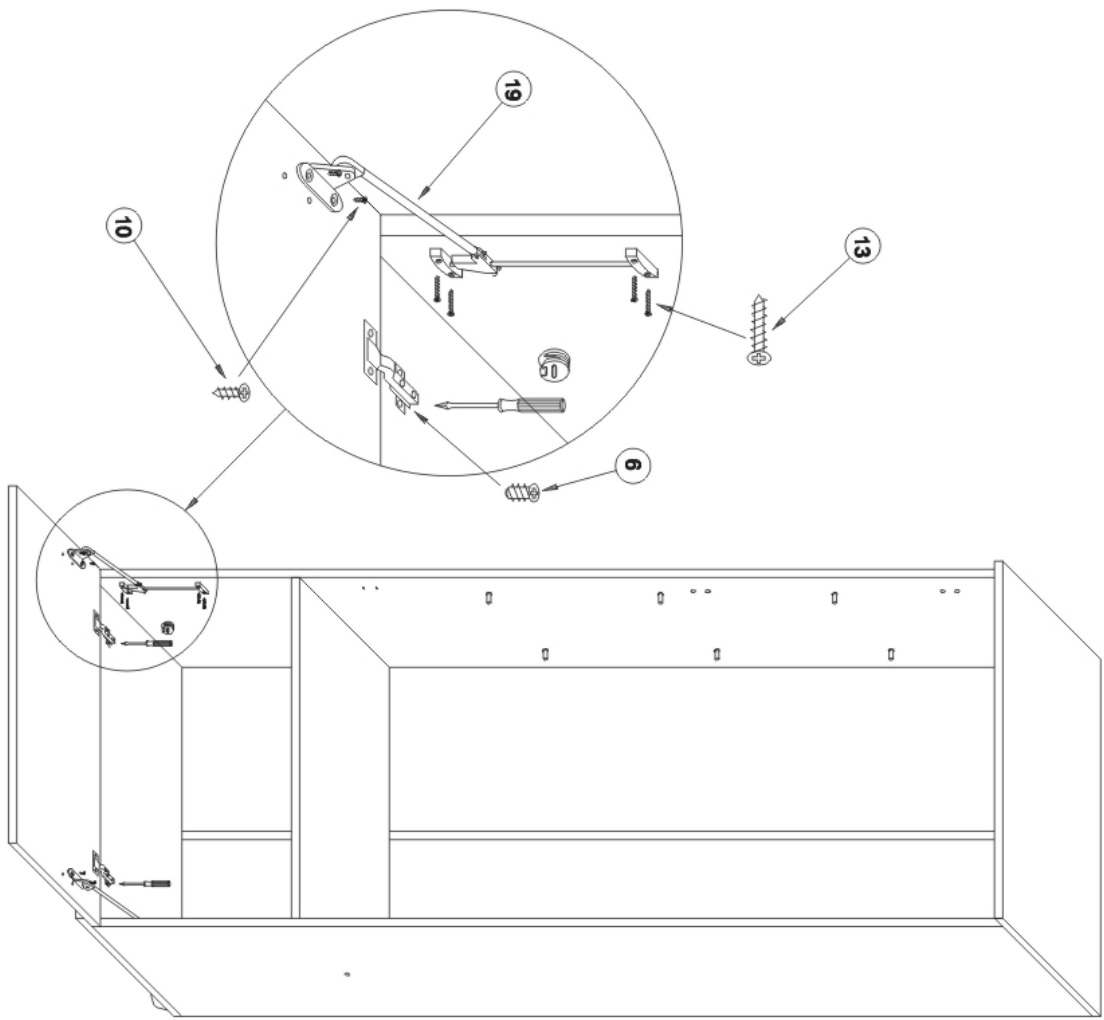
- 16 4 X
- 17 4 X
- 18 2 X
- 19 2 X 1L, 1P
- 20 2 X

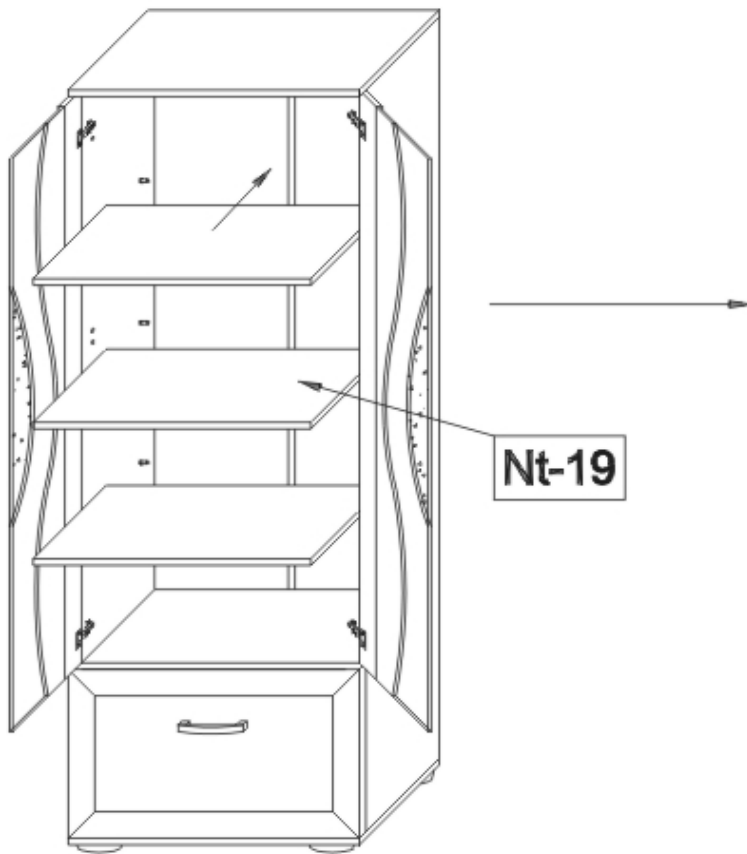
- 21 12 X



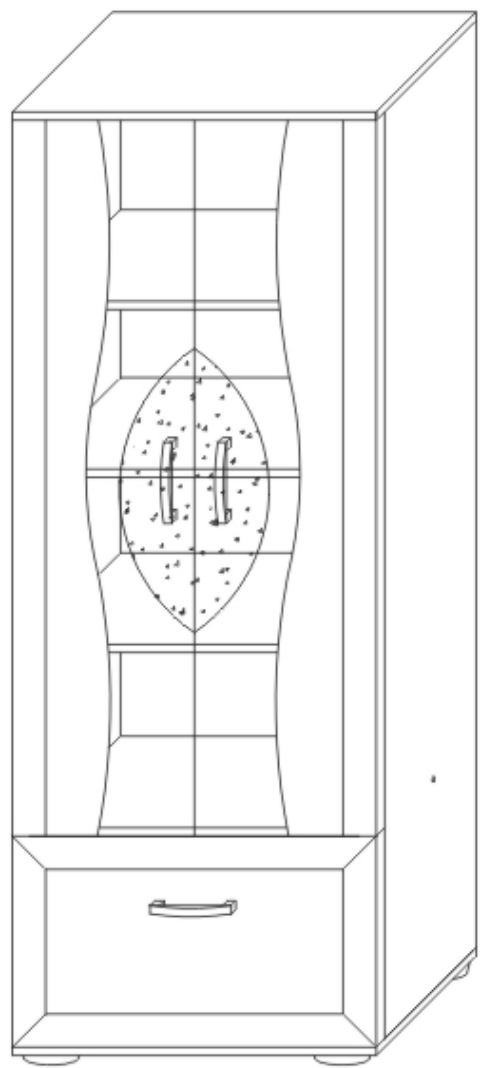
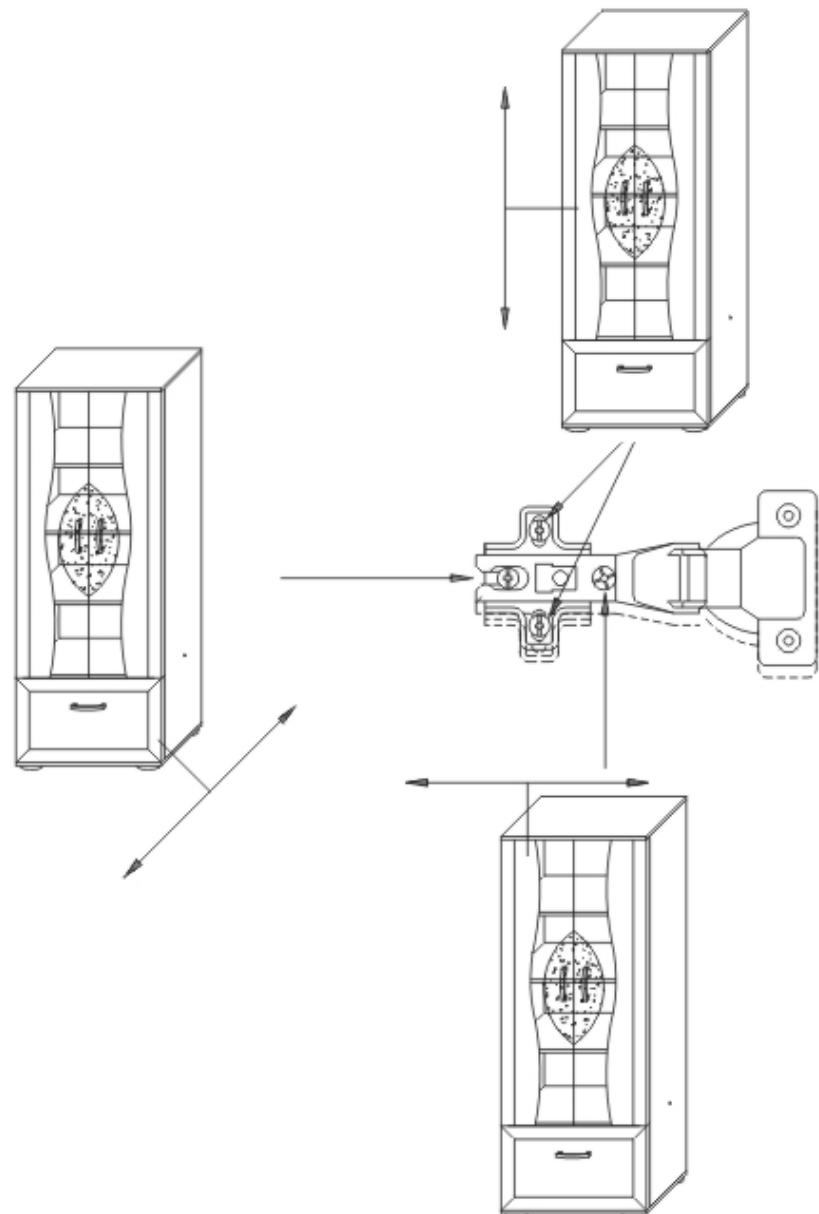
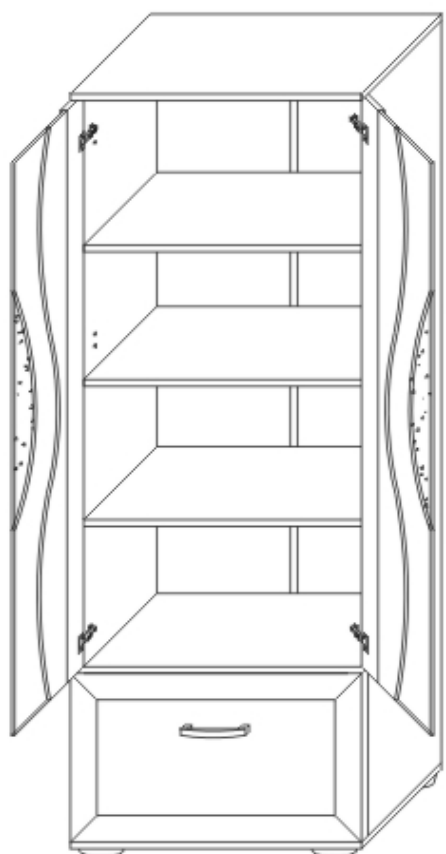








Nt-19



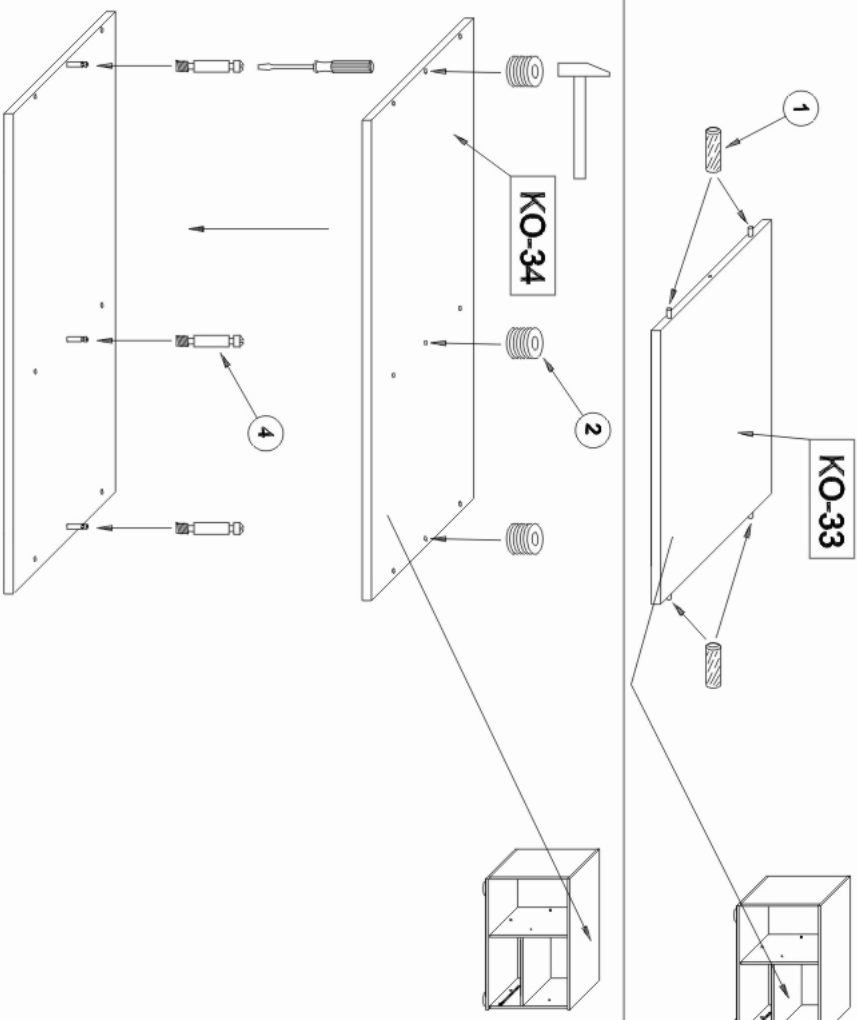
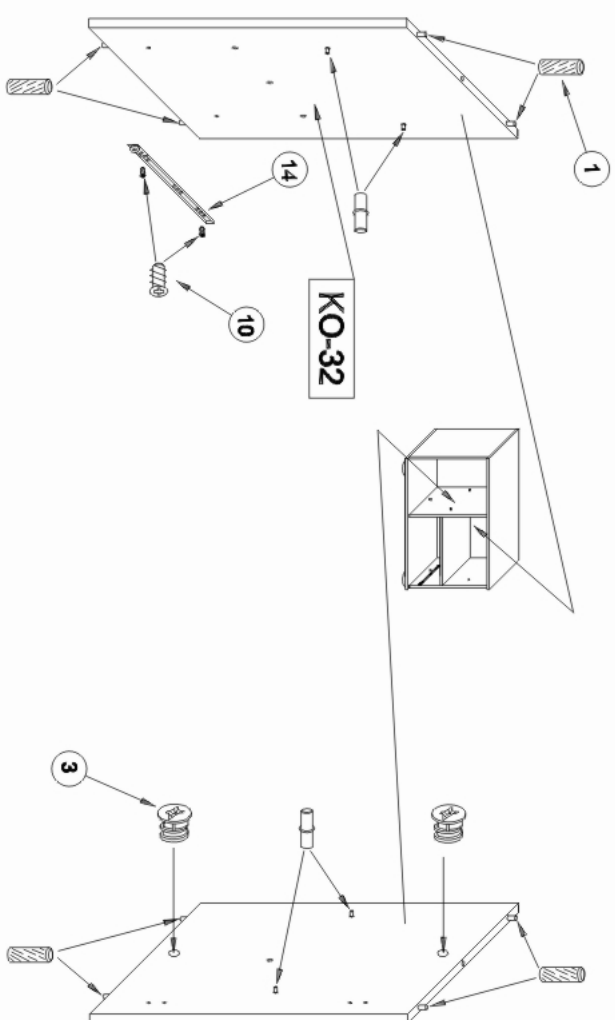
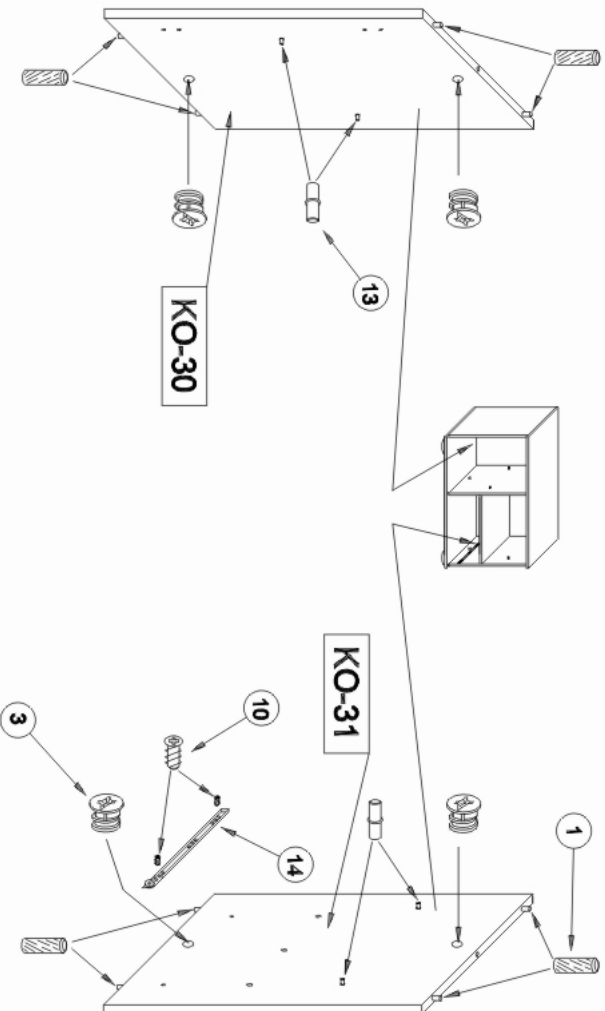
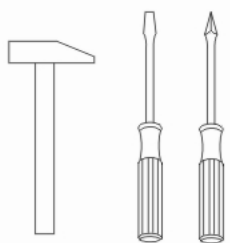
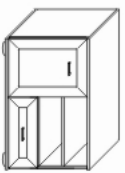
KOM 1D1S

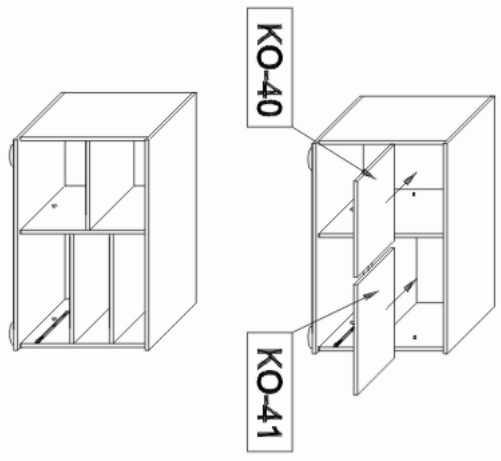
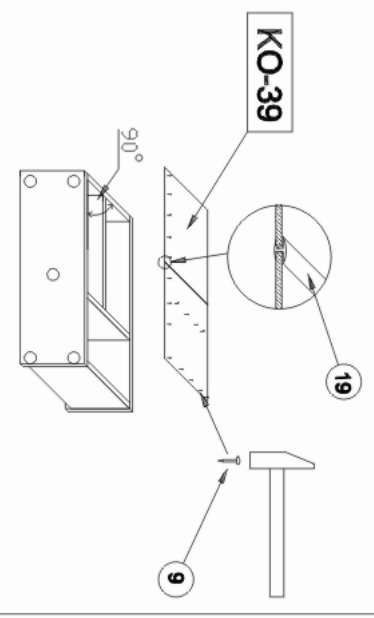
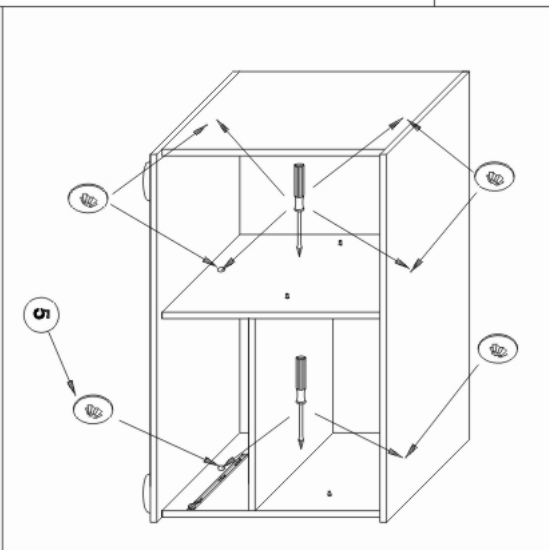
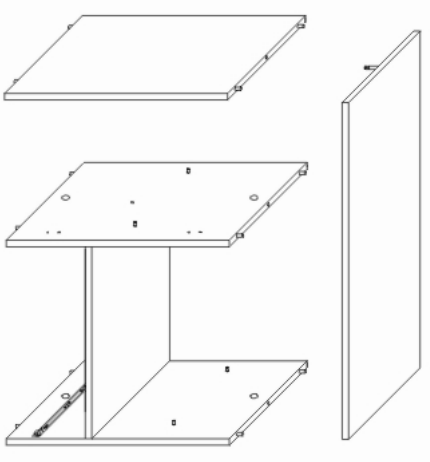
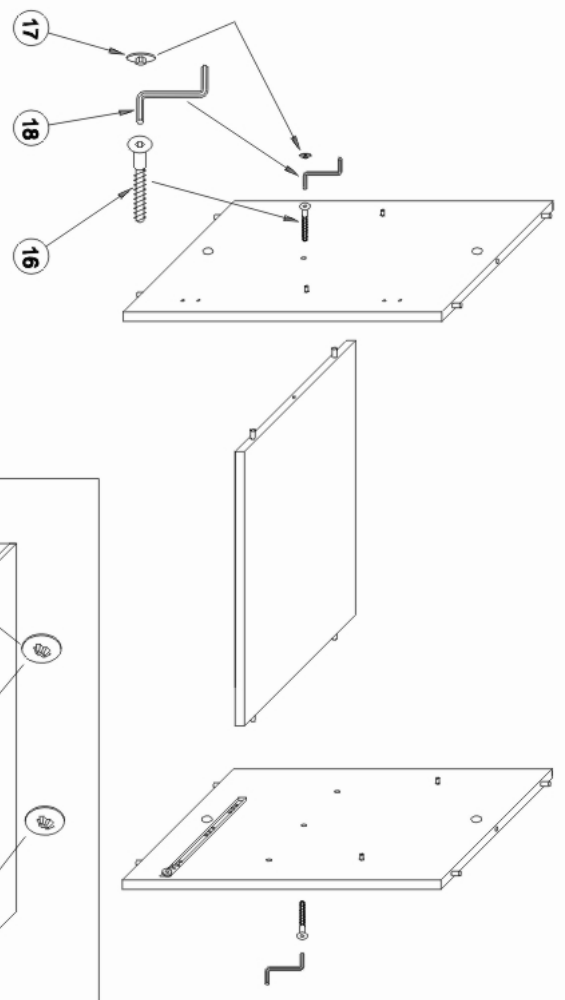
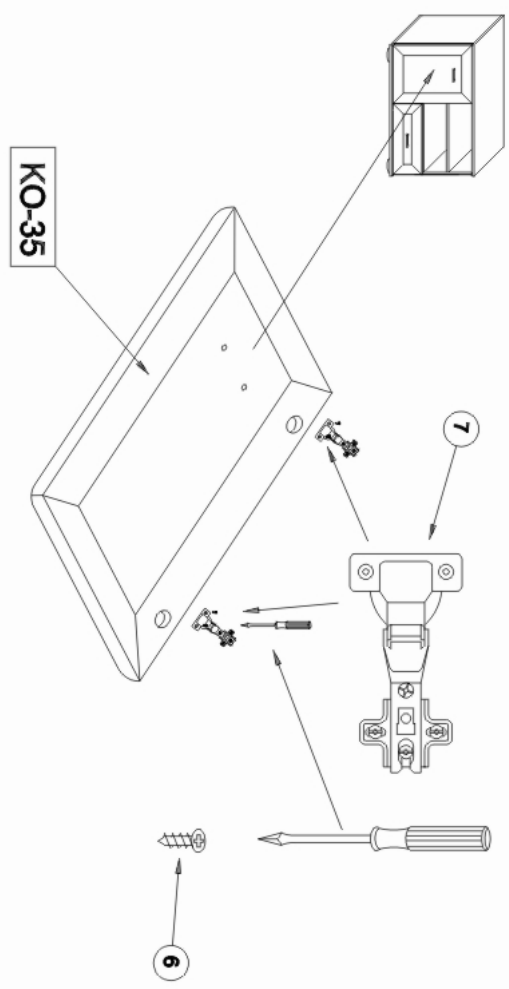
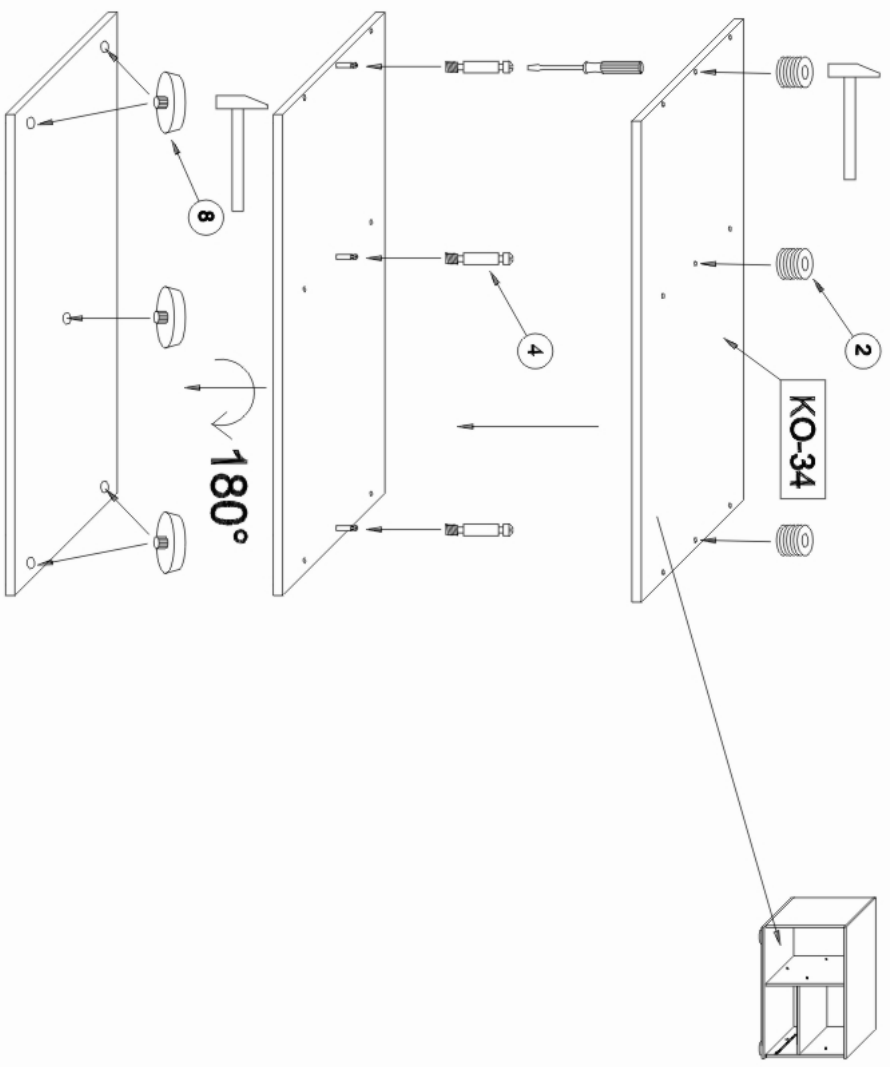
- 1 08x36 24 X
- 2 6 X
- 3 6 X
- 4 6 X
- 5 6 X

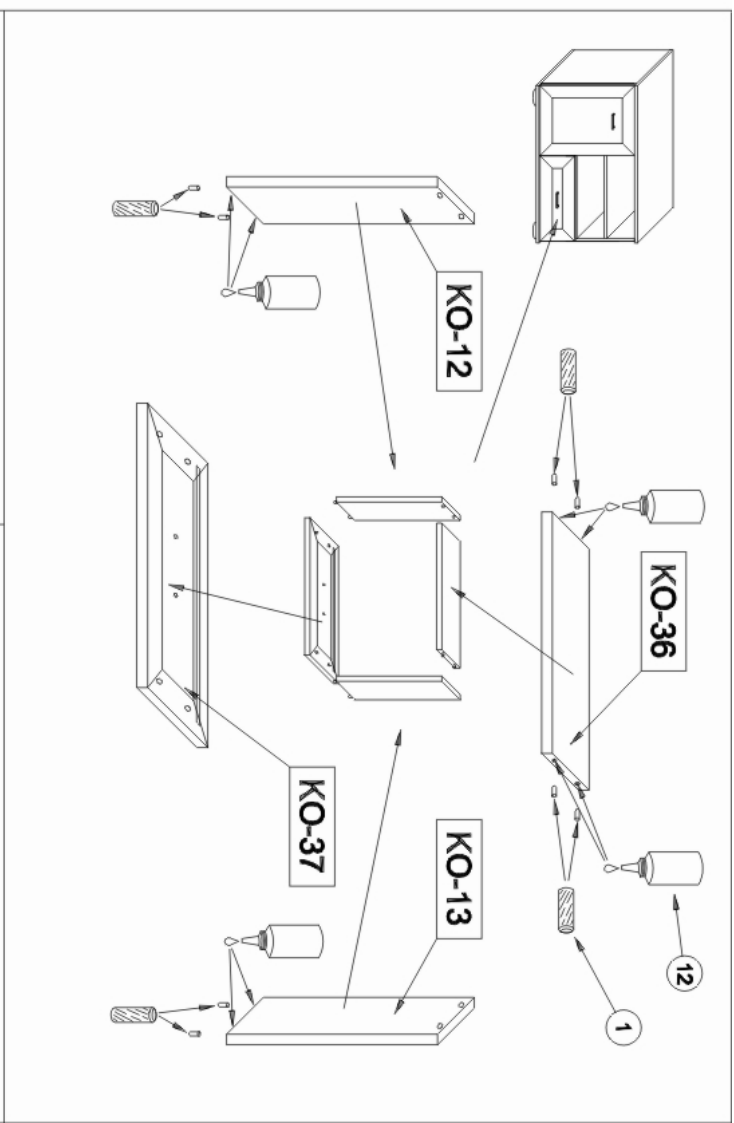
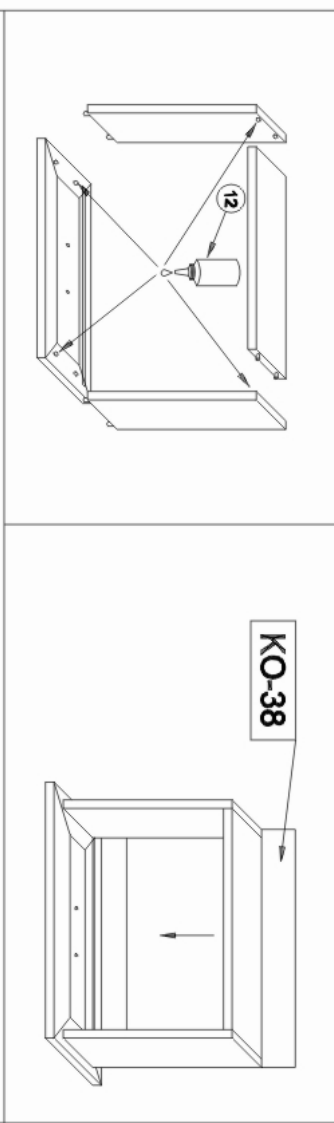
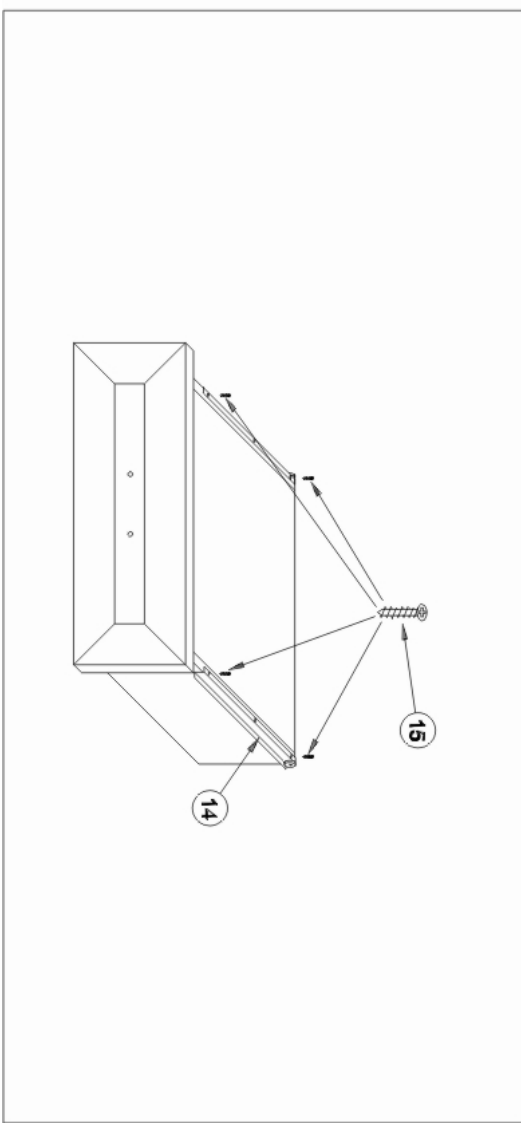
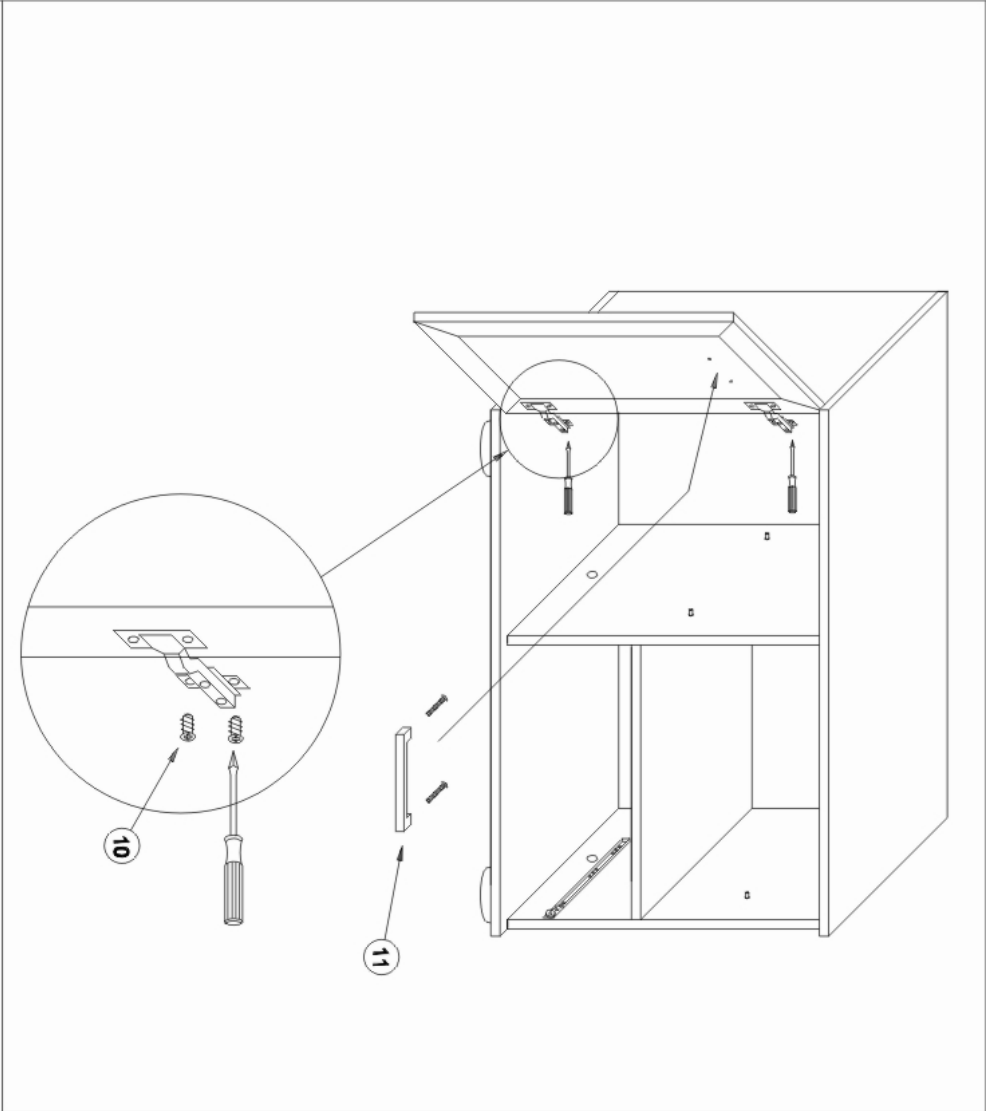
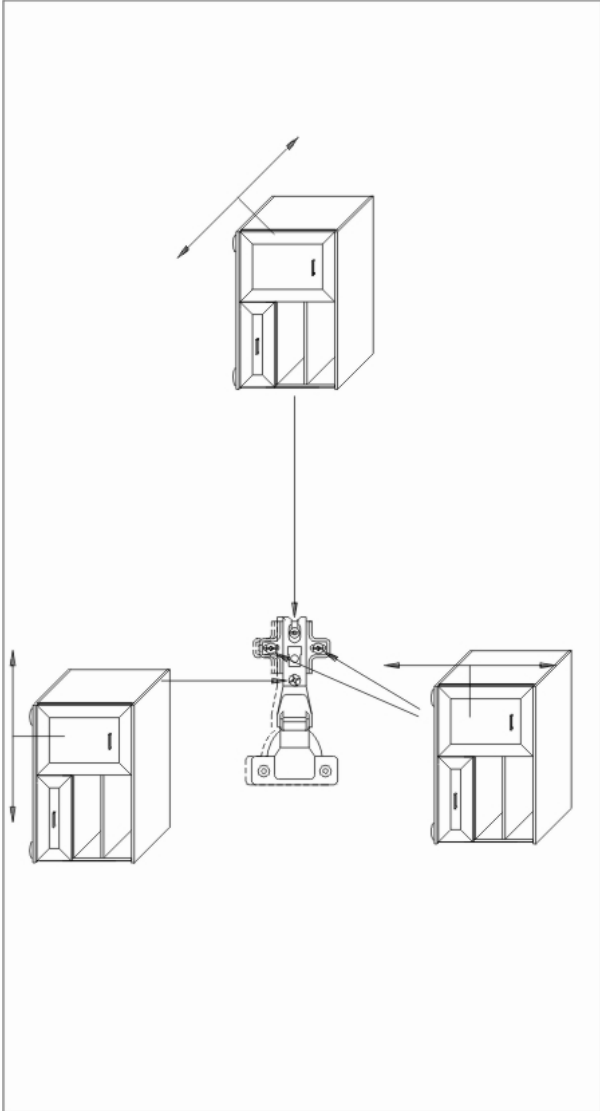
- 6 3.5x16 4 X
- 7 2 X
- 8 5 X
- 9 1.2-25 60 X
- 10 6.3x13 8 X

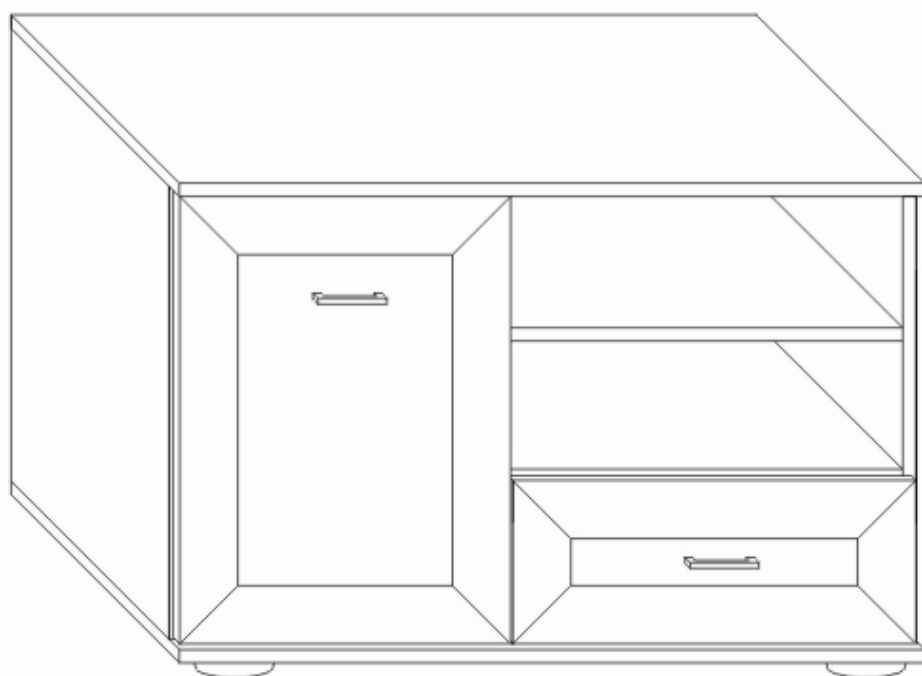
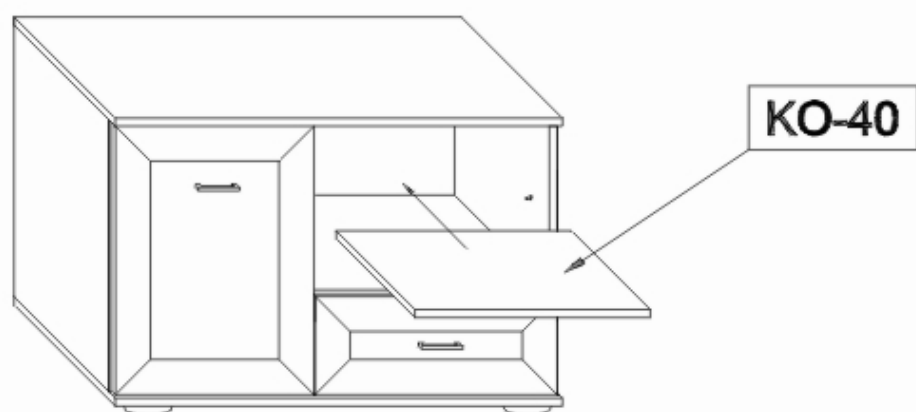
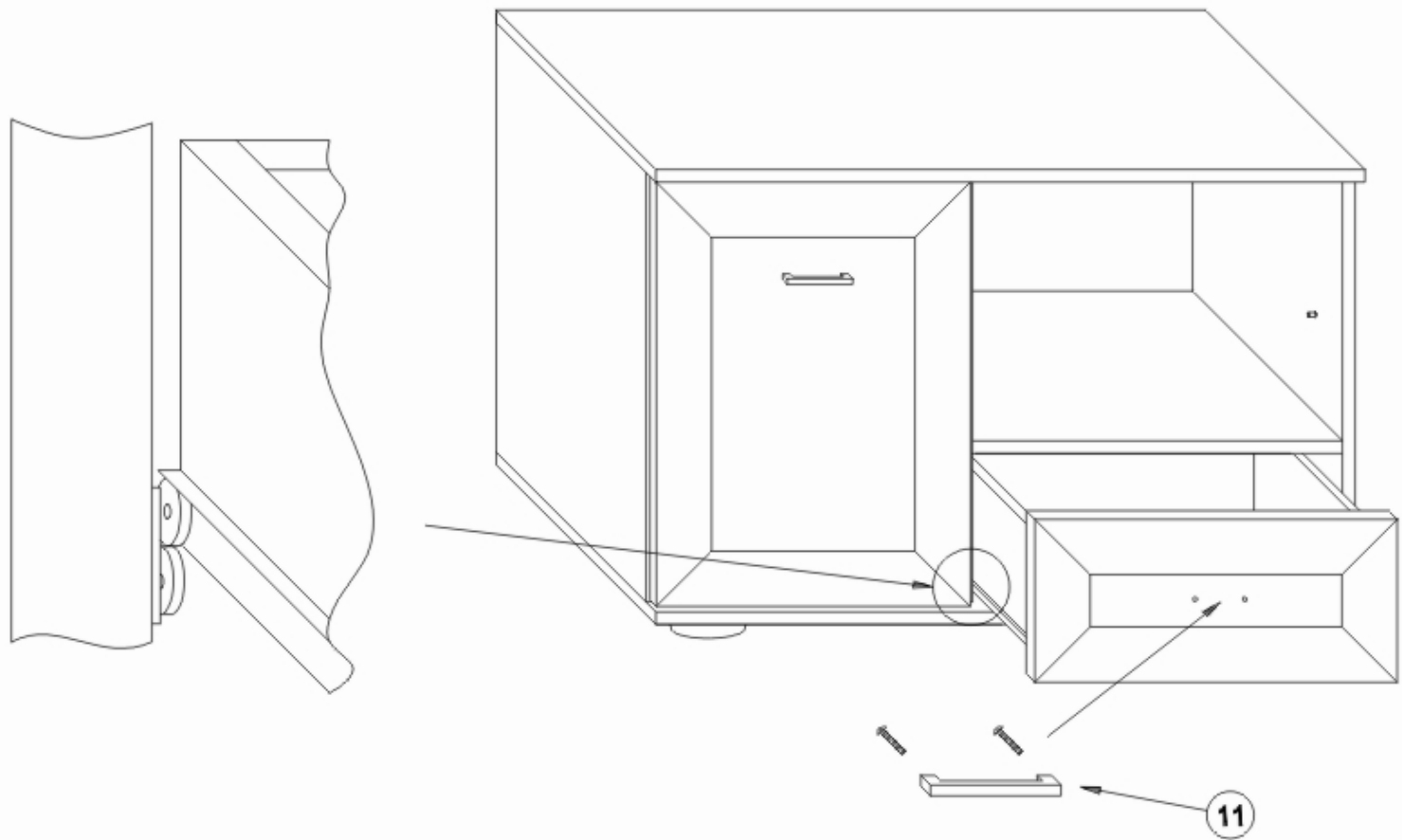
- 11 2 X
- 12 1 X
- 13 8 X
- 14 1 X (4 X)
- 15 3.5x25 4 X

- 16 2 X
- 17 2 X
- 18 1 X
- 19 1 X



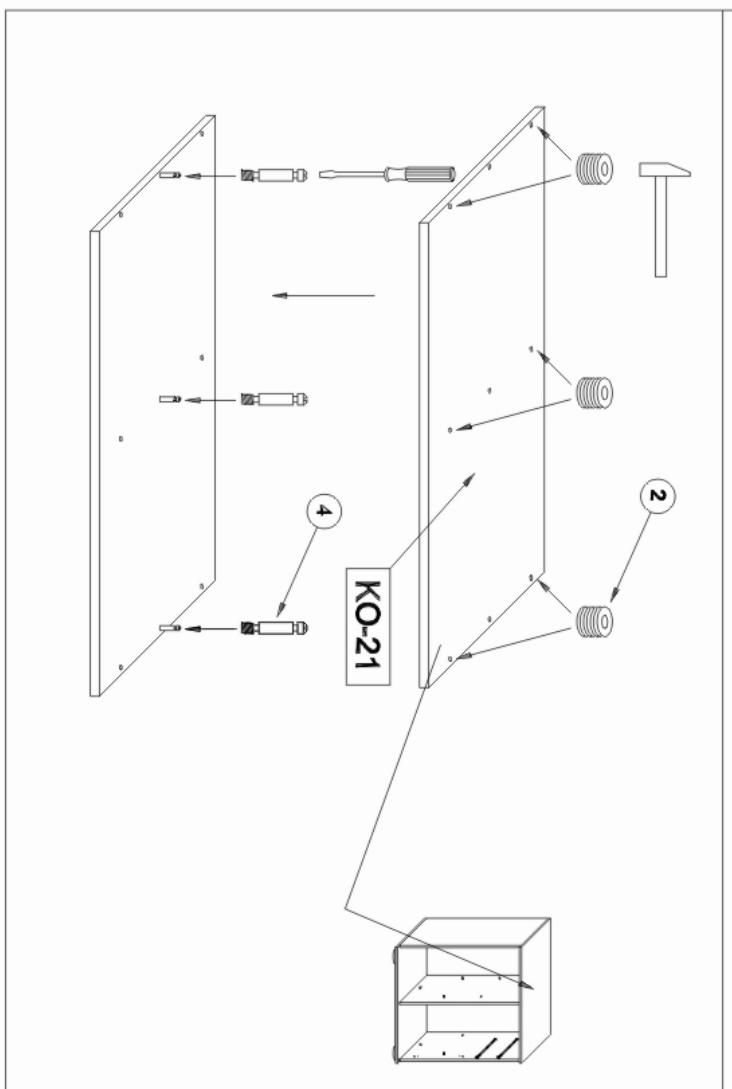
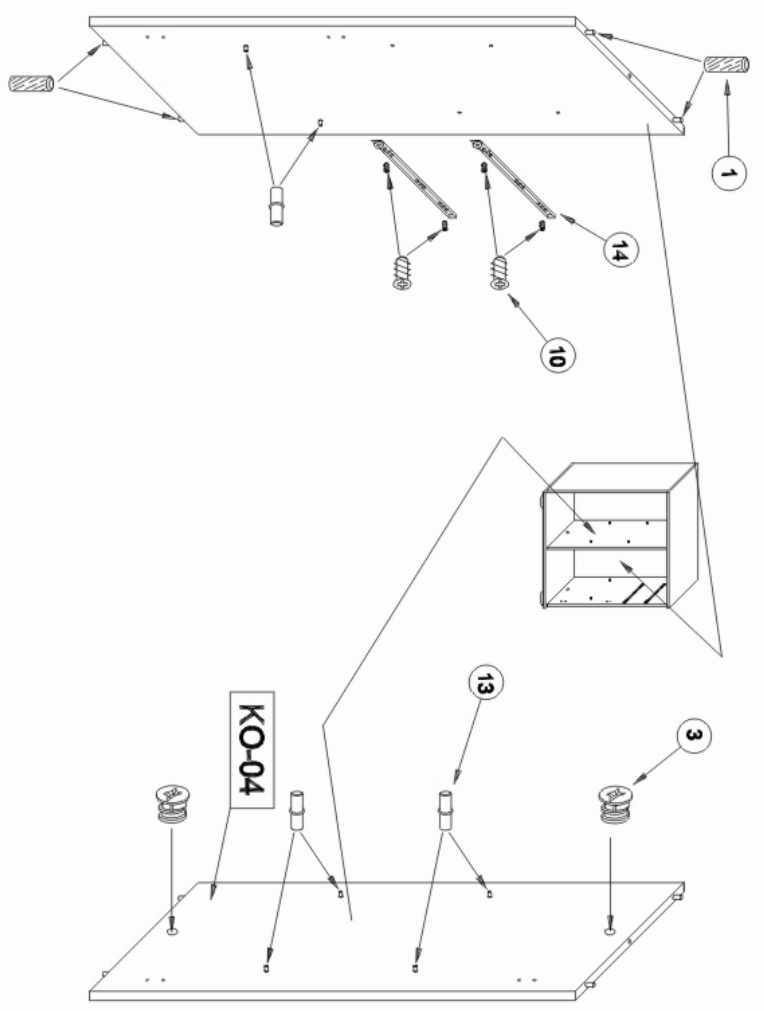
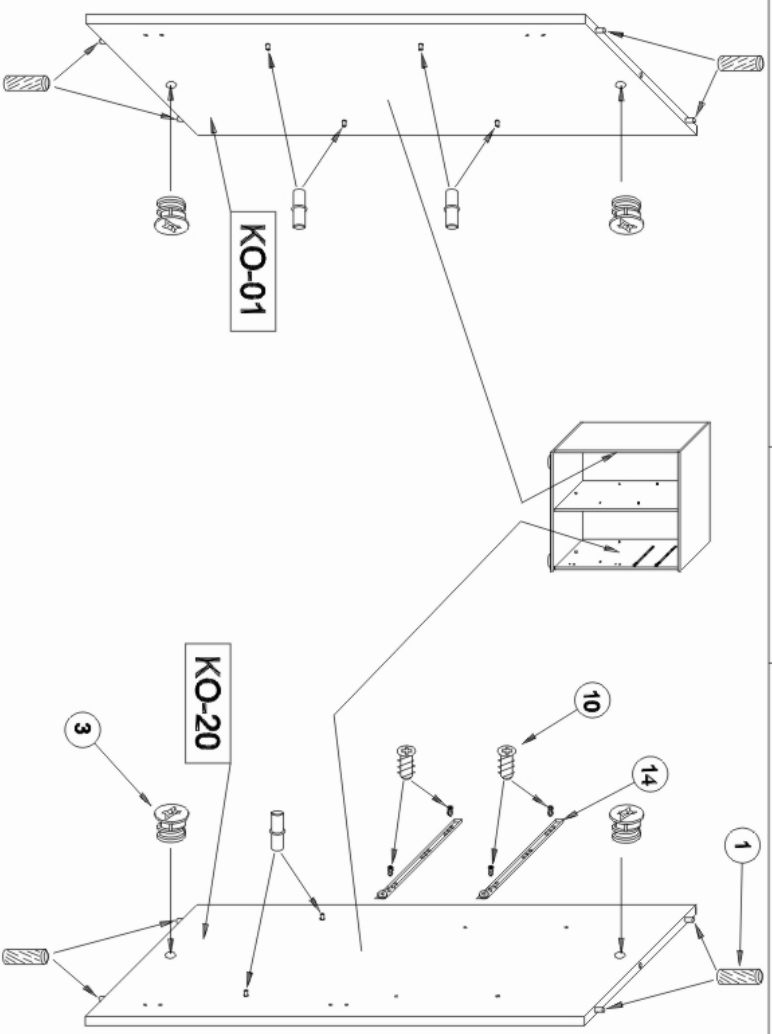
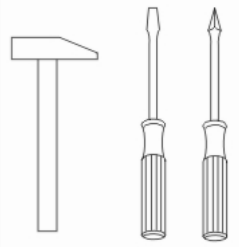
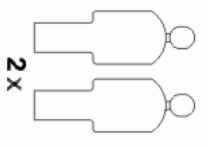
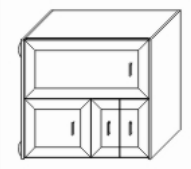


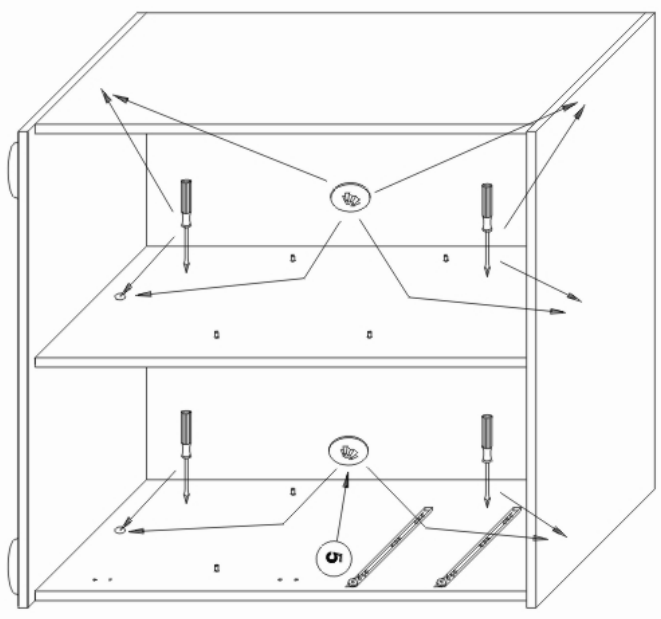
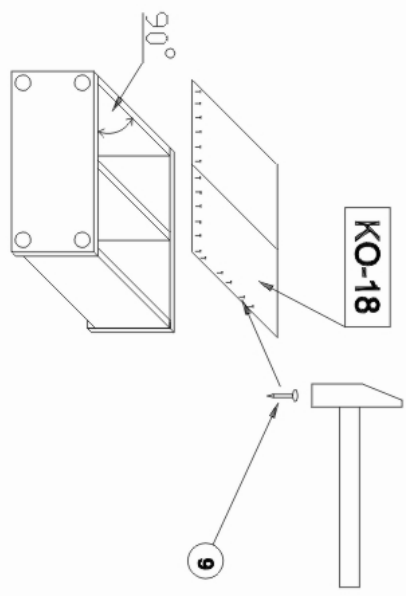
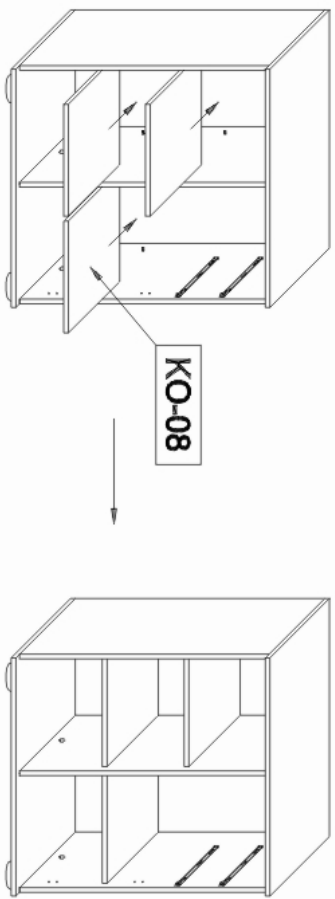
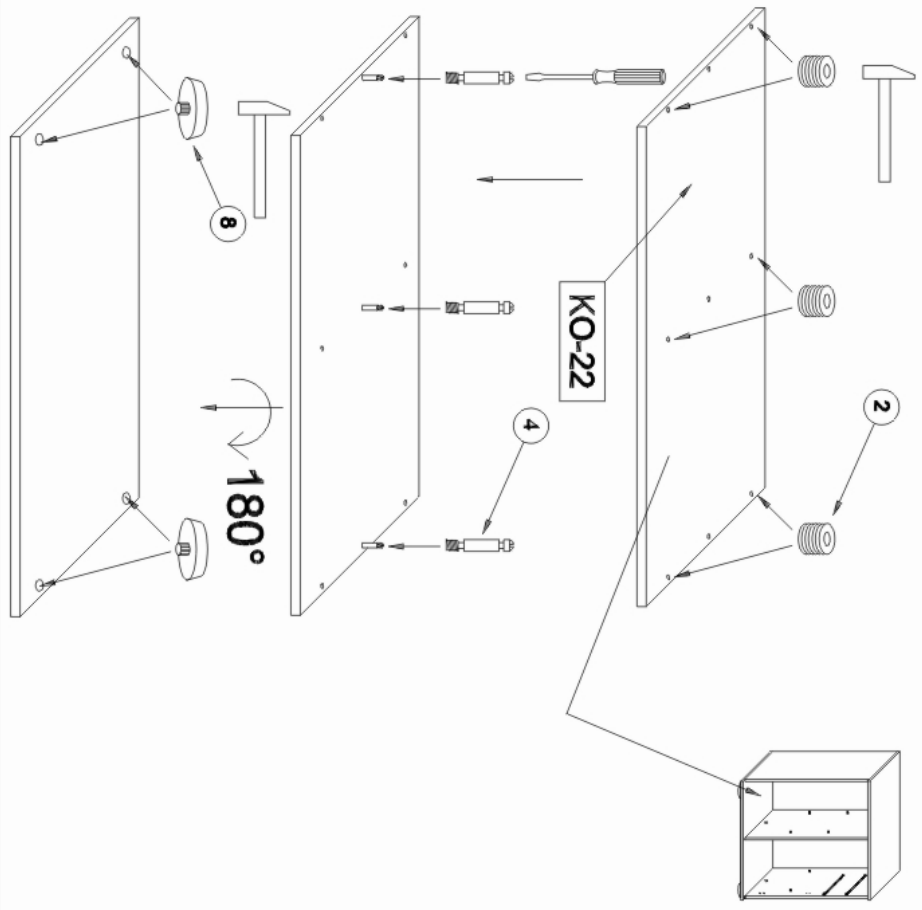
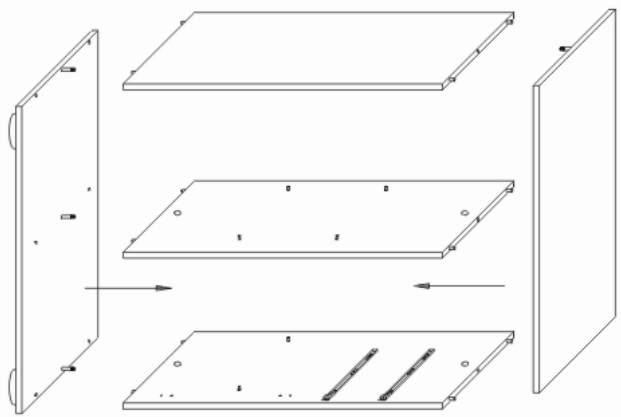


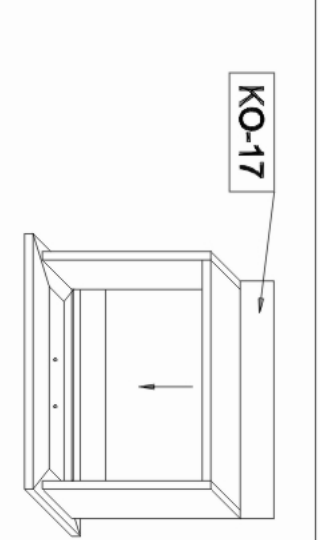
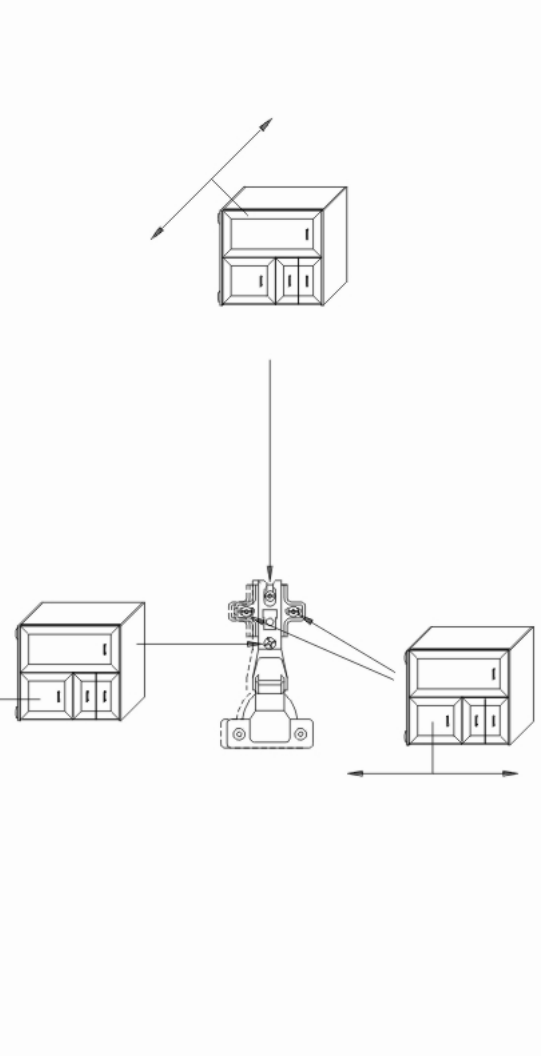
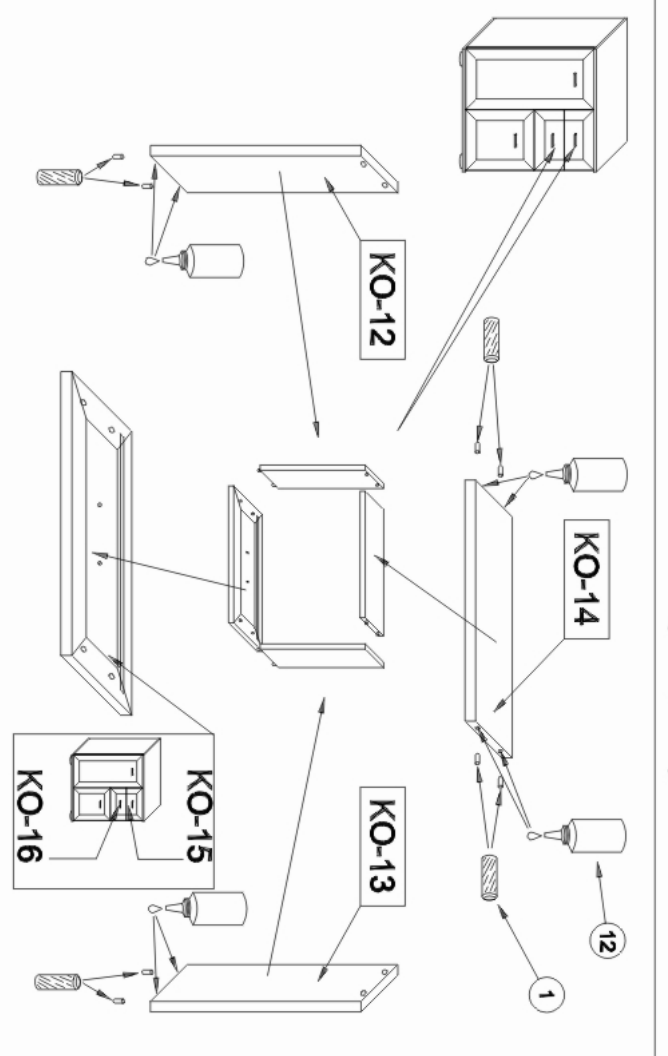
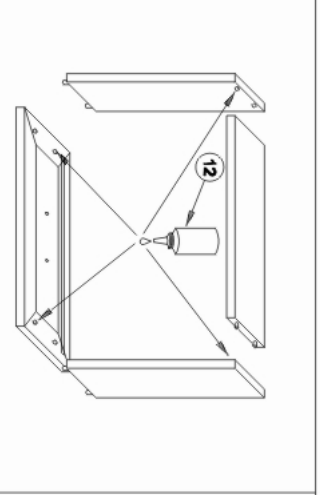
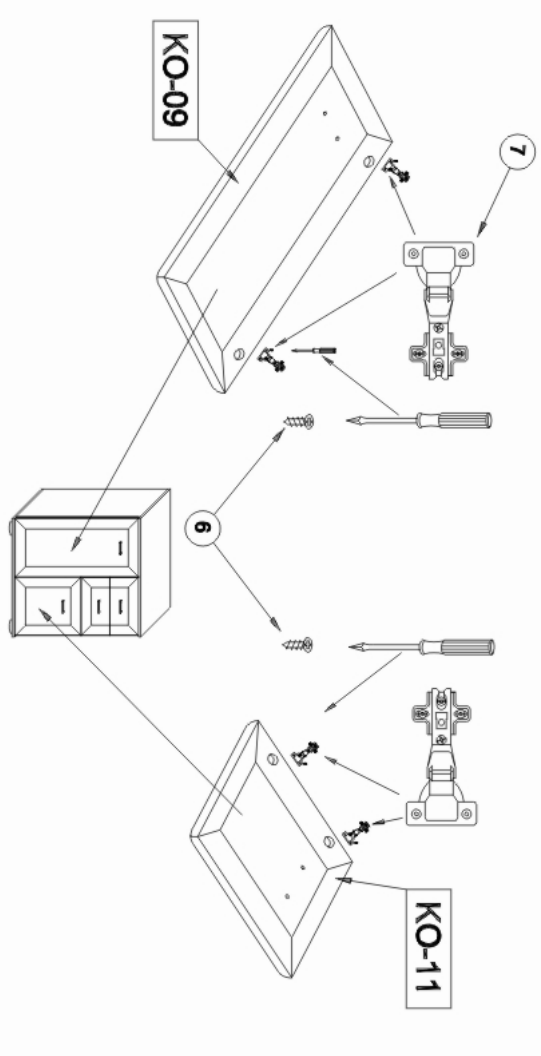
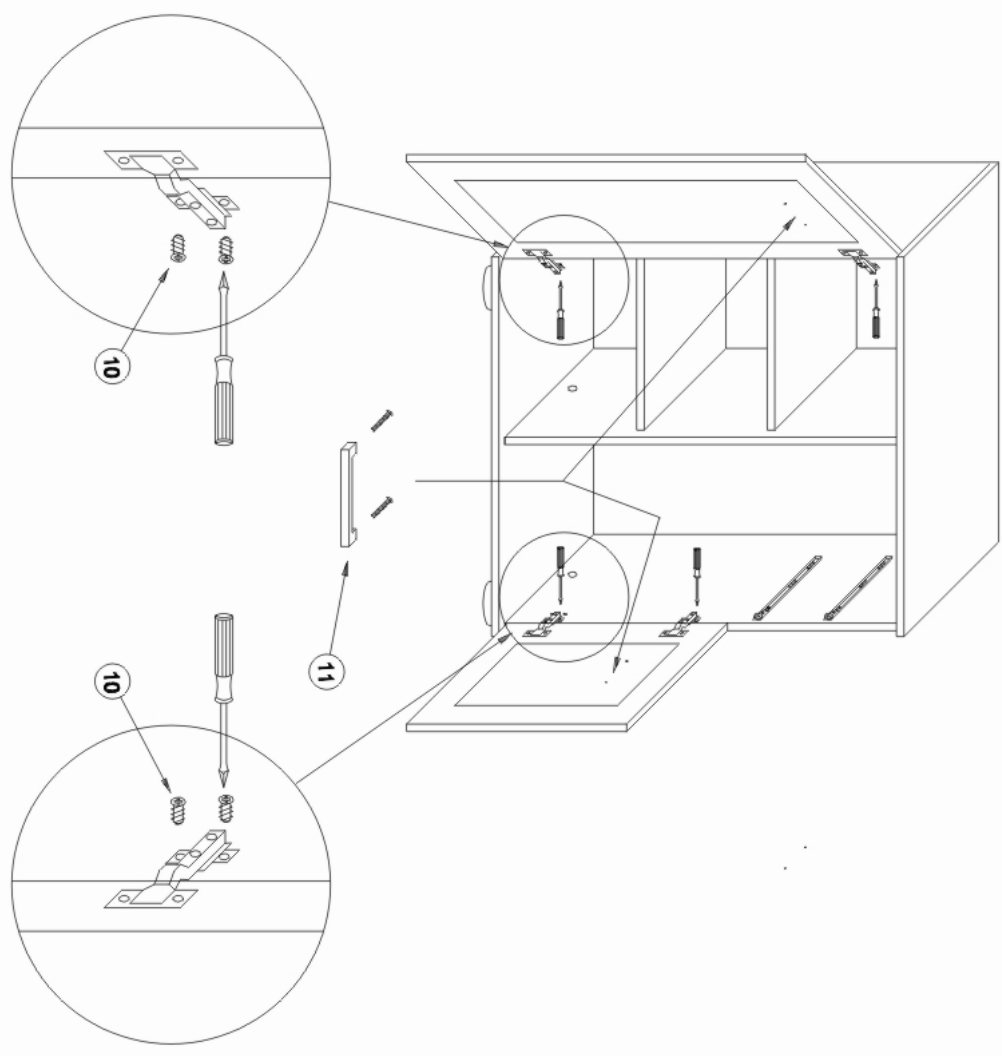


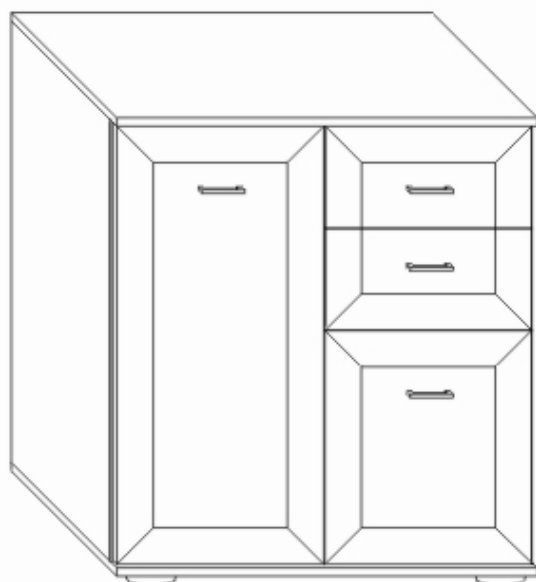
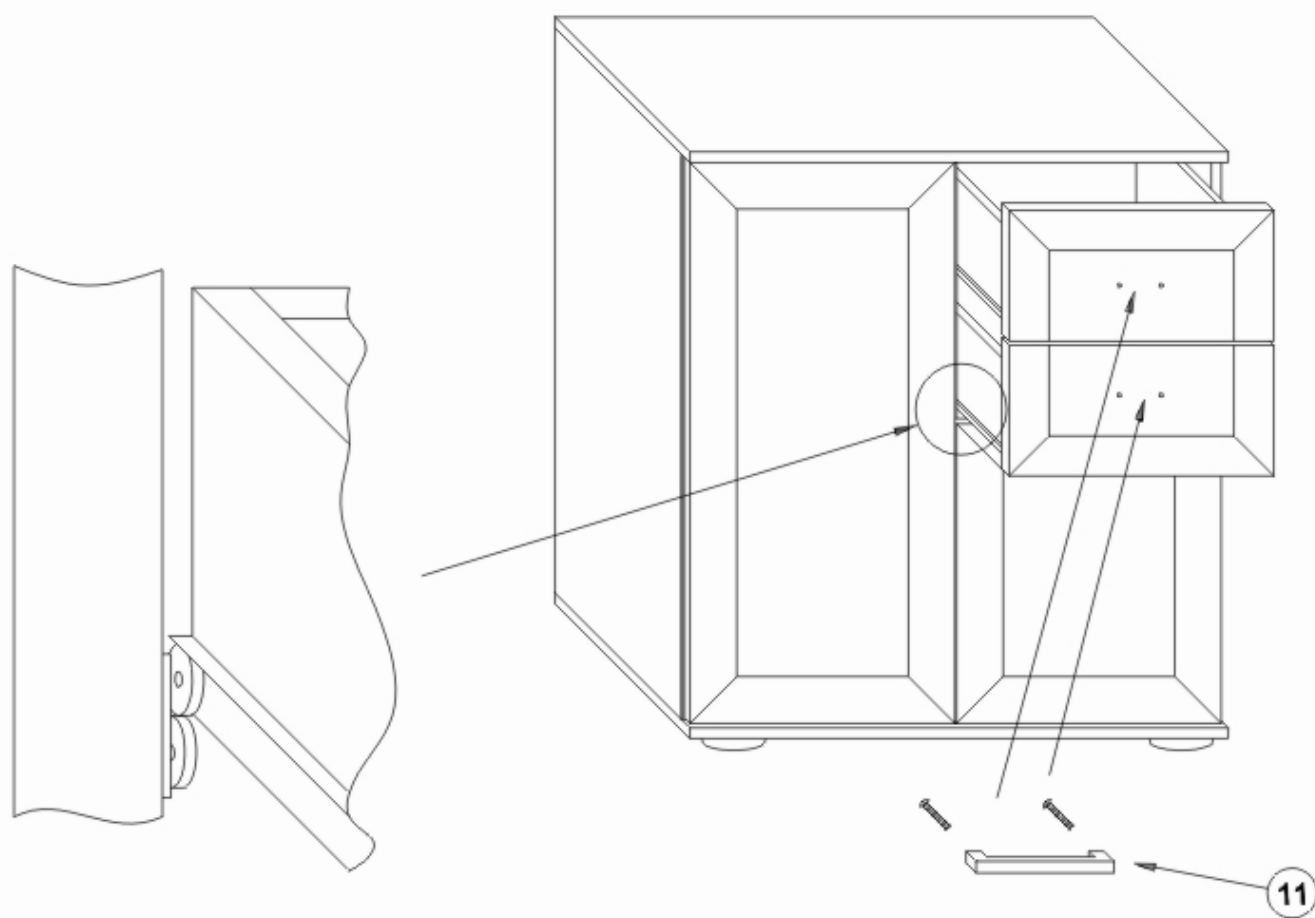
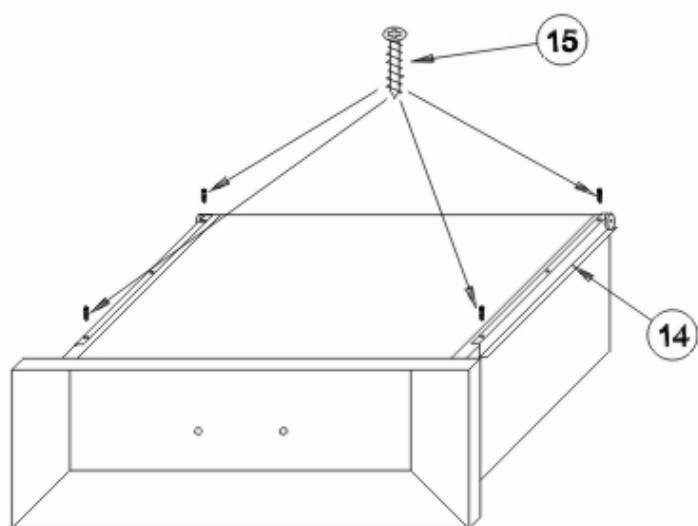
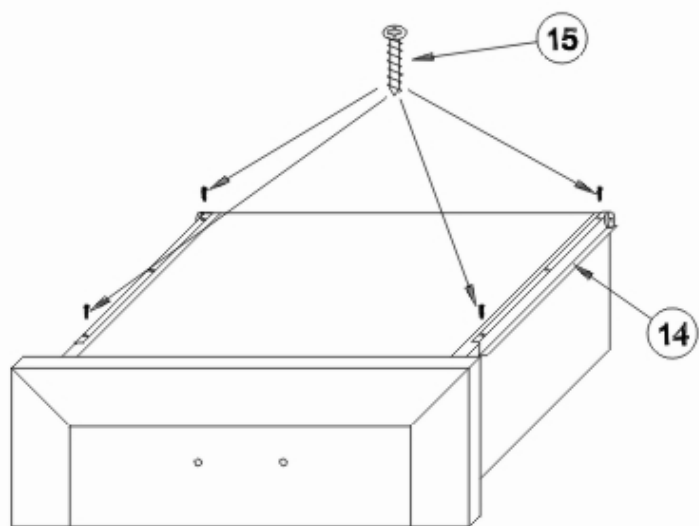
KOM 2D2S

- | | | |
|----|--------|-----------|
| 1 | Ø8x36 | 28 x |
| 2 | | 6 x |
| 3 | | 6 x |
| 4 | | 6 x |
| 5 | | 6 x |
| 6 | 3.5x16 | 8 x |
| 7 | | 4 x |
| 8 | | 4 x |
| 9 | 1.2x25 | 60 x |
| 10 | 6.3x13 | 16 x |
| 11 | | 4 x |
| 12 | | 1 x |
| 13 | | 12 x |
| 14 | | 2 x (8 x) |
| 15 | 3.5x25 | 8 x |









KOM 3D2S

- 1 08x36 32 x
- 2 8 x
- 3 8 x
- 4 8 x
- 5 8 x

- 6 3.5x16 12 x
- 7 6 x
- 8 5 x
- 9 1.2-25 60 x
- 10 6.3x13 24 x

- 11 5 x
- 12 1 x
- 13 20 x
- 14 2 x (8 x)
- 15 3.5x25 8 x

