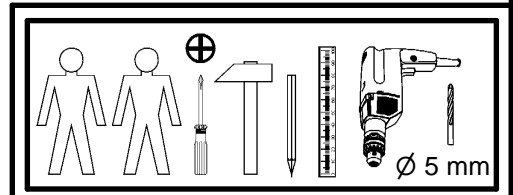
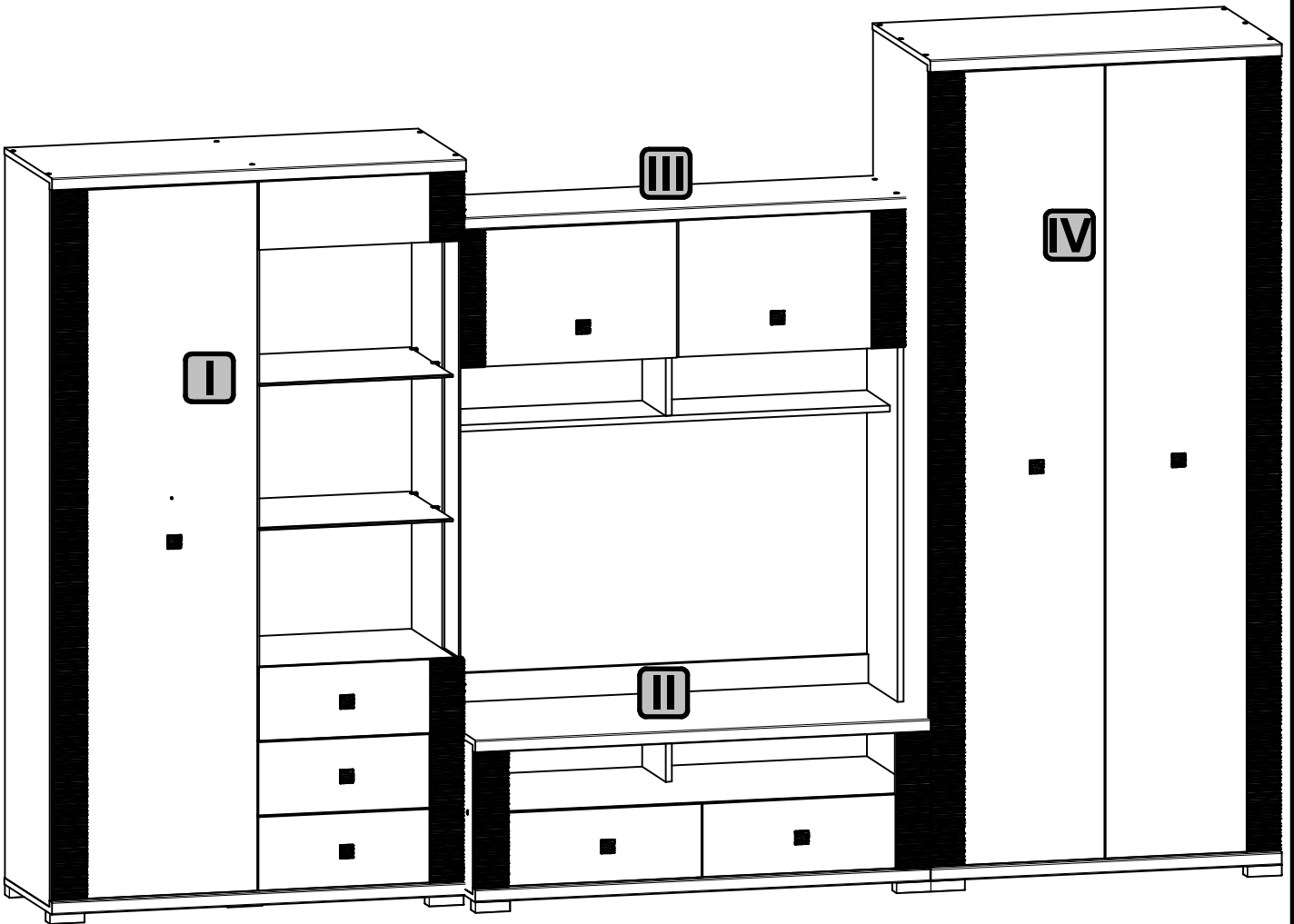


# M116-JASPI

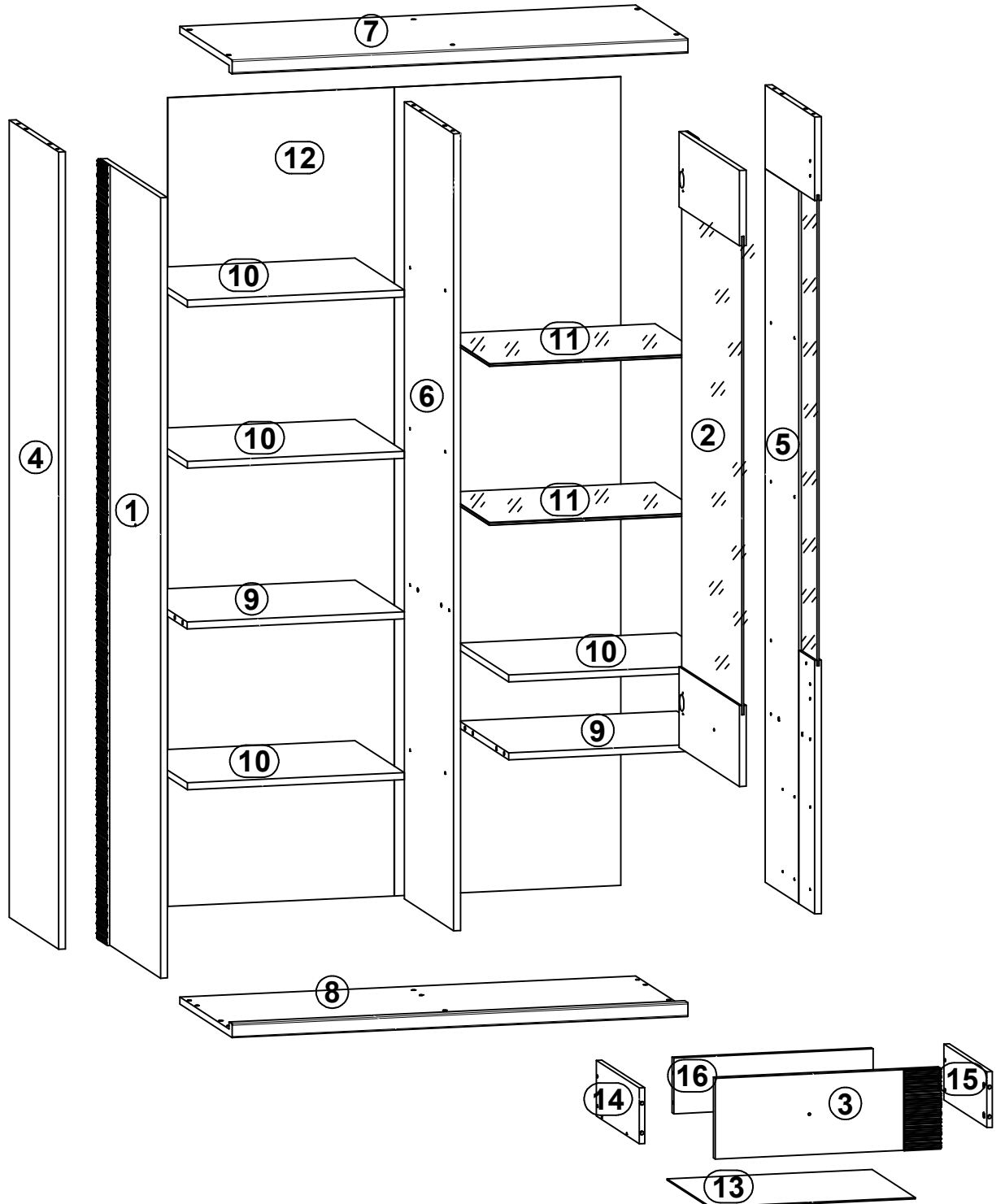
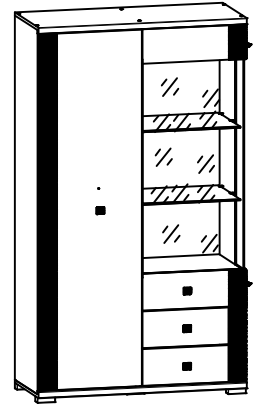


82x Ø8x30 mm f1	17x b19	40x r42	34x Ø6,3x13 mm e2	16x Ø5x17 mm d1	8x d12	2x 350 mm w45\CL	29x Ø6x13 mm e3	24x Ø15x12 mm #16 r1
2x 350 mm w45\CR	24x Ø3,5x16 mm p38	54x Ø7x50 mm e1	14x 84x40/25 mm k77	28x Ø4x25 mm p36	16x Ø6,5x40 mm f25	16x Ø12x10,5 mm #12 r15	2x 350 mm w45\DL	16x Ø5x9 mm e19
2x 350 mm w45\DR	10x c295\2	10x c295\1	10x M4x22 mm j30	275x l1	17x a44	34x Ø3,5x15 mm p51	2x 450 mm w24\CL	2x 450 mm w24\CR
3x Ø3x12 mm p54	2x 450 mm w24\DL	2x 450 mm w24\DR	2x 62x12/1 mm n52	6x Ø3,5x16 mm p25	2x n1	2x Ø3,5x13 mm p1	12x M4x12 mm j45\1	6x j45\2
2x z1	2x n26\1	2x Ø3,5x16 mm p38	18x Ø16 s2	13x s1				

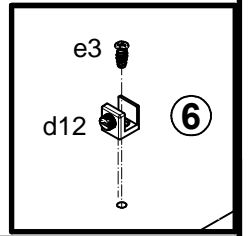
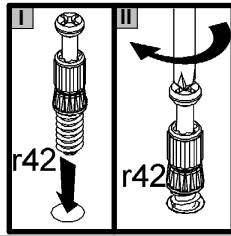
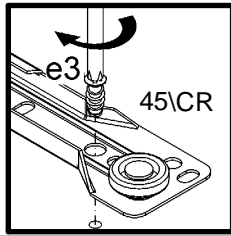
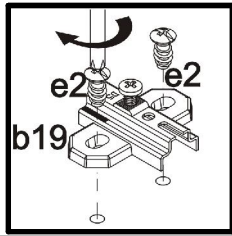
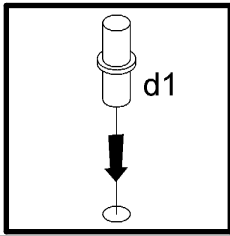
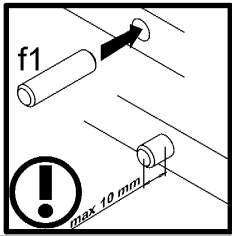
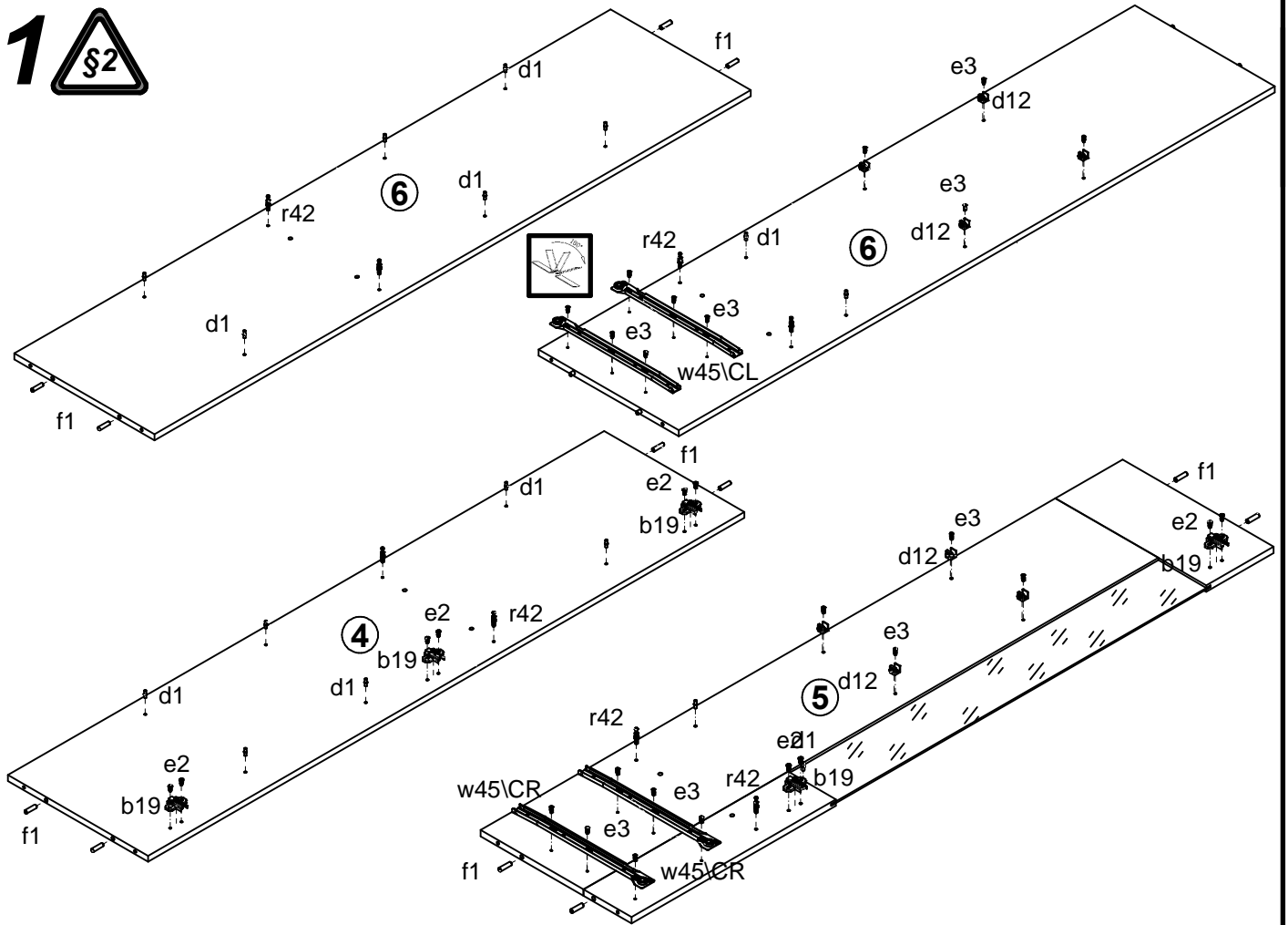
# I

# M116-REG1D1W2S

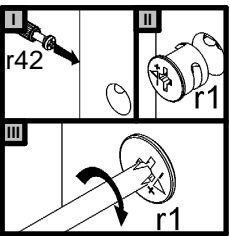
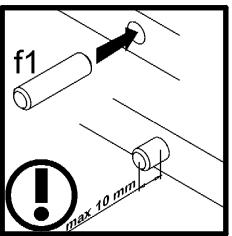
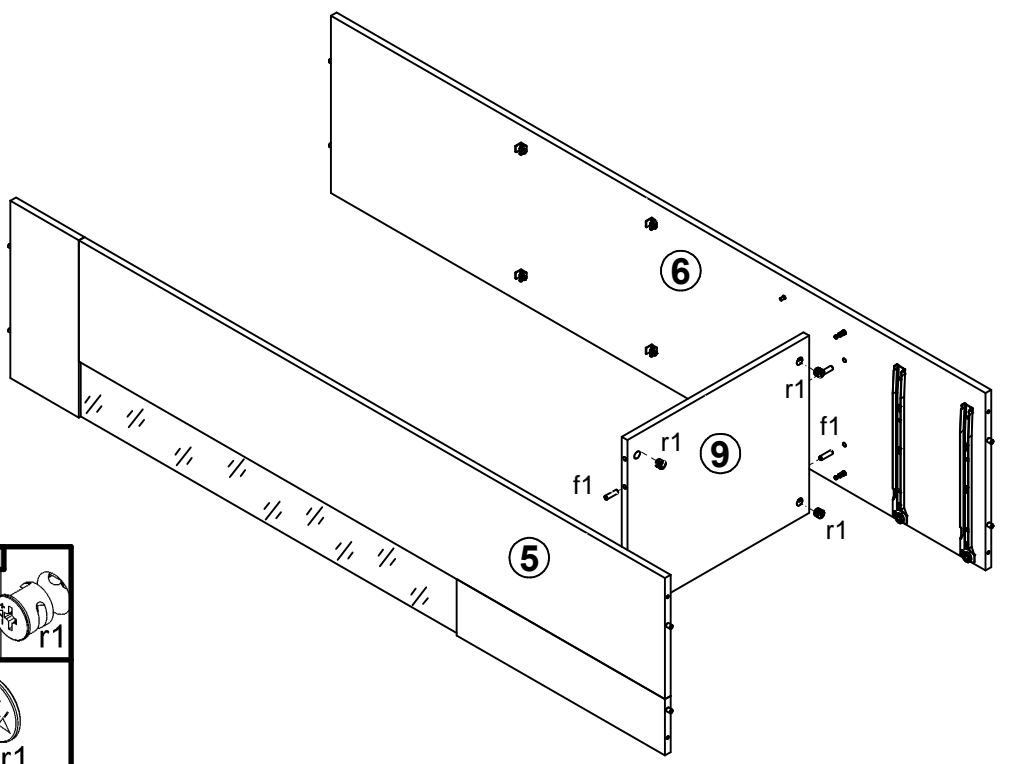
A	B	C	D	A	B	C	D		
1	M116-005	1680	493	9/9	12	M116-906	1741	993	5/9
2	M116-006	1326	493	9/9	13	M116-907	449	355	5/9
3	M116-007	493	174	9/9	14	ZS3-509	350	120	1/9
4	M116-112	1716	403	1/9	15	ZS3-510	350	120	1/9
5	M116-113	1716	403	9/9	16	ZS3-5528	427	120	1/9
6	M116-114	1716	403	1/9					
7	M116-206	999	428	3/9					
8	M116-207	999	428	3/9					
9	M116-305	476	403	1/9					
10	M116-306	475	403	1/9					
11	M116-502	467	383	4/9					



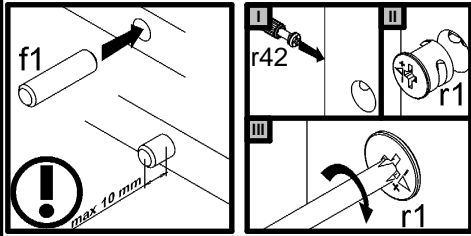
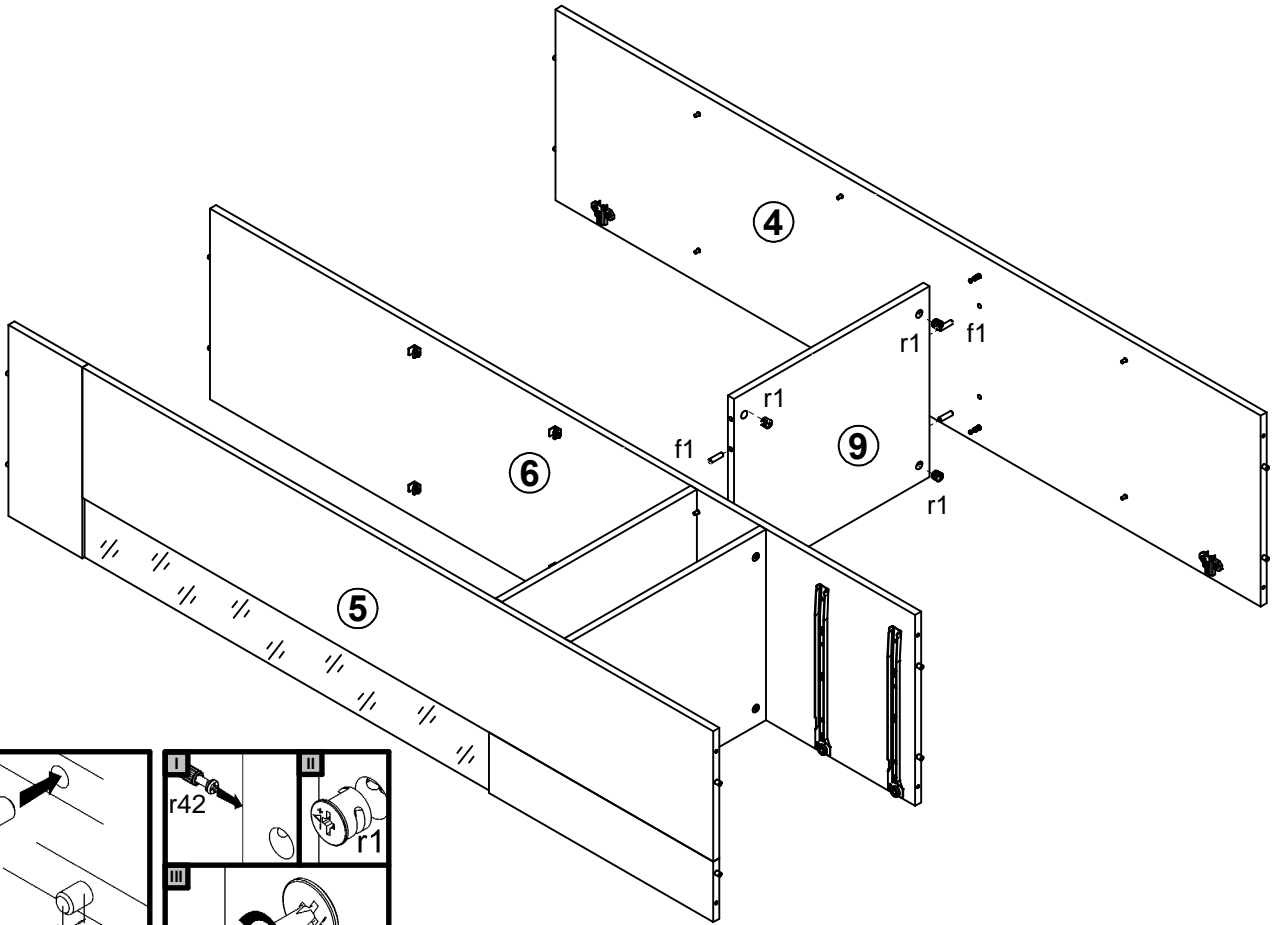
# 1



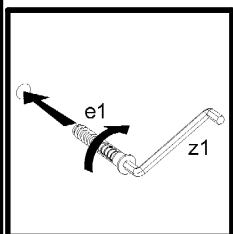
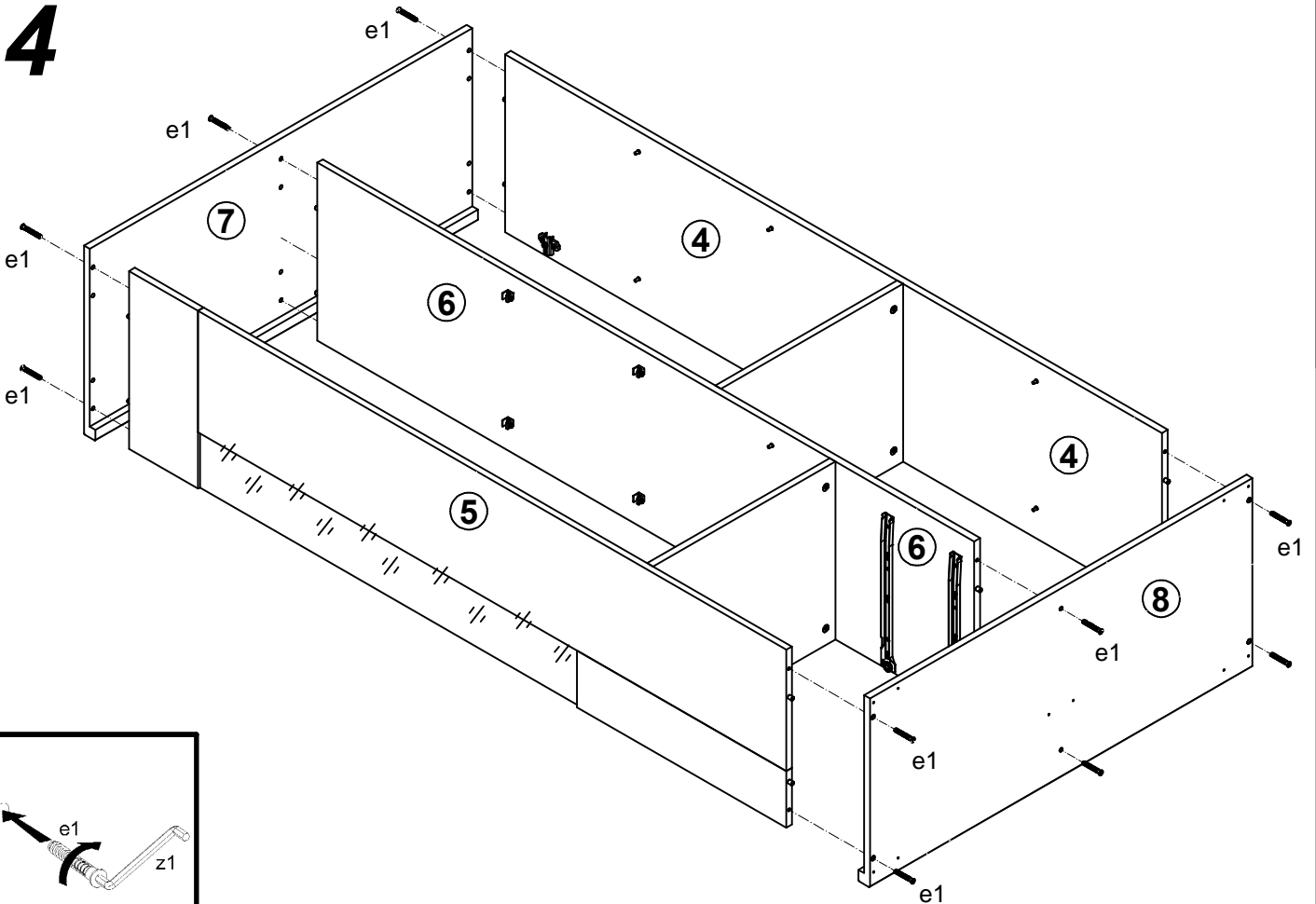
# 2



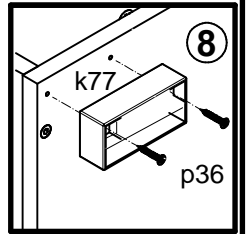
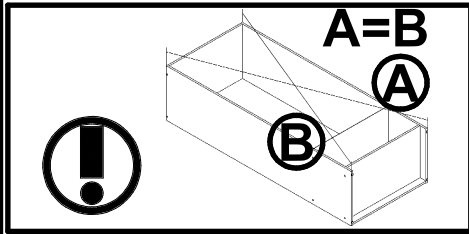
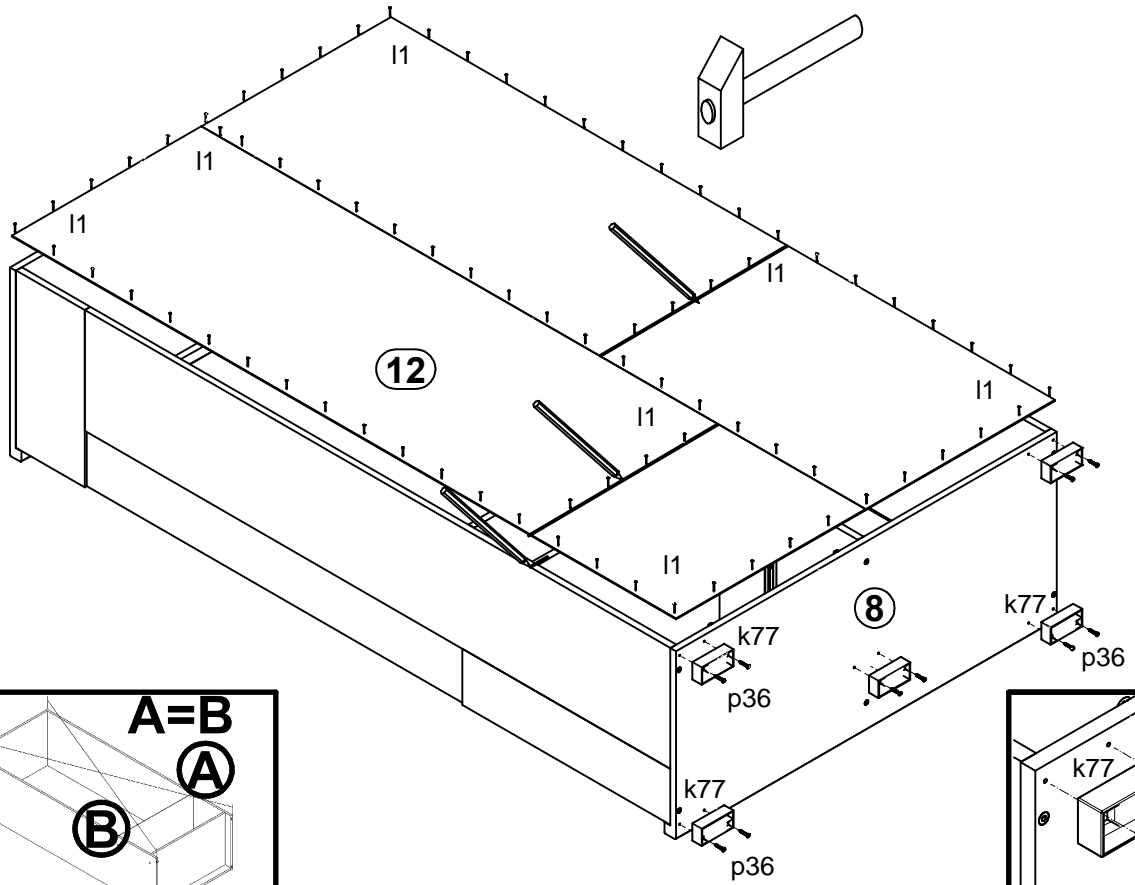
# 3



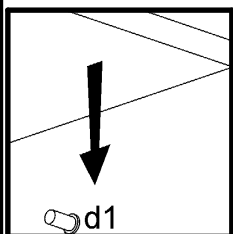
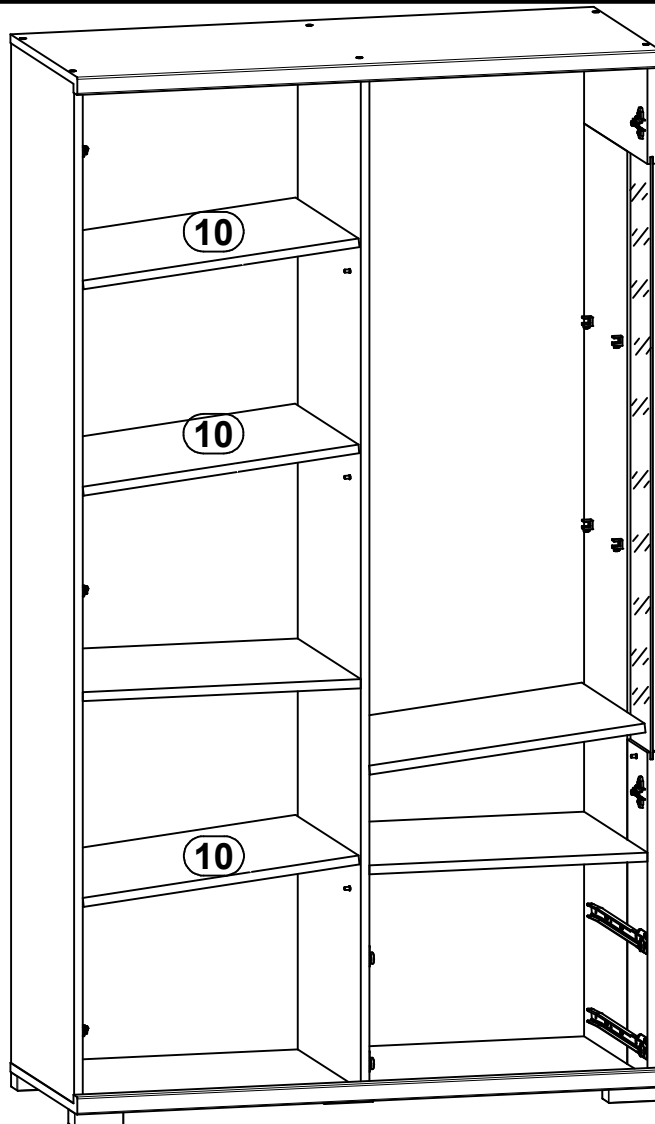
# 4



# 5

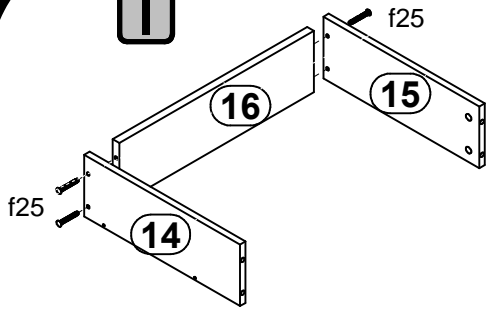


# 6

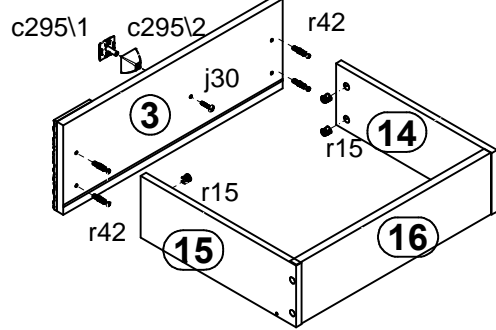


# 7

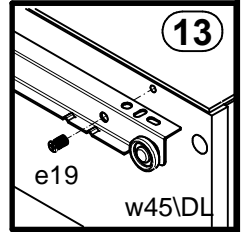
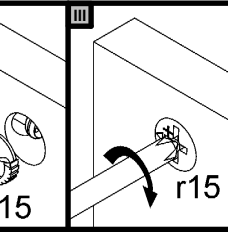
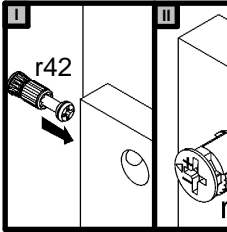
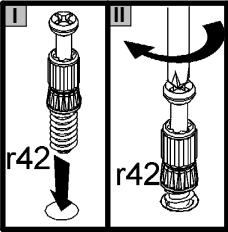
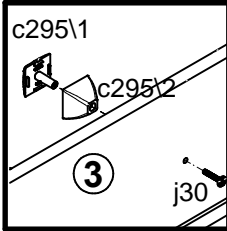
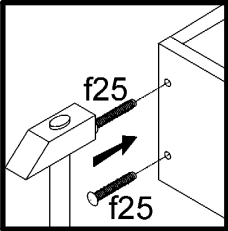
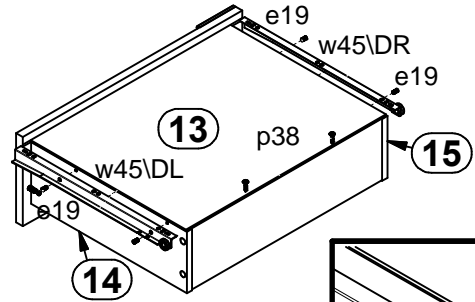
## I



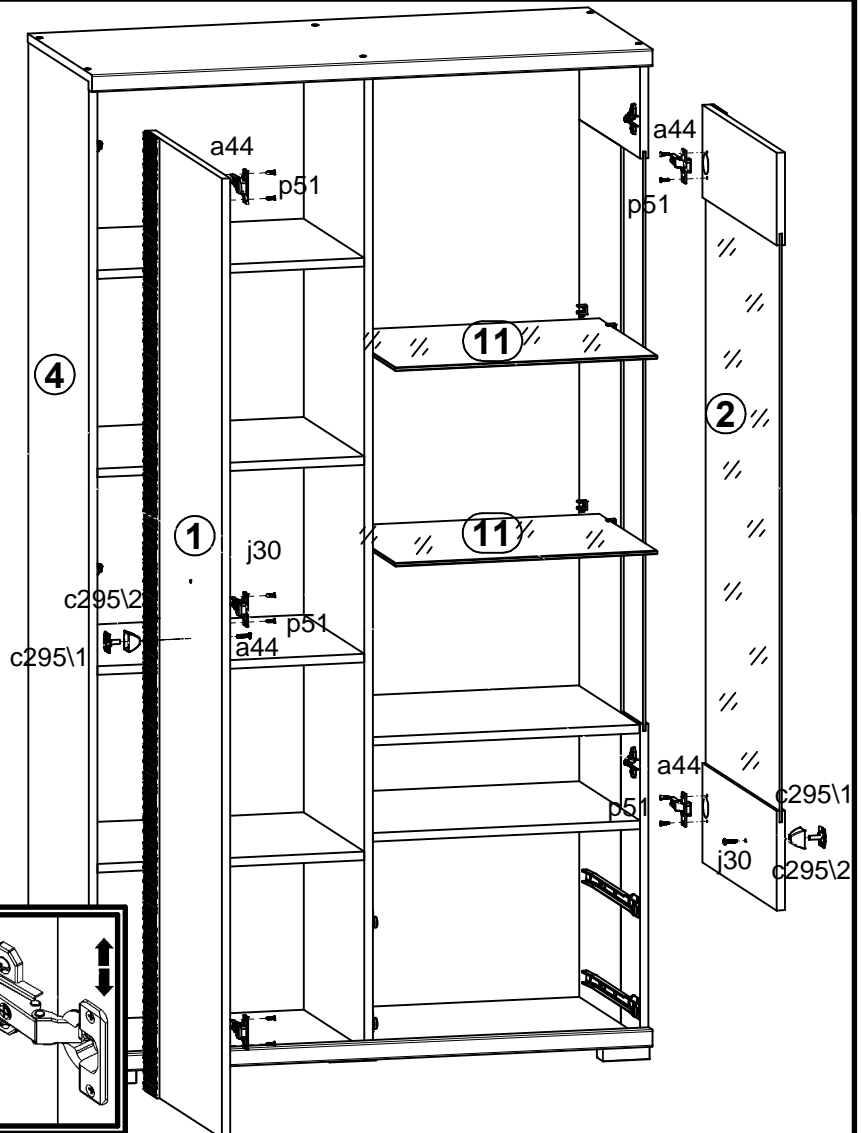
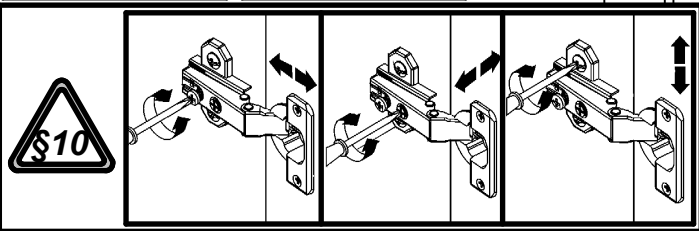
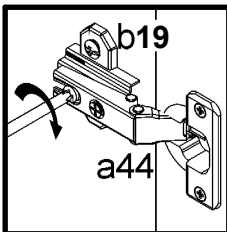
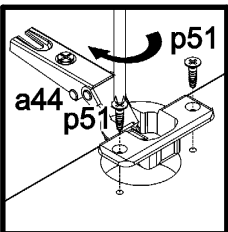
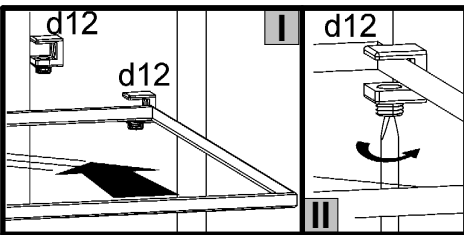
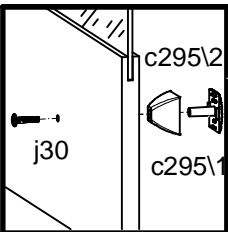
## II



## III



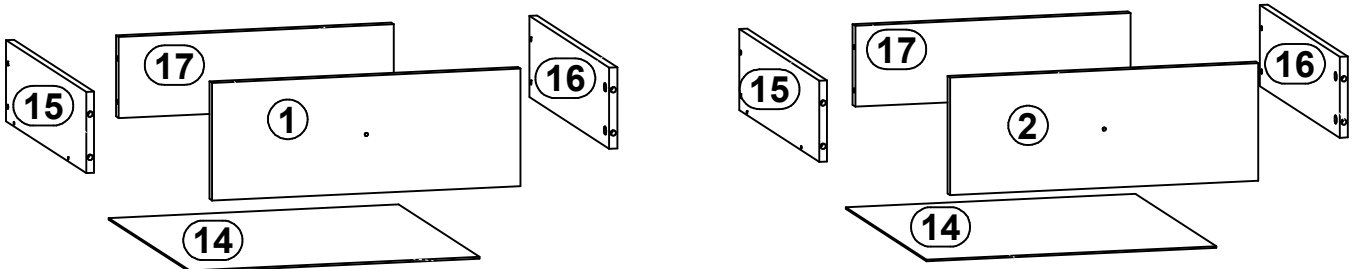
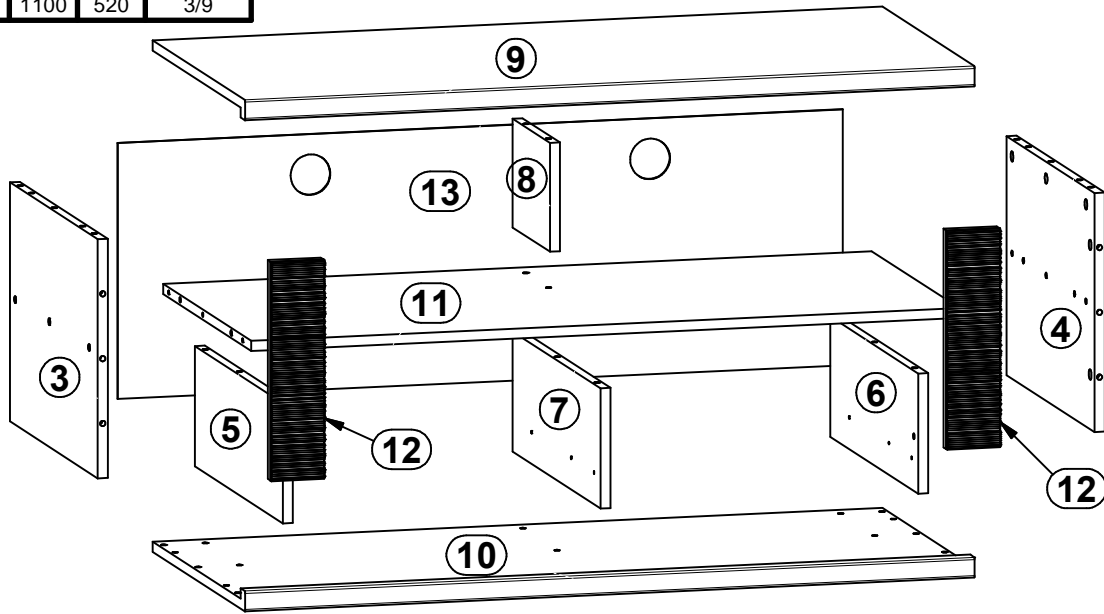
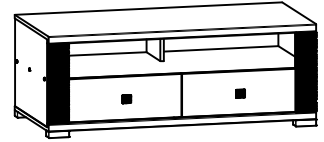
# 8



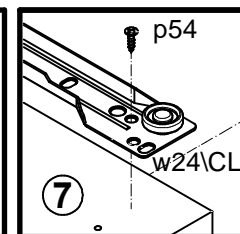
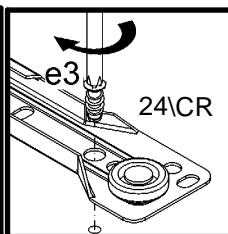
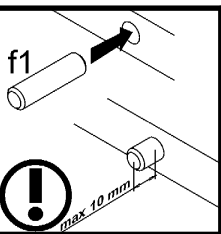
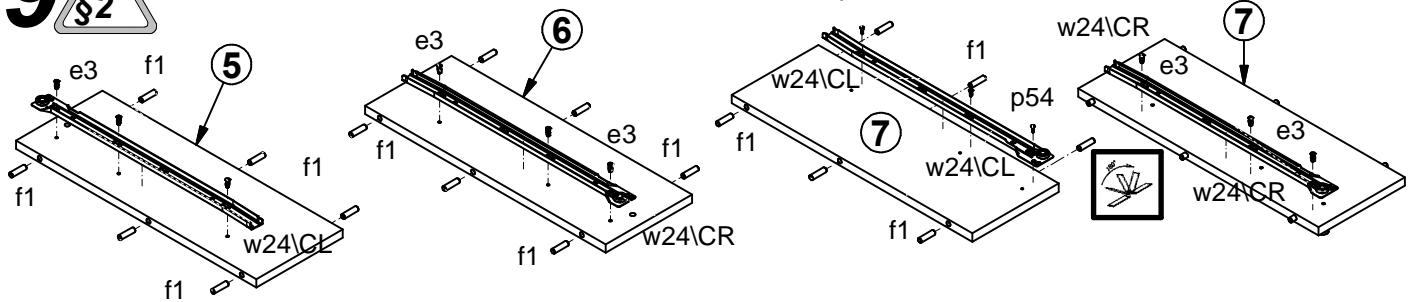


# M116-RTV2S

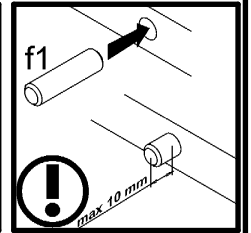
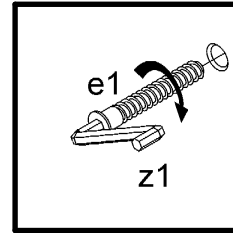
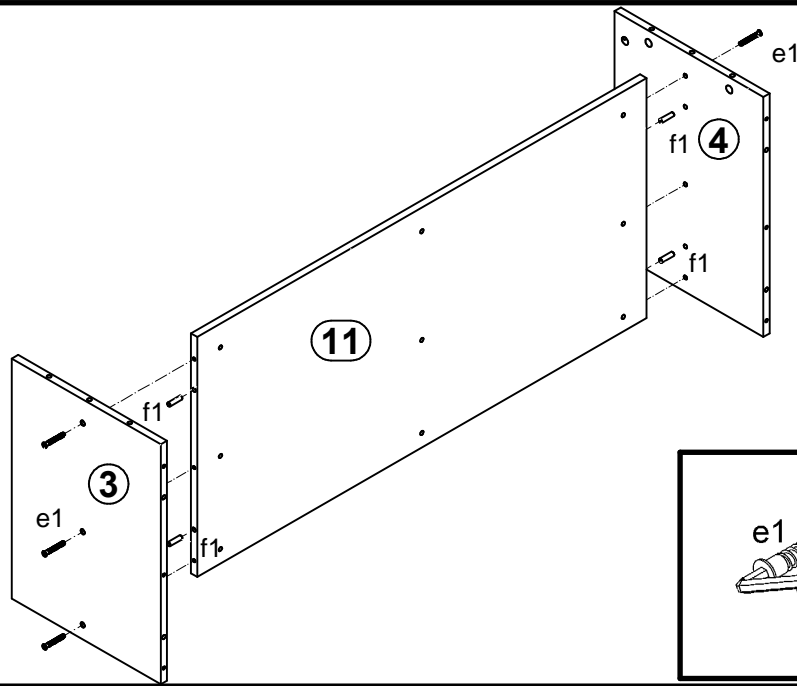
A	B	C	D	A	B	C	D		
1	M116-002	465	174	8/9	10	M116-204	1100	520	3/9
2	M116-003	465	174	8/9	11	M116-302	1068	495	3/9
3	M116-103	354	495	3/9	12	M116-402	324	80	8/9
4	M116-104	354	495	3/9	13	M116-902	379	1093	5/9
5	M116-105	178	495	3/9	14	M116-903	437	455	5/9
6	M116-106	178	495	3/9	15	ZS3-513	450	120	1/9
7	M116-107	178	495	3/9	16	ZS3-514	450	120	1/9
8	M116-108	161	210	3/9	17	ZS3-5520	415	120	1/9
9	M116-203	1100	520	3/9					



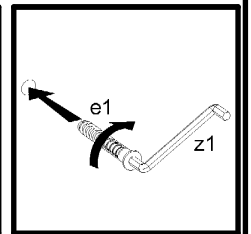
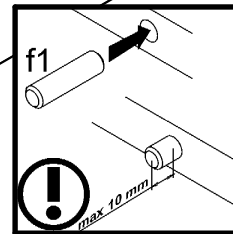
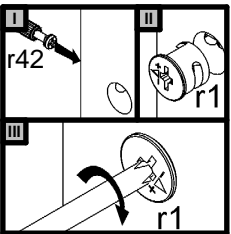
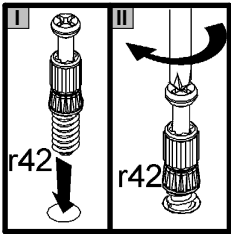
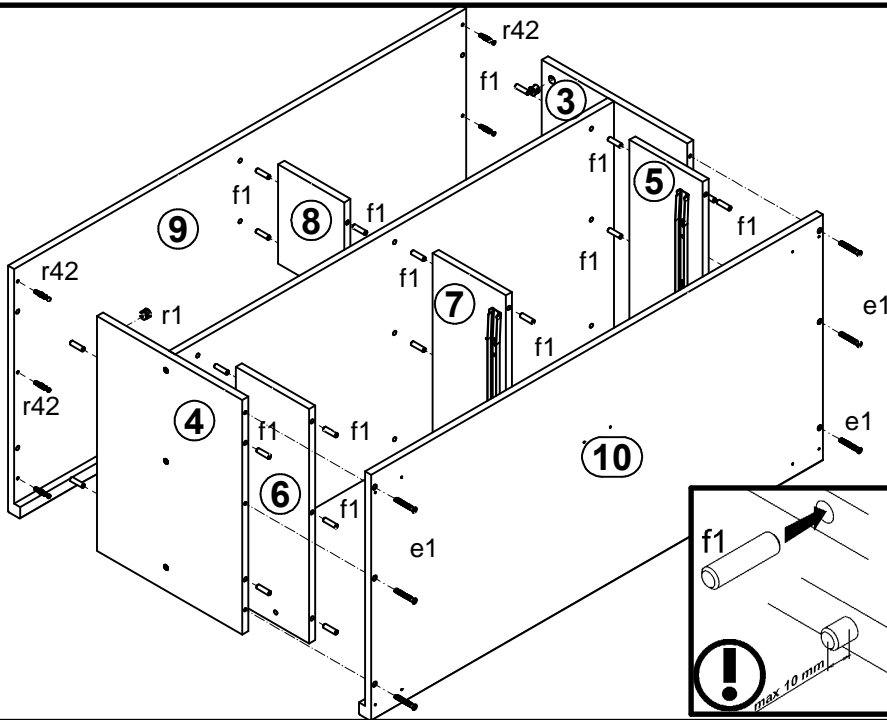
## 9 §2



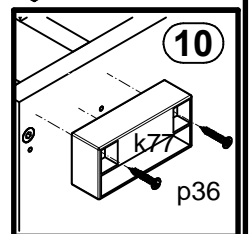
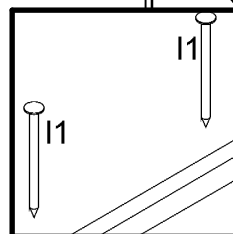
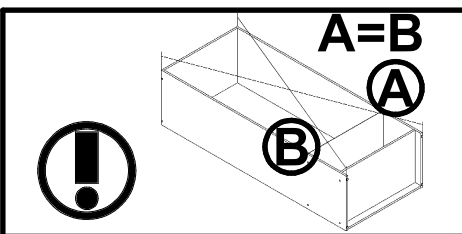
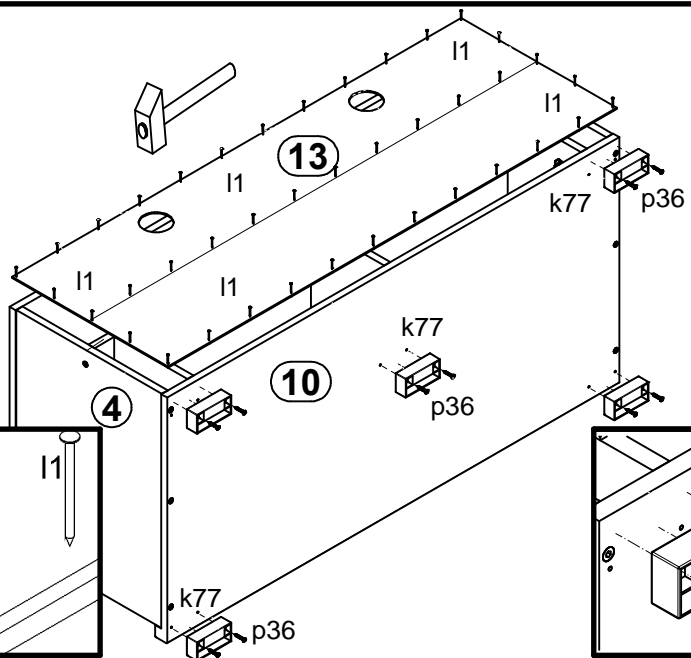
# 10



# 11

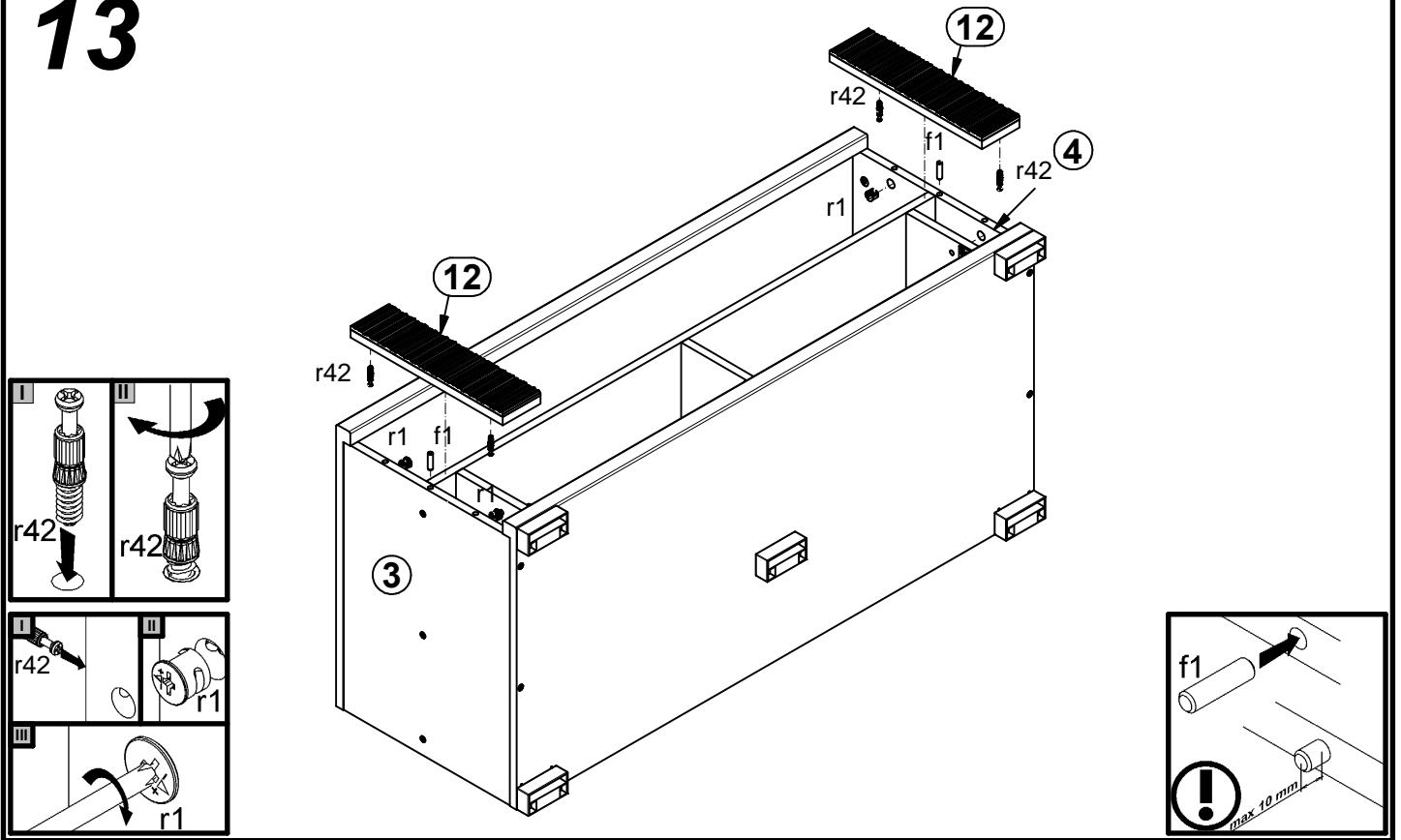


# 12

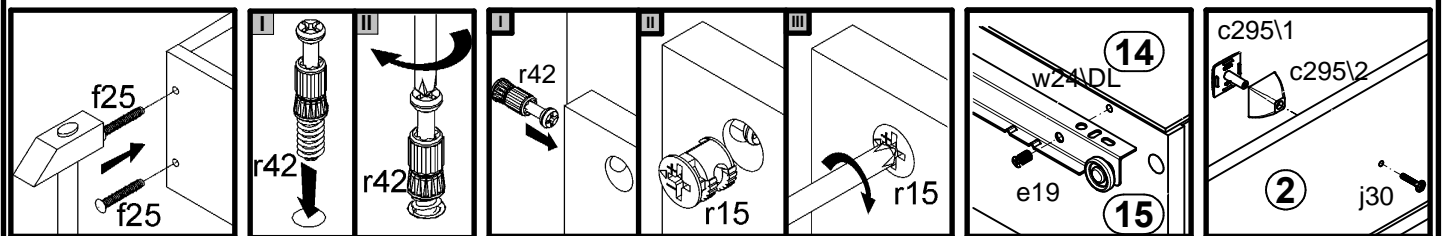
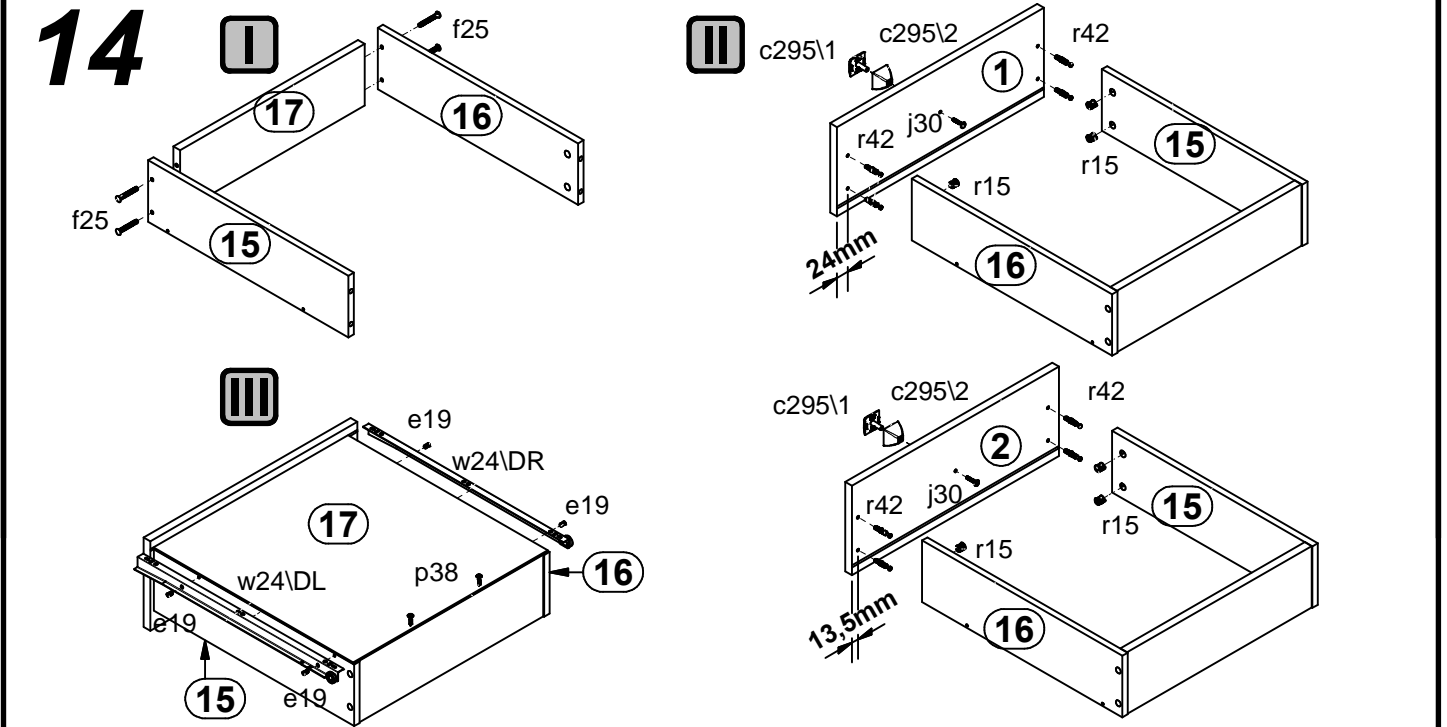




# 13



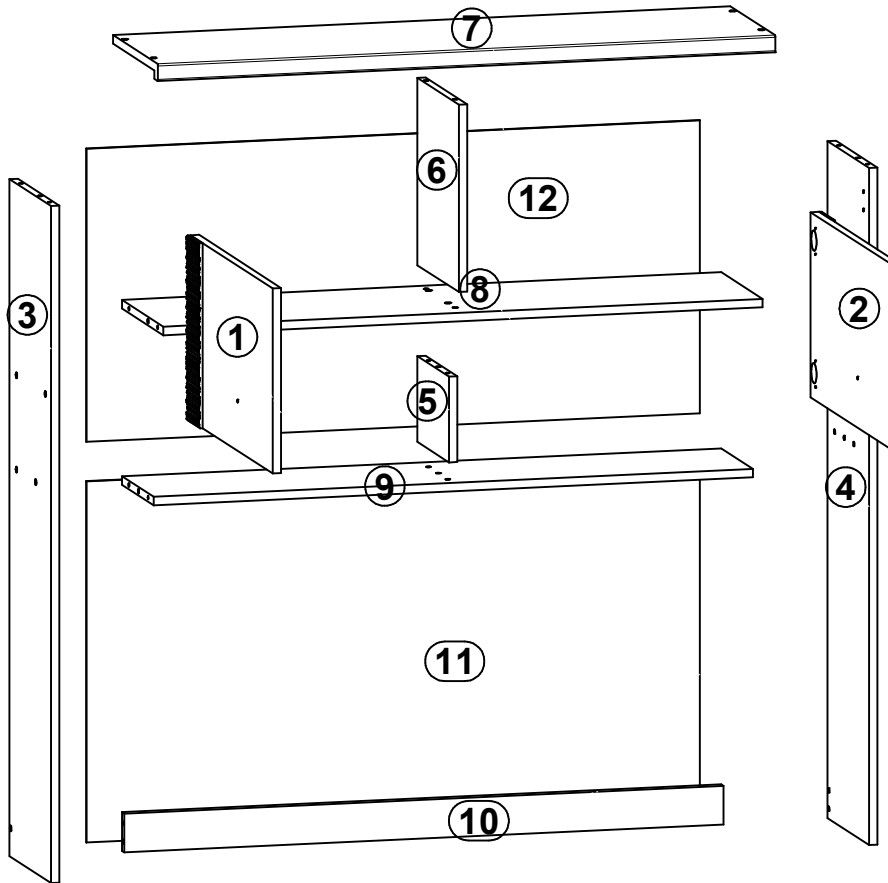
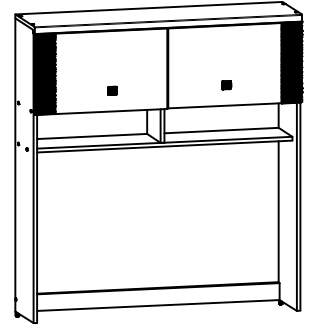
# 14



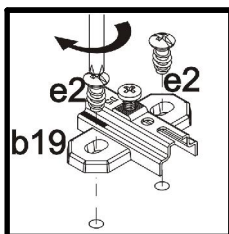
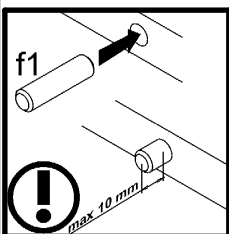
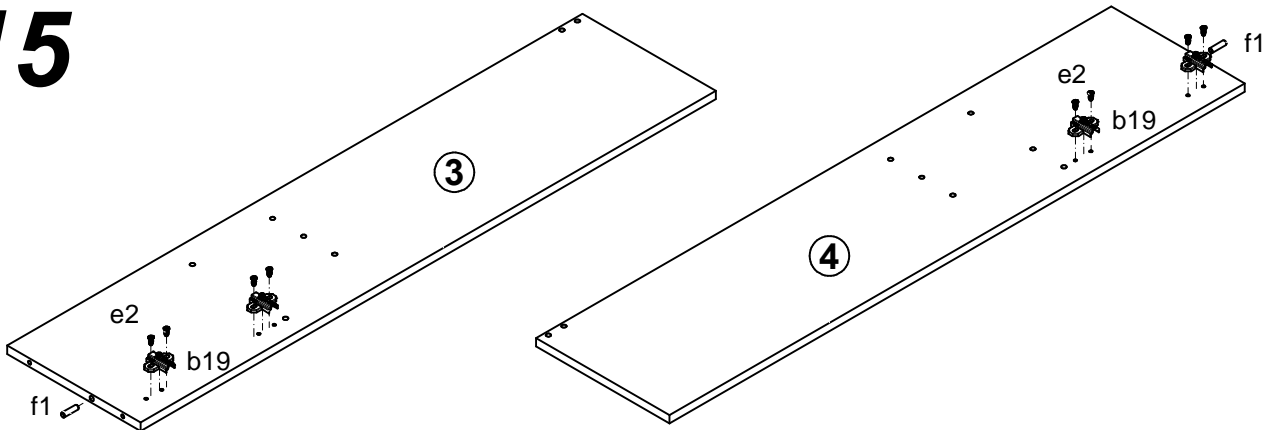


# M116-NAD2D

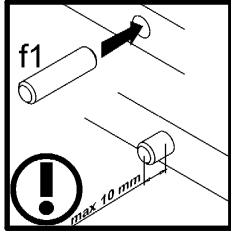
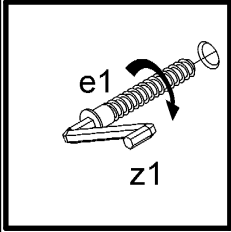
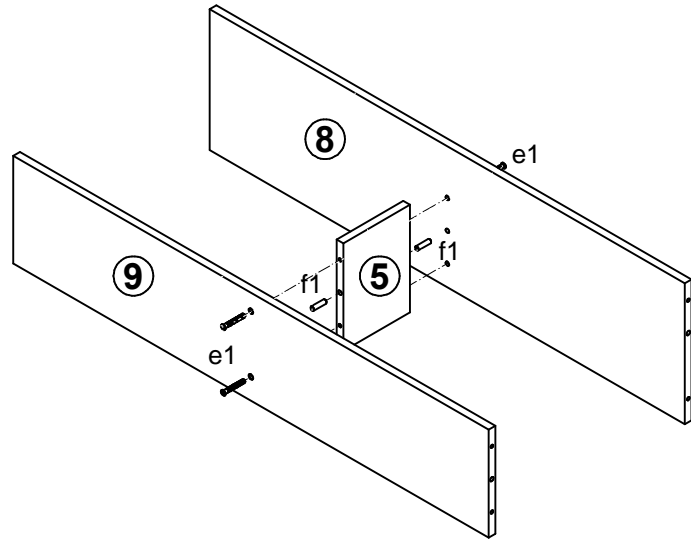
A	B	C		D	A	B	C		D
1	M116-004	324	545	8/9	7	M116-205	1100	300	2/9
2	M116-010	324	545	8/9	8	M116-303	1068	275	2/9
3	M116-109	1185	275	2/9	9	M116-304	1068	210	2/9
4	M116-110	1185	275	2/9	10	M116-401	1068	68	2/9
5	M116-111	150	210	3/9	11	M116-904	632	1093	5/9
6	M116-115	328	275	1/9	12	M116-905	513	1093	5/9



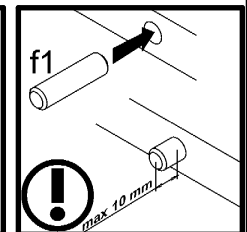
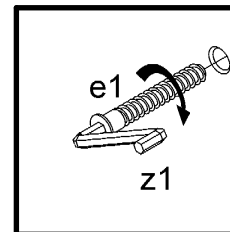
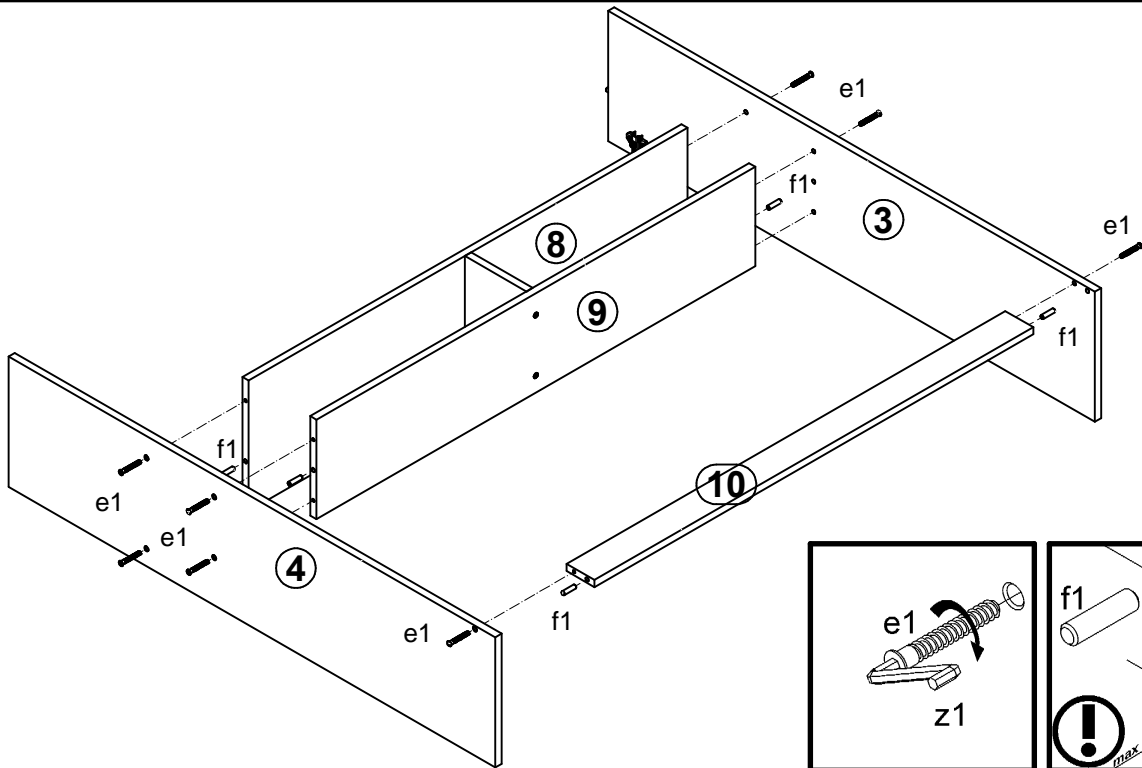
## 15



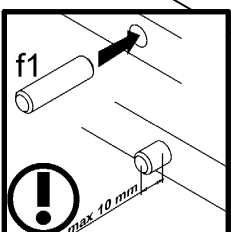
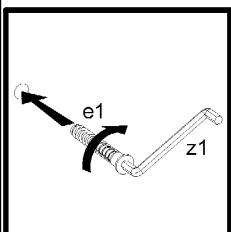
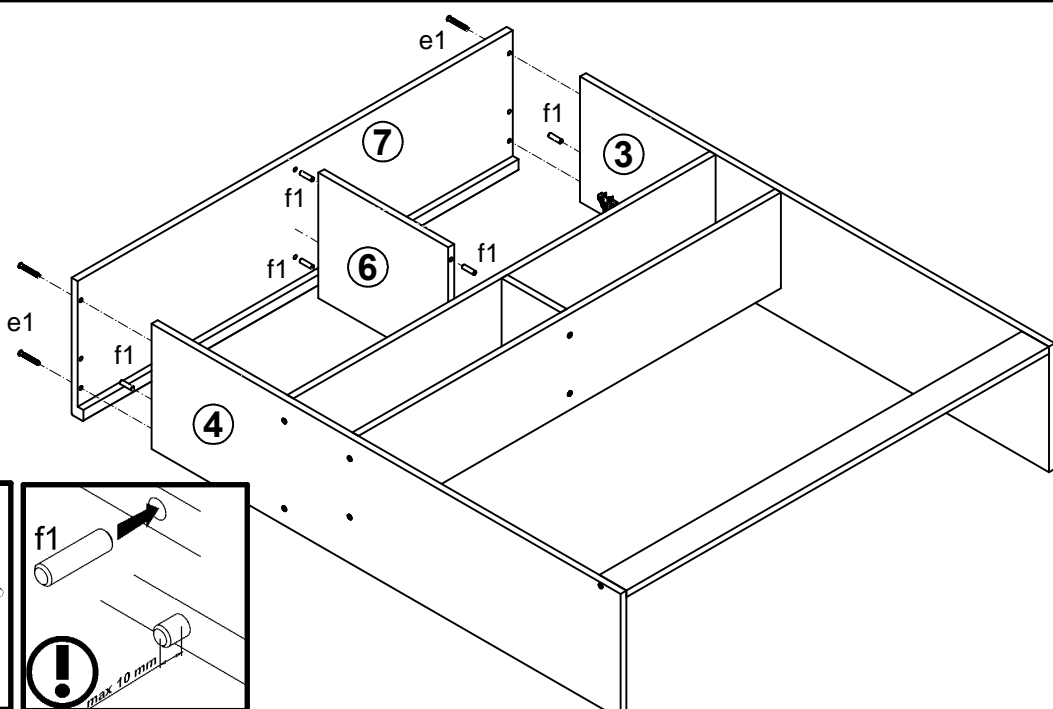
# 16



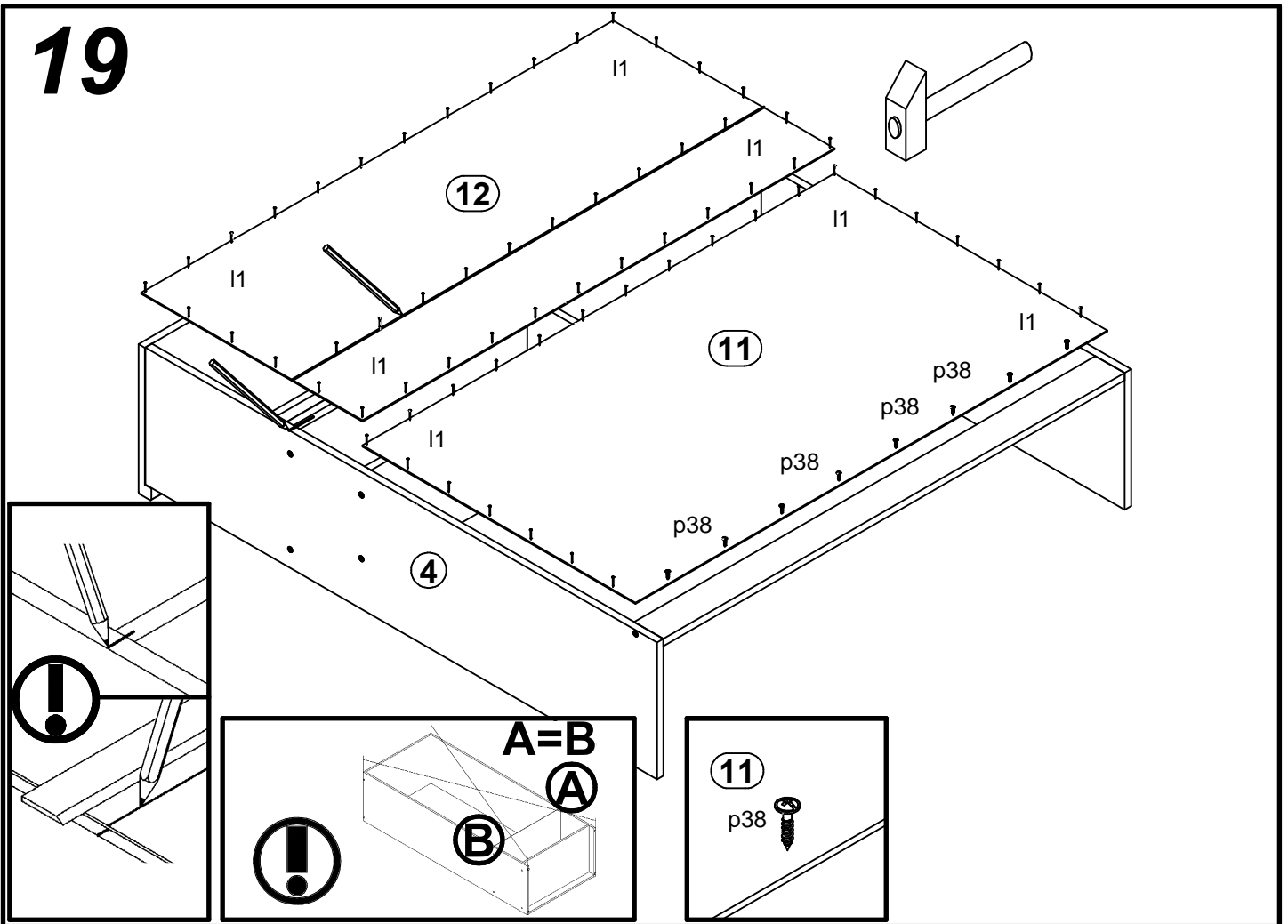
# 17



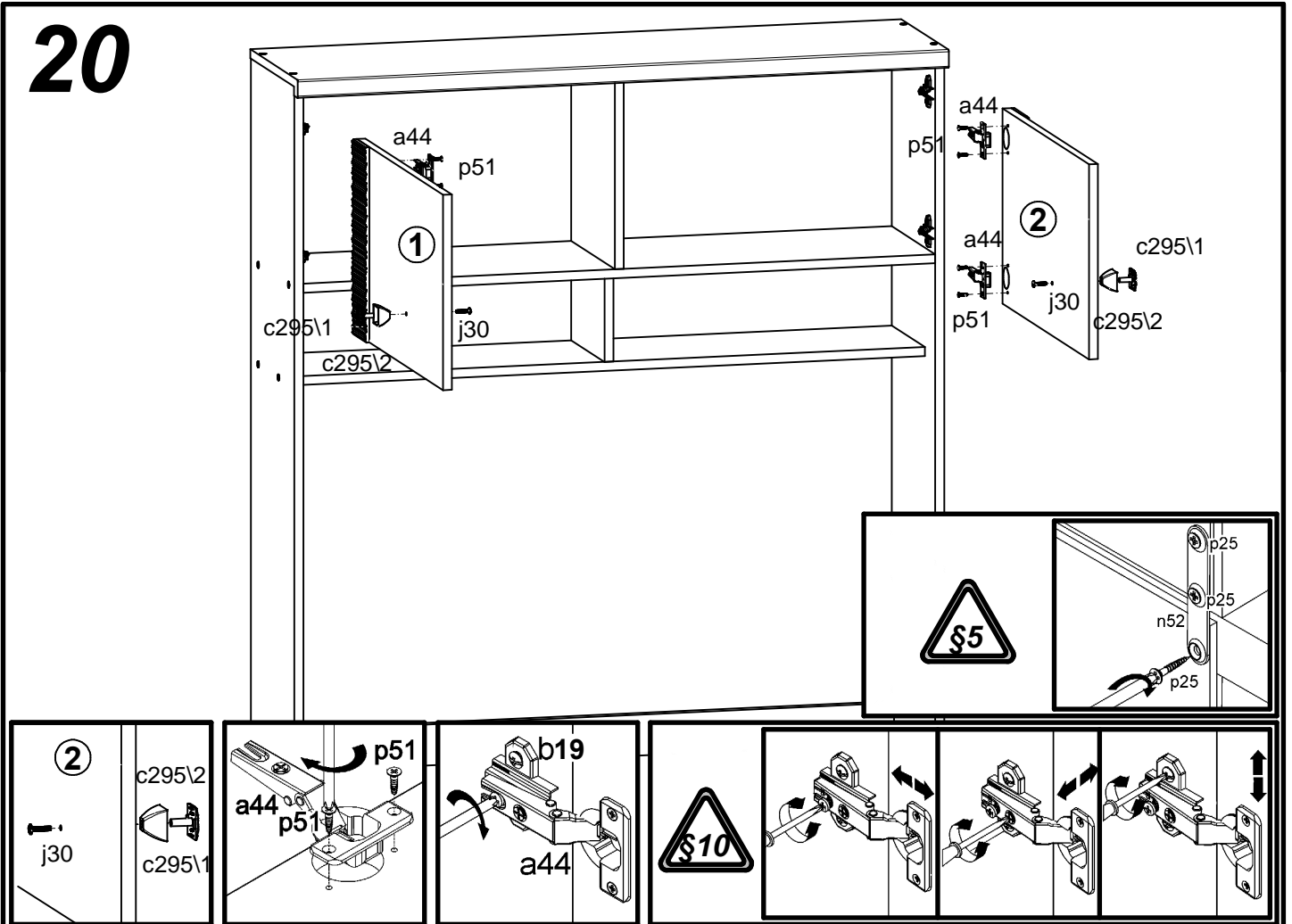
# 18



# 19



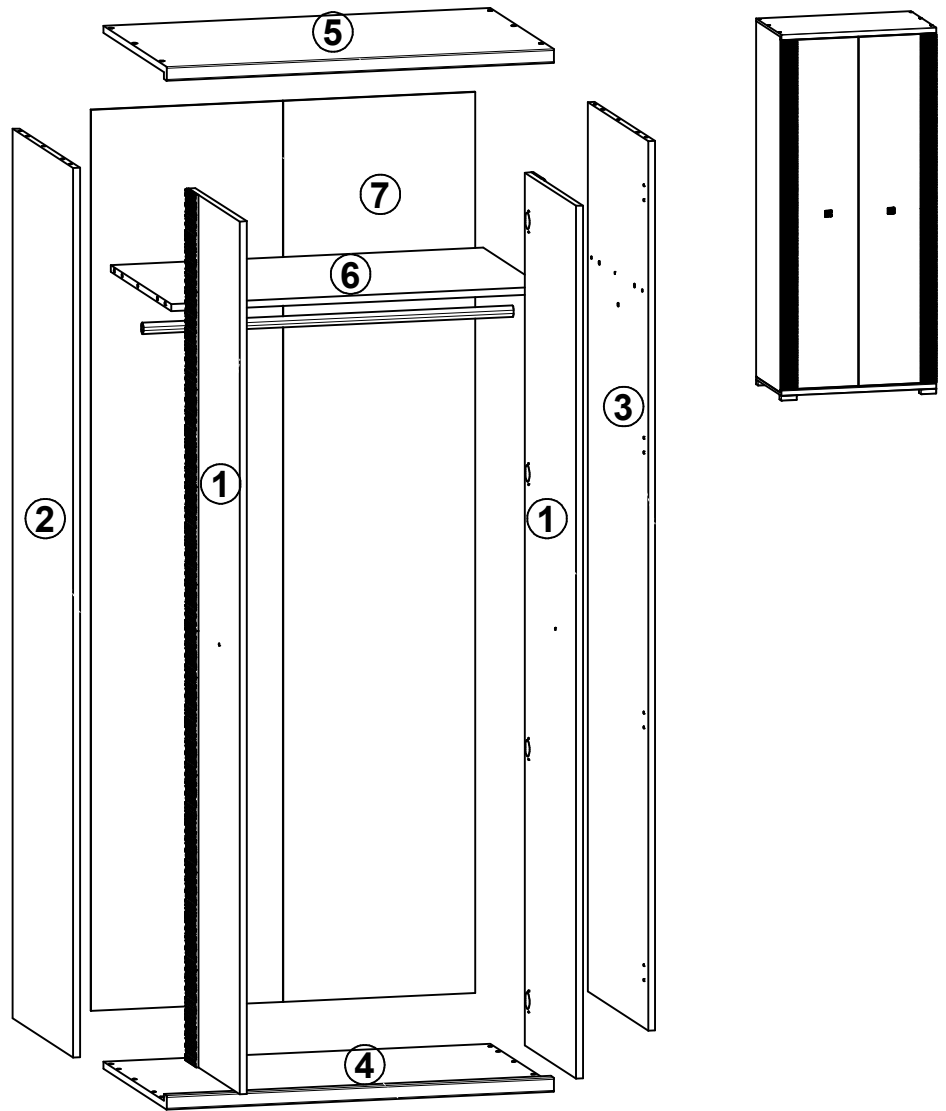
# 20



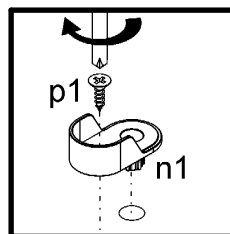
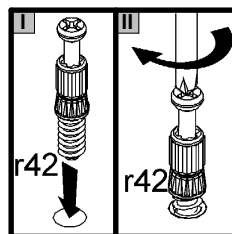
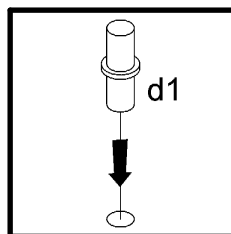
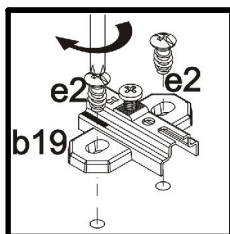
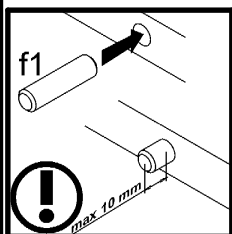
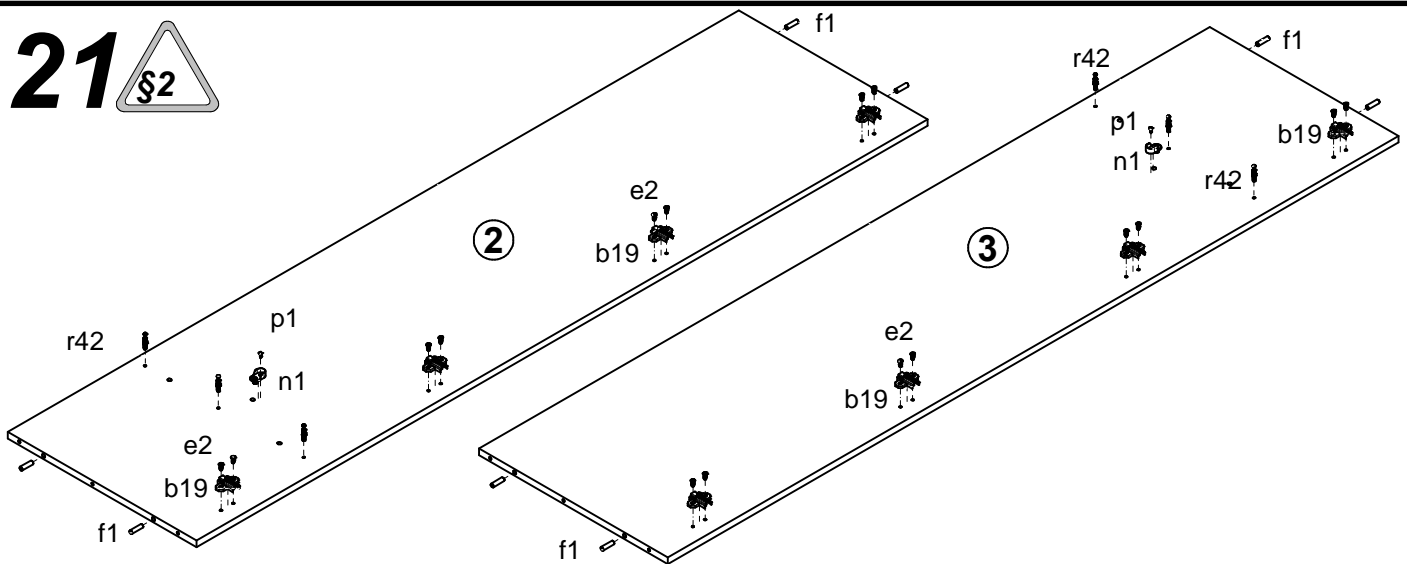
# IV

# M116-SZF2D

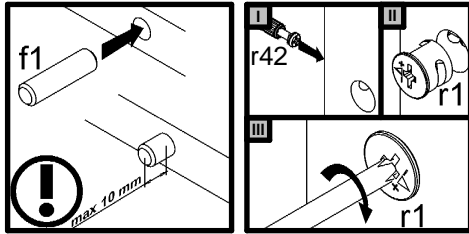
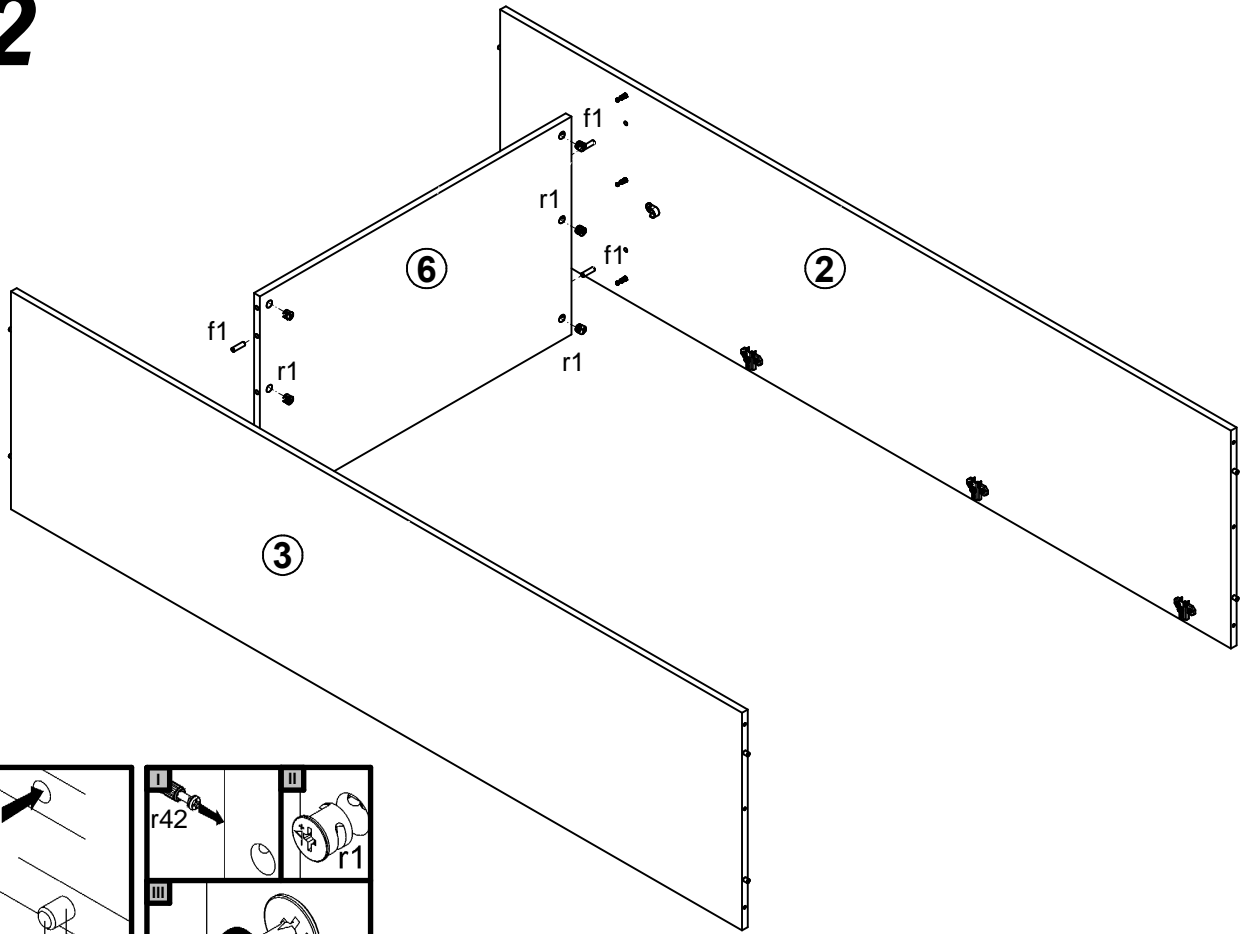
A	B	C	D
1	M116-001	1880	420
2	M116-101	1916	495
3	M116-102	1916	495
4	M116-201	849	520
5	M116-202	849	520
6	M116-301	817	495
7	M116-901	1941	843
8	dr-812	812	22



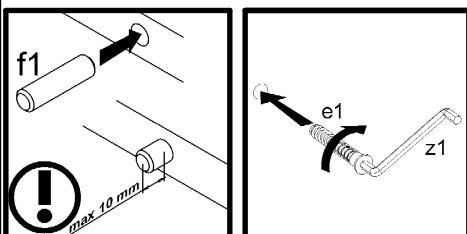
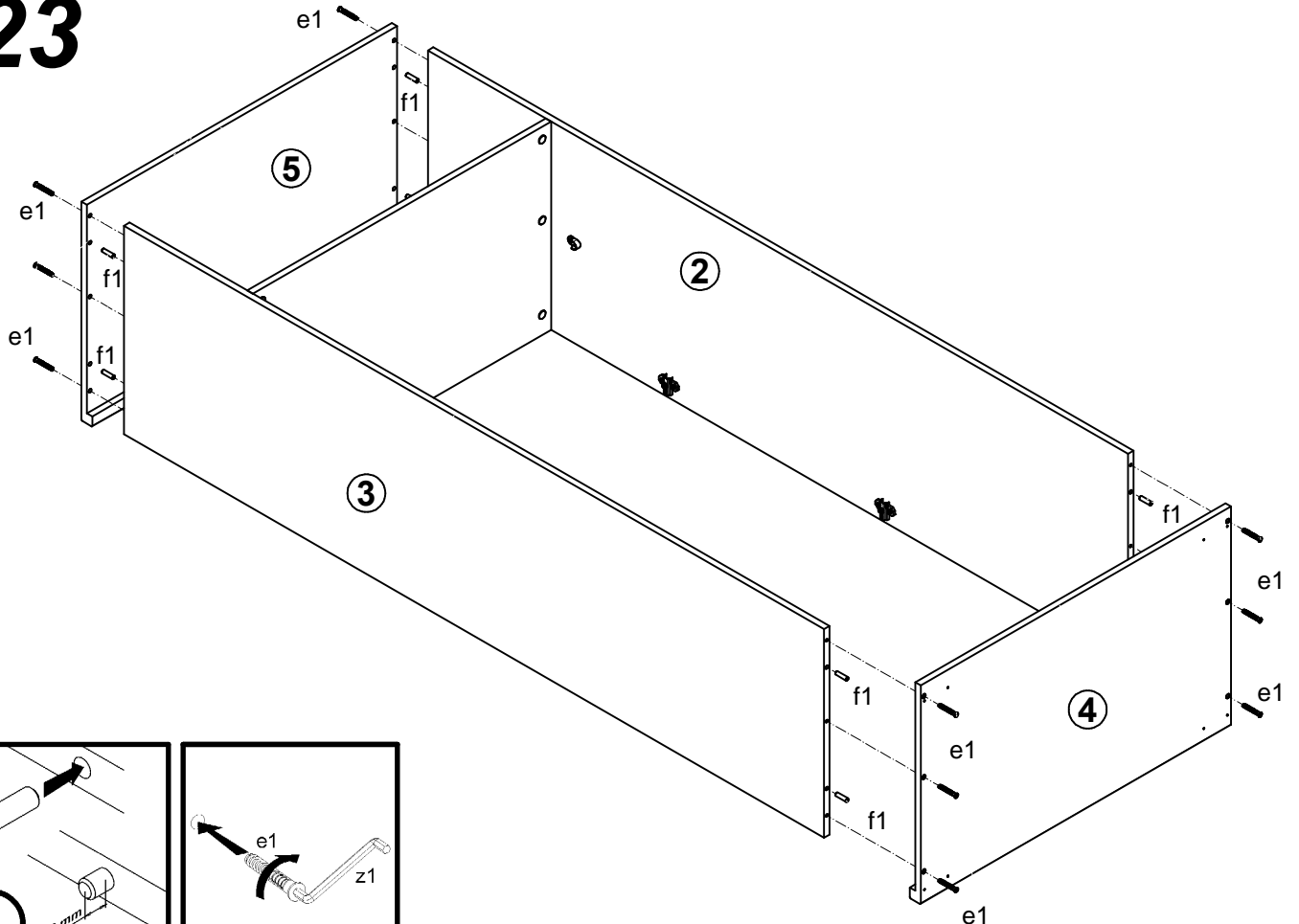
**21**



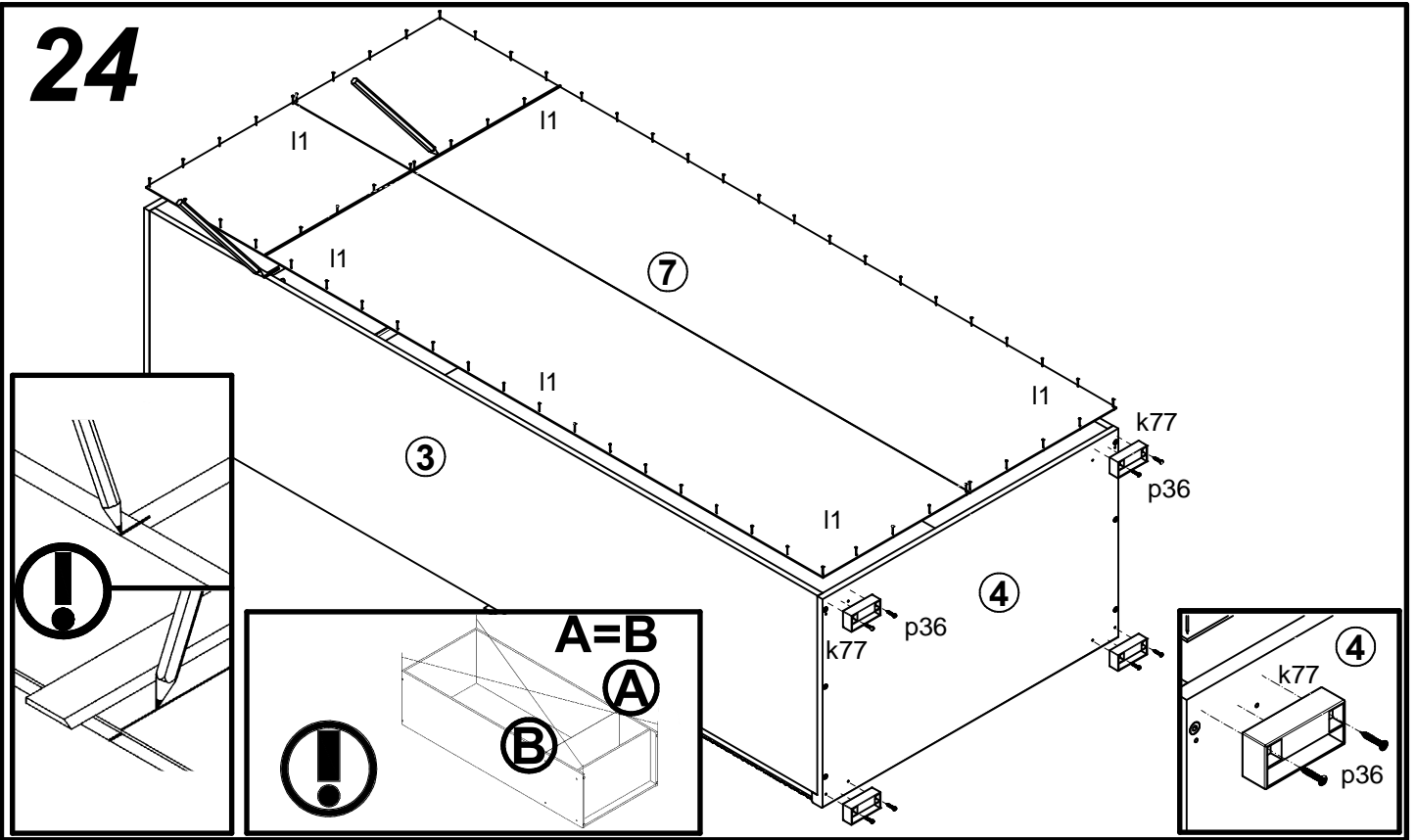
# 22



# 23



# 24



# 25

