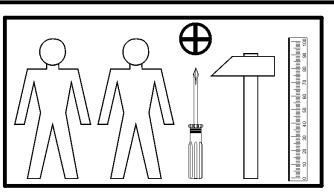
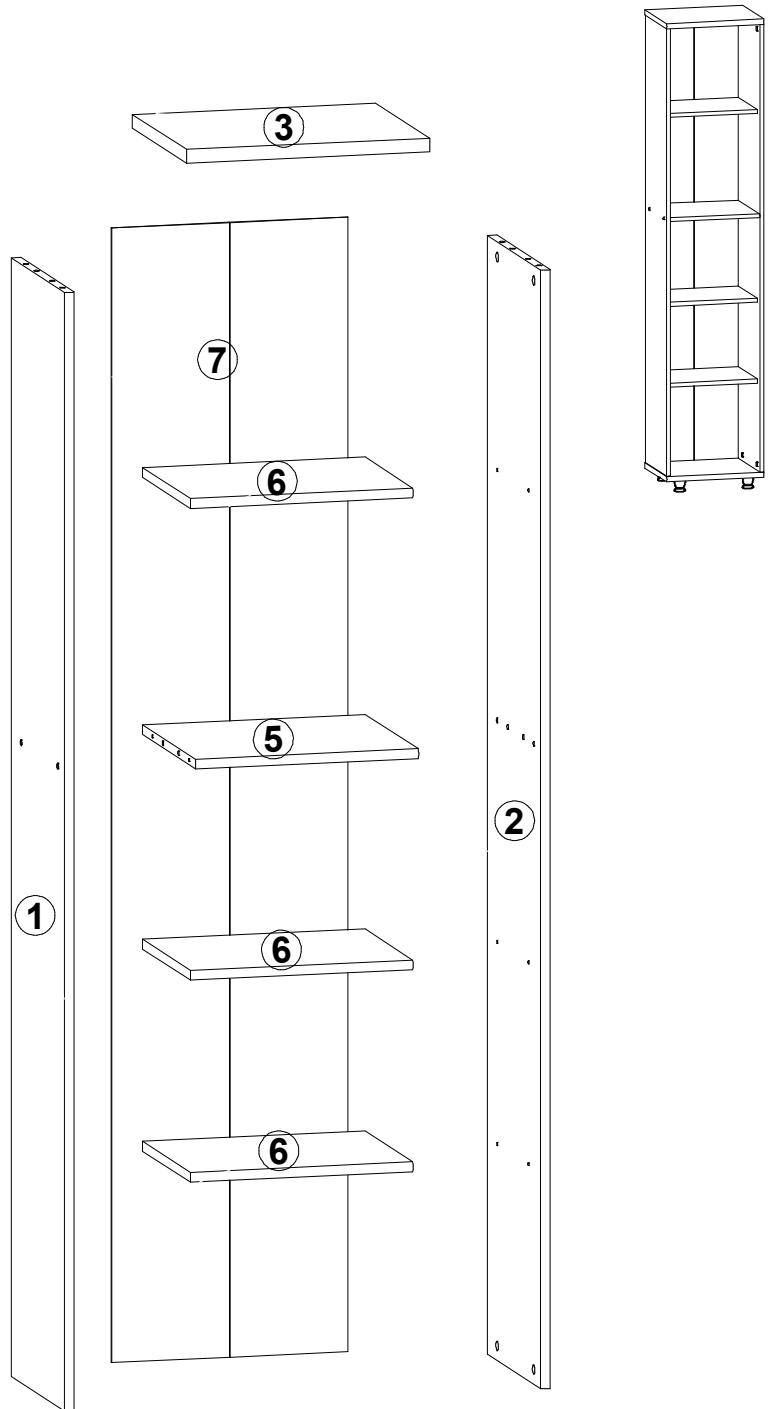


A	B	C		D
1	SY1-119	1806	330	1/1
2	SY1-120	1806	330	1/1
3	SY1-240	400	334	1/1
4	SY1-241	400	334	1/1
5	SY1-361	367	327	1/1
6	SY1-362	366	295	1/1
7	SY1-949A	1832	389	1/1



12x $\phi 5 \times 17$ mm <b>d1</b>	4x $\phi 7 \times 50$ mm <b>e1</b>	12x $\phi 8 \times 30$ mm <b>f1</b>	60x <b>l1</b>	8x $\phi 15 \times 12$ mm #16 <b>r1</b>	8x <b>r16</b>	4x <b>s1</b>	8x $\phi 16$ <b>s2</b>	1x <b>n26\1</b>
1x $\phi 3,5 \times 16$ mm <b>p38</b>	1x <b>z1</b>							

