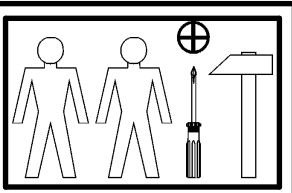
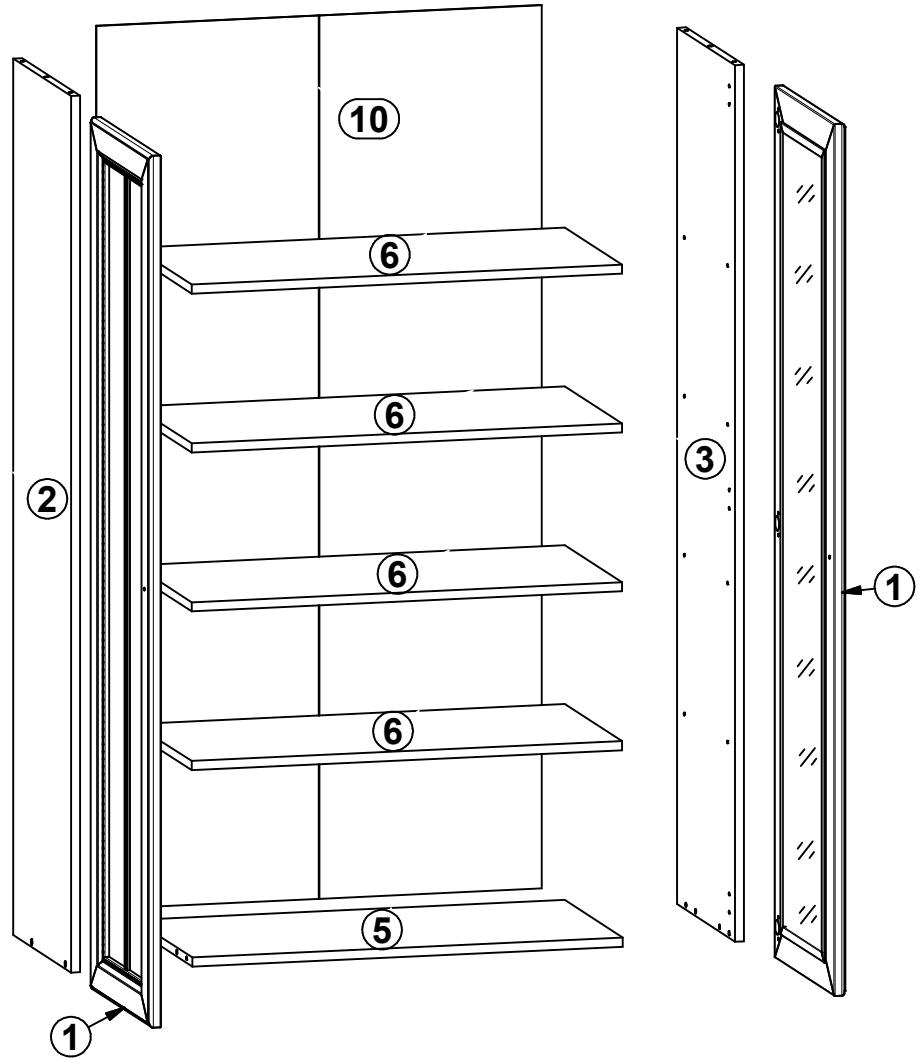
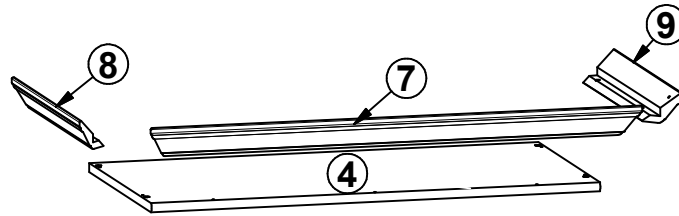
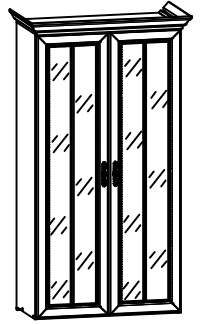


WIKTOR

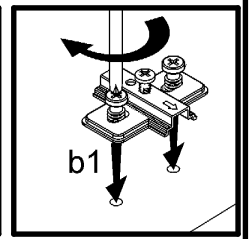
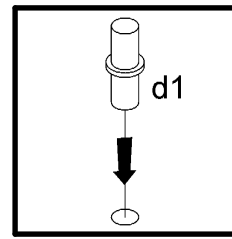
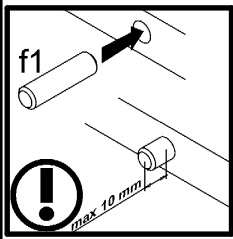
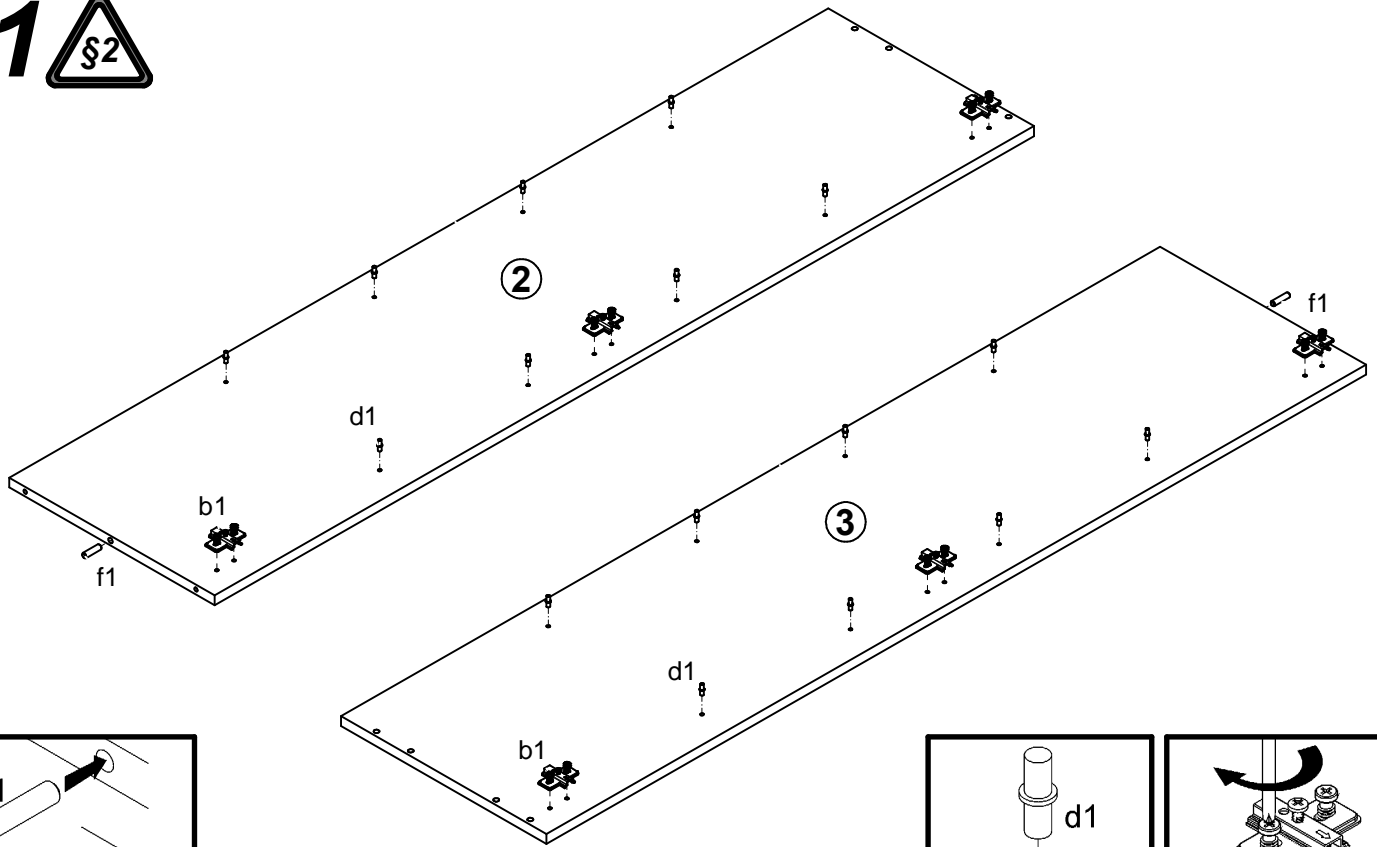
S15-WITRYNA

A	B	C	D
1	WS1-007	1526	395 3/3
2	WS1-115	1534	385 1/3
3	WS1-116	1534	385 1/3
4	WS1-206	800	414 2/3
5	WS1-309	767	385 2/3
6	WS1-310	767	380 2/3
7	WS1-574	876	79 2/3
8	WS1-575	451	79 2/3
9	WS1-576	451	79 2/3
10	WS1-9902	1546	793 1/3

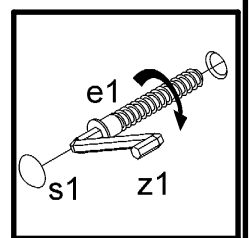
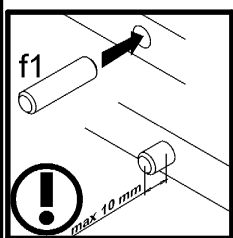
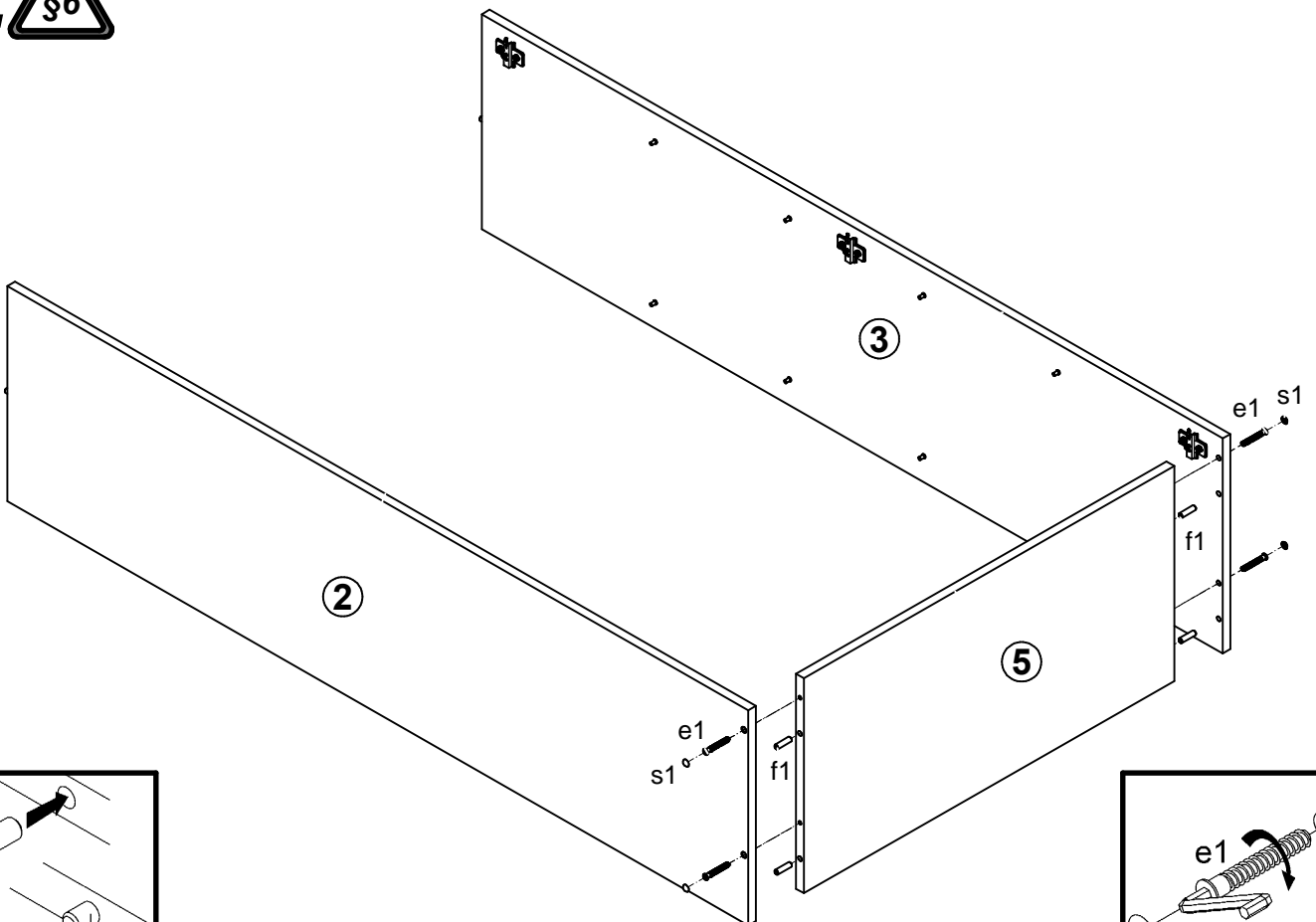


6x a2	6x b1	2x c69	16x φ5x17 mm d1	8x φ7x50 mm e1	6x φ8x30 mm f1	2x M4x33 mm j20	50x 26x26x16/1 - 125° l1	2x n40
2x 62x12/1mm n52	6x φ3,5x16 mm p25	7x φ4x20 mm p39	4x φ3x7 mm p46	4x s1	1x z1	1x n26/1	1x φ3,5x16 mm p38	

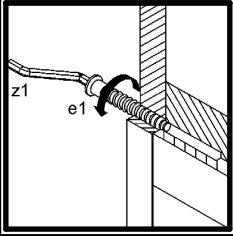
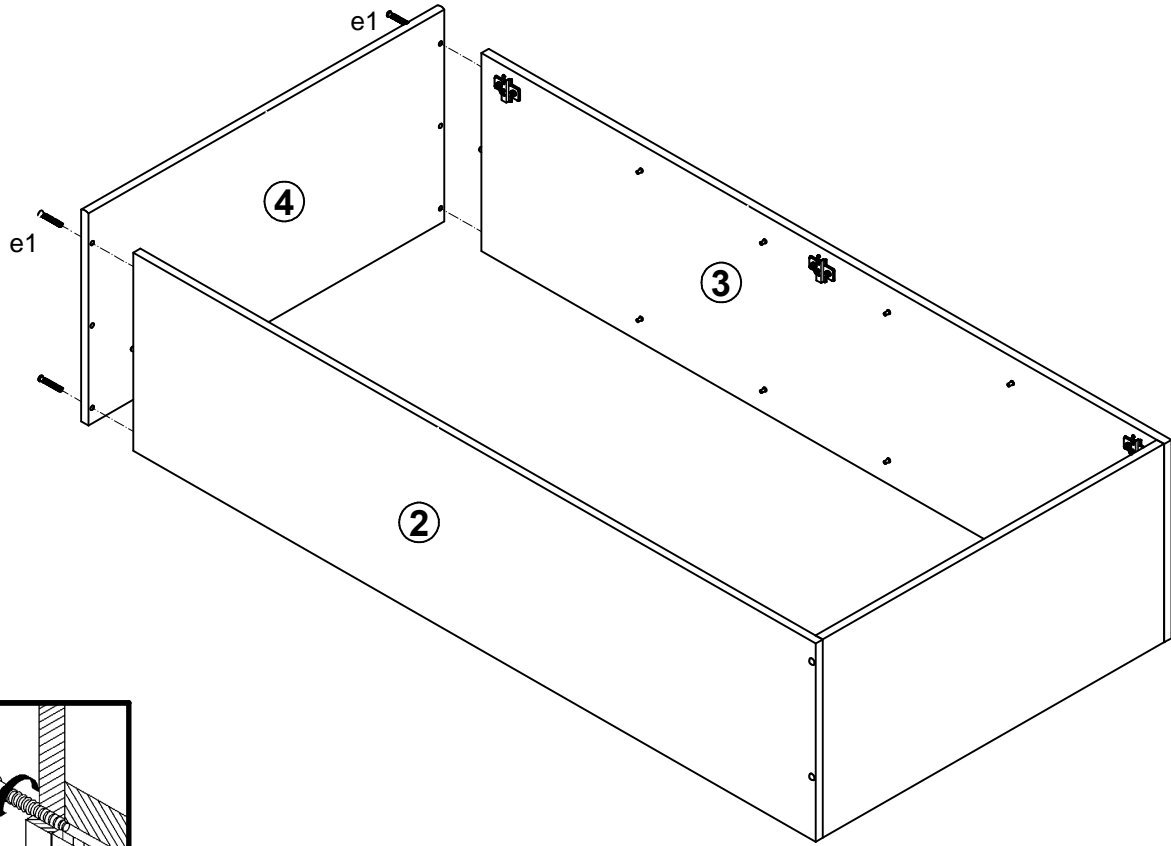
1 



2 



3



4

