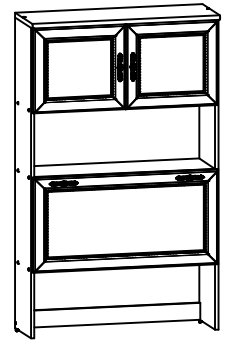
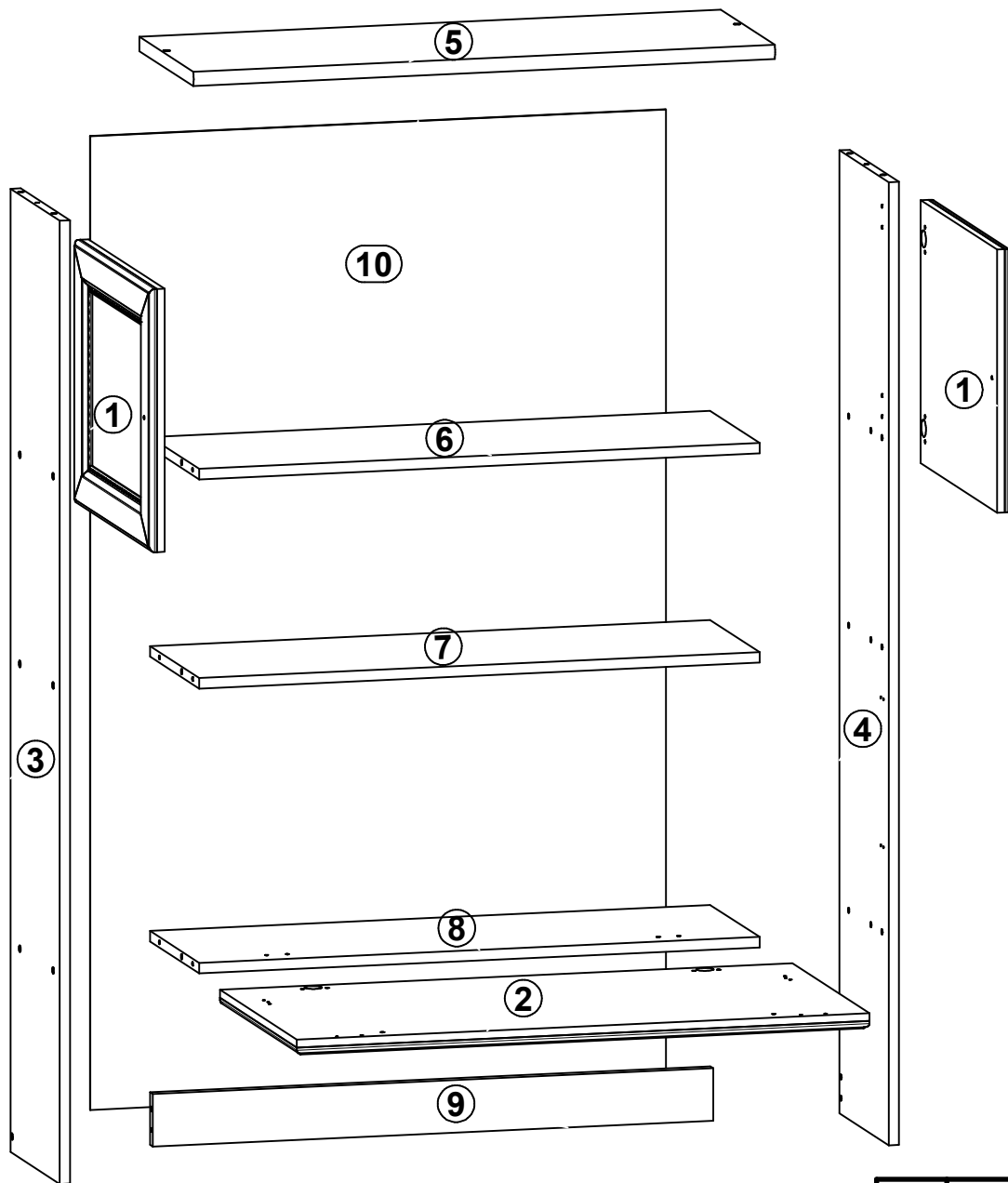
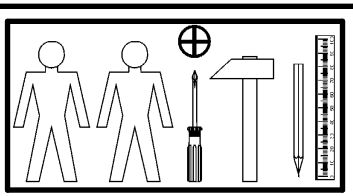


# WIKTOR

# S15-BAREK

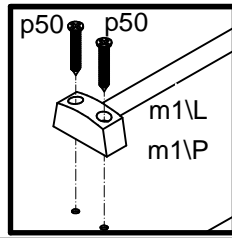
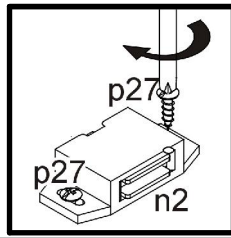
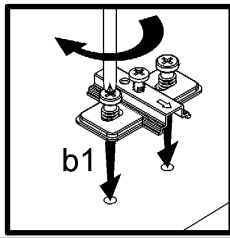
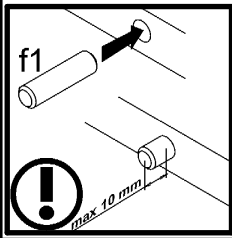
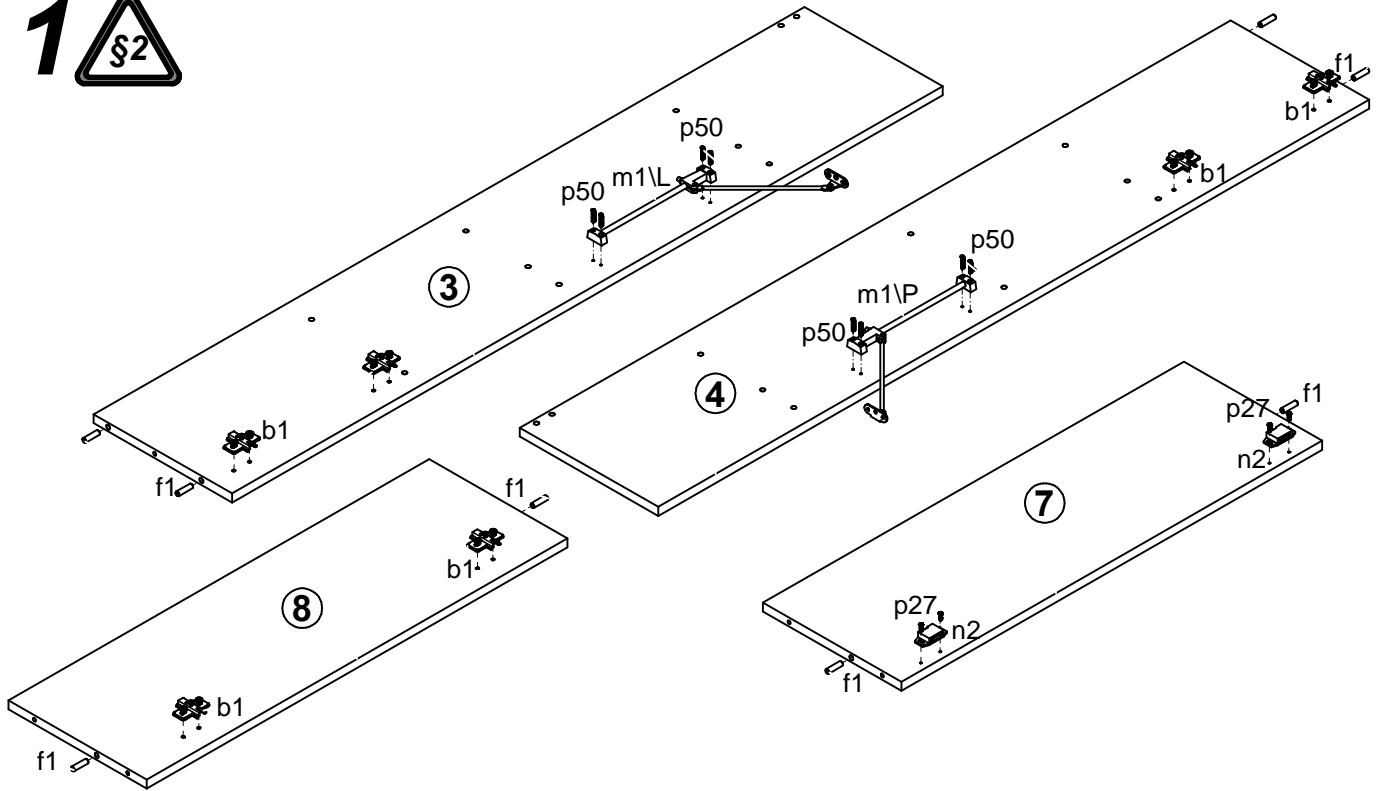


A	B	C	D
1	WS1-004	400	441 4/5
2	WS1-006	886	445 5/5
3	WS1-109	1464	285 1/5
4	WS1-110	1464	285 1/5
5	WS1-205	900	314 2/5
6	WS1-305	867	285 2/5
7	WS1-306	867	285 2/5
8	WS1-307	867	285 2/5
9	WS1-404	867	80 2/5
10	WS1-905/A	1480	891 3/5

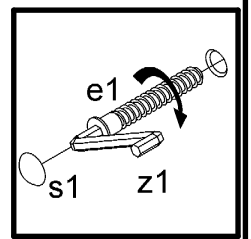
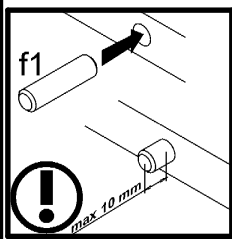
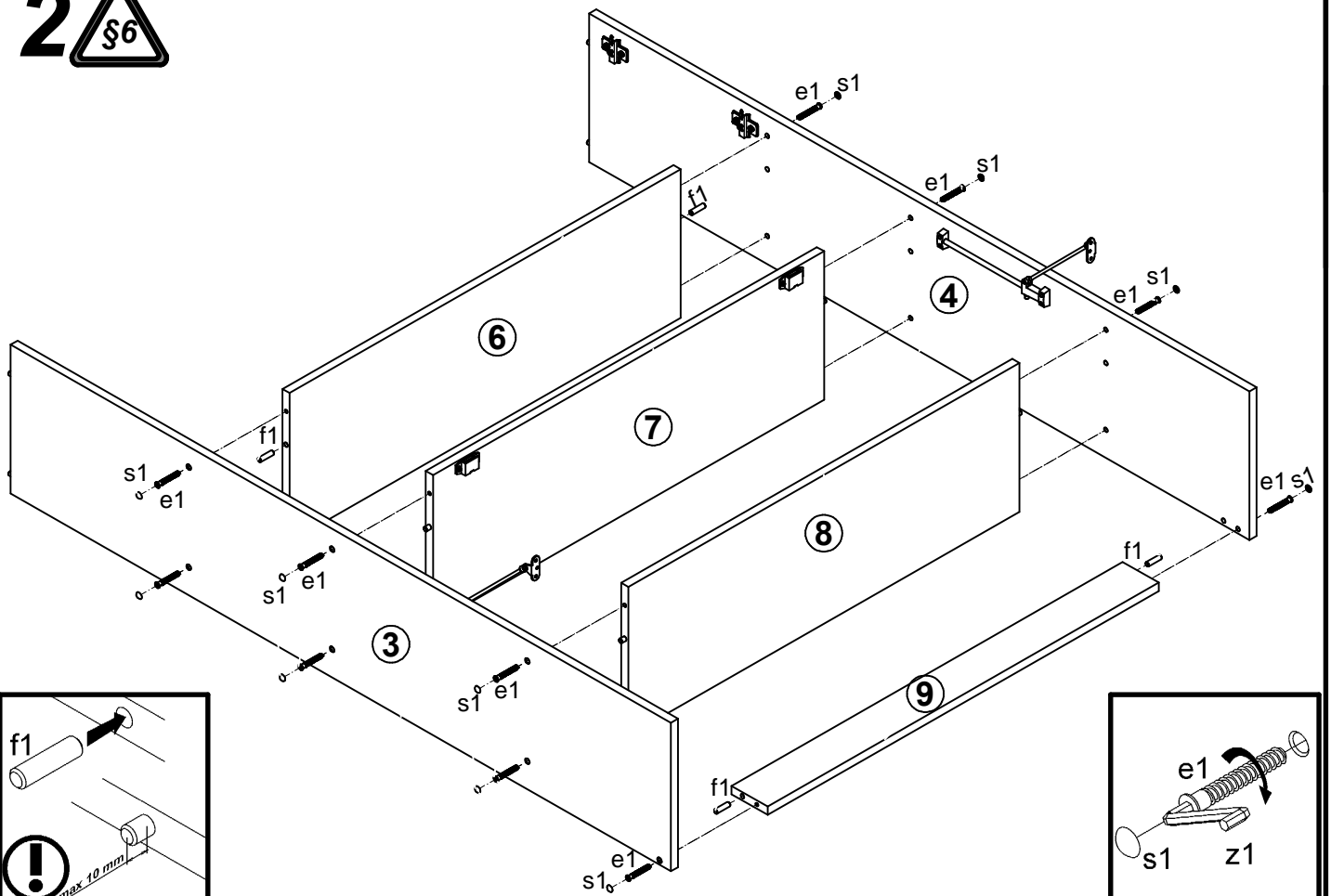


6x  a2	6x  b1	4x  c69	16x  e1 φ7x50 mm	12x  f1 φ8x30 mm	4x  j20 M4x33 mm	65x  l1	1x  m1L	1x  m1P
2x  n2	2x  n3 50x120x1.5 mm	2x  n52 62x12/1mm	6x  p1 φ3.5x13 mm	4x  p15 φ2.5x13 mm	6x  p25 φ3.5x16 mm	4x  p27 φ3.5x13 mm	6x  p38 φ3.5x16 mm	8x  p50 φ2.9x24 mm
16x  s1	1x  z1		1x  n26\1	1x  p38 φ3.5x16 mm				

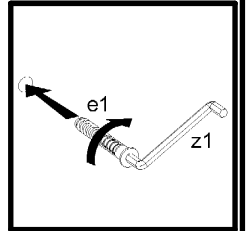
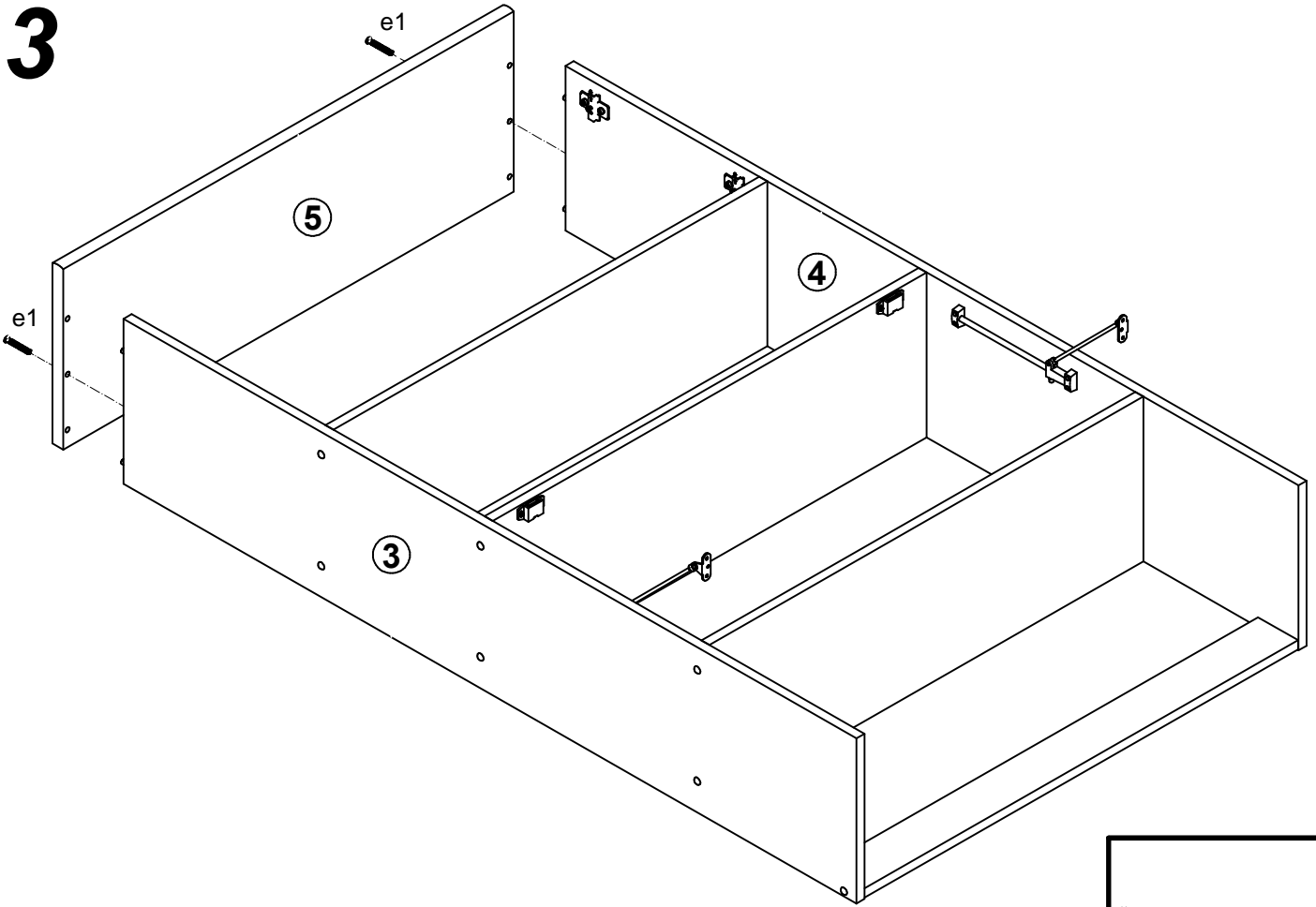
# 1



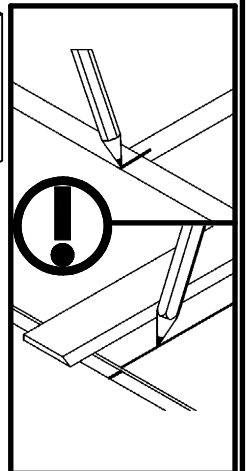
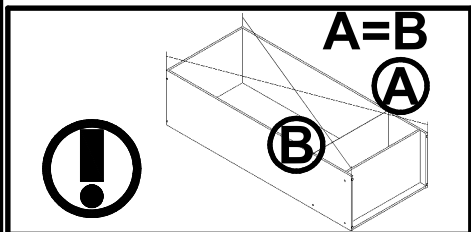
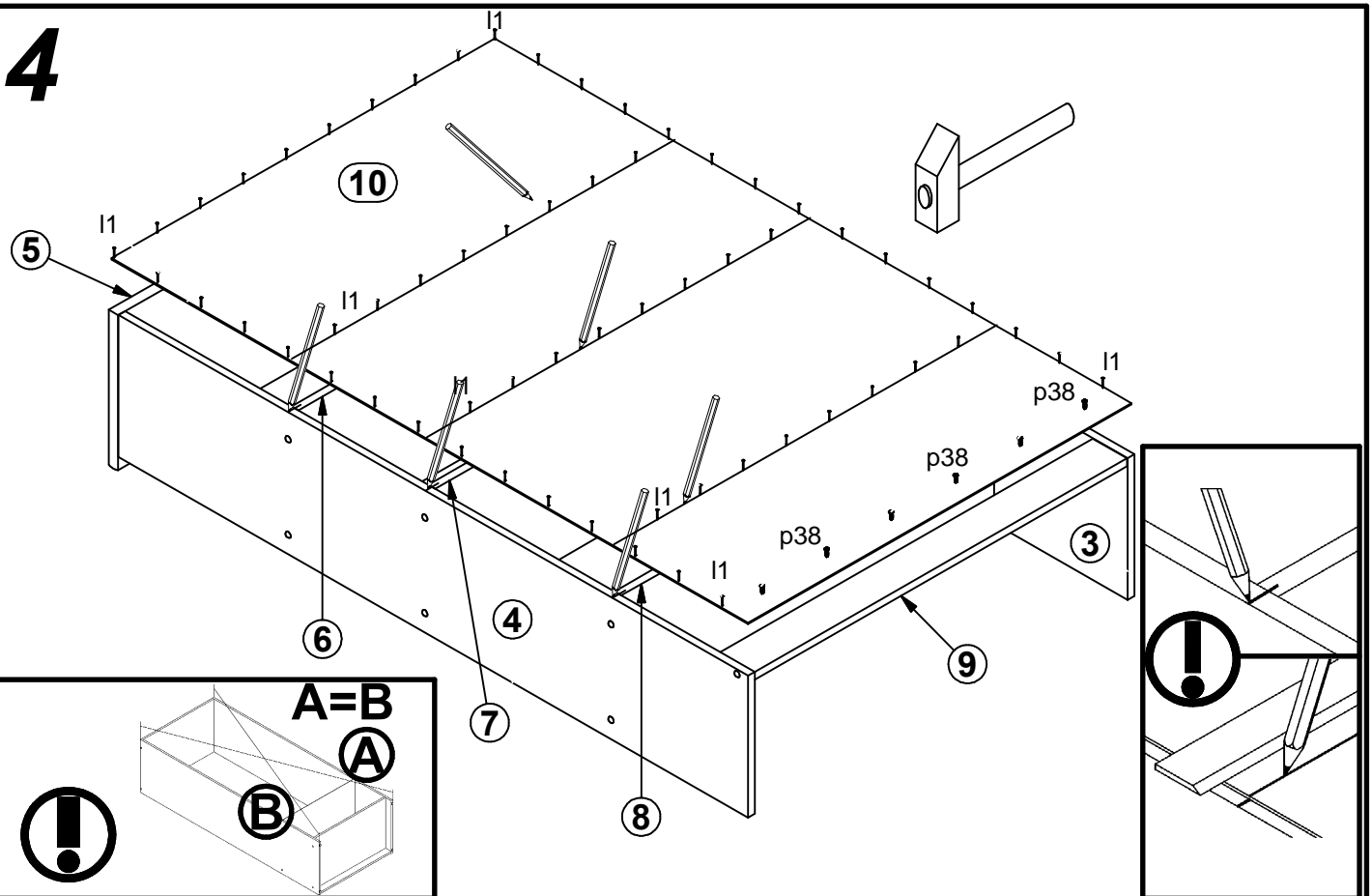
# 2



# 3



# 4



# 5

