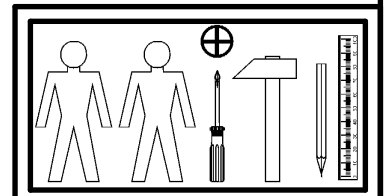
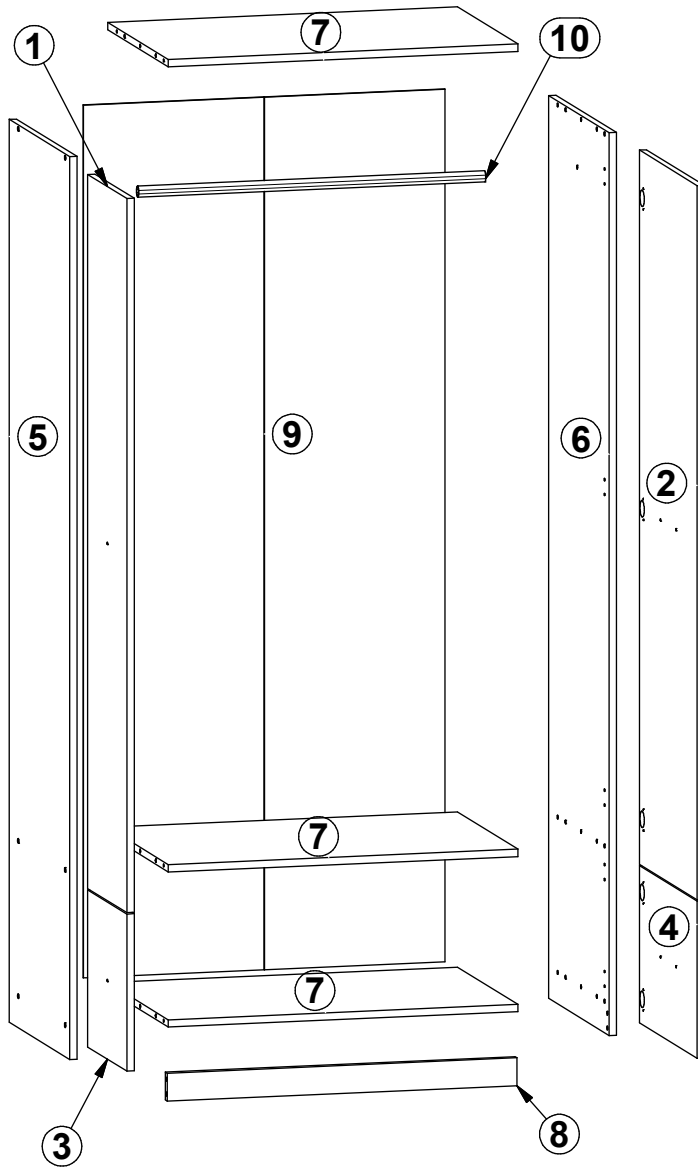
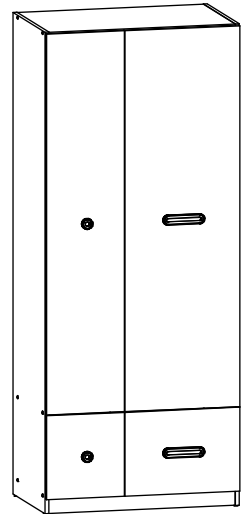


TWIST

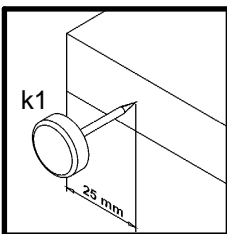
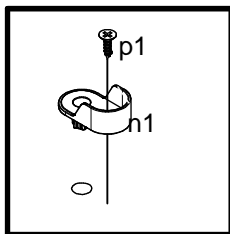
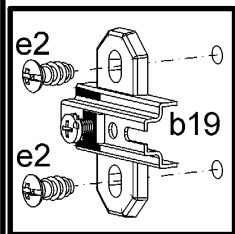
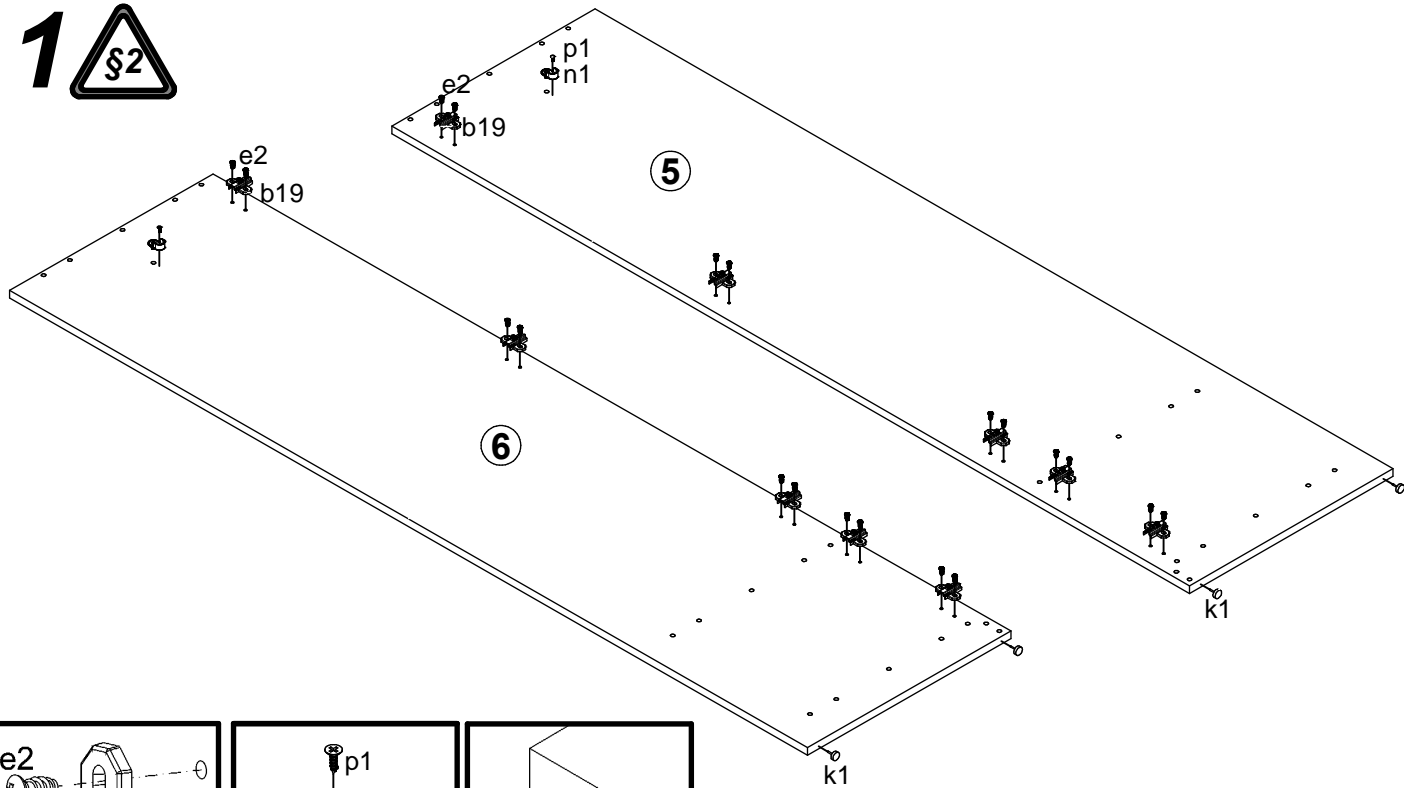
SZAFA

A	B	C	D
1	S49-003	1536	320
2	S49-004	1536	472
3	S49-005	338	320
4	S49-006	338	472
5	S49-104	1942	495
6	S49-105	1942	495
7	S49-303	767	495
8	S49-406	767	60
9	S49-903	1877	793
10	dr-761	761	22

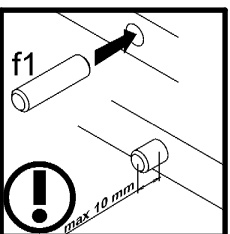
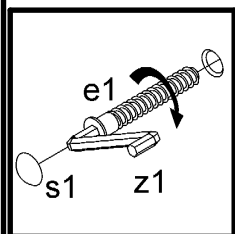
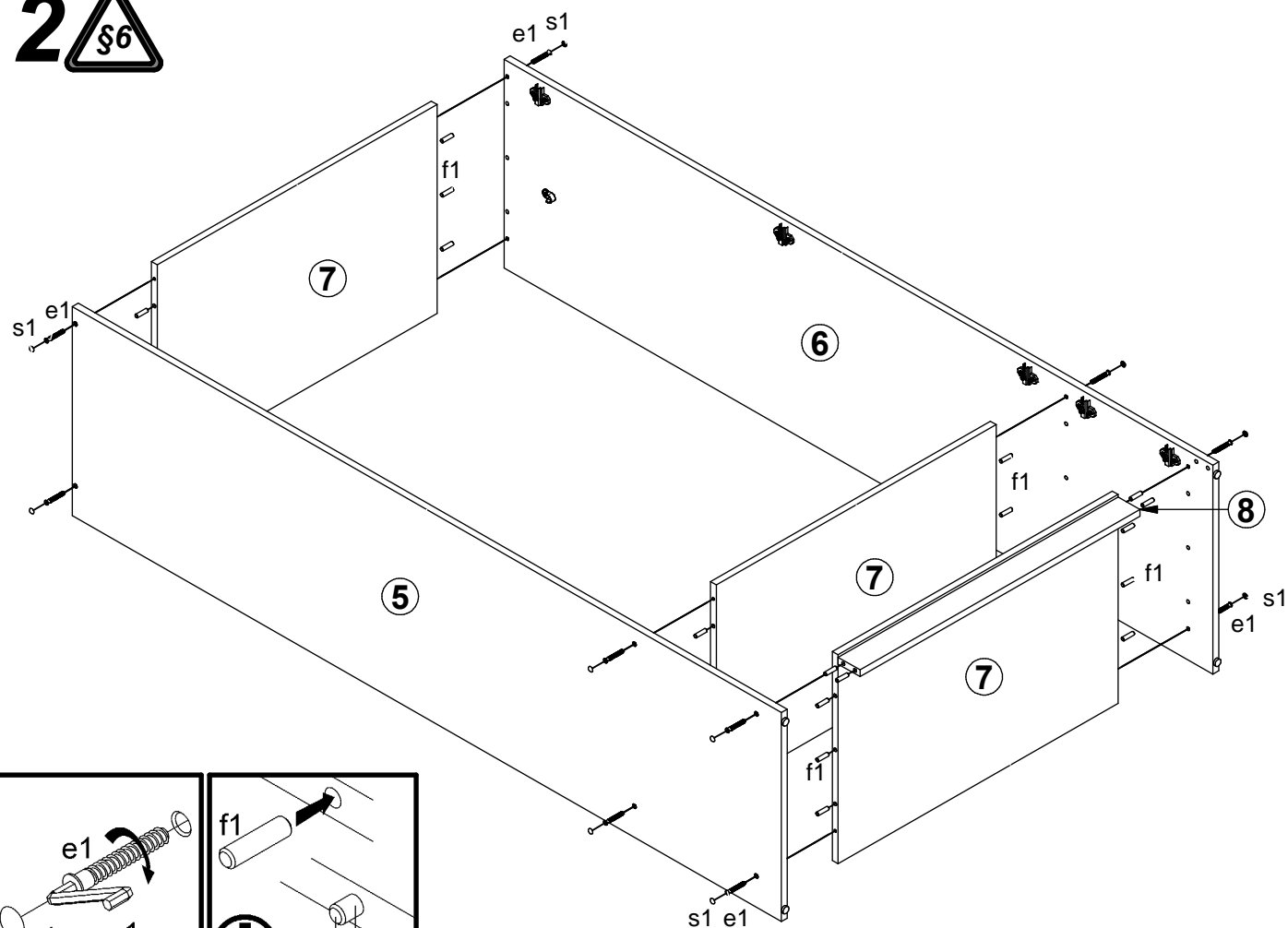


10x a44	10x b19	2x c176v1	2x c176v2	12x e1	20x e2	22x f1	4x k1	70x l1
2x n1	2x p1	20x p51	6x p9	12x s1	1x z1	1x n26v1	1x p38	4x j45v1
2x j45v2								

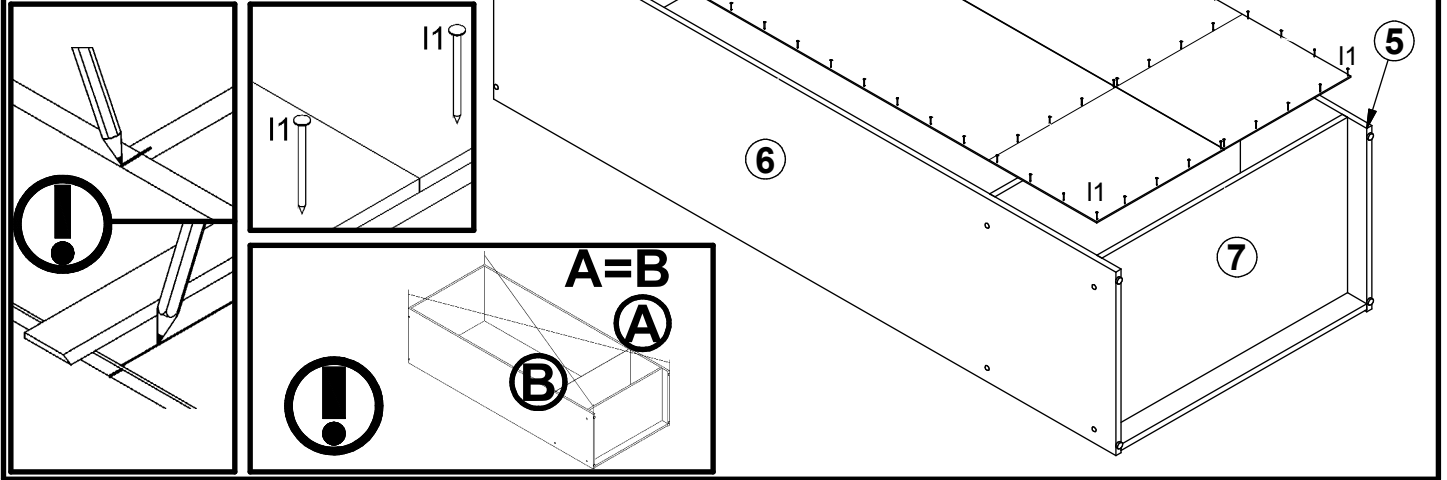
1 



2 



3



4

