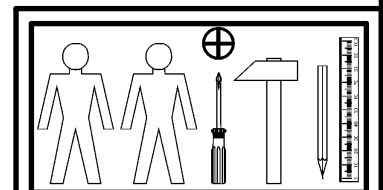
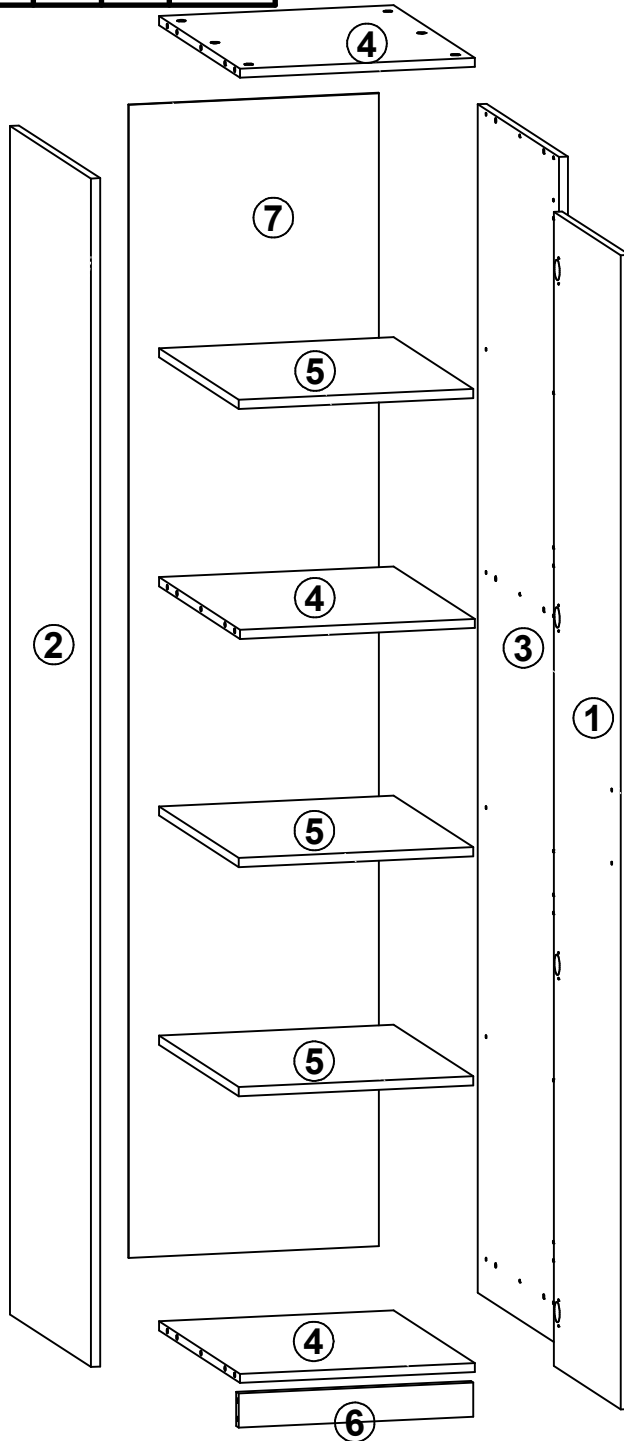
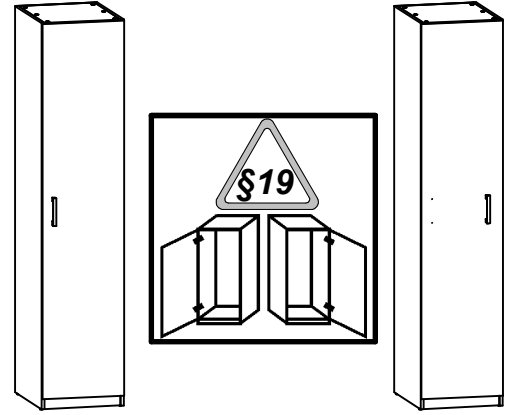


SYNTHIA

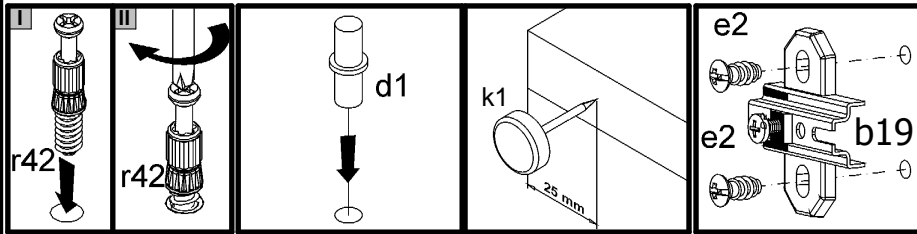
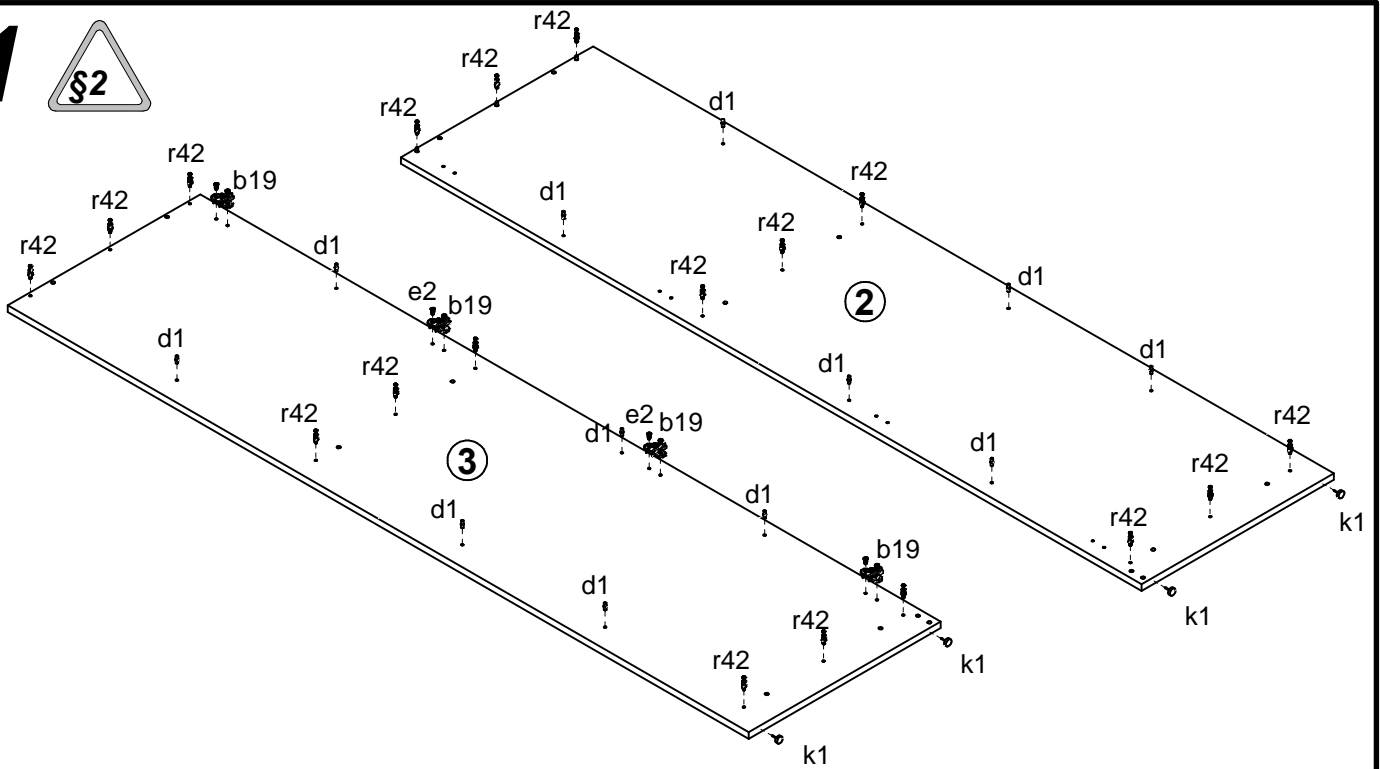
L16-SZF1D

A	B	C	D
1	L16-004	2020	446
2	LA1-101	2080	540
3	LA1-102	2080	540
4	LA1-301	418	540
5	LA1-302	418	530
6	LA1-401	418	60
7	LA1-901	2018	446

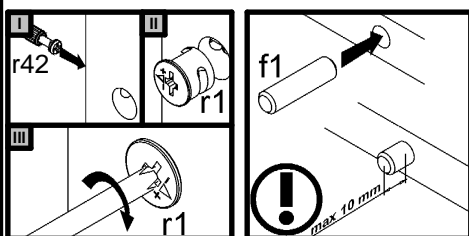
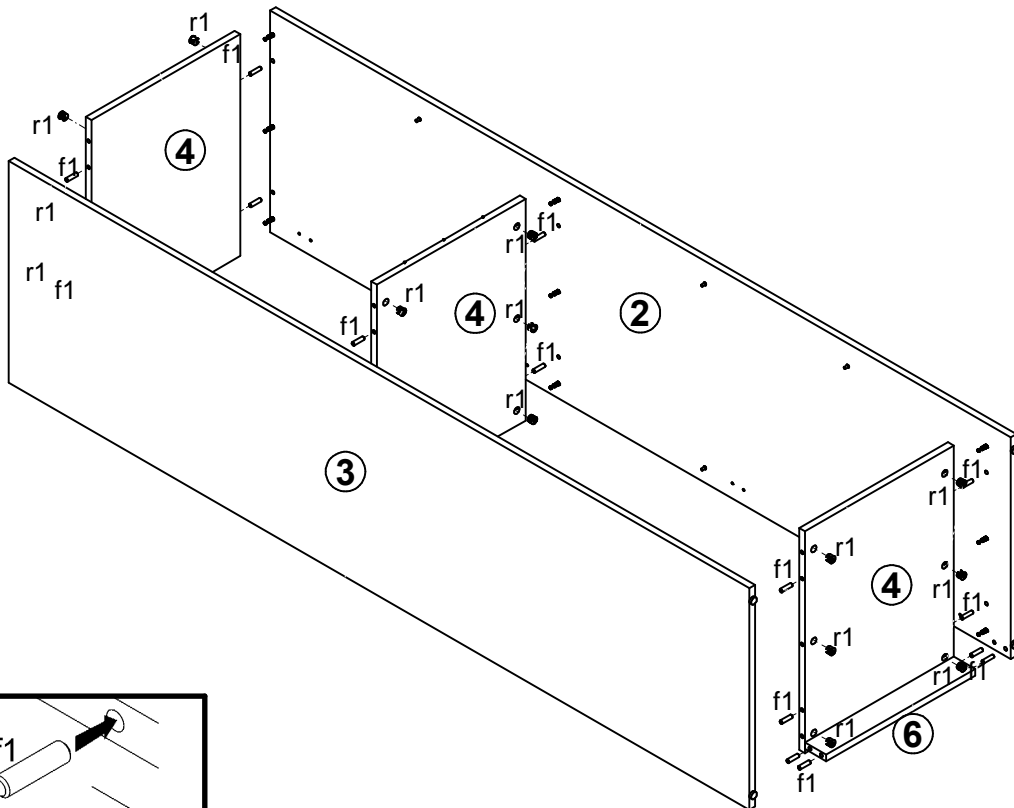


4x a44	4x b19	1x c197	12x d1	8x e2	16x f1	2x p60	4x k1	55x l1
8x p51	18x r1	18x r42	1x n26\1	1x p38	6x s2			

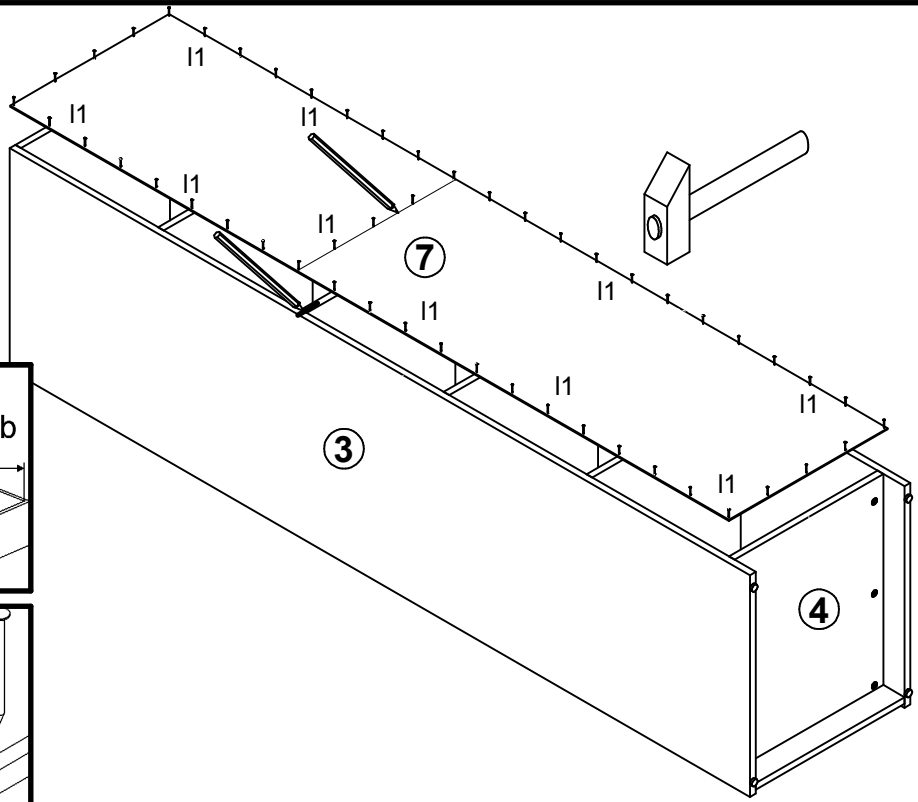
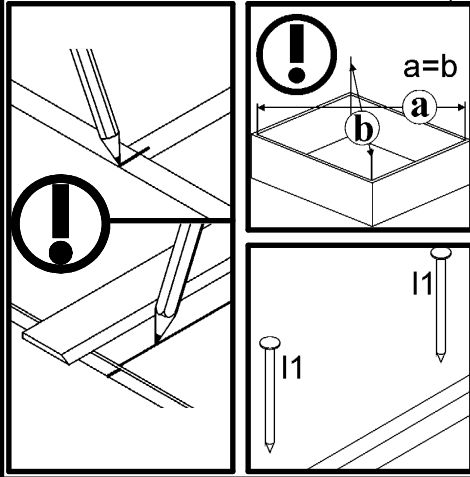
1



2



2



3

