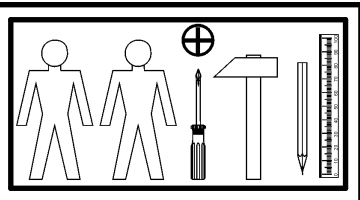
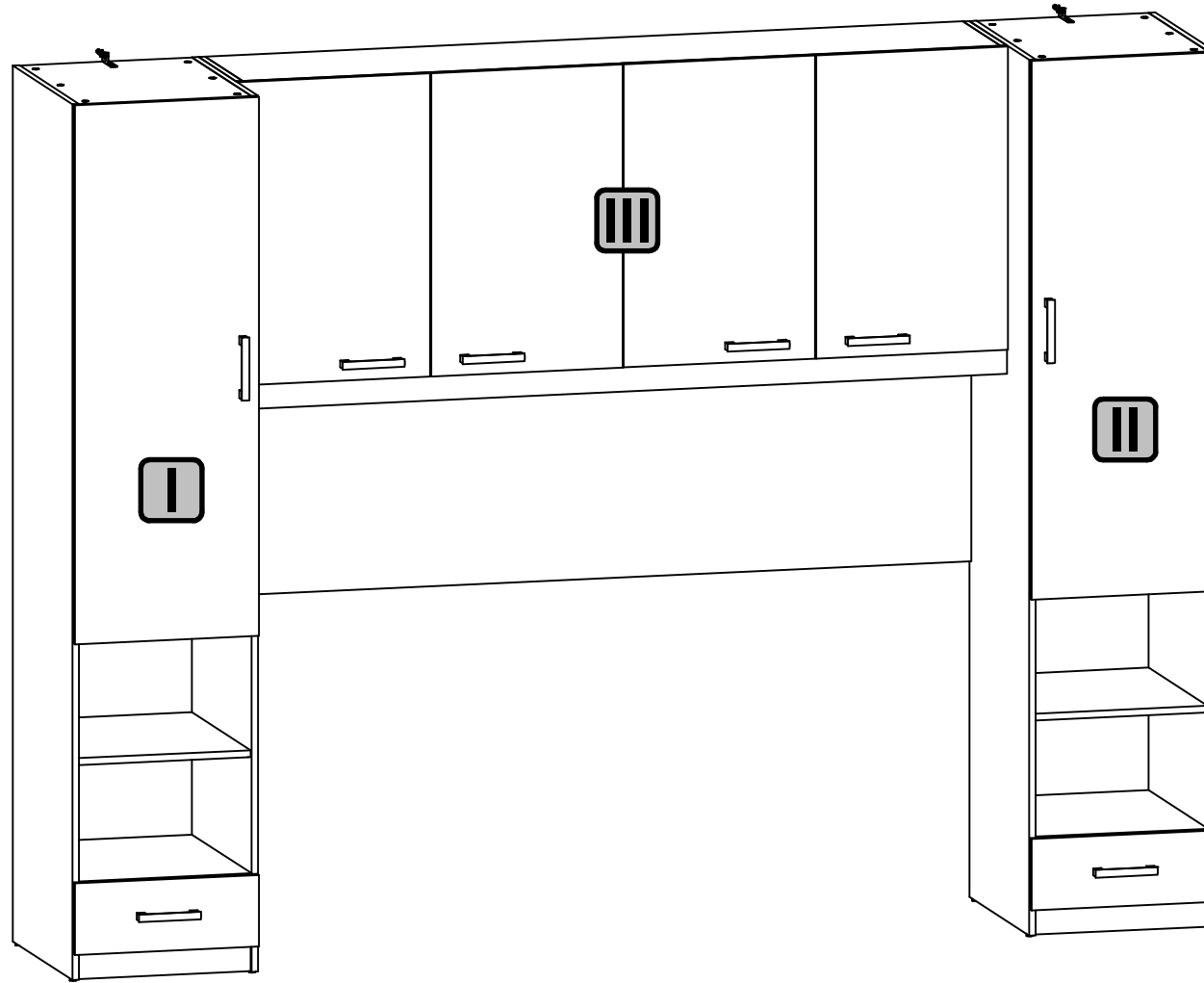


SYNTHIA

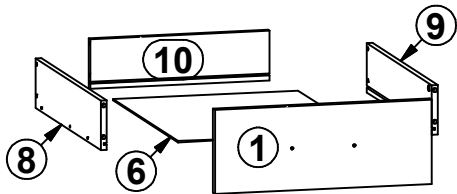
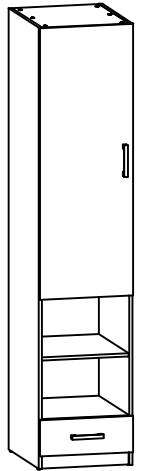
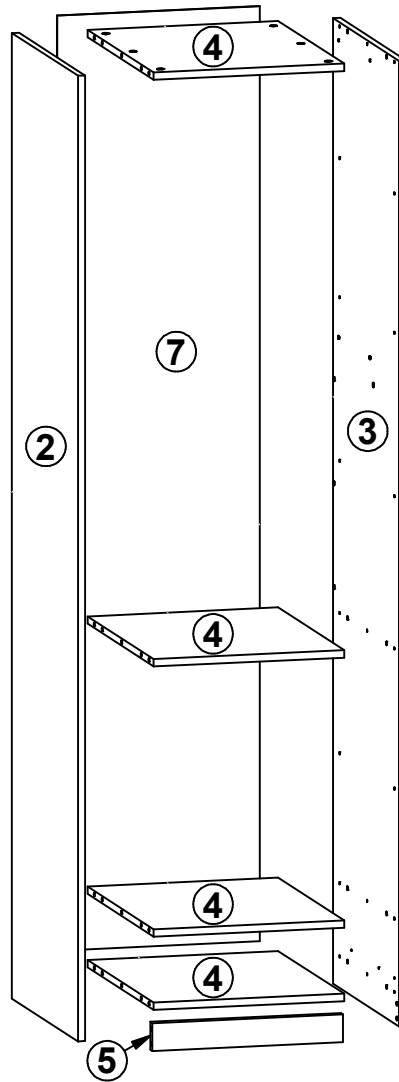
L16-REG6D2S



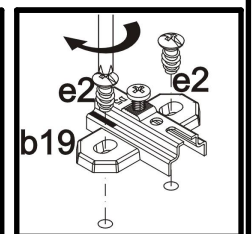
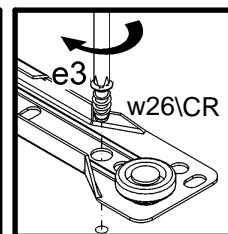
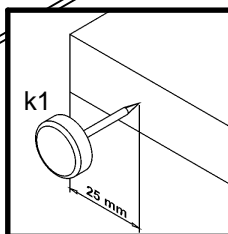
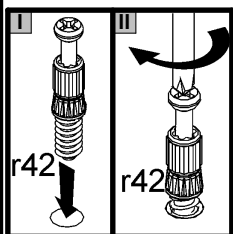
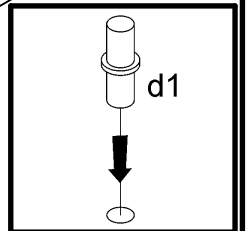
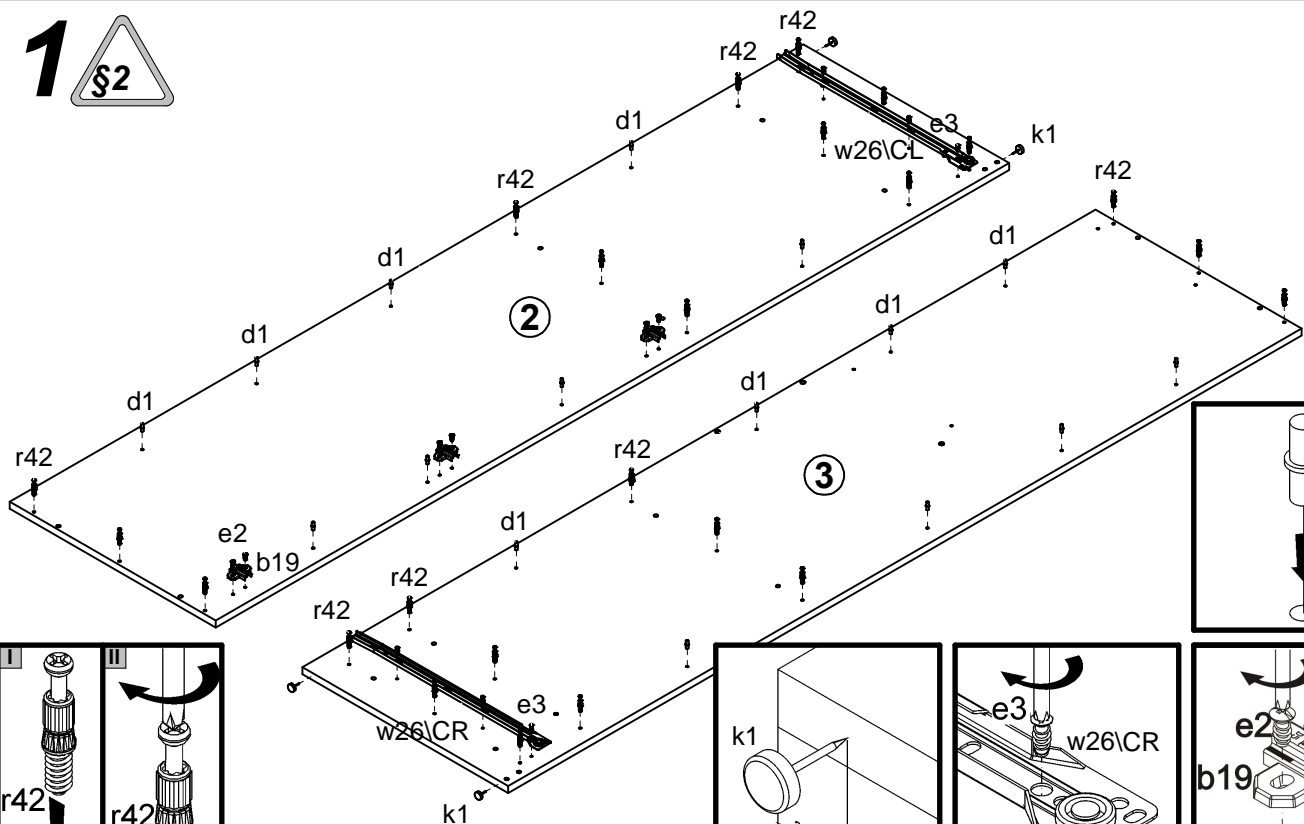
14x a44	14x b19	8x 128 mm c197	40x d1	16x e1	12x e19	28x e2	12x e3	54x f1	8x f25	2x f35	16x j451	8x j452
8x k1	200x l1	2x 81x21x15/1,5 n14	2x p17	4x p38	28x p51	16x p60	55x r1	8x r15	63x r42	12x s1	4x s2	2x 500 mm w26\CL
2x 500 mm w26\CR	2x 500 mm w26\DL	2x 500 mm w26\DR	1x z1									

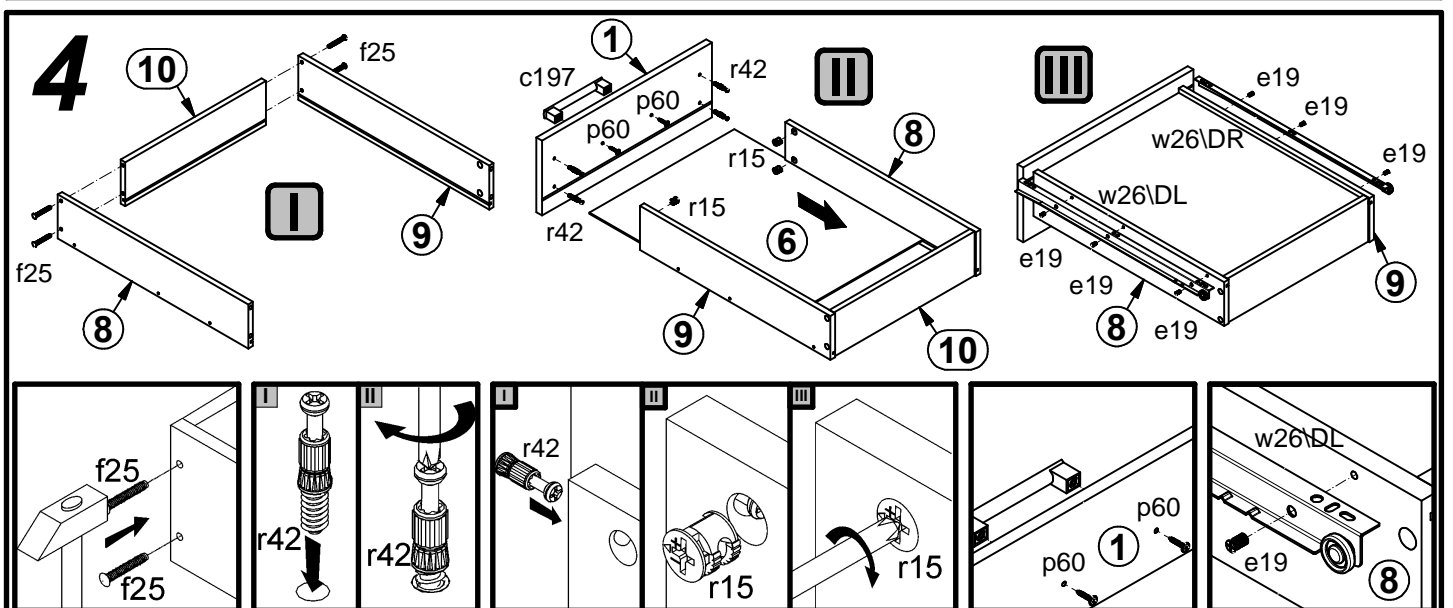
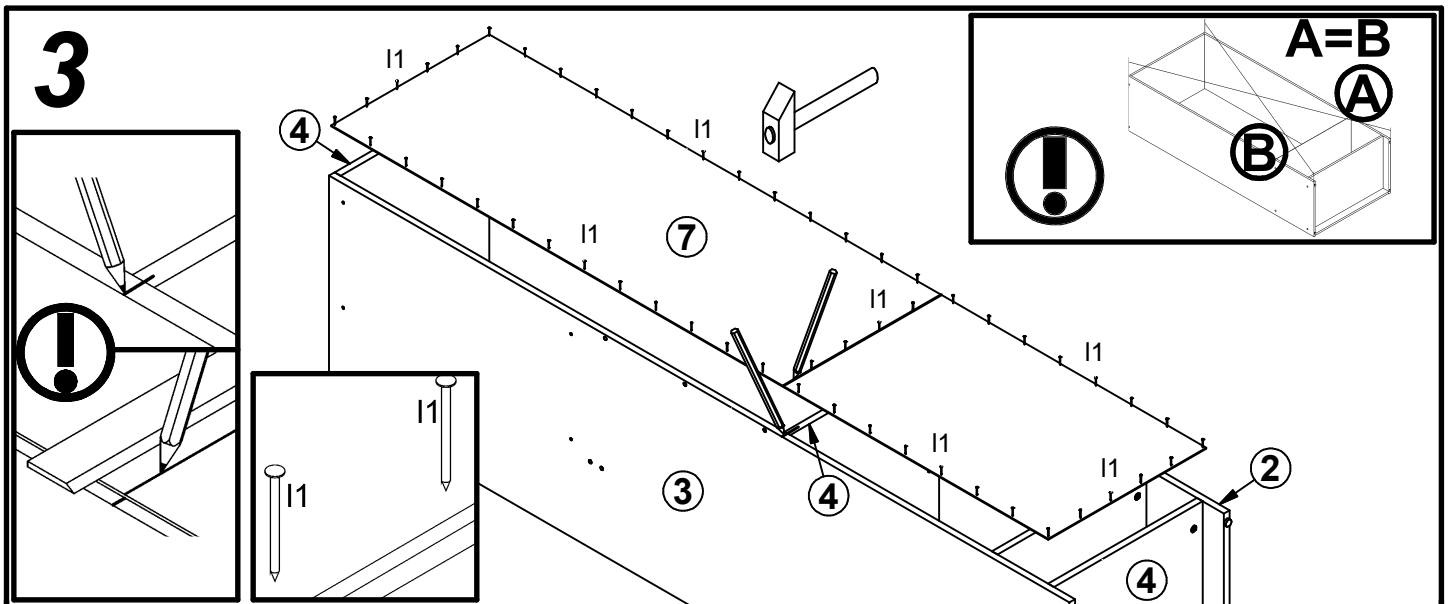
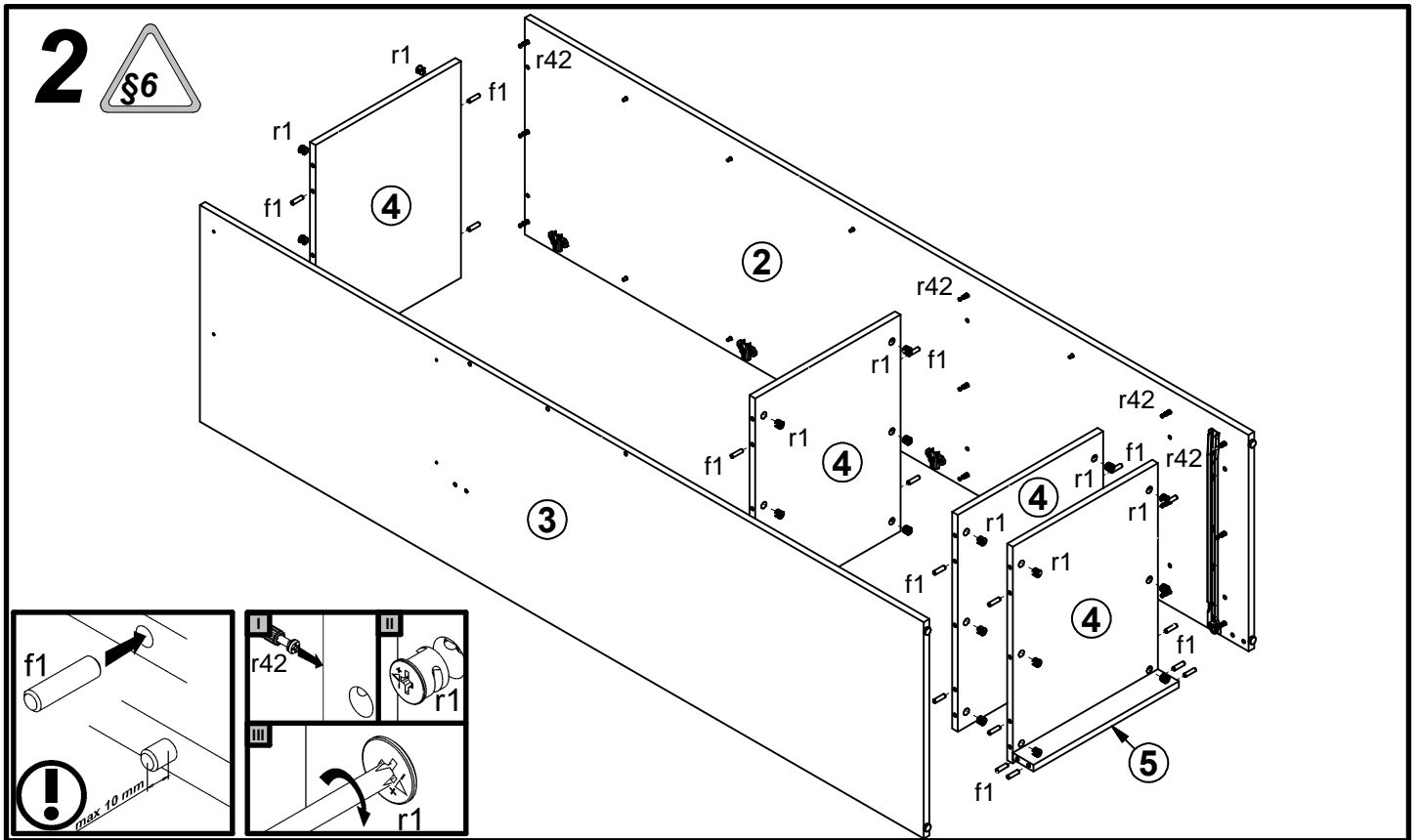
I

A	B	C	D	
1	L16-003	446	170	5/5
2	L16-103	2080	540	1/5
3	L16-104	2080	540	1/5
4	L16-301	418	540	2/5
5	L16-403	418	60	1/5
6	L16-901	380	498	2/5
7	L16-902	2014	444	1/5
8	ZS2-523	500	100	1/5
9	ZS2-524	500	100	1/5
10	ZS2-5544	369	100	1/5



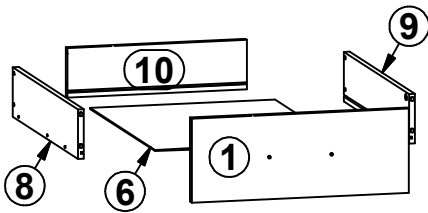
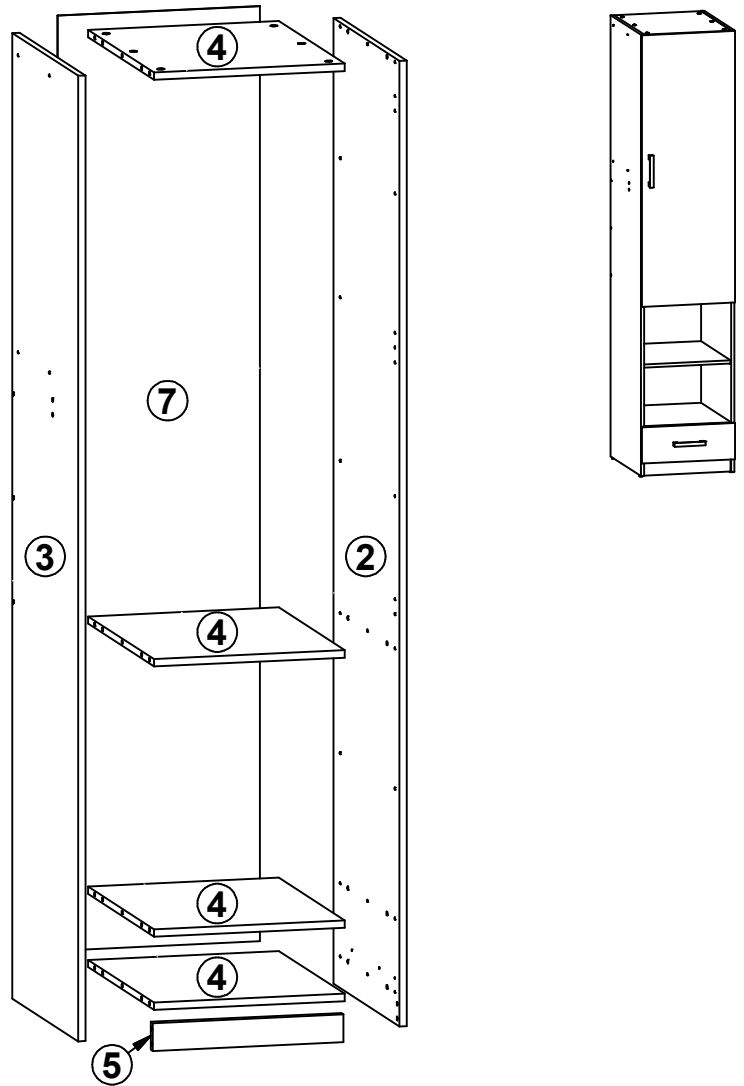
1 §2



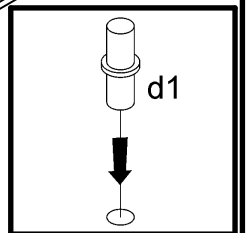
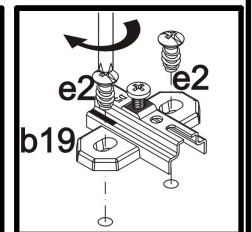
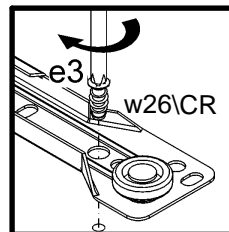
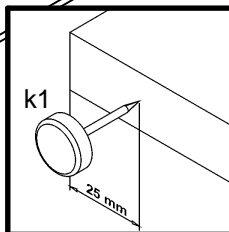
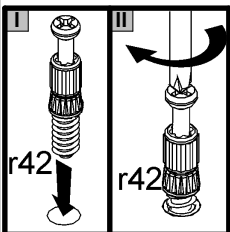
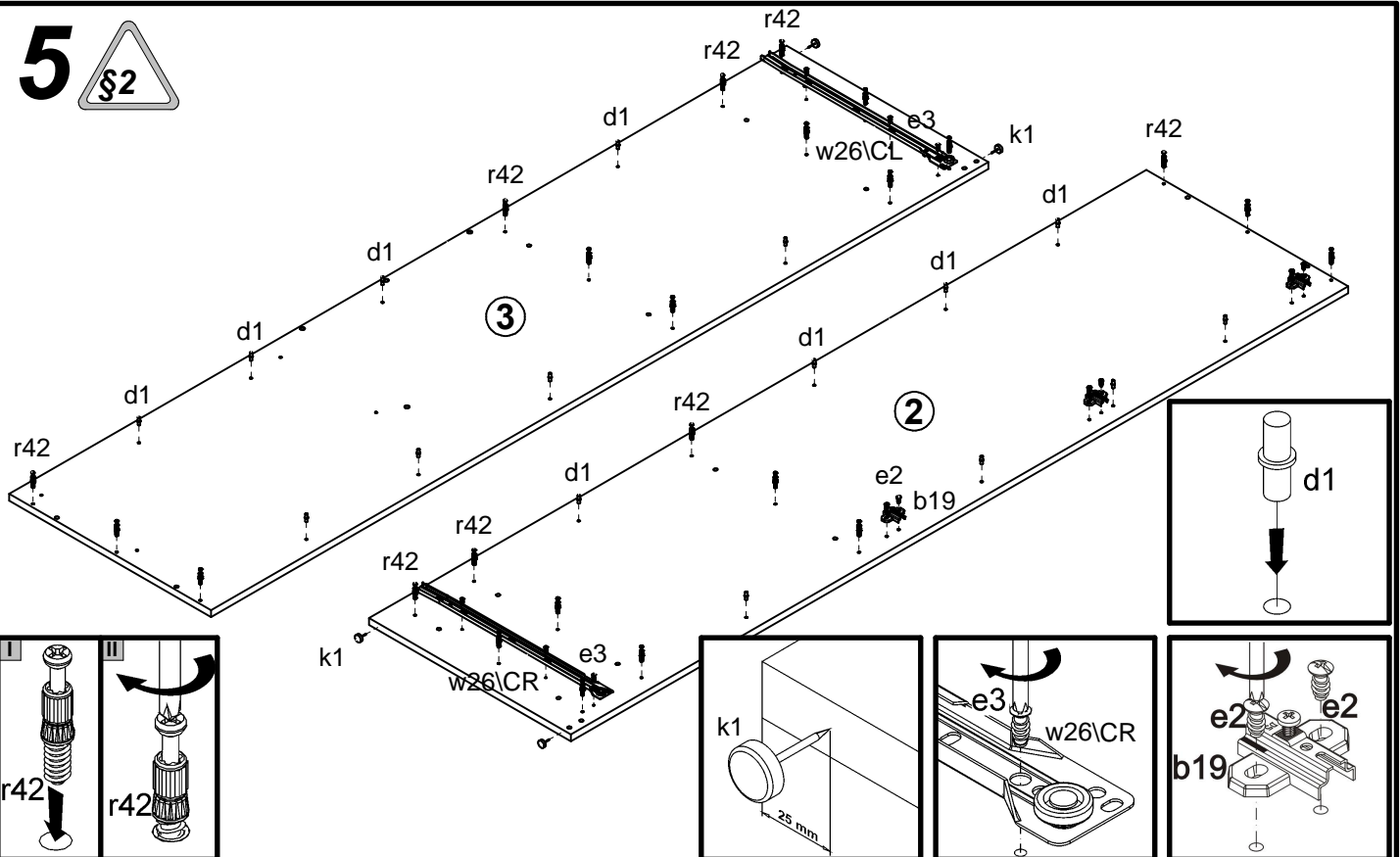


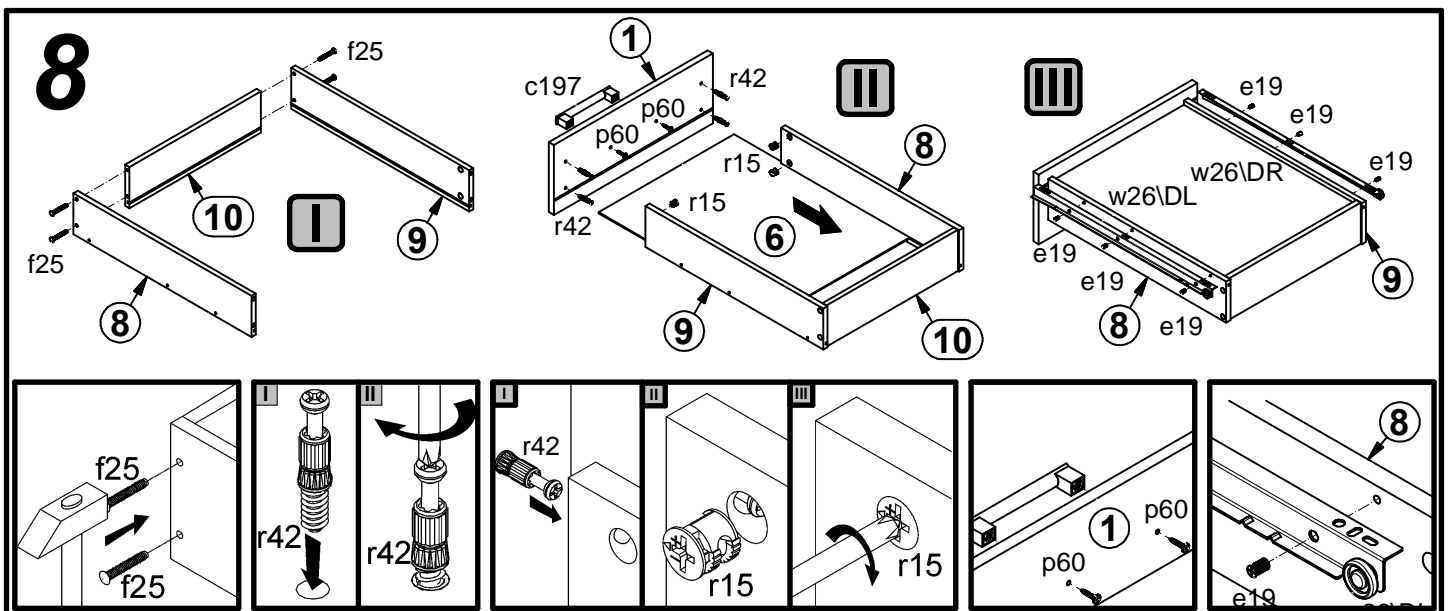
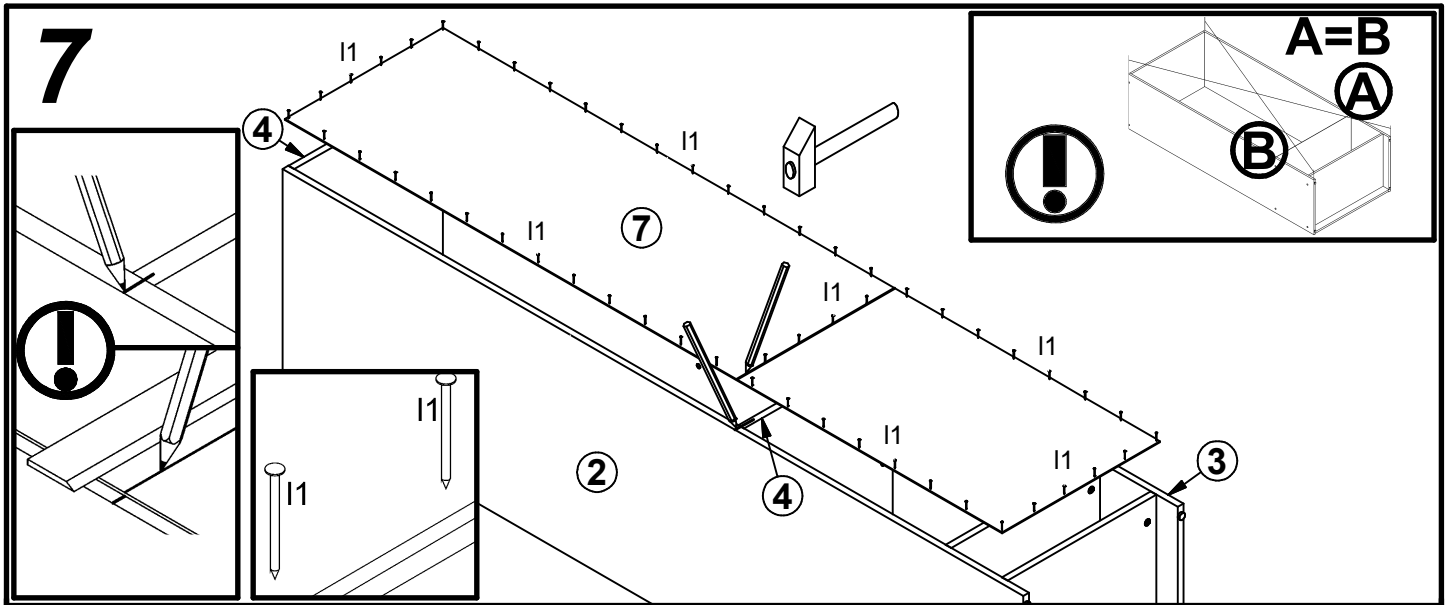
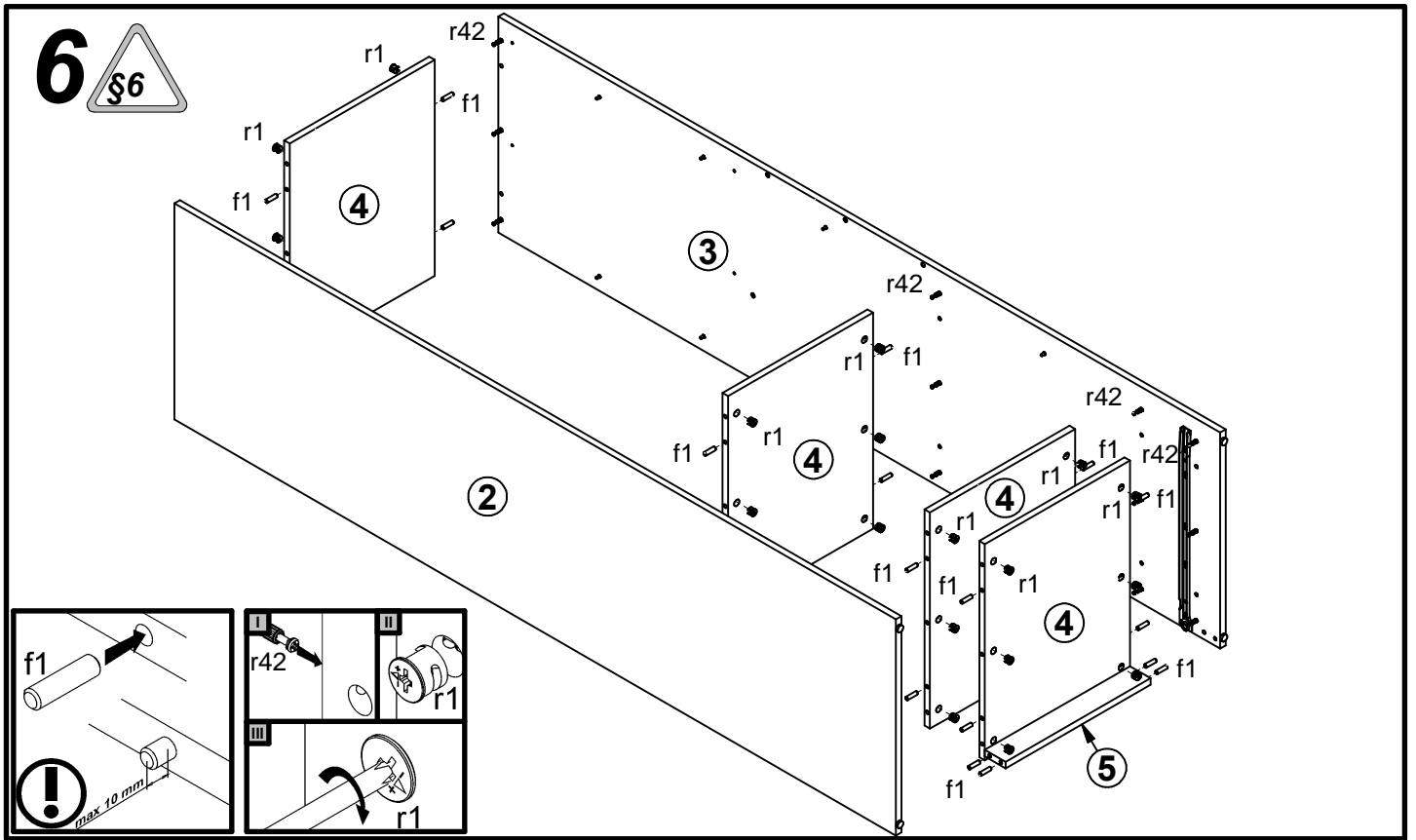


A	B	C	D
1	L16-003	446	170
2	L16-111	2080	540
3	L16-112	2080	540
4	L16-301	418	540
5	L16-403	418	60
6	L16-901	380	498
7	L16-902	2014	444
8	ZS2-523	500	100
9	ZS2-524	500	100
10	ZS2-5544	369	100



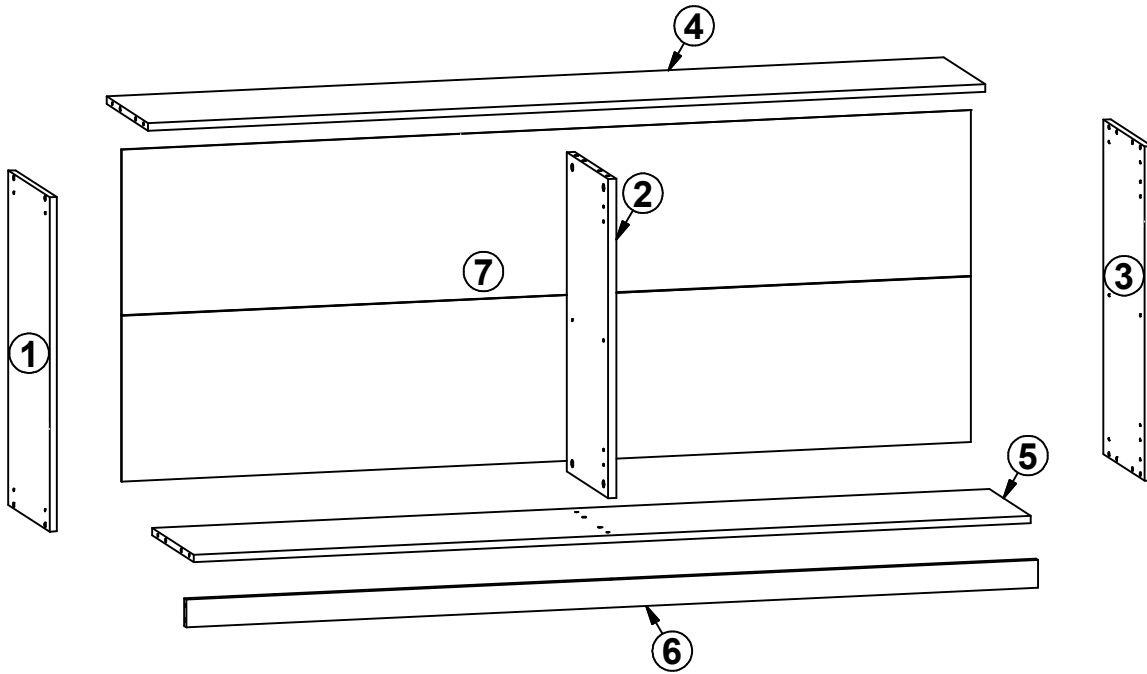
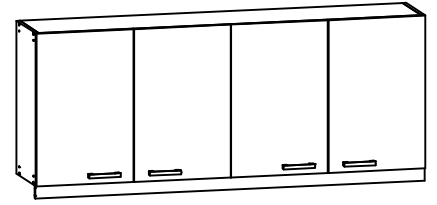
5



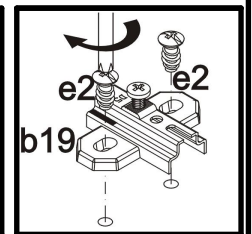
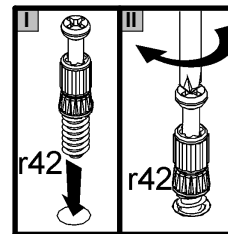
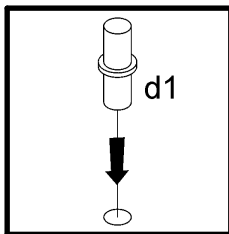
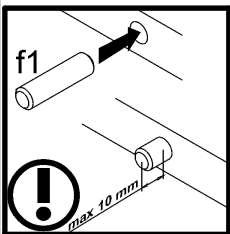
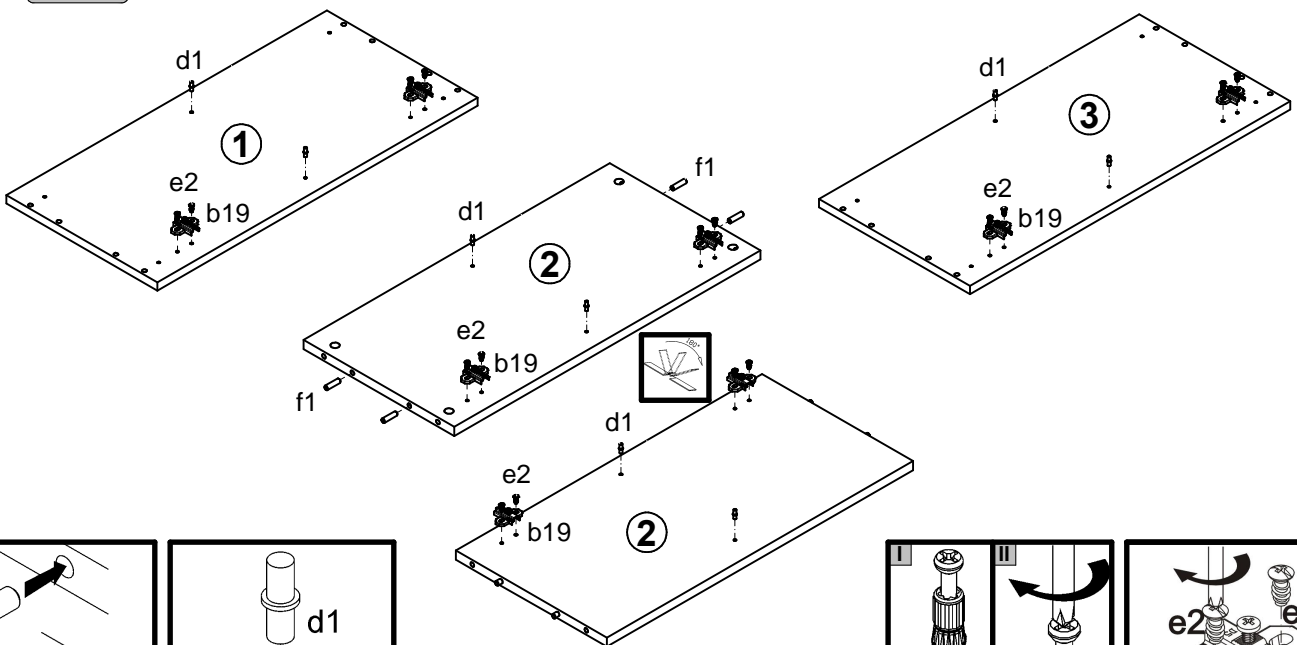


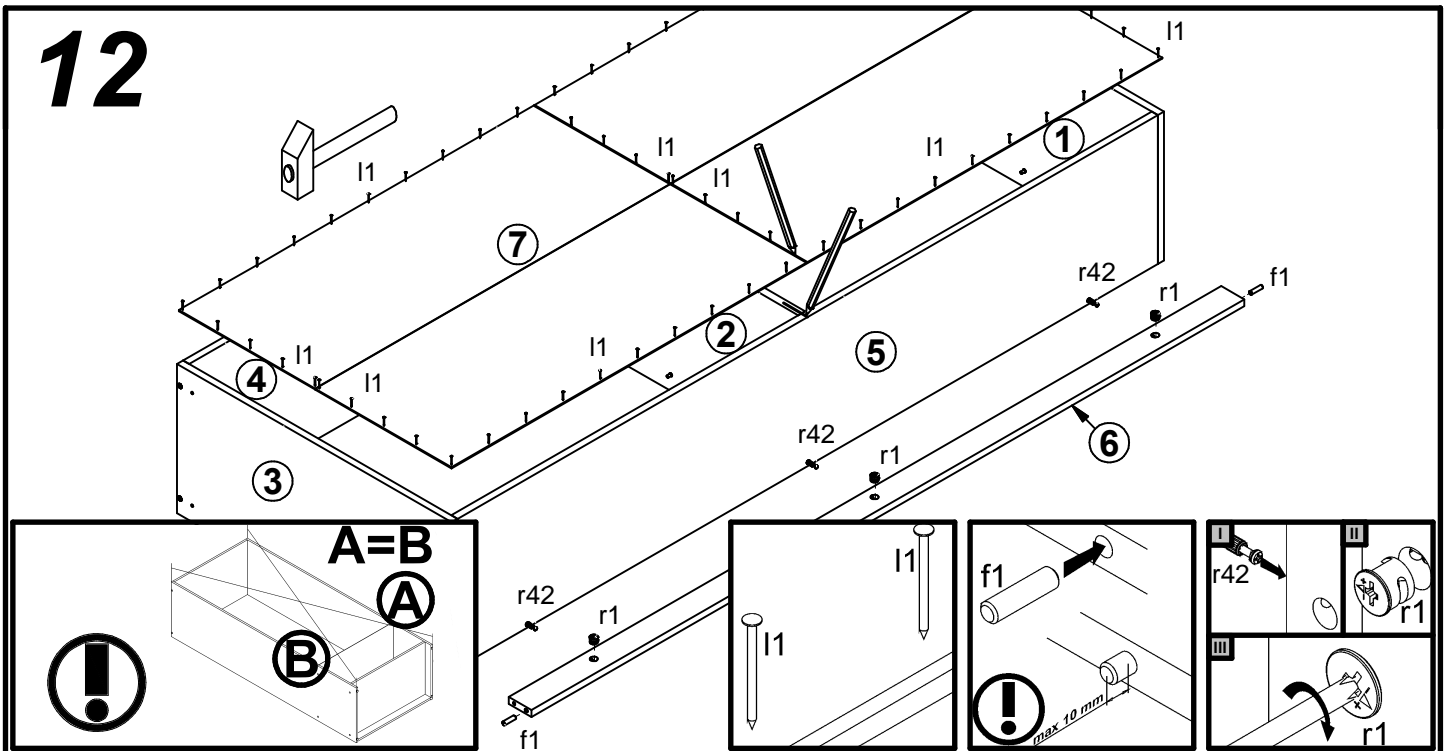
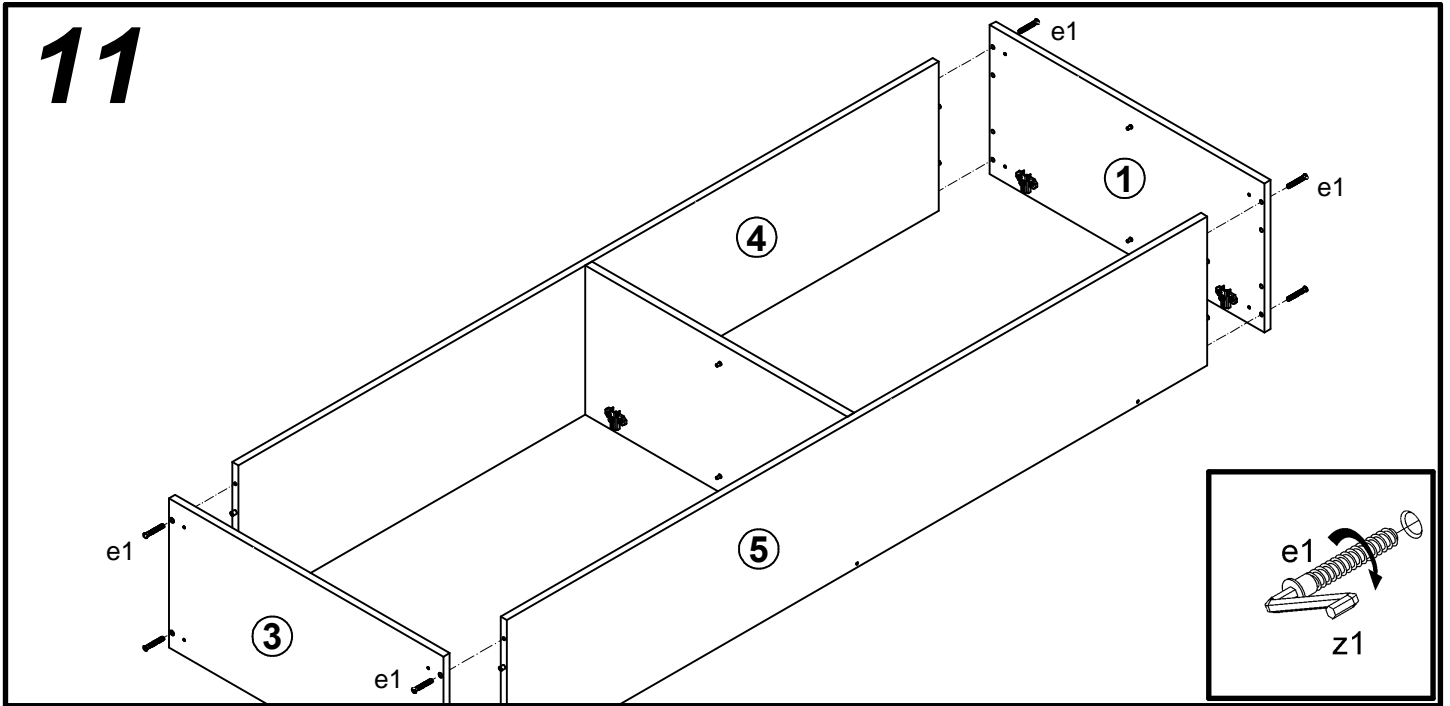
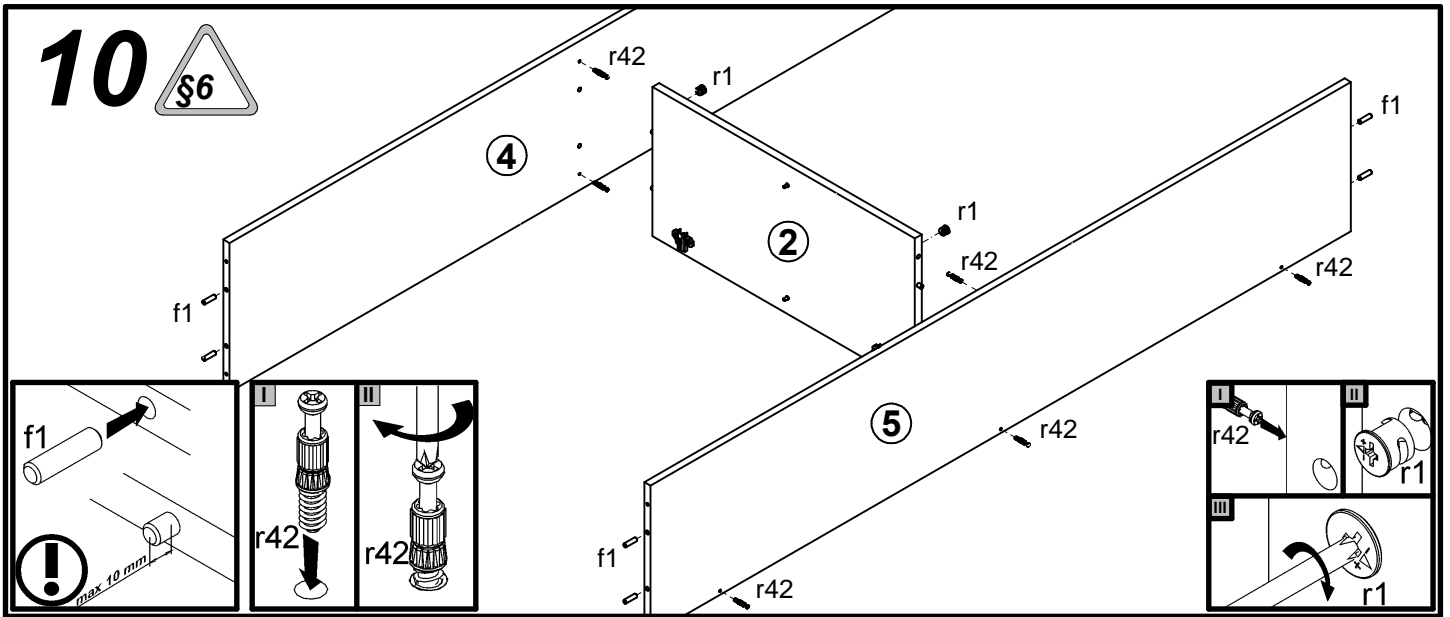


A	B	C	D
1	L16-108	720	339
2	L16-109	688	339
3	L16-110	720	339
4	L16-305	1836	339
5	L16-307	1836	339
6	L16-404	1868	60
7	L16-903	1863	715



9



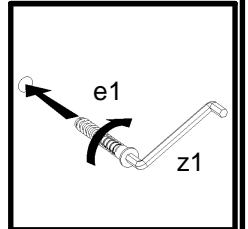
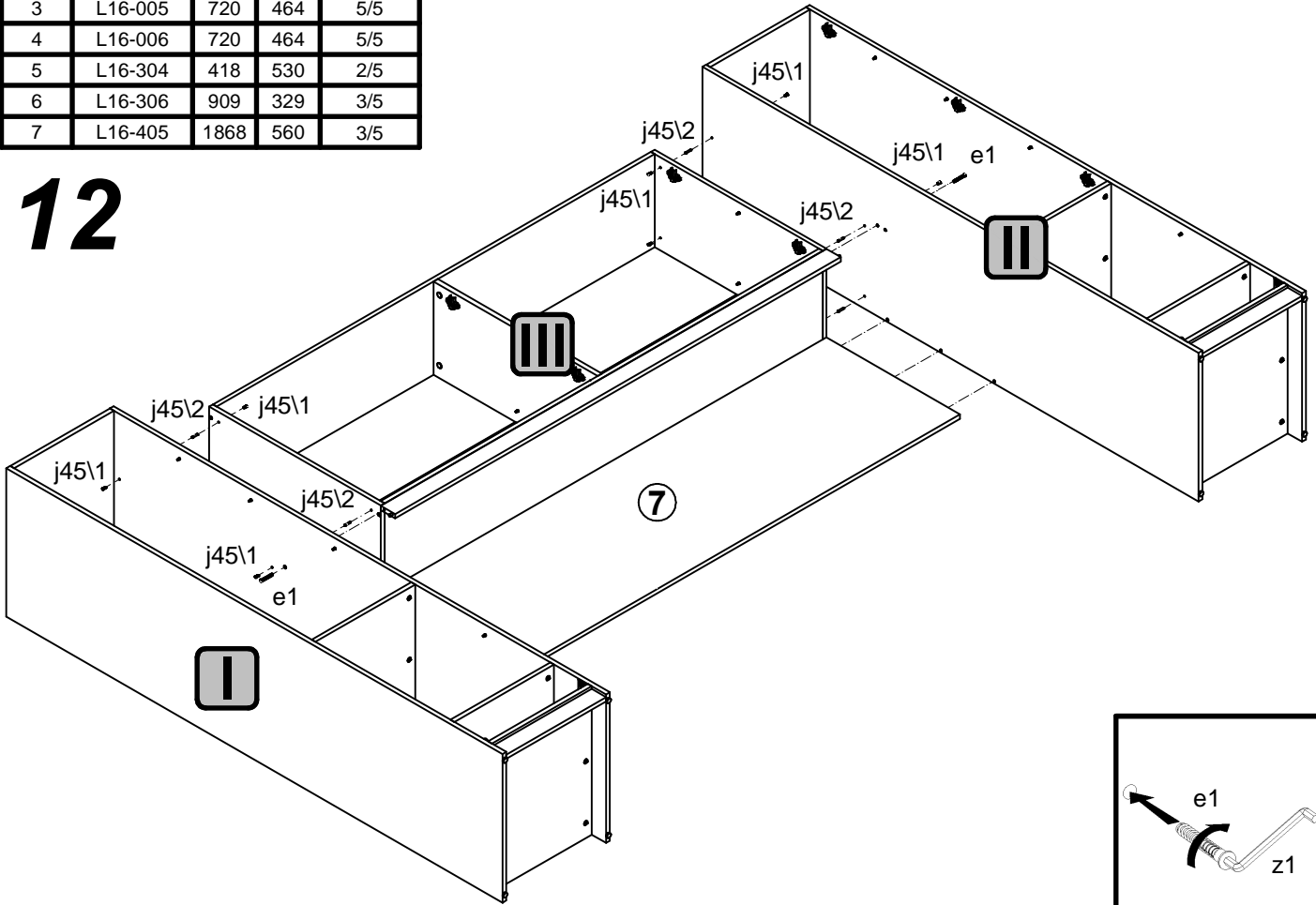




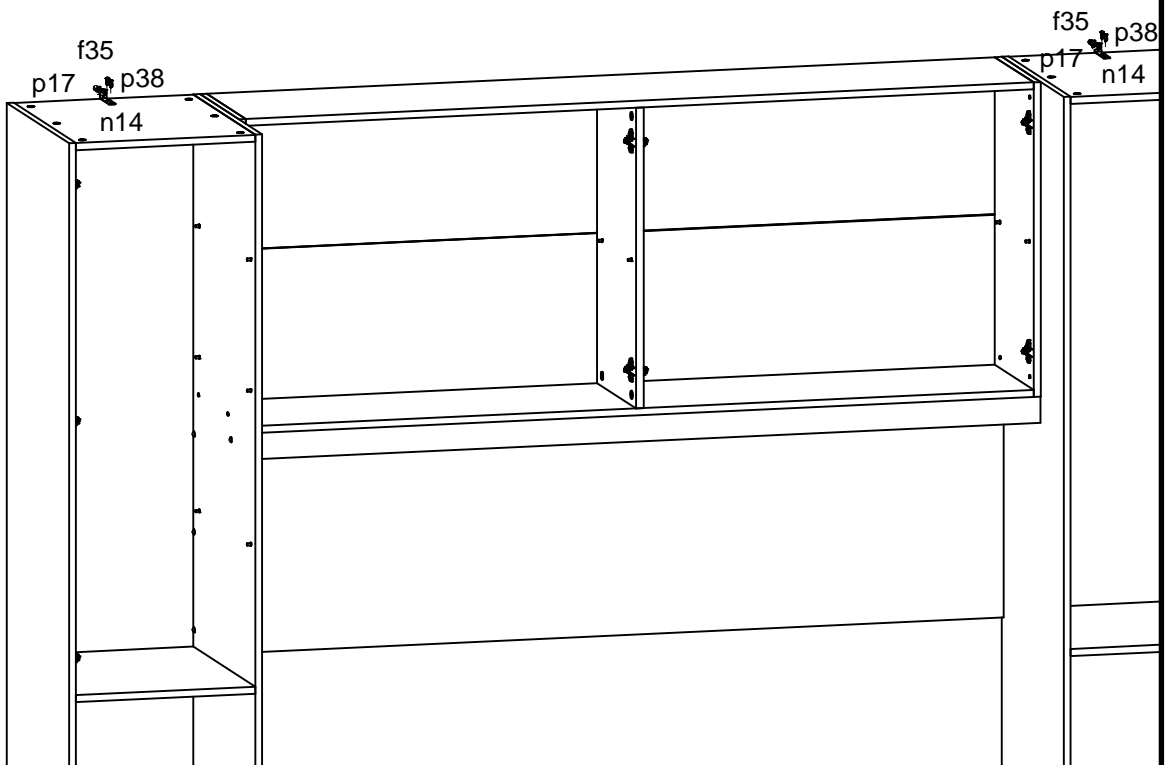
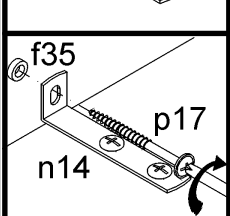
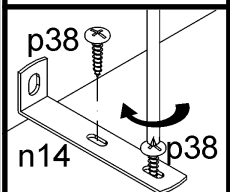
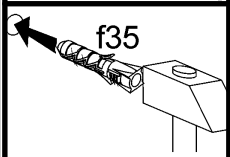
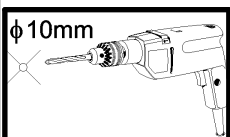
A	B	C	D
1	L16-002	1280	446
2	L16-003	446	170
3	L16-005	720	464
4	L16-006	720	464
5	L16-304	418	530
6	L16-306	909	329
7	L16-405	1868	560



12



13



14

