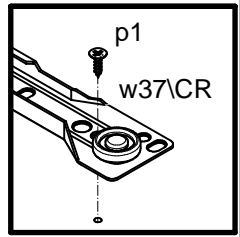
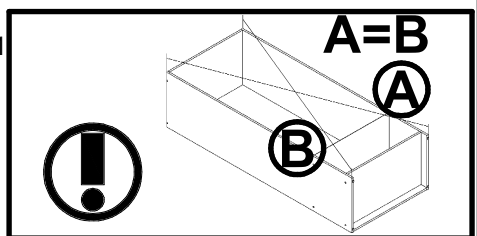
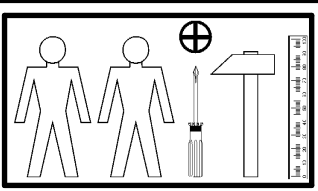
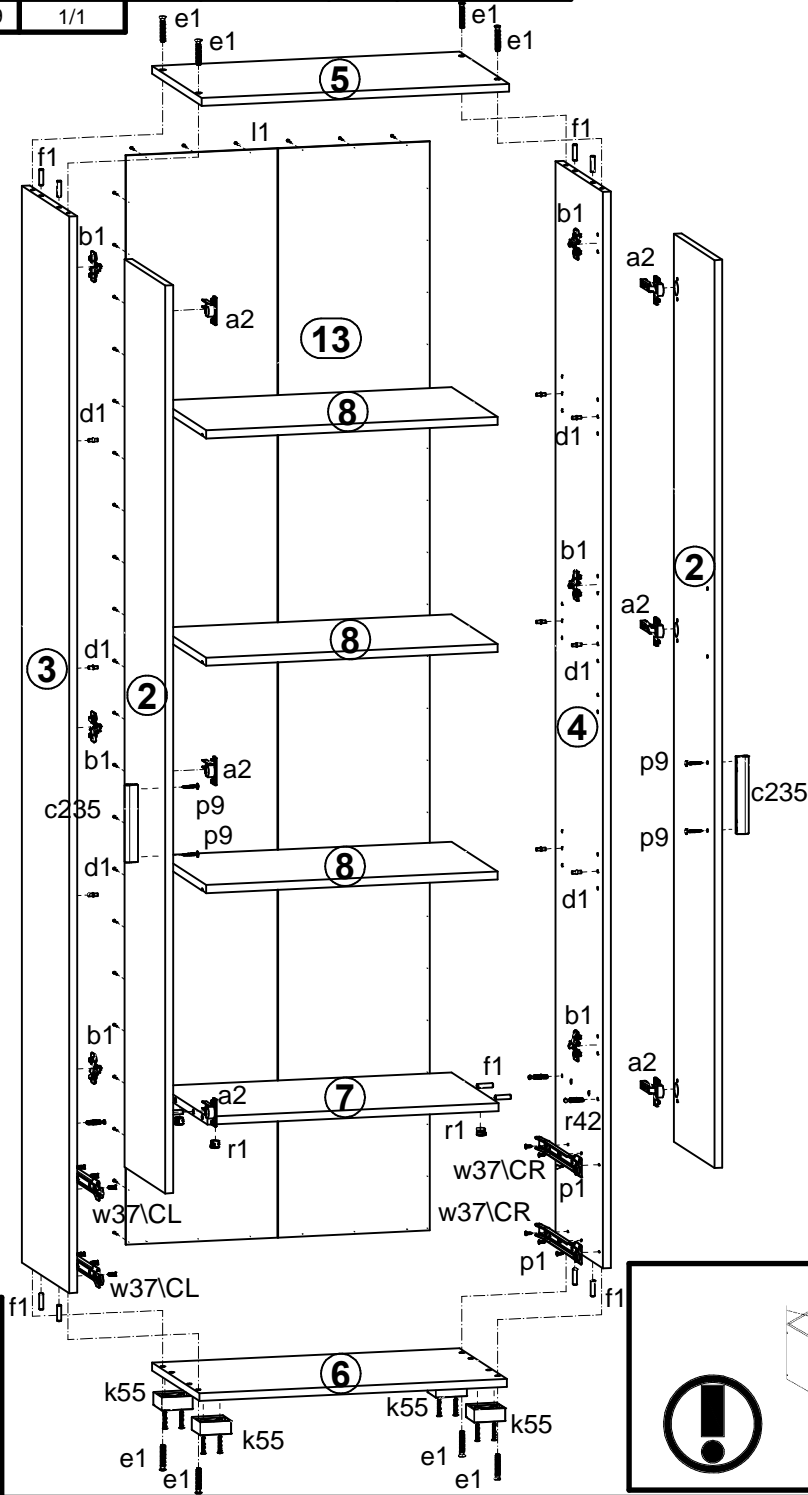
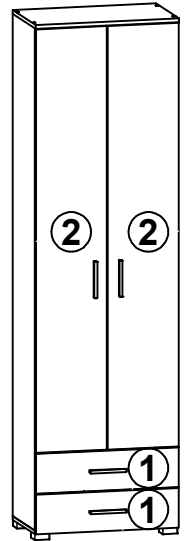


# SIMPLY

# S167-REG2D2S/20/6

A	B	C	D	A	B	C	D		
1	S167-004	586	160	1/1	8	S167-304	559	330	1/1
2	S167-005	1711	291	1/1	9	S167-504	300	100	1/1
3	S167-104	2029	339	1/1	10	S167-505	300	100	1/1
4	S167-105	2029	339	1/1	11	S167-506	510	100	1/1
5	S167-203	590	356	1/1	12	S167-902	520	298	1/1
6	S167-204	590	339	1/1	13	S167-9902	2053	583	1/1
7	S167-303	559	339	1/1					



6x  a2	6x  b1	4x  L=96/128 mm c235	12x  Ø5x17 mm d1	8x  Ø7x50 mm e1	12x  Ø8x30 mm f1	8x  Ø6.5x40 mm f25	4x  k55	54x  l1
12x  Ø3.5x13 mm p1	8x  Ø4x35 mm p6	8x  Ø4x30 mm p9	4x  Ø3.5x16 mm p25	8x  Ø3x12 mm p54	4x  Ø15x12 mm #16 r1	8x  Ø12x10.5 mm #12 r15	12x  r42	2x  283 mm t18
2x  300 mm w37/CL	2x  300 mm w37/CR	2x  300 mm w37/DL	2x  300 mm w37/DR	1x  z1	1x  n26/1	1x  Ø3.5x16 mm p38		

# 1

