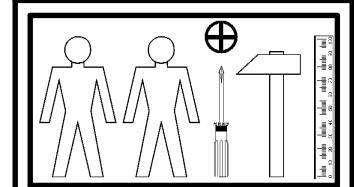
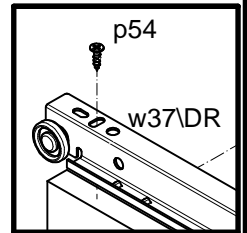
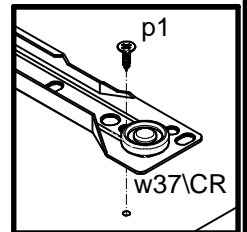
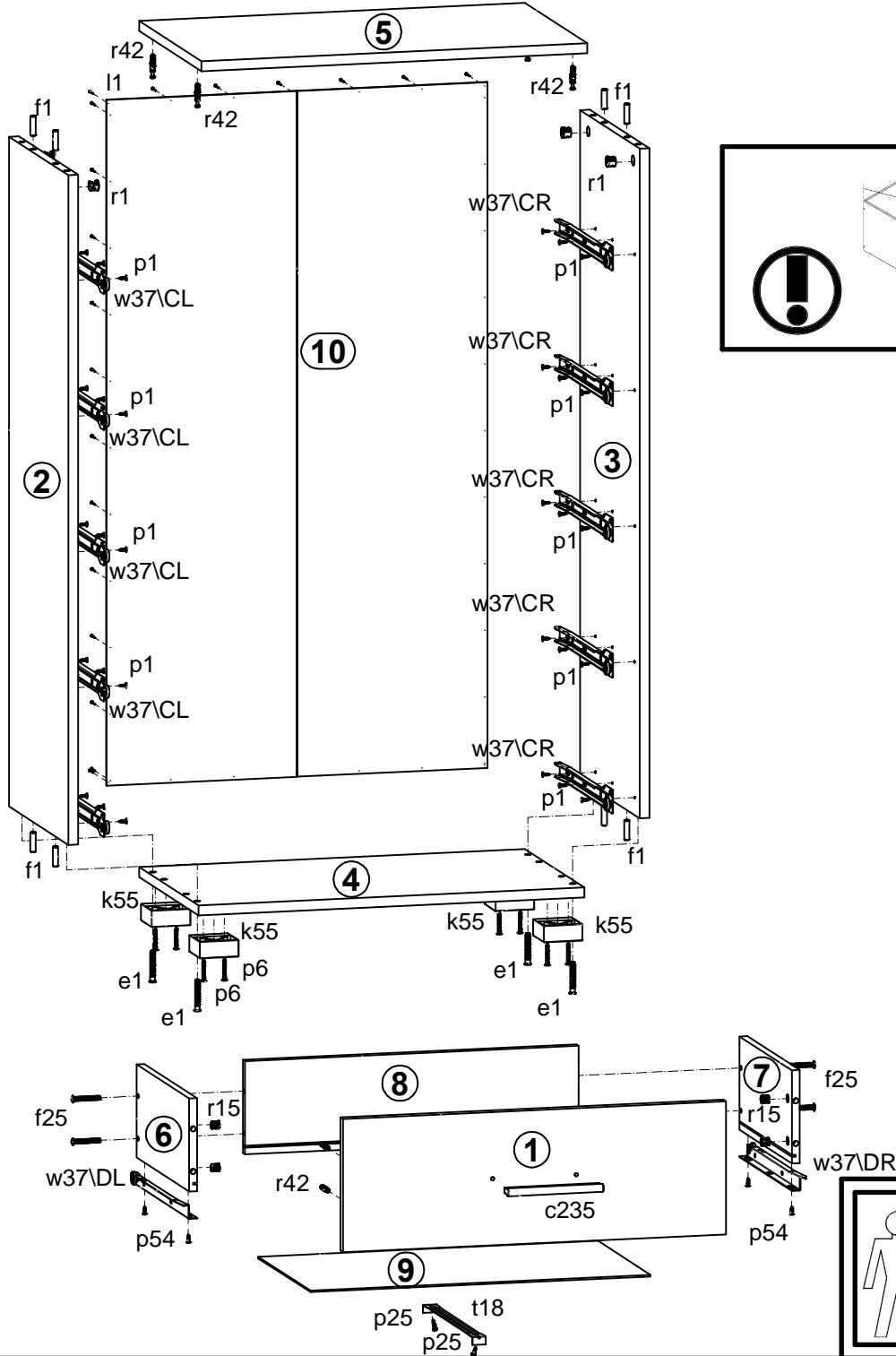
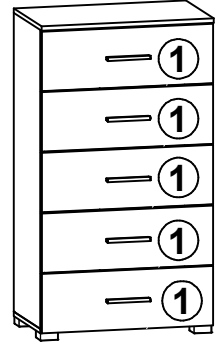


SIMPLY

S167-KOM5S/10/6

A	B	C	D	A	B	C	D		
1	S167-006	586	200	1/1	6	S167-507	300	140	1/1
2	S167-106	1006	339	1/1	7	S167-508	300	140	1/1
3	S167-107	1006	339	1/1	8	S167-509	510	140	1/1
4	S167-204	590	339	1/1	9	S167-902	520	298	1/1
5	S167-205	590	356	1/1	10	S167-9903	1030	583	1/1



5x L=96/128 mm c235	4x Ø7x50 mm e1	8x Ø8x30 mm f1	20x Ø6.5x40 mm f25	4x k55	36x l1	30x Ø3.5x13 mm p1	10x Ø3.5x16 mm p25	20x Ø3x12 mm p54
8x Ø4x35 mm p6	10x Ø4x30 mm p9	4x Ø15x12 mm #16 r1	20x Ø12x10.5 mm #12 r15	24x r42	5x 283 mm t18	5x 300 mm w37/CL	5x 300 mm w37/CR	5x 300 mm w37/DL
5x 300 mm w37/DR	1x z1	1x n26/1	1x Ø3.5x16 mm p38					