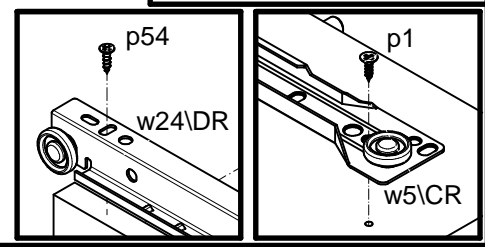
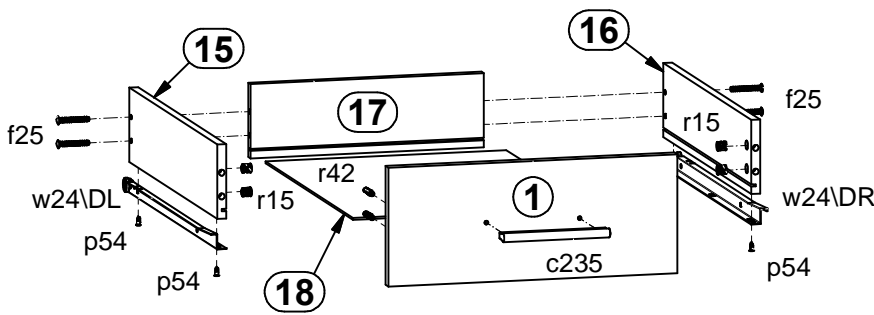
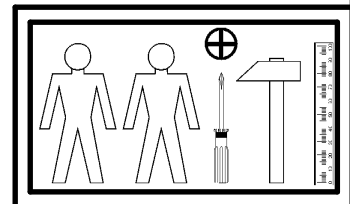
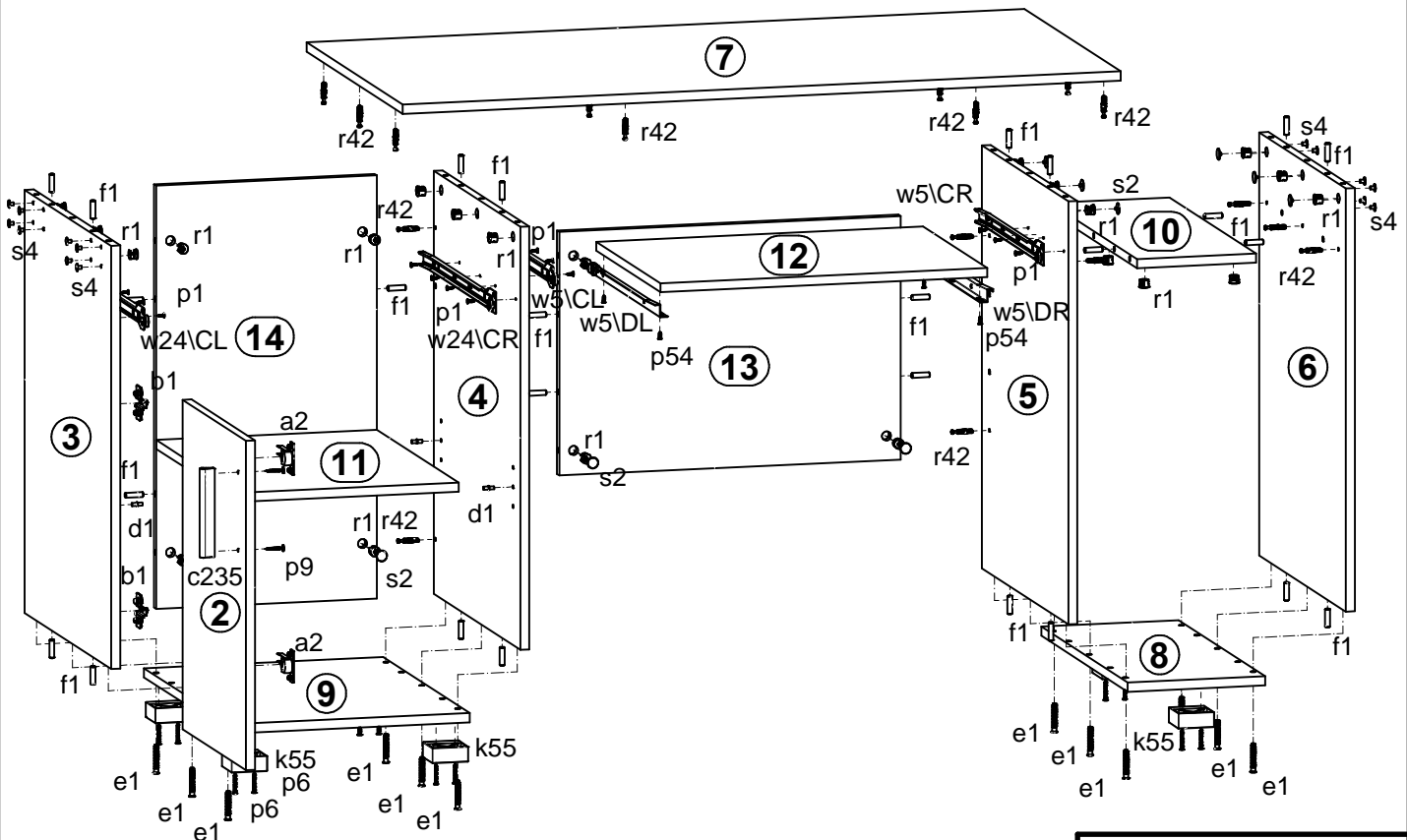
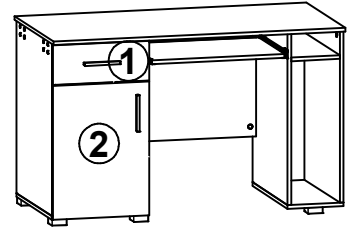


SIMPLY

S167-BIU1D1S/8/12

A	B	C	D	A	B	C	D		
1	S167-010	396	160	1/2	10	S167-308	199	540	2/2
2	S167-011	541	396	2/2	11	S167-309	369	510	2/2
3	S167-118	695	540	1/2	12	S167-310	546	400	2/2
4	S167-119	695	540	1/2	13	S167-405	571	400	2/2
5	S167-120	695	540	1/2	14	S167-406	695	369	2/2
6	S167-121	695	540	1/2	15	S167-501	450	100	1/2
7	S167-212	1200	600	2/2	16	S167-502	450	100	1/2
8	S167-213	230	540	1/2	17	S167-513	320	100	2/2
9	S167-214	400	540	1/2	18	S167-905	330	448	1/2



2x a2	2x b1	2x L=96/128 mm c235	4x Ø5x17 mm d1	12x Ø7x50 mm e1	28x Ø8x30 mm f1	4x Ø6.5x40 mm f25	6x k55	14x Ø3.5x13 mm p1
8x Ø3x12 mm p54	12x Ø4x35 mm p6	4x Ø4x30 mm p9	26x Ø15x12 mm #16 r1	4x Ø12x10.5 mm #12 r15	30x r42	12x Ø16 s2	16x Ø5 s4	1x 450 mm w24\CL
1x 450 mm w24\CR	1x 450 mm w24\DL	1x 450 mm w24\DR	1x 400 mm w5\CL	1x 400 mm w5\CR	1x 400 mm w5\DL	1x 400 mm w5\DR	1x z1	