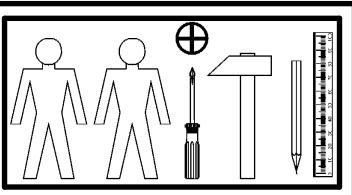
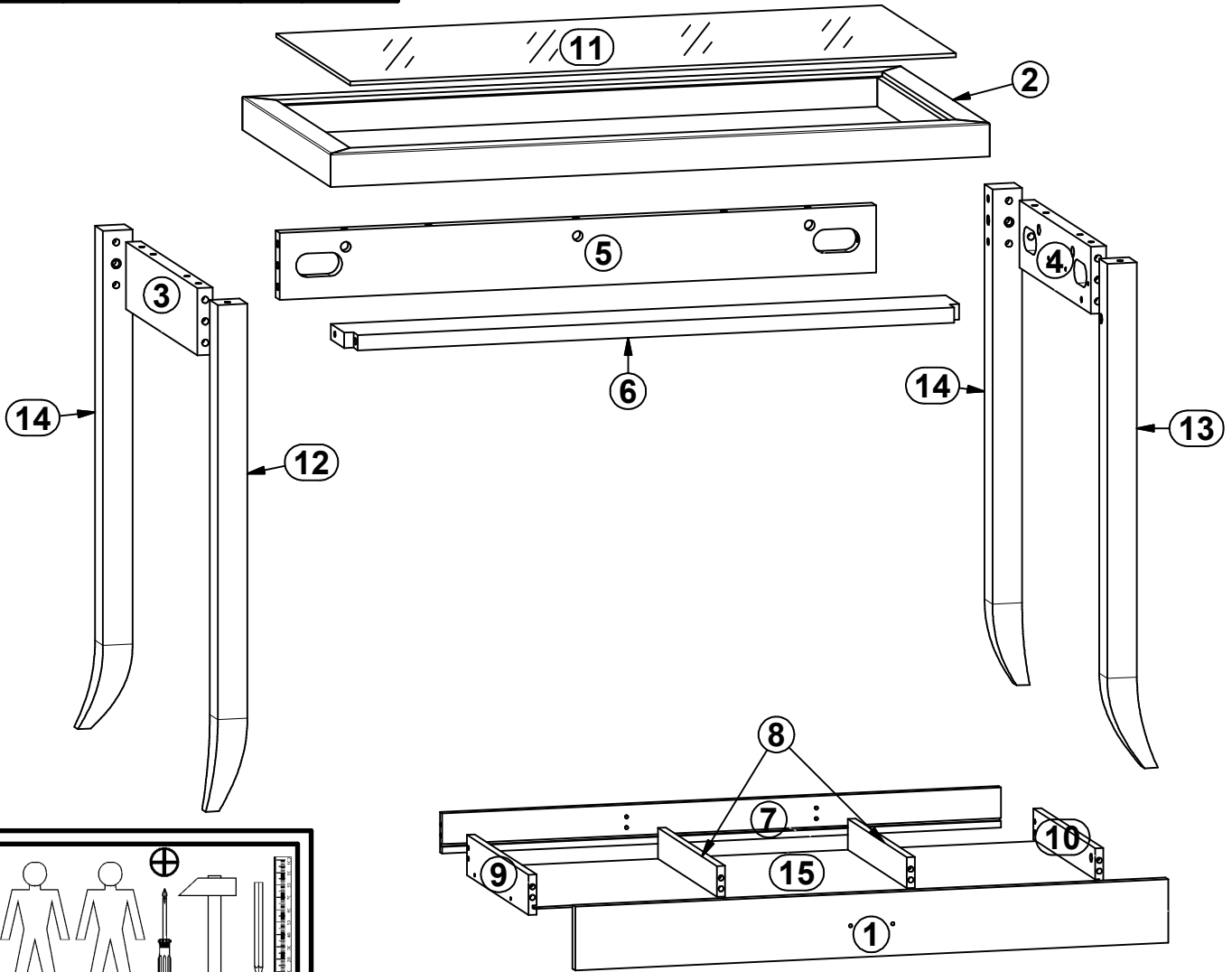
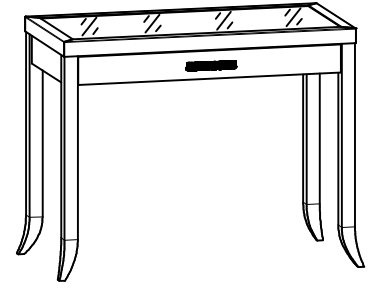
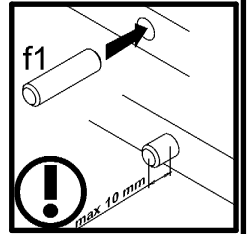
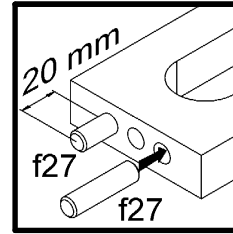
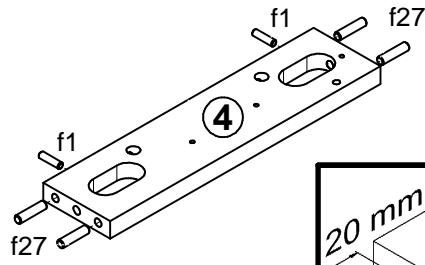
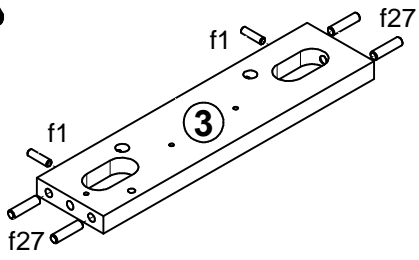


A	B	C	D	
1	S81-014	900	95	4/4
2	S81-220	1000	500	1/4
3	S81-403	405	100	2/4
4	S81-404	405	100	2/4
5	S81-405	905	100	2/4
6	S81-406	933	100	2/4
7	S81-501	848	60	4/4
8	S81-502	335	46	4/4
9	S81-503	350	60	4/4
10	S81-504	350	60	4/4
11	S81-555	919	419	3/4
12	S81-595	750	70	2/4
13	S81-596	750	70	2/4
14	S81-597	750	70	2/4
15	S81-916	859	348	1/4

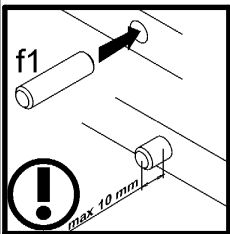
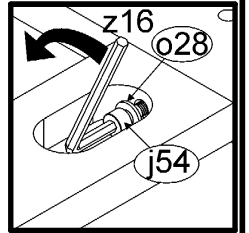
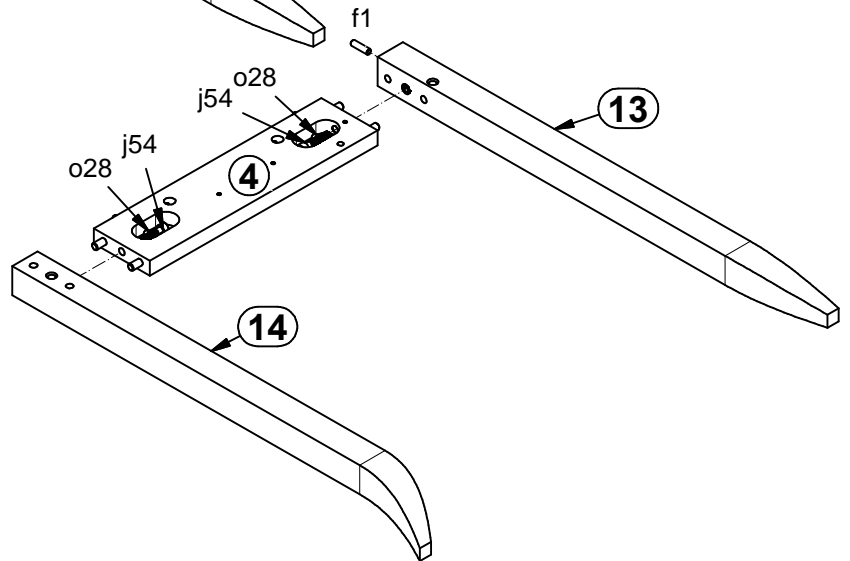
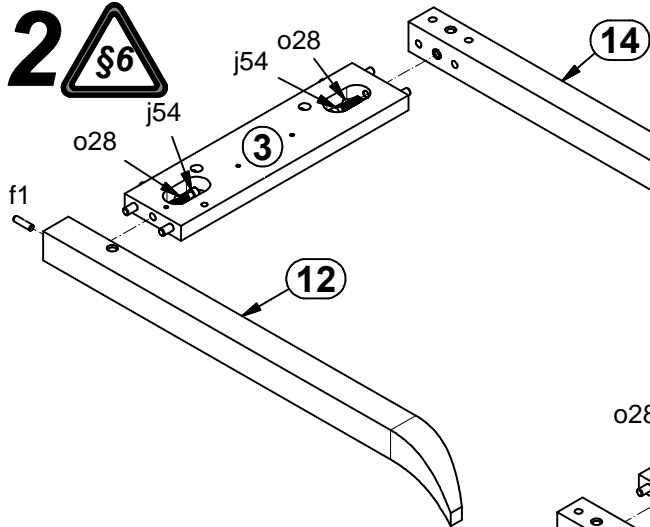


1x c237	6x φ6x30 mm e16	4x φ5x9 mm e19	4x φ5x50 mm e32	14x φ8x30 mm f1	4x φ6.5x40 mm f25	12x φ10x40 mm f27	2x M4x22 mm j30	8x M8x40 mm j54
8x φ8/φ17x1.8 mm o28	6x φ3.5x16 mm p38	7x φ1.5x12mm #16 r1	4x φ12x10.5mm #12 r15	11x r16	6x silikon o21	6x h=18 mm w36	1x 350 mm w45ICL	1x 350 mm w45ICR
1x 350 mm w45IDL	1x 350 mm w45IDR	1x 6mm z16						

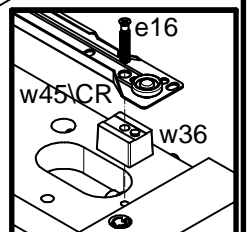
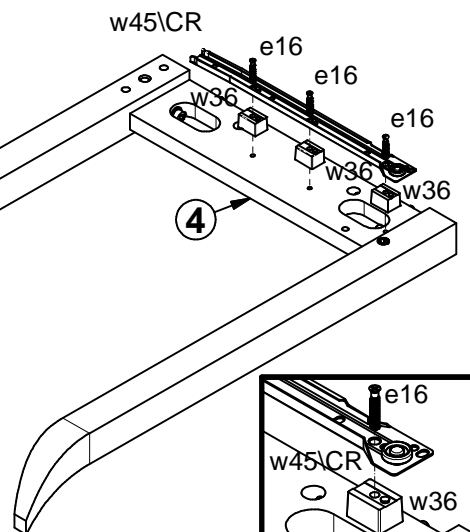
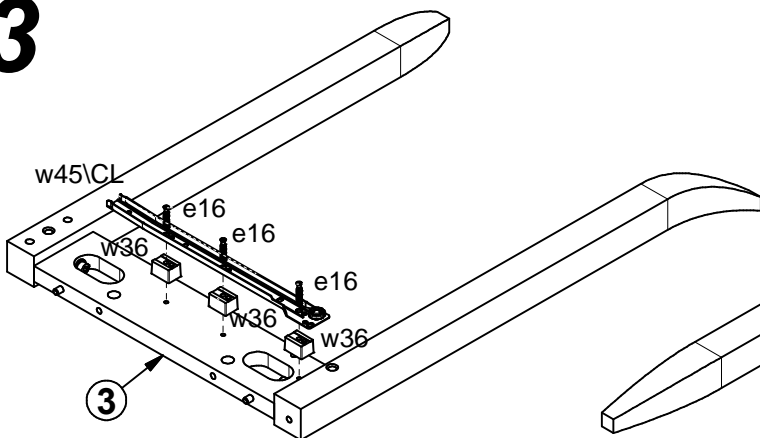
1 



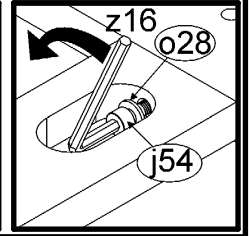
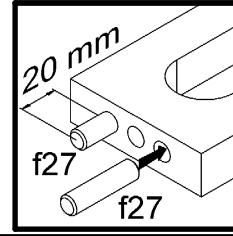
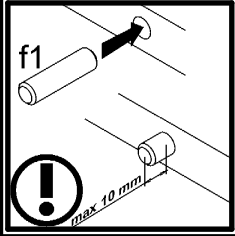
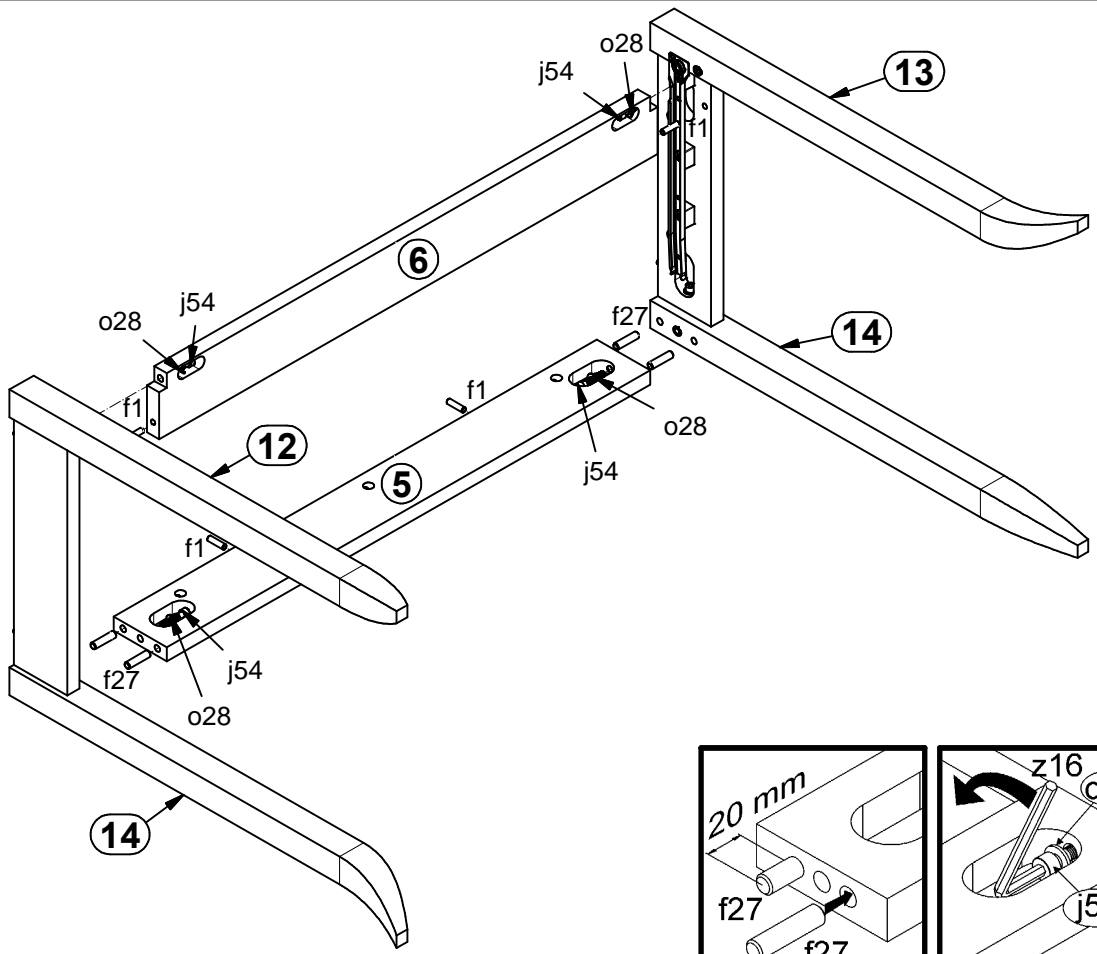
2 



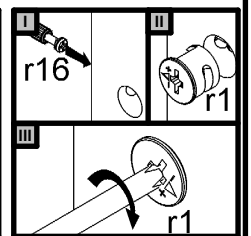
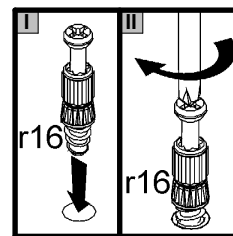
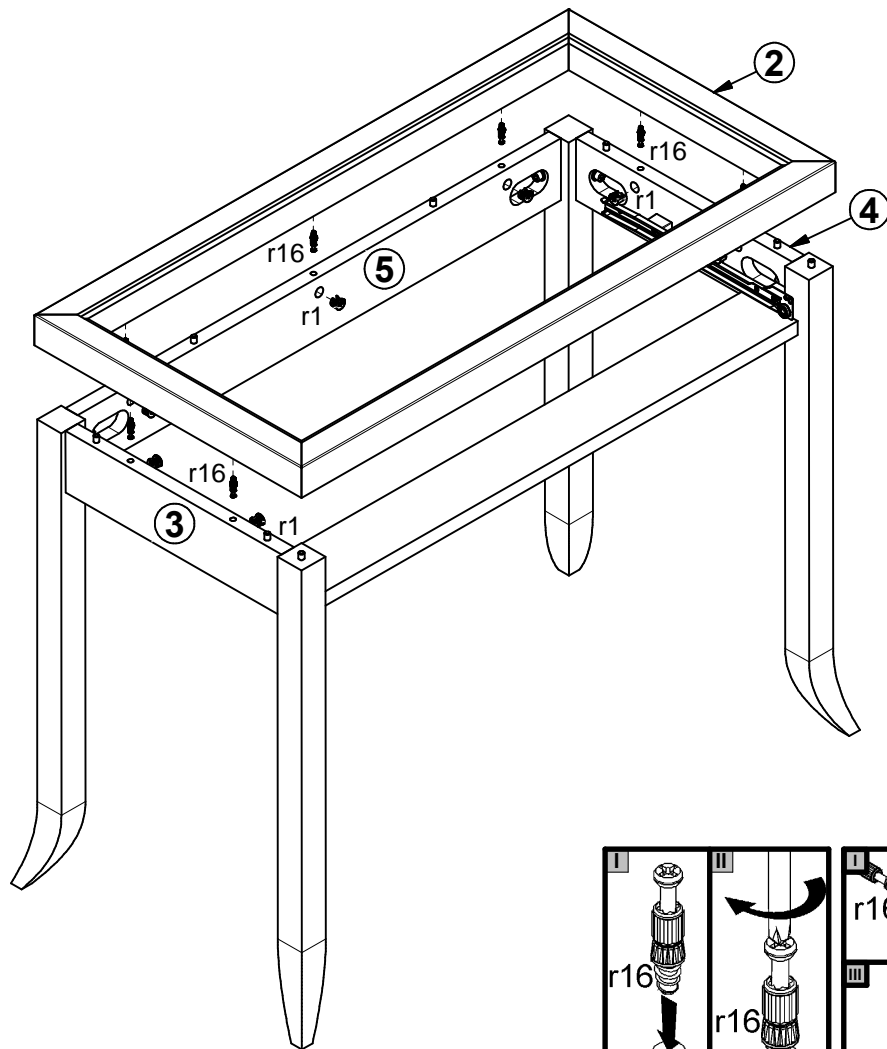
3



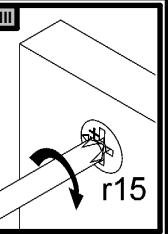
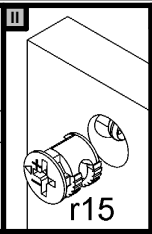
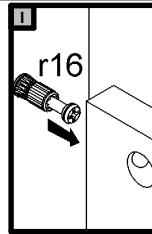
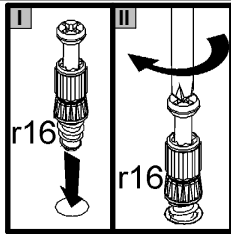
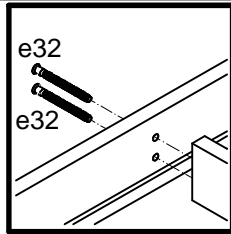
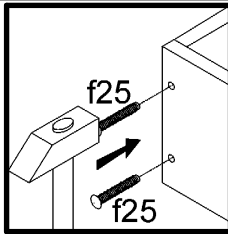
4



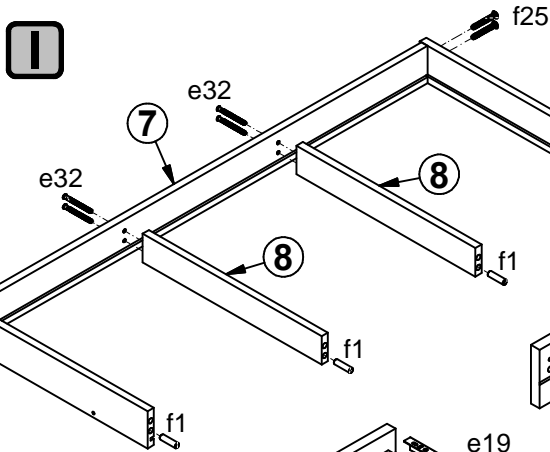
5



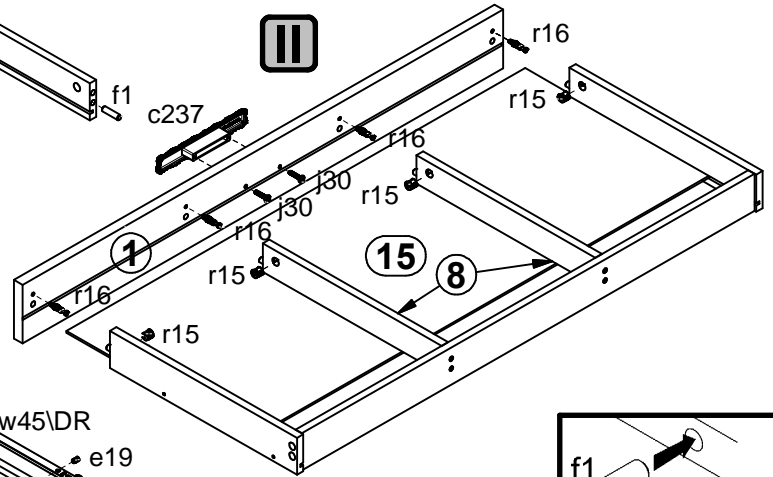
6



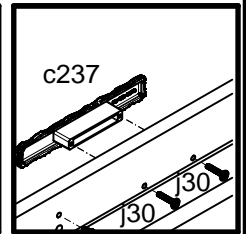
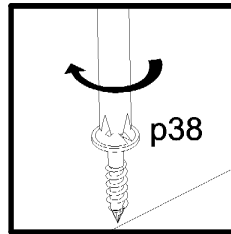
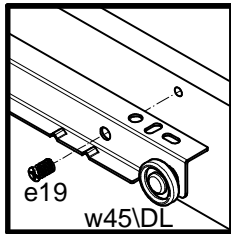
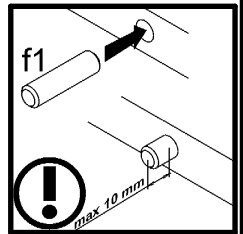
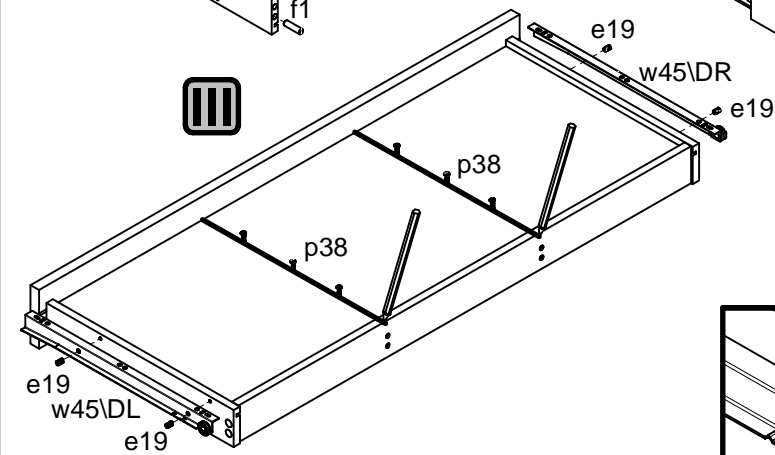
I



II



III



7

