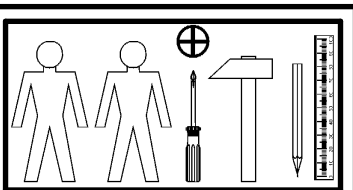
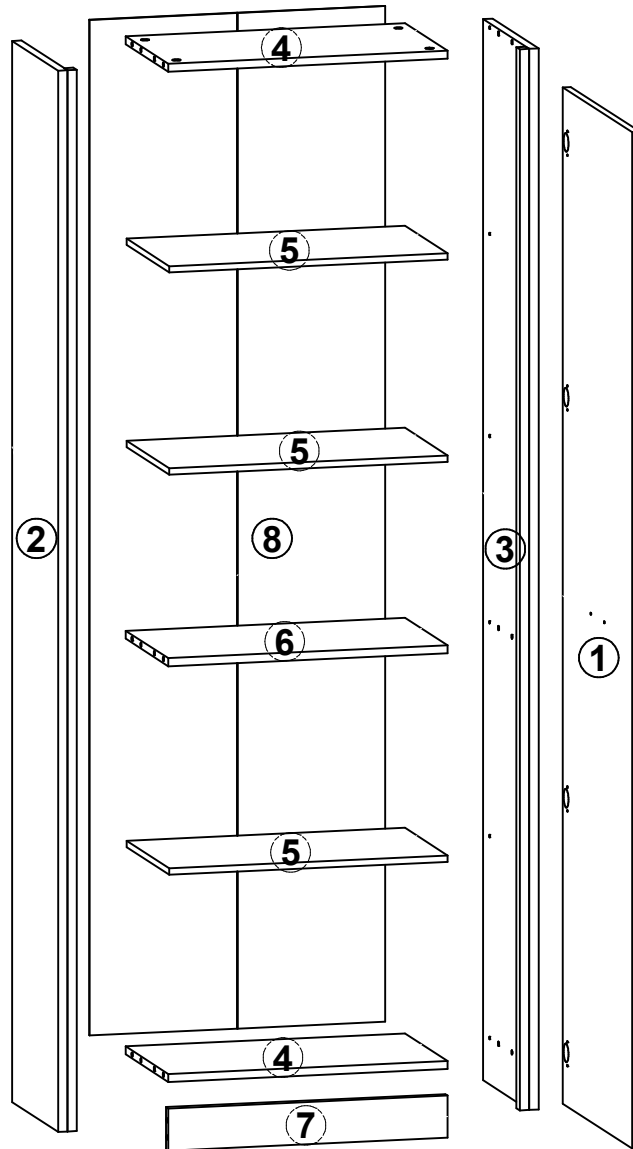
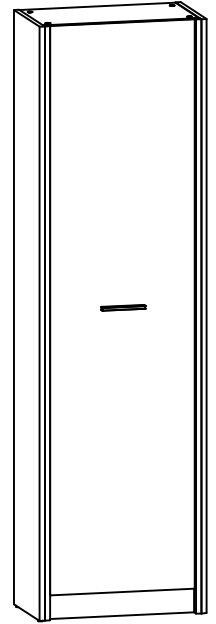
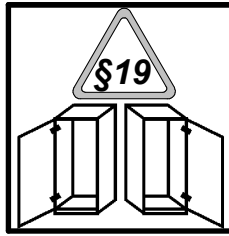


SETI

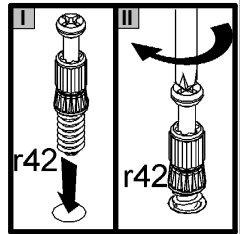
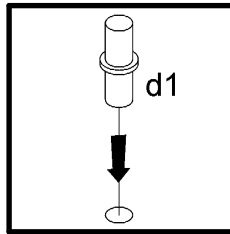
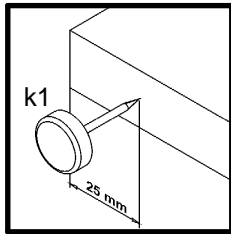
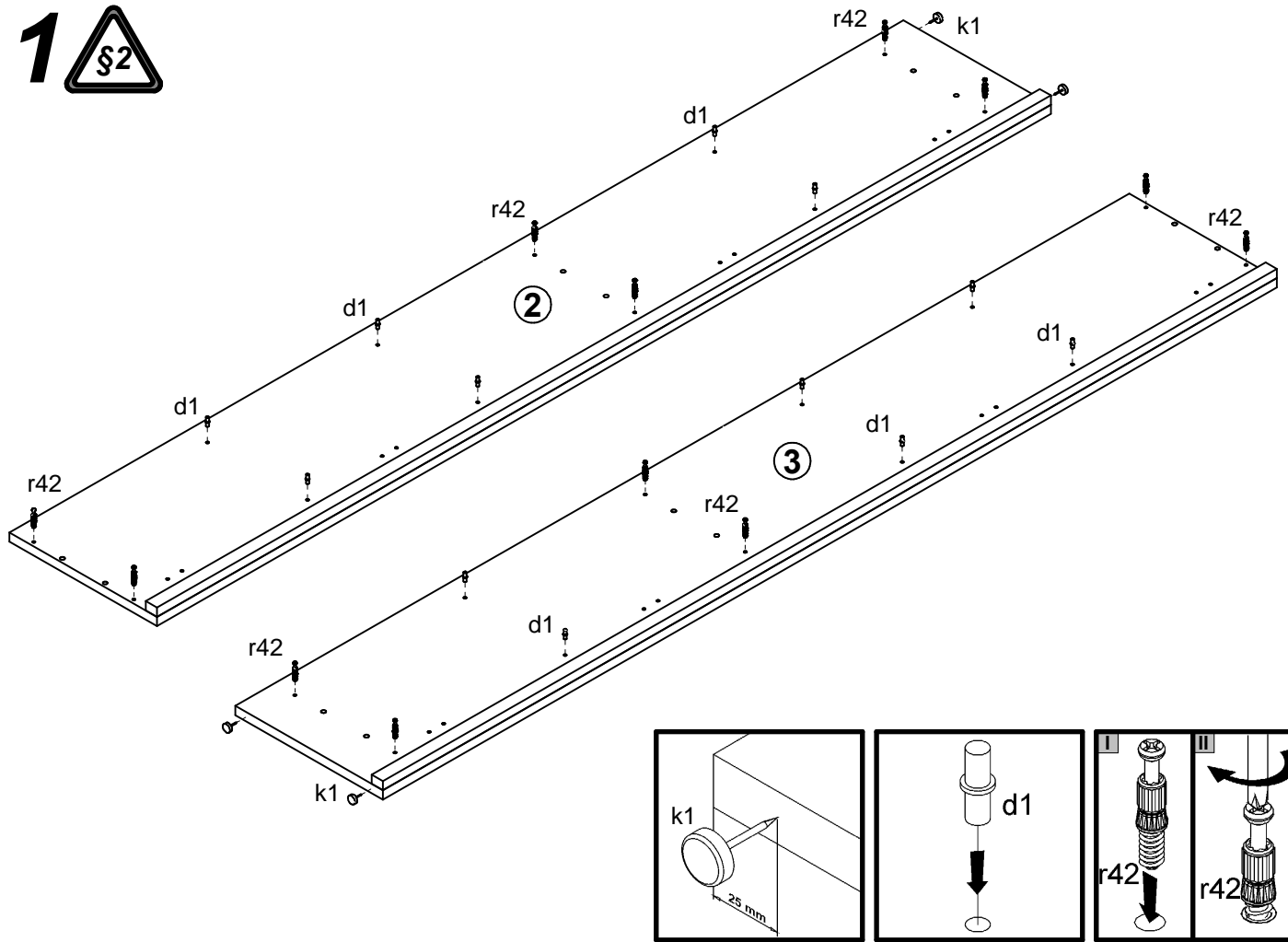
S135-REG1D

A	B	C	D
1	S135-023	1916	495 3/3
2	S135-155	2000	330 1/3
3	S135-156	2000	330 1/3
4	S135-354	536	305 2/3
5	S135-359	534	305 2/3
6	S135-366	536	305 2/3
7	S135-425	536	80 2/3
8	S135-929	1914	567 1/3

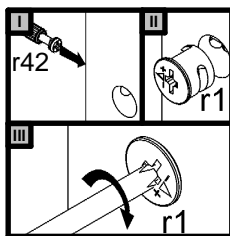
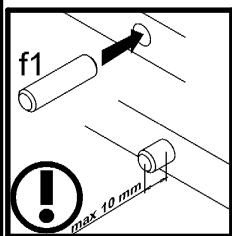
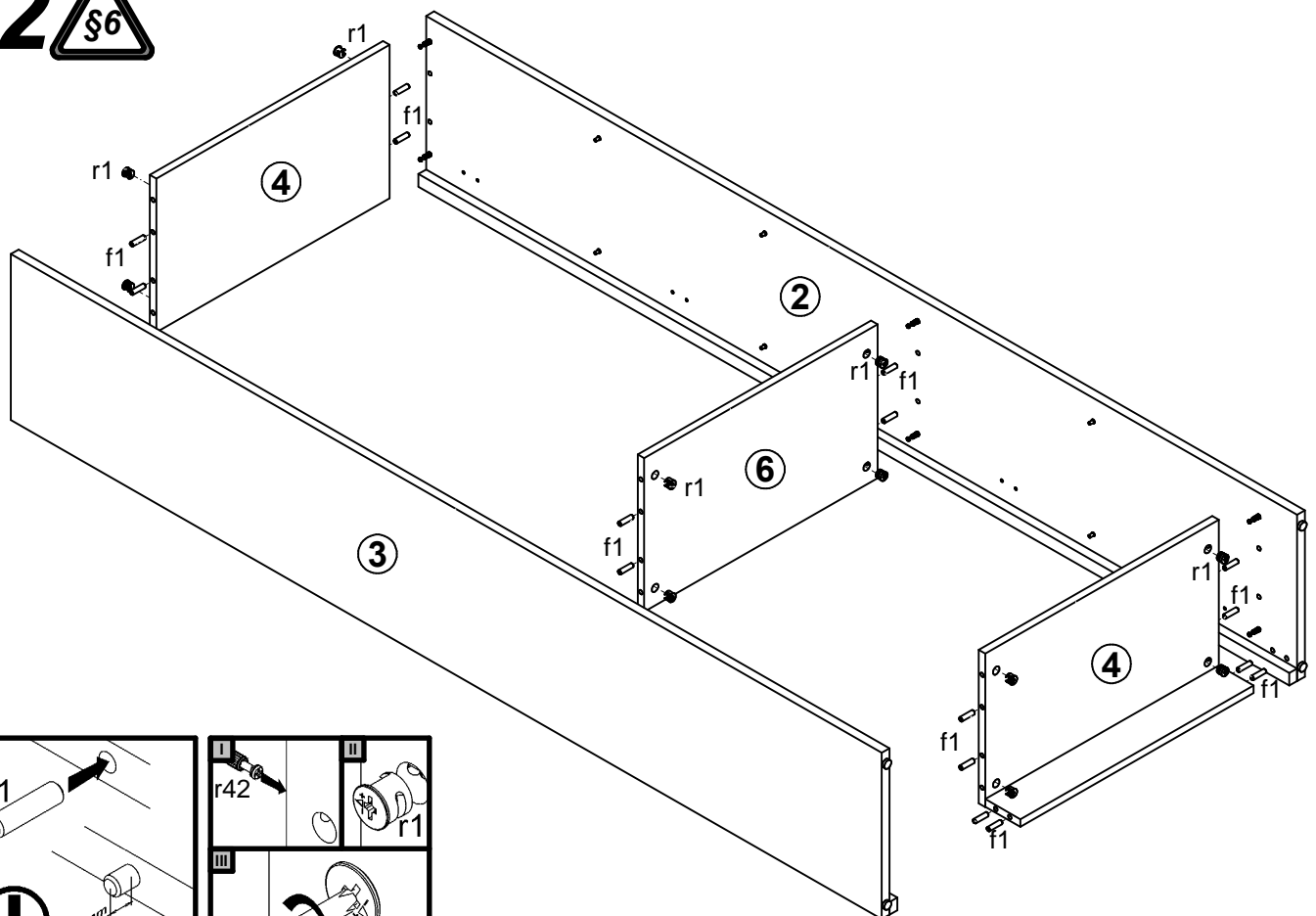


4x a43	4x b18	1x c296/3	12x d1	8x e2	16x f1	4x k1	60x l1	2x p50
8x p51	12x r1	12x r42	4x s2	1x n26/1	1x p38			

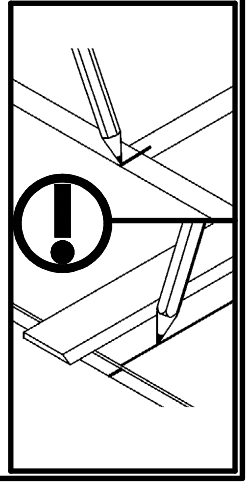
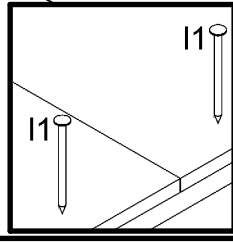
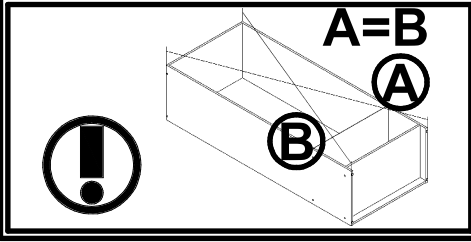
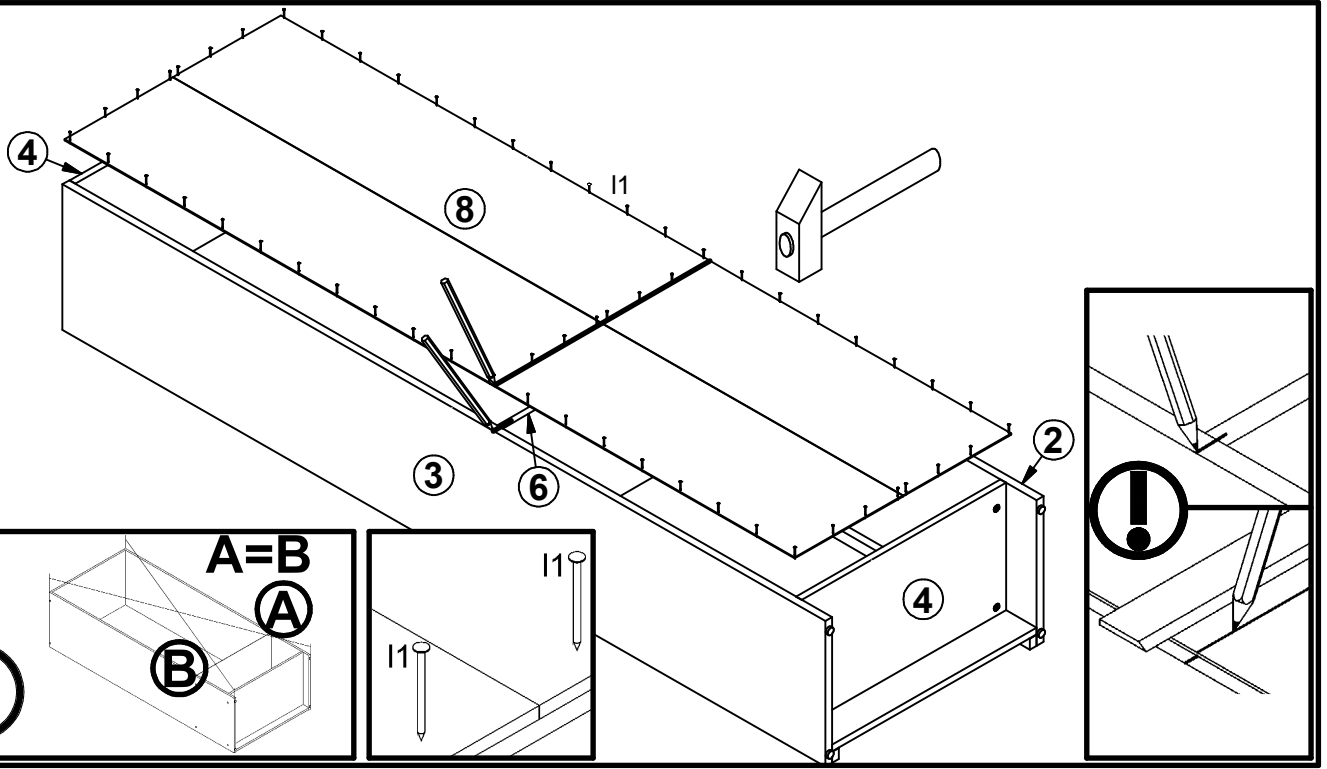
1



2



3



4

