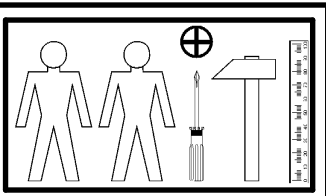
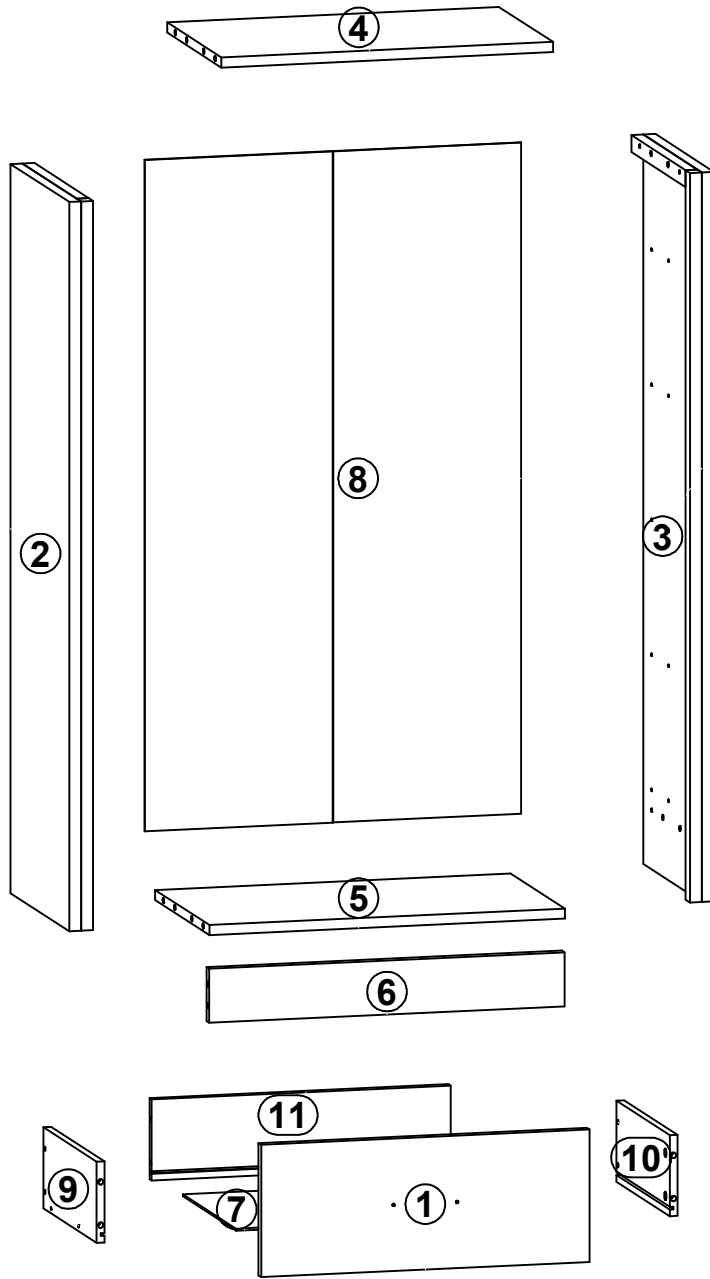
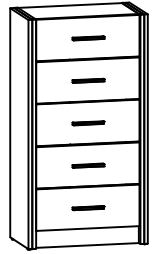
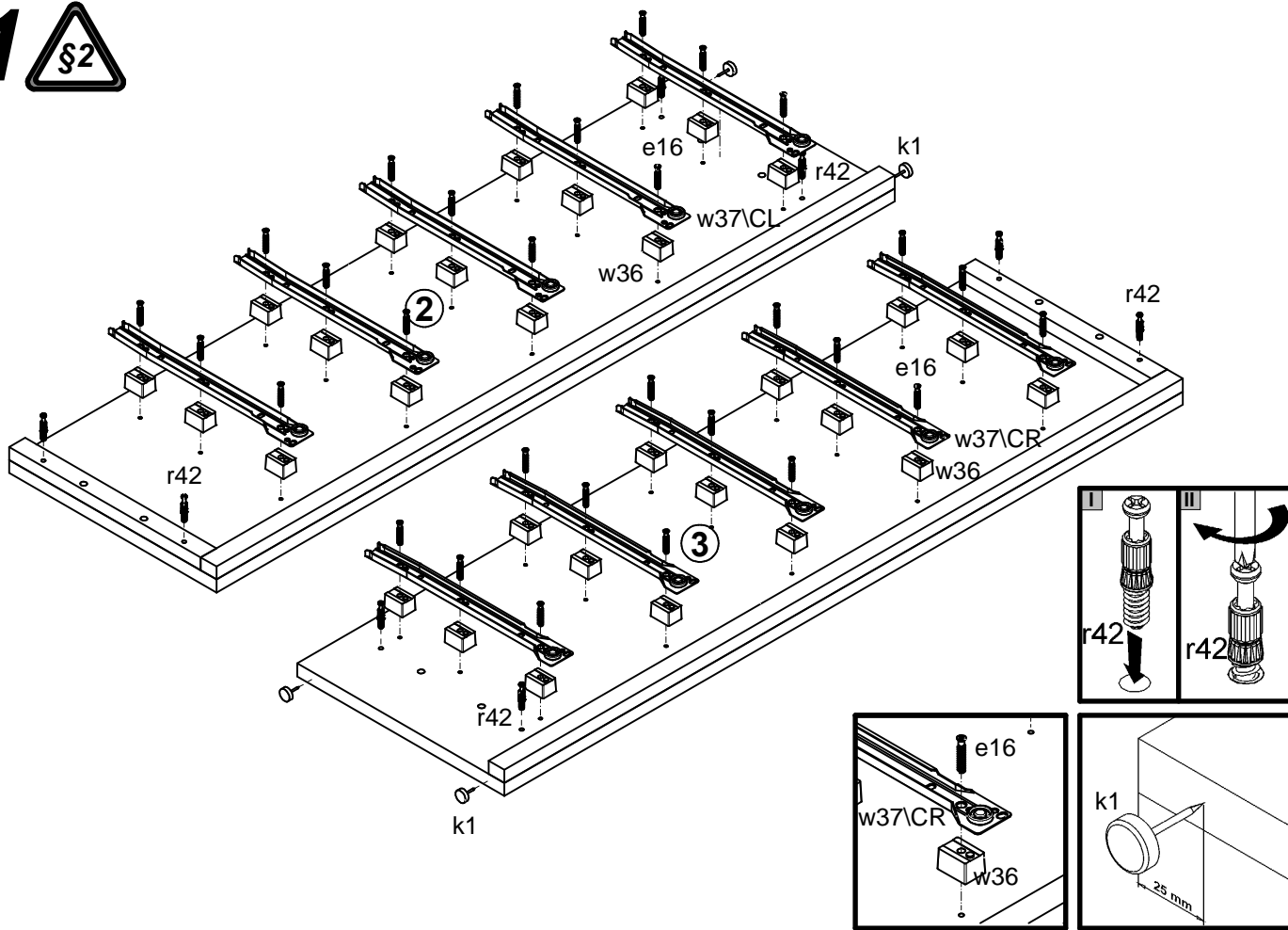


A	B	C	D	
1	S135-022	495	196	2/2
2	S135-151	1080	330	1/2
3	S135-152	1080	330	1/2
4	S135-307	500	305	1/2
5	S135-354	536	305	1/2
6	S135-425	536	80	1/2
7	S135-925	462	298	1/2
8	S135-926	994	567	1/2
9	ZS2-507	300	120	1/2
10	ZS2-508	300	120	1/2
11	ZS2-5548	451	120	1/2

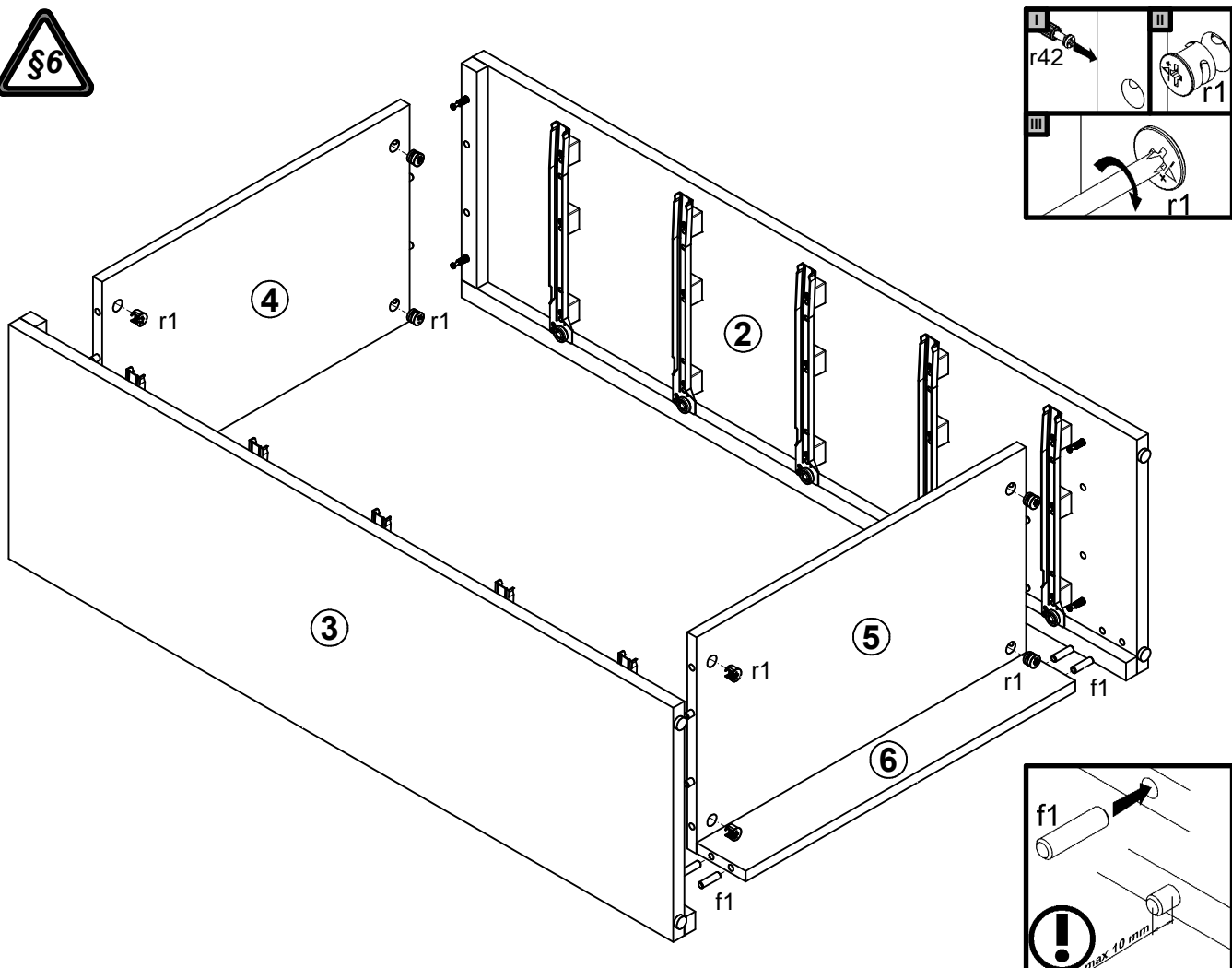


5x L=146/96 c296\3	30x φ6x30 mm e16	20x φ5x9 mm e19	12x φ8x30 mm f1	20x φ6.5x40 mm f25	4x k1	35x l1	10x φ2.9x24 mm p50	8x φ1.5x12mm #16 r1
20x φ12x10.5mm #12 r15	28x r42	30x h=18 mm w36	5x 300 mm w37\CL	5x 300 mm w37\CR	5x 300 mm w37\DL	5x 300 mm w37\DR	1x n26\1	1x φ3.5x16 mm p38

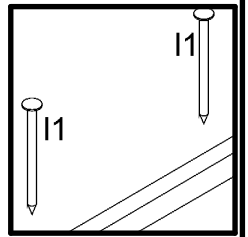
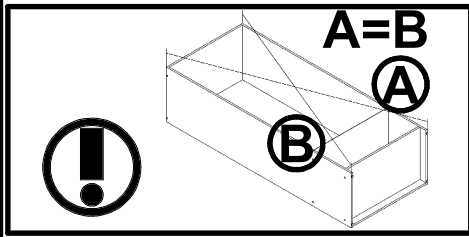
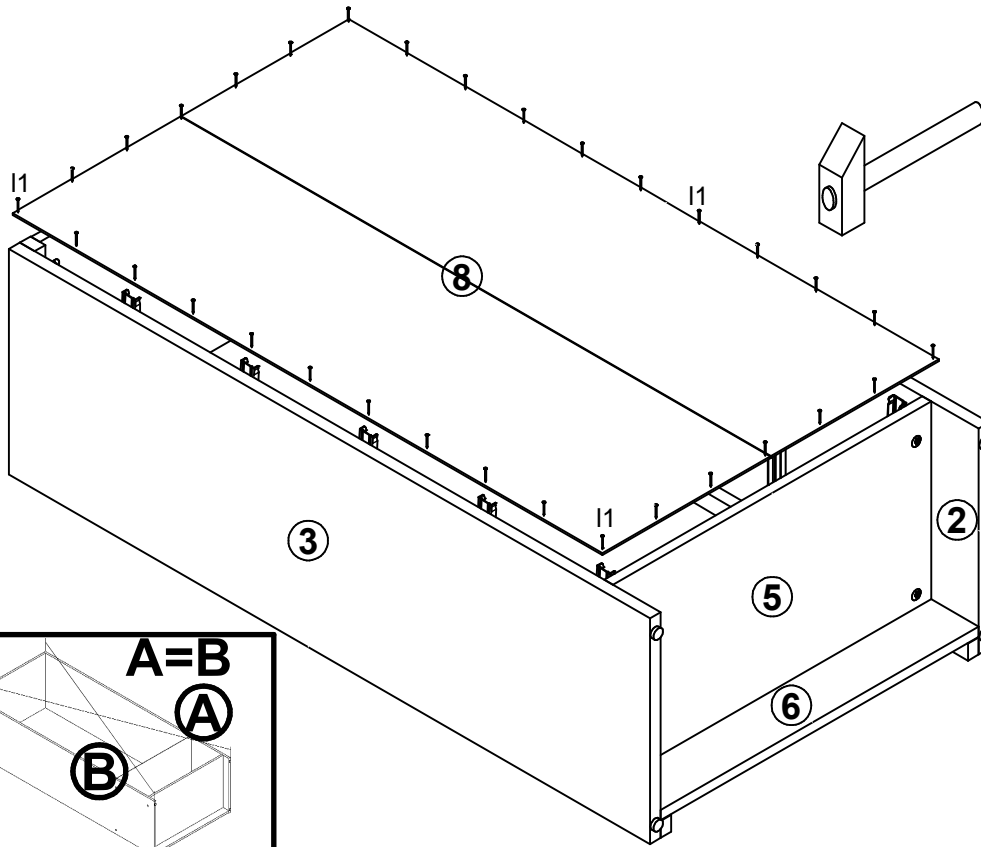
1



2



3



4



I

