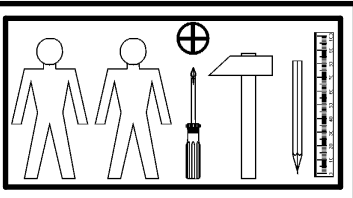
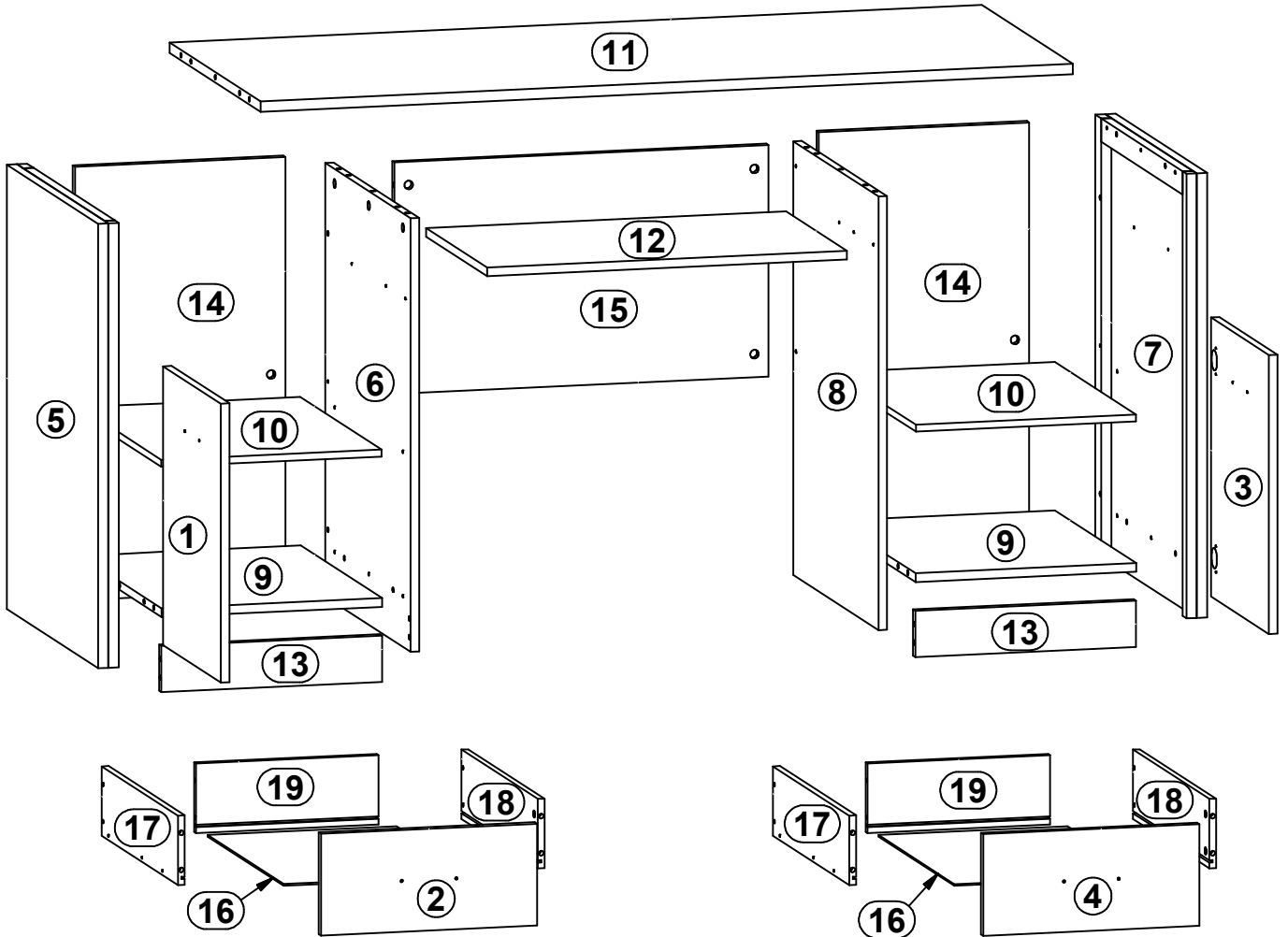
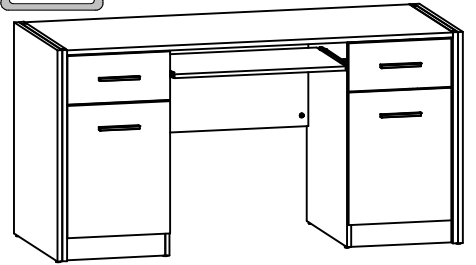


SETI

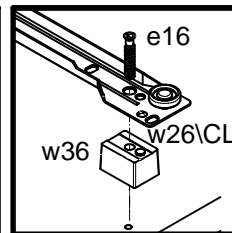
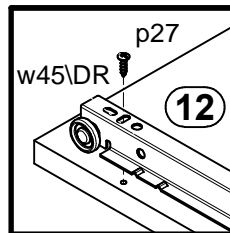
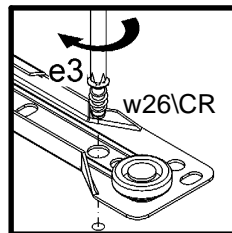
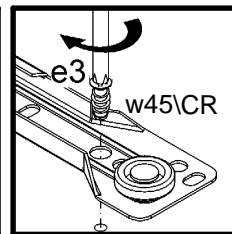
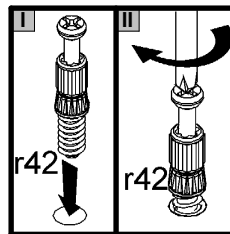
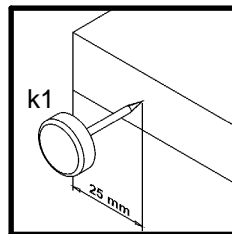
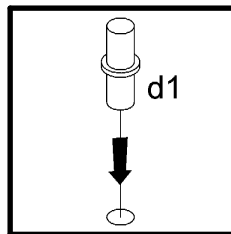
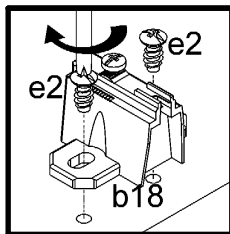
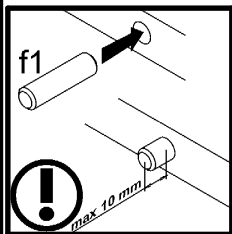
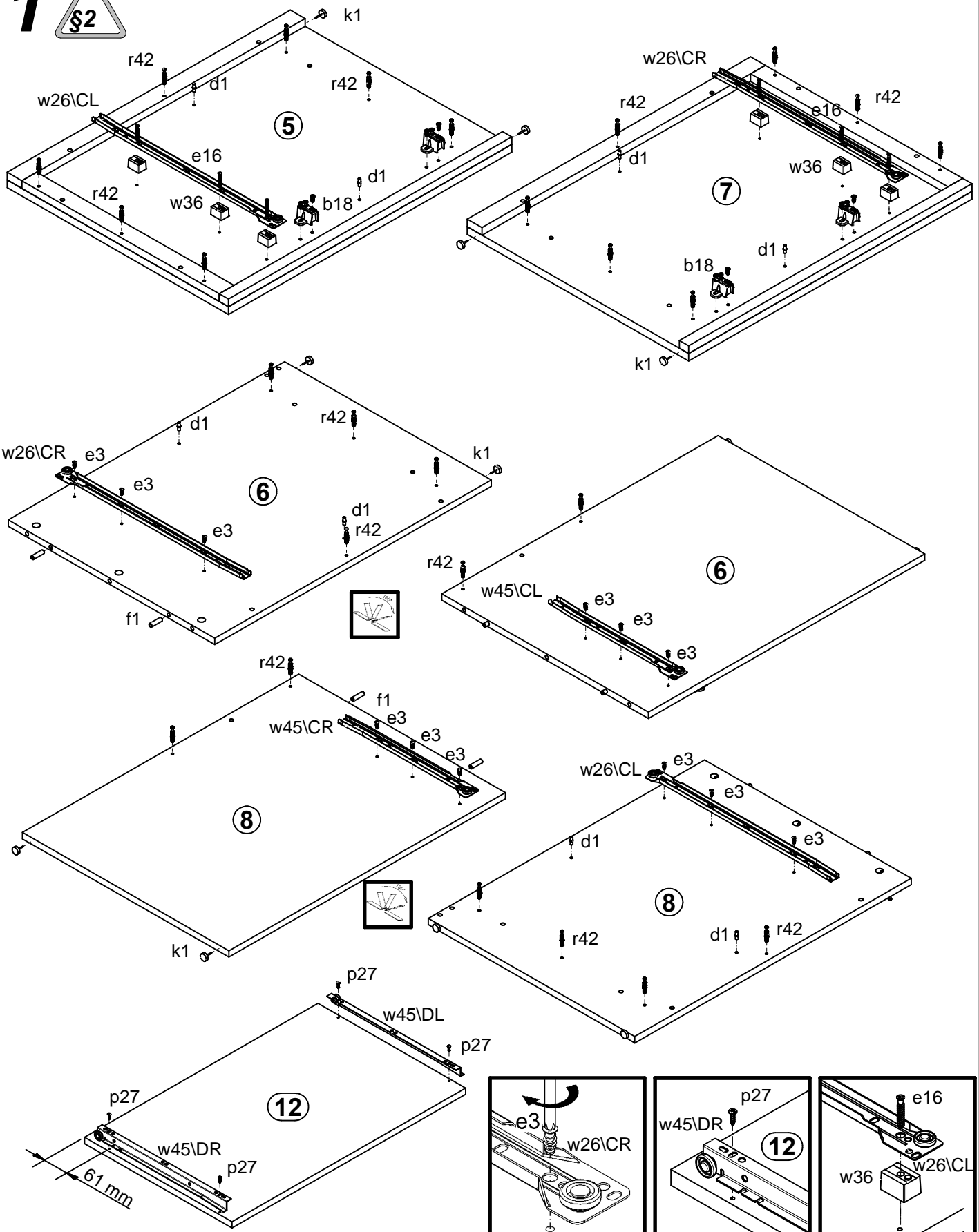
S135-BIU2D2S

A	B	C	D	A	B	C	D		
1	S135-007	380	482	3/3	11	S135-349	1428	598	2/3
2	S135-008	380	176	3/3	12	S135-350	633	400	1/3
3	S135-019	380	482	3/3	13	S135-405	388	80	1/3
4	S135-020	380	176	3/3	14	S135-406	749	370	1/3
5	S135-112	768	600	1/3	15	S135-422	658	400	1/3
6	S135-114	749	560	2/3	16	S135-910	332	498	1/3
7	S135-147	768	600	1/3	17	ZS2-509	500	120	2/3
8	S135-148	749	560	2/3	18	ZS2-510	500	120	2/3
9	S135-319	388	534	2/3	19	ZS2-5559	321	120	2/3
10	S135-320	387	534	2/3					

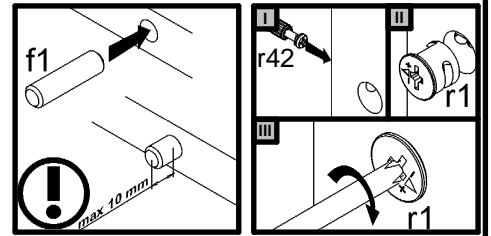
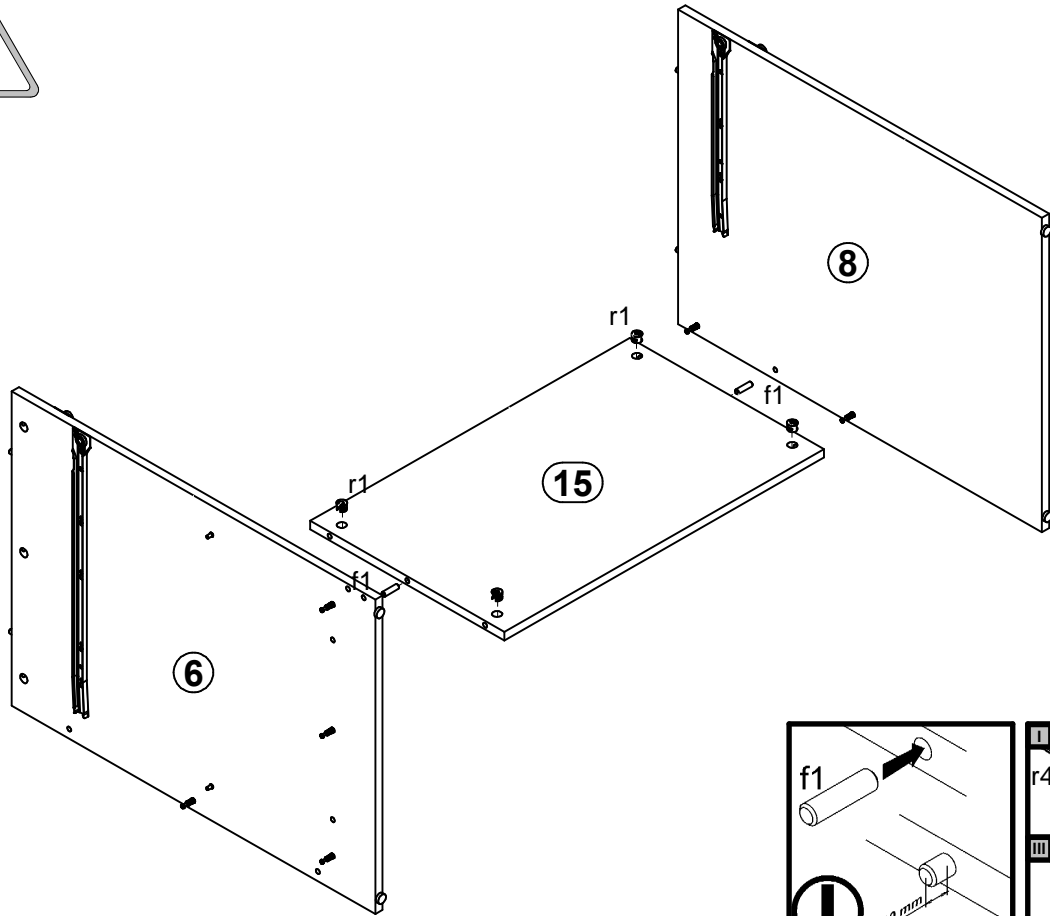


4x a43	4x b18	4x L=146\96 c296\3	8x φ5x17 mm d1	6x φ6x30 mm e16	12x φ5x9 mm e19	8x φ6,3x13 mm e2	12x φ6x13 mm e3	34x φ8x30 mm f1
8x φ6,5x40 mm f25	8x k1	4x φ3,5x13 mm p27	8x φ2,9x24 mm p50	8x φ3,5x15 mm p51	32x φ1,5x12mm #16 r1	8x φ12x10,5mm #12 r15	40x r42	2x 500 mm w26\CL
2x 500 mm w26\CR	2x 500 mm w26\DL	2x 500 mm w26\DR	6x h=18 mm w36	1x 350 mm w45\CL	1x 350 mm w45\CR	1x 350 mm w45\DL	1x 350 mm w45\DR	8x ø16 s2

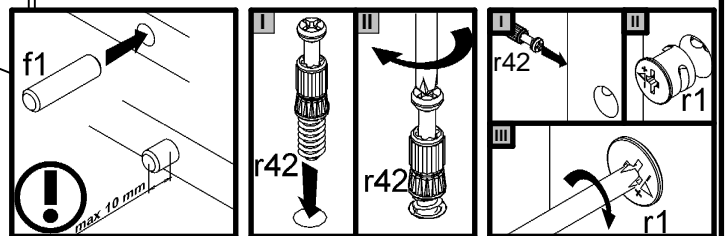
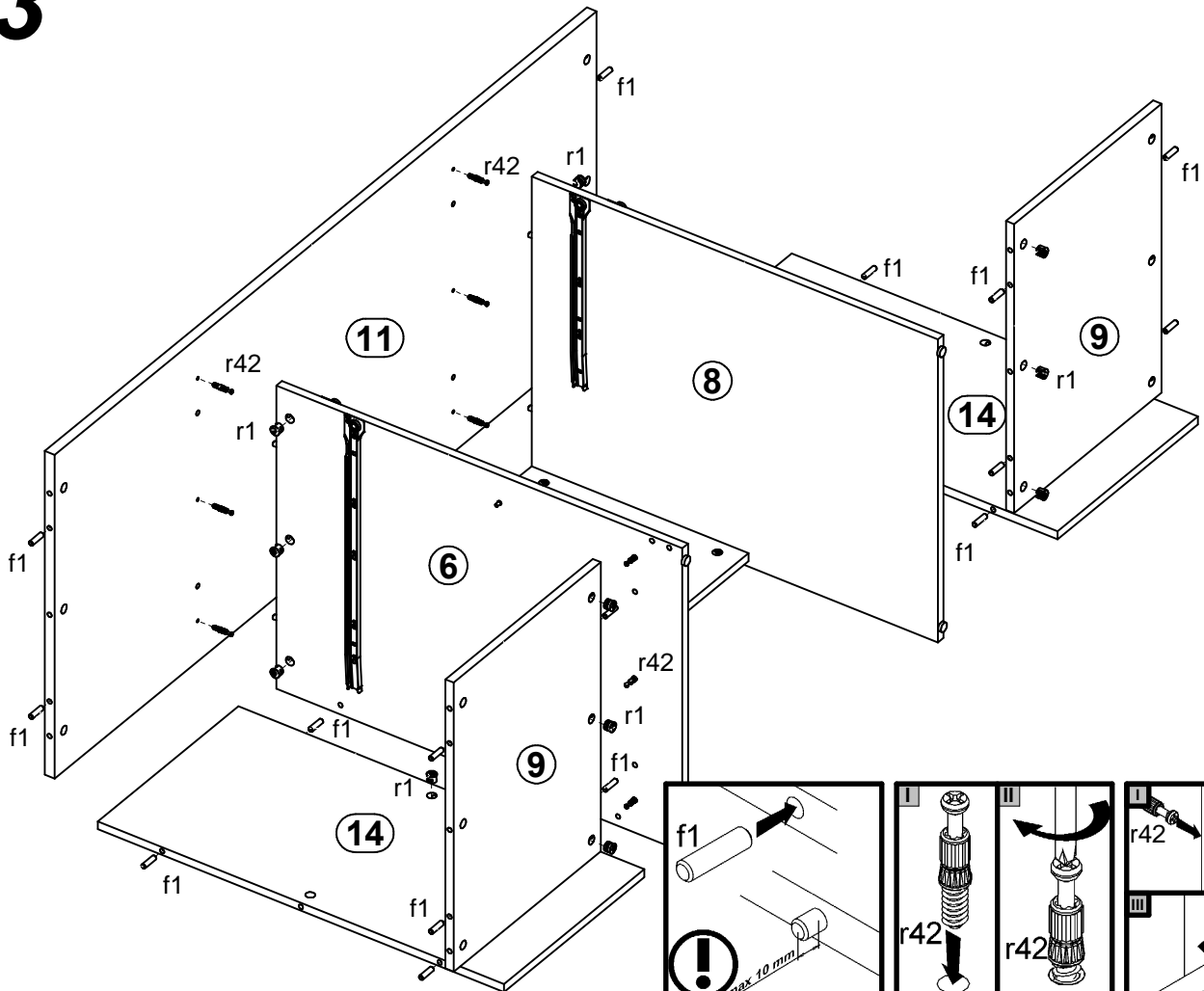
1 



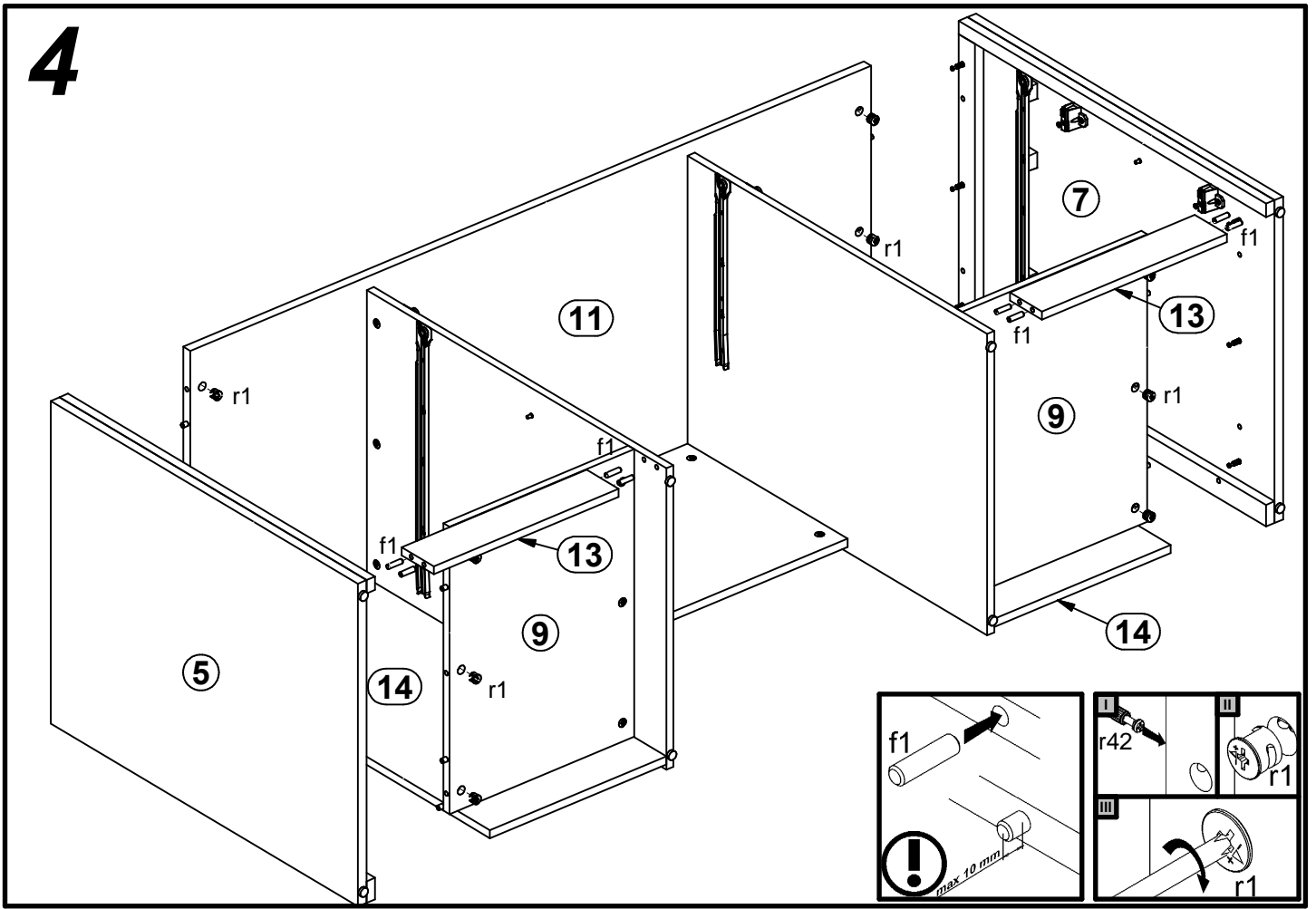
2



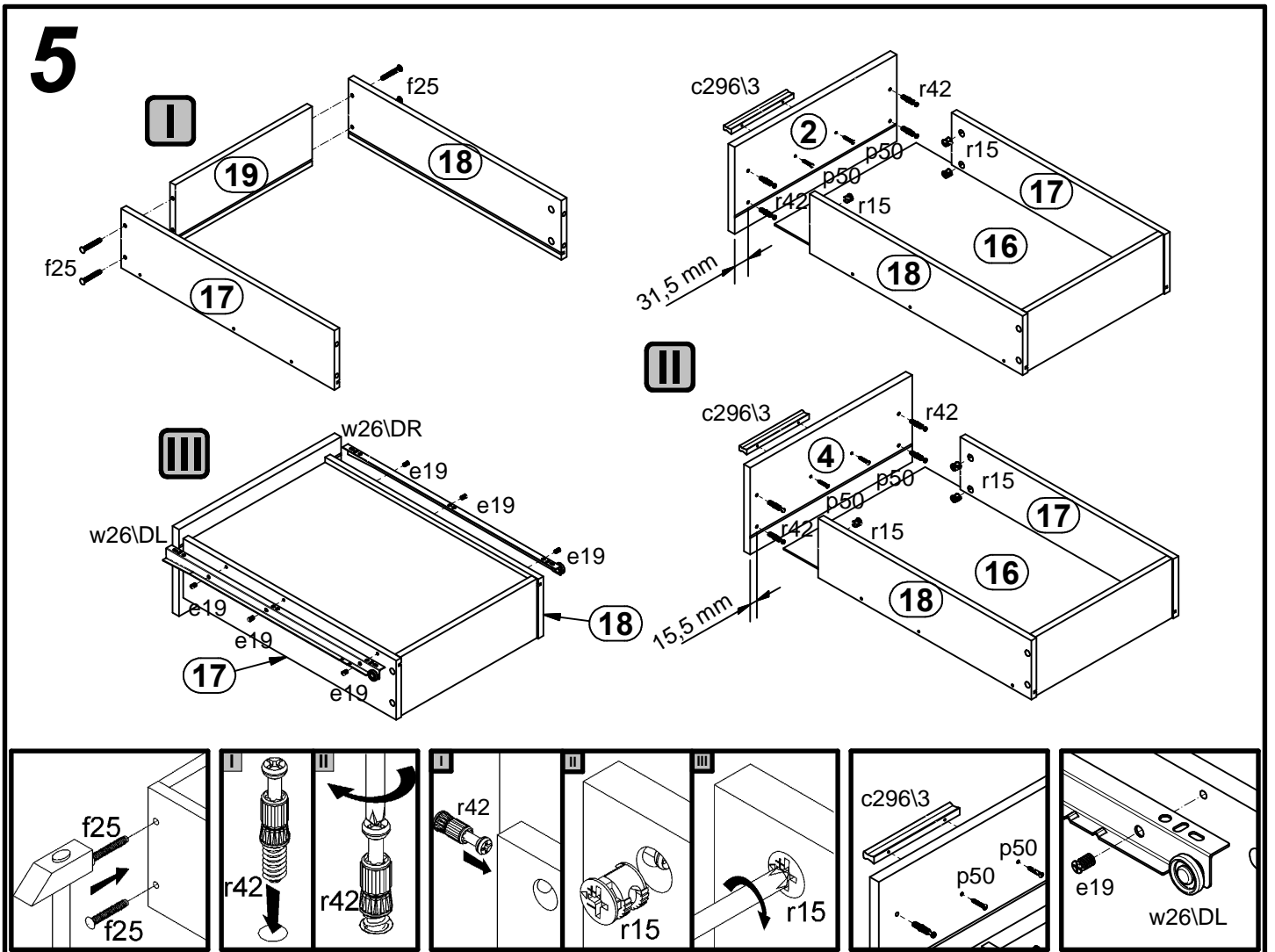
3



4



5



6

