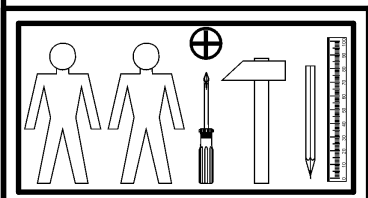
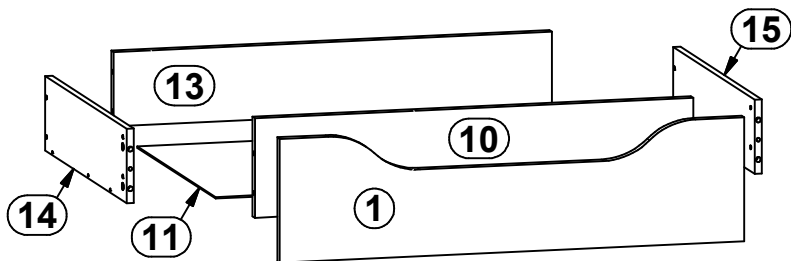
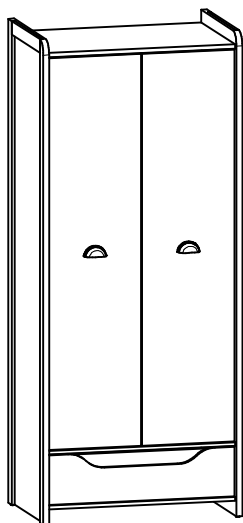
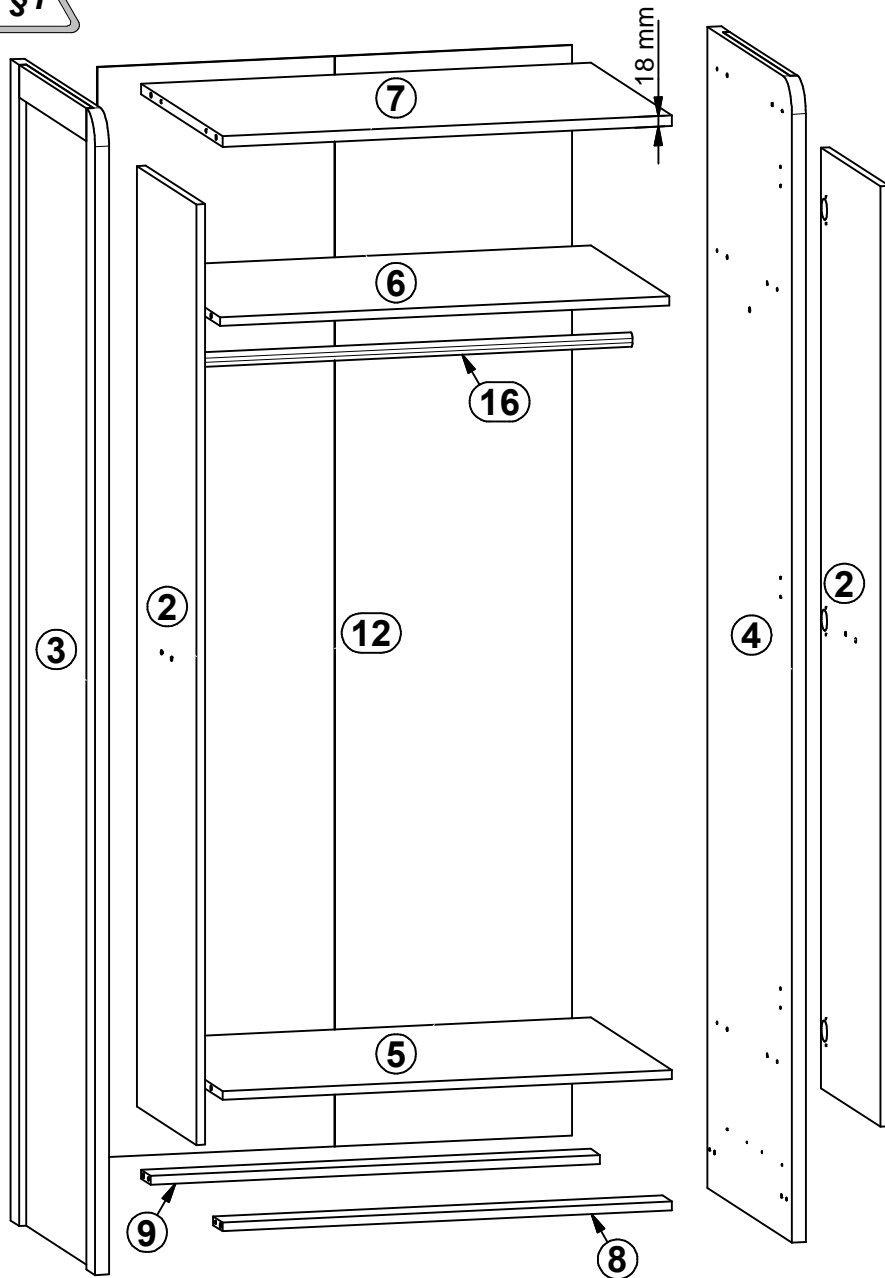


RUPI

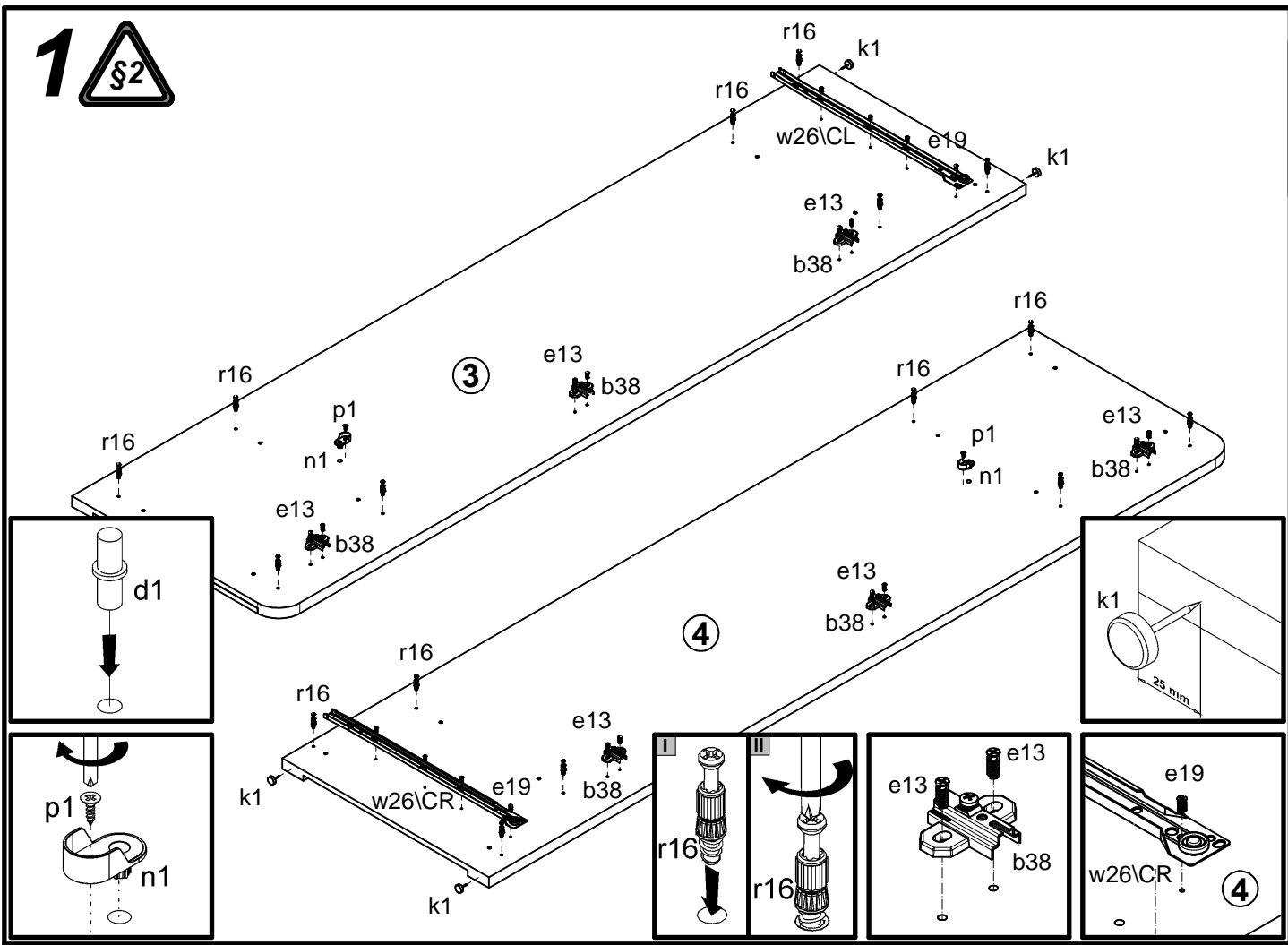
S303-SZF2D1S

A	B	C	D
1	S193-002	764	200
2	S303-009	1583	380
3	S193-107	1954	540
4	S193-108	1954	540
5	S193-303	770	520
6	S193-305	770	504
7	S193-317	770	520
8	S193-401	770	60
9	S193-402	770	60
10	S303-403	721	161
11	S193-905	743	480
12	S193-908	1835	813
13	ZS3-5554	721	120
14	ZT5-505	500	120
15	ZT5-506	500	120
16	dr-765	765	22

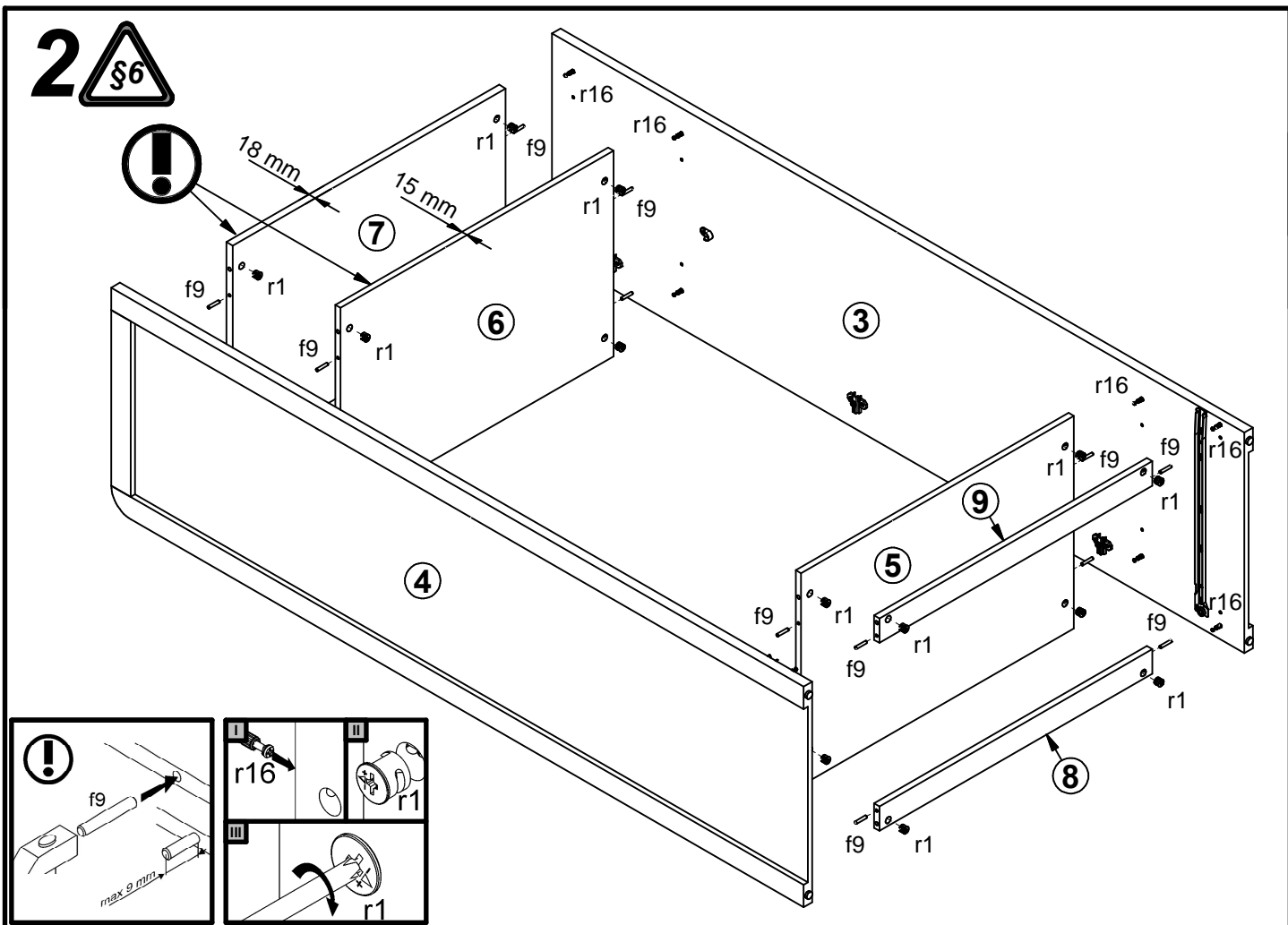


6x a43	6x b38	2x c363	12x e13 Ø5.5x13 mm	14x e19 Ø5x9 mm	8x f25 Ø6.5x40 mm	18x f9 Ø6x30 mm	4x p129 Ø4x16 mm	4x k1
70x l1	2x n1	2x p1 Ø3.5x13 mm	14x p38 Ø3.5x16 mm	12x p51 Ø3.5x15 mm	16x r1 Ø15x12 mm #16	4x r15 Ø12x10.5 mm #12	20x r16	8x s2 Ø16
1x w26\CR 500 mm	1x w26\CL 500 mm	1x w26\DL 500 mm	1x w26\DR 500 mm	1x n26\1	1x p38 Ø3.5x16 mm			

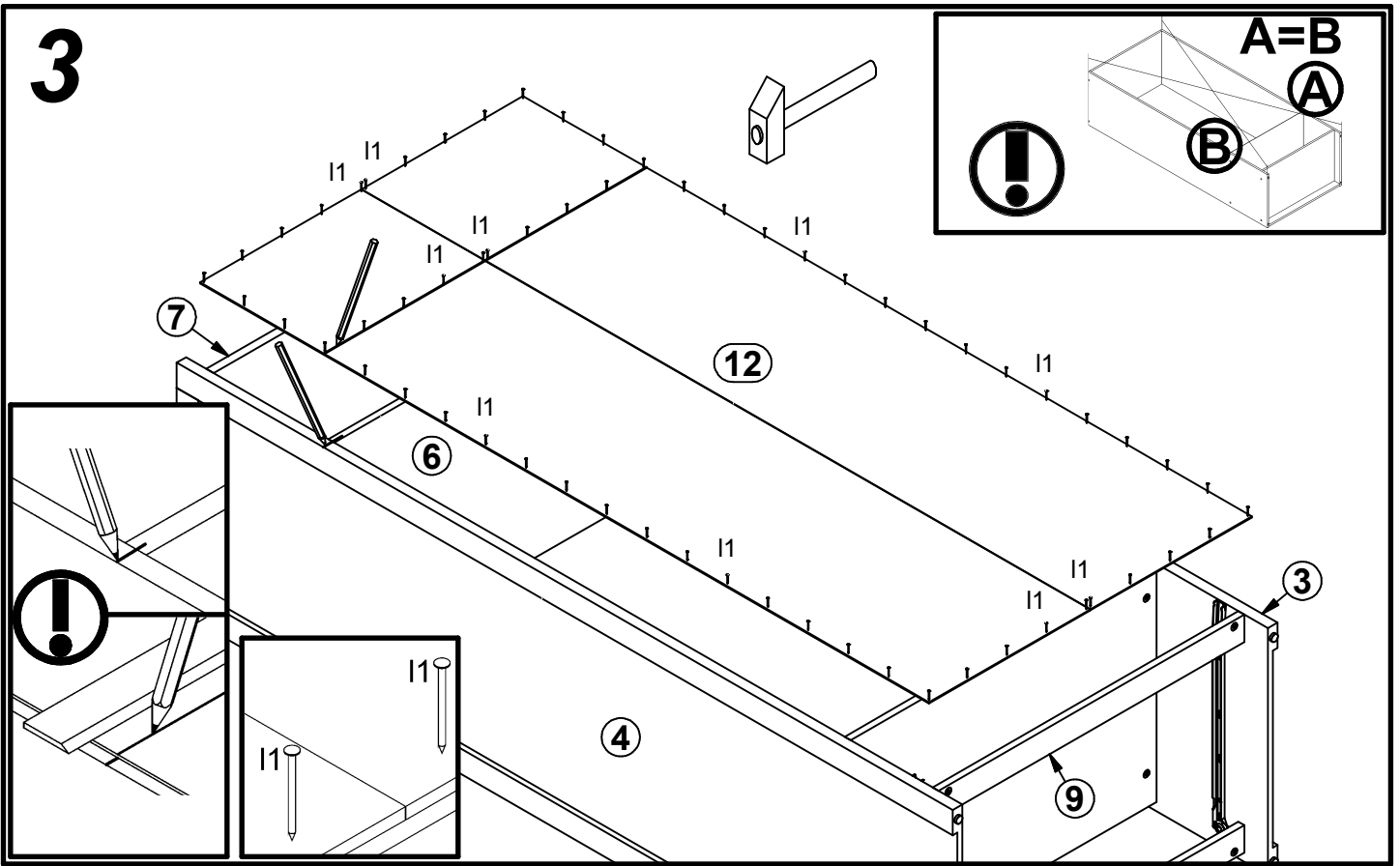
1 



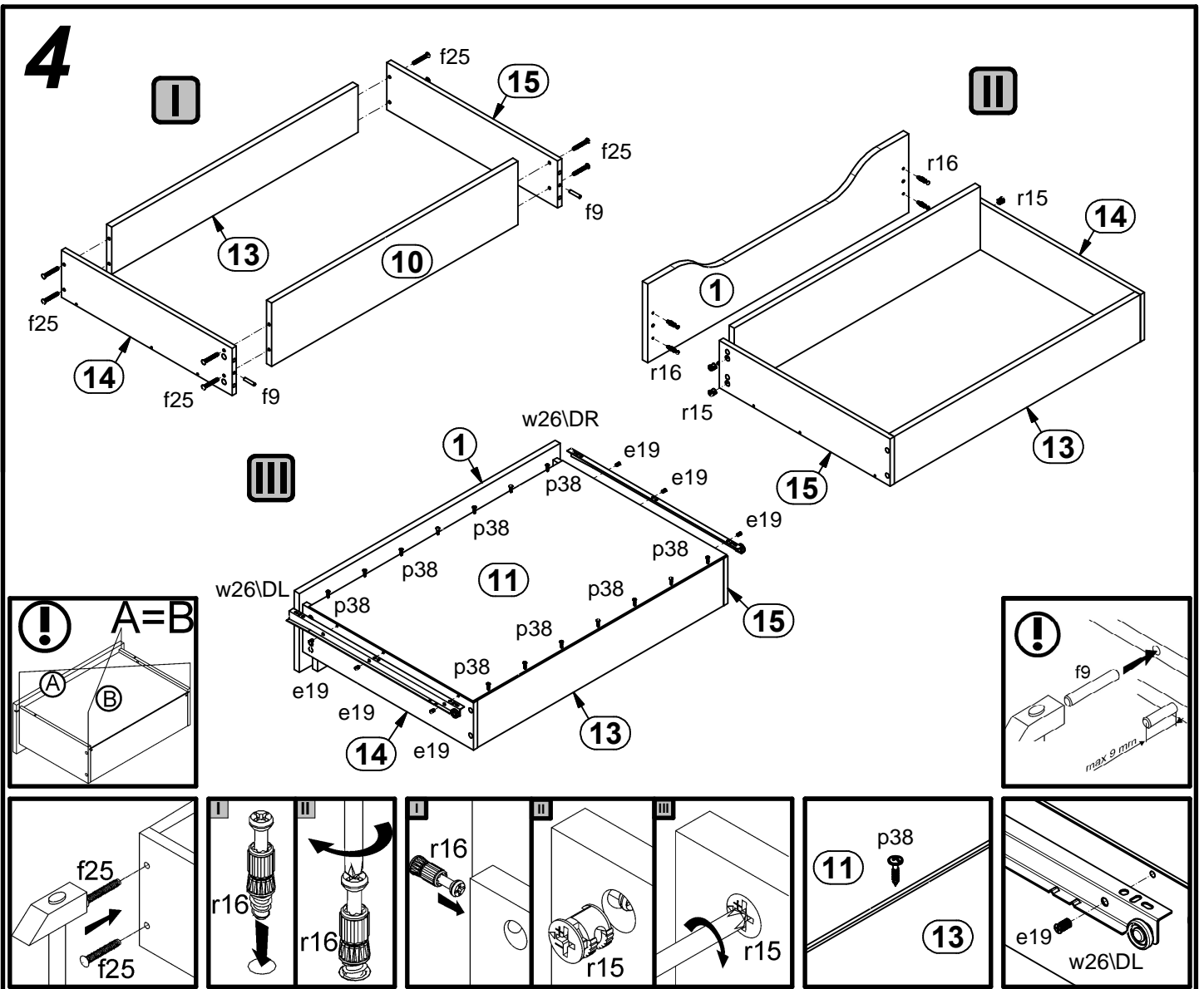
2 



3



4



5

