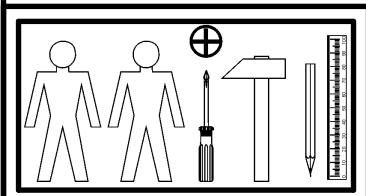
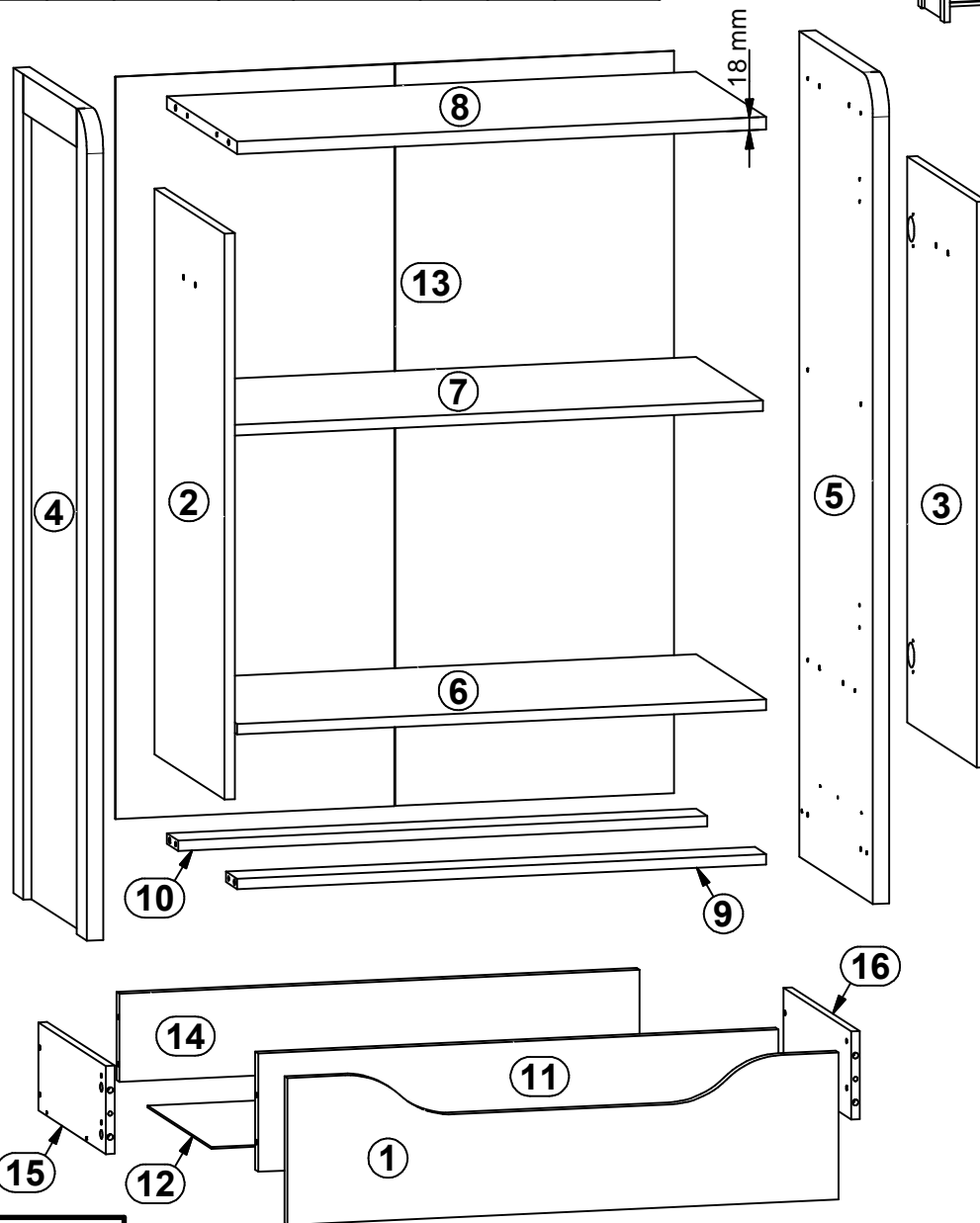
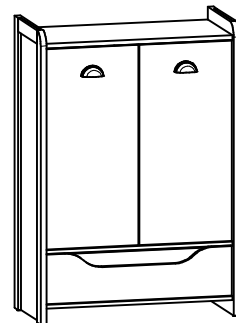


RUPI

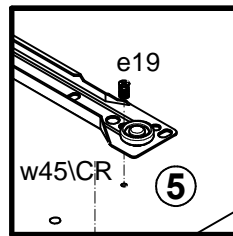
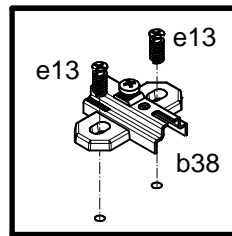
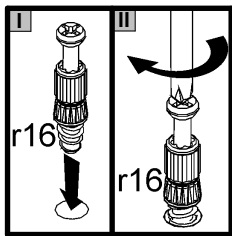
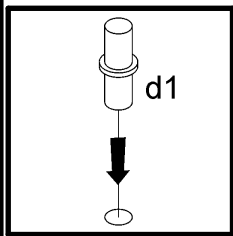
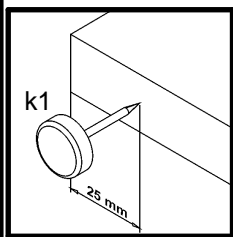
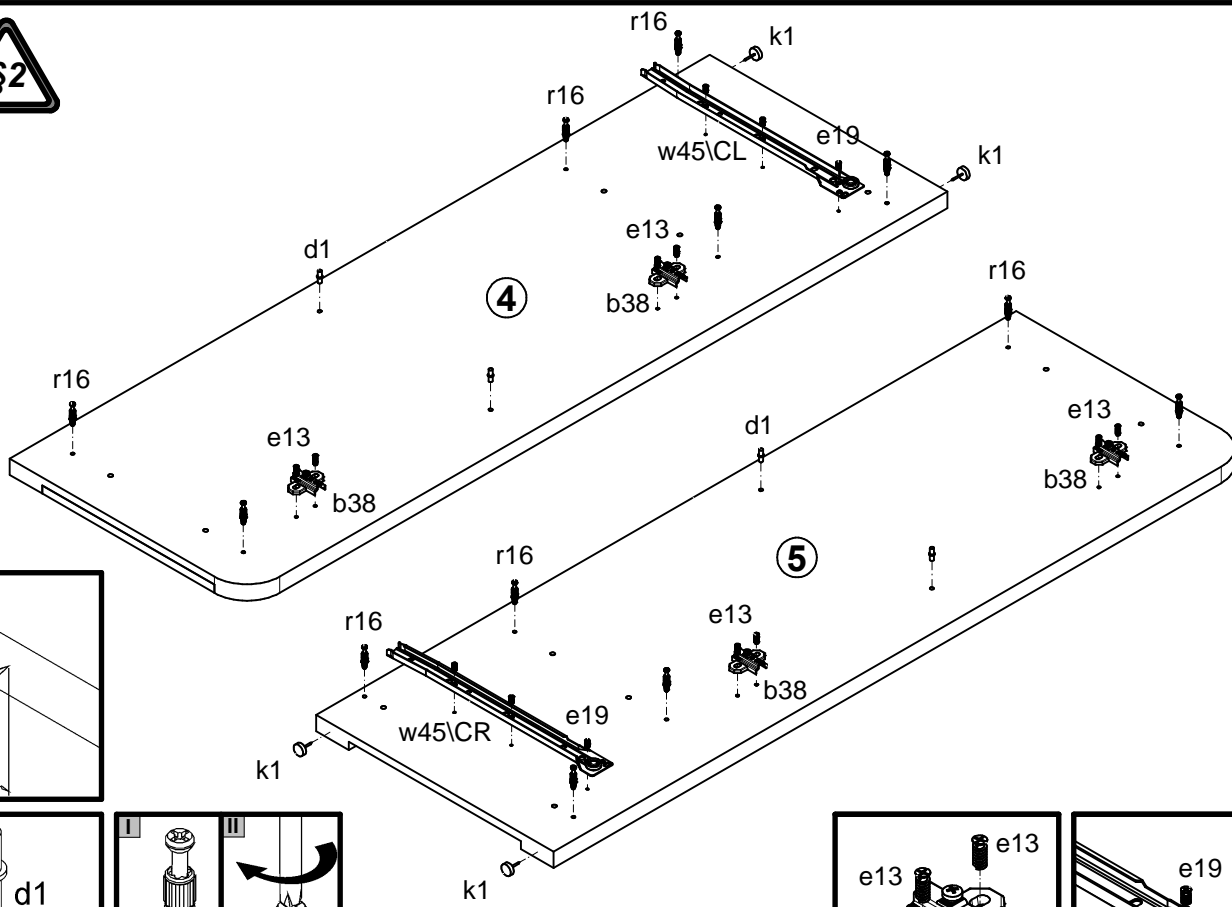
S303-KOM2D1S/120

A	B	C	D	A	B	C	D		
1	S193-002	764	200	4/4	9	S193-401	770	60	2/4
2	S303-014	809	380	4/4	10	S193-402	770	60	2/4
3	S303-015	809	380	4/4	11	S193-403	721	161	4/4
4	S193-115	1180	400	1/4	12	S193-903	743	330	2/4
5	S193-116	1180	400	1/4	13	S193-910	1061	813	1/4
6	S193-301	770	380	2/4	14	ZS3-5554	721	120	2/4
7	S193-310	769	364	2/4	15	ZT5-501	350	120	1/4
8	S193-316	770	380	2/4	16	ZT5-502	350	120	1/4

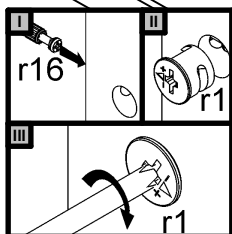
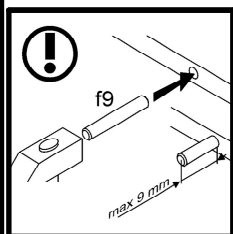
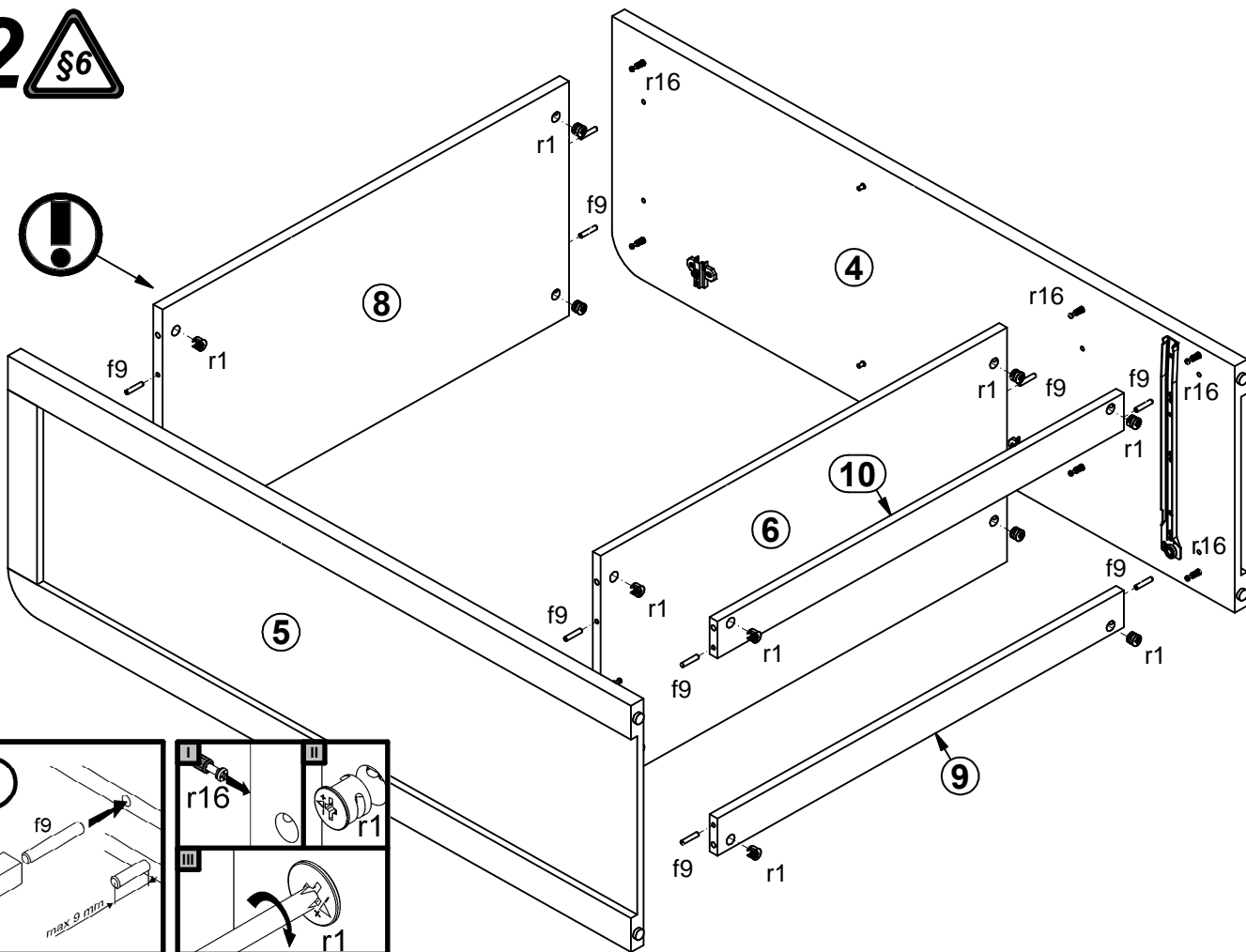


4x a43	4x b38	2x c363	4x Ø5x17 mm d1	8x Ø5.5x13 mm e13	10x Ø5x9 mm e19	8x Ø6.5x40 mm f25	14x Ø6x30 mm f9	4x Ø4x16 mm p129	
4x k1	45x l1	14x Ø3.5x16 mm p38	8x Ø3.5x15 mm p51	12x Ø15x12 mm #16 r1	4x Ø12x10.5 mm #12 r15	16x r16	1x 350 mm w45\CL	1x 350 mm w45\CR	
1x 350 mm w45\DL	1x 350 mm w45\DR	1x n26\1	1x Ø3.5x16 mm p38						

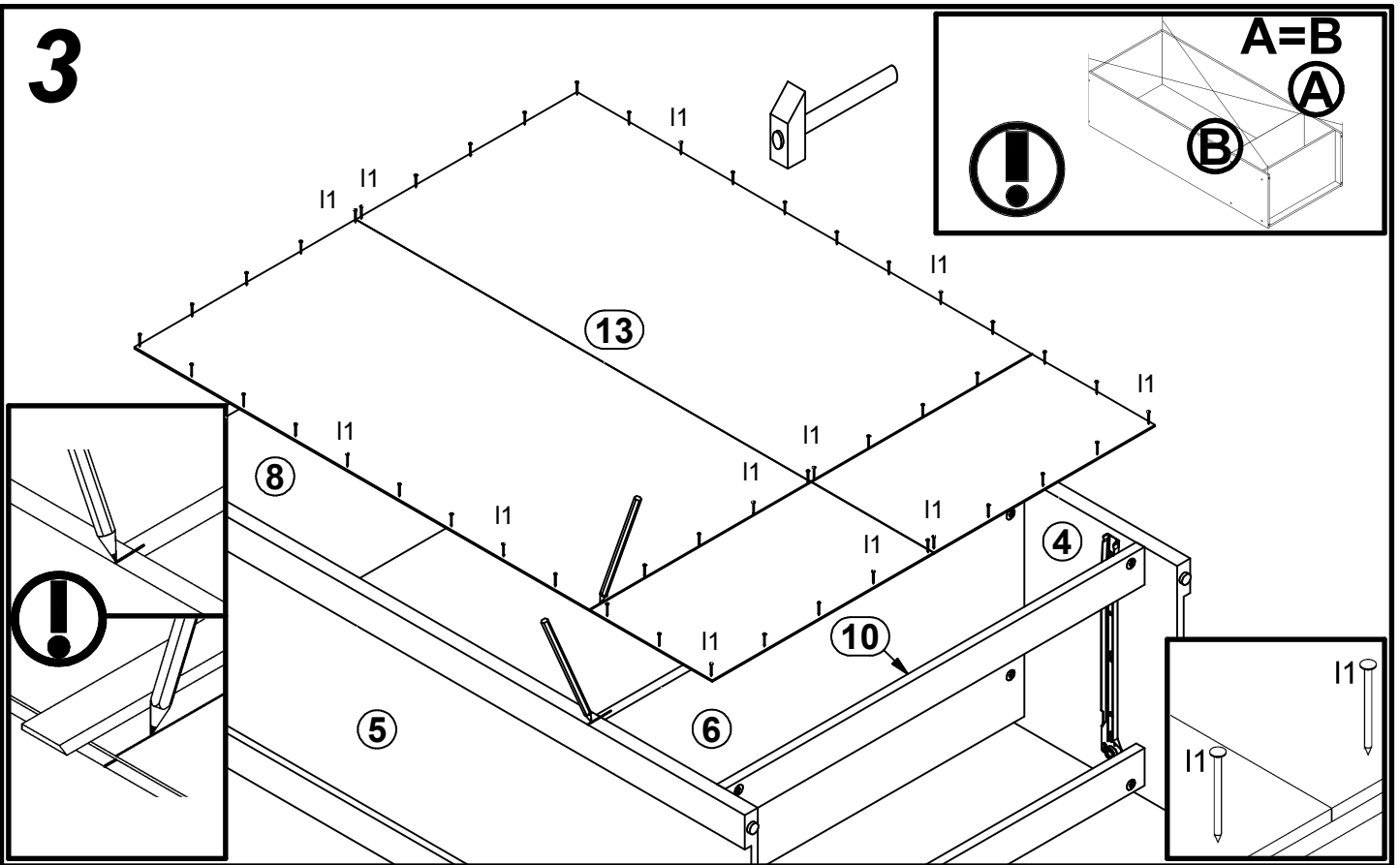
1



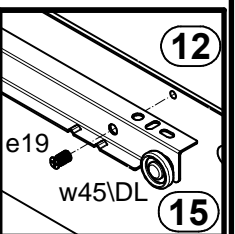
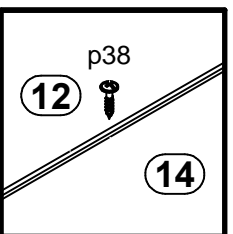
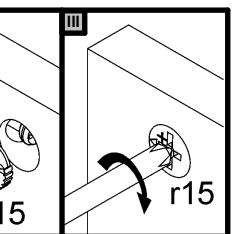
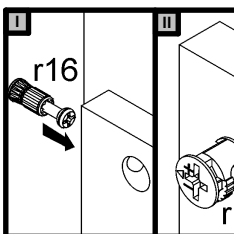
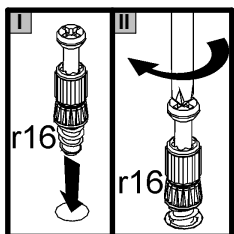
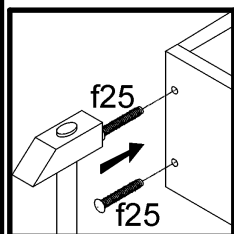
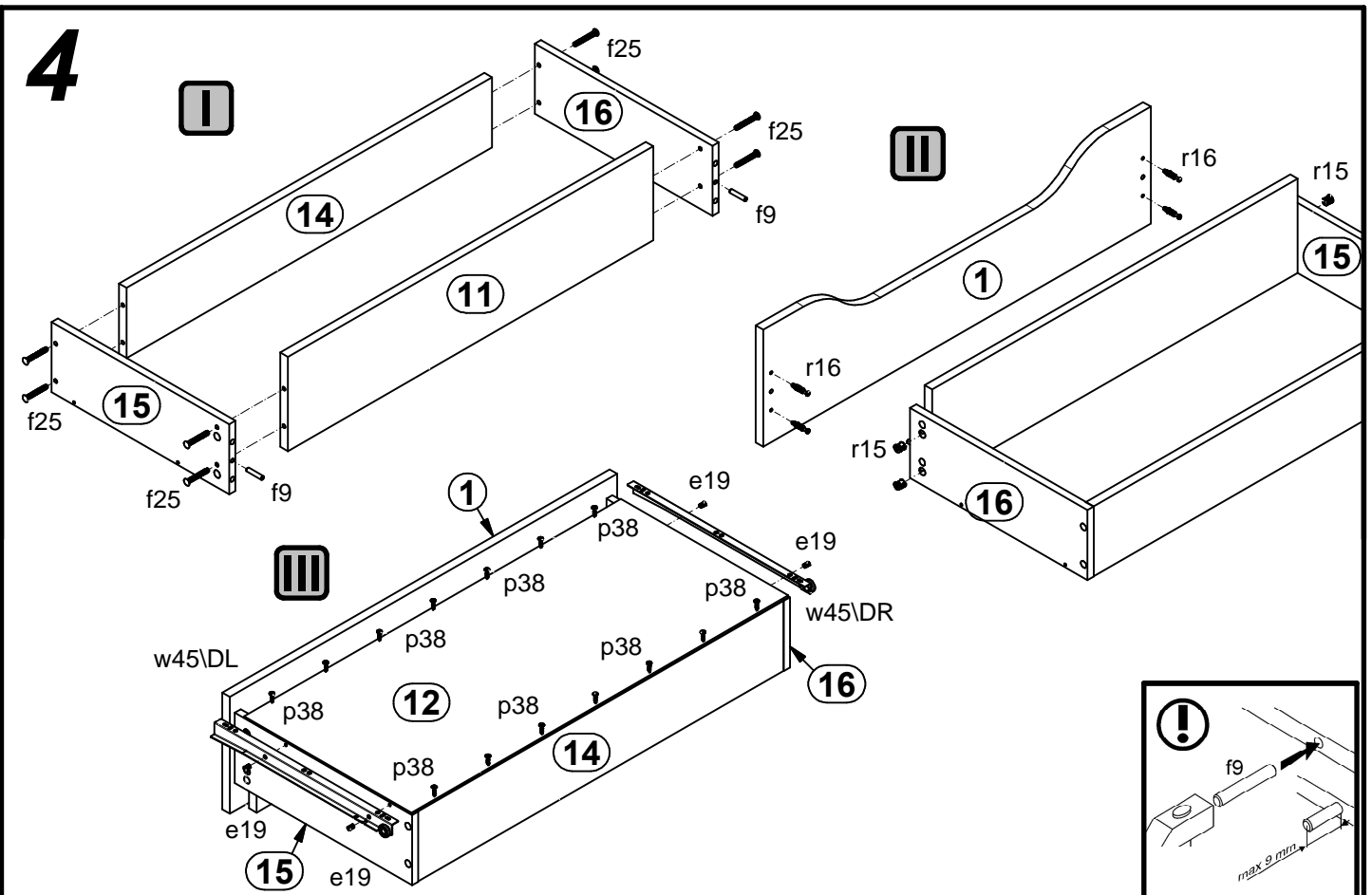
2



3



4



5

