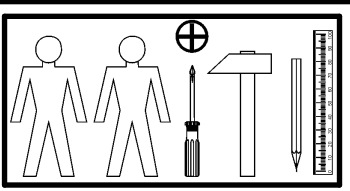
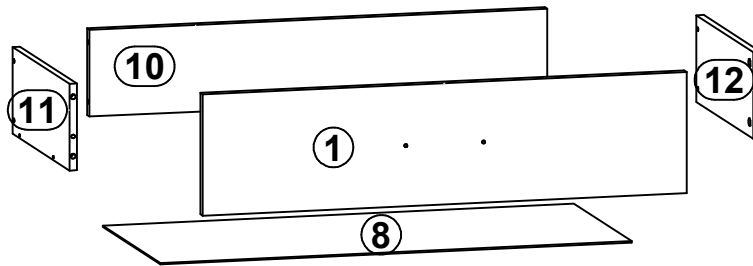
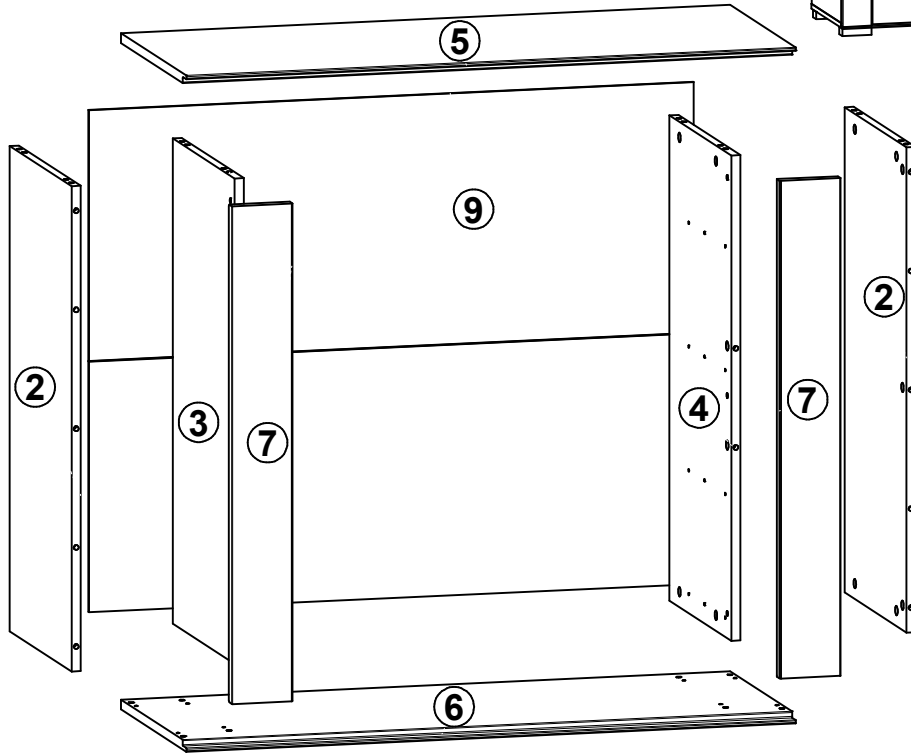
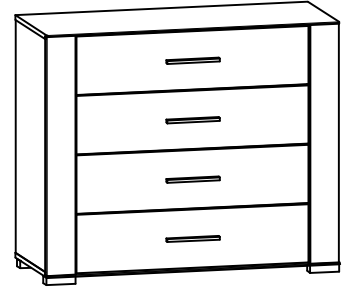
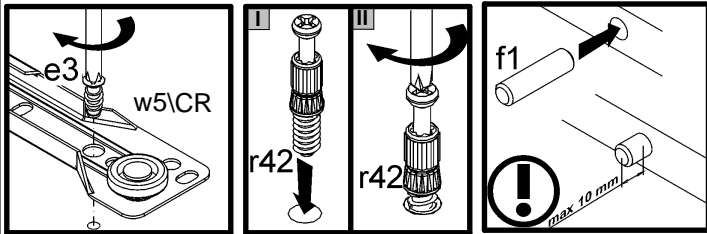
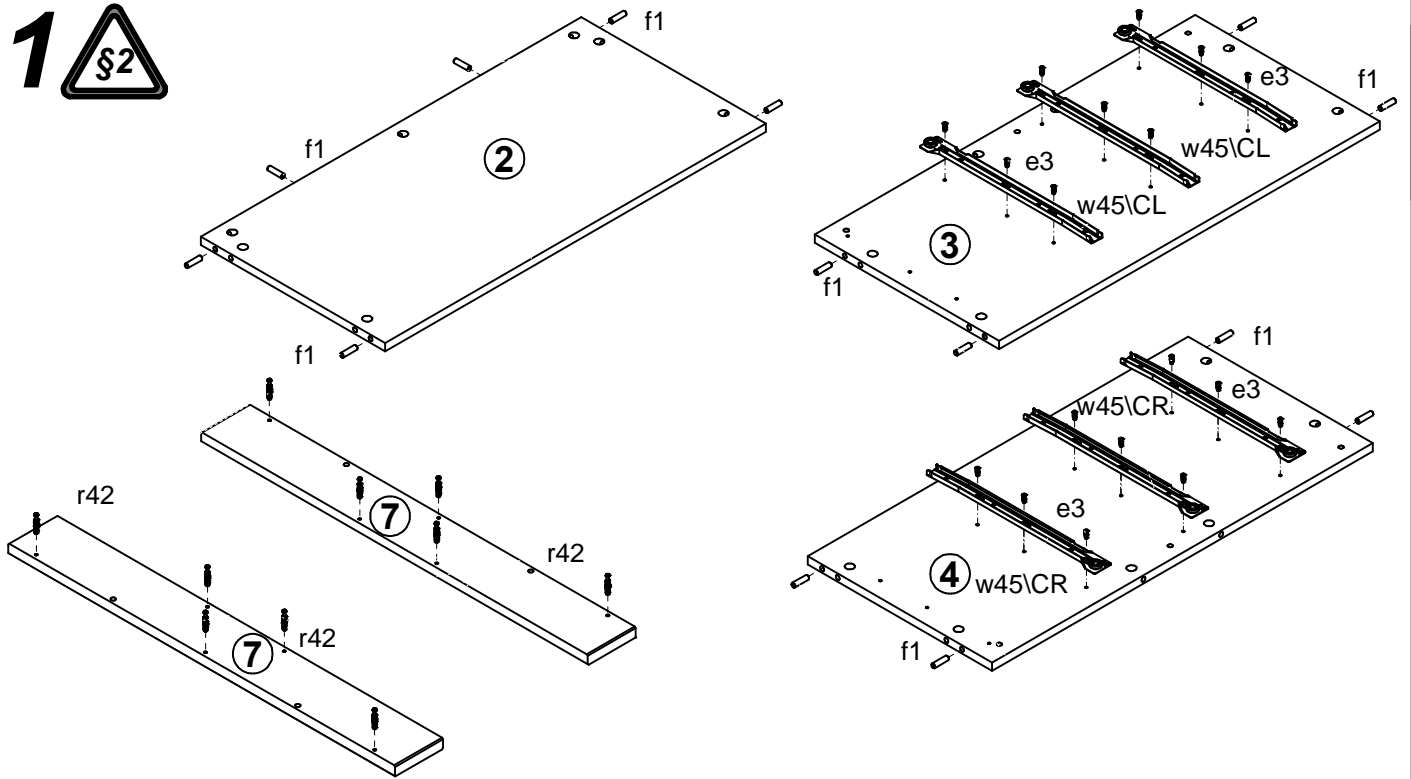


A	B	C		D	A	B	C		D
1	S311-008	796	196	3/3	7	S311-509	804	100	2/3
2	S311-114	784	380	1/3	8	S311-906	775	355	1/3
3	S311-116	784	380	1/3	9	S311-909	995	811	1/3
4	S311-117	784	380	1/3	10	ZS3-5589	753	140	1/3
5	S311-209	1002	402	1/3	11	ZS4-531	350	140	1/3
6	S311-210	1002	402	1/3	12	ZS4-532	350	140	1/3

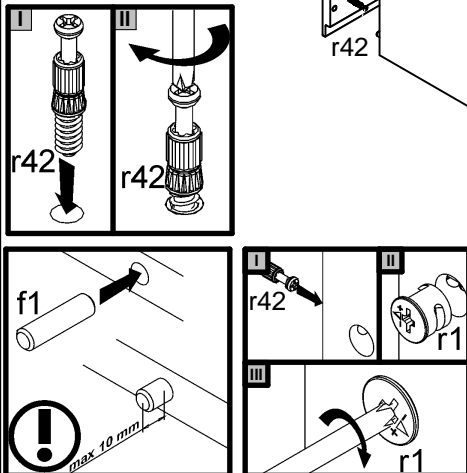
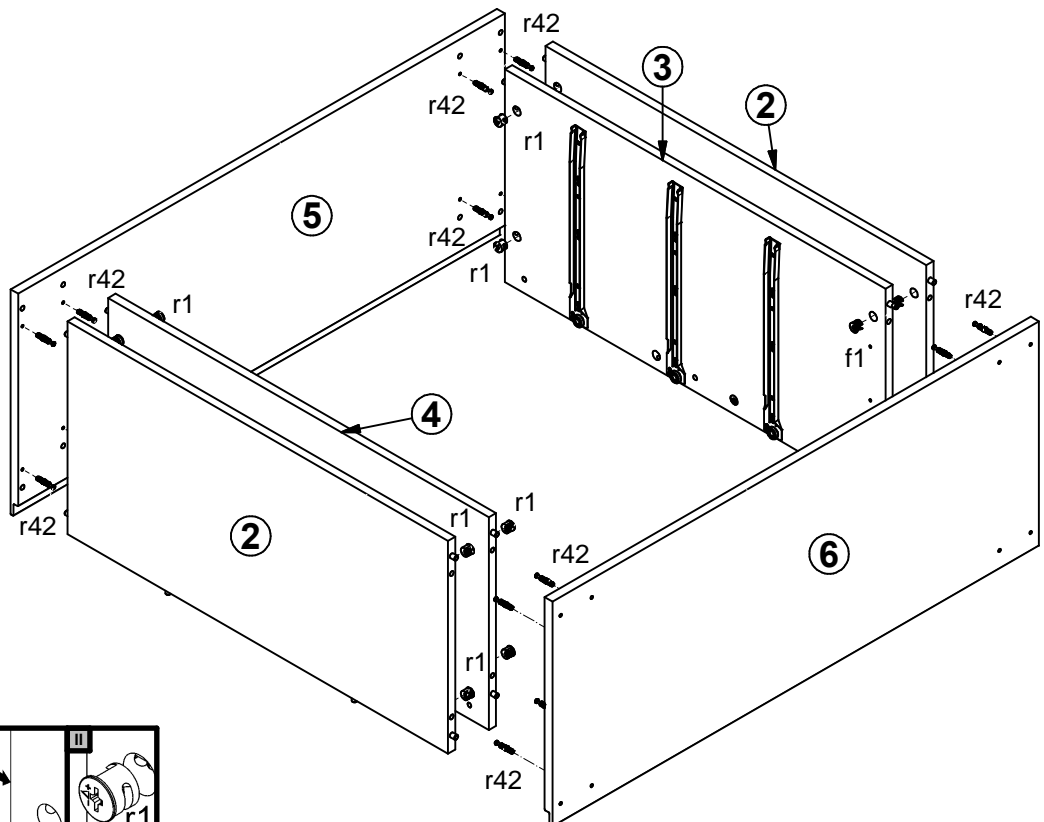


4x 128mm c392	16x Ø5x9 mm e19	24x Ø6x13 mm e3	8x Ø6x22 mm e31	20x Ø8x30 mm f1	16x Ø6.5x40 mm f25	8x Ø6x30 mm f9	4x k87	54x l1
4x Ø3.5x16 mm p25	4x Ø3.5x10 mm p35	16x Ø3.5x16 mm p38	8x Ø4x25 mm p87	26x Ø15x12 mm #16 r1	16x Ø12x10.5 mm #12 r15	42x r42	4x 350 mm t35	4x 350 mm w45 CL
4x 350 mm w45 CR	4x 350 mm w45 DL	4x 350 mm w45 DR	1x z1	1x n26 1	1x Ø3.5x16 mm p38			

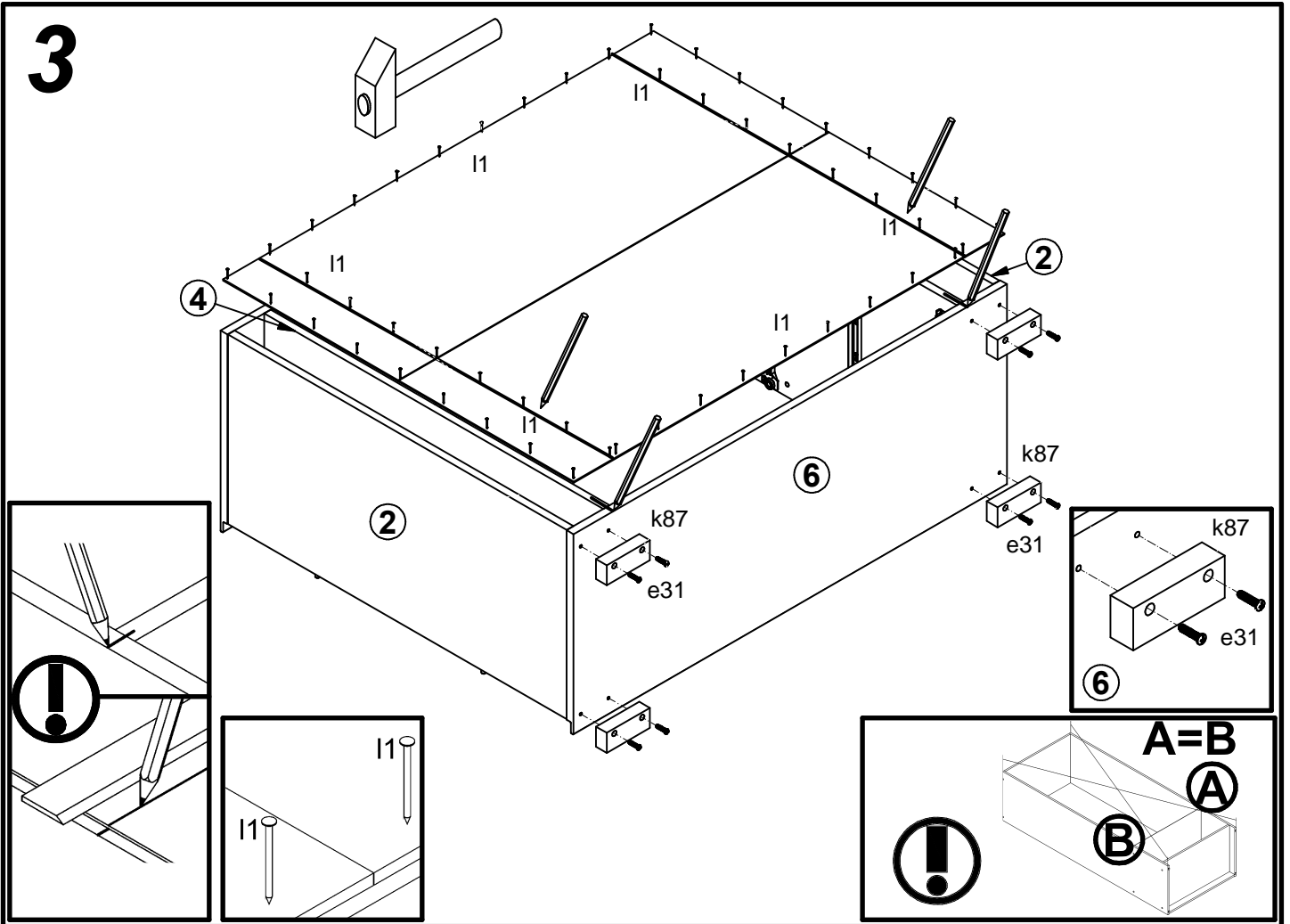
1



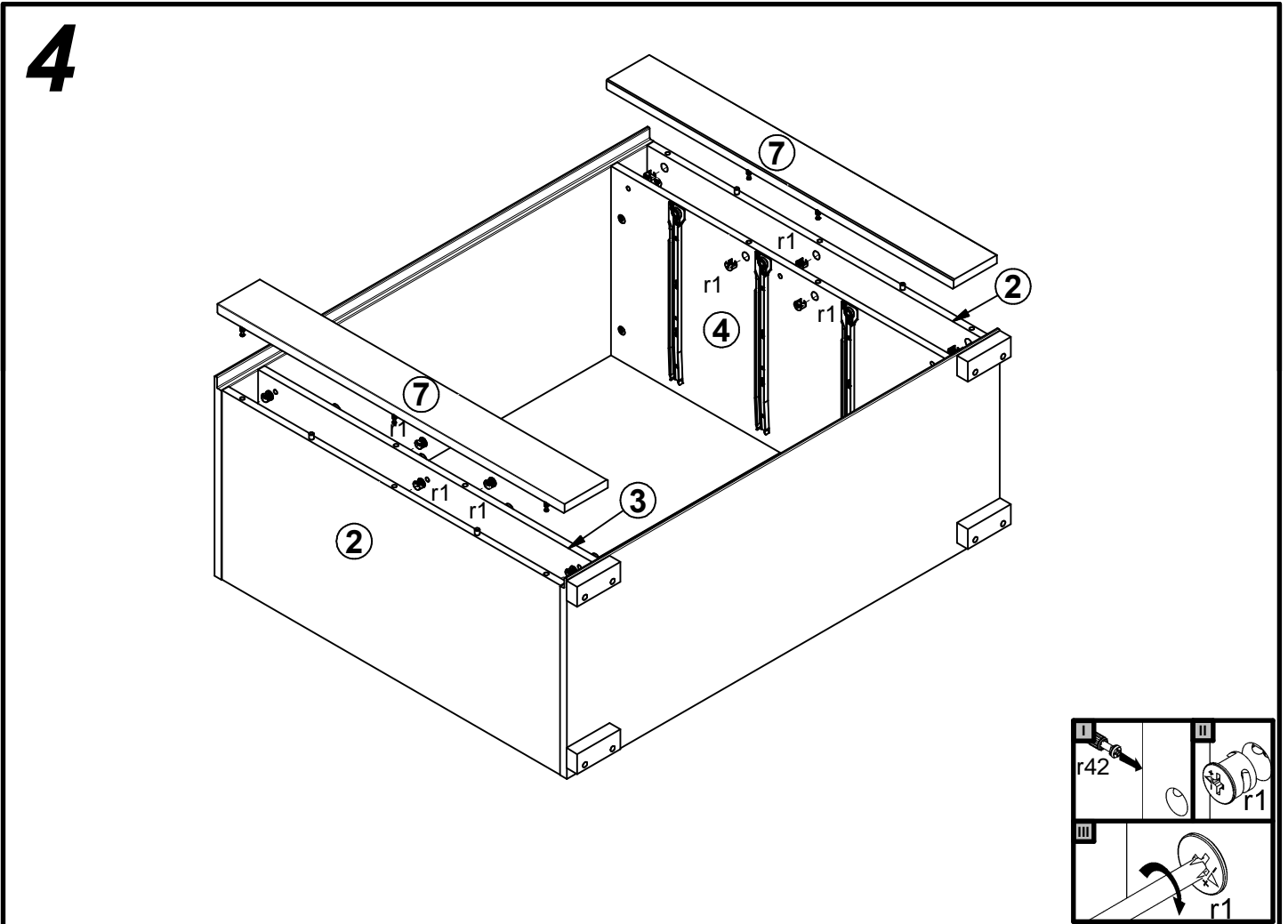
2



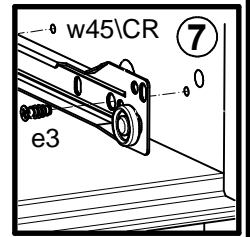
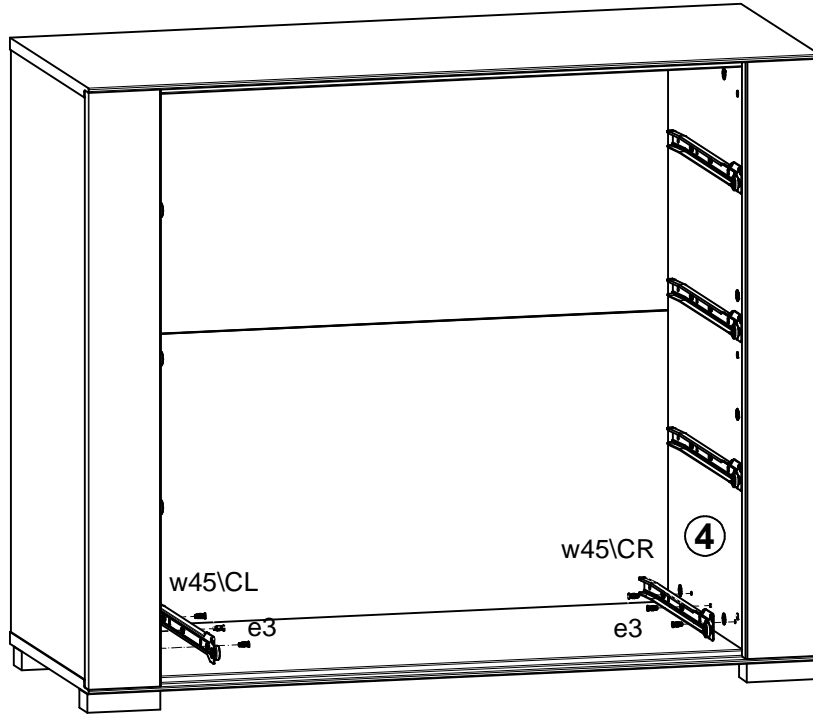
3



4

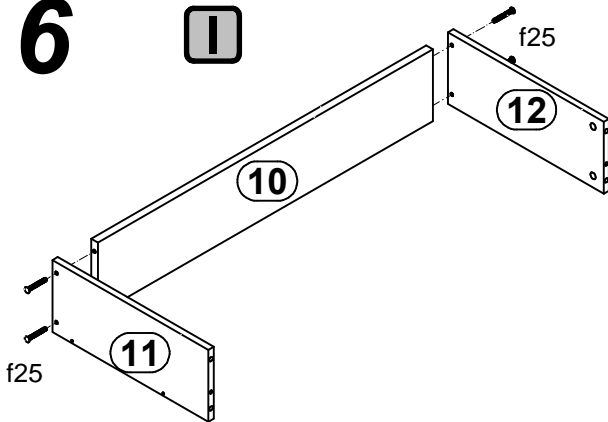


5

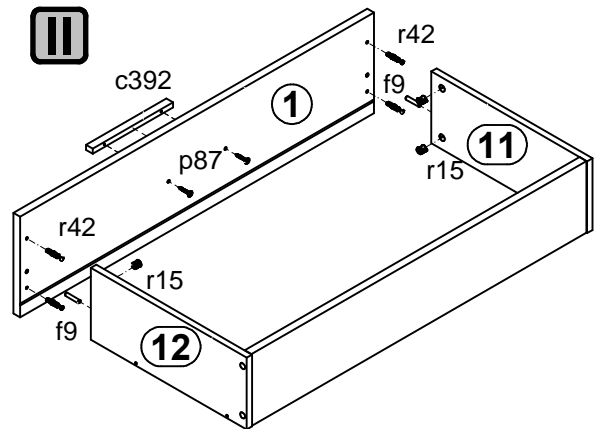


6

I



II



III

